



PA2009

LINEAR INTEGRATED CIRCUIT

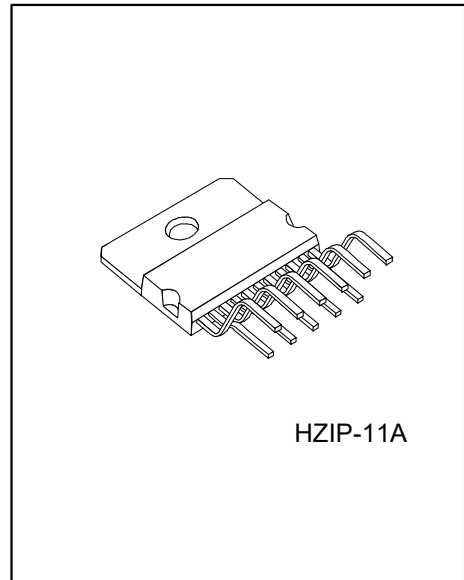
10 +10W STEREO AMPLIFIER

DESCRIPTION

The UTC **PA2009** is a class AB stereo audio power amplifier that contains two identical amplifiers capable of delivering 10W per channel. It is designed for quality Hi-Fi stereo application which is easy to construct and has a minimum need of external components.

FEATURES

- * Supply range 8V ~ 28V
- * High power outputs (10W/Channel)
- * High output current up to 3.5A
- * Short circuit protection
- * Thermal protection

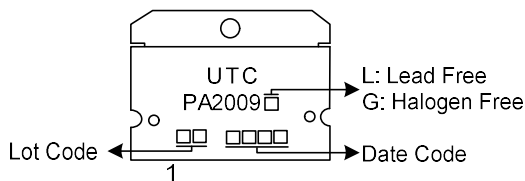


ORDERING INFORMATION

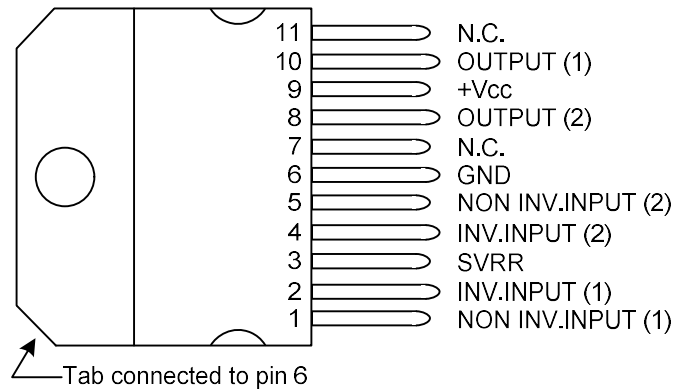
Ordering Number		Package	Packing
Lead Free	Halogen Free		
PA2009L-J11-A-T	PA2009G-J11-A-T	HZIP-11A	Tube

<p>PA2009G-J11-A-T</p> <p>(1) Packing Type (2) Package Type (3) Green Package</p>	<p>(1) T: Tube (2) J11-A: HZIP-11A (3) G: Halogen Free and Lead Free, L: Lead Free</p>
---	--

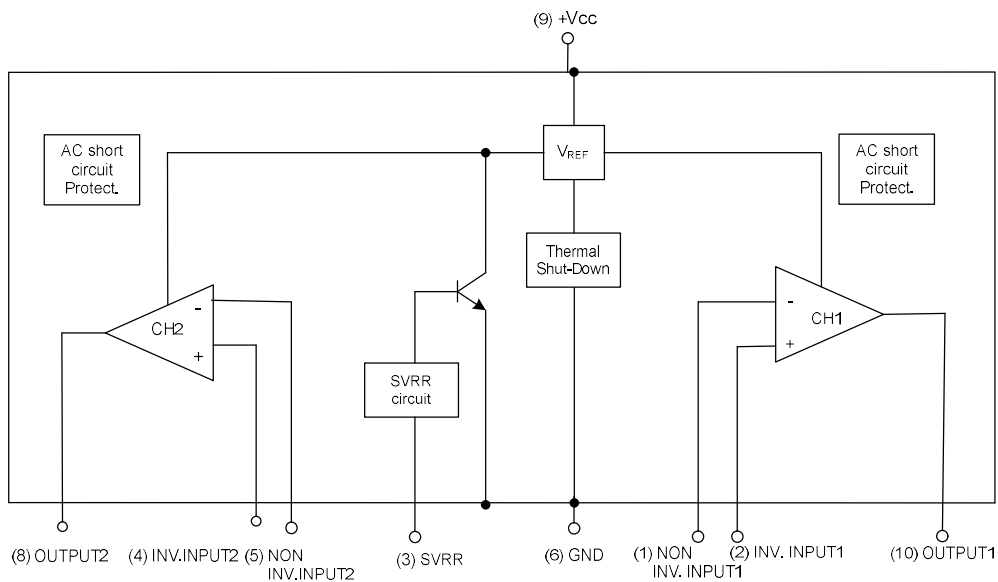
MARKING



■ PIN CONFIGURATION



■ BLOCK DIAGRAM



■ ABSOLUTE MAXIMUM RATINGS

PARAMETER		SYMBOL	RATINGS	UNIT
Supply Voltage		V_{CC}	28	V
Peak Output Current	repetitive, $f \geq 20\text{Hz}$	$I_{O(\text{PEAK})}$	3.5	A
	non repetitive, $t_p=100\mu\text{s}$		4.5	A
Power Dissipation @ $T_C = 90^\circ\text{C}$		P_D	20	W
Junction Temperature		T_J	+150	$^\circ\text{C}$
Storage Temperature		T_{STG}	-40 ~ +150	$^\circ\text{C}$

Note Absolute maximum ratings are those values beyond which the device could be permanently damaged. Absolute maximum ratings are stress ratings only and functional device operation is not implied.

■ THERMAL DATA

PARAMETER	SYMBOL	RATING	UNIT
Thermal Resistance Junction to Case	θ_{JC}	3.0	$^\circ\text{C/W}$

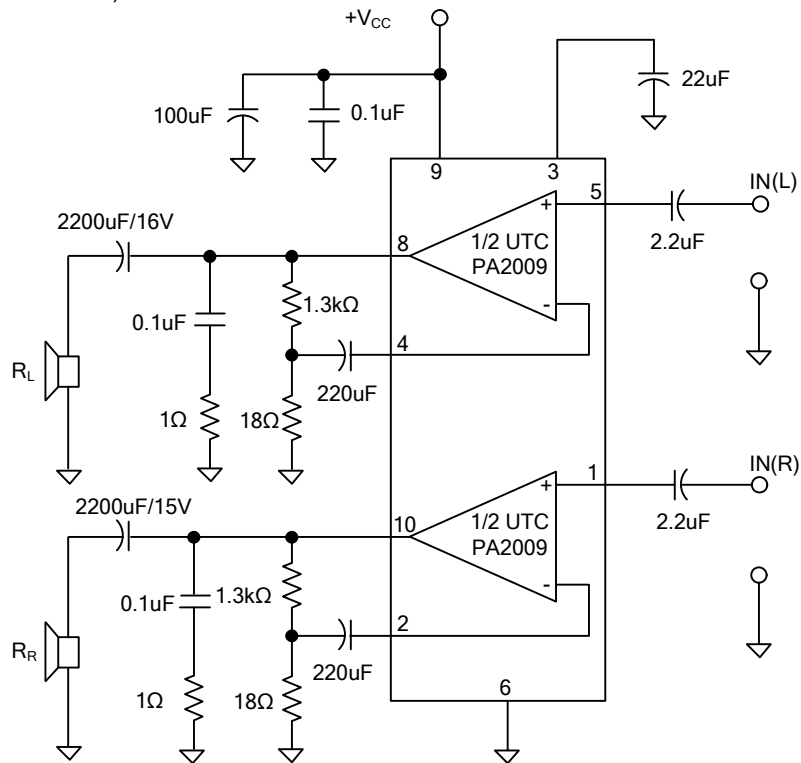
■ ELECTRICAL CHARACTERISTICS

(Refer to test circuit, $T_a = 25^\circ\text{C}$, $V_{CC} = 24\text{V}$, $G_V = 36\text{dB}$, unless otherwise specified)

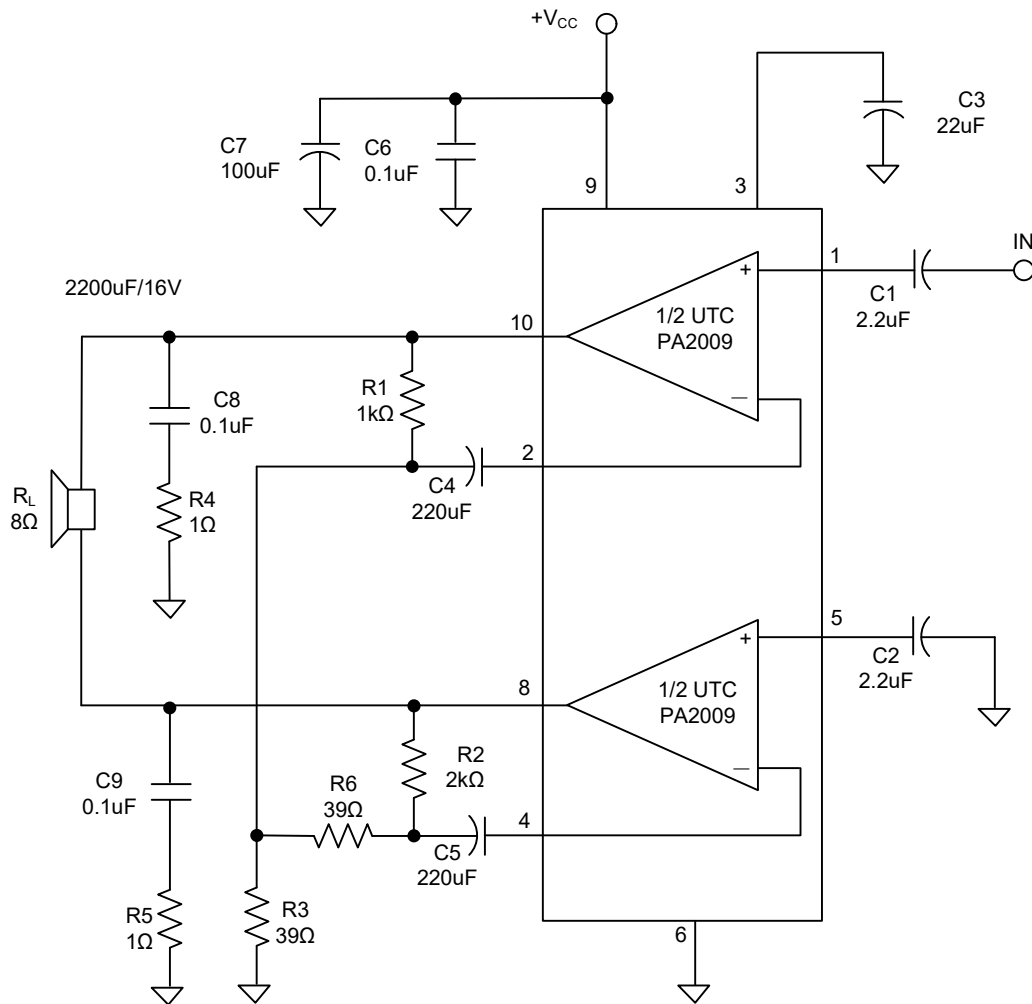
PARAMETER		SYMBOL	TEST CONDITIONS	MIN	TYP	MAX	UNIT	
Supply Voltage		V_{CC}		8		28	V	
Quiescent Output Voltage		V_{OUT}	$V_{CC} = 24\text{V}$		11.5		V	
Input Saturation Voltage (rms)		$V_{IN(\text{SAT})}$		300			mV	
Total Input Noise Voltage		e_N	$R_g = 10\text{K}\Omega$, 22Hz~22KHz		2.5	8	μV	
Total Quiescent Drain Current		I_Q	$V_{CC} = 24\text{V}$		60	120	mA	
Output Power for each channel	$R_L = 4\Omega$	P_{OUT}	THD=1%, $V_{CC}=24\text{V}$, $f=1\text{kHz}$		12.5		W	
	$R_L = 8\Omega$				7		W	
	$R_L = 4\Omega$		$f = 40\text{Hz} \sim 12.5\text{kHz}$		10		W	
	$R_L = 8\Omega$				5		W	
	$R_L = 4\Omega$		$V_{CC} = 18\text{V}$, $f = 1\text{kHz}$			7		W
	$R_L = 8\Omega$					4		W
Total Harmonic Distortion for each channel	$R_L = 4\Omega$	THD	$P_{OUT} = 0.1 \sim 7.0\text{W}$	$f = 1\text{kHz}$, $V_{CC}=24\text{V}$		0.2	%	
	$R_L = 8\Omega$					0.1	%	
	$R_L = 4\Omega$		$P_{OUT} = 0.1 \sim 5.0\text{W}$	$V_{CC}=18\text{V}$		0.2	%	
	$R_L = 8\Omega$					0.1	%	
Input Resistance		R_{IN}	$f = 1\text{kHz}$, Non-Inverting Input	70	200		$\text{k}\Omega$	
Frequency Roll off (-3dB)	Low	f_L	$R_L = 4\Omega$		20		Hz	
	High	f_H	$R_L = 4\Omega$		80		kHz	
Closed Loop Voltage Gain		G_V	$f = 1\text{kHz}$	35.5	36	36.5	dB	
Closed Loop Gain Matching		ΔG_V			0.5		dB	
Cross Talk	$f = 1\text{kHz}$	CT	$R_L = \infty$, $R_g = 10\text{K}\Omega$		60		dB	
	$f = 10\text{kHz}$				50		dB	
Supply Voltage Rejection for each channel		SVR	$f_{\text{RIPPLE}} = 100\text{Hz}$, $V_{\text{RIPPLE}} = 0.5\text{V}$, $R_g = 10\text{k}\Omega$		55		dB	
Thermal Shut-Down Junction Temperature					145		$^\circ\text{C}$	

■ TEST AND APPLICATION CIRCUIT

($G_V = 36\text{dB}$)



■ TEST AND APPLICATION CIRCUIT (Cont.)



UTC assumes no responsibility for equipment failures that result from using products at values that exceed, even momentarily, rated values (such as maximum ratings, operating condition ranges, or other parameters) listed in products specifications of any and all UTC products described or contained herein. UTC products are not designed for use in life support appliances, devices or systems where malfunction of these products can be reasonably expected to result in personal injury. Reproduction in whole or in part is prohibited without the prior written consent of the copyright owner. UTC reserves the right to make changes to information published in this document, including without limitation specifications and product descriptions, at any time and without notice. This document supersedes and replaces all information supplied prior to the publication hereof.