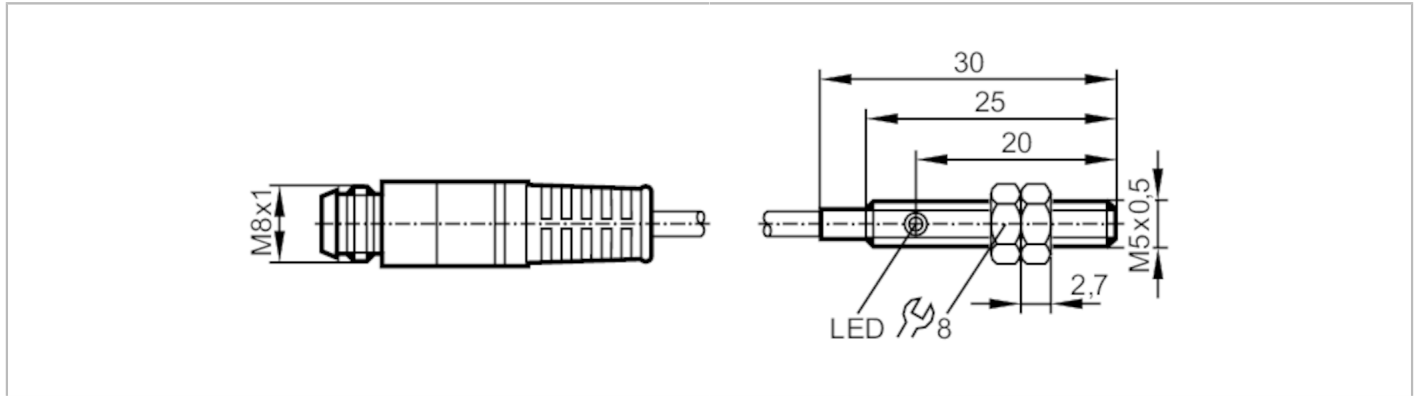


IY5047



Inductive sensor

IYB30,8-BPKG/V2A/0,3M/AS-610-T



Product characteristics		
Electrical design		PNP
Output function		normally open
Sensing range	[mm]	0.8
Housing		threaded type
Dimensions	[mm]	M5 x 0.5 / L = 30
Electrical data		
Operating voltage	[V]	10...36 DC
Current consumption	[mA]	15; (24 V)
Protection class		III
Reverse polarity protection		yes
Outputs		
Electrical design		PNP
Output function		normally open
Max. voltage drop switching output DC	[V]	2.5
Permanent current rating of switching output DC	[mA]	100
Switching frequency DC	[Hz]	2000
Short-circuit protection		yes
Type of short-circuit protection		pulsed
Overload protection		yes
Detection zone		
Sensing range	[mm]	0.8
Real sensing range Sr	[mm]	0.8 ± 10 %
Operating distance	[mm]	0...0.65
Accuracy / deviations		
Correction factor		steel: 1 / stainless steel: 0.7 / brass: 0.4 / aluminium: 0.3 / copper: 0.2
Hysteresis	[% of Sr]	1...15
Switch point drift	[% of Sr]	-10...10

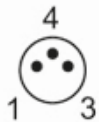
IY5047



Inductive sensor

IYB30,8-BPKG/V2A/0,3M/AS-610-T

Operating conditions		
Ambient temperature	[°C]	-25...70
Protection		IP 65
Tests / approvals		
EMC		EN 60947-5-2
		EN 55011
		class B
MTTF	[years]	953
Mechanical data		
Weight	[g]	16.5
Housing		threaded type
Mounting		flush mountable
Dimensions	[mm]	M5 x 0.5 / L = 30
Thread designation		M5 x 0.5
Materials		stainless steel (1.4305 / 303); POM
Displays / operating elements		
Display	switching status	1 x LED, yellow
Accessories		
Accessories (supplied)		lock nuts: 2
Remarks		
Pack quantity		1 pcs.
Electrical connection - plug		
Cable: 0.3 m, PUR		
Connector: 1 x M8; Locking: snap-fit		



IY5047



Inductive sensor

IYB30,8-BPKG/V2A/0,3M/AS-610-T

Connection

