

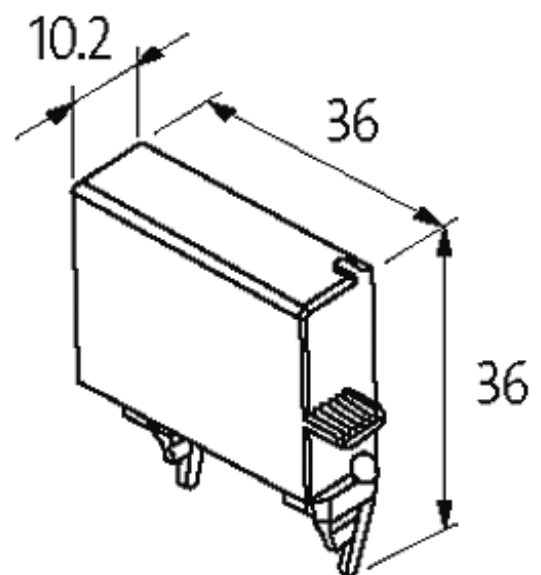
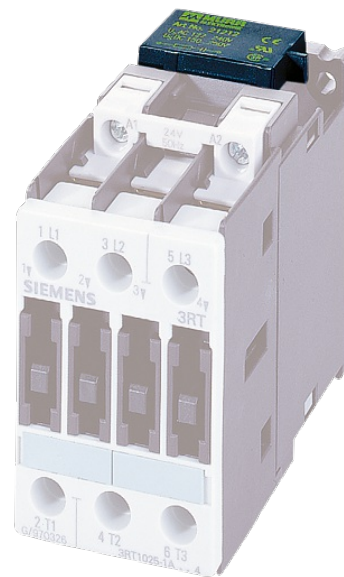
**SIEMENS CONTACTOR SUPPRESSOR**

Diode, 0...240VDC

24 V AC/DC

Diode/Z-Diode

For other configurations and voltages, please inquire

[Link to Product](#)**Illustration**



## Diode/Z-Diode

Product may differ from Image

### Approvals



### Appropriate contactors

3 RT 10.24/25/26

### Technical Data

Damping factor	approx. 1.5 × UN
Material	Flame retardant plastic acc. to (UL 94)
Connection wires	Plug contact

### General data

Dimensions H × W × D	36×36×10.2 mm
Temperature range	-20...+70 °C

### Commercial data

country of origin	CZ
customs tariff number	85363010
minimum order quantity	1