

CE

Model Number

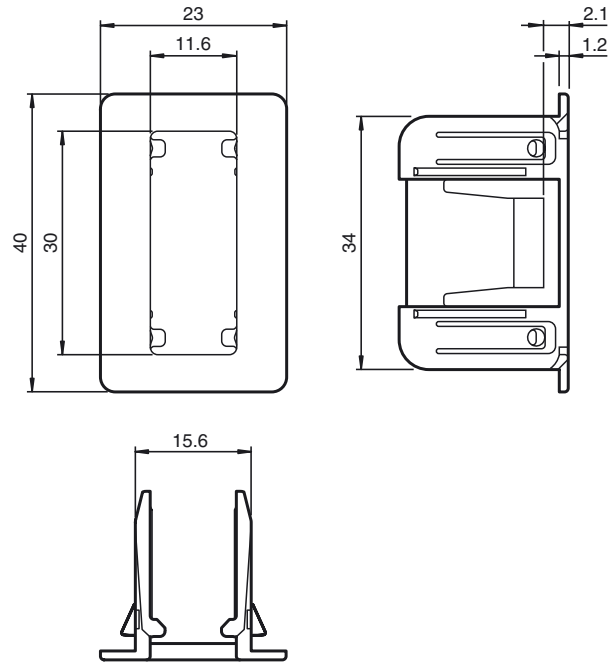
OMH-ML100-08

Mounting aid

Features

- Plug-in bracket
- Simple installation with snap-in fastener

Dimensions



Technical data

Ambient conditions

Ambient temperature -30 ... 70 °C (-22 ... 158 °F)

Mechanical specifications

Material Plastic , clear
 Mass approx. 3 g
 Mounting Snap-in

Suitable series

Series ML100