

MINIATURE IP67 SEALED WIRE-TO-WIRE CONNECTOR

TE Connectivity (TE) introduces the Miniature IP67 Sealed Wire-to-Wire Connector. This IP67 rated connector can withstand the harshest of environments making it suitable for outdoor lighting and other high humidity applications. The Miniature IP67 Sealed Wire-to-Wire Connector features a press-to-release spring latch ensuring that your connector mating is secure. This connector comes in three different colors enabling easy identification and assembly.



Applications

- Outdoor lighting
- Commercial refrigeration lighting
- Kitchen appliances
- HVAC equipment

Electrical

- Current rating:
 - 18 AWG: 5A Max.
 - 20 AWG - 22 AWG: 3.5A Max.
- Voltage rating: 400V AC Max.
- Dielectric Withstanding Voltage: 1800VAC

Mechanical

- Operating Temperature: -40°C to +105°C
- Durability: 30 cycles

Specifications

- Application Specification: [114-137093](#)
- Product Specification: [108-137093](#)
- UL1977 Approval in process

Materials

- Housing: PA, UL 94 V-0
- Contact: Copper Alloy with Tin plating
- Seal: Rubber

Key Benefits

- Compact size design for space saving
- Positive latching prevents inadvertent un-mating of connectors
- Pre-assembled seals reduce assembly time

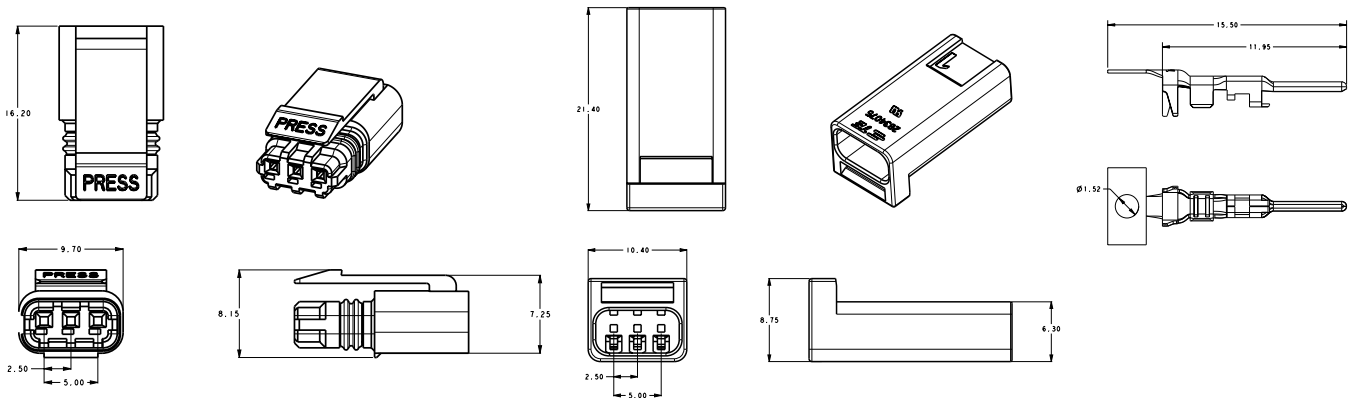
Colors

- Black
- Red
- White

Product Selection Information

Type	Description	Color	Part Number	
	Plug	2 Position Miniature Waterproof Connector	White	1-2834074-2
	Receptacle	2 Position Miniature Waterproof Connector	White	1-2834075-2
	Plug	3 Position Miniature Waterproof Connector	White	1-2834074-3
	Receptacle	3 Position Miniature Waterproof Connector	White	1-2834075-3
	Plug	2 Position Miniature Waterproof Connector	Black	2-2834074-2
	Receptacle	2 Position Miniature Waterproof Connector	Black	2-2834075-2
	Plug	3 Position Miniature Waterproof Connector	Black	2-2834074-3
	Receptacle	3 Position Miniature Waterproof Connector	Black	2-2834075-3
	Plug	2 Position Miniature Waterproof Connector	Red	3-2834074-2
	Receptacle	2 Position Miniature Waterproof Connector	Red	3-2834075-2
	Plug	3 Position Miniature Waterproof Connector	Red	3-2834074-3
	Receptacle	3 Position Miniature Waterproof Connector	Red	3-2834075-3
	Socket Contact	Miniature Waterproof Connector	None	1-2834067-2
	Pin Contact	Miniature Waterproof Connector	None	1-2834068-2

Dimensions



te.com

© 2016 TE Connectivity Ltd. Family of Companies. All Rights Reserved. TE, TE Connectivity, and the TE connectivity (logo) are trademarks of the TE Connectivity Ltd. family of companies. Other logos, product and Company names mentioned herein may be trademarks of their respective owners.
1-1773896-3 JN 9/2016

USA: +1 (800) 522-6752
Canada: +1 (905) 475-6222
Mexico: +52 (0) 55-1106-0800
Latin/S. America: +54 (0) 11-4733-2200
Germany: +49 (0) 6251-133-1999

UK: +44 (0) 800-267666
France: +33 (0) 1-3420-8686
The Netherlands: +31 (0) 73-6246-999
China: +86 (0) 400-820-6015