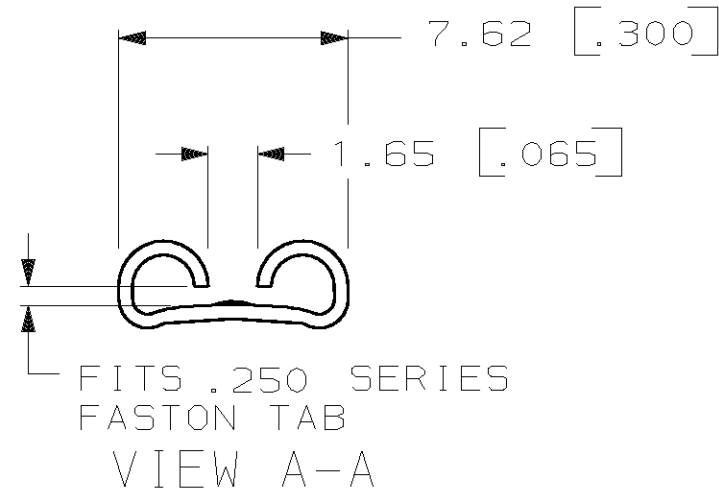
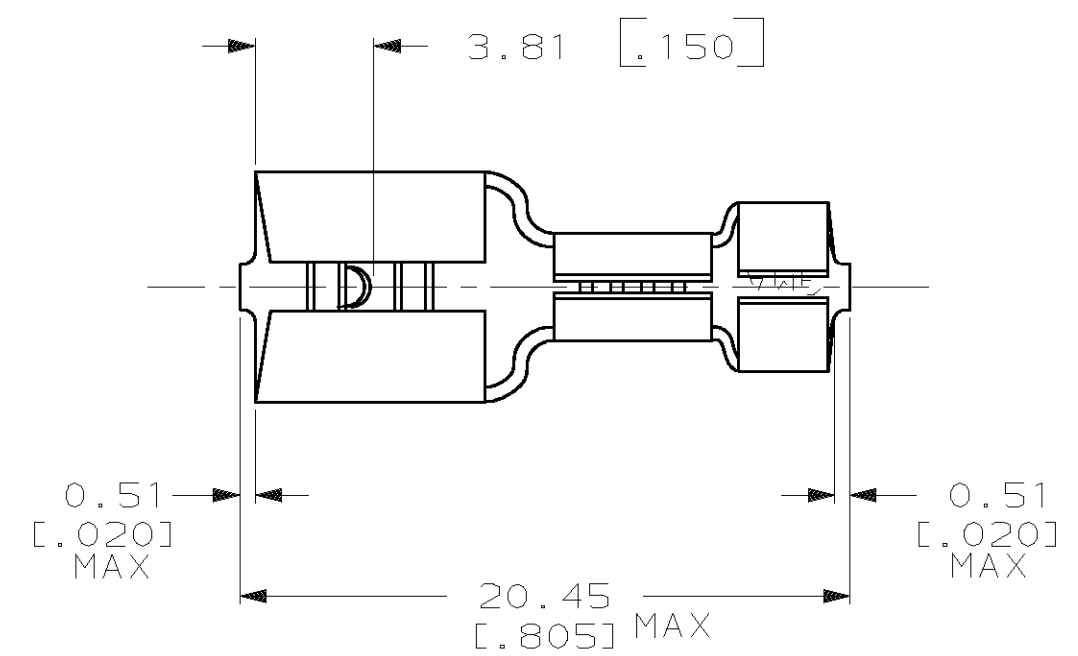
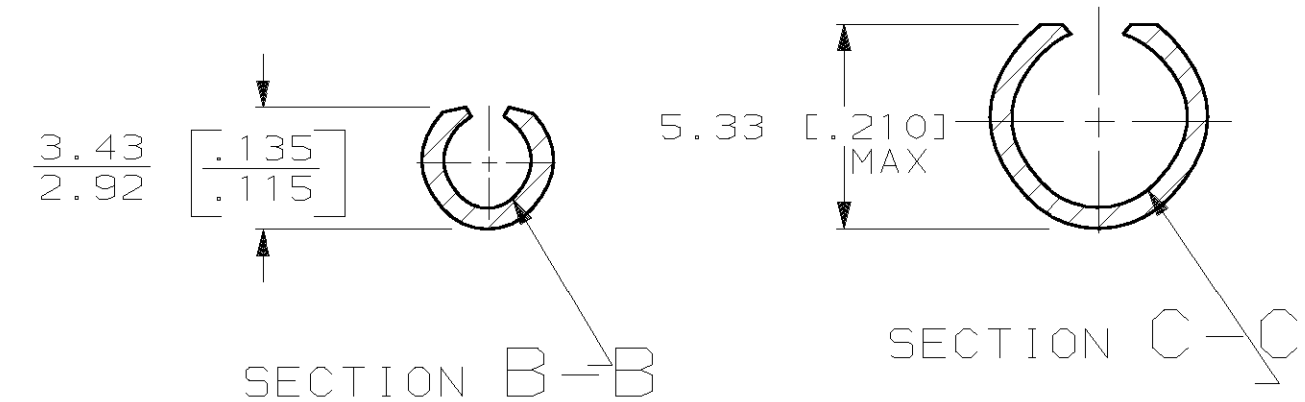
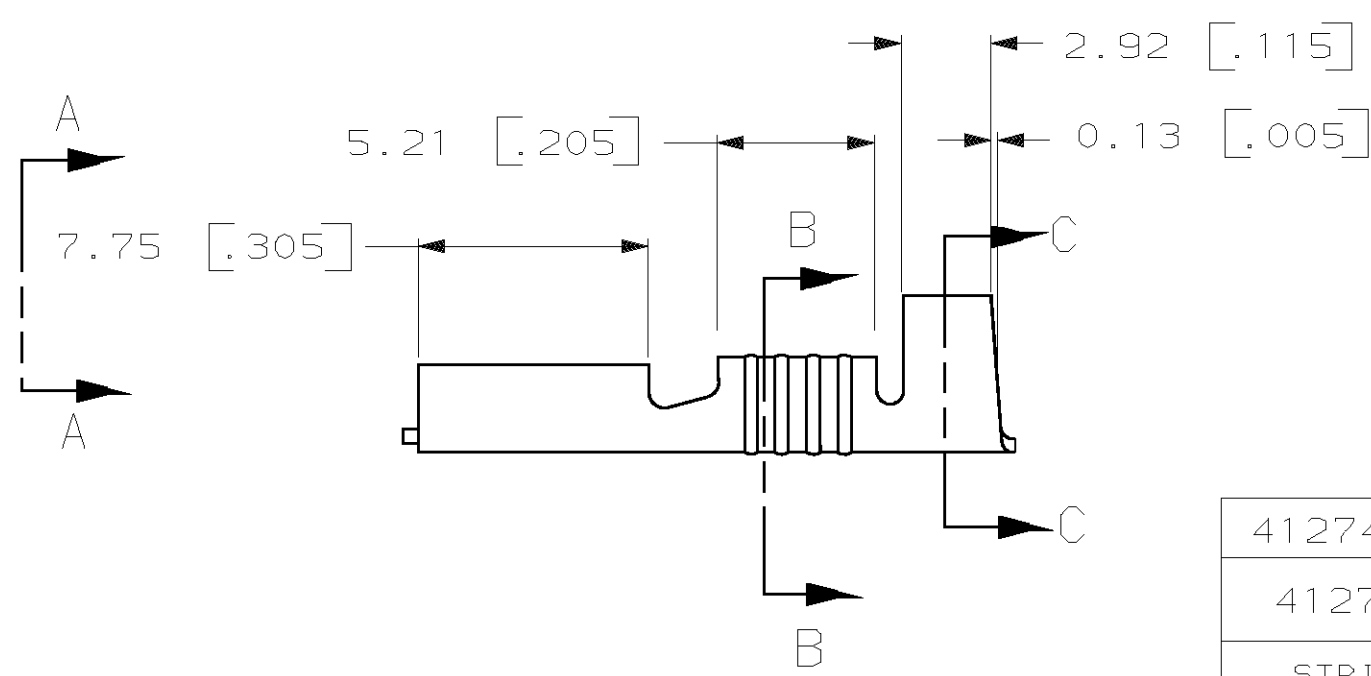


THIS DRAWING IS UNPUBLISHED. RELEASED FOR PUBLICATION, 19 .  
 © COPYRIGHT 19 BY AMP INCORPORATED. ALL INTERNATIONAL RIGHTS RESERVED.

LOC AF	DIST 50	P	F	REVISIONS			DATE	APPD
				ZONE	LTR	DESCRIPTION		
					J	REV PER 0G3A-0811-00	11DEC00	JR/PD



1 SUPPLIED IN LOOSE PIECE  
 2 FOREIGN PRODUCTION ONLY.



41274-1	3.05-3.68	0.8-1.3mm <sup>2</sup>	0.81	△ 41729-2
41274	[.120-.145] DIA	[18-16] AWG	[.032]	41729
STRIP	INSUL RANGE	WIRE SIZE	MATING TAB THK ±0.025 [.001]	PART NO
DO NOT SCALE PRINT. UNLESS SPECIFIED DIMENSIONS IN mm [INCHES] TOLERANCES ON: 2 PLC DEC ± 0.25 [.010] 3 PLC DEC ± - ANGLES ± -		DR 2/11/91 JR RUTH CHK 2/11/91 MS FEHER APPD 2/11/91 C MEYERS APPD 2/11/91 R REINER	AMP AMP Incorporated Harrisburg, PA 17105-3608	
MATERIAL BRASS 0.46 [.018]		PRODUCT SPEC -	NAME RECEPTACLE, FASTON, 6.35 [.250] SERIES	
FINISH TIN .000080 MIN		APPLICATION SPEC -	SIZE B	CAGE CODE 00779
		WEIGHT -	SCALE 4:1	DRAWING NO 41729
			SHEET 1 OF 1	