

# Standard terminal blocks

## Compression clamp

DIN 1 - 3



**Test connector : See Accessories section**

End stop	th. 9 mm	<b>BADL V0</b>	<b>0199 408.02</b>
End stop	th. 9,1 mm	<b>BAM</b>	<b>0103 002.26</b>
Rail	35 x 7,5 x 1	<b>PR30</b> prepunched	<b>0173 220.05</b>
Rail	35 x 15 x 2,3	<b>PR4</b>	<b>0168 500.12</b>
Rail	35 x 15 x 1,5	<b>PR5</b> prepunched	<b>0101 598.26</b>
Rail	32 x 15 x 1,5	<b>PR1Z2</b>	<b>0163 050.04</b>

Other end stops and rails : See Accessories section

### Characteristics

**Wire size**

	IEC	UL	CSA
	NFC DIN		
Compression Solid wire	0,2-4 mm <sup>2</sup>	24-12 AWG	24-12 AWG
Stranded wire	0,22-2,5 mm <sup>2</sup>	24-12 AWG	24-12 AWG

**Voltage**

	800 V	600 V	600 V
Rated			
Pulse	8 kV		
Pollution degree	3		

**Current**

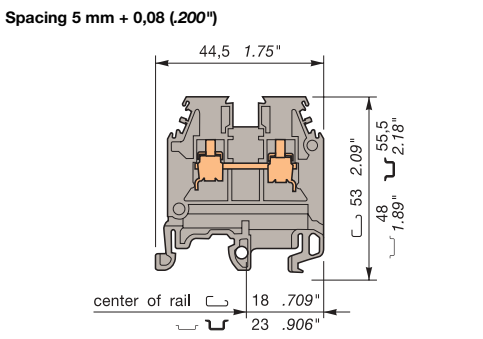
	24 A	30 A	25 A
Rated			

**Wire size**

Rated / Gauge	2,5 mm <sup>2</sup> / A3	12 AWG	12 AWG
Wire stripping length	Recomm. Screwdriver	Recomm. torque	Protection
10 mm	3,5 mm	0,4-0,6 Nm	IP 20
.39"	.137"	3,5-5,3 lb.in	NEMA 1

**Notes**  
The use of some accessories may decrease the block's voltage rating. For more information, consult us.

## MA 2,5/5...



Standard 5 mm block. **0115 486.03**

Color	Type	Part numbers
<b>Standard blocks</b>		
Grey	<b>MA 2,5/5</b>	<b>0115 486.03</b>
Blue	<b>MA 2,5/5.N</b>	<b>0125 486.05</b>
Yellow	<b>MA 2,5/5</b>	<b>0105 486.12</b>
White	<b>MA 2,5/5</b>	<b>0105 052.21</b>
Orange	<b>MA 2,5/5</b>	<b>0105 075.20</b>
Beige V0	<b>MA 2,5/5.V0</b>	<b>0195 486.04</b>
Blue V0	<b>MA 2,5/5.N.V0</b>	<b>0199 010.21</b>



### Accessories

Accessories	Type	Part numbers			
	1 End section	grey blue orange yellow green white beige blue yellow			
	2 End section	grey			
	3 End section	grey			
	4 Circuit separator	grey			
	5 Separator end section	grey blue beige			
	6 Separator end section	grey			
	7 Separator end section	grey			
	8 Separator end section	grey			
	9 Separator end section	grey			
	10 Separator end section (for cover CPV)	grey beige			
	11 Protective cover	grey			
	12 Protective cover	grey			
		13 Test socket	24 A		
		14 Test device	24 A		
		15 Test plug	24 A		
			16 Assembled jumper bar (without IP20 protection)	24 A	
			17 Assembled jumper bar (with IP20 protection)	24 A	
				18 Jumper bar not assembled	24 A
				19 Connector plate	24 A
				20 Screwless jumper bar orange IP 20	24 A
				21 Jumper	24 A
				22 Alternated jumper bar	24 A
	23 Comb-type jumper bar			30 A	
				24 Insulating tip	30 A
				24 Shield connector	th. 0,5 mm th. 0,8 mm
		25 Protection label			

Type	Part numbers
FEM6	th. 2,8 mm <b>0118 368.16</b>
FEM6	th. 2,8 mm <b>0128 368.10</b>
FEM6	th. 2,8 mm <b>0103 126.16</b>
FEM6	th. 2,8 mm <b>0103 062.21</b>
FEM6	th. 2,8 mm <b>0103 125.15</b>
FEM6	th. 2,8 mm <b>0103 312.20</b>
FEM6 V0	th. 2,8 mm <b>0198 368.17</b>
FEM6 V0	th. 2,8 mm <b>0199 302.07</b>
FEM6 V0	th. 2,8 mm <b>0199 305.02</b>
FEM61 (2)	th. 3,0 mm <b>0114 776.23</b>
FEM6C (2)	th. 3,0 mm <b>0114 777.24</b>
SCMA5	<b>0116 728.25</b>
SCF6	th. 3,0 mm <b>0118 707.03</b>
SCF6	th. 3,0 mm <b>0128 707.05</b>
SCF6 V0	th. 3,0 mm <b>0198 707.04</b>
SCF61	th. 3,0 mm <b>0114 202.25</b>
SCFM6 (2)	th. 3,0 mm <b>0114 825.05</b>
SCFEX1 (2)	th. 2,4 mm <b>0103 619.04</b>
SCFEX3 (2)	th. 2,4 mm <b>0103 620.01</b>
SCFCV1-2 (2)	th. 3,0 mm <b>0116 795.11</b>
SCFCV1-2 V0(2)V0	th. 3,0 mm <b>0196 795.12</b>
CPM (for FEM6C, SCF6(V0) and SCFM6)	<b>0187 312.14</b>
CPV1-2 (for SCFCV1-2...)	<b>0176 816.12</b>
AL2 (1)	DIA. 2 mm <b>0163 046.24</b>
DCB	blue <b>0105 028.21</b>
FC2	DIA. 2 mm <b>0007 865.26</b>
BJM5 (1)	2 poles <b>0176 273.01</b>
BJM5 (1)	3 poles <b>0176 274.02</b>
BJM5 (1)	4 poles <b>0176 275.03</b>
BJM5 (1)	5 poles <b>0176 276.04</b>
BJM5 (1)	10 poles <b>0176 277.05</b>
BJM5 (1)	2 poles <b>0176 278.16</b>
BJM5 (1)	3 poles <b>0176 279.17</b>
BJM5 (1)	4 poles <b>0176 280.05</b>
BJM5 (1)	5 poles <b>0176 281.22</b>
BJM5 (1)	10 poles <b>0176 282.23</b>
BJS5 (1)	20 poles <b>0177 652.06</b>
EV5	<b>0168 629.16</b>
EL6	<b>0173 627.21</b>
BJE5.2	2 poles <b>0199 227.23</b>
BJE5.3	3 poles <b>0199 228.04</b>
BJE5.4	4 poles <b>0199 298.03</b>
BJE5.5	5 poles <b>0199 299.04</b>
BJE5.6	6 poles <b>0299 861.03</b>
BJE5.7	7 poles <b>0299 862.04</b>
BJE5.8	8 poles <b>0299 863.05</b>
BJE5.9	9 poles <b>0299 864.06</b>
BJE5.10	10 poles <b>0199 443.24</b>
BJB	<b>0199 466.23</b>
BJA5	10 poles <b>0205 021.26</b>
PC5	2 poles <b>0113 542.10</b>
PC5	10 poles <b>0113 544.12</b>
EIP	<b>0113 550.24</b>
CBM5	th. 0,5 mm <b>0178 745.14</b>
CBM8	th. 0,8 mm <b>0178 746.15</b>
EPU5	<b>0107 033.10</b>

**R** See section on marking method  
 Note : (1) A circuit separator SC may be required with the use of these accessories.  
 (2) End section and circuit separator snapped on rails.