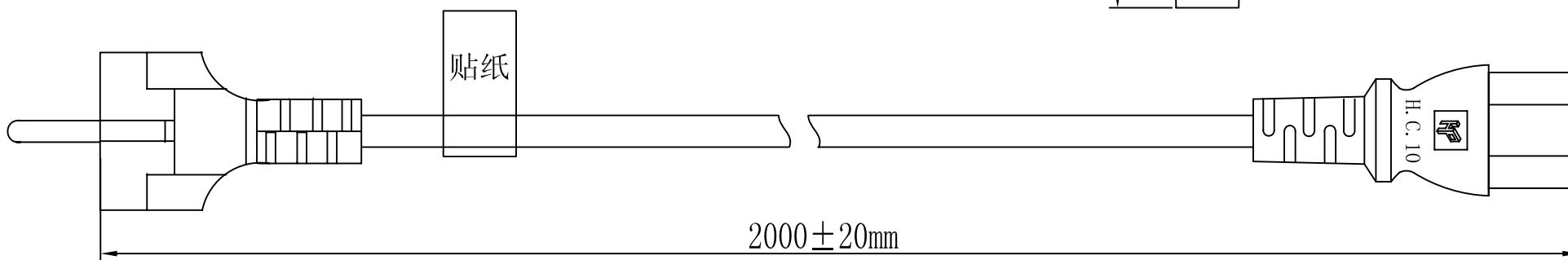
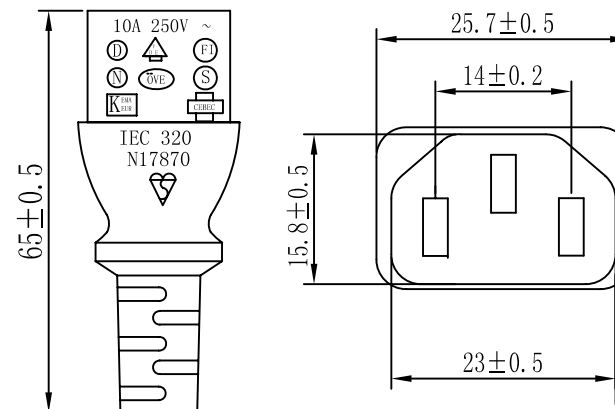
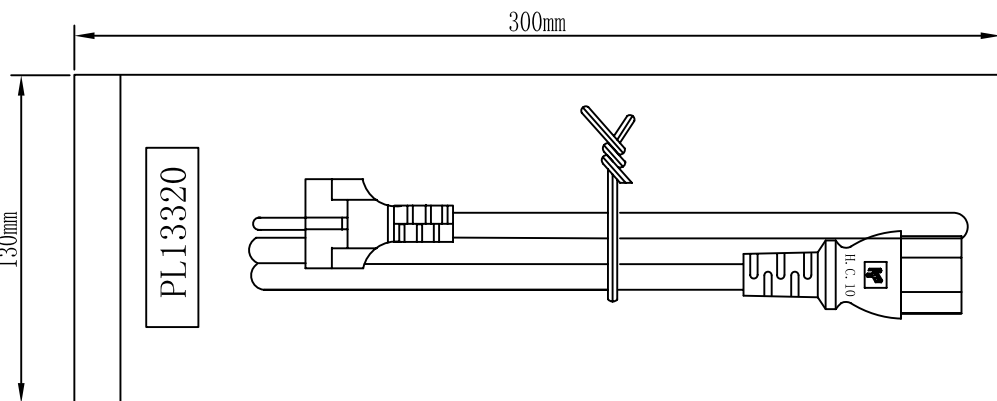


REVISION			
SYM	DESCRIPTION	DATE	APPROVAL

请确认后签回此图纸!



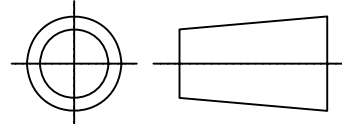
CABLE MARKING: H05VV-F 3G1.0mm² <VDE> N19626 CCC A030116 No.2003010105097406 227 IEC 53(RVV) 300/500V 3X1.0mm² HIGH PROJECT LF

CABLE COLOR: BLACK



UNLESS SPECIFIED ALL DIMENSIONS ARE
IN MM TOLERANCE ON:
FRACTION: DECIMALS: +/-0.10 ANGLE:

SHEET:	1 OF 1	DWG SIZE:	A4
SCALE:	N. T. S	ISSUE NO.	A
DRAWER	Seaman	DATE.	2013-10-11
REVIEW		DATE.	
APPROVAL.		DATE.	



CUSTOMER NAME:	
CUSTOMER ORDER NO:	---
QTY REQ'D PER UNIT:	1

CUST PART NO:	PL13320
DRAWING NO:	H3-B-2AMVB-C10
MODEL NO:	HP-CPC-74