

# SMD Ultra Low Profile Crystal

ABS07L



RoHS/RoHS II Compliant



3.2 x 1.5 x 0.38 mm

Moisture Sensitivity Level (MSL) = Level 1

## FEATURES:

- Lowest height kHz package for 32.768kHz Crystals
- 0.38mm height ideal for high density circuit boards
- Ceramic package offers excellent environmental & heat resistance
- Excellent shock and vibration resistance

## APPLICATIONS:

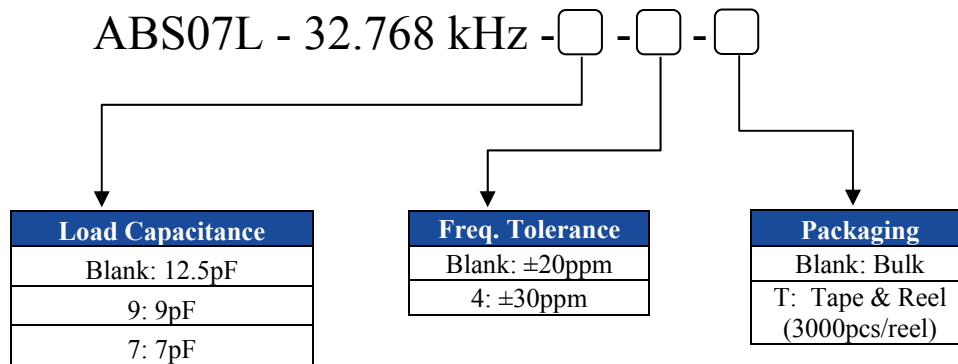
- Wide range in communication & measuring equipment
- Commercial & Industrial applications
- Wireless communications
- PDA and Palm Pilots
- Credit Cards with Security Technology

## STANDARD SPECIFICATIONS:

Parameters	Minimum	Typical	Maximum	Units	Notes
Frequency	32.768			kHz	
Operating Temperature	-40		+85	°C	
Storage Temperature	-55		+125	°C	
Frequency Tolerance @+25°C	-20		+20	ppm	See options
Temperature Coefficient:	-0.035±10%			ppm/C <sup>2</sup>	
Turn-over temperature:	+20	+25	+30	°C	
Equivalent series resistance (R1)		55	80	kΩ	
Shunt capacitance (C0)		1.4		pF	
Motional capacitance (C1)		3.5		fF	
Load capacitance (CL)	12.5			pF	See options
Drive Level			0.5	μW	
Aging@25°C	-3		3	ppm	First year
Insulation Resistance	500			MΩ	

## OPTIONS & PART IDENTIFICATION:

(Left blank if standard)



Note: Please contact Abracon for tighter Freq. tolerance

# SMD Ultra Low Profile Crystal

ABS07L

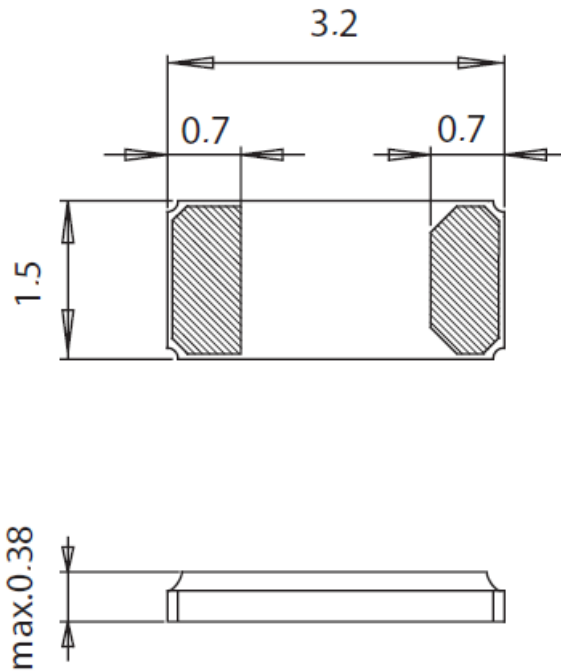


RoHS/RoHS II Compliant

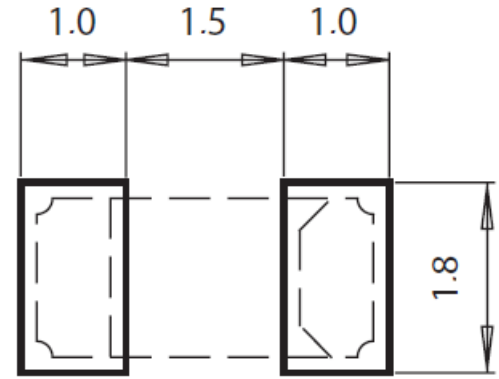


3.2 x 1.5 x 0.38 mm

## OUTLINE DRAWING:

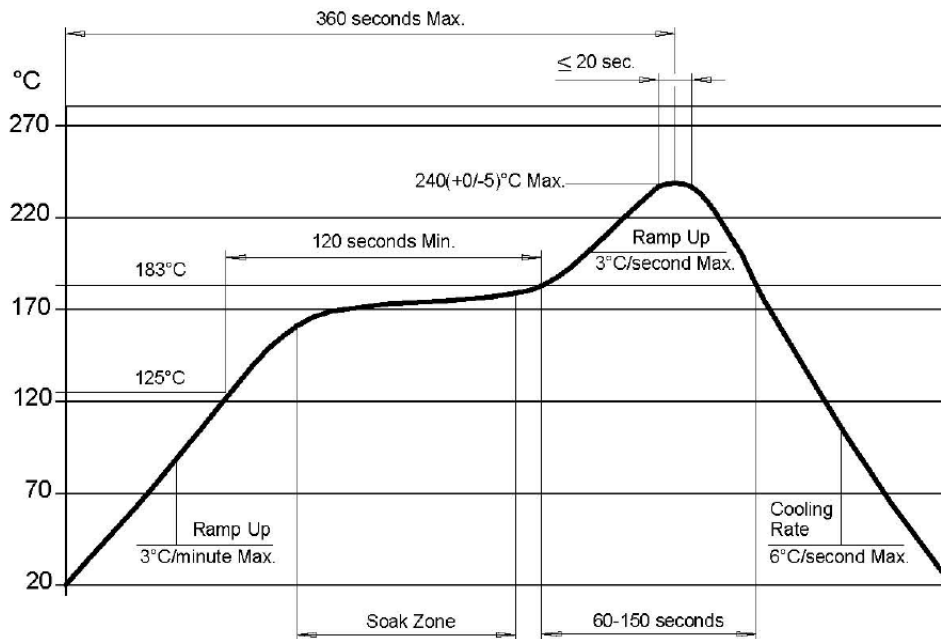


### Recommended Land Pattern



**Dimensions: mm**  
**All Dimensions are typical values.**

## RECOMMENDED REFLOW PROFILE:



# SMD Ultra Low Profile Crystal

ABS07L



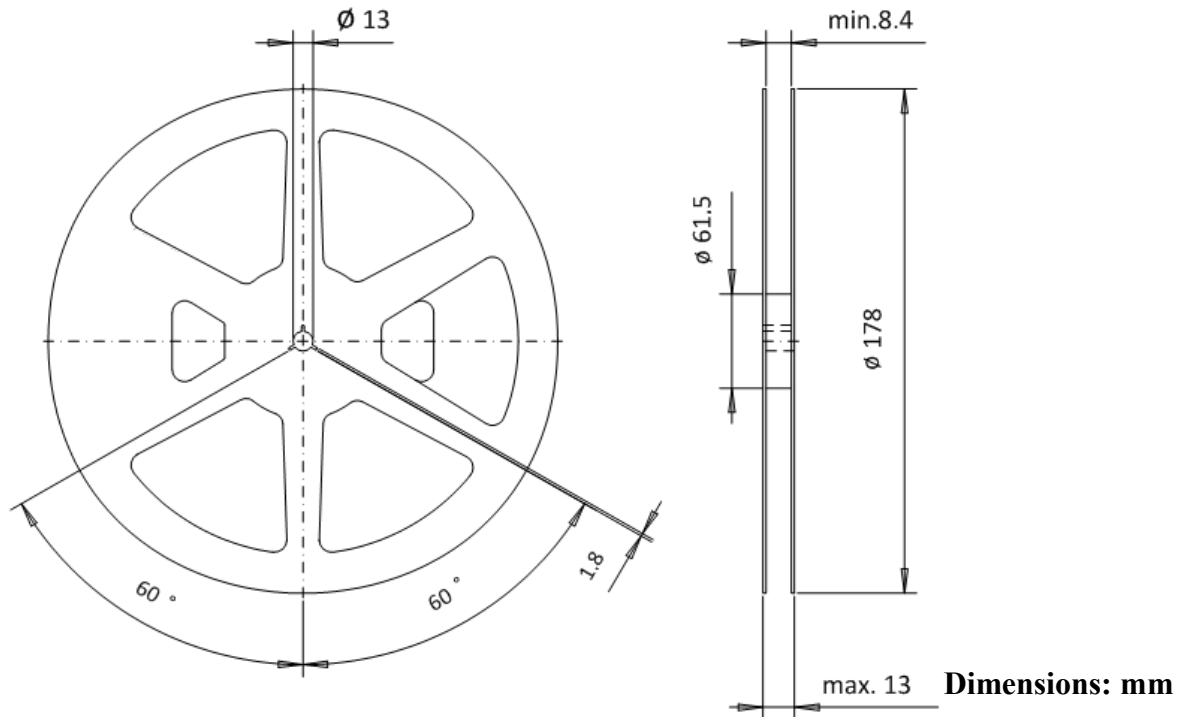
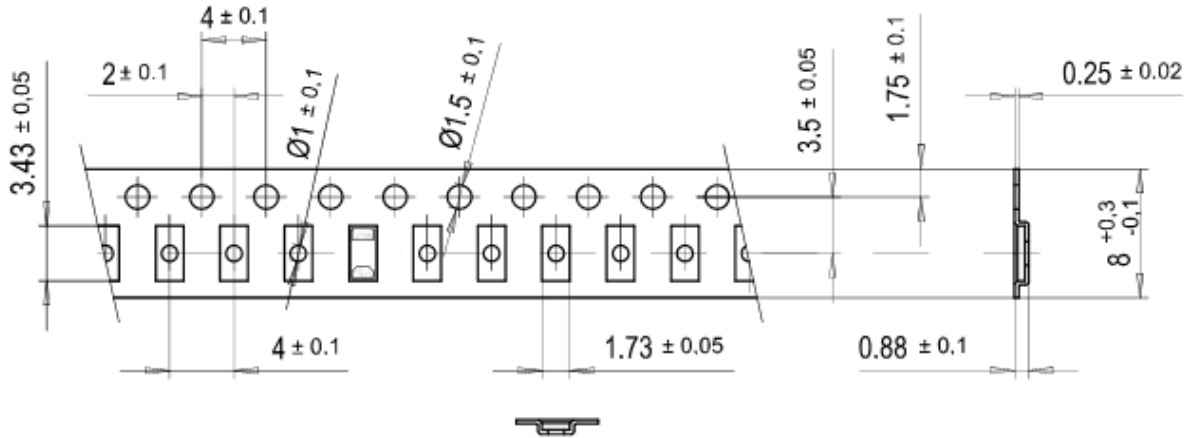
RoHS/RoHS II Compliant



3.2 x 1.5 x 0.38 mm

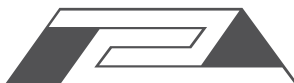
## TAPE & REEL:

Packaging: T= Tape & Reel (3000pcs/reel)



**ATTENTION:** Abracon Corporation's products are COTS – Commercial-Off-The-Shelf products; suitable for Commercial, Industrial and, where designated, Automotive Applications. Abracon's products are not specifically designed for Military, Aviation, Aerospace, Life-dependant Medical applications or any application requiring high reliability where component failure could result in loss of life and/or property. For applications requiring high reliability and/or presenting an extreme operating environment, written consent and authorization from Abracon Corporation is required. Please contact Abracon Corporation for more information.

ABRACON IS  
ISO9001:2008  
CERTIFIED



**ABRACON**  
CORPORATION

Visit [www.abracon.com](http://www.abracon.com) for Terms & Conditions of Sale **Revised: 02.07.13**  
30332 Esperanza, Rancho Santa Margarita, California 92688  
tel 949-546-8000 | fax 949-546-8001 | [www.abracon.com](http://www.abracon.com)