

**PLEASE CHECK WWW.MOLEX.COM FOR LATEST PART INFORMATION**

**Part Number:** [0874380543](#)  
**Status:** **Active**  
**Overview:** Pico-SPOX Wire-to-Board Connector System  
**Description:** 1.50mm Pitch Pico-SPOX Wire-to-Board Header, Surface Mount, Right-Angle, Shrouded, Nylon, 5 Circuits, Embossed Tape on Reel, Beige

**Documents:**

[3D Model](#) [Packaging Specification SPK-87438-001-001 \(PDF\)](#)  
[Drawing \(PDF\)](#) [RoHS Certificate of Compliance \(PDF\)](#)  
[Product Specification PS-87437-001-001 \(PDF\)](#)

**Agency Certification**

CSA LR19980  
 UL E29179

**General**

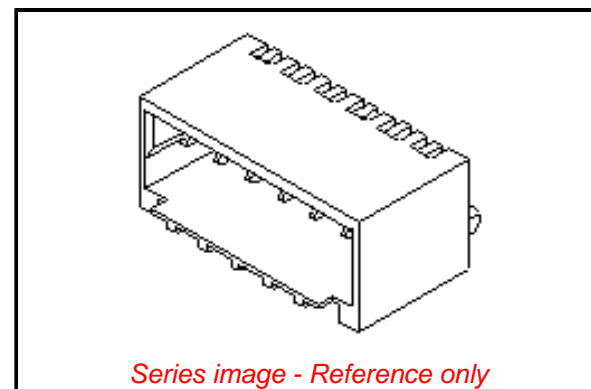
Product Family PCB Headers  
 Series [87438](#)  
 Application Signal, Wire-to-Board  
 Overview Pico-SPOX Wire-to-Board Connector System  
 Product Name Pico-SPOX  
 UPC 822348438938

**Physical**

Breakaway No  
 Circuits (Loaded) 5  
 Circuits (maximum) 5  
 Color - Resin Beige  
 Durability (mating cycles max) 10  
 First Mate / Last Break No  
 Flammability 94V-0  
 Glow-Wire Capable No  
 Guide to Mating Part No  
 Keying to Mating Part Yes  
 Lock to Mating Part Yes  
 Material - Metal Brass  
 Material - Plating Mating Tin over Nickel  
 Material - Plating Termination Tin over Nickel  
 Material - Resin High Temperature Thermoplastic  
 Net Weight 269.000/mg  
 Number of Rows 1  
 Orientation Right Angle  
 PCB Locator No  
 PCB Retention None  
 Packaging Type Embossed Tape on Reel  
 Pitch - Mating Interface 1.50mm  
 Plating min - Mating 2.540µm  
 Plating min - Termination 2.540µm  
 Polarized to Mating Part Yes  
 Polarized to PCB No  
 Shrouded Fully  
 Stackable No  
 Temperature Range - Operating -55° to +105°C  
 Termination Interface: Style Surface Mount

**Electrical**

Current - Maximum per Contact 2.5A



*Series image - Reference only*

**EU ELV**

**Not Relevant**

**EU RoHS**

**Compliant**

**REACH SVHC**

Not Contained Per -  
 ED/61/2018 (27 June  
 2018)

**Halogen-Free**

**Status**

**Not Low-Halogen**

For more information, please visit [Contact US](#)

China ROHS

ELV

RoHS Phthalates

**China RoHS**

Green Image

Not Relevant

Not Contained

**Search Parts in this Series**

[87438](#) Series

**Mates With**

[87439](#) Pico-SPOX Wire-to-Board Housing

Voltage - Maximum

250V

**Material Info**

**Reference - Drawing Numbers**

Packaging Specification

SPK-87438-001-001

Product Specification

PS-87437-001-001

Sales Drawing

SD-87438-001

This document was generated on 09/28/2018

**PLEASE CHECK [WWW.MOLEX.COM](http://WWW.MOLEX.COM) FOR LATEST PART INFORMATION**