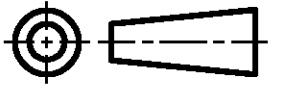


DO NOT SCALE

DIMENSIONS IN mm

METRIC

THIRD ANGLE PROJECTION



NOTES:

- 1 THIS RECEPTACLE ACCEPTS SIZE 20 REC. CONTACTS.
- 2 MAXIMUM WIRE INSULATION RECOMMENDED FOR USE WITH THIS RECEPTACLE IS 1,73 DIA. MAX..
- 3 RETENTION TINES ARE AN INTEGRAL PART OF INSERT.
- 4 FOLLOWING INSERTION/REMOVAL TOOLS ARE RECOMMENDED FOR USE WITH THESE CONNECTORS:

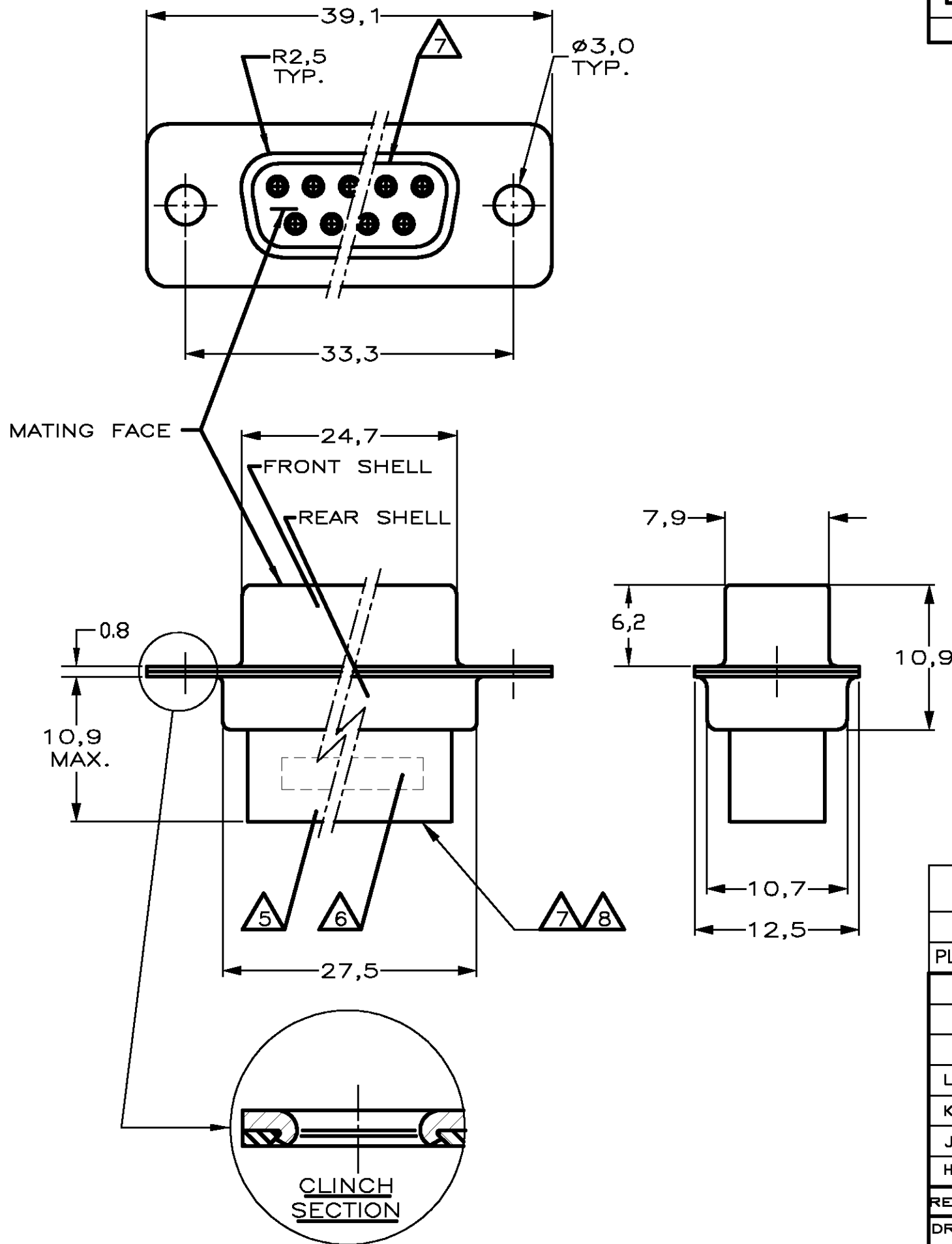
- 32-28AWG/28-24AWG CONTACTS
 - 91067-3 INSERTION/REMOVAL
 - 726363-1 INSERTION ONLY
- 24-20AWG CONTACTS
 - 726363-1 INSERTION ONLY
 - 726364-1 REMOVAL ONLY

5 INSERTS: GLASSFILLED SELF-EXTINGGUISHING PBT, COLOR BLACK.

6 AMP DATE CODE, AMP PART NUMBER, INK STAMPED.

7 RAISED CAVITY IDENTIFICATION 0,8 HIGH.

8 RAISED CAVITY IDENTIFICATION NUMBERS ON WIRE SIDE ARE WHITENED FOR 164532-9.



BRIGHT TIN	BRIGHT TIN	STEEL	164532-9	8
BRIGHT TIN	BRIGHT TIN	STEEL	164532-4	
PLATING FRONT SHELL	PLATING REAR SHELL	MATERIAL SHELLS	PARTNUMBER	
CUSTOMER DRAWING				FOR REFERENCE ONLY WILL NOT BE UPDATED
© COPYRIGHT 19 - BY AMP HOLLAND B.V.				
ALL INTERNATIONAL RIGHTS RESERVED. AMP PRODUCTS MAY BE COVERED BY U.S. AND FOREIGN AND/OR PATENTS PENDING.				
THIS DRAWING IS UNPUBLISHED				
RELEASED FOR PUBLICATION				19
L	SR10-0547-02	KV	24 OCT 02	
K	SR10-0382-02	KV	23 AUG 02	
J	SR10-0247-02	KV	23 MAY 02	
H	EH-0314-99	D.K.	11 FEB 99	
REV.	REVISION RECORD	DR.	CHK.	
DR.:	D.KESSLER	CHK.:	W.SOOMERS	APP.: W.SOOMERS
DATE:	11 FEB 99	DATE:	-	DATE:
DWG.No.		REV.LTR.		SHEET
C 164532		L		1 OF 1
				A3

8

7

6

5

4

3

2

1