



The DNA of tech.™

Product Change Notification



Product Group: TC/Thu Jan 11, 2024/PCN-TC-010-2023-REV-0

Addition of Lot ID code to product marking for T59/T54 family. Unify CAP marking designation.

For further information, please contact your regional Vishay office.

CONTACT INFORMATION

Americas

David Bellomy
7557 Rambler Road, Suite 575
-
Dallas TX United States 75231-4142
Phone: (254)479-0010
Fax: +1 214-363-9444
David.Bellomy@vishay.com

Europe

Albert Mallet
New Industrial Park, P.O.B 87
-
Dimona Israel 8610002
Phone: +972-8-656-1112
Fax: +972-8-655-8360
Albert.Mallet@Vishay.com

Asia

Boon Hooi Tan
37A Tampines Street 92, #07-00
-
Singapore Singapore 528886
Phone: +6567807759
Fax: +6567807749
Boonhooi.Tan@Vishay.com

Description of Change: Add four-digit Lot ID code to capacitor marking in order to provide individual unit traceability. Unify CAP marking designation from plain to coding style.

Reason for Change: Improvement of individual unit traceability. Unification of CAP marking designation.

Expected Influence on Quality/Reliability/Performance: No.

Part Numbers/Series/Families Affected: T54EE*, T59EE*,

Vishay Brand(S): Vishay

Time Schedule:

Start Shipment Date: Wed Jul 10, 2024

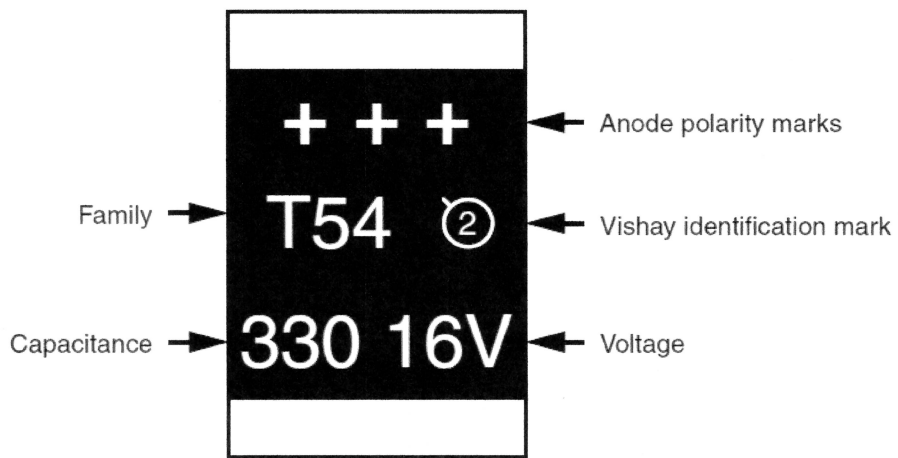
Sample Availability: Upon Request

Product Identification: Not Applicable

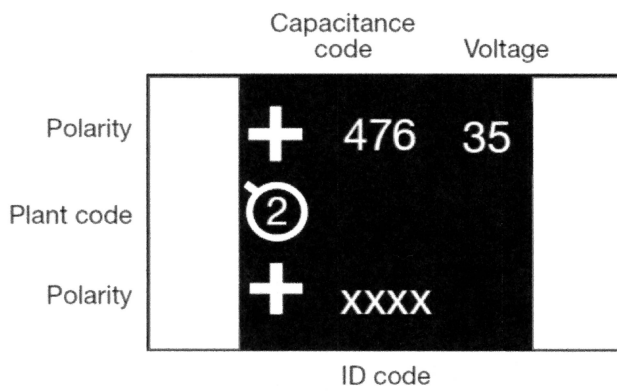
Qualification Data: Not Applicable

This PCN is considered approved, without further notification, unless we receive specific customer concerns before Sat Feb 10, 2024 or as specified by contract.

Issued By: Stangrit, Yuri, Yuri.Stangrit@vishay.com



Previous marking



New marking