



## Product Change Notification – 2023/63

Product Line:	<b>opticalCON® PLUG XLR</b>	Part No:	-
---------------	-------------------------------------	----------	---

Piece Part:	Bushing	Part No:	1014016
-------------	---------	----------	---------

Engineering Change Request:	2022-0940	Date:	21 Dec 2023
-----------------------------	-----------	-------	-------------

Comments:	Bushing redesigned
-----------	--------------------

Affected products:	BXX-14 NC10FRX-14-B NC10FXX-14-B NC10FXX-14-B-D NC10MRX-14-B NC10MXX-14-B NC3FXX-14 NC3FXX-14-B NC3FXX-14-BAG NC3FXX-14-BAG-D NC3FXX-14-B-D NC3FXX-14-D NC3MXX-14 NC3MXX-14-B NC3MXX-14-BAG NC3MXX-14-BAG-D NC3MXX-14-B-D NC3MXX-14-D NC3MXX-14-LES NC5FXX-14-BAG-D NC5MXX-14-BAG-D NKO****-L-*-* NO*****-L-KIT NO***-L NO2X-LJ NP2XL NP2XL-SC-DOM NP3XL
--------------------	---

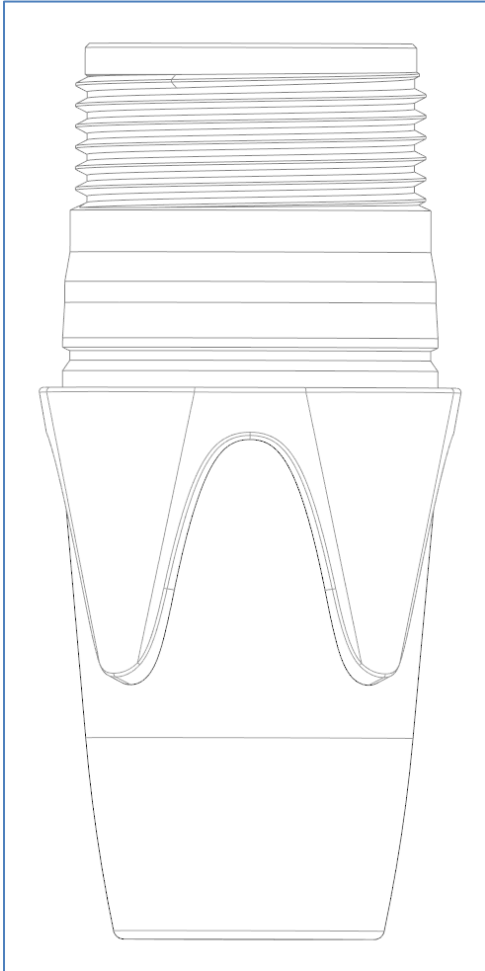
First shipment of modified product:	Q49
-------------------------------------	-----



## Engineering Change Notice

Neutrik logo has been added to exterior of bushing, to ensure better recognizability.

**OLD**



**NEW**

