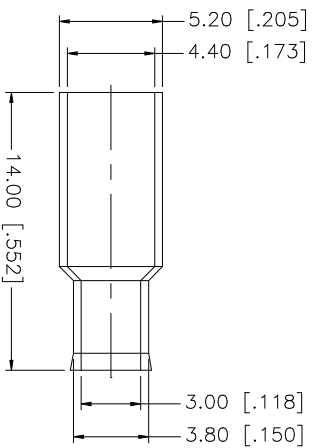
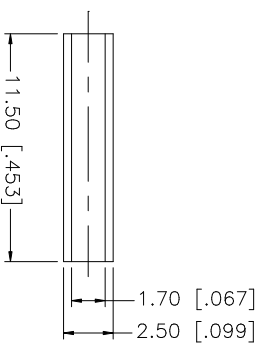
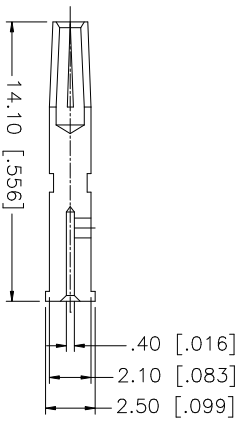
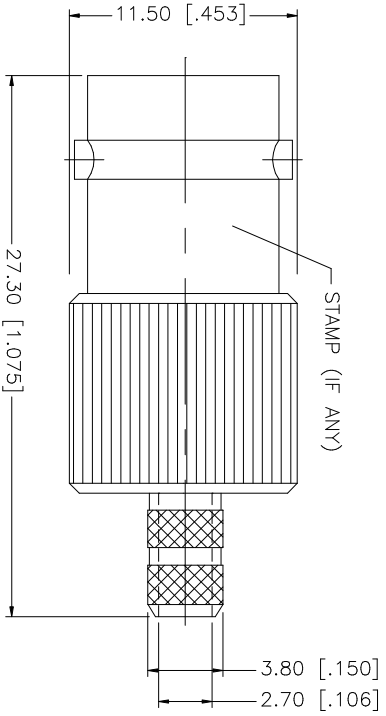
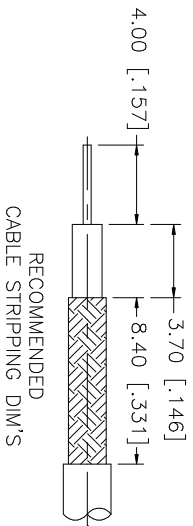


REV.	DATE	DESCRIPTION
B	04/04/03	UPDATE DRAWING FORMAT



- CRIMP NOTES:
1. CRIMPED FERRULE  
HEX CRIMP SIZE .178"
  2. CRIMPED CONTACT PIN  
HEX CRIMP SIZE .068"

QTY	FINISH	MATERIAL	DESCRIPTION
1	NICKEL	BRASS	HOUSING/BODY
1	NATURAL	DELFIN	INSULATOR
1	GOLD	PHOS. BRONZE	CONTACT PIN
1	NATURAL	DELFIN	SLEEVE
1	NICKEL	COPPER	FERRULE

UNLESS OTHERWISE SPECIFIED DIMENSIONS ARE IN MILLIMETERS. DIMENSIONS IN [ ] ARE IN INCHES AND FOR CUSTOMER REFERENCE ONLY.  
UNLESS OTHERWISE SPECIFIED TOLERANCES FOR MILLIMETERS ARE:  
0.5 - 8mm ± 0.20mm  
8 - 30mm ± 0.40mm  
30 - 120mm ± 0.50mm  
UNLESS OTHERWISE SPECIFIED TOLERANCES FOR INCHES ARE:  
.020 - .315 = ± 0.002"  
.315 - 1.180 = ± 0.015"  
1.180 - 4.724 = ± 0.020"

DO NOT SCALE DRAWING

APPROVALS	DATE
DRAWN G.R.S.	04/04/03
CHECKED	
ISSUED	
SHEET 1 OF 1	

CAD FILE C:/112/112161.DWG

DWG. NO. 112161.DWG

REV. B

SIZE A

SCALE NA

**Amphenol Connex**

PART DESCRIPTION  
BNC CRIMP JACK  
(FOR RG-179/U CABLE) 75ohm

PART NO. 112161