

JBC C245352

QFP Cartridge 15.4 x 15.4

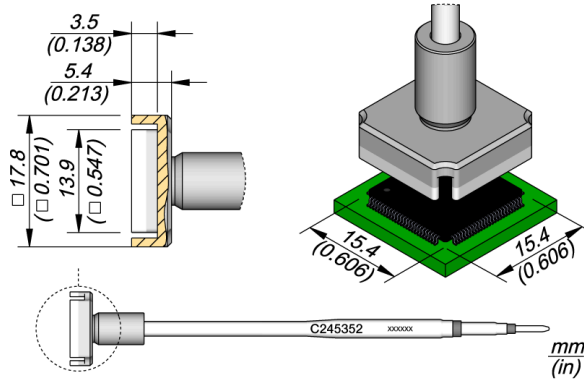
C245352 is appropriate for desoldering QFP and PLCC.

C245 cartridge range is the widest one of JBC with many shapes, sizes and special models, and they work with T245 Handles.

JBC Long Life Tips offer instant heat up, excellent heat transfer and great durability.

They last **5 times longer** than other brands thanks to the JBC Most Efficient Soldering System and the Sleep & Hibernation features.

CARTRIDGE FOR QFP AND PLCC DESOLDERING



REFERENCE

C245352

SPECIFICATIONS

Net weight 0,02 kg (0.04lb)

WEIGHT AND DIMENSIONS

20 gr (0.04 lb)

23 gr (0.05 lb)

110 x 12 x 12 mm

Copyright © 2024 JBC Soldering S.L. | [Legal Notice](#) | [Privacy Policy](#) | [Terms and Conditions](#) | [Cookie policy](#) | [Internal Communication](#) | [RSS Feed](#) | [JBC Store](#) | [Contact Us](#)

CONNECTABLES

Compatible tools



T245-A

General Purpose Handle



T245-PA

Blue Grip General Purpose Handle



T245-NA

Nitrogen General Purpose Handle