



**M12 Rail Right Angle**

TE Internal #: 1-2823588-2

M12 Rail Right Angle, Standard Circular Connectors, Cable-to-Cable, 4 Position, Sealable, Wire & Cable, 4A Contact Current Rating (Max), Signal

[View on TE.com >](#)

Connectors > Circular Connectors > Standard Circular Connectors > M12 R/A CRIMPED STRAIN RELIEF



Connector System: **Cable-to-Cable**

Number of Positions: **4**

Sealable: **Yes**

Connector & Contact Terminates To: **Wire & Cable**

Contact Current Rating (Max): **4 A**

[All M12 R/A CRIMPED STRAIN RELIEF \(12\)](#)

**Features**

**Product Type Features**

Product Type	Connector Kit
Connector System	Cable-to-Cable
Sealable	Yes
Connector & Contact Terminates To	Wire & Cable
Circular Connector Type	Receptacle
Shell Type	Full Metal Shell

**Configuration Features**

Number of Positions	4
Contacts Preloaded	No

**Electrical Characteristics**

Operating Voltage	50 VDC
-------------------	--------

**Body Features**

Environmental Protection	Yes
Weight	25 g[.0552 lb]
Environmental Protection Type	Elastomer Sealed
Shell Plating Material	Nickel



Shell Base Material	Brass
Circular Connector Insulation Material Type	Low Fire Hazard Thermoplastic
Hermetically Sealed	Yes

#### Contact Features

Contact Current Rating (Max)	4 A
Circular Connector Contact Type	Socket

#### Mechanical Attachment

Connector Mounting Type	Cable Mount (Free-Hanging)
Polarization Code	D
Mating Alignment Type	Keyed
Mating Retention	With

#### Dimensions

Accepts Wire Insulation Diameter Range	7.3 mm
Wire Size	22 AWG

#### Usage Conditions

IP Dust Sealing Level	6
IP Water Sealing Level	7
Operating Temperature Range	-40 – 70 °C, -40 – 85 °C[-40 – 158 °F][-40 – 185 °F][-40 – 185 °F]

#### Operation/Application

Durability Rating	250 Cycles
Circuit Application	Signal
Shielded	Yes

#### Industry Standards

UL Flammability Rating	UL 94V-0
------------------------	----------

#### Packaging Features

Packaging Quantity	1
--------------------	---

#### Other

Field Serviceable	Yes
-------------------	-----

#### Product Compliance

For compliance documentation, visit the product page on [TE.com](https://www.te.com)>



EU RoHS Directive 2011/65/EU	Not Compliant
EU ELV Directive 2000/53/EC	Compliant
China RoHS 2 Directive MIIT Order No 32, 2016	Restricted Materials Above Threshold
EU REACH Regulation (EC) No. 1907/2006	Current ECHA Candidate List: JAN 2021 (211) Candidate List Declared Against: JUN 2020 (209) SVHC > Threshold: Not Yet Reviewed
Halogen Content	Low Halogen - Br, Cl, F, I < 900 ppm per homogenous material. Also BFR/CFR/PVC Free
Solder Process Capability	Not reviewed for solder process capability

Product Compliance Disclaimer

This information is provided based on reasonable inquiry of our suppliers and represents our current actual knowledge based on the information they provided. This information is subject to change. The part numbers that TE has identified as EU RoHS compliant have a maximum concentration of 0.1% by weight in homogenous materials for lead, hexavalent chromium, mercury, PBB, PBDE, DBP, BBP, DEHP, DIBP, and 0.01% for cadmium, or qualify for an exemption to these limits as defined in the Annexes of Directive 2011/65/EU (RoHS2). Finished electrical and electronic equipment products will be CE marked as required by Directive 2011/65/EU. Components may not be CE marked. Additionally, the part numbers that TE has identified as EU ELV compliant have a maximum concentration of 0.1% by weight in homogenous materials for lead, hexavalent chromium, and mercury, and 0.01% for cadmium, or qualify for an exemption to these limits as defined in the Annexes of Directive 2000/53/EC (ELV). Regarding the REACH Regulation, the information TE provides on SVHC in articles for this part number is based on the latest European Chemicals Agency (ECHA) 'Guidance on requirements for substances in articles' posted at this URL: <https://echa.europa.eu/guidance-documents/guidance-on-reach>

## Compatible Parts



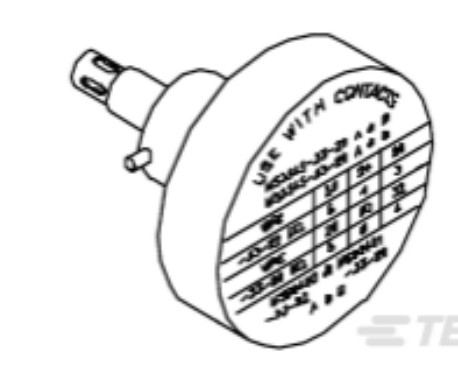
TE Part # 1-2823557-1  
CRIMP TOOL FOR CRIMP FLANGE /SLEEVE



TE Part # 1-2823560-1  
ASSEMBLY TOOL HANDLE FOR CRIMP FLANGE



TE Part # 1-2823561-1  
UNIVERSAL INSERT (ALL M12 CODES)



TE Part # CAT-M1-M1  
M12 ASSEMBLY TOOLING



TE Part # CAT-R131-IN722  
CRIMP INSERT FOR USE WITH 1-2823557-1



TE Part # 601966-1  
CRIMPING TOOL M22520/2-01



TE Part # 601967-1  
CRIMPING TOOL M22520/1-01

## Also in the Series | M12 Rail Right Angle



Standard Circular Connectors(15)

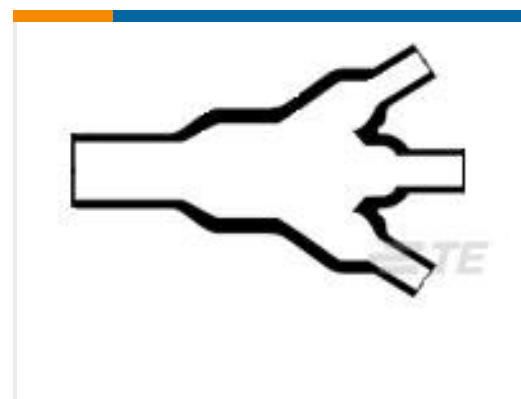
## Customers Also Bought



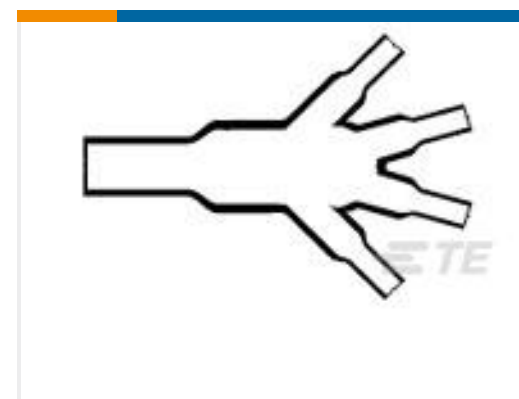
TE Part #2-1393243-4  
RTE25524



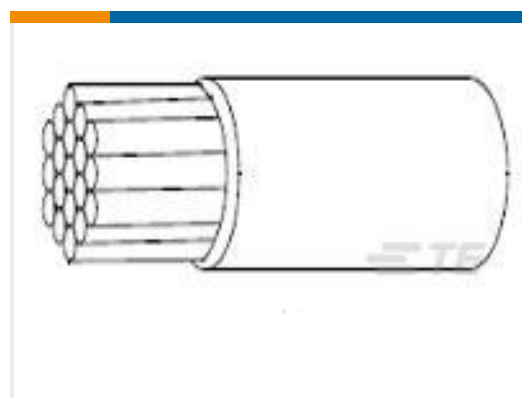
TE Part #808392-000  
Heat Shrink Boots: Non Lipped, Right Angle



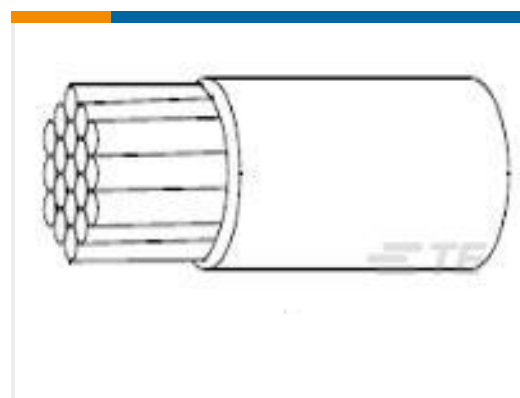
TE Part #823785-000  
462A034-4-0



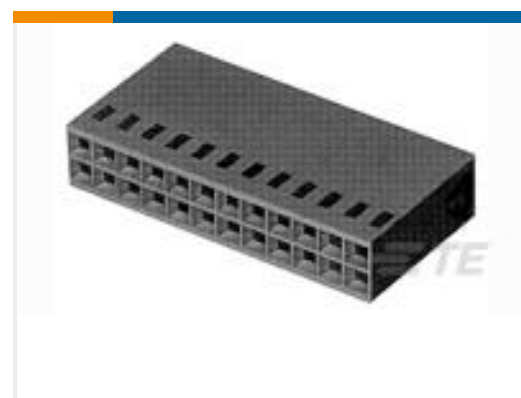
TE Part #373785-000  
562A032-3/86-0



TE Part #218314-000  
55A0111-28-2



TE Part #218318-000  
55A0111-28-6



TE Part #86264-4  
52 MODIV HSG COMP DR .100 EARS



TE Part #1633468-5  
CRIMPER, INSULATION PREMIUM



TE Part #1757821-1  
AMPLIMITE,ASY,PLUG,FB,109,ZN,1



TE Part #YDIV46E25-29PAV001  
PLUG ASSY

## Documents

### Product Drawings

M12 D-90 DEGR-F-4,CAT 5 RADOX 7.3MM, H&S

English

### CAD Files

3D PDF

3D



**Customer View Model**

[ENG\\_CVM\\_CVM\\_1-2823588-2\\_A.2d\\_dxf.zip](#)

English

**Customer View Model**

[ENG\\_CVM\\_CVM\\_1-2823588-2\\_A.3d\\_igs.zip](#)

English

**Customer View Model**

[ENG\\_CVM\\_CVM\\_1-2823588-2\\_A.3d\\_stp.zip](#)

English

By downloading the CAD file I accept and agree to the [Terms and Conditions](#) of use.

**Datasheets & Catalog Pages**

[M12 Right Angled Connector](#)

English