

280592 ✓ ACTIVE

AMPMODU | AMPMODU MOD 1

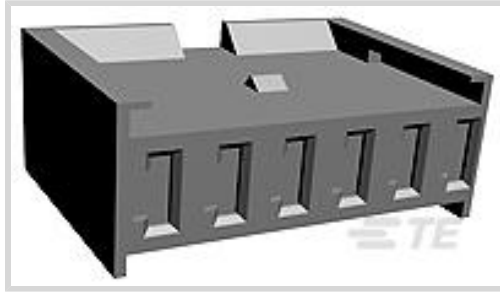
TE Internal #: 280592

AMPMODU MOD 1, Housing, Receptacle, 6 Position, 3.96mm [.156in] Centerline, 1 Row, Green Housing Color, Signal

[View on TE.com >](#)



Connectors > PCB Connectors > Wire-to-Board Connectors > Wire-to-Board Connector Assemblies & Housings



Connector Product Type: **Housing**

Connector & Housing Type: **Receptacle**

Number of Positions: **6**

Centerline (Pitch): **3.96 mm [.156 in]**

Number of Rows: **1**

Features

Product Type Features

Connector Product Type	Housing
Connector & Housing Type	Receptacle

Configuration Features

Number of Positions	6
Number of Rows	1

Body Features

Connector Profile	Standard
-------------------	----------

Contact Features

Contact Type	Socket
--------------	--------

Housing Features

Housing Material	Polycarbonate GFF
Centerline (Pitch)	3.96 mm [.156 in]
Housing Color	Green

Usage Conditions

Operating Temperature Range	-40 – 105 °C
-----------------------------	--------------

Operation/Application

Circuit Application	Signal
---------------------	--------

Industry Standards

UL Flammability Rating

UL 94V-1

Product Compliance

[For compliance documentation, visit the product page on TE.com>](#)

EU RoHS Directive 2011/65/EU

Compliant

EU ELV Directive 2000/53/EC

Compliant

China RoHS 2 Directive MIIT Order No 32, 2016

No Restricted Materials Above Threshold

EU REACH Regulation (EC) No. 1907/2006

Current ECHA Candidate List: JAN 2021 (211)
Candidate List Declared Against: JAN 2021 (211)
Does not contain REACH SVHC

Halogen Content

Low Halogen - Br, Cl, F, I < 900 ppm per homogenous material. Also BFR/CFR/PVC Free

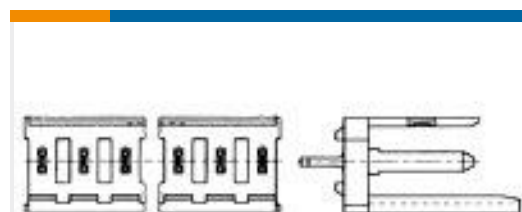
Solder Process Capability

Not applicable for solder process capability

Product Compliance Disclaimer

This information is provided based on reasonable inquiry of our suppliers and represents our current actual knowledge based on the information they provided. This information is subject to change. The part numbers that TE has identified as EU RoHS compliant have a maximum concentration of 0.1% by weight in homogenous materials for lead, hexavalent chromium, mercury, PBB, PBDE, DBP, BBP, DEHP, DIBP, and 0.01% for cadmium, or qualify for an exemption to these limits as defined in the Annexes of Directive 2011/65/EU (RoHS2). Finished electrical and electronic equipment products will be CE marked as required by Directive 2011/65/EU. Components may not be CE marked. Additionally, the part numbers that TE has identified as EU ELV compliant have a maximum concentration of 0.1% by weight in homogenous materials for lead, hexavalent chromium, and mercury, and 0.01% for cadmium, or qualify for an exemption to these limits as defined in the Annexes of Directive 2000/53/EC (ELV). Regarding the REACH Regulation, the information TE provides on SVHC in articles for this part number is based on the latest European Chemicals Agency (ECHA) 'Guidance on requirements for substances in articles' posted at this URL: <https://echa.europa.eu/guidance-documents/guidance-on-reach>

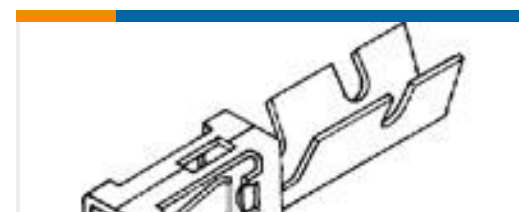
Compatible Parts



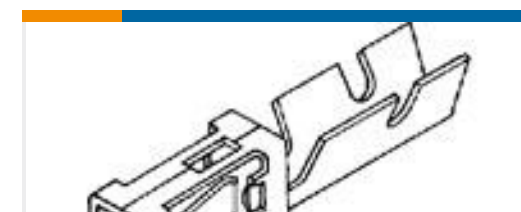
TE Part # 280611-2
6P MOD 1 SHROUDED HEADER, ST,
0.4 Au



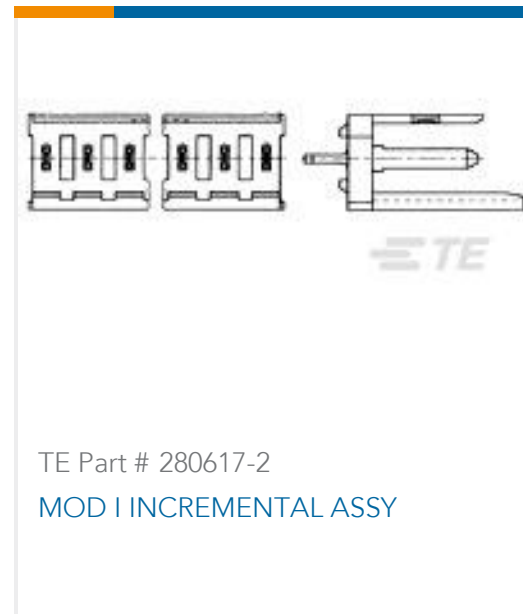
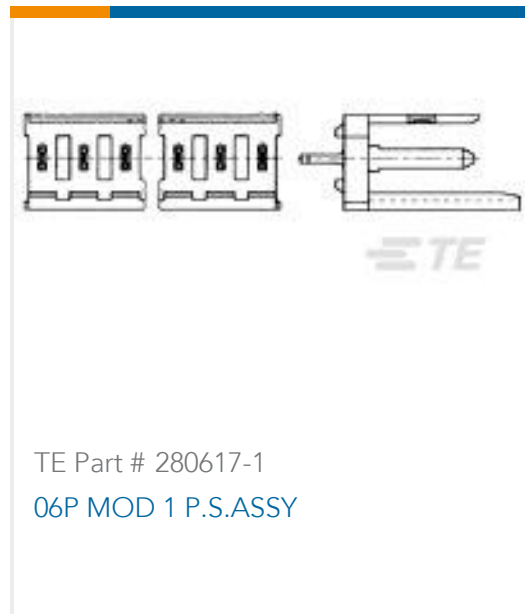
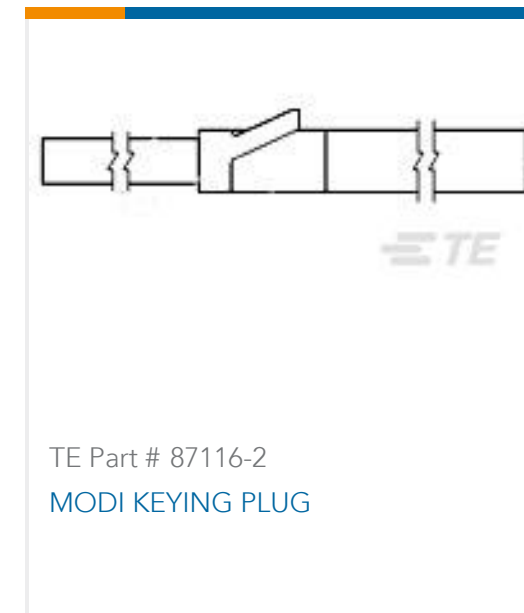
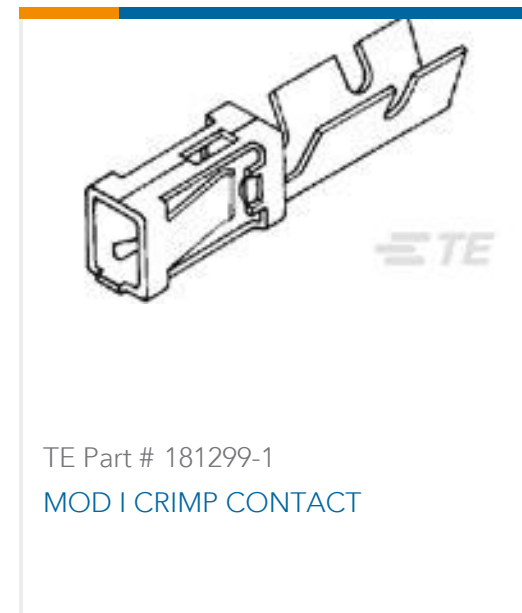
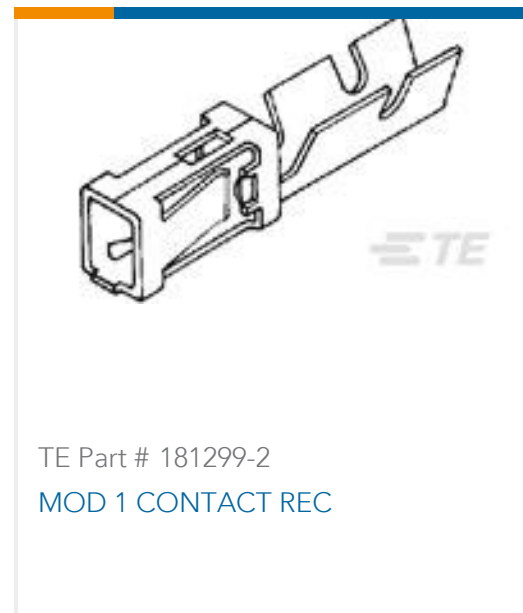
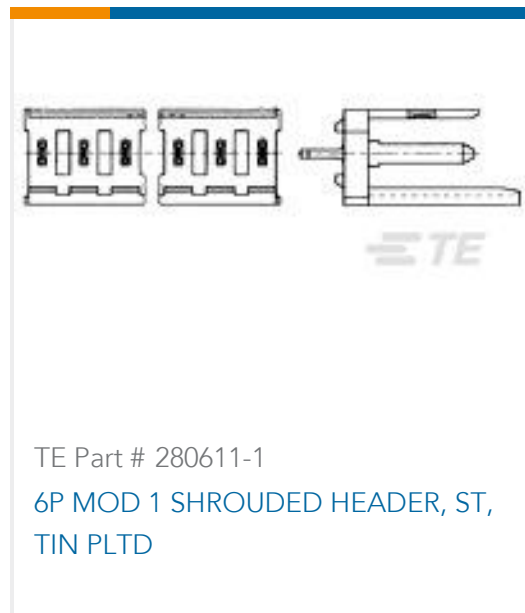
TE Part # 280621-2
MOD I CONT STRIP



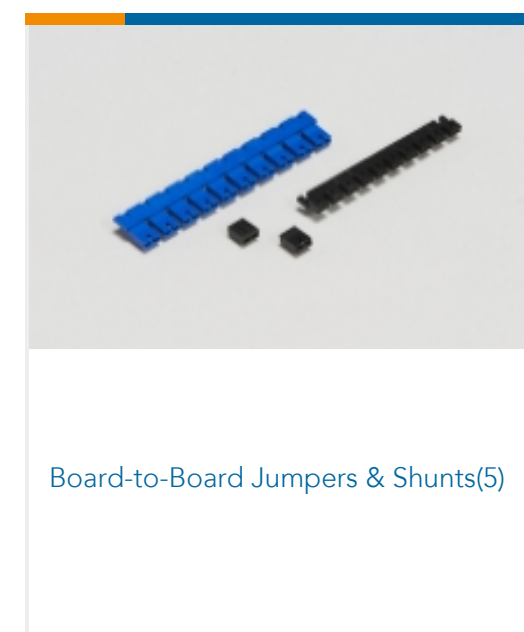
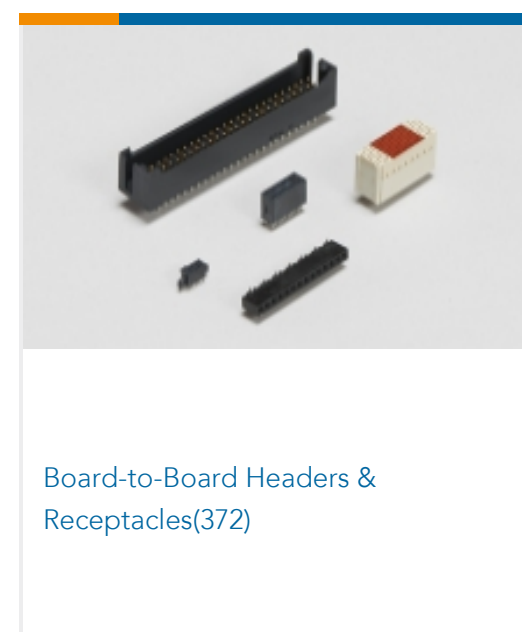
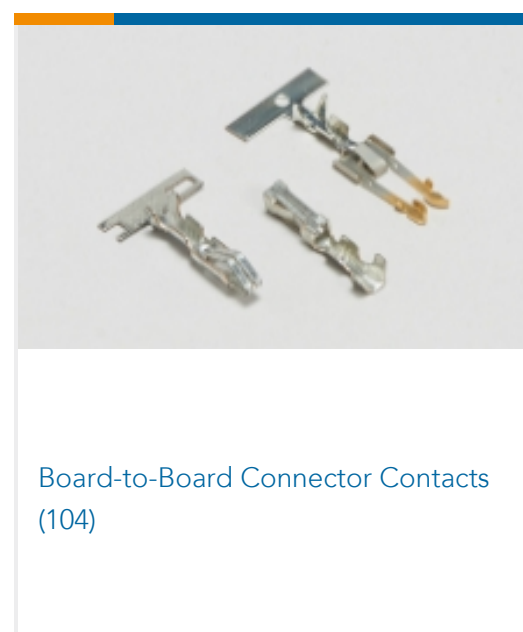
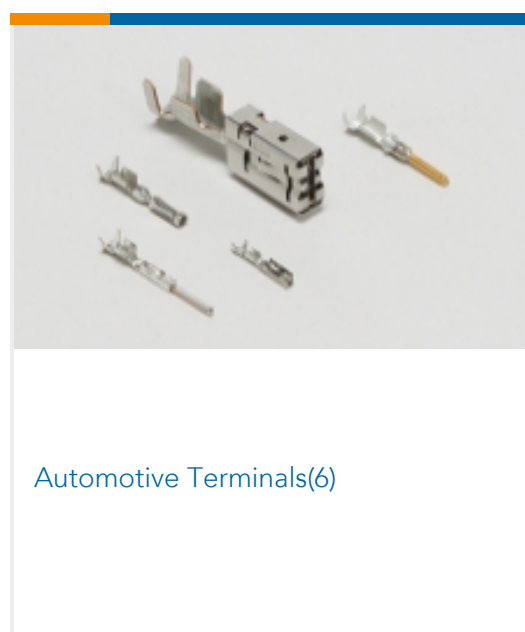
TE Part # 280621-1
MOD I CRIMP CONTACT



TE Part # 280702-1
AMPMODU CONT.



Also in the Series | AMPMODU MOD 1





Insertion & Extraction Tools(1)



PCB Connector Keying(2)



Wire-to-Board Connector Assemblies & Housings(44)



Wire-to-Board Connector Contacts(2)

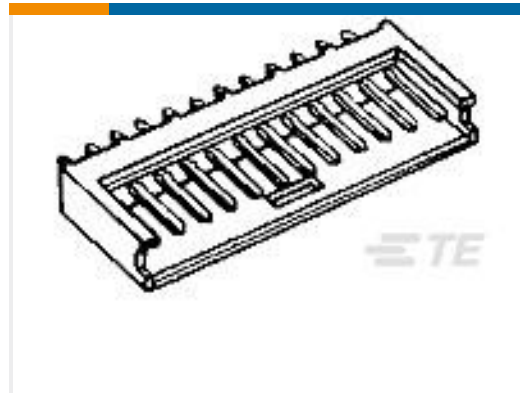
Customers Also Bought



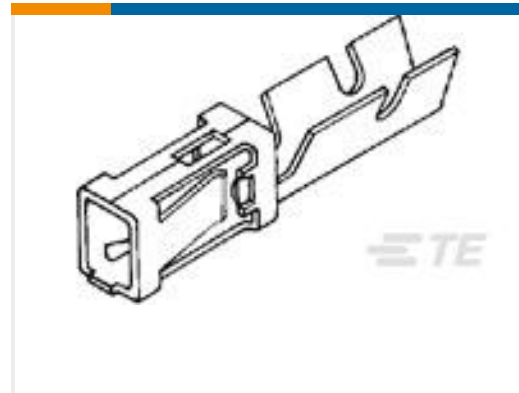
TE Part #1445389-1
MINI CPC



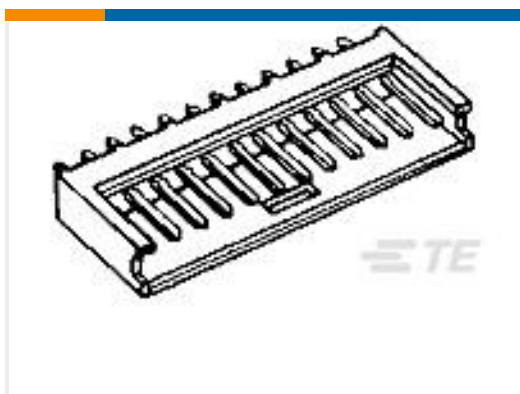
TE Part #T4112001021-000
M12 Field Installable Unshielded



TE Part #280373-1
8P AMPMODU II SHRD HDR, ST, TIN



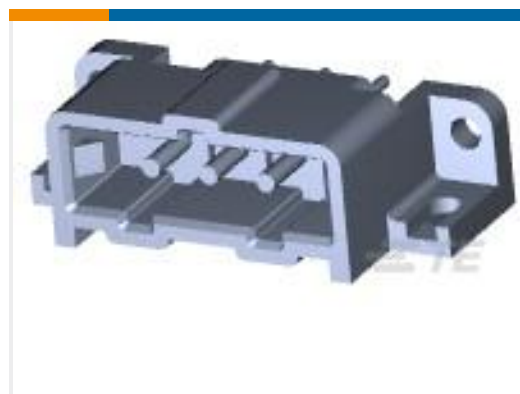
TE Part #182198-1
MOD 1 CONTACT



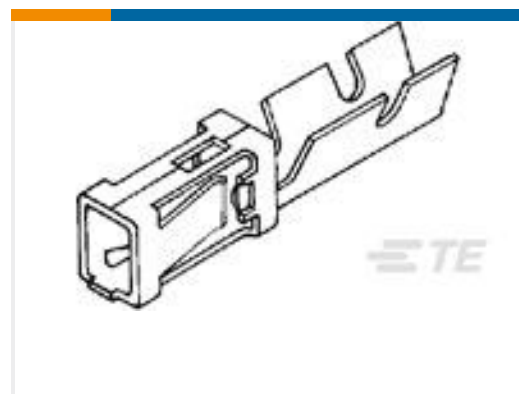
TE Part #280370-1
2P AMPMODU II SHRD HDR, ST, TIN



TE Part #2176347-1
CRGCO 2010 10R 1%



TE Part #207365-8
METRIMATE PIN HDR ASY,3P LF



TE Part #181299-2
MOD 1 CONTACT REC



TE Part #280362
AMPMODU II REC. HSG, SINGLE ROW, 10 POS.



TE Part #1-962340-1
TIMER, CONNECTOR HOUSING

Documents

Product Drawings

[AMPMODU I RECEPTACLE HOUSING.](#)

English

CAD Files

[3D PDF](#)

English

Customer View Model

[ENG_CVM_280592_G.3d_igs.zip](#)



English

Customer View Model

[ENG_CVM_280592_G.3d_stp.zip](#)

English

Customer View Model

[ENG_CVM_280592_G.2d_dxf.zip](#)

English

By downloading the CAD file I accept and agree to the [Terms and Conditions](#) of use.

Product Specifications

Product Specification

English

Product Environmental Compliance

[MD_280592_1113201588_dmtec](#)

English

[MD_280592_1113201588_dmtec](#)

English

Agency Approvals

UL Report

English