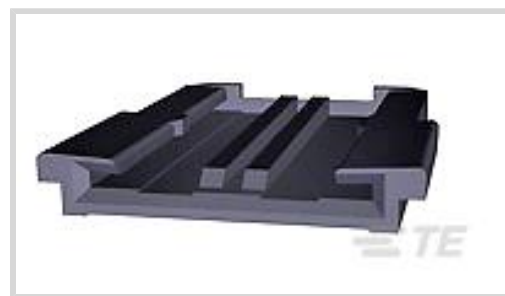




Connectors > Automotive Connectors > Connector Accessories > Locks & Position Assurance



Connector System: **Wire-to-Board**

Primary Product Material: **PBT GF**

Operating Temperature Range: **-40 – 140 °C [-40 – 284 °F]**

Features

Product Type Features

Connector System	Wire-to-Board
------------------	---------------

Body Features

Primary Product Material	PBT GF
--------------------------	--------

Usage Conditions

Operating Temperature Range	-40 – 140 °C[-40 – 284 °F]
-----------------------------	----------------------------

Industry Standards

UL Flammability Rating	UL 94HB
------------------------	---------

Packaging Features

Packaging Quantity	5000
--------------------	------

Other

Serviceable	Yes
-------------	-----

Product Compliance

[For compliance documentation, visit the product page on TE.com>](#)

EU RoHS Directive 2011/65/EU	Compliant
EU ELV Directive 2000/53/EC	Compliant
China RoHS 2 Directive MIIT Order No 32, 2016	No Restricted Materials Above Threshold
EU REACH Regulation (EC) No. 1907/2006	Current ECHA Candidate List: JAN 2021 (211) Candidate List Declared Against: JAN 2021 (211) Does not contain REACH SVHC

Halogen Content	Low Halogen - Br, Cl, F, I < 900 ppm per homogenous material. Also BFR/CFR/PVC Free
Solder Process Capability	Not applicable for solder process capability

Product Compliance Disclaimer

This information is provided based on reasonable inquiry of our suppliers and represents our current actual knowledge based on the information they provided. This information is subject to change. The part numbers that TE has identified as EU RoHS compliant have a maximum concentration of 0.1% by weight in homogenous materials for lead, hexavalent chromium, mercury, PBB, PBDE, DBP, BBP, DEHP, DIBP, and 0.01% for cadmium, or qualify for an exemption to these limits as defined in the Annexes of Directive 2011/65/EU (RoHS2). Finished electrical and electronic equipment products will be CE marked as required by Directive 2011/65/EU. Components may not be CE marked. Additionally, the part numbers that TE has identified as EU ELV compliant have a maximum concentration of 0.1% by weight in homogenous materials for lead, hexavalent chromium, and mercury, and 0.01% for cadmium, or qualify for an exemption to these limits as defined in the Annexes of Directive 2000/53/EC (ELV). Regarding the REACH Regulation, the information TE provides on SVHC in articles for this part number is based on the latest European Chemicals Agency (ECHA) 'Guidance on requirements for substances in articles' posted at this URL: <https://echa.europa.eu/guidance-documents/guidance-on-reach>

Compatible Parts



TE Part # 1-1393387-8
V23540M1050Q570=BUCHSENGEH 50



TE Part # 3-1393387-2
BUCHSENGEH 50P

Customers Also Bought



TE Part #1379668-2
TH/.025 CONNECTOR SYSTEM, HOUSING



TE Part #963902-1
TIMER, RECEPTACLE AND TAB



TE Part #1379101-1
COV+LEV MQS 18W 90DEG BLK



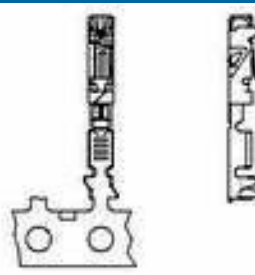
TE Part #1-1393387-8
V23540M1050Q570=BUCHSENGEH 50



TE Part #1355528-2
MPQ 2.KONT-SICHNG8P



TE Part #1-1355034-1
JPT KONTSICHERUNG8P



TE Part #1-1411552-1
ELOSTD M5300Y55



TE Part #0989076013
RBK-ILS-125-NR2-0-27MM



Documents

Product Drawings

[V23540A1000Y452=VERSCHL.26P.](#)

English

[V23540A1000Y452=VERSCHL.26P.](#)

English

CAD Files

3D PDF

English

Customer View Model

[ENG_CVM_1393449-1_A2.3d_igs.zip](#)

English

Customer View Model

[ENG_CVM_1393449-1_A2.3d_stp.zip](#)

English

Customer View Model

[ENG_CVM_1393449-1_A2.2d_dxf.zip](#)

English

By downloading the CAD file I accept and agree to the [Terms and Conditions](#) of use.