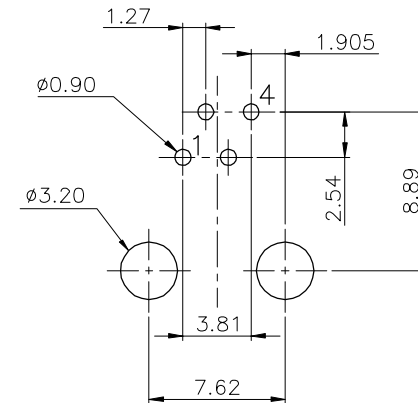
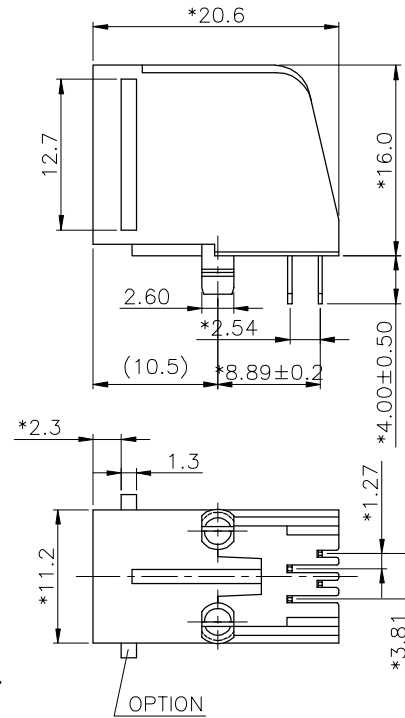
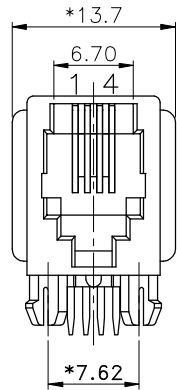


RoHS

THIS IS A RoHS COMPLIANT COMPONENT/PRODUCT.



PC Board Layout  
Component Side Shown

NOTES:

ELECTRICAL:

- 1. VOLTAGE RATING : 125 VAC MIN.
- 2. CURRENT RATING : 1.5 AMP MIN.
- 3. CONTACT RESISTANCE : 50 MILLIOHMS MAX. Δ
- 4. INSULATION RESISTANCE: 500 MEGOHMS MIN @ 1000 VDC.
- 5. DIELECTRIC STRENGTH : 1000 VAC 60Hz, 1MIN.

MECHANICAL:

- 1. HOUSING MATERIAL : HIGH TEMP. UL94V-0.
- 2. CONTACT MATERIAL : PHOSPHOR BRONZE t=0.35 mm.
- 3. PLATING : 1: CONTACT AREA- SELECTIVE GOLD PLATING.  
2: TAILS- 150u" TIN-LEAD MIN OVER 50u" NICKEL.
- 4. OPERATING LIFE : 750 CYCLES MIN.
- 5. PCB RETENTION PRE-SOLDER : 1 LB MIN.
- 6. PCB RETENTION POST-SOLDER: 10 LBS MIN.

ENVIRONMENTAL:

- 1. STORAGE : -40°C TO +85°C.
  - Δ 2. OPERATION: -40°C TO +85°C.
- MATES WITH MODULAR PLUG CONFORMING TO TIA-1096-A.

ORDERING INFORMATION

PART NUMBER	PRODUCT CODE	CONFIGURATION
3257-00II-01	RJJU-44-I23-E7V-0II	6U" GOLD PLATING, WITH PANEL STOP
3257-00II-02	RJJU-44-I24-E7V-0II	6U" GOLD PLATING, WITHOUT PANEL STOP
3257-00II-03	RJJU-44-I43-E7V-0II	30U" GOLD PLATING, WITH PANEL STOP
3257-00II-04	RJJU-44-I44-E7V-0II	30U" GOLD PLATING, WITHOUT PANEL STOP

UL US UL RECOGNIZED - FILE #E465899

Δ x2		ADD NEW P/N.	DORIS	120516'
Δ x2		UODATE DRAWING(1)	YANG	011209
Δ x0	000000	NEW DESIGN	SAIL	030108

MARK	ECN-NO.	REVISION RECORD	DRAWN	DATE
		UNLESS OTHERWISE SPECIFIED TOLERANCE	SCALE	CHECKED
		Dimension Range Tolerance	1:1	EVA
		X.X ±0.20 UNIT	APPROVED	PETER
		X.XX ±0.15 mm		
		X.XXX ±0.10 SIZE	A3	SHEET 1/1
		ANGLE ±5°		
Material/Plated/Notes		NAME		
SEE NOTE		SIDE ENTRY PCB JACK 4P4C		
Tooling No.		PART NO.	SEE NOTE	REV.
		DOC. NO.		2