



Magnet switch Contact block 25 x 88 mm 2 NC+1 NO Connecting cable 3 m LIYY, 6 x 0.25 mm² Required solenoid 3SE6704-2BA

product brand name	SIRIUS
product designation	Magnetically operated switch
design of the product	Rectangular sensor unit
product type designation	3SE66
suitability for use safety-related circuits	Yes
General technical data	
product function	
• positive opening	No
• cross-circuit/short-circuit recognition	Yes
type of voltage of the operating voltage	AC/DC
protection class IP	IP67
shock resistance according to IEC 60068-2-27	Sinusoidal half-wave 30g / 11 ms
vibration resistance according to IEC 60068-2-6	10 ... 55 Hz: 1 mm
reference code according to IEC 81346-2	S
Substance Prohibitance (Date)	07/01/2006
height of the sensor	13 mm
length of the sensor	88 mm
width of the sensor	25 mm
material of the active sensor area	Plastic, glass-fiber reinforced thermoplastic
mechanical installation condition for sensor	no flush installation possible
Ambient conditions	
ambient temperature during operation	-25 ... +70 °C
Control circuit/ Control	
type of voltage	AC/DC
operating voltage rated value	100 V
operational current rated value	250 mA
operating power rated value	3 W
number of NC contacts for auxiliary contacts	2
number of NO contacts for auxiliary contacts	1
Enclosure	
design of the housing	block
material of the enclosure	Plastic, glass-fiber reinforced thermoplastic
material of cable sheath	PVC
Actuator	
design of the actuating element	magnet
Display	
evaluation unit required	yes
Contact	
circuit principle	reed switches
switching frequency	5 Hz

assured operating distance OFF	15 mm		
assured operating distance ON	5 mm		
design of the switching function	NC contact and NO contact		
Installation/ mounting/ dimensions			
fastening method	screw fixing		
Connections/ Terminals			
type of electrical connection	cable		
wire length	3 m		
Inputs/ Outputs			
type of switching output	Reed contacts		
Safety related data			
Safety Integrity Level (SIL) according to IEC 61508	3		
performance level (PL) according to EN ISO 13849-1	e		
category according to EN 954-1	4		
Certificates/ approvals			
General Product Approval	EMC	Functional Safety/Safety of Machinery	Declaration of Conformity

[Confirmation](#)



[Miscellaneous](#)



Declaration of Conformity	other
---------------------------	-------



[Confirmation](#)

Further information

Siemens has decided to exit the Russian market (see here).

<https://press.siemens.com/global/en/pressrelease/siemens-wind-down-russian-business>

Siemens is working on the renewal of the current EAC certificates.

Please contact your local Siemens office on the status of validity of the EAC certification if you intend to import or offer to supply these products to an EAC relevant market (other than the sanctioned EAEU member states Russia or Belarus).

Information on the packaging

<https://support.industry.siemens.com/cs/ww/en/view/109813875>

Information- and Downloadcenter (Catalogs, Brochures,...)

<https://www.siemens.com/ic10>

Industry Mall (Online ordering system)

<https://mall.industry.siemens.com/mall/en/en/Catalog/product?mlfb=3SE6606-2BA04>

Cax online generator

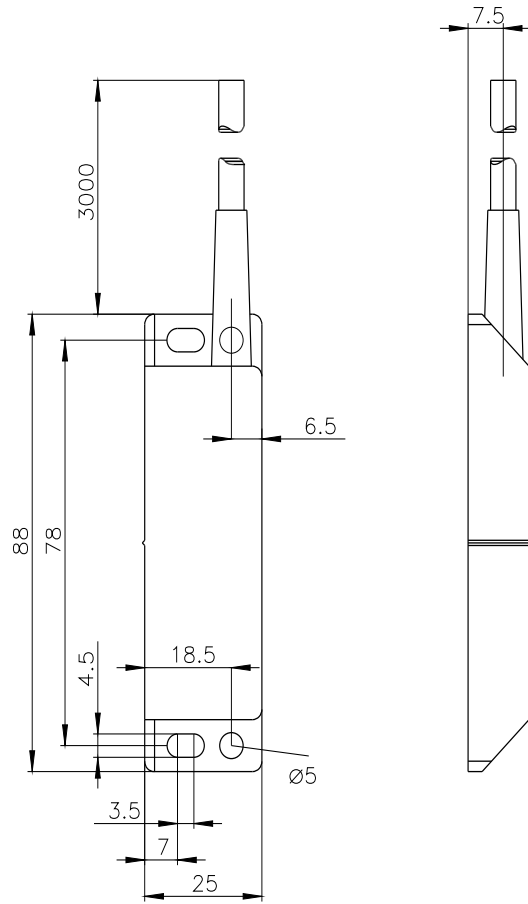
<http://support.automation.siemens.com/WW/CAXorder/default.aspx?lang=en&mlfb=3SE6606-2BA04>

Service&Support (Manuals, Certificates, Characteristics, FAQs,...)

<https://support.industry.siemens.com/cs/ww/en/ps/3SE6606-2BA04>

Image database (product images, 2D dimension drawings, 3D models, device circuit diagrams, EPLAN macros, ...)

http://www.automation.siemens.com/bilddb/cax_de.aspx?mlfb=3SE6606-2BA04&lang=en



GY = Grey	→	13
PK = Pink	→	14
GN = Green	→	21
YE = Yellow	→	22
WH = White	→	31
BN = Brown	→	32

