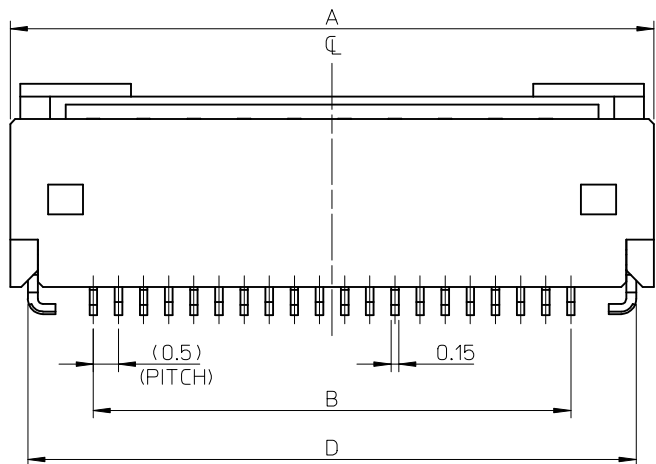
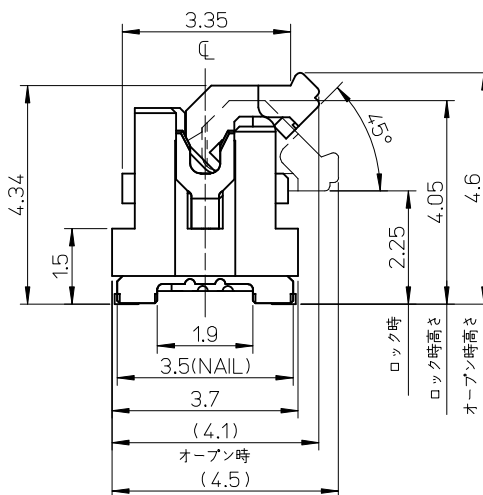


断面図 (参考)



注記 NOTES

- 使用材料 MATERIAL  
 ハウジング : 液晶ポリマー ガラス充填, UL94V-0(白)  
 HOUSING : LIQUID CRYSTAL POLYMER GLASS FILLED, UL94V-0 (WHITE)  
 アクチュエータ : ポリアミド 9T, ガラス充填, UL94V-0(茶)  
 ACTUATOR : POLYAMIDE 9T, GLASS FILLED, UL94V-0 (BROWN)  
 ターミナル : 銅合金(t=0.15)  
 TERMINAL : COPPER ALLOY  
 金具 : 銅合金(t=0.2)  
 FITTING NAIL : COPPER ALLOY
  - めっき仕様 PLATING  
 ターミナル TERMINAL  
 ニッケル下地 銅ビスマスめっき  
 銅ビスマスめっき(1.0μm以上)  
 ニッケルめっき(1.0μm以上)  
 TIN BISMUTH(SnBi) OVER NICKEL(Ni) PLATING,  
 TIN BISMUTH(SnBi) PLATING (1.0 MICROMETER MINIMUM)  
 NICKEL PLATING (1.0 MICROMETER MINIMUM)  
 金具 FITTING NAIL  
 ニッケル下地 銅めっき  
 銅めっき(1.0μm以上)  
 ニッケルめっき(1.0μm以上)  
 TIN(Sn) OVER NICKEL(Ni) PLATING,  
 TIN PLATING (1.0 MICROMETER MINIMUM)  
 NICKEL PLATING (1.0 MICROMETER MINIMUM)
  - テールと金具を併せた平坦度は 0.1ミリメートル以下  
 TAILS AND NAILS COPLANARITY TO BE 0.1 MAX.
  - ELV及びRoHS適合品  
 ELV AND RoHS COMPLIANT
- △ R0.3は、FPC導体部にかからないこと。  
 R0.3 MUST NOT BE OVERLAPPED TO PATTERN OF FPC.

8	30.7	32.1	32.4	29.5	32.8	501951-6009	60
	25.7	27.1	27.4	24.5	27.8	501951-5009	50
	23.2	24.6	24.9	22	25.3	501951-4509	45
	20.7	22.1	22.4	19.5	22.8	501951-4009	40
	16.7	18.1	18.4	15.5	18.8	501951-3209	32
	15.7	17.1	17.4	14.5	17.8	501951-3009	30
	12.7	14.1	14.4	11.5	14.8	501951-2409	24
	11.7	13.1	13.4	10.5	13.8	501951-2209	22
F	E	D	C	B	A	MATERIAL NO.	CIRCUITS

REVISED EC NO: J2015-0506 DRWN:NASUNUMA 2014/10/24 CHKD:TKAHASHI 2014/11/10 APPR:YNOGAWA 2014/11/13	GENERAL TOLERANCES (UNLESS SPECIFIED)		DIMENSION STYLE MM ONLY	SCALE 10:1	DESIGN UNITS METRIC	THIRD ANGLE PROJECTION	
	10 UNDER	± 0.2	DRAWN BY TRSUZUKI	DATE 2005/12/05	TITLE 0.5 FPC CONN. HSG ASSY EASY ON / STRAIGHT (TIN-BISMUTH) <b>molex</b> DOCUMENT NO. SD-501951-001 SHEET NO. 1 OF 2		
	10 OVER 30 UNDER	± 0.25	CHECKED BY HHIRATA	DATE 2005/12/05			
	30 OVER	± 0.3	APPROVED BY MSASAO	DATE 2005/12/05			
	ANGULAR	± 1 °	MATERIAL NO.	SEE CHART			
DRAFT WHERE APPLICABLE MUST REMAIN WITHIN DIMENSIONS		SIZE A3	THIS DRAWING CONTAINS INFORMATION THAT IS PROPRIETARY TO MOLEX INCORPORATED AND SHOULD NOT BE USED WITHOUT WRITTEN PERMISSION				

10 9 8 7 6 5 4 3 2 1

F

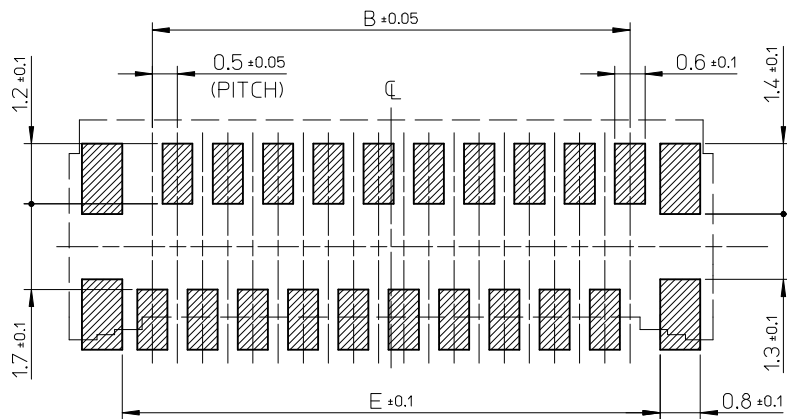
E

D

C

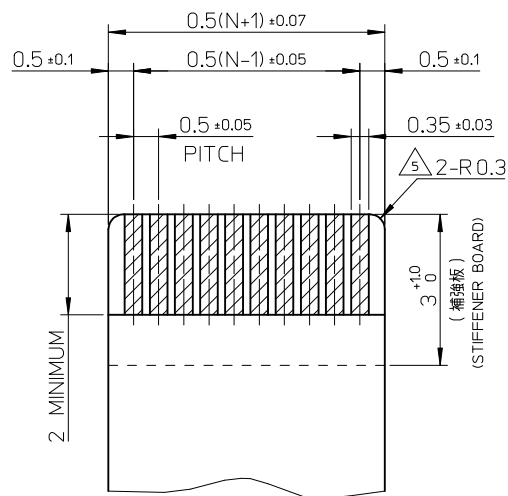
B

A

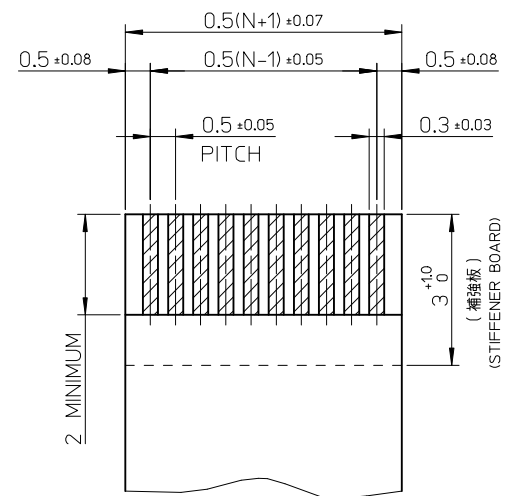


参考基板レイアウト (マウント面)

P.C.BOARD PATTERN DIMENSION(REF.)  
(MOUNT AREA)



適合FPC推奨寸法  
APPLICABLE FPC  
RECOMMENDED DIMENSION  
(仕上がり厚さ: 0.3 ± 0.03)  
(THICKNESS: 0.3 ± 0.03)



適合FFC推奨寸法  
APPLICABLE FFC  
RECOMMENDED DIMENSION  
(仕上がり厚さ: 0.3 ± 0.03)  
(THICKNESS: 0.3 ± 0.03)

FPCについて:

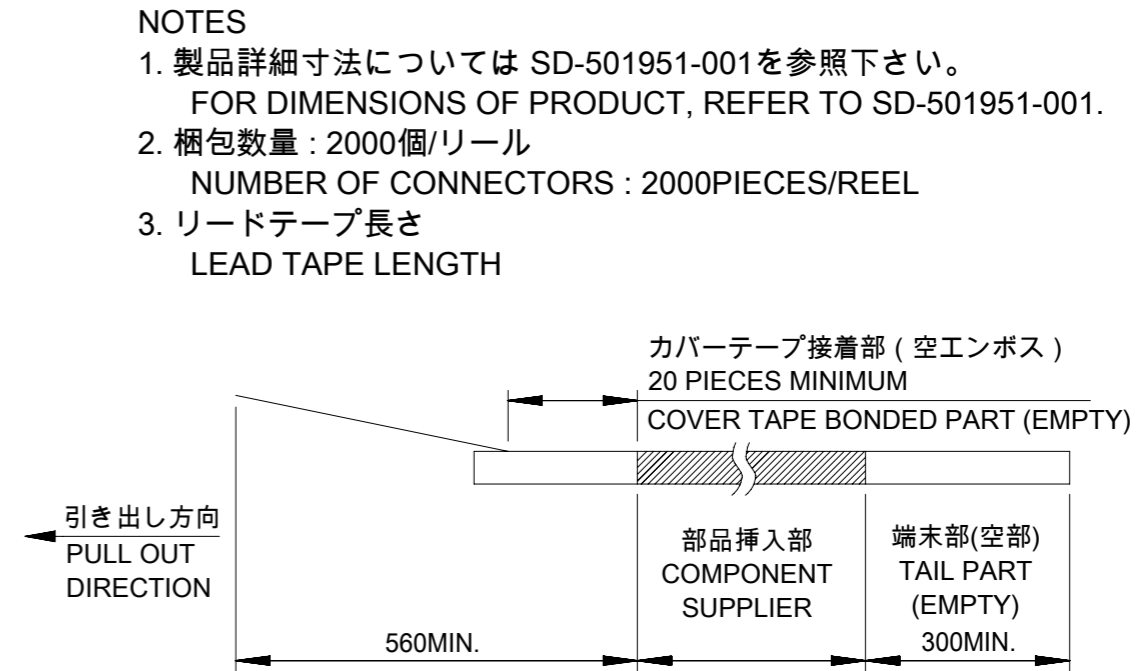
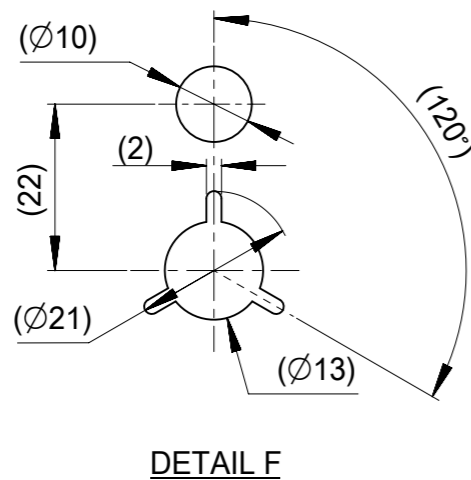
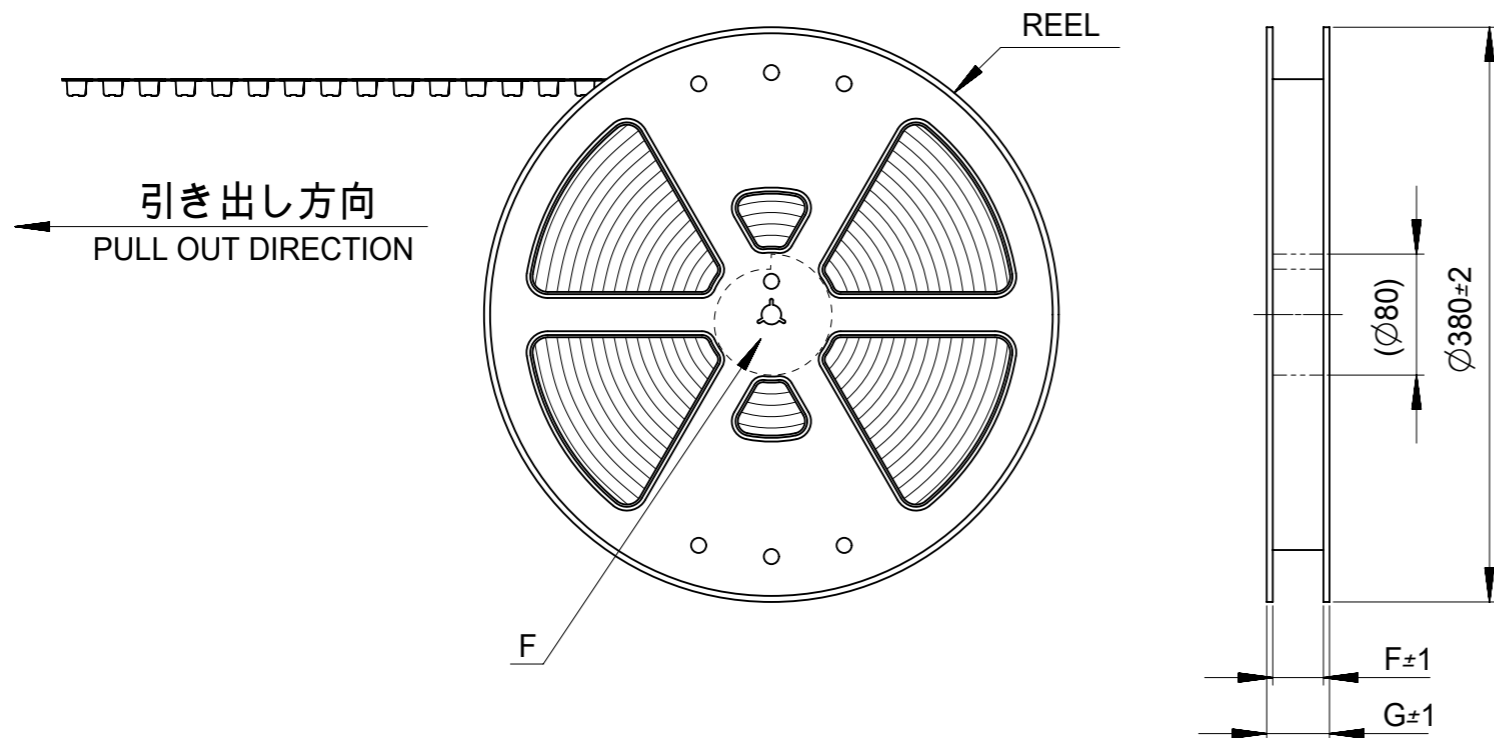
- 打抜き方向は導体側から補強板側を推奨致します。
- 補強フィルム材質はポリイミドを推奨致します。
- 接着剤は熱硬化接着剤を推奨致します。

ABOUT FPC:

- RECOMMENDED PUNCHER DIRECTION:  
FROM CONDUCTOR SIDE TO STIFFENER BOARD SIDE.
- RECOMMENDED MATERIAL:  
STIFFENER FILM: POLYIMIDE  
BONDING AGENT: THERMOSETTING BONDING AGENT

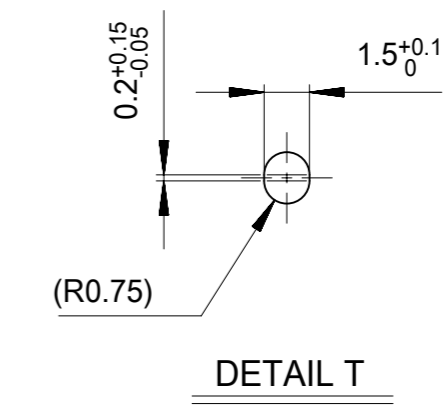
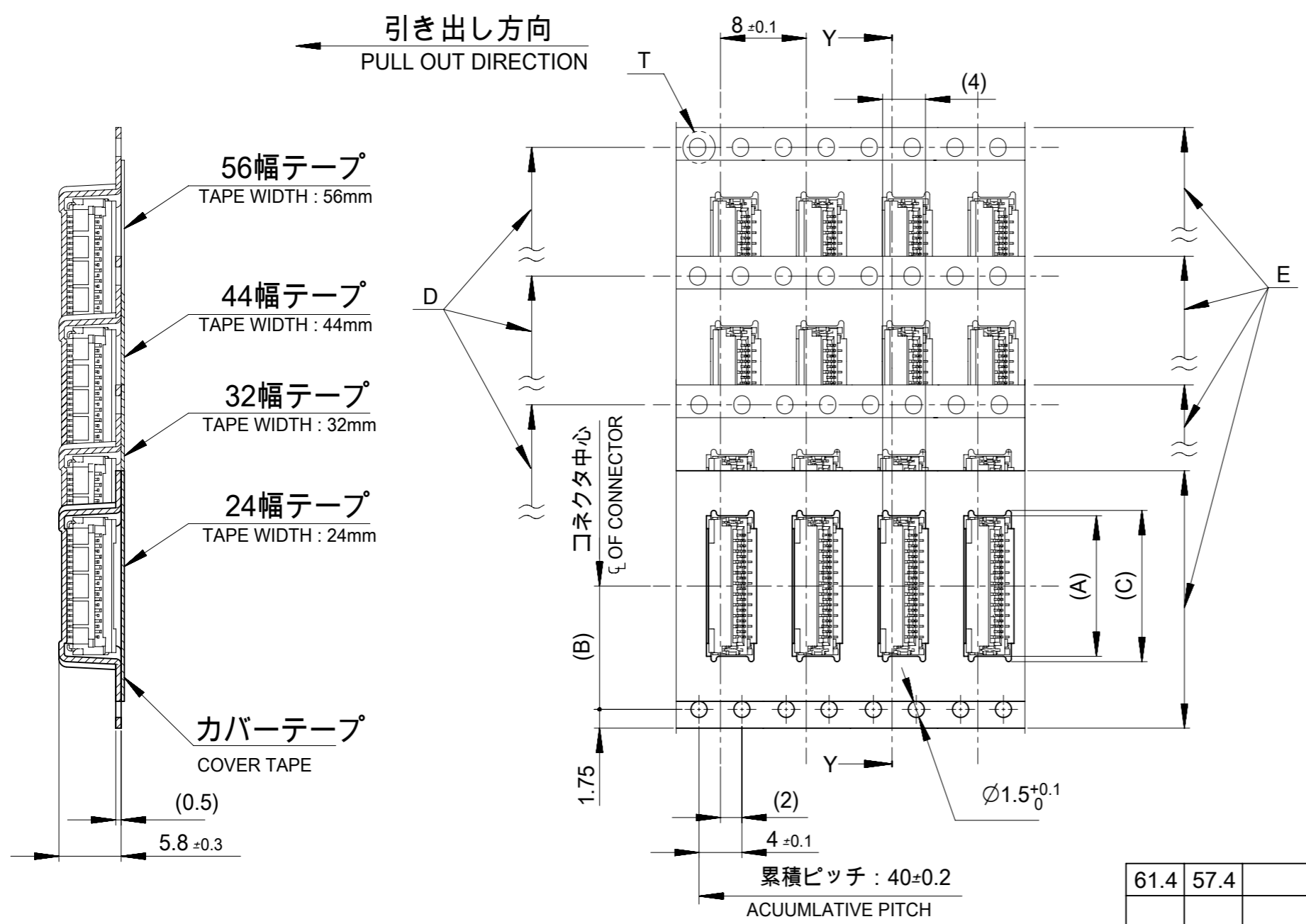
SEE SHEET 1 OF 2 EC NO: J2015-0506 DRAWN: IDRM/NASUNUMA 2014/10/21 CHECKED: CHKD/KTAKAHASHI 2014/11/10 APPR: YNDGAWA 2014/11/13	GENERAL TOLERANCES (UNLESS SPECIFIED)		DIMENSION STYLE MM ONLY		SCALE 10:1	DESIGN UNITS METRIC	THIRD ANGLE PROJECTION
	10 UNDER	± 0.2	DRAWN BY TRSUZUKI	DATE 2005/12/05	TITLE 0.5 FPC CONN. HSG ASSY EASY ON / STRAIGHT (TIN-BISMUTH)		
	10 OVER 30 UNDER	± 0.25	CHECKED BY HIRATA	DATE 2005/12/05			
	30 OVER	± 0.3	APPROVED BY MSASAO	DATE 2005/12/05			
ANGULAR	± 1 °	MATERIAL NO.	SEE SHEET 1 OF 2	DOCUMENT NO.	SD-501951-001	SHEET NO. 2 OF 2	
DRAFT WHERE APPLICABLE MUST REMAIN WITHIN DIMENSIONS		SIZE A3	THIS DRAWING CONTAINS INFORMATION THAT IS PROPRIETARY TO MOLEX INCORPORATED AND SHOULD NOT BE USED WITHOUT WRITTEN PERMISSION				

9 8 7 6 5 4 3 2



- NOTES
- 製品詳細寸法については SD-501951-001を参照下さい。  
FOR DIMENSIONS OF PRODUCT, REFER TO SD-501951-001.
  - 梱包数量：2000個/リール  
NUMBER OF CONNECTORS：2000PIECES/REEL
  - リードテープ長さ  
LEAD TAPE LENGTH
  - カバーテープの剥離強度については、IEC60286-3に準拠。  
COVER TAPE PEEL FORCE IS DEFINED BY IEC60286-3.
  - 材料 MATERIAL  
キャリアテープ：ポリスチレン  
CARRIER TAPE：POLYSTYRENE  
カバーテープ：ポリエチレンテレフタレート、ポリエチレン  
COVER TAPE：POLYETHYLENE TEREPHTHALATE , POLYETHYLENE  
リール：ポリスチレン<リサイクル材を含む>  
REEL：POLYSTYRENE<RECYCLE MATERIAL CONTAINED>
  - ELV及びRoHS適合品  
ELV AND RoHS COMPLIANT

THIS DRAWING CONTAINS INFORMATION THAT IS PROPRIETARY TO MOLEX ELECTRONIC TECHNOLOGIES, LLC AND SHOULD NOT BE USED WITHOUT WRITTEN PERMISSION									
DIMENSION UNITS		SCALE		CURRENT REV DESC:				<b>molex</b>	
mm		1:1							
GENERAL TOLERANCES (UNLESS SPECIFIED)				EC NO: 615451				0.5 FPC CONN. HSG ASSY	
ANGULAR TOL ± 1.0°				DRWN: JASANUMA 2019/04/11				E/O STRAIGHT EMBSTP PKG (TIN-BISMUTH)	
4 PLACES ± 0.25				CHK'D: RTAKEUCHI 2019/04/12					
3 PLACES ± 0.25				APPR: RTAKEUCHI 2019/04/12				PRODUCT CUSTOMER DRAWING	
2 PLACES ± 0.25				INITIAL REVISION:				DOCUMENT NUMBER	
1 PLACE ± 0.25				DRWN: TRSUZUKI 2005/12/05				SD-501951-002	
0 PLACES ± 0.25				APPR: HHIRATA 2005/12/05				PSD 001 E	
DRAFT WHERE APPLICABLE MUST REMAIN WITHIN DIMENSIONS		THIRD ANGLE PROJECTION		DRAWING		SERIES		MATERIAL NUMBER	
				A3-SIZE		501951		SEE CHART	
						CUSTOMER		SHEET NUMBER	
						GENERAL		1 OF 2	



61.4	57.4	56±0.3	52.4	34.1	26.2	33.1	5019516000	60
49.4	45.4	44±0.3	40.4	29.1	20.2	28.1	5019515000	50
				26.6		25.6	5019514500	45
37.4	33.4	32±0.3	28.4	24.1	14.2	23.1	5019514000	40
				20.1		19.1	5019513200	32
				19.1		18.1	5019513000	30
29.4	25.4	24±0.3	—	15.1	11.5	15.1	5019512400	24
						14.1	5019512200	22
G	F	E CARRIER TAPE WIDTH	D	(C)	(B)	(A)	EMBOSSED PACKAGE ORDER NO.	CIRCUITS

THIS DRAWING CONTAINS INFORMATION THAT IS PROPRIETARY TO MOLEX ELECTRONIC TECHNOLOGIES, LLC AND SHOULD NOT BE USED WITHOUT WRITTEN PERMISSION

DIMENSION UNITS <b>mm</b>	SCALE <b>1:1</b>	CURRENT REV DESC:			<b>molex</b>		
GENERAL TOLERANCES (UNLESS SPECIFIED)		EC NO: 615451					
ANGULAR TOL	± 1.0 °	DRWN: JASANUMA 2019/04/11			PRODUCT CUSTOMER DRAWING		
4 PLACES	± 0.25	CHK'D: RTAKEUCHI 2019/04/12			DOCUMENT NUMBER		
3 PLACES	± 0.25	APPR: RTAKEUCHI 2019/04/12			SD-501951-002		
2 PLACES	± 0.25	INITIAL REVISION:			DOC TYPE	DOC PART	REVISION
1 PLACE	± 0.25	DRWN: TRSUZUKI 2005/12/05			PSD	001	E
0 PLACES	± 0.25	APPR: HHIRATA 2005/12/05			MATERIAL NUMBER	CUSTOMER	SHEET NUMBER
DRAFT WHERE APPLICABLE MUST REMAIN WITHIN DIMENSIONS		THIRD ANGLE PROJECTION	DRAWING	SERIES	SEE CHART	GENERAL	2 OF 2