

**TECHNICAL SPECIFICATIONS**

**D-Sub Hood:**

Material: Zinc, Nickel Plated  
 Operating Temperature: -40°C to +120°C  
 Cable Entry: Top Entry  
 Rubber Grommet RGS  
 Strain relief: Clamp + Insert  
 Thumbscrews: **Long Jackscrews**  
 UNC 4-40 (Standard)  
 M2,5 or M3 on request  
 Cable O.D: Up to 11.5mm

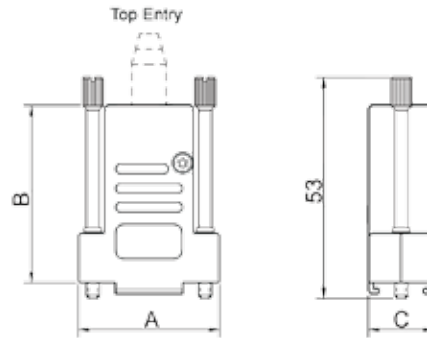
**D-Sub Crimp:**

Insulator: PBT, Black, UL94 V-0  
 Shell: Stamped Steel, Tin Plated  
 Contact pins: Copper Alloy  
 Machined pins Class 2: 200 inserts min  
 Contacts Plating: Hard Gold over Nickel  
 Operating Temperature: -55°C to +125°C  
 Test voltage: 1000V  
 Insulator resistance: <5GΩ  
 Crimp Area (AWG): AWG 24-20  
 0.2 - 0.6mm<sup>2</sup>



**Features:**

- Full Metal D-Sub hood
- Long Jackscrews
- Universal Rubber Grommet
- 360° EMI Shielding
- Quick assembly
- Pre-mounted locking screws
- Supports all types of cables
- Suitable for any common D-Sub connector
- Available in Sizes 9-15-25-37



D-Sub-Hood

Size DTSL	Dim A	Dim B	Dim C
9-way	32,2	42,0	15,0
15-way	40,8	42,3	15,0
25-way	54,0	42,3	15,0
37-way	70,5	48,0	15,0

**Ordering information:**

**D-Sub Connector Kits (100 inserts min.)**

Size:	P/N - Kitted:	Product Code - MALE Conn. Kit
9-way	6355-0069-01	DTSL09-LJSRG-T-DBCP-K
15-way	6355-0069-02	DTSL15-LJSRG-T-DBCP-K
25-way	6355-0069-03	DTSL25-LJSRG-T-DBCP-K
37-way	6355-0069-04	DTSL37-LJSRG-T-DBCP-K

Size:	P/N - Kitted:	Product Code - FEMALE Conn. Kit
9-way	6355-0069-11	DTSL09-LJSRG-T-DBCS-K
15-way	6355-0069-12	DTSL15-LJSRG-T-DBCS-K
25-way	6355-0069-13	DTSL25-LJSRG-T-DBCS-K
37-way	6355-0069-14	DTSL37-LJSRG-T-DBCS-K

