

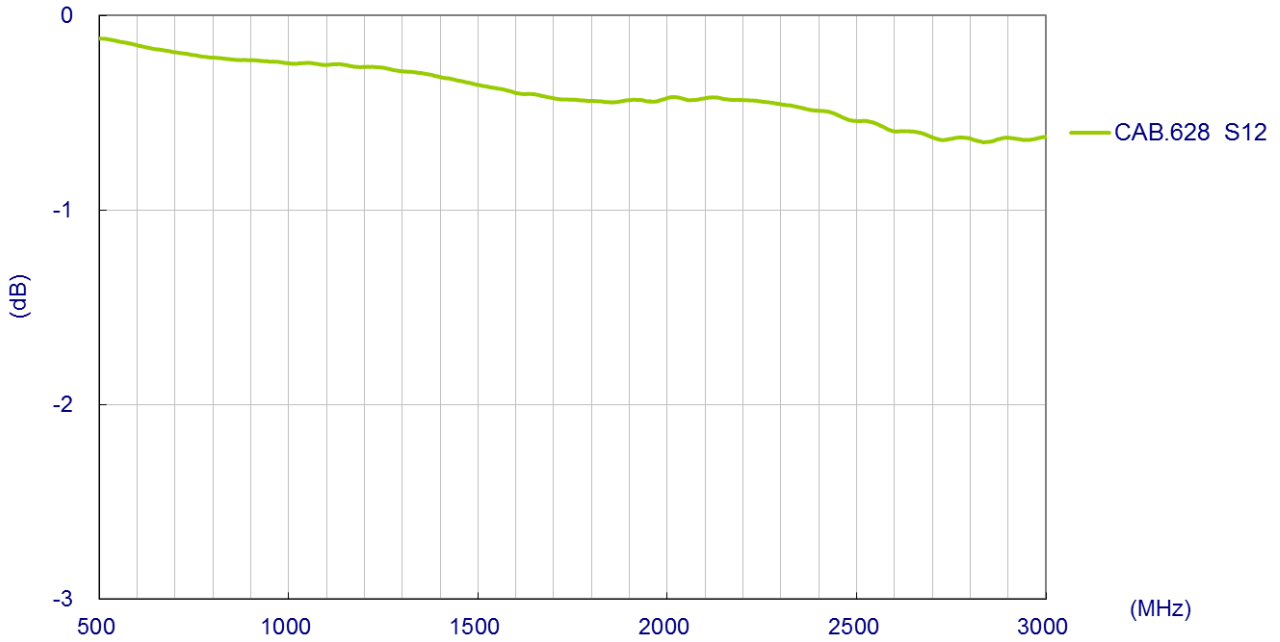
## Specification

Part No. : **CAB.628**

Description : Taoglas Cable Assembly  
IPEX MHFI to RP-SMA(F) Bulkhead Straight Connector  
with 95mm  $\varnothing$ 1.13 cable

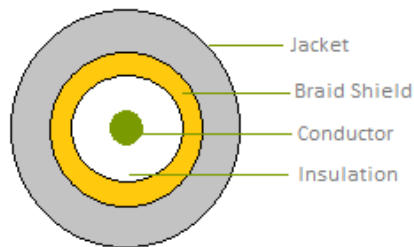


# 1. Cable Insertion Loss

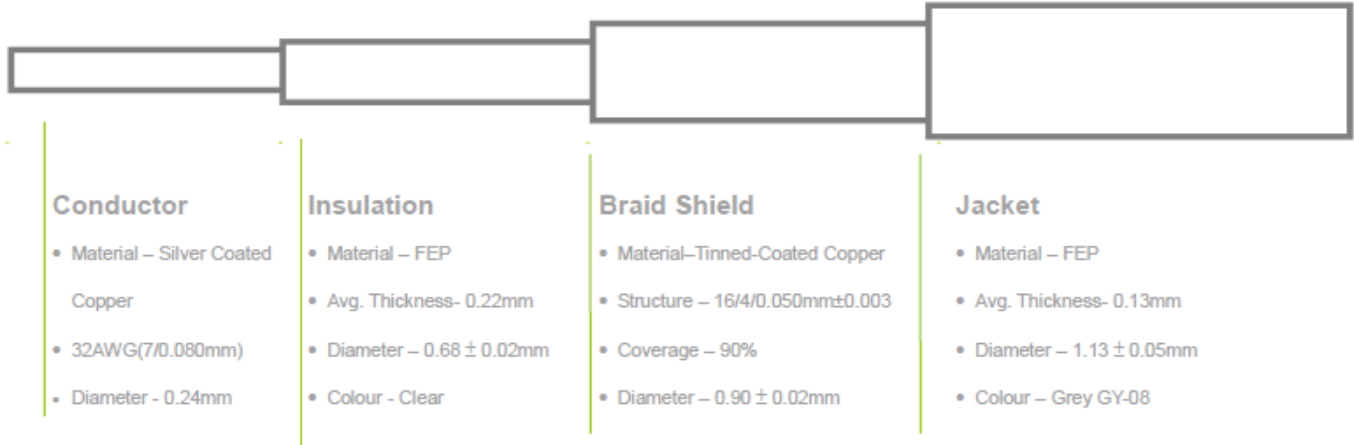


# 2. 1.13 Cable Specification

## 2.1 Drawing – Cross Section



## 2.2 Structure and Dimensions

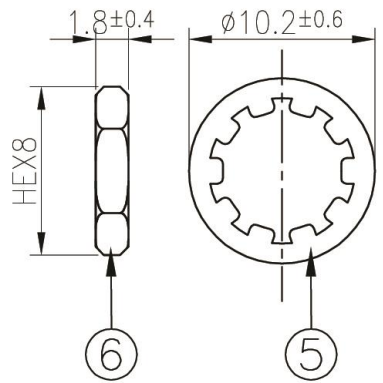
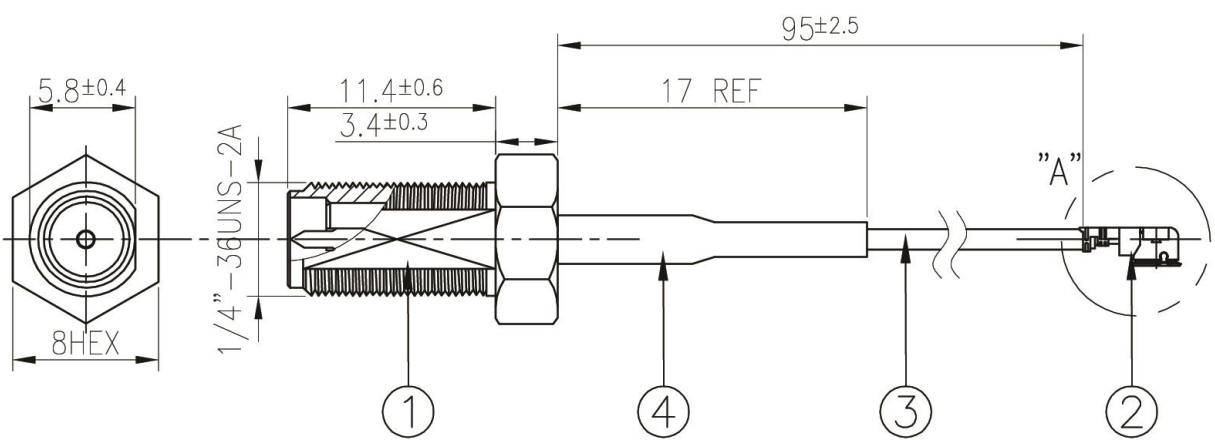
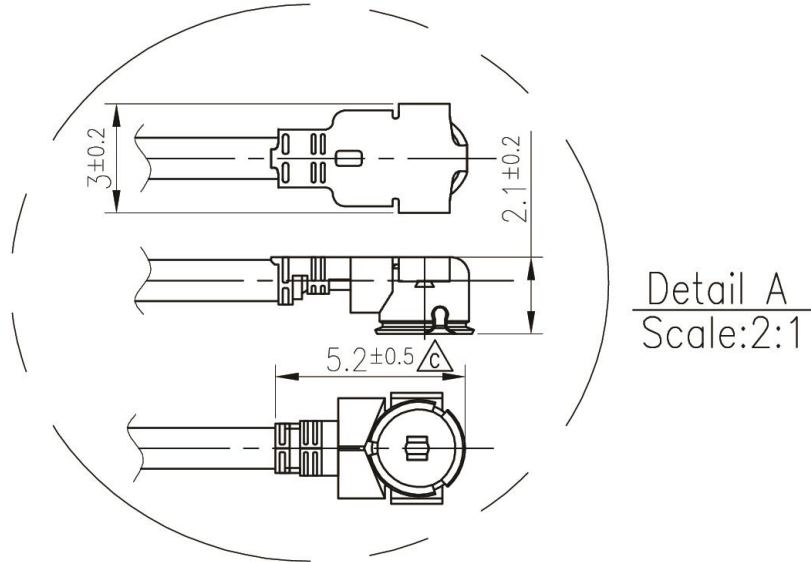


## 2.3 Electrical & Physical Specification

1	Item:	32 AWG		
2	Rating Temp Voltage:	105°C 30V UL 1979		
3	Insulation Resistance:	1000 MEGA OHM-KM Min.		
4	Conductor Resistance:	545 OHM/KM/20°C Max.		
5	Dielectric Strength:	AC 1.0 KV/minute		
6	Spark test:	2.5 KV		
7	Insulation	Unaged	Tensile Strength Elongation	2500 PSI Min.(1.76Kg/mm <sup>2</sup> ) 200% min.
		Aged	Tensile Strength Elongation	Unaged Min 75%(168HRS*232°C) Unaged Min 75%(168HRS*232°C)
8	Jacket	Unaged	Tensile Strength Elongation	2500 PSI Min.(1.76Kg/mm <sup>2</sup> ) 200% min.
		Aged	Tensile Strength Elongation	Unaged Min 75%(168HRS*232°C) Unaged Min 75%(168HRS*232°C)
9	Nom. Impedance	50 ± 3 Ohms		
10	Nom. Capacitance	96 ± 3 pF/m		
11	Nom. Vel. Of Prop.	69%		
12	VSWR (0-6GHz)	Max 1.3		
13	Flame Test	VW-1 OK		
14	Attenuation (dB/1M)	2.0GHz	2.80	
		2.4GHz	3.10	
		3.0GHz	3.50	
		4.0GHz	4.00	
		5.0GHz	4.60	
		6.0GHz	5.10	

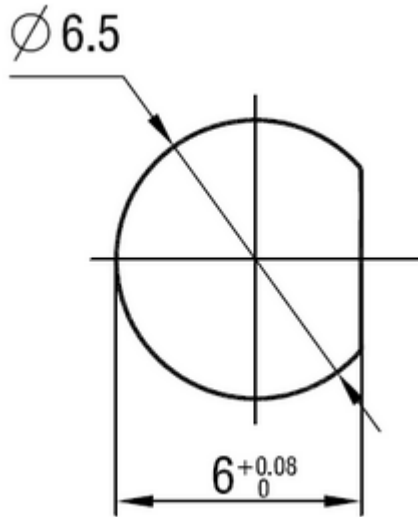
### 3. Technical Drawing

#### 3.1 CAB.628



	Name	Material	Finish	QTY
1	RP-SMA(F)BK ST	Brass	Au Plated	1
2	IPEX MHFI	Brass	Au Plated	1
3	1.13 Coaxial Cable	FEP	Black	1
4	Heat Shrink Tube	PE	Black	1
5	Washer	Brass	Au Plated	1
6	Nut	Brass	Au Plated	1

### 3.2 Recommended Mounting Hole – SMA(F) Bulkhead



Taoglas makes no warranties based on the accuracy or completeness of the contents of this document and reserves the right to make changes to specifications and product descriptions at any time without notice.

Taoglas reserves the rights to this document and the information contained herein. Reproduction, use or disclosure to third parties without express permission is strictly prohibited.

Copyright © Taoglas Ltd.