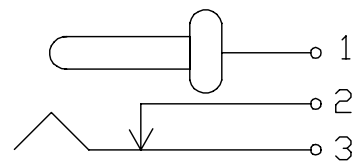
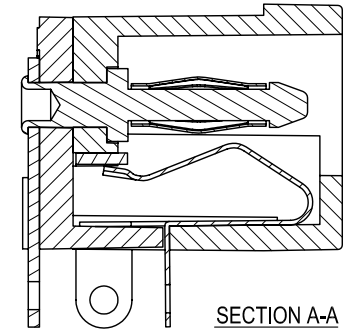
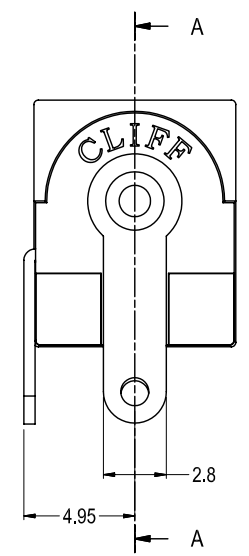
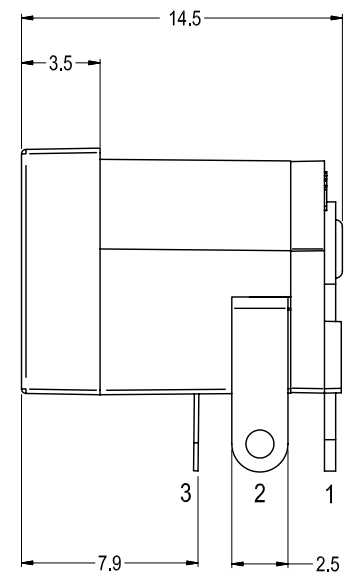
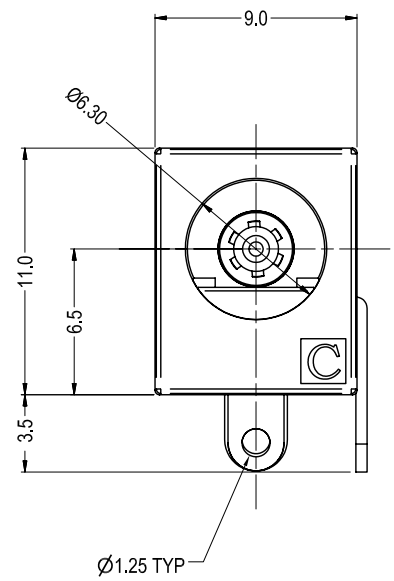
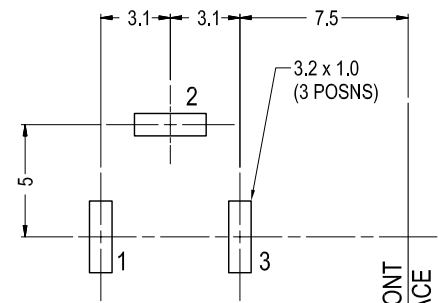


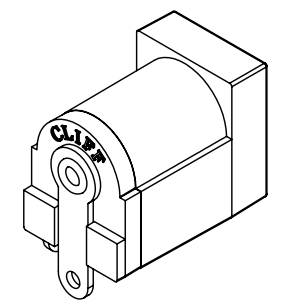
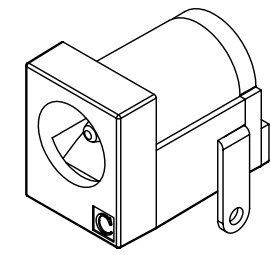
ISS.	AMEND	DATE
1	ISSUED	24/08/09
2	BORDER UPDATE	03/09/10



**SCHEMATIC**



**PC LAYOUT  
(COMPONENT SIDE)**



**NOTES:-**

- SUITABLE FOR USE WITH Ø2.1mm OR Ø2.5mm DC PLUG.
- RATED: 5A / 24V DC  
LIFE: 5,000 INSERTIONS MINIMUM.  
INSULATION RESISTANCE BETWEEN ANY OPEN CONTACT:  
>100MΩ @ 500V DC.

RoHS COMPLIANT
<b>TOLERANCE</b>
NO DEC. PLACE ±0.50
1 DEC. PLACE ±0.20
2 DEC. PLACE ±0.10
HOLE Ø ±0.10
ANGLES ± 1/2°
UNLESS OTHERWISE STATED

**Cliff Electronic Components Ltd.**  
76 Holmethorpe Avenue, Holmethorpe Industrial Estate,  
Redhill, Surrey, RH1 2PF, England, UK  
Tel: 01737-771375 Fax: 01737-766012 Website: www.cliffuk.co.uk

DIMENSIONS IN MILLIMETERS UNLESS OTHERWISE STATED. WORK TO DIMENSIONS. REMOVE ALL BURRS. IF IN DOUBT ASK.

3rd ANGLE PROJECTION:

DO NOT SCALE

MATERIAL: PBT 15%GF HOUSING

TITLE: DC POWER SOCKET DC10L (SOLDER TAG)

FINISH: AS MOULDED / TIN PLATED TAGS

DRAWN: N.J.B.

APPROVED: D.P.J.

DRWG. No. **FCR681465**

FORM: A4DRWGH

THE CONTENTS OF THIS DOCUMENT MUST NOT BE COPIED OR DISCLOSED TO A 3rd PARTY WITHOUT WRITTEN PERMISSION OF CLIFF UK. © 2009