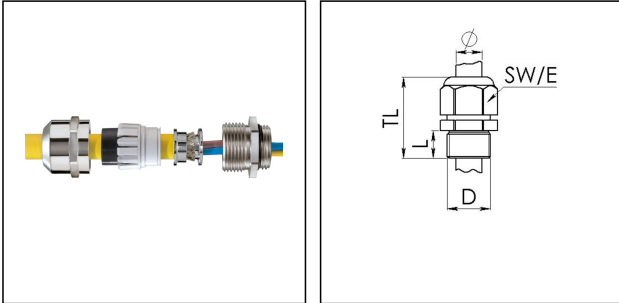


## EMSKV 12 EMV-Z

EMC-cable gland, brass with short thread



Product illustrations are exemplary and may differ from the chosen product. Further variants and individual customization, we will gladly provide you on request.



|                            |                           |
|----------------------------|---------------------------|
| Material cable gland       | Brass nickel-plated       |
| Material sealing gasket    | EPDM                      |
| Material clamping cage     | Polyamide                 |
| Material earthing insert   | Brass chromium-plated     |
| Temp. range min            | -40 °C                    |
| Temp. range max            | 100 °C                    |
| Protection class           | IP68 (5 bar 30 min), IP69 |
| Thread type                | M                         |
| Ø Connection thread D      | 12                        |
| Lead                       | 1,5                       |
| Length screw-in thread L   | 5 mm                      |
| Ø cable diameter min       | 3 mm                      |
| Ø cable diameter max       | 7 mm                      |
| Ø cable below cable shield | 5 mm                      |
| Ø cable diameter UL        | 4,1 mm - 6 mm             |
| Key width SW               | 16 mm                     |
| Collar diameter (E)        | 18 mm                     |
| Total length TL            | 23 mm - 30 mm             |
| Type of cable anchorage    | A                         |
| Install. torques fitting   | 4 N/m                     |
| Install. torques cap nut   | 4 N/m                     |
| Impact category            | 6                         |
| Surface                    | Nickel-plated             |
| Order no. nickel-plated    | 10065016                  |
| Type                       | EMSKV 12 EMV-Z            |

Your Contact:

WISKA UK Ltd.

Unit 7, Hurling Way · St. Columb Major Business Park · TR9 6SX, St. Columb Major, Cornwall · Great Britain

☎ +44-12-08816062 · 📠 +44-12-08816708

info@wiska.co.uk · www.wiska.co.uk

Packing unit

50

ETIM-Classification

EC000441

**Recommended accessories**



|                    |          |
|--------------------|----------|
| <b>RDE 12</b>      | 10062183 |
| <b>EMMU-EMV 12</b> | 10063210 |
| <b>BS 7</b>        | 10064005 |

19.03.2019

Your Contact:

**WISKA UK Ltd.**

Unit 7, Hurling Way · St. Columb Major Business Park · TR9 6SX, St. Columb Major, Cornwall · Great Britain

 +44-12-08816062 ·  +44-12-08816708

info@wiska.co.uk · www.wiska.co.uk



Your Contact:

**WISKA UK Ltd.**

Unit 7, Hurling Way · St. Columb Major Business Park · TR9 6SX, St. Columb Major, Cornwall · Great Britain

☎ +44-12-08816062 · 📠 +44-12-08816708

info@wiska.co.uk · www.wiska.co.uk