

T.270 | Plugs

Duroplast



MATERIAL

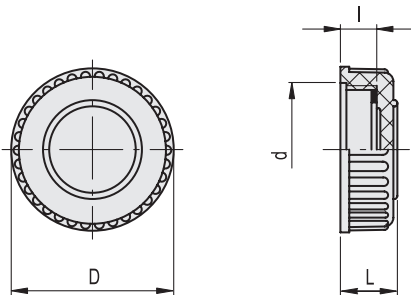
Phenolic based (PF) Duroplast, black colour, glossy finish.

PACKING RING

NBR synthetic rubber.

MAXIMUM CONTINUOUS WORKING TEMPERATURE

100°C.



Code	Description	d	l	D	L	
58001	T.270-1/2	G 1/2	9	32	14	9
58011	T.270-3/4	G 3/4	10	39	15	15
58021	T.270-1	G 1	11	45	17	20
58031	T.270-1¼	G1 1/4	12	55	19	42

T.470 | Plugs

Technopolymer



MATERIAL

Polyamide based (PA) technopolymer, black colour, matte finish.

PACKING RING

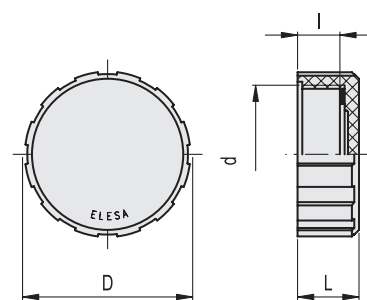
NBR synthetic rubber.

MAXIMUM CONTINUOUS WORKING TEMPERATURE

100°C.

SPECIAL EXECUTIONS ON REQUEST

Words, marks and graphic symbols can be tampprinted on the cap.



Code	Description	d	l	D	L	
58231	T.470-60x2	M60x2	19	70	26	55
58251	T.470-1	G 1	9,5	42	16	17
58281	T.470-2	G 2	19	70	26	58

ELESA Original design



Accessories for hydraulic systems