
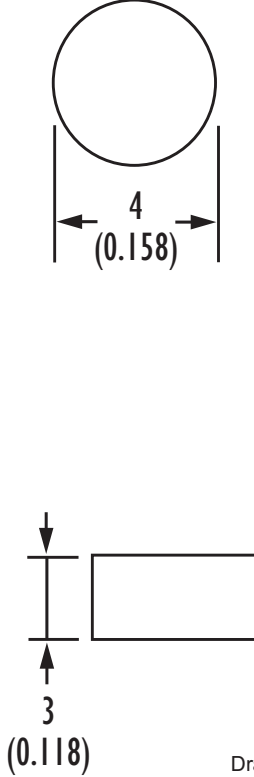


PICTURE	DIMENSIONS
	

✓RoHS Compliant

Drawings not to scale
 All dimensions in mm nominal

SPECIFICATION	
Gauss strength at surface	3200
Magnet Material	Neodymium Iron Boron
Operating Temperature	140°C Max.
Plating	Bright Nickel
Grade	N35H

Applications Include	Options
<ul style="list-style-type: none"> ● Position and limit sensing. ● Linear actuators. ● Security system switch. ● Door Switch. 	<ul style="list-style-type: none"> ● Other sizes available ● Neodymium and Alcomax versions. ● Housed and threaded magnets available

Did you know we also sell?



● If you do not see what you need, just ask, as there is a strong possibility we can do it !

Rev. No.	Revision Note	Date	Signature
2	Datasheet revision	21-01-13	ML



As part of the company policy of continued product improvement, specifications may change without notice. Our sales office will be pleased to help you with the latest information on this product range and the details of our full design and manufacturing service. All products are supplied to our standard conditions of sale unless otherwise agreed in writing.

Phone : +44 (0)1255 862236 www.comuseurope.co.uk Fax: +44 (0)1255 862014