

M8 MALE 0° , SHIELDED

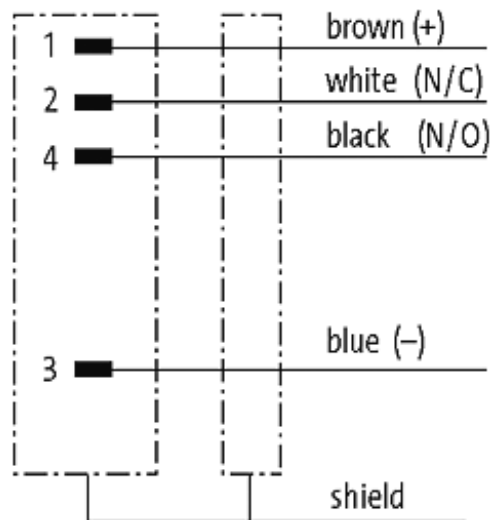
PVC 4X0.34 shielded GRAY, UL,CSA 7.5m

M8

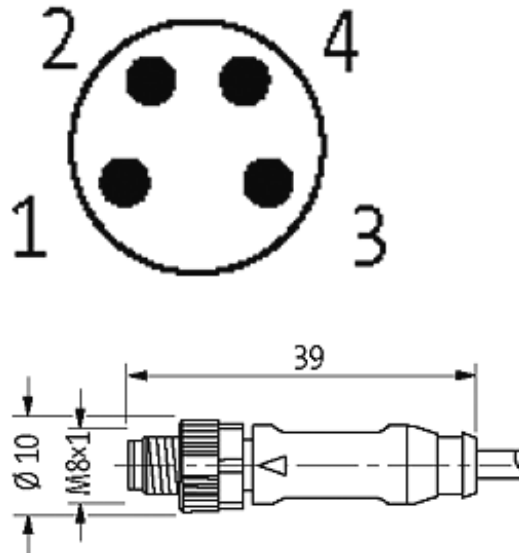
Male straight

4-pole, shielded

Plastic housings with good resistance against chemicals and oils. The resistance to aggressive media should be individually tested for your application. Further details on request.

[Link to Product](#)**Illustration**

Male



Product may differ from Image

Approvals



Form

08711

Technical Data

| | |
|-------------------------------|------------------------------------------------------------------|
| Operating voltage | max. 30 V AC/DC |
| Operating current per contact | max. 4 A |
| Locking of ports | Screw thread M8 × 1 mm (recommended torque 0.4 Nm) self-securing |
| Protection | IP67 inserted and tightened (EN 60529) |

Cables

| | |
|-----------------------------|--------------------------|
| Cable number | 201 |
| No./diameter of wires | 4 × 0.34 mm ² |
| Wire isolation | PVC (br, wh, bl, bk) |
| Jacket Color | gray |
| Shore hardness outer jacket | 85 ± 5A |
| Material (jacket) | PVC (UL/CSA) |
| Outer diameter | approx. 5.3 mm |
| Bend radius (fixed) | 10 × outer Ø |

The information in this brochure has been compiled with the utmost care.

Liability for the correctness completeness and topicality of the information is restricted to gross negligence. Version: 05/15

| | |
|----------------------------|--------------|
| Bend radius (moving) | 10 × outer Ø |
| Temperature range (fixed) | -30...+80 °C |
| Temperature range (mobile) | -5...+80 °C |
| Shielded | yes |

General data

| | |
|-------------------|------------------------------------------|
| Temperature range | -25...+85 °C, depending on cable quality |
|-------------------|------------------------------------------|

Commercial data

| | |
|------------------------|----------|
| country of origin | DE |
| customs tariff number | 85444290 |
| minimum order quantity | 1 |