



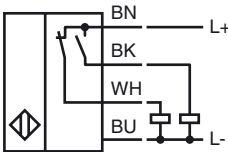
**Model Number**

CCN15-30GS60-A2

**Features**

- 15 mm non-flush
- Operating distance adjustable via potentiometer
- High EMC resistance
- Stainless steel version
- Complementary outputs
- Operating voltage range 10 V ... 60 V DC

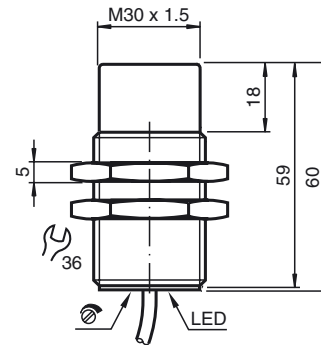
**Connection**



**Accessories**

**BF 30**  
Mounting flange, 30 mm

**Dimensions**



**Technical Data**

**General specifications**

Switching element function	PNP	NO/NC
Rated operating distance	$s_n$	15 mm
Installation		non-flush
Output polarity		DC
Assured operating distance	$s_a$	0 ... 12.1 mm

**Nominal ratings**

<b>Installation conditions</b>	
A	18 mm
B	10 mm
C	30 mm
F	60 mm
Operating voltage	$U_B$ 10 ... 60 V DC
Switching frequency	$f$ 0 ... 10 Hz
Reverse polarity protected	reverse polarity protected
Short-circuit protection	pulsing
Voltage drop	$U_d$ $\leq$ 2.8 V
Operating current	$I_L$ 0 ... 200 mA
Off-state current	$I_r$ 0 ... 0.5 mA typ. 0.1 $\mu$ A at 25 °C
No-load supply current	$I_0$ $\leq$ 20 mA
Indication of the switching state	LED, yellow

**Functional safety related parameters**

MTTF <sub>d</sub>	750 a
Mission Time (T <sub>M</sub> )	20 a
Diagnostic Coverage (DC)	0 %

**Indicators/operating means**

Potentiometer	sensitivity adjustment
---------------	------------------------

**Ambient conditions**

Ambient temperature	-25 ... 70 °C (-13 ... 158 °F)
Storage temperature	-40 ... 85 °C (-40 ... 185 °F)

**Mechanical specifications**

Connection type	cable PVC , 2 mm
Core cross-section	0.75 mm <sup>2</sup>
Housing material	Stainless steel 1.4305 / AISI 303
Sensing face	PBT
Protection degree	IP67

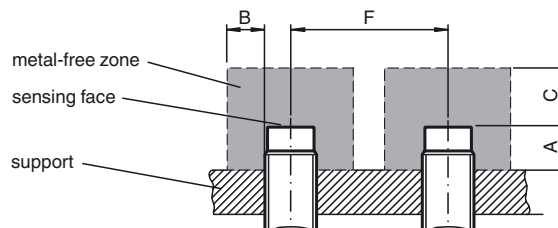
**Compliance with standards and directives**

<b>Standard conformity</b>	
Standards	EN 60947-5-2:2007 IEC 60947-5-2:2007

**Approvals and certificates**

UL approval	cULus Listed, General Purpose
CSA approval	cCSAus Listed, General Purpose

**Installation conditions**



Release date: 2012-05-29 15:30 Date of issue: 2012-05-29 189956\_eng.xml