



TOGGLE SWITCH, 16MM, ROUND, PLASTIC, GREEN,  
2 SWITCH POSITIONS O-I, LATCHING, ACTUATING  
ANGLE 90 DEGREES

Figure similar

Design of the product		Single device round
<b>Enclosure:</b>		
Number of control points		1
<b>Actuator:</b>		
Design of the operating mechanism		selector switch
Manner of function of the actuating element		Latching
Product expansion optional Light source		No
Color		
• of the actuating element		Green
Material of the actuating element		plastic
Outer diameter of the actuating element	mm	19
Type of unlocking device		rotate-to-unlatch mechanism
Number of switching positions		2
Actuating angle		
• clockwise	°	90
<b>Front ring:</b>		
Product component front ring		Yes
Design of the front ring		Standard
Material of the front ring		plastic
Color of the front ring		black
<b>Holder:</b>		
Material of the holder		Plastic
<b>General technical data:</b>		
Product function		

<ul style="list-style-type: none"> <li>• EMERGENCY OFF function</li> <li>• EMERGENCY STOP function</li> </ul>		No
<b>Vibration resistance</b>		
<ul style="list-style-type: none"> <li>• acc. to IEC 60068-2-6</li> </ul>		20 ... 200 Hz: 5g
<b>Operating frequency maximum</b>	1/h	1 000
<b>Mechanical service life (switching cycles)</b>		
<ul style="list-style-type: none"> <li>• typical</li> </ul>		300 000
<b>Protection class IP</b>		IP65
<b>Equipment marking</b>		
<ul style="list-style-type: none"> <li>• acc. to DIN 40719 extended according to IEC 204-2 acc. to IEC 750</li> <li>• acc. to DIN EN 61346-2</li> <li>• acc. to DIN EN 81346-2</li> </ul>		S S S

#### Ambient conditions:

<b>Ambient temperature</b>		
<ul style="list-style-type: none"> <li>• during operation</li> </ul>	°C	-25 ... +70
<ul style="list-style-type: none"> <li>• during storage</li> </ul>	°C	-40 ... +80

#### Installation/ mounting/ dimensions:

<b>Mounting type</b>		front mounting
<b>Shape of the installation opening</b>		round
<b>Mounting diameter</b>	mm	16

#### Certificates/ approvals:

General Product Approval		Declaration of Conformity	Test Certificates	other
 CSA	 UL		 EG-Konf.	<a href="#">Special Test Certificate</a> <a href="#">Confirmation</a>

#### other

[other](#)      [Environmental Confirmations](#)

#### Further information

**Information- and Downloadcenter (Catalogs, Brochures,...)**

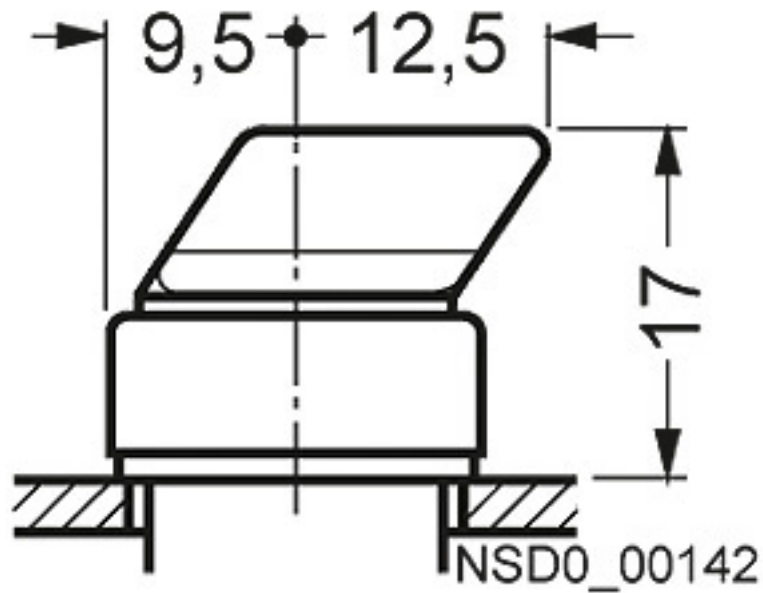
<http://www.siemens.com/industrial-controls/catalogs>

**Industry Mall (Online ordering system)**

<http://www.siemens.com/industrymall>

**Cax online generator**

<http://support.automation.siemens.com/WW/CAXorder/default.aspx?lang=en&mlfb=3SB20002HE01>



last modified:

09.03.2015