



Datenblatt - Fiche technique - Data sheet

11.04.5831

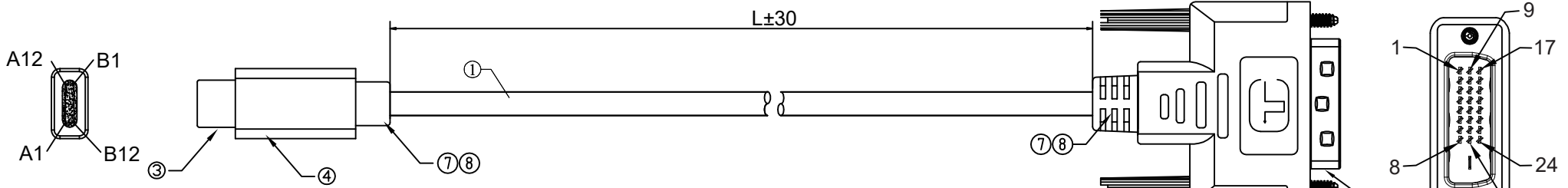


ROLINE USB Typ C - DVI Adapterkabel, ST/ST, 2,0 m

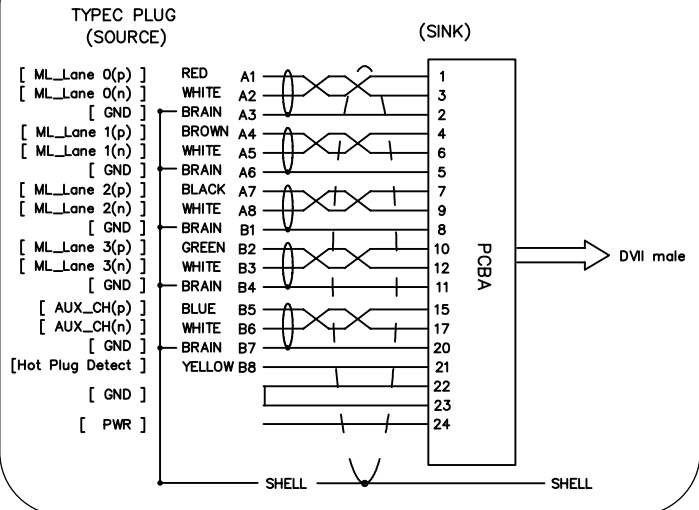
ROLINE Câble adaptateur type C - DVI, M/M, 2,0 m

ROLINE USB Type C - DVI Cable, M/M, 2.0 m

Type C Male



Pin Assignment



Note: Type C TO DVI Real Machine Detection
Source Resolution:
3840 * 2160P Refresh @Rate: 30HZ

Specification :

- 1 Cable UL20276, [(32AWG*1P+D+AL/MY)*4C+32AWG*5C+24AWG*2C]+AL/MY+BD, Jacket Color: Black, OD: 4.8±0.15 mm
- 2 Conn. DVI Male. Shell: Nickel Plated W/PCBA
- 3 Conn. Type C Male. Insulator: Black. Shell: Nickel Plated
- 4 Outer Cover For Type C Male. ABS
- 5 Outer Cover For DVI Male. ABS
- 6 Screw #4-40 UNC, Color: Black
- 7 Inside Molding PE
- 8 Outside Molding PVC: 45P. Color: Black

Table :

Part No.	Length	Resistance
11.04.5830	1000mm	2 ohm
11.04.5831	2000mm	2 ohm

Rev.	Date	Contents of Change	Designer	Tol±	Pl	Met	Ins	Por	Cab	Pac	Gas	Dis	Approve	Check	Draw	Design	Product Name	Product No.
△				Range									Allen	Allen	Philip	ROLINE Adapter Cable USB Type C-DVI, M/M, Black	11.04.5830 / 11.04.5831	R00
△				0~6	0.1	0.1	0.1	0.2	0.5	1	0.5	0.2						
△				6~30	0.1	0.1	.15	.25	1	1	0.5	.25						
△				30~80	0.1	.15	0.2	0.3	2	1.5	1	0.3						
△				80~180	.15	.15	.25	0.3	2	2	1	.45						
△				180~315	.15	0.2	0.3	0.4	2.5	2	1	0.6						
△				315~800	0.2	0.3	0.4	0.5	3	3	2	1.1						



Scale 1 : 1 Unit mm