

# TAMPERPROOF THERMOSTAT

## FTO 011 / FTS 011



- > Compact design
- > Fixed set point

- > Color coded modules
- > DIN rail mountable

**Tamperproof (Pre-set) Thermostat NC (normally closed):** Thermostat opens on temperature rise (red module housing) – for regulating heaters or for switching signal devices when temperature has fallen below the minimum value.

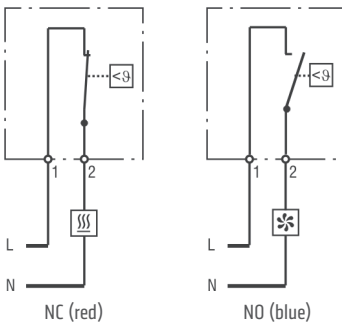
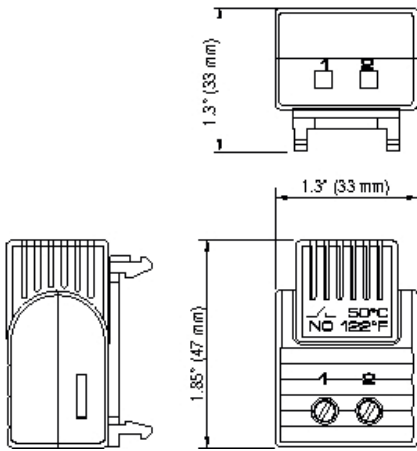
**Tamperproof (Pre-set) Thermostat NO (normally open):** Thermostat closes on temperature rise (blue module housing) – for regulating filter fans, heat exchangers, cooling devices or for switching signal devices when temperature limit has been exceeded.



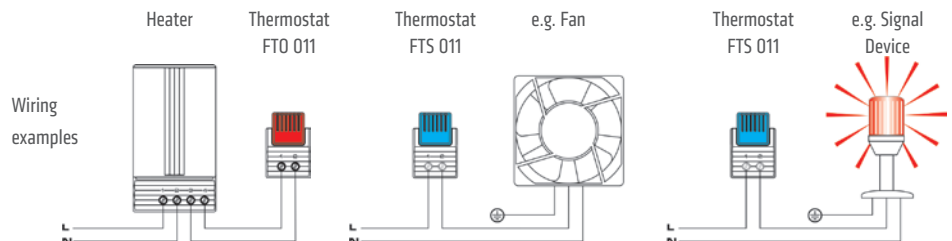
### TECHNICAL DATA

Sensor element	thermostatic bimetal
Contact type	snap-action contact
Service life	> 100,000 cycles
Max. switching capacity	10 A resistive / 2 A inductive @ AC 120 V 5 A resistive / 1.6 A inductive @ AC 250 V DC 30 W
Max. inrush current	AC 16 A for 10 sec.
Connection	2-pole terminal, clamping torque 0.8 Nm max.: solid/stranded <sup>1</sup> wire - AWC 14 max. (2.5 mm <sup>2</sup> )
Housing	plastic, UL 94V-0, light grey
Mounting	clip for 35 mm DIN rail, EN 60715
Mounting position	vertical
Operating / Storage temperature	-40 to +176 °F (-40 to +80 °C) / -49 to +176 °F (-45 to +80 °C)
Operating / Storage humidity	max. 95 %RH (non-condensing)
Dimensions	1.85 x 1.3 x 1.3" (47 x 33 x 33 mm)
Weight	approx. 0.8 oz. (23 g)
Protection type	IP20
Approvals	UL File No. E164102, VDE, EAC (Eurasian Conformity)

<sup>1</sup> When connecting with stranded wires, wire end ferrules must be used.



- Enclosure heater
- Filter fan, cooling equipment, signal device



Part No.	Contact	Switch-off temperature	Switch-on temperature
01160.0-00	NC - open on rise	59 °F / 15 °C (± 9 °F / 5 K tolerance)	41 °F / 5 °C (± 9 °F / 5 K tolerance)
01160.0-01	NC - open on rise	77 °F / 25 °C (± 9 °F / 5 K tolerance)	59 °F / 15 °C (± 9 °F / 5 K tolerance)
Part No.	Contact	Switch-on temperature	Switch-off temperature
01161.0-00	NO - close on rise	122 °F / 50 °C (± 11 °F / 6 K tolerance)	104 °F / 40 °C (± 12.6 °F / 7 K tolerance)
01161.0-01	NO - close on rise	140 °F / 60 °C (± 11 °F / 6 K tolerance)	122 °F / 50 °C (± 12.6 °F / 7 K tolerance)
01161.0-02	NO - close on rise	95 °F / 35 °C (± 11 °F / 6 K tolerance)	77 °F / 25 °C (± 12.6 °F / 7 K tolerance)

Note: Other switch-off and switch-on temperatures on request.