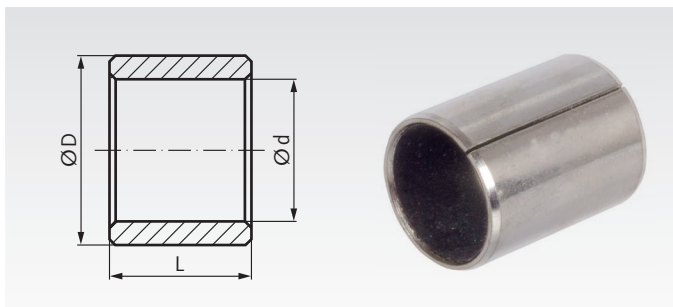


Cylindrical Bushes, Slotted, Self-Lubricating



Plain bearing bush from steel sheet with multi-porous bronze layer and sliding surface from PTFE-lead-compound. Specially suited for lubrication-free running, for high loads, extreme temperatures.

Ordering Details: e.g.: Product No. 624 003 04, Cylindrical Bush, 3 mm Bore

Product No.	d mm	D mm	L mm	Weight g	Product No.	d mm	D mm	L mm	Weight g
624 003 04	3	4,5	4	0,1	624 022 20	22	25	20	16,6
624 003 05	3	4,5	5	0,3	624 024 25	24	27	25	23,8
624 003 06	3	4,5	6	0,4	624 025 15	25	28	15	14,2
624 004 04	4	5,5	4	0,3	624 025 20	25	28	20	10,0
624 004 06	4	5,5	6	0,6	624 025 25	25	28	25	23,9
624 004 08	4	5,5	8	0,9	624 025 30	25	28	30	28,4
624 005 05	5	7	5	0,7	624 025 40	25	28	40	37,3
624 005 08	5	7	8	1,1	624 026 15	26	30	15	15,6
624 006 05	6	8	5	0,7	624 026 20	26	30	20	26,1
624 006 06	6	8	6	0,9	624 026 30	26	30	30	39,0
624 006 10	6	8	10	1,7	624 028 20	28	32	20	28,8
624 007 10	7	9	10	1,8	624 028 25	28	32	25	39,0
624 008 06	8	10	6	1,2	624 030 12	30	34	12	17,5
624 008 08	8	10	8	1,7	624 030 15	30	34	15	22,9
624 008 10	8	10	10	2,1	624 030 20	30	34	20	30,9
624 009 10	9	11	10	2,2	624 030 30	30	34	30	46,1
624 010 06	10	12	6	1,9	624 030 35	30	34	35	53,0
624 010 08	10	12	8	2,0	624 032 20	32	36	20	32,0
624 010 10	10	12	10	2,5	624 032 25	32	36	25	40,2
624 010 12	10	12	12	2,9	624 035 20	35	39	20	35,4
624 010 15	10	12	15	3,8	624 035 40	35	39	40	70,8
624 010 20	10	12	20	5,3	624 038 30	38	42	30	56,9
624 012 06	12	14	6	1,7	624 040 20	40	44	20	40,0
624 012 08	12	14	8	2,0	624 040 30	40	44	30	60,2
624 012 10	12	14	10	3,0	624 040 50	40	44	50	101,5
624 012 12	12	14	12	3,7	624 050 30	50	55	30	95,0
624 012 15	12	14	15	4,7	624 050 50	50	55	50	159,9
624 012 20	12	14	20	6,1	624 055 50	55	60	50	172,0
624 014 10	14	16	10	3,6	624 060 30	60	65	30	113,0
624 014 20	14	16	20	7,1	624 060 50	60	65	50	188,0
624 015 10	15	17	10	3,8	624 060 70	60	65	70	264,5
624 015 12	15	17	12	4,5	624 065 50	65	70	50	205,0
624 015 15	15	17	15	5,7	624 070 40	70	75	40	174,0
624 015 20	15	17	20	7,6	624 070 60	70	75	60	216,3
624 016 10	16	18	10	4,6	624 070 80	70	75	80	348,0
624 016 15	16	18	15	6,1	624 080 40	80	85	40	198,0
624 016 20	16	18	20	8,1	624 080 60	80	85	60	297,0
624 016 25	16	18	25	10,1	624 080 80	80	85	80	394,0
624 018 20	18	20	20	8,9	624 090 50	90	95	50	275,5
624 020 10	20	23	10	8,8	624 090 80	90	95	80	440,5
624 020 12	20	23	12	8,8	624 090 99	90	95	100	551,0
624 020 15	20	23	15	11,6	624 100 50	100	105	50	310,0
624 020 20	20	23	20	15,1	624 100 80	100	105	80	496,0
624 020 30	20	23	30	23,0	624 100 99	100	105	115	713,0

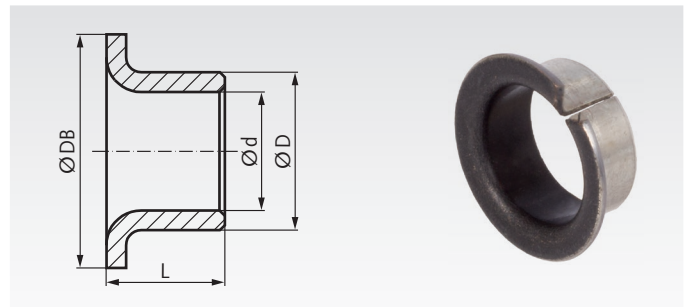
Note:

According to DIN ISO 3547 the supplied bush may be unround and with open slot. After pressing the slotted bush into an H7-bore, it usually is round and the gap (the slot) is closed.



Loctite bonding products (bearing adhesive) page 1036.

Flange Bushes, Slotted, Self-Lubricating



Plain bearing flange bush from steel sheet with multi-porous bronze layer and sliding surface from PTFE-lead-compound. Specially suited for lubrication-free running, for high loads, extreme temperatures.

Ordering Details: e.g.: Product No. 624 103 04, Flange Bush, 3mm Bore

Product No.	d mm	D mm	DB mm	L mm	Weight g
624 103 04	3	4,5	7	5,0	0,3
624 104 04	4	5,5	9	5,6	0,5
624 105 05	5	7	10	6,0	0,9
624 106 06	6	8	12	7,0	1,4
624 108 06	8	10	15	5,5	1,9
624 108 08	8	10	15	9,5	2,3
624 110 08	10	12	18	9,0	2,9
624 110 12	10	12	18	12	4,0
624 112 15	12	14	20	17	5,6
624 114 15	14	16	22	17	6,2
624 115 12	15	17	23	12	5,0
624 115 20	15	17	23	17	8,5
624 116 20	16	18	24	17	9,1
624 118 12	18	20	26	12	6,6
624 120 12	20	23	30	11,5	13,7
624 122 20	22	25	32	21,5	21,0
624 125 25	25	28	35	26,5	27,3
624 130 30	30	34	42	30	53,3
624 135 20	35	39	47	26	46,0
624 135 40	35	39	47	40	81,4
624 140 40	40	44	53	26	92,0
624 150 40	50	55	60	22	145,8

Construction

Tin-plated steel back (incl. edges). Multi-porous bronze layer, sliding surface PTFE-lead-compound.

Technical data

Stat. surface pressure max. 250 N/mm²
 Dyn. bearing load max. 56 N/mm²
 Friction coefficient von 0.03 - 0.20
 Sliding speed max. 2 m/s
 Temperature range -195°C to + 280°C
 Therm. conductivity 40 W/K · m

Recommended mounting tolerances

Housing bore H7, shaft tolerance up to 55 Ø f7 above 55 Ø h8

Paired contact surface

Recommended: hardened contact surfaces with a surface roughness of R_z3 and finer.

Main characteristics

Self lubricating and maintenance free, ready to install. Perfectly suited for lower sliding speeds. Low wear, low friction coefficient, no „stick slip“. Perfectly suited for circular, swivelling and partly for axial movement. Can be used at extremely high bearing loads. No moisture absorption. High corrosion resistance.

Mounting instructions

The edges of the mounting hole must be rounded or chamfered. We recommend using an arbor press for mounting. The gliding surface must not be damaged. The butt joint must be located opposite the load area. Once mounted the bearing has pressfit. Glueing is possible, but not necessary.

Application range

Textile machinery, controls and instruments, packing plants, electronic goods, medical equipment, paper machines, brake and pump manufacturing, agricultural and construction machinery, fork lift trucks, car and motorbike manufacture, machine tool building, conveyor plants, escalator manufacture, hoisting devices, turbine manufacturing, steel construction for hydraulic engineering, etc.

Service life

The service life of the bearing depends on ambient conditions as: sliding speed, load, temperature, on-time, paired contact surface, etc. For lower wear, please regard the load and mounting instructions above, and protect the bearing from corrosive influences and large amounts of dirt.