

Plug

UHF, Crimp, RG58

multicomp PRO



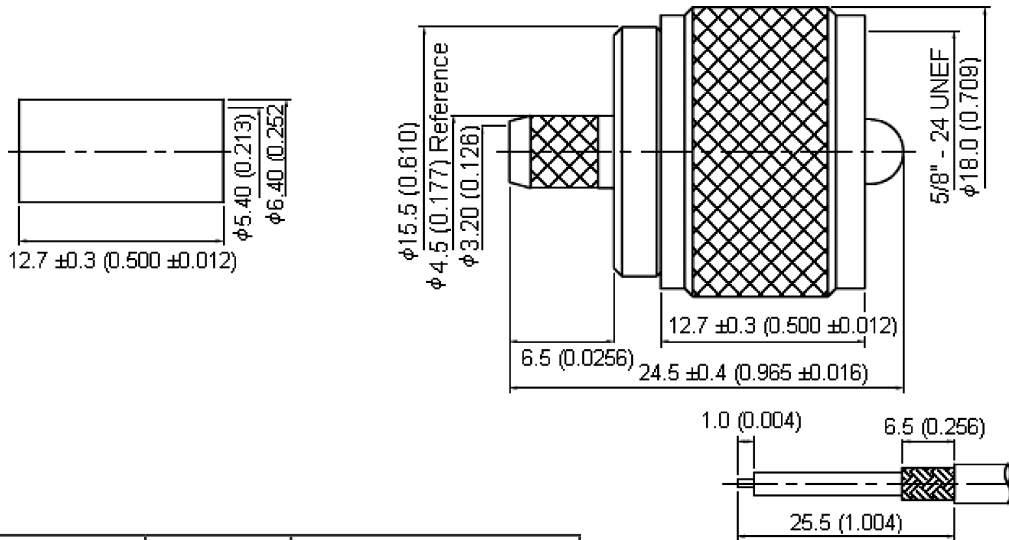
Specifications:

Connector Type	: UHF Coaxial
Body Style	: Straight Plug
Coaxial Termination	: Crimp
Impedance	: 50Ω
Contact Material	: Brass
Contact Plating	: Nickel
Frequency Max.	: 300MHz
Connector Mounting	: Cable
Cable Diameter Max.	: 5mm
Coaxial Type	: RG58, RG58A, 141A
External Length / Height	: 26.5mm
Insulation Resistance	: 500MΩ
Insulator Material	: Polyoxymethylene
Thread Size	: 5/8"
Working Voltage	: 500V
Bodies	: Brass per JIS-C3604
Centre Contact	: Brass per JIS-C3604
Insulation	: PTFE per ASTM D1457 and ASTM D1710
Crimp Ferrule	: Brass per JIS-C2700
Part to be clean and free of burrs	

Plug UHF, Crimp, RG58

multicomp PRO

Diagram



Stripping Dimension

Dimensions : Millimetres (Inches)

Description	Material	Finish
Body	Brass	Nickel 100µ" Min.
Insulation I	POM	None
Insulation II		
Washer	Brass	Nickel 100µ" Min.
Shell		
Centre Contact		
Crimp Ferrule		

Part Number Table

Description	Part Number
Plug, UHF, Crimp, RG58 /UR43 / 76	MC-17-03F-8

Important Notice : This data sheet and its contents (the "Information") belong to the members of the AVNET group of companies (the "Group") or are licensed to it. No licence is granted for the use of it other than for information purposes in connection with the products to which it relates. No licence of any intellectual property rights is granted. The Information is subject to change without notice and replaces all data sheets previously supplied. The Information supplied is believed to be accurate but the Group assumes no responsibility for its accuracy or completeness, any error in or omission from it or for any use made of it. Users of this data sheet should check for themselves the Information and the suitability of the products for their purpose and not make any assumptions based on information included or omitted. Liability for loss or damage resulting from any reliance on the Information or use of it (including liability resulting from negligence or where the Group was aware of the possibility of such loss or damage arising) is excluded. This will not operate to limit or restrict the Group's liability for death or personal injury resulting from its negligence. Multicomp Pro is the registered trademark of Premier Farnell Limited 2019.

Newark.com/multicomp-pro
Farnell.com/multicomp-pro
Element14.com/multicomp-pro

multicomp PRO