



Nothing but **HEAVY DUTY.**



**M18 SIC36**

**M18 SIC60**

**M18 SISH**

click	➔	<b>GB</b>	Original instructions
click	➔	<b>D</b>	Originalbetriebsanleitung
click	➔	<b>F</b>	Notice originale
click	➔	<b>I</b>	Istruzioni originali
click	➔	<b>E</b>	Manual original
click	➔	<b>P</b>	Manual original
click	➔	<b>NL</b>	Oorspronkelijke gebruiksaanwijzing
click	➔	<b>DK</b>	Original brugsanvisning
click	➔	<b>N</b>	Original bruksanvisning
click	➔	<b>S</b>	Bruksanvisning i original
click	➔	<b>FIN</b>	Alkuperäiset ohjeet
click	➔	<b>GR</b>	Πρωτότυπο οδηγιών χρήσης
click	➔	<b>TR</b>	Orijinal işletme talimatı
click	➔	<b>CZ</b>	Původním návodem k používání

click	➔	<b>SK</b>	Pôvodný návod na použitie
click	➔	<b>PL</b>	Instrukcją oryginalną
click	➔	<b>HU</b>	Eredeti használati utasítás
click	➔	<b>SLO</b>	Izvirna navodila
click	➔	<b>HR</b>	Originalne pogonske upute
click	➔	<b>LV</b>	Instrukcijām oriģinālvalodā
click	➔	<b>LT</b>	Originali instrukcija
click	➔	<b>EST</b>	Algupärane kasutusjuhend
click	➔	<b>RUS</b>	Оригинальное руководство по эксплуатации
click	➔	<b>BG</b>	Оригинално ръководство за експлоатация
click	➔	<b>RO</b>	Instrucțiuni de folosire originale
click	➔	<b>MK</b>	Оригинален прирачник за работа
click	➔	<b>UKR</b>	Оригінал інструкції з експлуатації
click	➔	<b>AR</b>	التعليمات الأصلية

<b>1</b>	<b>General informations .....</b>	<b>2</b>
1.1	Specific safety rules for pipeline inspection systems .....	2
1.2	Additional Safety and Working Instructions .....	2
1.3	Technical data .....	3
1.4	Specified conditions of use .....	3
1.5	Radio Frequency Interface Requirements - Related to European installation.....	3
1.6	EC-declaration of conformity.....	3
1.7	GB-declaration of conformity .....	4
1.8	One-key™ .....	4
1.9	Batteries.....	4
1.10	Transporting lithium batteries .....	4
1.11	Maintenance .....	4
1.12	Symbols .....	5
<b>2</b>	<b>Control hub M18 SISH .....</b>	<b>6</b>
2.1	Overview control hub M18 SISH.....	6
2.2	Installing and removing battery pack.....	7
2.3	Checking battery capacity.....	8
2.4	Installing control hub M18 SISH .....	9
2.5	Removing control hub M18 SISH .....	10
2.6	Power on/off .....	11
2.7	Monitor Connection .....	12
2.8	USB Ports .....	13
2.9	Grounding post .....	14
2.10	Distance counter set .....	15
2.11	Camera test port .....	16
2.12	Formatting the internal drive and thumb drive .....	17
2.13	Factory reset.....	18
2.14	System update.....	19
<b>3</b>	<b>Pipeline inspection reels .....</b>	<b>21</b>
3.1	Overview pipeline inspection reel M18 SIC36 .....	21
3.2	Overview pipeline inspection reel M18 SIC60 .....	22
3.3	Installing the backpack plate .....	23
3.4	Removing backpack plate .....	24
3.5	Mounting the Wireless Monitor M18SIM .....	25
3.6	Adjusting the Wireless Monitor M18SIM .....	26
3.7	Using the pipeline inspection reel .....	27
3.8	Camera head assembly .....	28
3.9	Spring assembly .....	29
3.10	Camera protective cover .....	30
3.11	Camera skids .....	31
3.12	Service & support .....	32

# 1 GENERAL INFORMATIONS

## 1.1 Specific safety rules for pipeline inspection systems

When working in pipes, make sure that these are not live or electrically charged. The pipes must not contain any liquid. The camera and the device must not come into contact with liquid.

The camera and the cable must not come into contact with oil, gas or other materials capable of causing corrosion.

To reduce the risk of explosion, electric shock and property damage, always check the work area before beginning a job. Do not allow cable to contact electrical, chemical, or moving hazards.

To reduce the risk of damage to the tool, do not use excessive force or "kink" the cable. Do not use in areas where vi-sual inspection camera and cable will contact corrosive or oily substances.

Do not use the cable to clear clogs or move obstructions. This is not a drain cleaner!

Use latex or rubber gloves, goggles, face shields, protective clothing, and respirator when chemicals, bacteria or other toxic or infectious substances are suspected to be in a drain line. Drains may contain chemicals, bacteria and other substances that may cause burns, be toxic or infectious or may result in other serious personal injury.

Practice good hygiene. Do not eat or smoke while handling or operating the tool. After handling or operating equipment, use hot, soapy water to wash hands and other body parts exposed to drain contents. This will help reduce the risk of health hazards due to exposure to toxic or infectious material.

Inspect cable for wear and damage before use. Do not twist, kink or over bend cables. Replace a worn or damaged cable before use.

**CAUTION** Use care when transporting this tool when the reel and backpack are connected. Tipping may occur.

Always use common sense and be cautious when using tools. It is not possible to anticipate every situation that could result in a dangerous outcome. Do not use this tool if you do not understand these operating instructions or you feel the work is beyond your capability; contact Milwaukee Tool or a trained professional for additional information or training.

Maintain labels and nameplates. These carry important information. If unreadable or missing, contact a MILWAUKEE service facility for a free replacement.

Some dust created by power sanding, sawing, grinding, drilling, and other construction activities contains chemicals known to cause cancer, birth defects or other reproductive harm. Some examples of these chemicals are:

- lead from lead-based paint
- crystalline silica from bricks and cement and other masonry products, and
- arsenic and chromium from chemically treated lumber.

Your risk from these exposures varies, depending on how often you do this type of work. To reduce your exposure to these chemicals: work in a well-ventilated area, and work with approved safety equipment, such as those dust masks that are specially designed to filter out microscopic particles.

## 1.2 Additional Safety and Working Instructions

Do not try to replace the battery pack if the surface of the instrument is wet.

Do not dispose of used battery packs in the household refuse or by burning them. Milwaukee Distributors offer to retrieve old batteries to protect our environment.

Do not store the battery pack together with metal objects (short circuit risk).

Use only System M 18 chargers for charging System M 18 battery packs. Do not use battery packs from other systems.

Battery acid may leak from damaged batteries under extreme load or extreme temperatures. In case of contact with battery acid wash it off immediately with soap and water. In case of eye contact rinse thoroughly for at least 10 minutes and immediately seek medical attention.

**Warning!** To reduce the risk of fire, personal injury, and product damage due to a short circuit, never immerse your tool, battery pack or charger in fluid or allow a fluid to flow inside them. Corrosive or conductive fluids, such as seawater, certain industrial chemicals, and bleach or bleach containing products, etc., Can cause a short circuit.

This appliance is not intended to be used or cleaned by persons with reduced physical, sensory or mental capabilities, or lack of experience or knowledge, unless they have been given instructions concerning the safe use of the appliance by a person legally responsible for their safety. They should be supervised whilst using the appliance. Children shall not use, clean or play with this appliance, which when not in use should be secured out of their reach.

### 1.3 Technical data

	M18 SIC36	M18 SIC60	M18 SISH
Camera cable length .....	36 m.....	60 m	
Camera head .....	ø 25 mm.....	ø 34 mm	
Max. zoom.....	4x .....	4x	
Battery voltage .....			18 V
Weight according EPTA-Procedure 01/2014 (12 Ah).....	12.4 kg .....	20.46 kg .....	5.37 kg
Frequency band(s) of Bluetooth.....			2402-2480 MHz
Radio-frequency power .....			1.8 dBm
Bluetooth version .....			4.0 BT signal mode
Recommended ambient operating temperature.....	-18 ....	+50 °C	
Recommended battery Type .....		M18B....; M18HB....	
Recommended charger Type.....		M12-18C, M12-18AC, M12-18FC, M1418C6	

### 1.4 Specified conditions of use

The pipeline inspection system can be used to view and inspect pipes. The systems consist of three major modules:

#### - Pipeline inspection reels M18 SIC36 or M18 SIC60

The pipeline inspection reel stores and controls the deployment of the push cable. The reels are available in two sizes, the M18SIC36 mostly used in pipe sizes from 50 mm - 150 mm and the larger M18SIC60 mostly used in pipe sizes from 75 mm - 250 mm.

Both sizes include push cable with a spring assembly that the self-leveling camera head mounts on.

WIRELESS MONITOR M18SIM and CONTROL HUB M18 SISH M18SISH will work with both size reels.

Both sizes can be used either in the vertical upright position or on its side in a horizontal position. The M18SIC36 has a mounting plate on the back to attach backpack straps.

#### - Control hub M18 SISH

The CONTROL HUB M18 SISH is the brain of the pipeline inspection system.

The WIRELESS MONITOR M18SIM or tablet running the Milwaukee® pipeline inspection app connects to the CONTROL HUB M18 SISH to receive the recording video and captured pictures. Both are stored in the CONTROL HUB M18 SISH internal drive.

#### - Wireless monitor M18 SIM (not included, available separately)

The WIRELESS MONITOR M18SIM allows for viewing the raw video from the camera head, recording videos and capturing picture images and playback functions of video and picture files. During the recording of videos, audio comments can be captured through the internal microphone, and text comments can be added via the labels option. These text comments will appear in the recorded video and will show in the pictures along with the system time, system date and distance of deployed push cable

Do not use this product in any other way as stated for normal use.

### 1.5 Radio Frequency Interface Requirements - Related to European installation

Note: This equipment has been tested and found to comply with the limits for a EN 300 440 v2.1.1 receiver Category 3.

These limits are designed to provide reasonable protection against harmful interference in a residential installation.

This equipment is sensitive to other equipment that intentionally generates, radio frequency energy in the 2402-2480MHz that may conduce to the instability to use the Remote Control on it. However there is no guarantee that interference will not occur in a particular installation. If this equipment suffer from the harmful interference from another radio device to radio this can be determined by turning the respective equipment off and on, the user is encouraged to try to correct the interference by one or more of the following measures:

- Turn off the disturbance equipment
- Increase the separation between the disturbance equipment
- Consult the dealer or an experienced radio technician for help

### 1.6 EC-declaration of conformity

Hereby, Techtronic Industries GmbH declares that the radio equipment type M18SISH is in compliance with Directive 2014/53/EU. The full text of the EU declaration of conformity is available at the following internet address: <http://services.milwaukeeetool.eu>.



## 1.7 GB-declaration of conformity

Hereby, Techtronic Industries GmbH declares that the radio equipment type M18SISH is in compliance with Directive S.I. 2017/1206 (as amended). The full text of the GB declaration of conformity is available at the following internet address: <http://services.milwaukeeetool.eu>.

## 1.8 One-key™

To learn more about the ONE-KEY functionality for this tool, please reference the Quick Start guide included with this product or go to [www.milwaukeeetool.com/one-key](http://www.milwaukeeetool.com/one-key). To download the ONE-KEY app, visit the App Store or Google Play from your smart device.

Also, when the product experiences ESD, the Bluetooth communication will be disconnected. It needs to be reset manually to recover.

We considered the results to be within our minimum acceptable performance level according to EN 55014-2:2015 / EN 301489-1 V2.2.3 / EN 301489-17 V3.1.1.

### One-key™ indicator

Solid Blue: Wireless mode is active and ready to be configured via the ONE-KEY™ app.

Blinking Blue Tool is actively communicating with the ONE-KEY™ app.

Blinking Red Tool is in security lockout and can be unlocked by the owner via the ONE-KEY™ app.

## 1.9 Batteries

Battery packs which have not been used for some time should be recharged before use.

Temperatures in excess of 50°C (122°F) reduce the performance of the battery pack. Avoid extended exposure to heat or sunshine (risk of overheating).

The contacts of chargers and battery packs must be kept clean.

For an optimum life-time, the battery packs have to be fully charged, after used.

To obtain the longest possible battery life remove the battery pack from the charger once it is fully charged.

For battery pack storage longer than 30 days:

Store the battery pack where the temperature is below 27°C and away from moisture

Store the battery packs in a 30% - 50% charged condition

Every six months of storage, charge the pack as normal.

## 1.10 Transporting lithium batteries

Lithium-ion batteries are subject to the Dangerous Goods Legislation requirements.

Transportation of those batteries has to be done in accordance with local, national and international provisions and regulations.

- The user can transport the batteries by road without further requirements.
- Commercial transport of Lithium-Ion batteries by third parties is subject to Dangerous Goods regulations. Transport preparation and transport are exclusively to be carried out by appropriately trained persons and the process has to be accompanied by corresponding experts.

When transporting batteries:

- Ensure that battery contact terminals are protected and insulated to prevent short circuit.
- Ensure that battery pack is secured against movement within packaging.
- Do not transport batteries that are cracked or leak.

Check with forwarding company for further advice

## 1.11 Maintenance

Use only Milwaukee accessories and spare parts. Should components need to be replaced which have not been described, please contact one of our Milwaukee service agents (see our list of guarantee/service addresses).

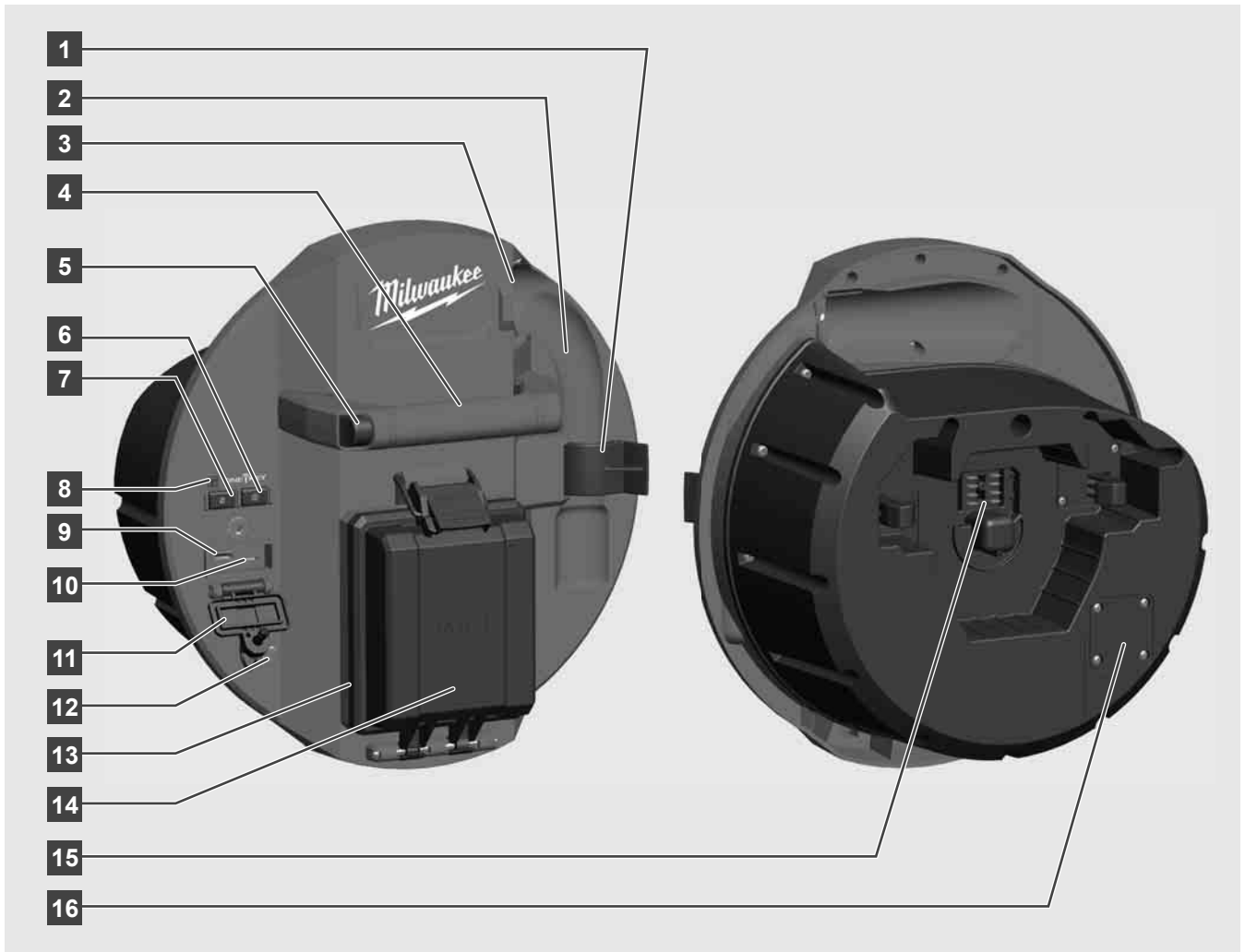
If needed, an exploded view of the tool can be ordered. Please state the machine type printed as well as the six-digit No. on the label and order the drawing at your local service agents or directly at: Techtronic Industries GmbH, Max-Eyth-Straße 10, 71364 Winnenden, Germany.

## 1.12 Symbols

	CAUTION! WARNING! DANGER!
	Remove the battery pack before starting any work on the machine.
	Please read the instructions carefully before starting the machine.
	Wear gloves!
	Always wear goggles when using the machine.
	Do not dispose electric tools, batteries/rechargeable batteries together with household waste material. Electric tools and batteries that have reached the end of their life must be collected separately and returned to an environmentally compatible recycling facility. Check with your local authority or retailer for recycling advice and collection point.
	Volts
	Direct current
	European Conformity Mark
	British Conformity Mark
	Ukraine Conformity Mark
	EurAsian Conformity Mark

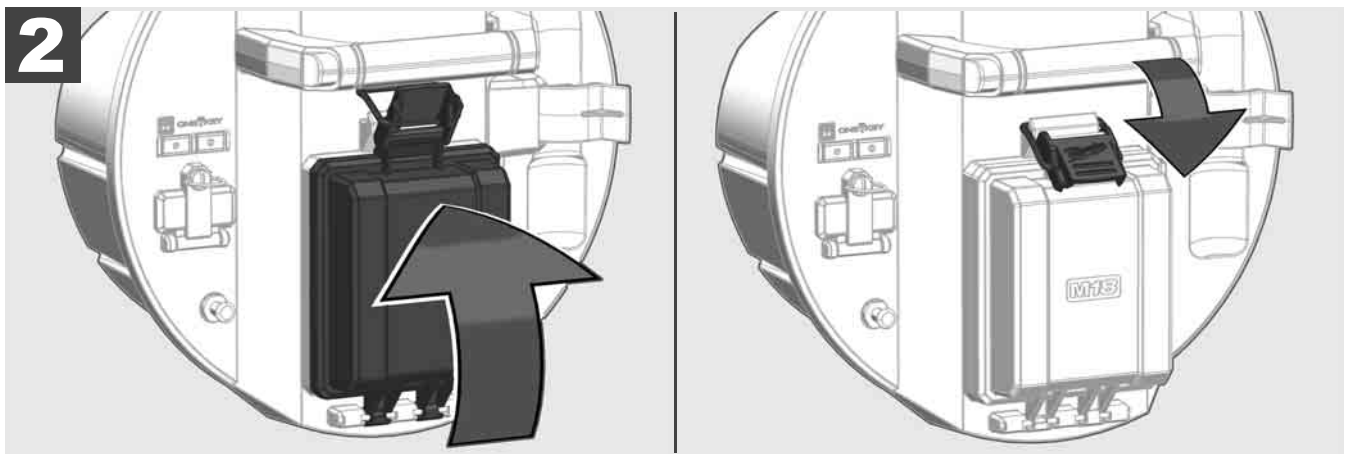
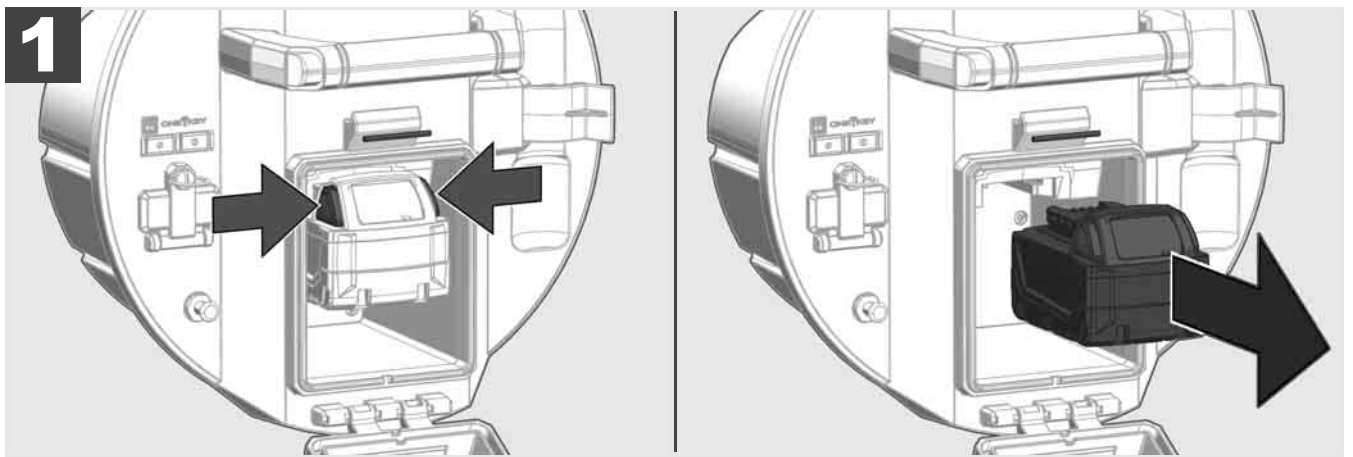
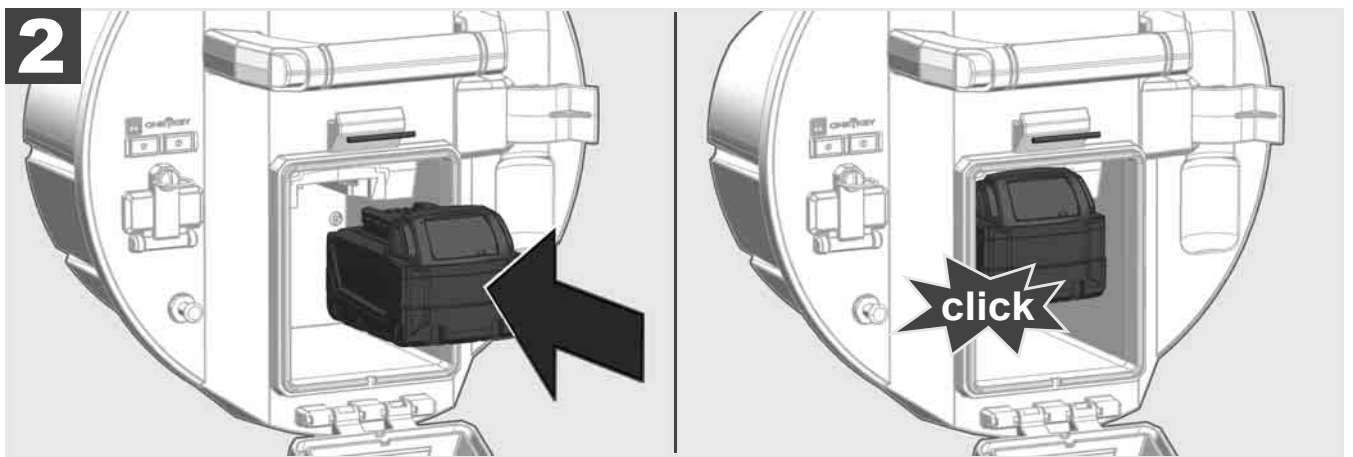
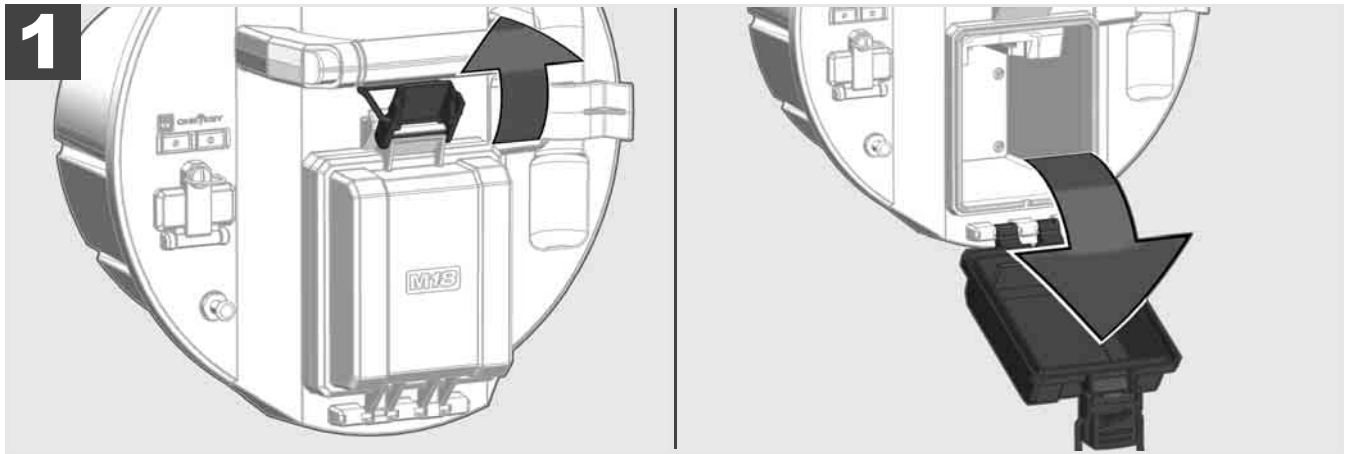
## 2 CONTROL HUB M18 SISH

### 2.1 Overview control hub M18 SISH

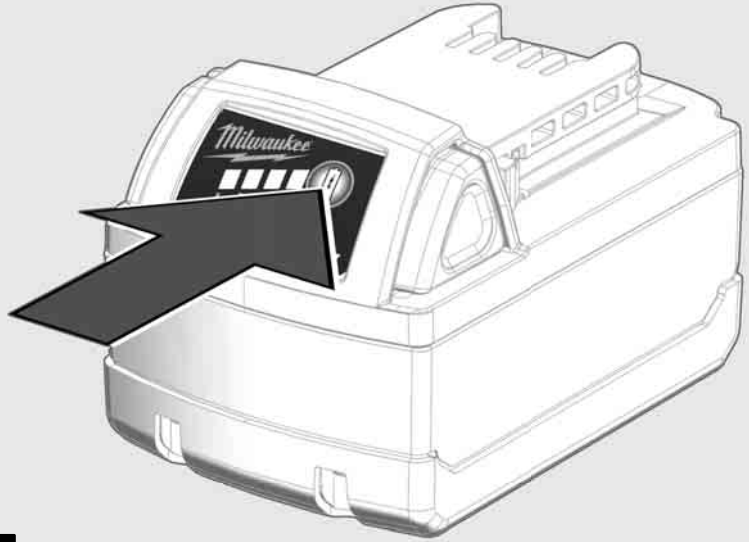


- 1 Spring locking clip - holds the spring and camera in place during transportation
- 2 Spring recess - keeps the spring and camera in place during transportation and storage.
- 3 Cable guide - feed the spring and push cable through the guide before locking the CONTROL HUB in place
- 4 Handle
- 5 Lock release button - push to unlock the CONTROL HUB assembly from the PIPELINE INSPECTION REEL
- 6 Power button - press to turn on, press and hold to turn off
- 7 Distance reset button - resets the distance of deployed push cable to zero
- 8 Onkey control LED
- 9 USB-A port - for direct saving of videos and pictures and to perform firmware updates.
- 10 USB-C port - optional for supplying power and data between the WIRELESS MONITOR M18SIM and CONTROL HUB
- 11 USB compartment cover - is a watertight cover to keep debris out of the compartment.
- 12 Grounding post - to ground the CONTROL HUB to earth while tracing push cable
- 13 Battery compartment cover - is a watertight cover to keep debris out of the compartment
- 14 Battery compartment - for M18™ battery
- 15 Contacts for the connection between CONTROL HUB and PIPELINE INSPECTION REEL
- 16 Camera test port - is a troubleshooting tool for isolating the camera head's performance

## 2.2 Installing and removing battery pack



## 2.3 Checking battery capacity



78-100 %



55-77 %



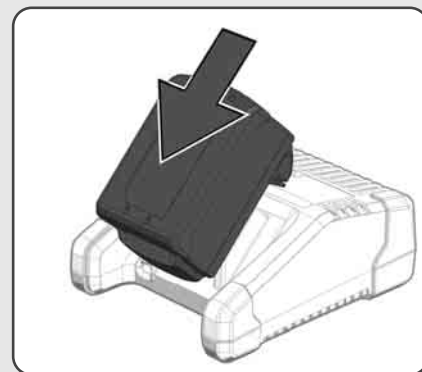
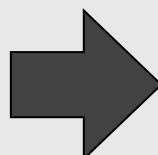
33-54 %

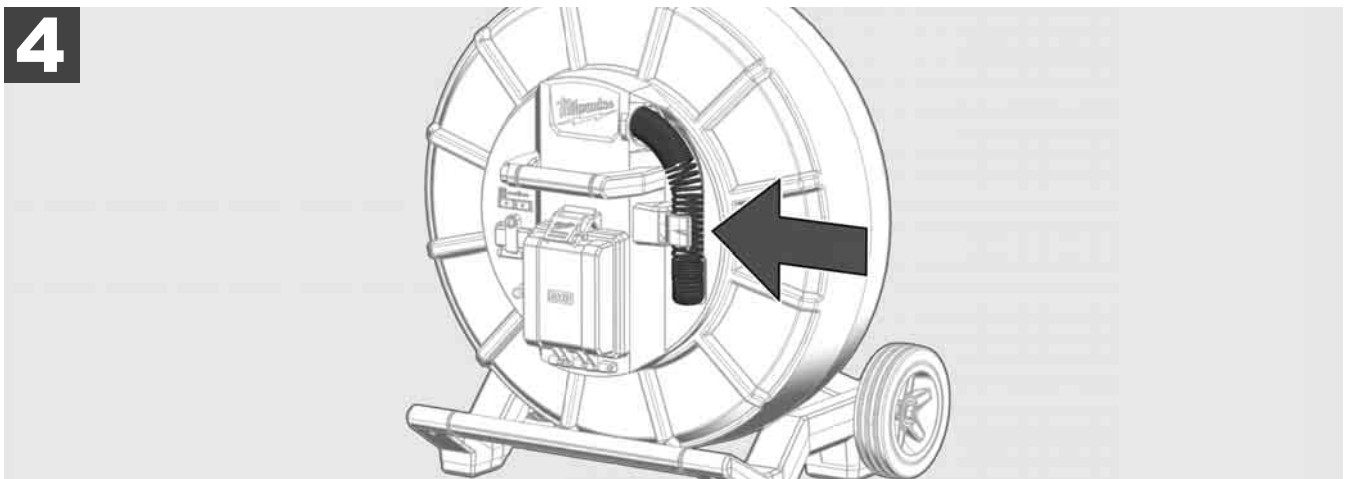
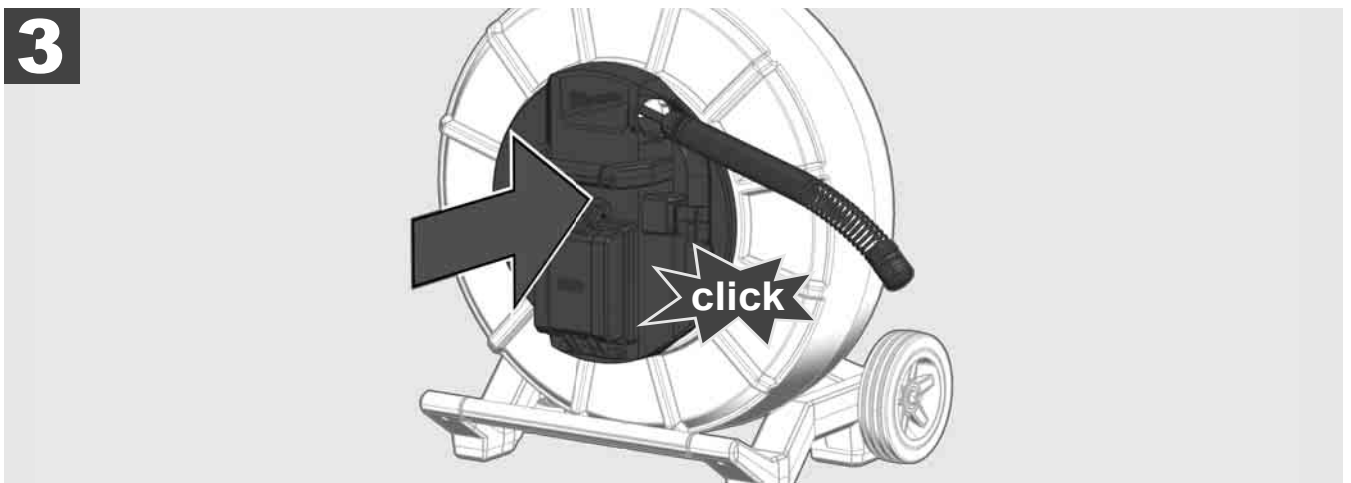
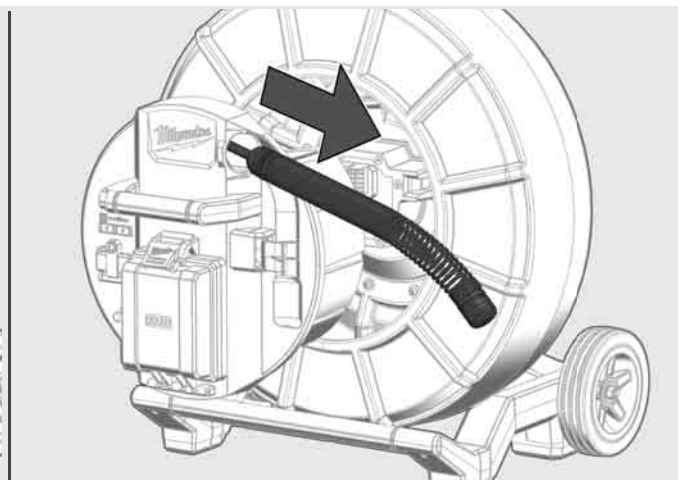
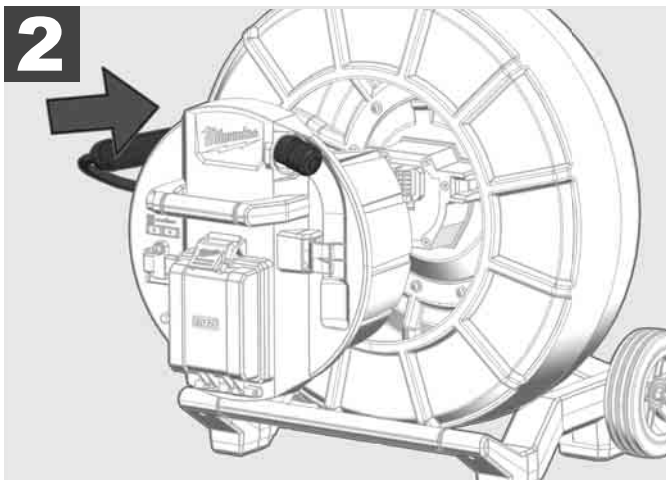
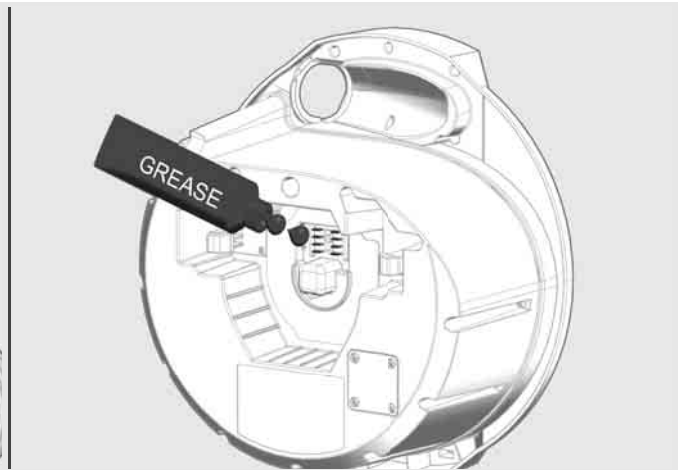
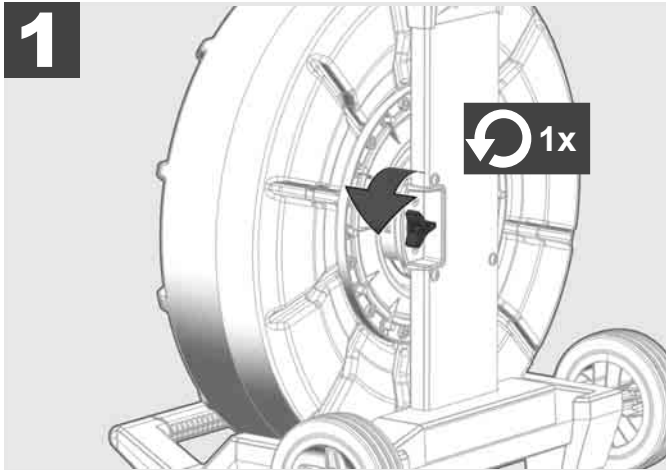


10-32 %



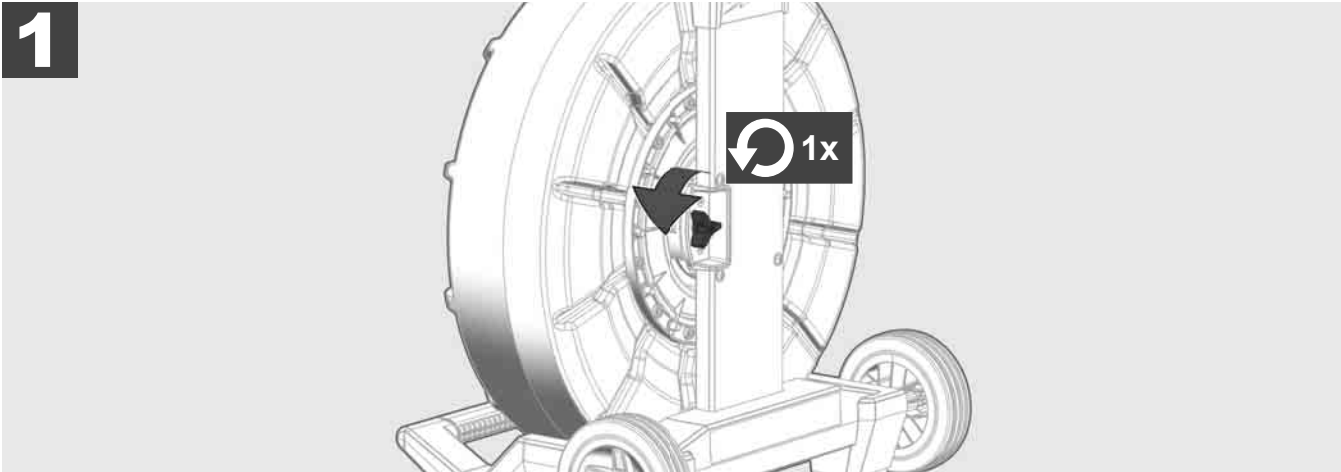
< 10 %



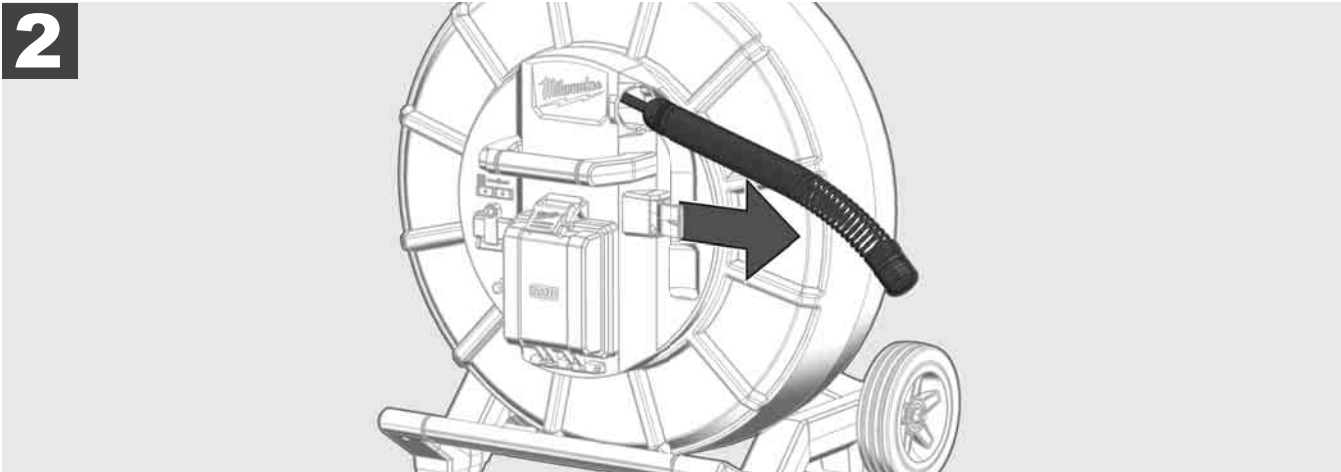




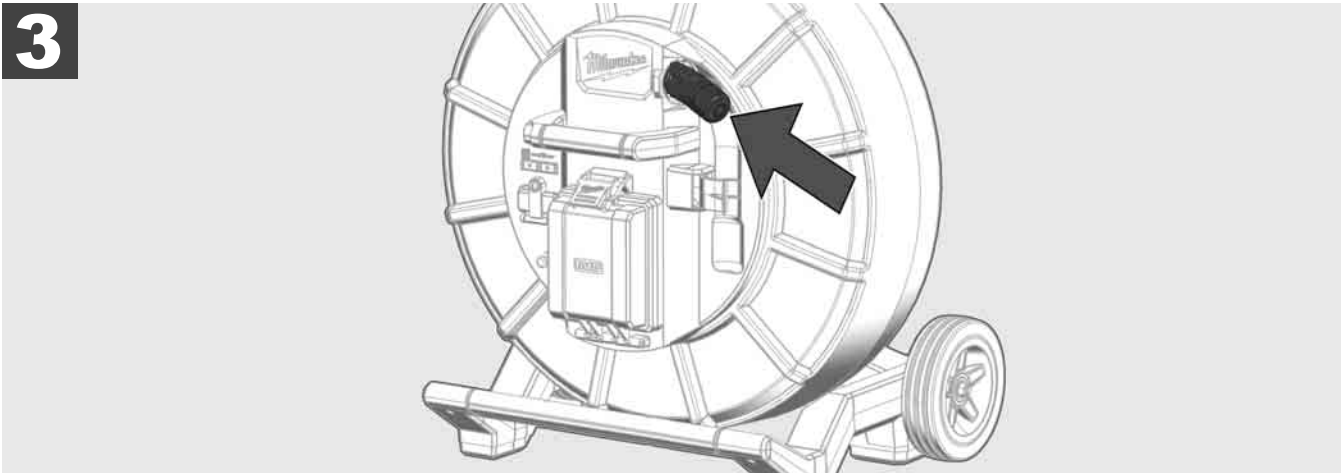
**1**



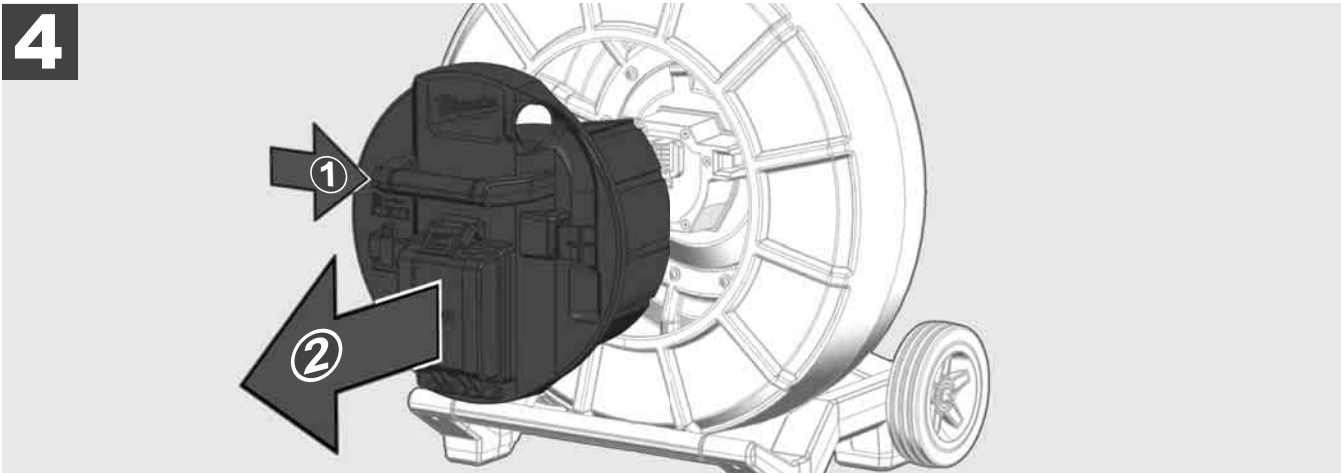
**2**



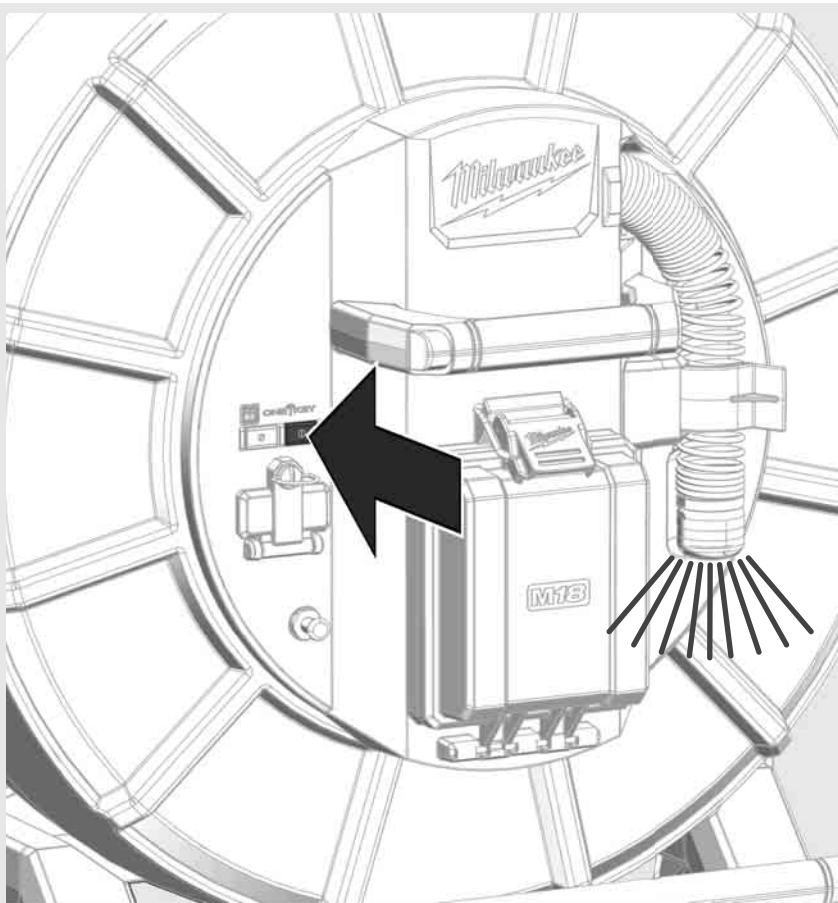
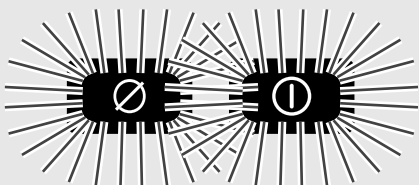
**3**



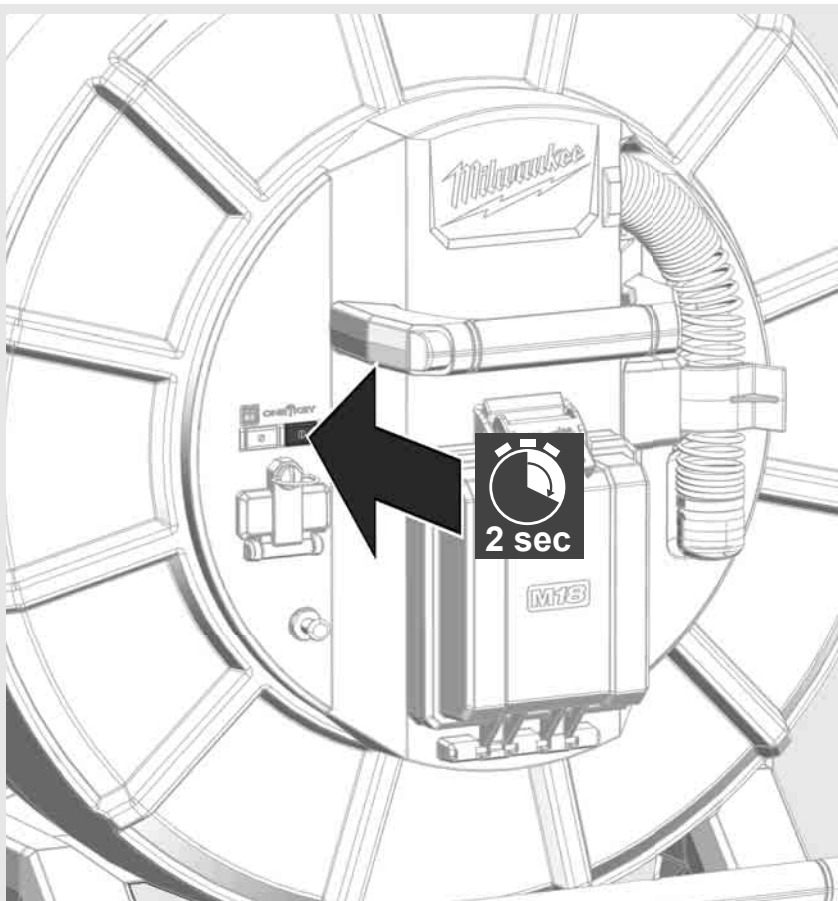
**4**



# ON



# OFF





## 2.7 Monitor Connection

An external viewing device is required to adjust the settings, control features and to display the images and videos from the camera of the PIPELINE INSPECTION SYSTEM.

This external viewer is not included with the PIPELINE INSPECTION SYSTEM and must be purchased separately.

The following options are available:

- MILWAUKEE WIRELESS MONITOR M18SIM.
- Tablet or smartphone with running the MILWAUKEE PIPELINE INSPECTION APP.

The WIRELESS MONITOR can connect to the PIPELINE INSPECTION SYSTEM via Wi-Fi or USB-C cable and will be immediately ready for use. In order to use a tablet or smartphone, the MILWAUKEE PIPELINE INSPECTION APP must first be installed on that device.

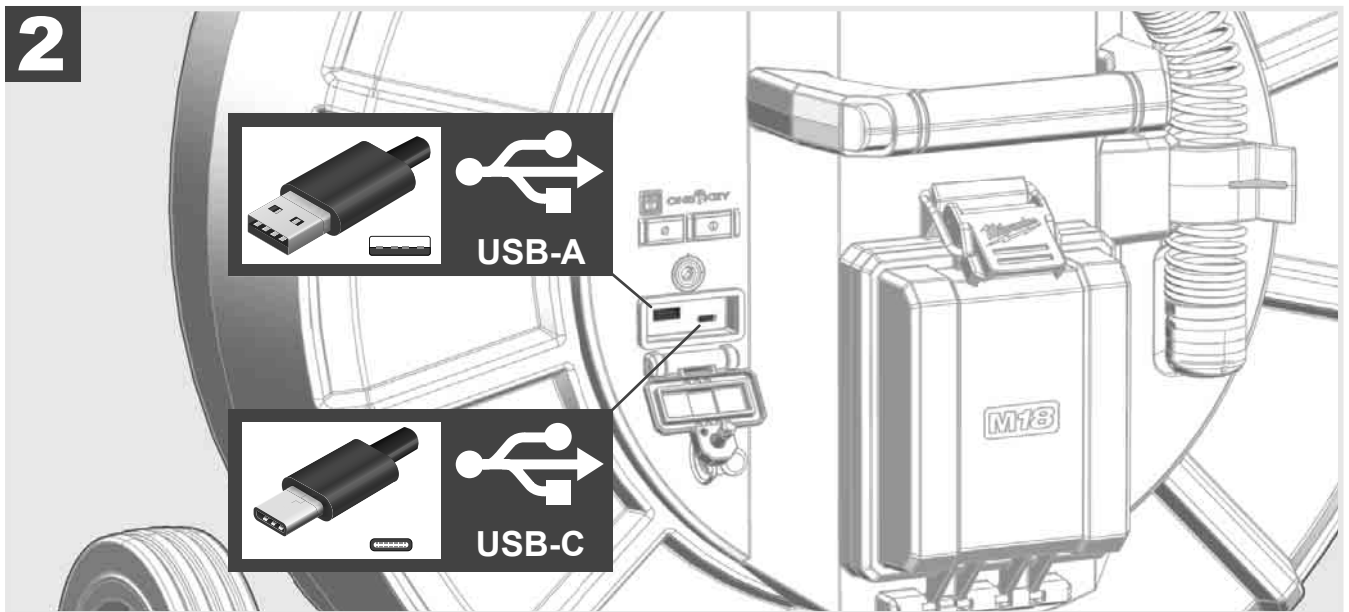
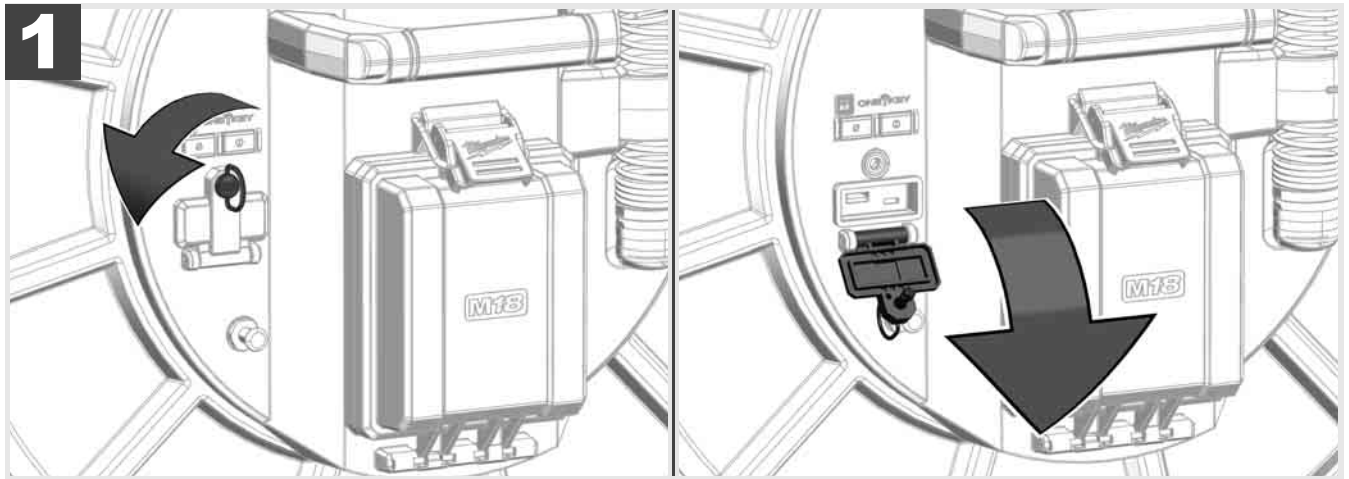
### **FIRST TIME USE WITH THE WIRELESS MONITOR M18SIM:**

1. Turn on the CONTROL HUB & WIRELESS MONITOR
2. The WIRELESS MONITOR will automatically connect to the CONTROL HUB in 25 seconds

\*For wired connection, connect monitor and control hub with USB-C Cable

### **FIRST TIME USE WITH A SMARTPHONE OR TABLET:**

1. Download and install the MILWAUKEE PIPELINE INSPECTION APP
2. Turn on the CONTROL HUB and viewing device
3. Go to Settings > Wi-Fi
4. Select MTCAM\_[LAST 9 DIGITS OF HUB SERIAL #]
5. Enter Password: 29702000
6. Launch the MILWAUKEE PIPELINE INSPECTION APP

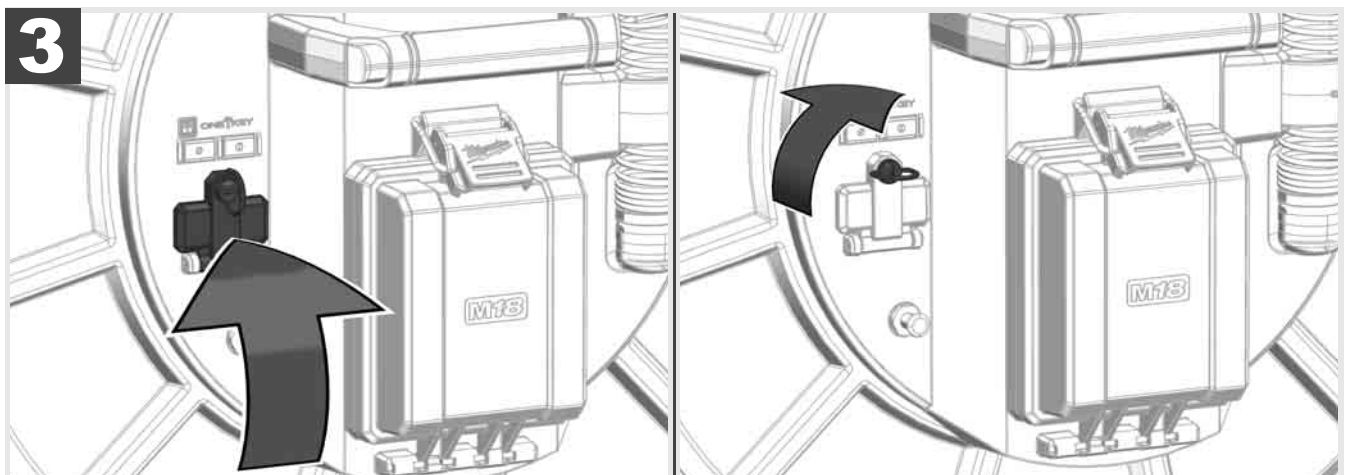


### USB A

- Day use port. It allows for direct recording of video and picture files or transferring files from the CONTROL HUB internal drive.
- Perform firmware updates to CONTROL HUB.

### USB C

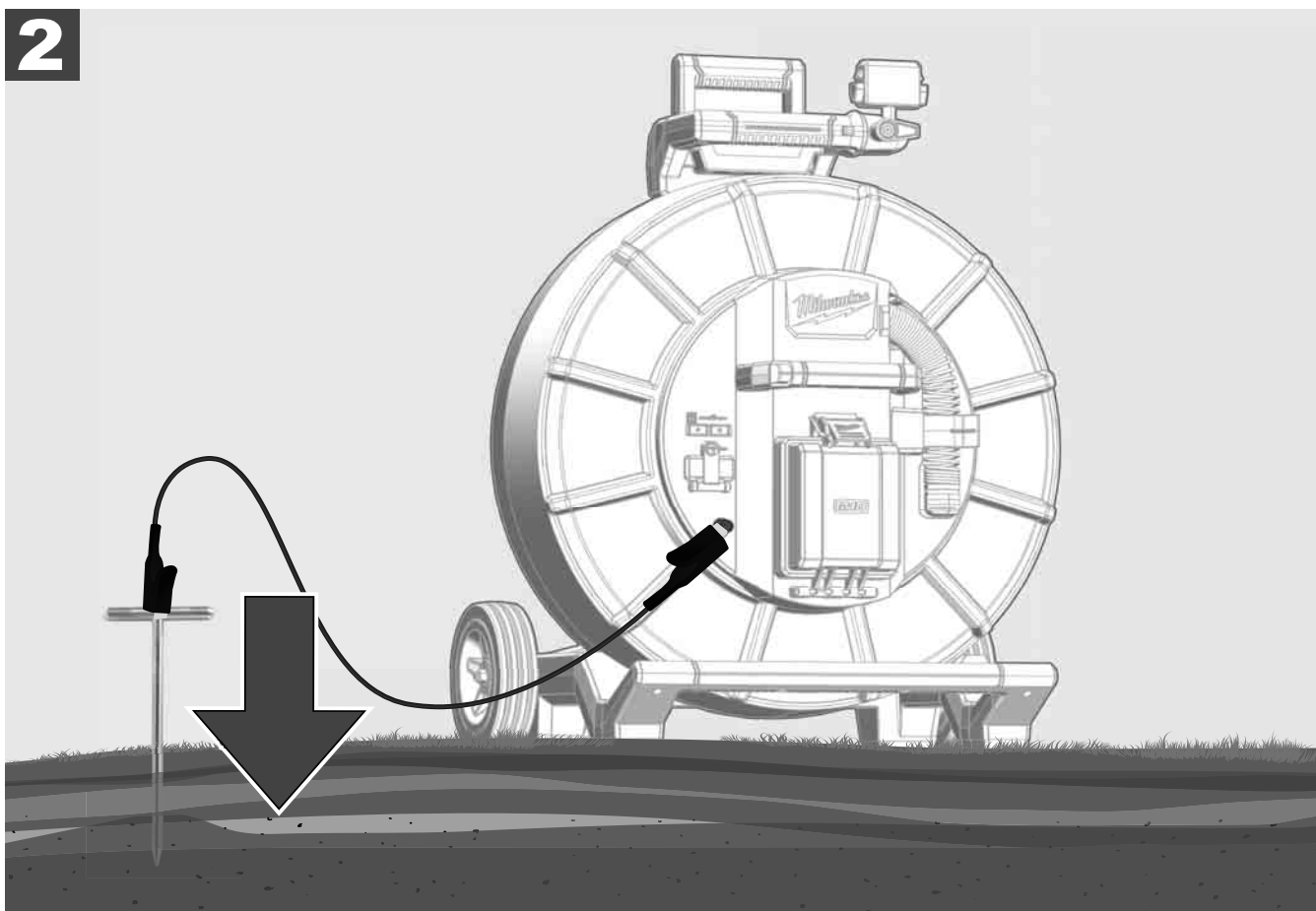
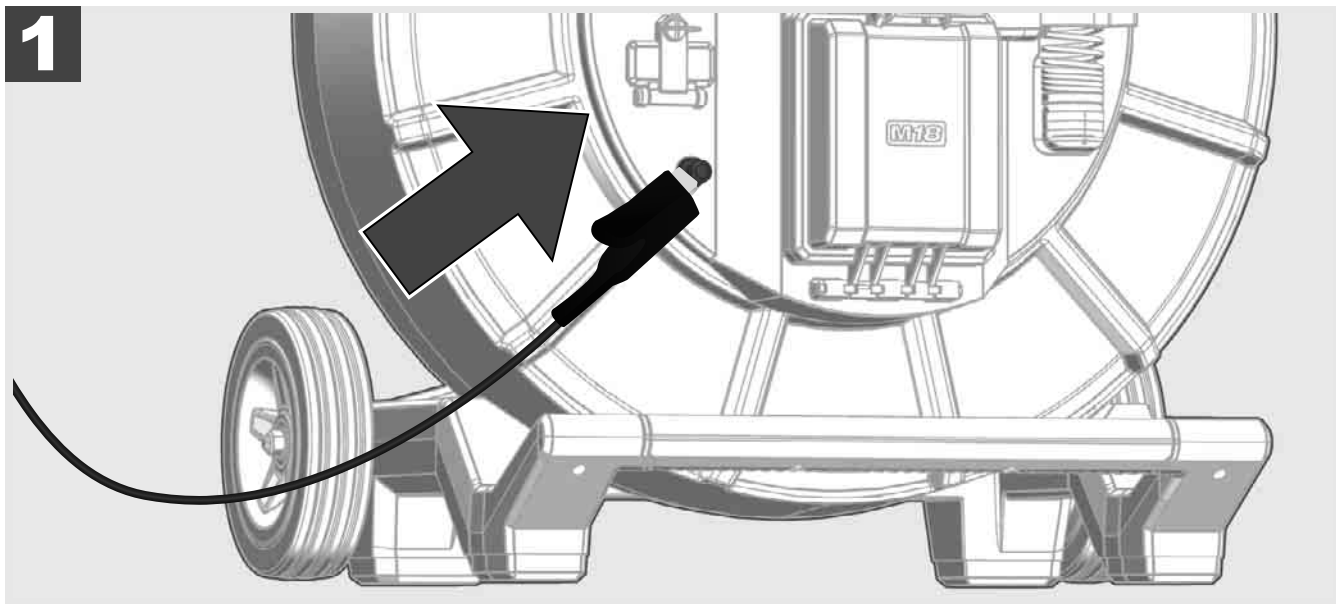
- Connecting the WIRELESS MONITOR M18SIM to the CONTROL HUB bypassing a WI-FI connection. Power the CONTROL HUB from the WIRELESS MONITOR M18SIM when no battery is present in the CONTROL HUB or vice versa.



## 2.9 Grounding post




The grounding post must be used while using the LINE TRACE feature to trace push cable. The CONTROL HUB must be grounded to close the current loop to send out a good locate signal. Use the supplied grounding cable assembly with ground stake to ground the CONTROL HUB to earth.

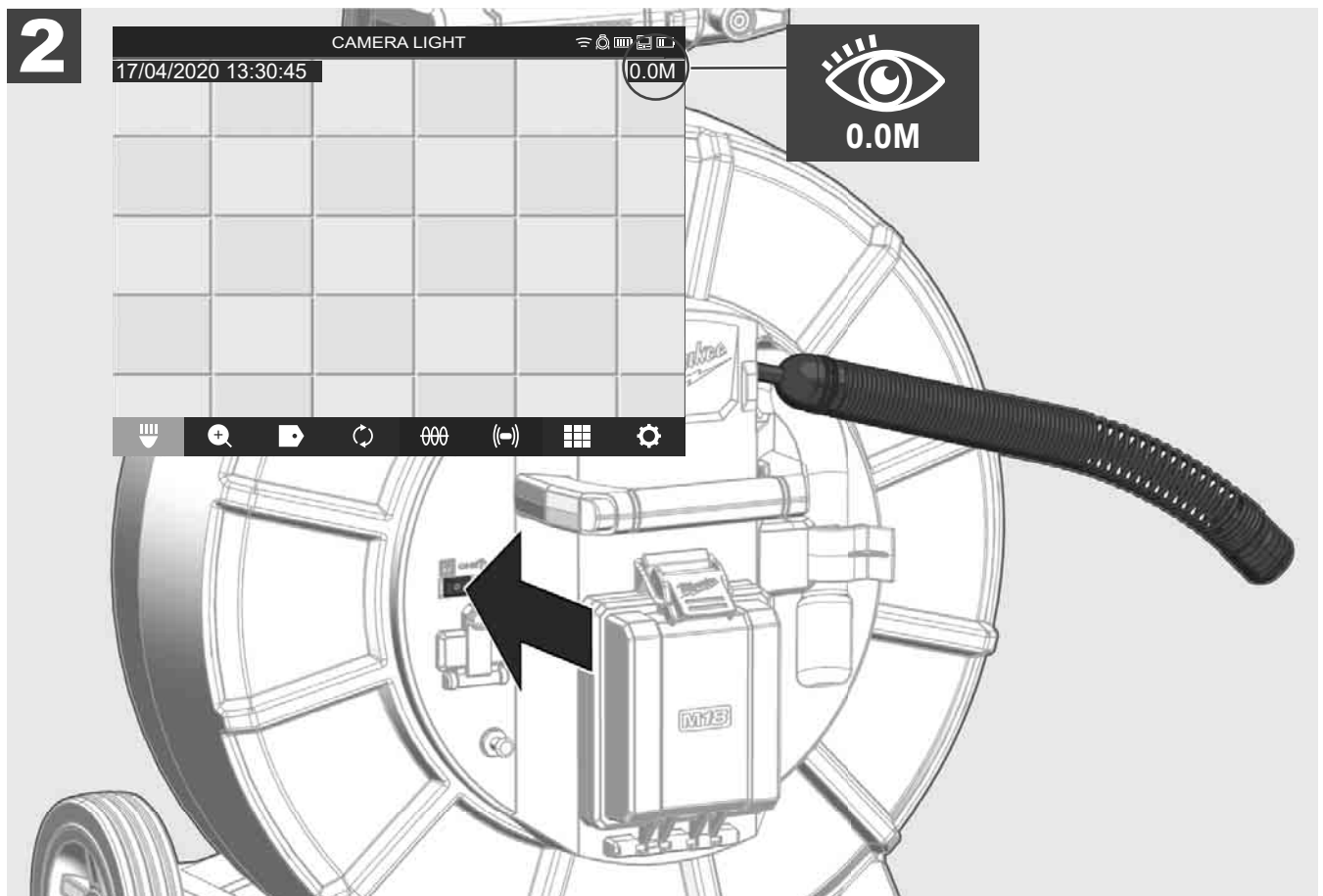
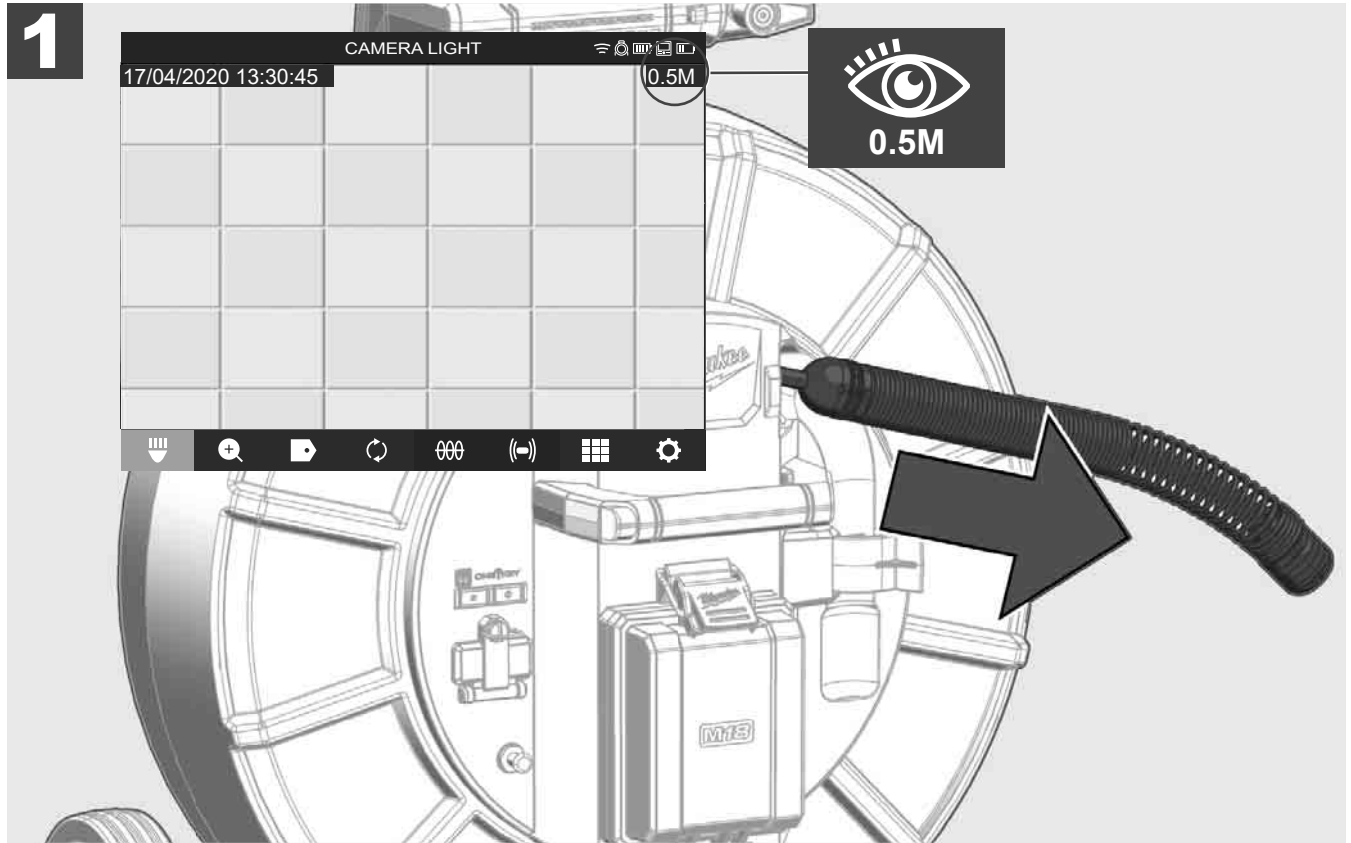


## 2.10 Distance counter set



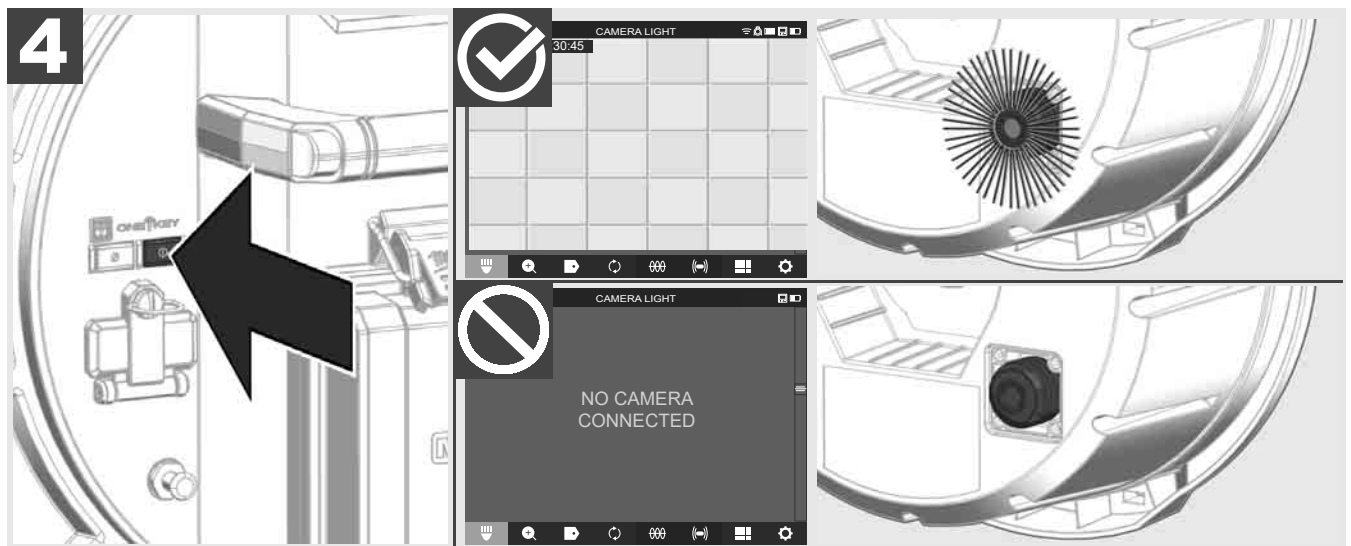
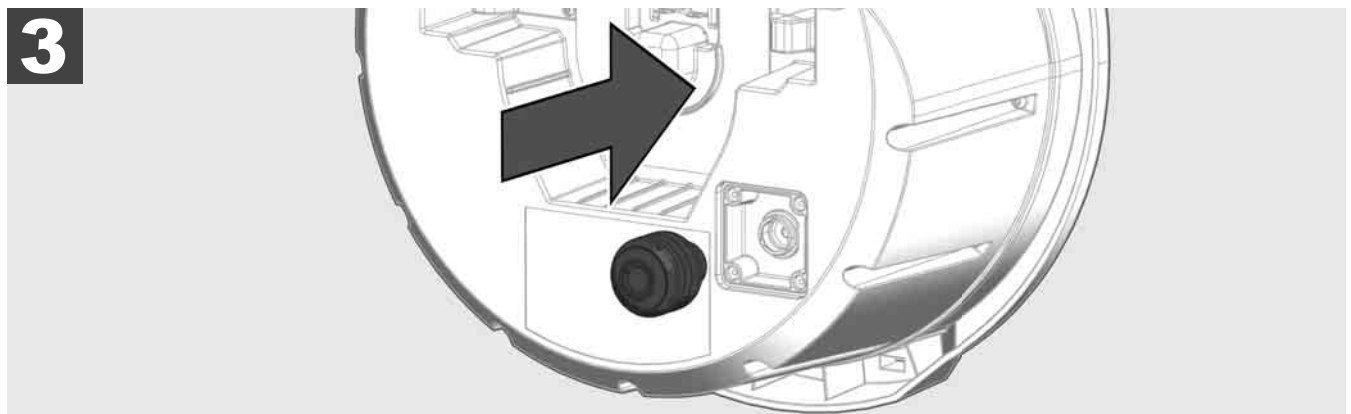
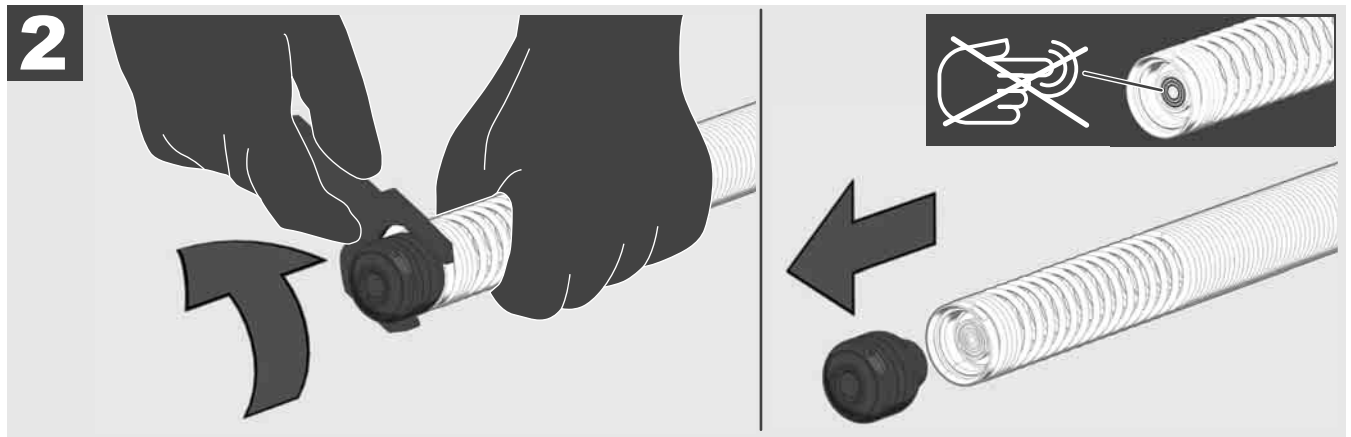
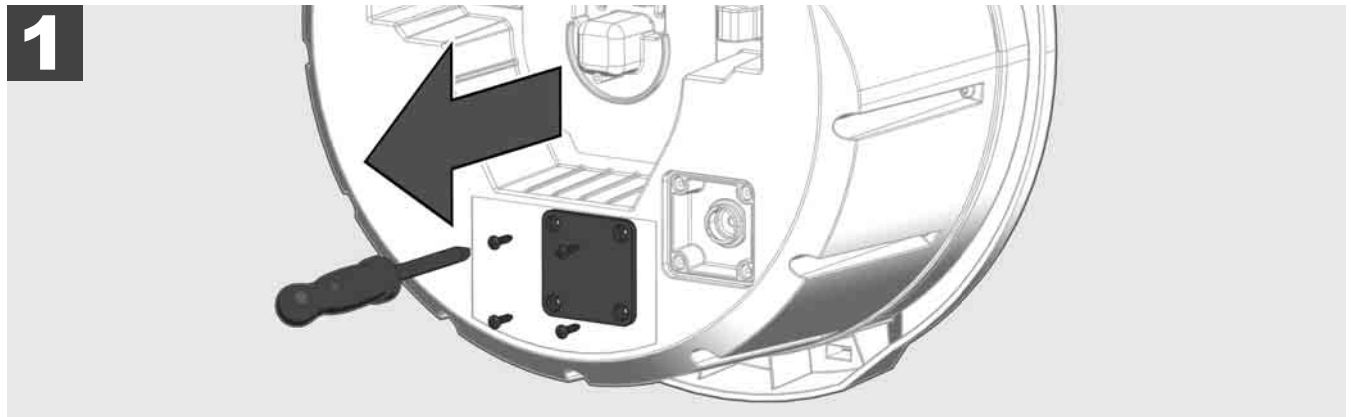
As the PIPELINE INSPECTION REEL rotates, the distance of push cable deployed is shown on the status bar of the WIRELESS MONITOR M18SIM.

Press the distance reset  button to reset the distance count.



## 2.11 Camera test port

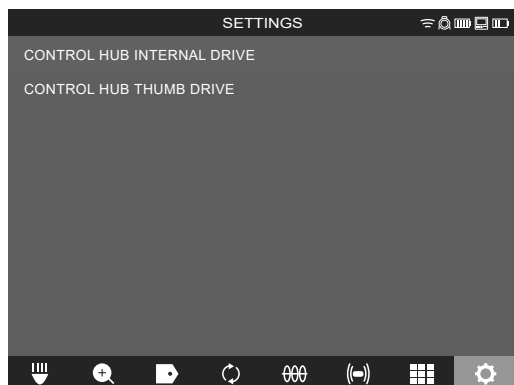
If ever any camera head problems occur, it is possible to test the camera on the test port.



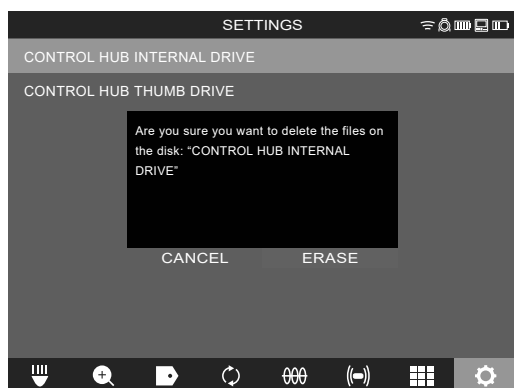
## 2.12 Formatting the internal drive and thumb drive

This setting allows the formatting of the CONTROL HUB M18 SISH's Internal 500GB Drive or Thumb Drive. The system requires that Thumb Drives be formatted in the FAT32 file system.

1. Go to **SETTINGS**  → **Format Memory**
2. Select the memory.



3. Accept the on-screen message



The selected drive will be formatted, and the system will return to the **SETTINGS** menu.

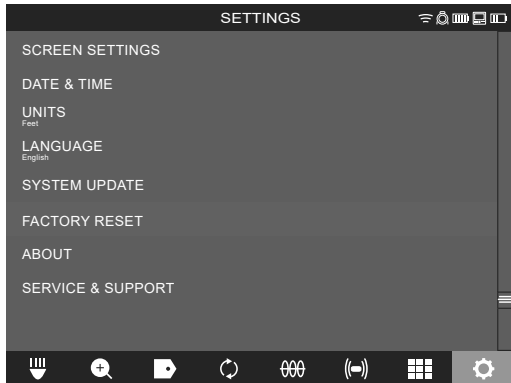
## 2.13 Factory reset

Performing a factory reset will reset the CONTROL HUB M18 SISH to the factory defaults.

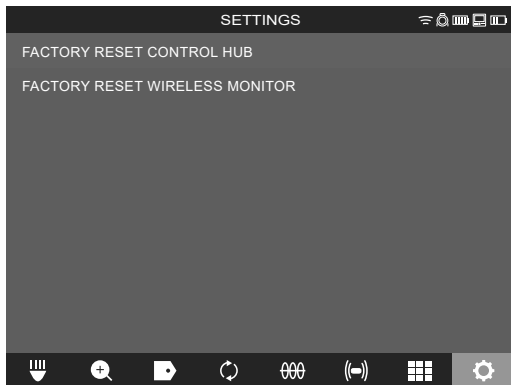
In the CONTROL HUB M18 SISH, the functionality that will reset to the factory default will be:

- LABELS will be erased
- VIDEO and IMAGE settings back to default :1080P
- The COMPANY NAME is removed
- SONDE frequency back to default
- LINE TRACE back to default
- SCREEN SETTINGS back to default: Hue, Brightness, Contrast, Saturation.
- UNITS of measure

1. Go to **SETTINGS**  **→ Factory Reset**



2. Select **FACTORY RESET** CONTROL HUB M18 SISH.



3. Read and acknowledge the Reset message by selecting **OK**.




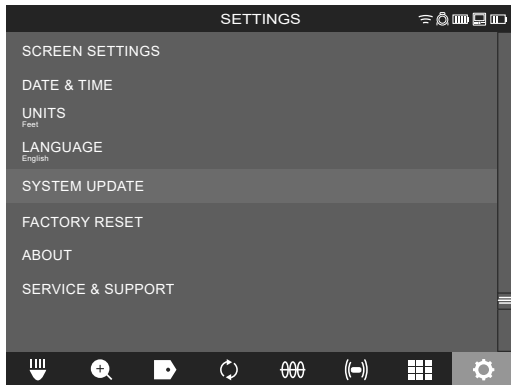
The factory reset is now complete, and the system is returned to the **FACTORY RESET** sub-menu.

## 2.14 System update

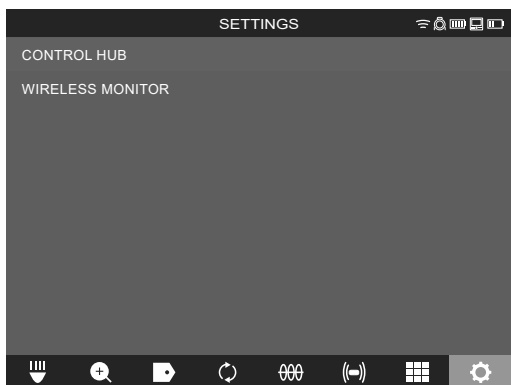
Before updating a system, go to **SETTINGS** → **ABOUT** and make a note of the current firmware revisions in the system.

Firmware updates can be performed with the WIRELESS MONITOR M18SIM M18 SIM or tablet running the MILWAUKEE® PIPELINE INSPECTION APP.

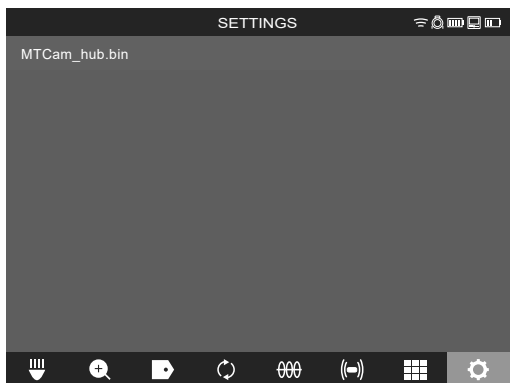
1. Turn on both the CONTROL HUB M18 SISH and WIRELESS MONITOR M18SIM M18 SIM or tablet running the MILWAUKEE® PIPELINE INSPECTION APP.
2. Check that the WIRELESS MONITOR M18SIM or tablet is connected to the CONTROL HUB M18 SISH by WI-FI. If it is not connected, you will need to connect it.
3. Insert a Thumb Drive with the firmware update on it into the CONTROL HUB M18 SISH's USB-A port.
4. Go to **SETTINGS**  → **system update**



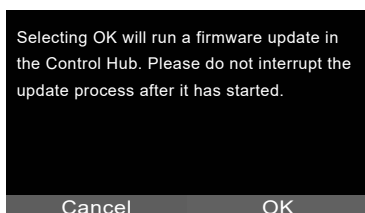
5. Select CONTROL HUB M18 SISH.



6. The filename of the update should be seen in this window. Choose the **filename** to begin the update.

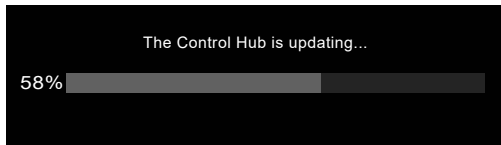


7. Read and acknowledge the warning message by selecting **OK**.

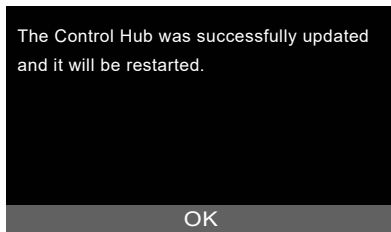




8. A progress indicator will appear showing the progress of the update.



9. A confirmation message will appear when the update is complete. Select **OK** to reboot the system.



10. Go to **SETTINGS** → **ABOUT** to check that the firmware revision numbers have updated.

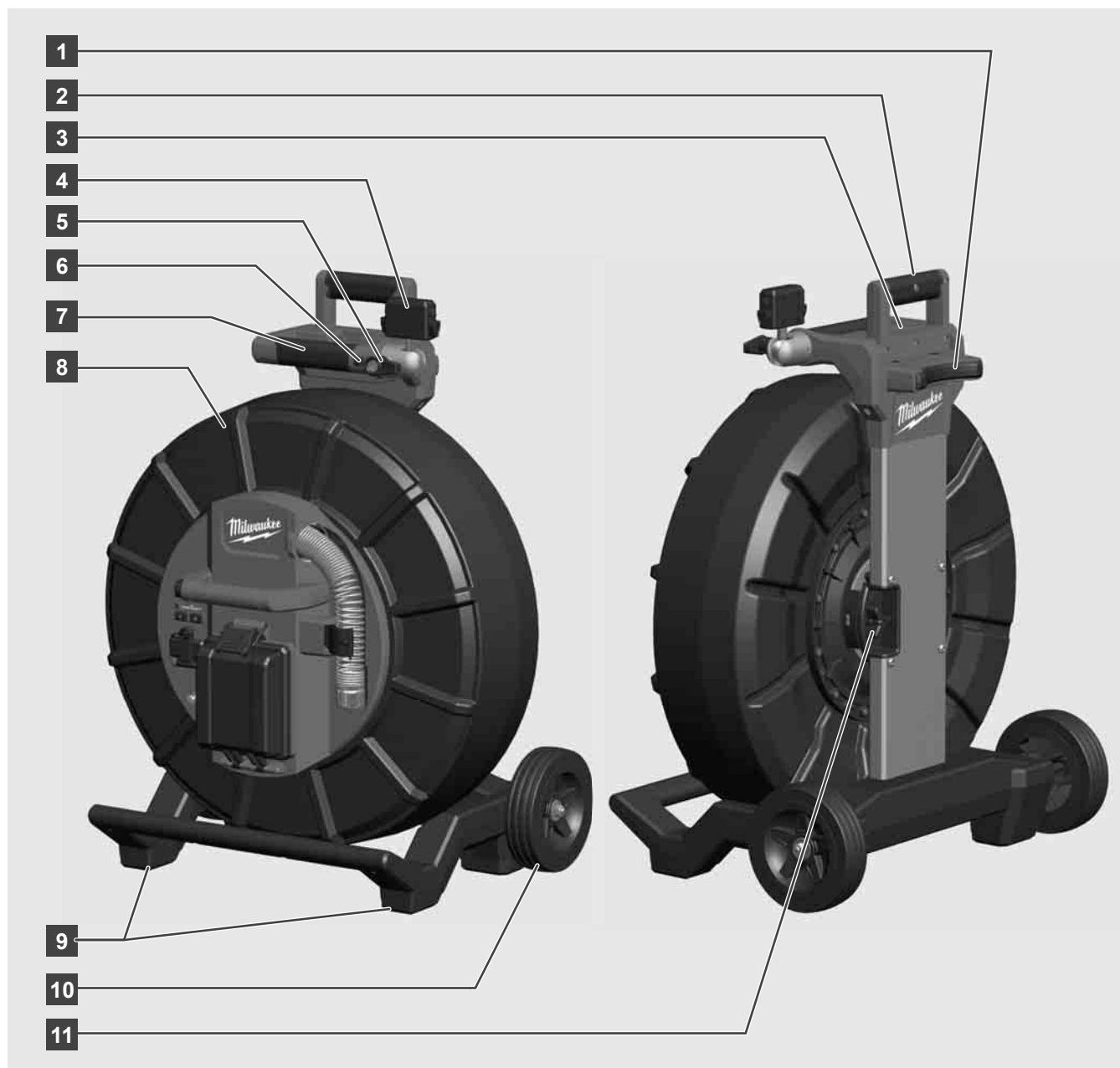
## 3 PIPELINE INSPECTION REELS

### 3.1 Overview pipeline inspection reel M18 SIC36



- 1 Horizontal position feet
- 2 WIRELESS MONITOR M18SIM/tablet mount connector
- 3 WIRELESS MONITOR M18SIM rotation lock
- 4 WIRELESS MONITOR M18SIM tilt lock
- 5 Handle
- 6 Push cable drum and push cable
- 7 Vertical position feet
- 8 Push cable drum brake
- 9 Horizontal position feet
- 10 Backpack plate

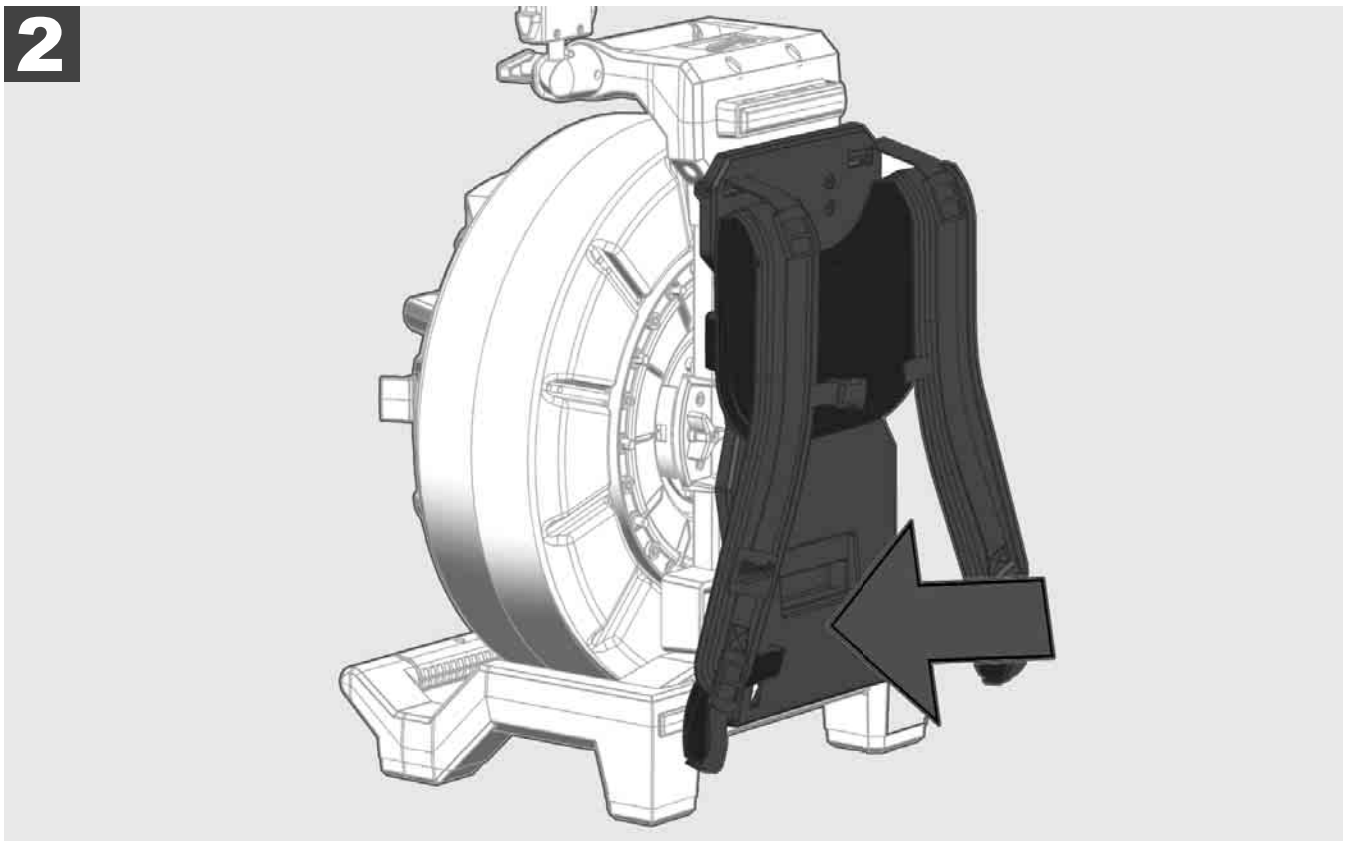
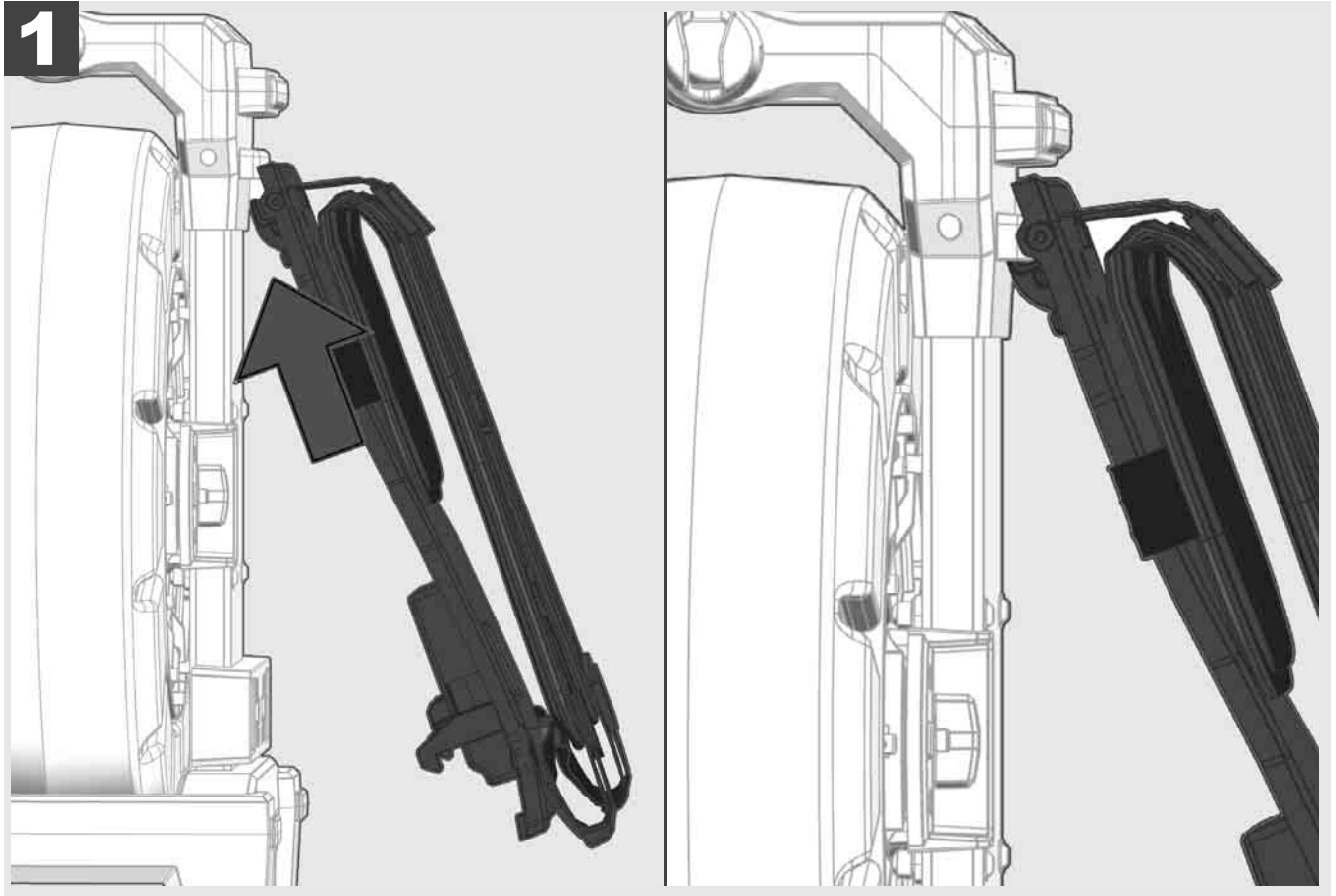
## 3.2 Overview pipeline inspection reel M18 SIC60



- 1 Horizontal position feet
- 2 Retractable handle (shown in the lowered position)
- 3 Retractable handle lock and release button
- 4 WIRELESS MONITOR M18SIM mount/tablet mount connector
- 5 WIRELESS MONITOR M18SIM rotation lock
- 6 WIRELESS MONITOR M18SIM tilt lock
- 7 Handle
- 8 Push cable drum and push cable
- 9 Vertical position feet
- 10 Wheels
- 11 Push cable drum brake

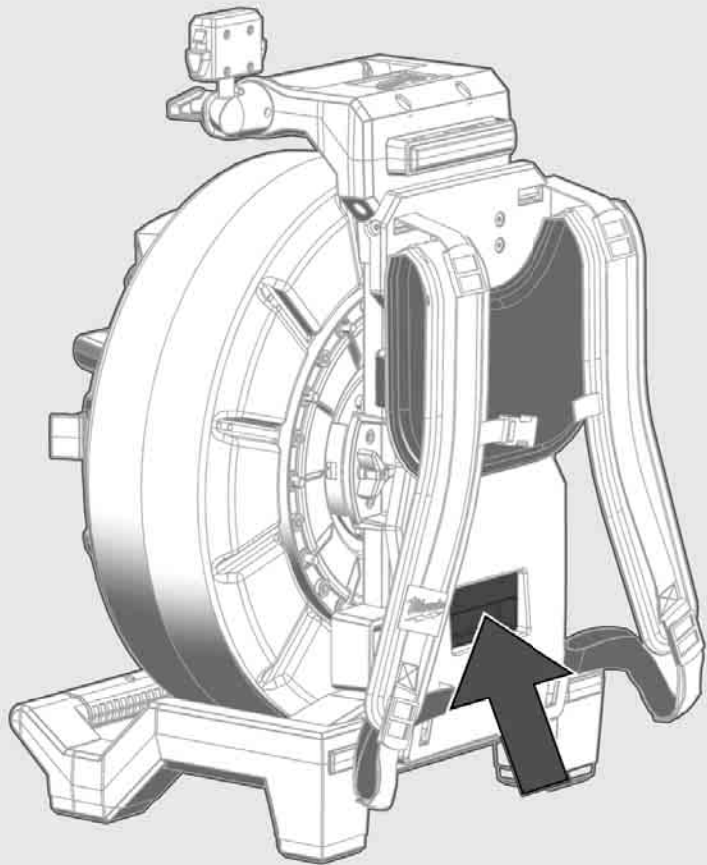
### 3.3 Installing the backpack plate

The PIPELINE INSPECTION REEL M18 SIC36 comes with a backpack mounting plate which allows the reel to be carried as a backpack. This is useful for transporting the small reel to and from the job site. This is extremely helpful for climbing stairs or ladders.

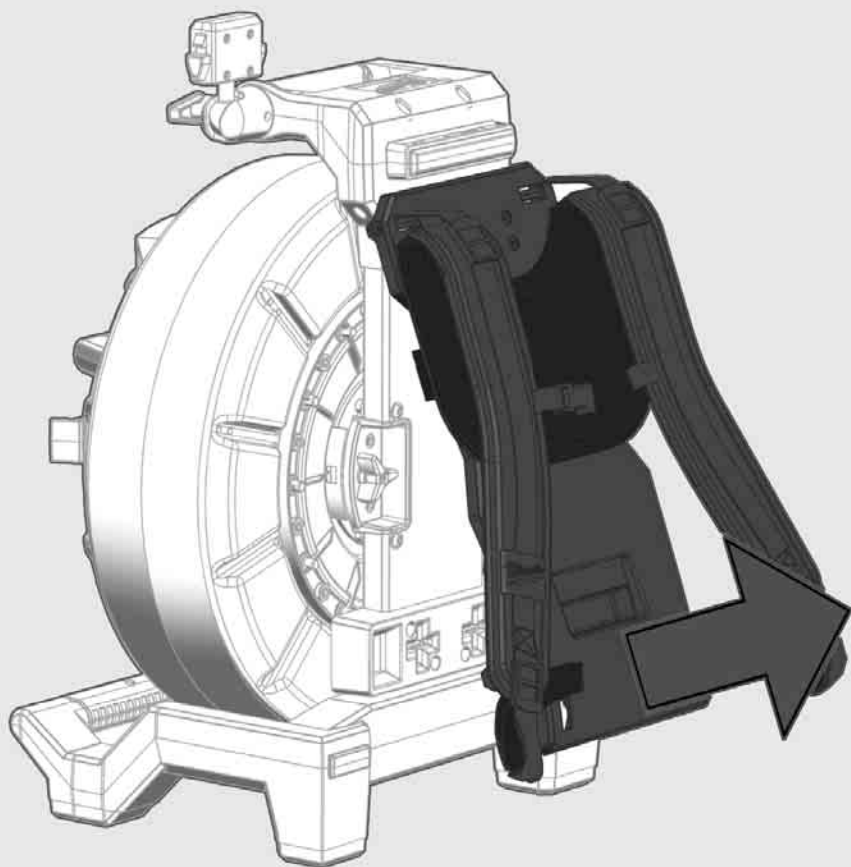


Push with the palm of the hand against the bottom of the backpack until it locks in place. Give a slight tug to make sure that it is locked in place.

**1**

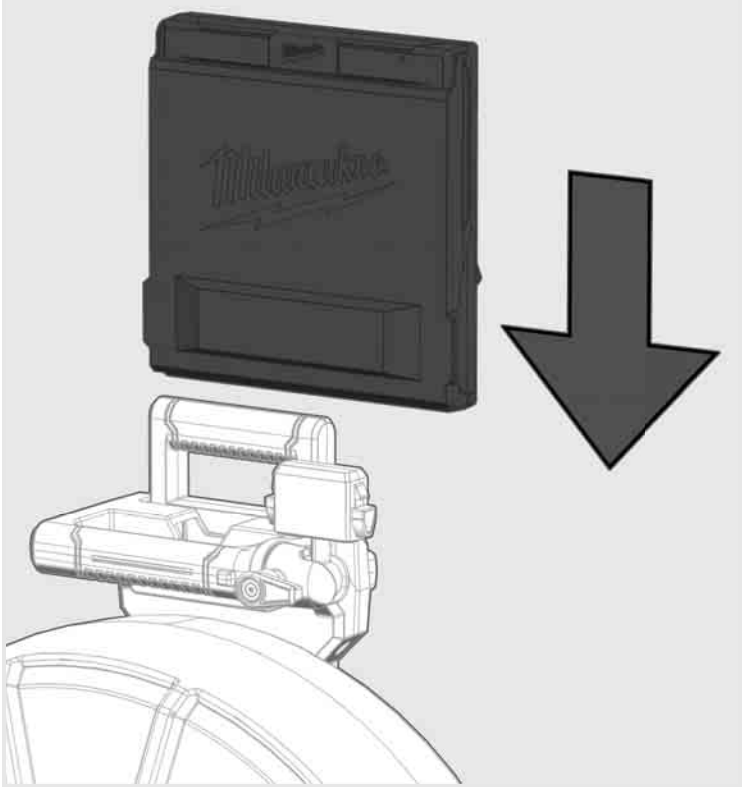


**2**

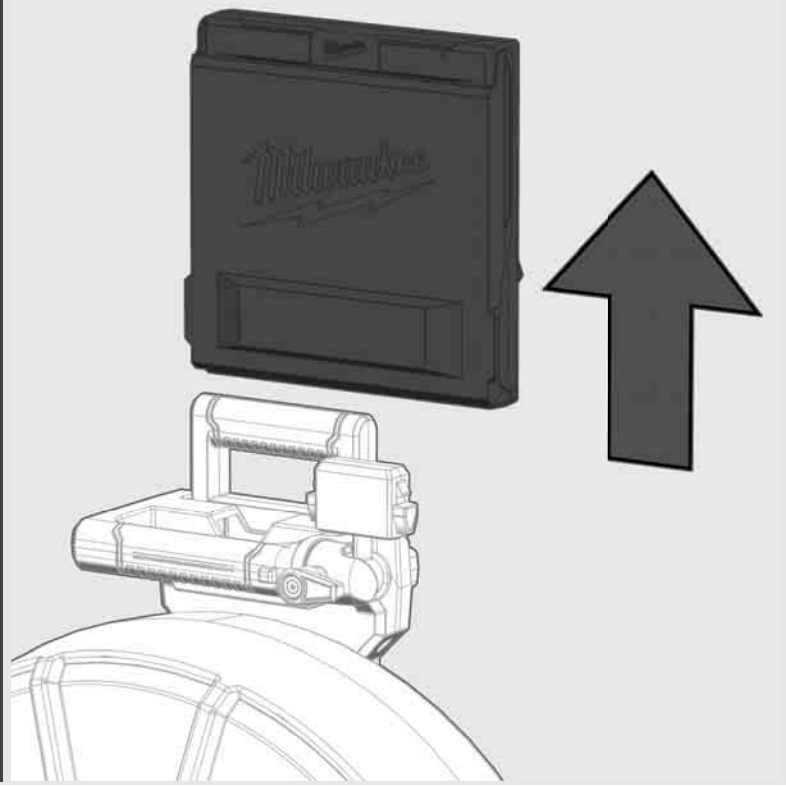
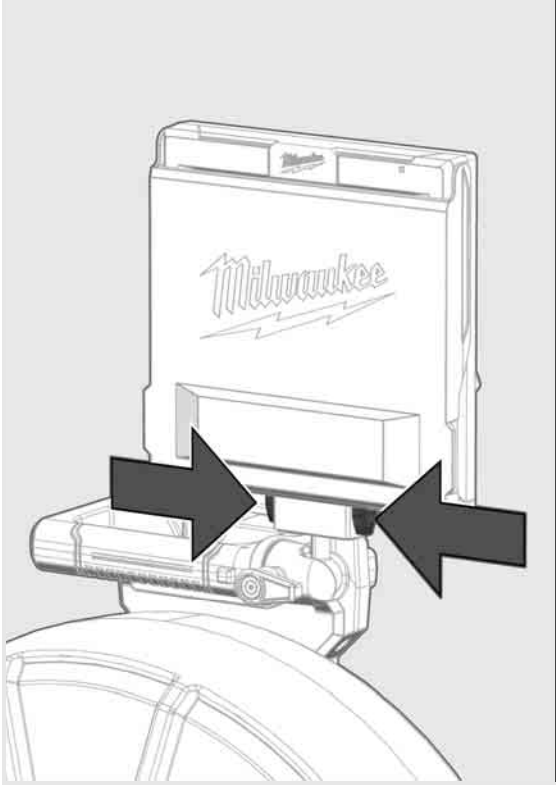




**1**



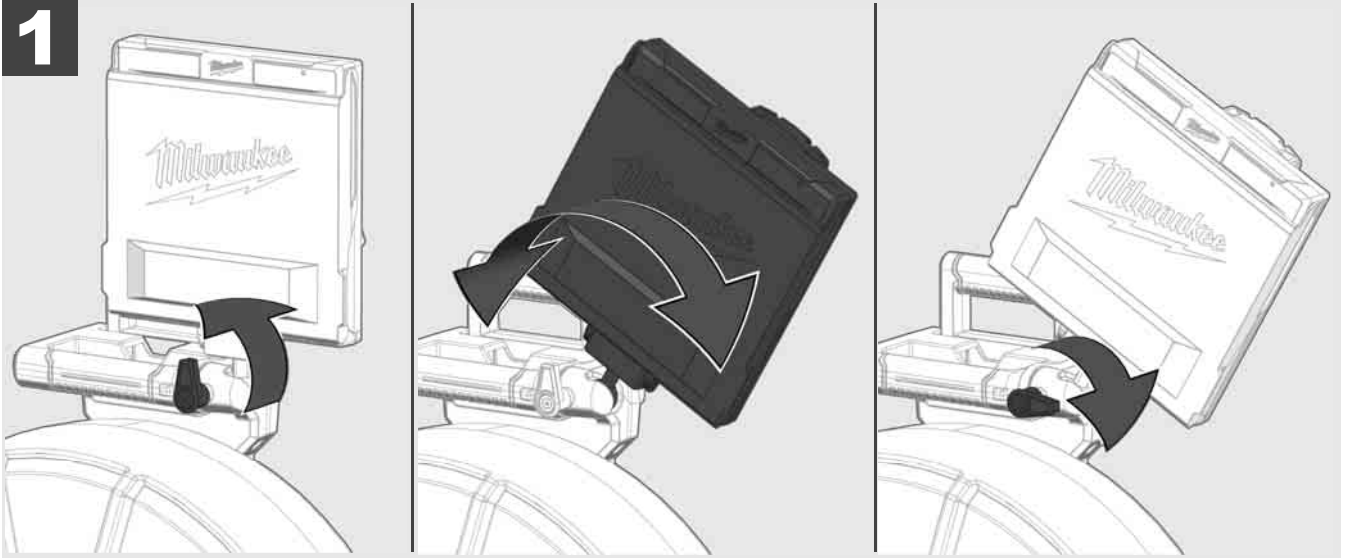
**2**



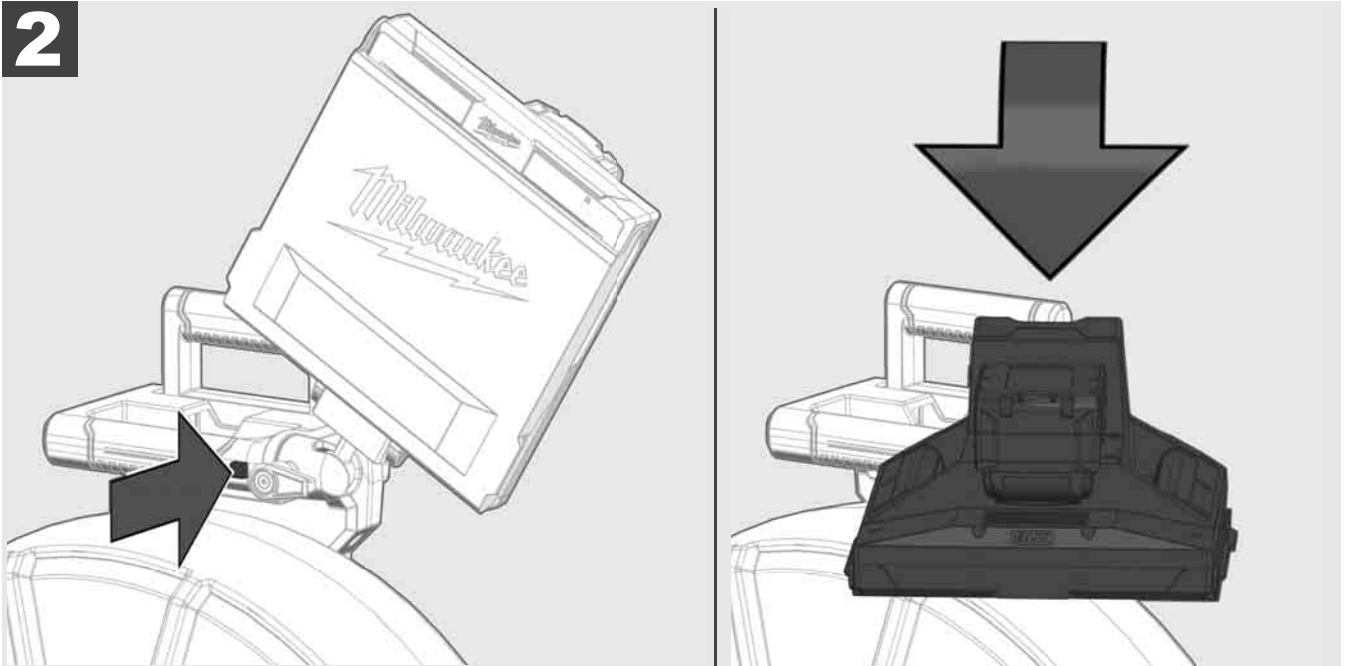
### 3.6 Adjusting the Wireless Monitor M18SIM



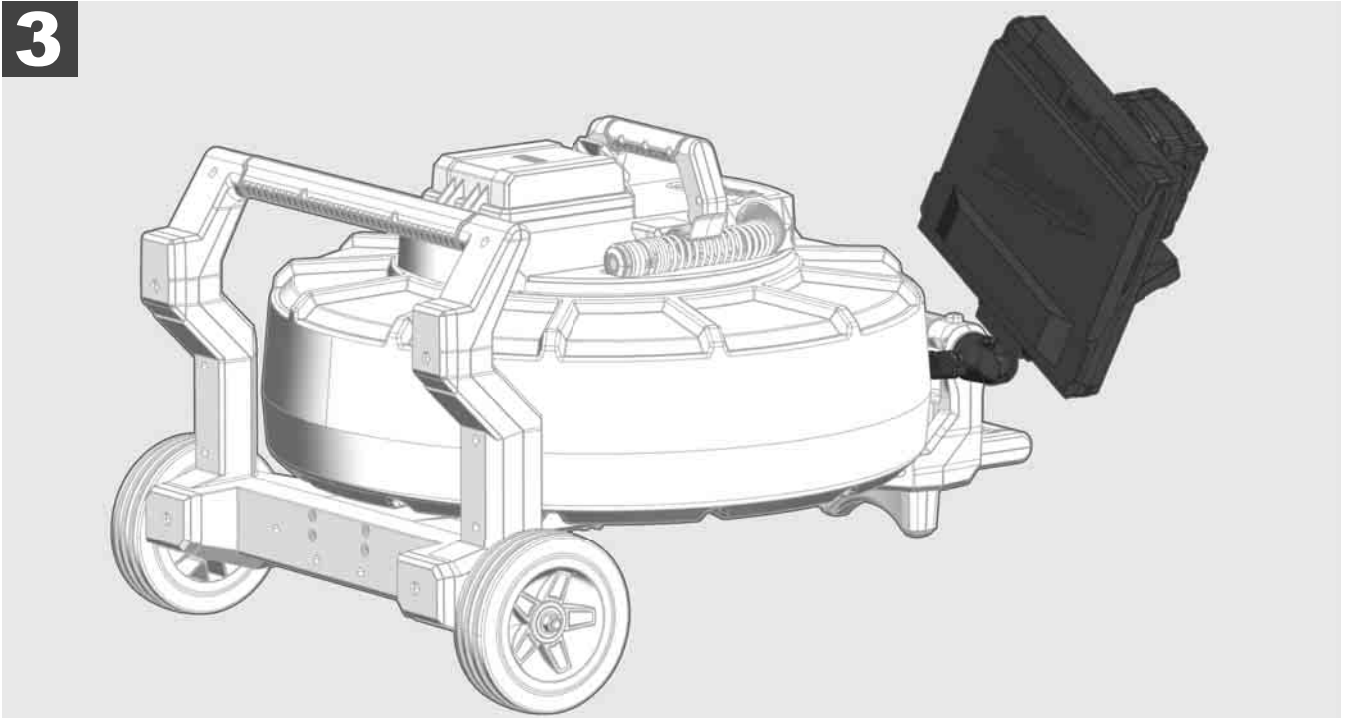
**1**



**2**



**3**



### 3.7 Using the pipeline inspection reel



Check push cable for wear - visually inspect the push cable for cuts, kinks, and abrasions as it is retrieved back into the cable cage. If the jacket is cut or worn to the point that the yellow or white kevlar braid can be seen, then it is time to replace the push cable. Using the push cable with open cuts will result in water and moisture entering the push cable and eventually traveling through it, causing a degraded camera image, or total image failure.

The push cable sections shown below are examples of badly worn jackets. Push cable such as this should be replaced as soon as possible.

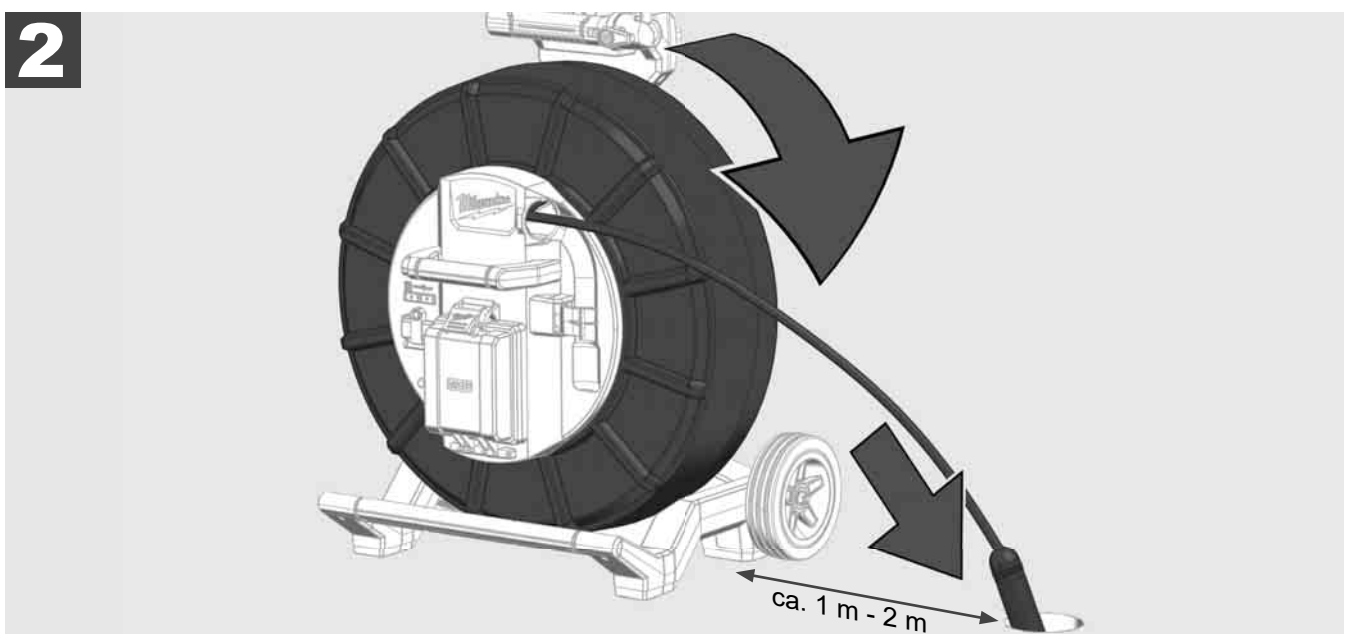
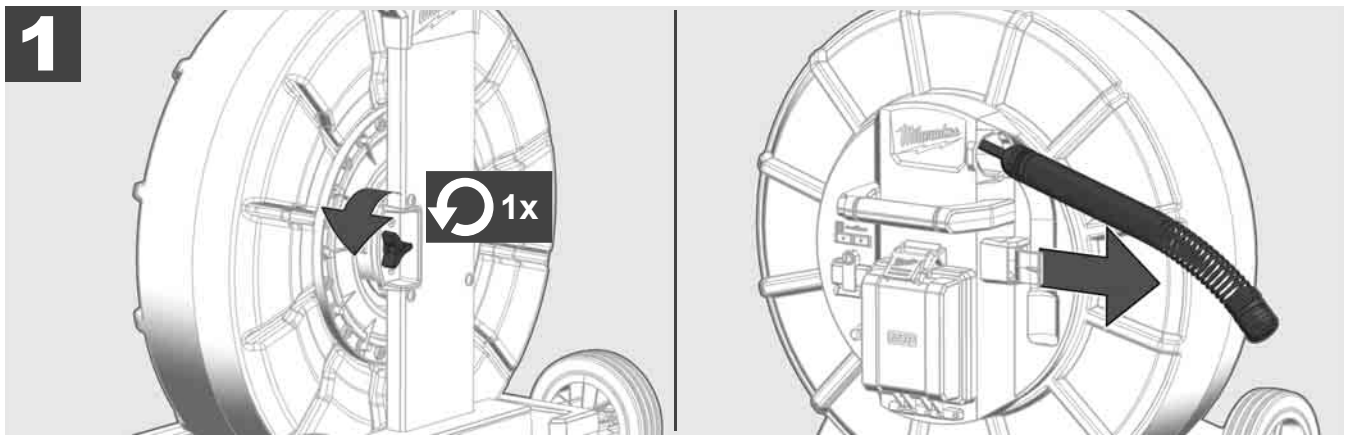


Keep the push cable and termination spring assembly dry and clean – when retrieving the push cable keep a clean, dry rag in one hand and wipe down the push cable as it moves through it. At the end of the day, use low-pressure water to rinse off the camera head and rinse away accumulated dirt and debris that may be caught in the spring. Shake dry or use low-pressure air to blow the excess water away and dry off the parts. The camera head, push cable and termination parts are exposed to very harsh chemicals in day-to-day use. Keeping a clean system will help prolong the life of these parts.

Maintain proper control of the push cable – attempting to pull the push cable out of the reel while the reel is locked will result in the push cable collapsing in the reel and stressing the push cable. Pushing the push cable back into the reel while it is locked may cause the reel to tip over or kink the cable.

Position the reel on a flat surface approximately three to six feet or one to two meters from the entry point. This will provide enough space to work with the push cable without a lot of slack dragging on the ground. Use the friction brake to slow down the movement of the push cable drum if needed.

Using the reel in a horizontal position makes the width between the feet greater. This will give the reel more stability if on uneven surfaces and will lower the height when in confined spaces.





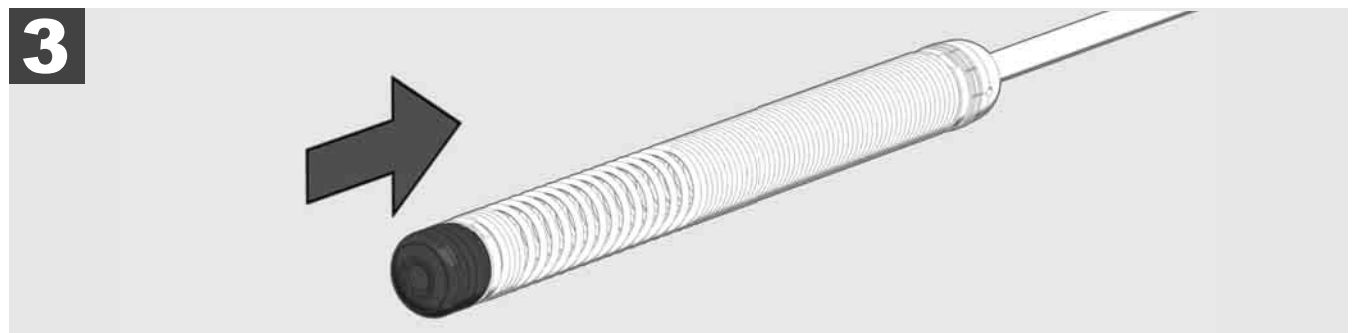
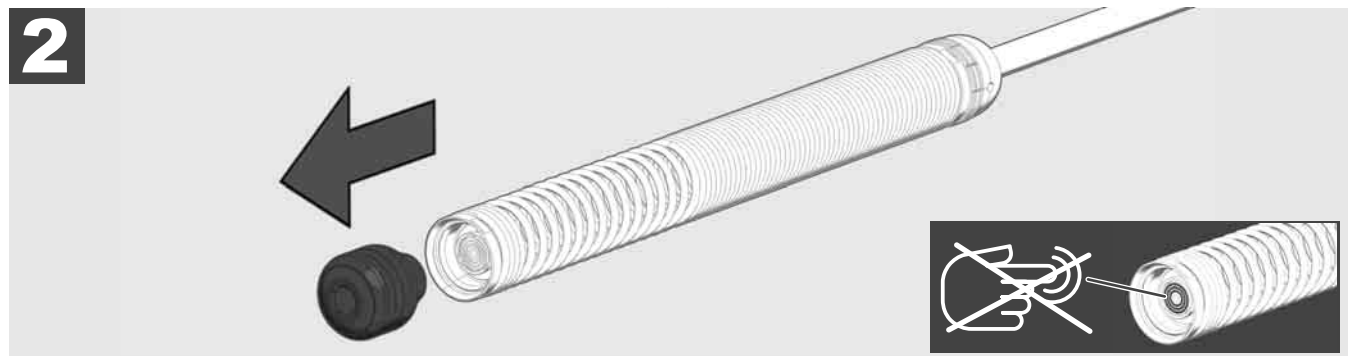
### 3.8 Camera head assembly



Avoid touching the green circuit board or gold pins on the spring assembly or camera head with bare hands. Touching these will transfer oils from the fingers to these components, which may lead to premature corrosion. Wear clean, dry rubber gloves if possible.

Before removing the camera head, wipe it dry, and remove any dirt that may fall into the camera connection areas.

Do not overtighten or use excessive force!



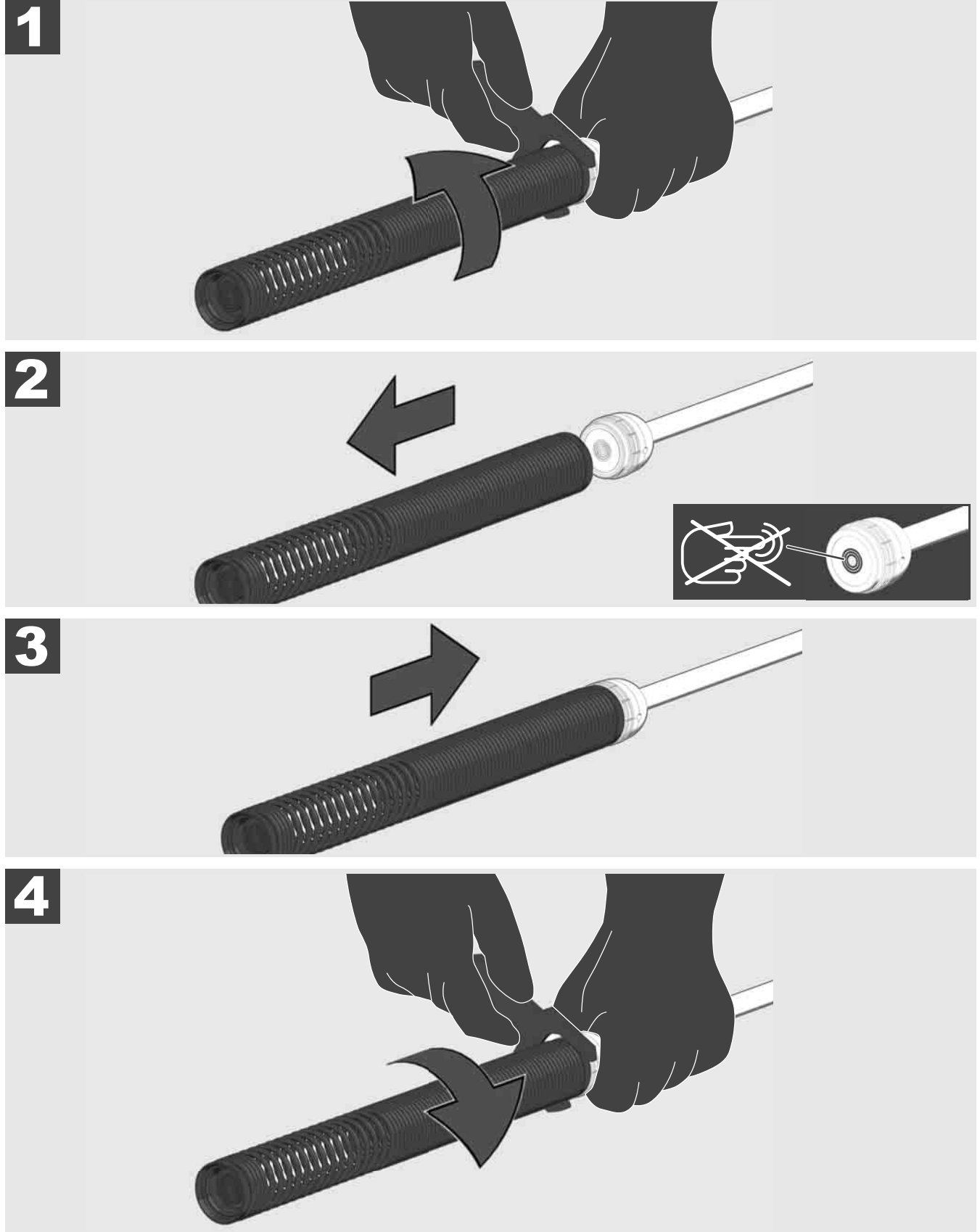
### 3.9 Spring assembly



Avoid touching the green circuit board or gold pins on the spring assembly or camera head with bare hands. Touching these will transfer oils from the fingers to these components, which may lead to premature corrosion. Wear clean, dry rubber gloves if possible.

Before removing the camera head, wipe it dry, and remove any dirt that may fall into the camera connection areas.

Do not overtighten or use excessive force!

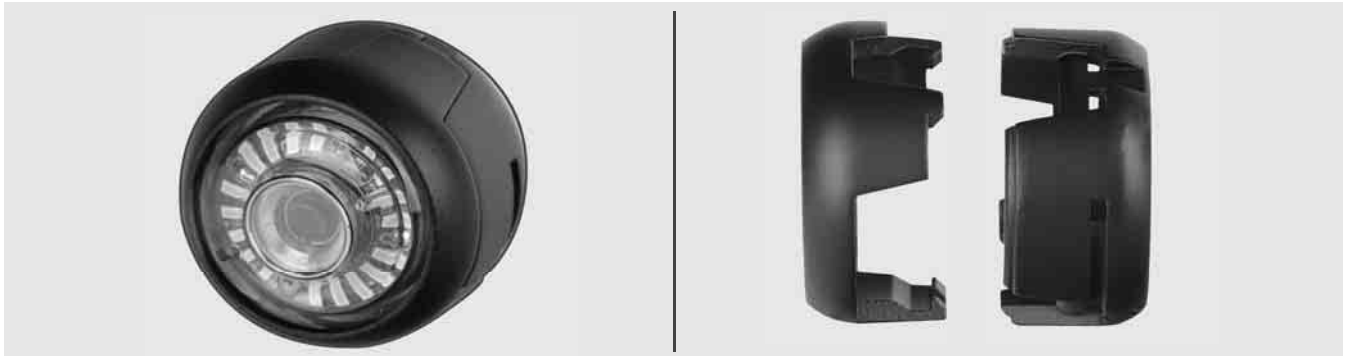


### 3.10 Camera protective cover

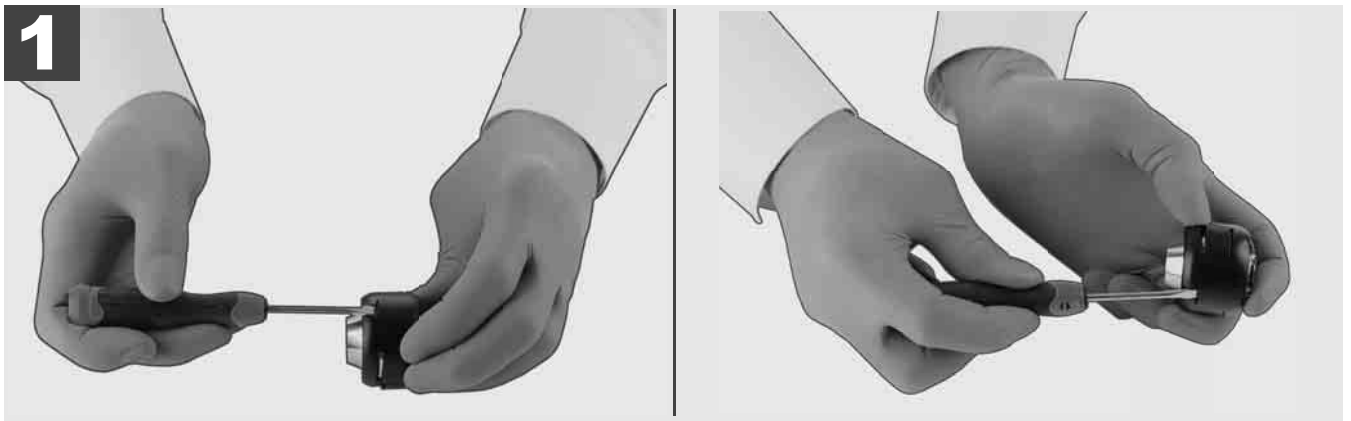


Protective Covers – are covers that fit over the 25mm and 34mm camera heads. The protective covers are provided with all PIPELINE INSPECTION REEL systems or replacement camera heads.

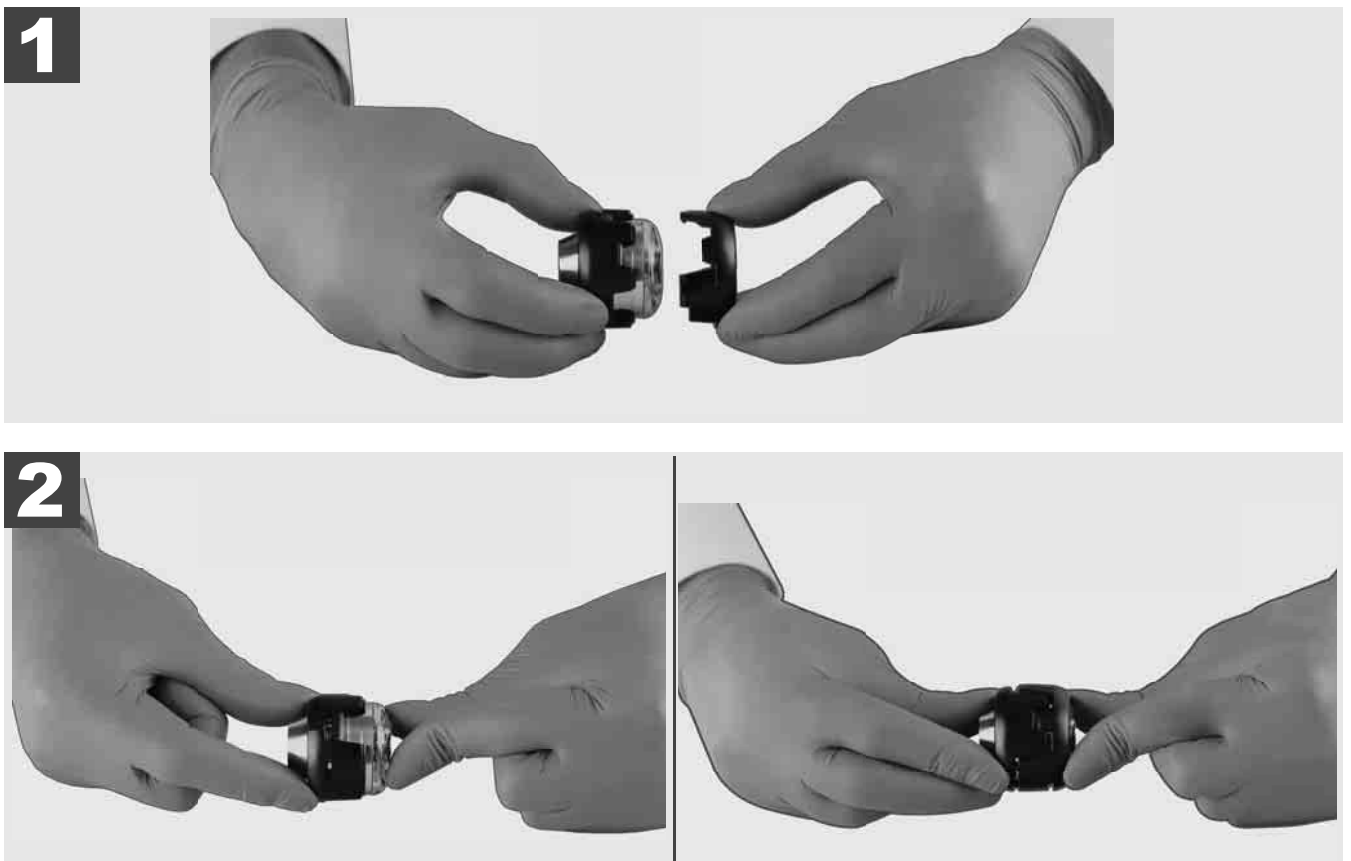
Skids - are devices that attach to the spring assembly to keep the camera head off the floor of the pipe and prevent the camera head from making direct contact with the pipe.



#### Removing the protective cover



#### Installing the protective cover



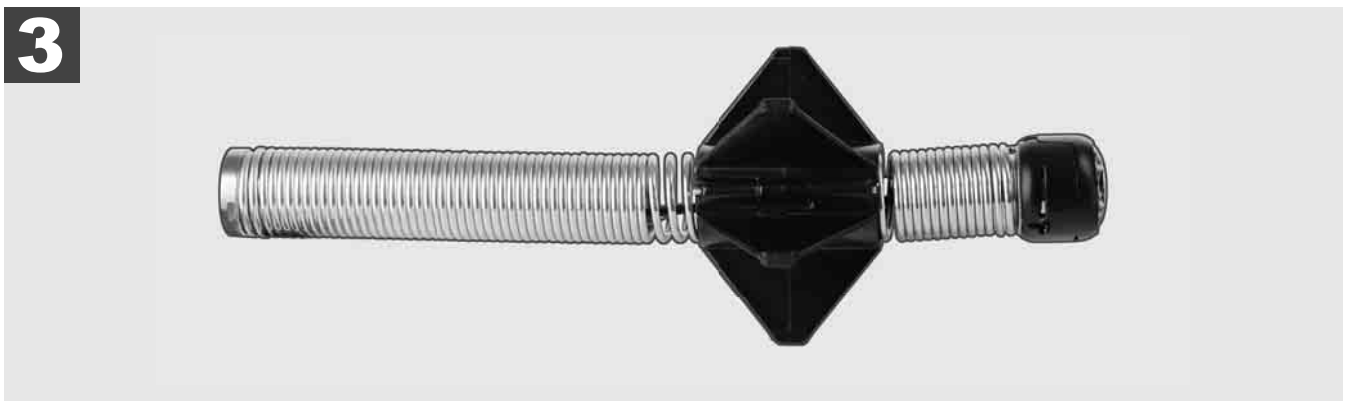
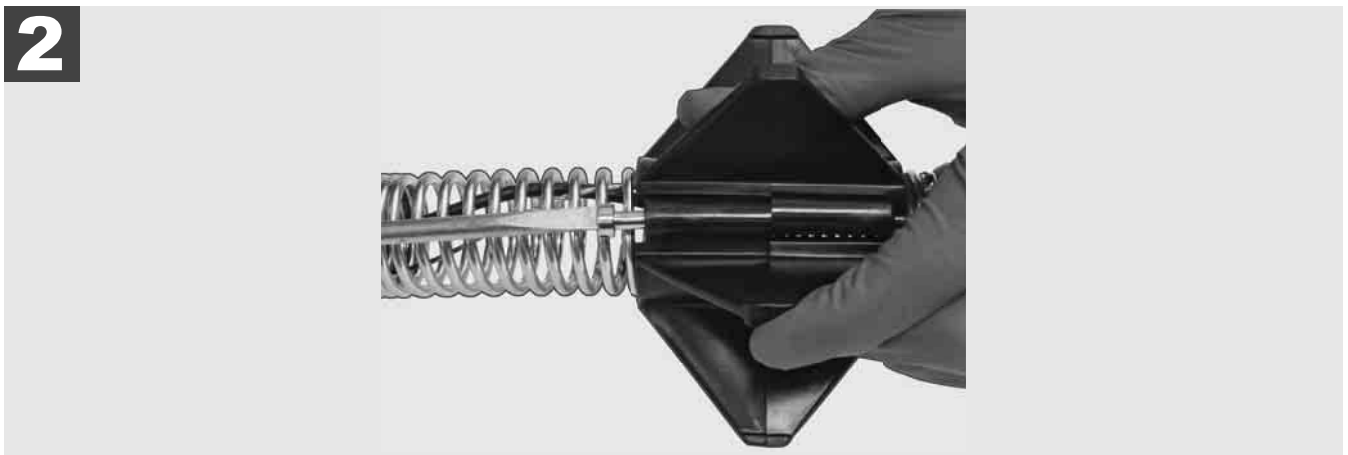
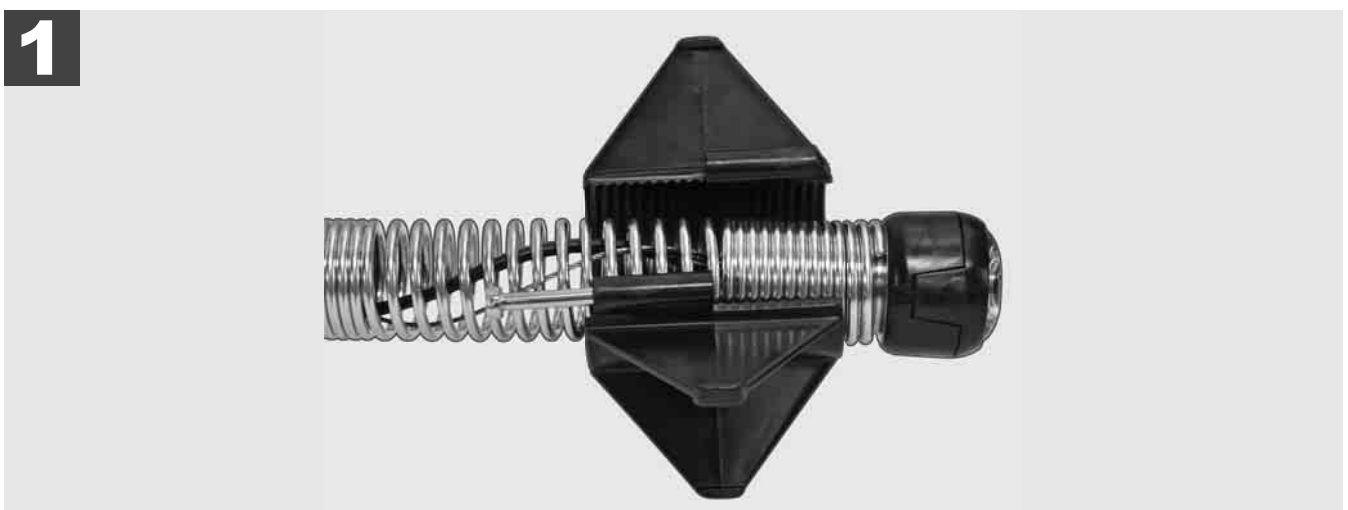
### 3.11 Camera skids



There are two skids available for both the 25mm and 34mm camera heads. A small 75 mm version and a medium 100 mm version.


25mm Camera Skids

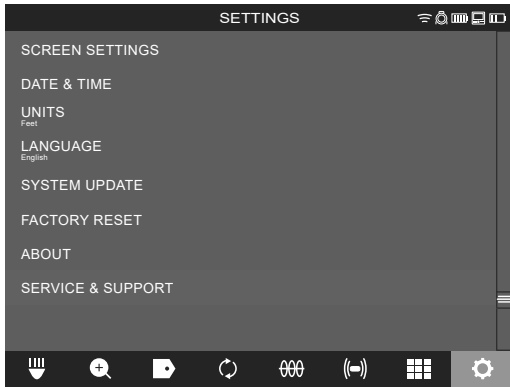
34mm Camera Skids




### 3.12 Service & support


If any part of your PIPELINE INSPECTION SYSTEM should require service, you will find Milwaukee Tool's service page and support number in the SERVICE & SUPPORT directory.

Go to **SETTINGS**  **→ SERVICE & SUPPORT**





**Milwaukee**  
Nothing but **HEAVY DUTY**®

click 



**M18 SIC36**  
**M18 SIC60**  
**M18 SISH**

click 



**M18 SIM**

click 

1	Allgemeine Hinweise .....	2
1.1	Besondere Sicherheitsvorschriften für Rohrinspektionssysteme .....	2
1.2	Weitere Sicherheits- und Arbeitshinweise .....	2
1.3	Technische Daten .....	3
1.4	Bestimmungsgemäße Verwendung .....	3
1.5	Funkfrequenzanforderungen in Bezug auf europäische Installationen .....	3
1.6	EG-Konformitätserklärung .....	4
1.7	<b>ONE-KEY™</b> .....	4
1.8	Akkus .....	4
1.9	Transport von Lithium-Ionen-Akkus .....	4
1.10	Wartung .....	5
1.11	Symbole .....	5
2	Smart Hub M18 SISH .....	6
2.1	Übersicht Smart Hub M18 SISH .....	6
2.2	Akku einsetzen und entnehmen .....	7
2.3	Akkuladezustand überprüfen .....	8
2.4	Smart Hub M18 SISH einsetzen .....	9
2.5	Smart Hub M18 SISH entfernen .....	10
2.6	Ein-/Aus-Schalter .....	11
2.7	Monitor anschließen .....	12
2.8	USB-Ports .....	13
2.9	Erdungsstab .....	14
2.10	Längenzähler zurücksetzen .....	15
2.11	Kamera-Testanschluss .....	16
2.12	Internes Laufwerk und USB-Stick formatieren .....	17
2.13	Werkseinstellungen .....	18
2.14	System-Update .....	19
3	ROHRINSPEKTIONSTROMMELN .....	21
3.1	Übersicht Rohrinspektionstrommel M18 SIC36 .....	21
3.2	Übersicht Rohrinspektionstrommel M18 SIC60 .....	22
3.3	Tragevorrichtung installieren .....	23
3.4	Tragevorrichtung entfernen .....	24
3.5	Drahtlosen Monitor M18 SIM installieren .....	25
3.6	Drahtlosen Monitor M18 SIM einstellen .....	26
3.7	Gebrauch der Rohrinspektionstrommel .....	27
3.8	Kamerakopfbaugruppe .....	28
3.9	Federgruppe .....	29
3.10	Kameraschutzabdeckung .....	30
3.11	Kameraführungen .....	31
3.12	Service und Support .....	32

## 1.1 Besondere Sicherheitsvorschriften für Rohrinspektionssysteme

Bei Arbeiten in Rohren darauf achten, dass diese nicht unter Spannung stehen oder elektrisch aufgeladen sind. Die Rohre dürfen keine Flüssigkeit enthalten. Die Kamera und das Gerät dürfen nicht mit Flüssigkeit in Berührung kommen.

Die Kamera und das Kabel dürfen nicht in Berührung mit Öl, Gas oder anderen korrosionsfähigen Materialien kommen.

Um das Risiko von Explosion, elektrischem Schlag und Sachschaden zu reduzieren, immer vor allen Arbeiten den Arbeitsbereich überprüfen. Das Kabel darf nicht mit elektrischen Komponenten, Chemikalien oder beweglichen Teilen in Kontakt kommen.

Um das Risiko von Schäden am Gerät zu reduzieren, keine übermäßige Kraft anwenden und das Kabel nicht knicken. Die Inspektionskamera und das Kabel nicht in Bereichen einsetzen, wo sie mit ätzenden oder öligen Substanzen in Berührung kommen können.

Das Kabel nicht zum Beseitigen von Verstopfungen oder Hindernissen verwenden. Dies ist kein Rohrreiniger!

Wenn das zu inspizierende Abflussrohr Chemikalien, Bakterien oder andere toxische Substanzen bzw. Infektionserreger enthalten könnte, dann verwenden Sie unter den vom Hersteller empfohlenen Schutzhandschuhen Latex- oder Gummihandschuhe sowie Schutzbrille, Gesichtsschutz, Schutzkleidung und Atemschutzmaske. Rohrleitungen können Chemikalien, Bakterien oder andere Substanzen enthalten, die toxisch oder infektionserregend sein und Verätzungen oder andere schwere Verletzungen hervorrufen können.

Beachten Sie die Hygienevorschriften. Essen oder rauchen Sie nicht, während Sie mit dem Gerät arbeiten. Nach dem Umgang mit oder dem Gebrauch des Rohrinspektionssystems sind die Hände und sonstige Körperteile, die mit dem Rohrinhalt in Berührung gekommen sind, immer mit warmem Wasser und Seife zu waschen. So vermeiden Sie Gesundheitsrisiken auf Grund von Kontakt mit toxischen oder infektionserregenden Stoffen.

Prüfen Sie das Kabel vor dem Gebrauch auf Verschleißspuren und Beschädigungen. Ersetzen Sie ein verschlissenes oder beschädigtes Kabel vor dem Einsatz des Geräts.

**VORSICHT!** Beim Transport des Rohrinspektionssystems mithilfe der Tragevorrichtung auf dem Rücken ist Vorsicht geboten. Sie könnten das Gleichgewicht verlieren.

Verwenden Sie das Gerät stets bedacht und vorsichtig. Es ist unmöglich, alle Gefahrensituationen vorherzusehen. Verwenden Sie dieses Gerät nicht, wenn Sie die vorliegende Anleitung nicht verstehen oder sich mit der Arbeit überfordert fühlen. Wenden Sie sich für weitere Informationen oder Schulungen an Milwaukee oder einen qualifizierten Fachmann.

Etiketten und Typenschilder nicht entfernen. Diese Schilder enthalten wichtige Informationen. Wenn diese Hinweisschilder nicht mehr leserlich sind oder fehlen, wenden Sie sich an den MILWAUKEE-Kundendienst, um kostenlosen Ersatz zu erhalten.

Manche durch Schleif-, Säge- und Bohrmaschinen oder sonstige Bautätigkeiten verursachten Stäube können chemische Substanzen enthalten, die krebserregend sind, zu Geburtsschäden führen oder die Fortpflanzungsfähigkeit beeinträchtigen. Beispiele für diese Art von chemischen Substanzen sind:

- Blei aus Farben auf Bleibasis,
- kristallines Siliziumdioxid aus Ziegelsteinen, Zement oder anderen Mauerwerksprodukten sowie
- Arsen oder Chrom aus chemisch behandeltem Bauholz.

Das Expositionsrisiko hängt davon ab, wie oft Sie diese Art von Tätigkeit verrichten. Um das Expositionsrisiko so gering wie möglich zu halten, arbeiten Sie stets in gut belüfteten Bereichen. Tragen Sie eine offiziell genehmigte Schutzausrüstung, wie zum Beispiel Staubmasken mit Mikropartikelfilter.

## 1.2 Weitere Sicherheits- und Arbeitshinweise

Den Akku nicht wechseln, wenn die Oberfläche des Werkzeugs nass ist.

Verbrauchte Akkus nicht verbrennen oder in den Hausmüll werfen. Milwaukee-Fachhändler bieten eine umweltgerechte Alt-Akku-Entsorgung an.

Akkus nicht zusammen mit Metallgegenständen aufbewahren (Kurzschlussgefahr).

Akkus des Systems M18 nur mit Ladegeräten des Systems M18 laden. Verwenden Sie keine Akkus aus anderen Systemen.

Unter extremer Belastung oder extremer Temperatur kann aus beschädigten Akkus Batterieflüssigkeit auslaufen. Bei Berührung mit Batterieflüssigkeit sofort mit Wasser und Seife abwaschen. Bei Augenkontakt sofort mindestens 10 Minuten gründlich spülen und unverzüglich einen Arzt aufsuchen.

**Warnung!** Um die durch einen Kurzschluss verursachte Gefahr eines Brandes, von Verletzungen oder Produktbeschädigungen zu vermeiden, tauchen Sie das Gerät, den Akku oder das Ladegerät nicht in Flüssigkeiten ein und sorgen Sie dafür, dass keine Flüssigkeiten eindringen können. Korrodierende oder leitfähige Flüssigkeiten, wie Salzwasser, bestimmte Chemikalien und Bleichmittel oder Produkte, die Bleichmittel enthalten, können einen Kurzschluss verursachen.

Dieses Gerät darf nicht von Personen bedient oder gereinigt werden, die über verminderte körperliche, sensorische oder geistige Fähigkeiten bzw. mangelnde Erfahrung oder Kenntnisse verfügen, es sei denn, sie wurden von einer gesetzlich für ihre Sicherheit verantwortlichen Person im sicheren Umgang mit dem Gerät unterwiesen. Oben genannte Personen sind bei der Verwendung des Geräts zu beaufsichtigen. Dieses Gerät gehört nicht in die Hände von Kindern. Bei Nichtverwendung ist es deshalb sicher und außerhalb der Reichweite von Kindern zu verwahren.

### 1.3 Technische Daten

	M18 SIC36	M18 SIC60	M18 SISH
Kamerakabellänge .....	36 m	60 m	
Kamerakopf.....	ø 25 mm	ø 34 mm	
Max. Vergrößerung .....	4x	4x	
Akkuspannung .....			18 V
Gewicht nach EPTA-Prozedur 01/2014 (4.0 Ah / 12 Ah).....	12,4 kg	20,46 kg	5,37 kg
Bluetooth-Frequenzband (Frequenzbänder).....			2402-2480 MHz
Hochfrequenzleistung .....			1,8 dBm
Bluetooth-Version.....	4.0 BT-Signalmodus		
Empfohlene Umgebungstemperatur beim Arbeiten .....	-18 .... +50 °C		
Empfohlene Akkutypen .....	M18B....; M18HB....		
Empfohlene Ladegeräte.....	M12-18C, M12-18AC, M12-18FC, M1418C6		

### 1.4 Bestimmungsgemäße Verwendung

Das Rohrinspektionssystem dient zur Sichtung und Inspektion von Rohrleitungen. Das System besteht aus drei Modulen:

#### - Rohrinspektionstrommel M18 SIC36 oder M18 SIC60

Die Rohrinspektionstrommel dient zum Auf- und Abwickeln und zur Steuerung des Schiebekabels. Die Trommeln sind in zwei Größen erhältlich: M18SIC36 für Rohre mit einem Durchmesser von 50 mm bis 150 mm und das größere Modell M18SIC60 für Rohre mit einem Durchmesser von 75 mm bis 250 mm. Beide Trommeln beinhalten ein Schiebekabel mit Federbaugruppe, auf der der selbstnivellierende Kamerakopf montiert ist. Der drahtlose Monitor M18 SIM und das Smart Hub M18 SISH können mit beiden Trommeln verwendet werden.

Beide Trommeln können sowohl senkrecht als auch waagrecht eingesetzt werden. Auf der Rückseite von M18 SIC36 kann eine Tragevorrichtung befestigt werden, um das Gerät auf dem Rücken zu tragen.

#### - Smart Hub M18 SISH

Das Smart Hub M18 SISH dient zur Steuerung des Rohrinspektionssystems.

Der drahtlose Monitor M18 SIM oder das Tablet, auf dem die Milwaukee® Rohrinspektions-App installiert ist, verbindet sich mit dem Smart Hub M18 SISH, um die Videoaufnahmen und Bilder zu empfangen. Sowohl Videos als auch Bilder werden auf dem internen Laufwerk des Smart Hubs M18 SISH gespeichert.

#### - Drahtloser Monitor M18 SIM (nicht im Lieferumfang enthalten; kann separat erworben werden)

Der drahtlose Monitor M18 SIM ermöglicht das Ansehen der vom Kamerakopf aufgenommenen Videos, das Aufzeichnen von Videos und Fotos sowie die Wiedergabe von Video- und Bilddateien. Während der Videoaufnahme können über das interne Mikrofon gesprochene Kommentare aufgezeichnet werden. Über die Funktion „Kennzeichnungen“ können auch Kommentartexte hinzugefügt werden. Die Kommentartexte werden im aufgezeichneten Video eingeblendet und erscheinen zusammen mit Datum, Uhrzeit und abgewickelter Kabellänge auf den Fotos.

Dieses Gerät darf nur wie angegeben bestimmungsgemäß verwendet werden.

### 1.5 Funkfrequenzanforderungen in Bezug auf europäische Installationen

Hinweis: Dieses Gerät wurde getestet und hält die Grenzwerte eines Empfängers der Kategorie 3 gemäß EN 300 440 V2.1.1 ein.

Diese Grenzwerte sollen einen angemessenen Schutz vor funktechnischen Störungen in Wohngebäuden sicherstellen.

Dieses Gerät reagiert auf andere Geräte, die Funkwellen im Frequenzbereich von 2402 bis 2480 MHz aussenden. Dadurch kann es zu Störungen bei der Verwendung der Fernsteuerung kommen. Es kann nicht ausgeschlossen werden, dass sich unter bestimmten Umständen Störungen manifestieren. Um festzustellen, ob



dieses Gerät durch die Funksignale anderer Geräte gestört wird, schalten Sie die anderen Geräte kurzfristig aus, um zu prüfen, ob die Störungen dann verschwinden. Folgende Maßnahmen können helfen, die Störungen zu beheben:

- Die Störquelle ausschalten.
- Den Abstand zur Störquelle erhöhen.
- Einen Fachhändler oder qualifizierten Funktechniker zu Rate ziehen.

## 1.6 EG-Konformitätserklärung

Hiermit erklärt Techtronic Industries GmbH, dass der Funkanlagentyp M18SISH der Richtlinie 2014/53/EU entspricht. Der vollständige Text der EU-Konformitätserklärung ist unter der folgenden Internetadresse verfügbar: <http://services.milwaukeeetool.eu>

## 1.7 ONE-KEY™

Um mehr über die ONE-KEY Funktionalität dieses Geräts zu erfahren, lesen Sie die beiliegende Schnellstartanleitung oder besuchen Sie uns im Internet unter [www.milwaukeeetool.com/one-key](http://www.milwaukeeetool.com/one-key). Sie können die ONE-KEY App über den App Store oder Google Play auf Ihr Smartphone herunterladen.

Kommt es zu elektrostatischen Entladungen, wird die Bluetooth-Verbindung unterbrochen. Stellen Sie in diesem Fall die Verbindung manuell wieder her.

Das Gerät entspricht den Mindestanforderungen gemäß EN 55014-2:2015 / EN 301489-1 V2.2.3 / EN 301489-17 V3.1.1.

### ONE-KEY™ Anzeige

Blaues Leuchten: Funkverbindung ist aktiv und kann über die ONE-KEY™ App eingestellt werden.

Blaues Blinken: Gerät kommuniziert mit der ONE-KEY™ App.

Rotes Blinken: Gerät wurde aus Sicherheitsgründen gesperrt und kann vom Bediener über die ONE-KEY™ App entsperrt werden.

## 1.8 Akkus

Längere Zeit nicht benutzte Akkus vor Gebrauch nachladen.

Eine Temperatur über 50°C vermindert die Leistung des Akkus. Längere Erwärmung durch Sonne oder Heizung vermeiden.

Die Anschlusskontakte an Ladegerät und Akku sauber halten.

Für eine optimale Lebensdauer muss der Akku nach dem Gebrauch voll geladen werden.

Für eine möglichst lange Lebensdauer sollte der Akku nach dem Aufladen aus dem Ladegerät entfernt werden.

Bei Lagerung des Akkus von mehr als 30 Tagen:

Akku bei einer Temperatur von unter 27°C und trocken lagern.

Akku bei einem Ladezustand von ca. 30%-50% lagern.

Akku alle 6 Monate erneut aufladen.

## 1.9 Transport von Lithium-Ionen-Akkus

Lithium-Ionen-Akkus fallen unter die gesetzlichen Bestimmungen zum Gefahrguttransport.

Der Transport dieser Akkus muss unter Einhaltung der lokalen, nationalen und internationalen Vorschriften und Bestimmungen erfolgen.

- Verbraucher dürfen diese Akkus ohne Weiteres auf der Straße transportieren.
- Der kommerzielle Transport von Lithium-Ionen-Akkus durch Speditionsunternehmen unterliegt den Bestimmungen des Gefahrguttransports. Die Versandvorbereitungen und der Transport dürfen ausschließlich von entsprechend geschulten Personen durchgeführt werden. Der gesamte Prozess muss fachmännisch begleitet werden.

Folgende Punkte sind beim Transport von Akkus zu beachten:

- Stellen Sie sicher, dass die Kontakte geschützt und isoliert sind, um Kurzschlüsse zu vermeiden.
- Achten Sie darauf, dass der Akku innerhalb der Verpackung nicht verrutschen kann.
- Beschädigte oder auslaufende Akkus dürfen nicht transportiert werden.

Wenden Sie sich für weitere Hinweise an Ihr Speditionsunternehmen.

## 1.10 Wartung

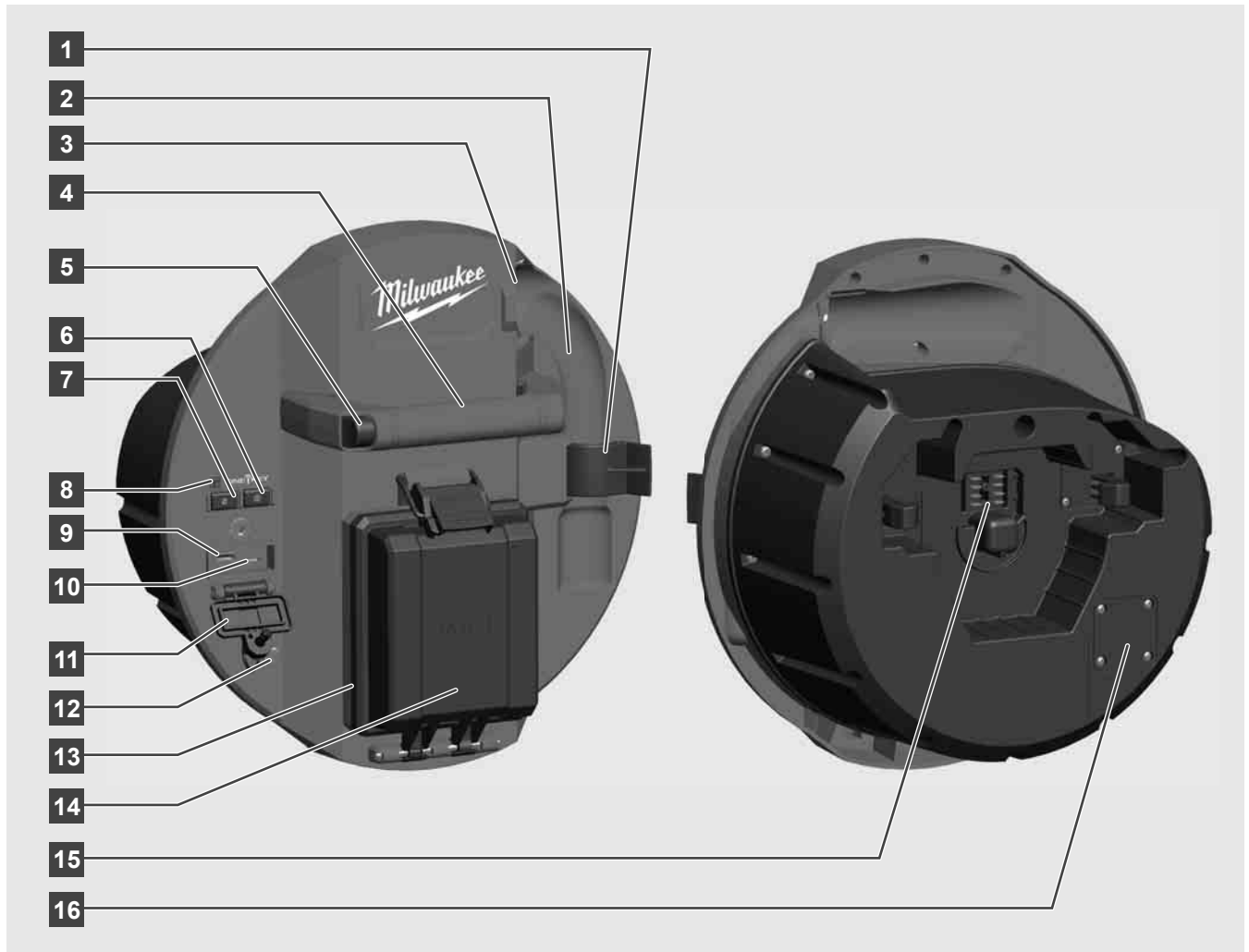
Nur Milwaukee Zubehör und Milwaukee Ersatzteile verwenden. Bauteile, deren Austausch nicht beschrieben wurde, bei einer Milwaukee Kundendienststelle auswechseln lassen (Broschüre Garantie/Kundendienstadressen beachten).

Bei Bedarf kann eine Explosionszeichnung des Gerätes unter Angabe des Gerätetyps und der sechsstelligen Nummer auf dem Leistungsschild bei Ihrer Kundendienststelle oder direkt bei Techtronic Industries GmbH, Max-Eyth-Straße 10, 71364 Winnenden, Germany angefordert werden.

## 1.11 Symbole

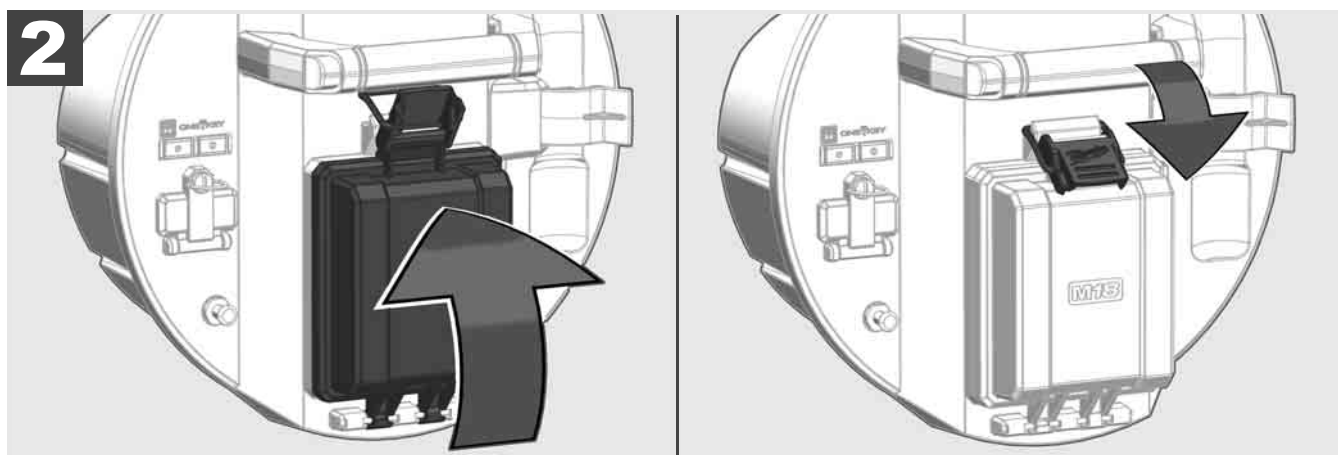
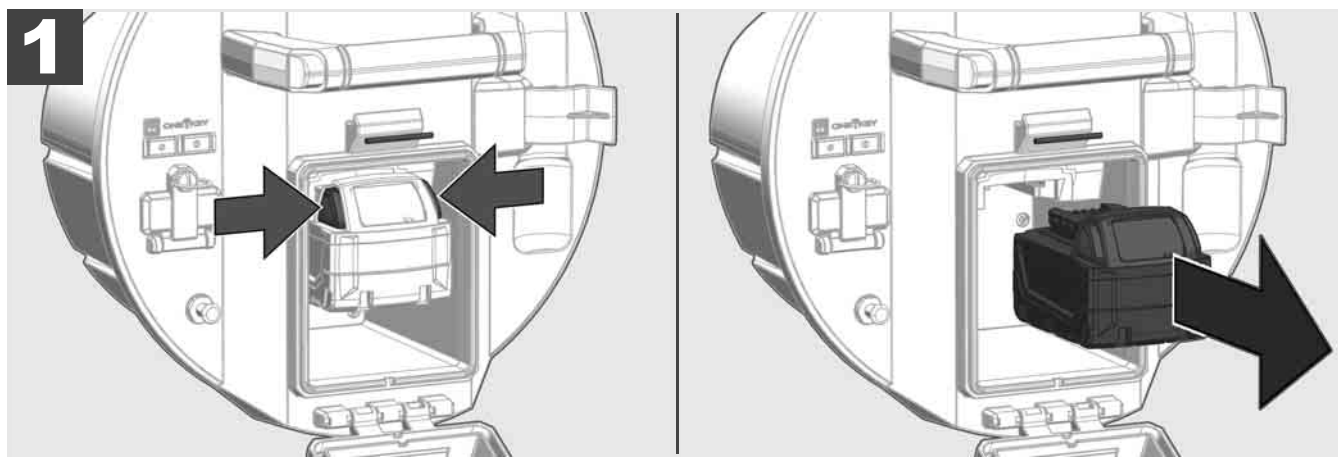
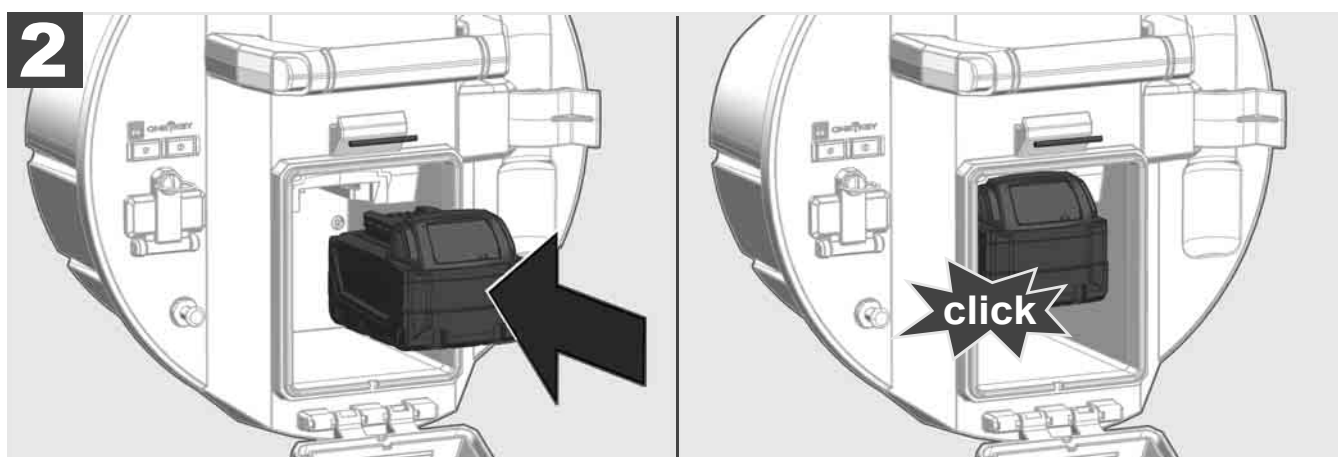
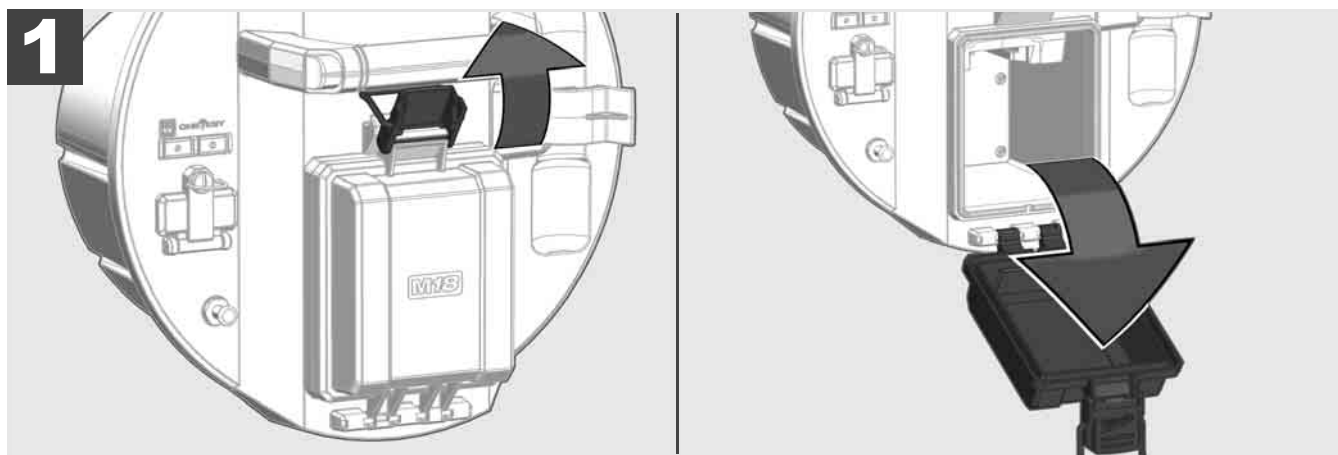
	ACHTUNG! WARNUNG! GEFAHR!
	Vor allen Arbeiten am Gerät den Akku herausnehmen.
	Bitte lesen Sie die Gebrauchsanweisung vor Inbetriebnahme sorgfältig durch.
	Schutzhandschuhe tragen!
	Beim Arbeiten mit dem Gerät stets Schutzbrille tragen.
	Elektrogeräte, Batterien/Akkus dürfen nicht zusammen mit dem Hausmüll entsorgt werden. Zu entsorgende Elektrogeräte und Akkus sind getrennt zu sammeln und zur umweltgerechten Entsorgung bei einem Verwertungsbetrieb abzugeben. Erkundigen Sie sich bei den örtlichen Behörden oder bei Ihrem Fachhändler nach Recyclinghöfen und Sammelstellen.
	Spannung
	Gleichstrom
	Europäisches Konformitätszeichen
	Britisches Konformitätszeichen
	Ukrainisches Konformitätszeichen
	Euroasiatisches Konformitätszeichen

### 2.1 Übersicht Smart Hub M18 SISH

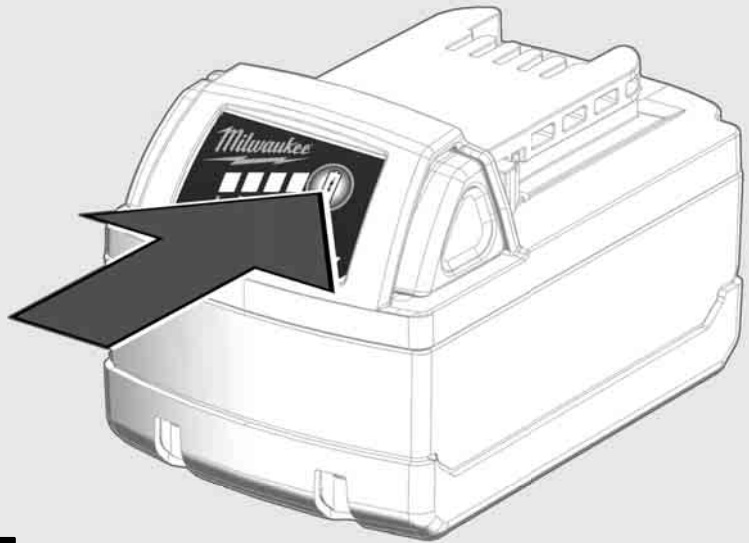


- 1 Federsicherungsclip – Zur Sicherung von Feder und Kamera während des Transports.
- 2 Federaufnahme – Hält Feder und Kamera während Transport und Aufbewahrung an Ort und Stelle.
- 3 Kabelführung – Vor dem Einrasten des Smart Hubs, die Feder und das Schiebekabel durch die Führung fädeln.
- 4 Griff
- 5 Entsperrtaste – Diese Taste drücken, um das Smart Hub von der Rohrinspektionstrommel zu lösen.
- 6 Hauptschalter – Einmal kurz drücken, um das Gerät einzuschalten; gedrückt halten, um das Gerät auszuschalten.
- 7 Taste Kabellänge zurücksetzen – Setzt die Länge des abgewickelten Kabels auf Null.
- 8 ONE-KEY-LED-Anzeige
- 9 USB-A-Port – Für das direkte Speichern von Videos und Fotos sowie für Firmware-Updates.
- 10 USB-C-Port – Optionaler Versorgungs- und Datenanschluss zur Verbindung des drahtlosen Monitors M18 SIM mit dem Smart Hub.
- 11 USB-Anschlussabdeckung – Wasserdichte Abdeckung, die die USB-Anschlüsse vor Staub und Feuchtigkeit schützt.
- 12 Erdungsstab – Zur Erdung des Smart Hubs beim Verfolgen des Schiebekabels.
- 13 Akkuabdeckung – Wasserdichte Abdeckung, die den Akku vor Staub und Feuchtigkeit schützt.
- 14 Akkufach – Für M18™ Akku
- 15 Anschluss für die Verbindung von Smart Hub und Rohrinspektionstrommel.
- 16 Kamera-Testanschluss – Zur Fehlerbehebung bei Problemen mit dem Kamerakopf

## 2.2 Akku einsetzen und entnehmen



## 2.3 Akkuladestatus überprüfen



78-100 %



55-77 %



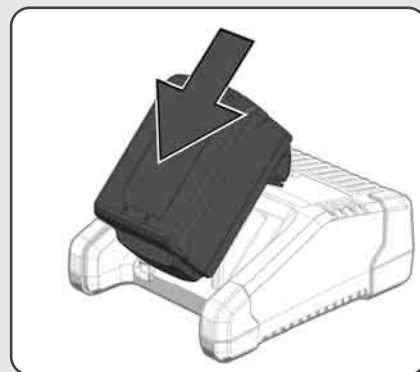
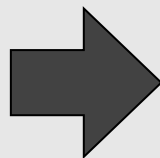
33-54 %

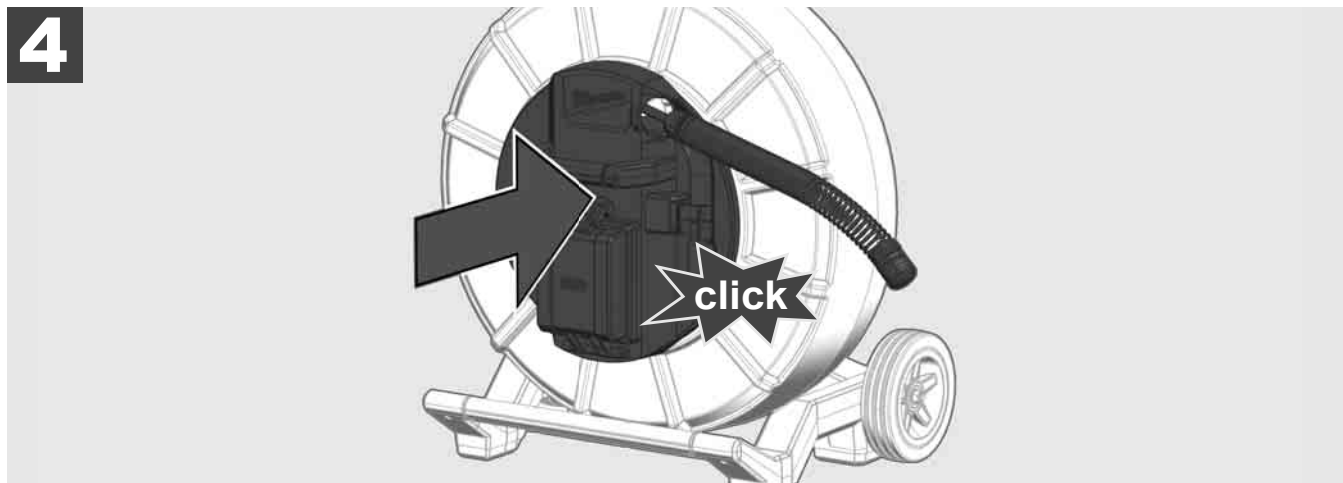
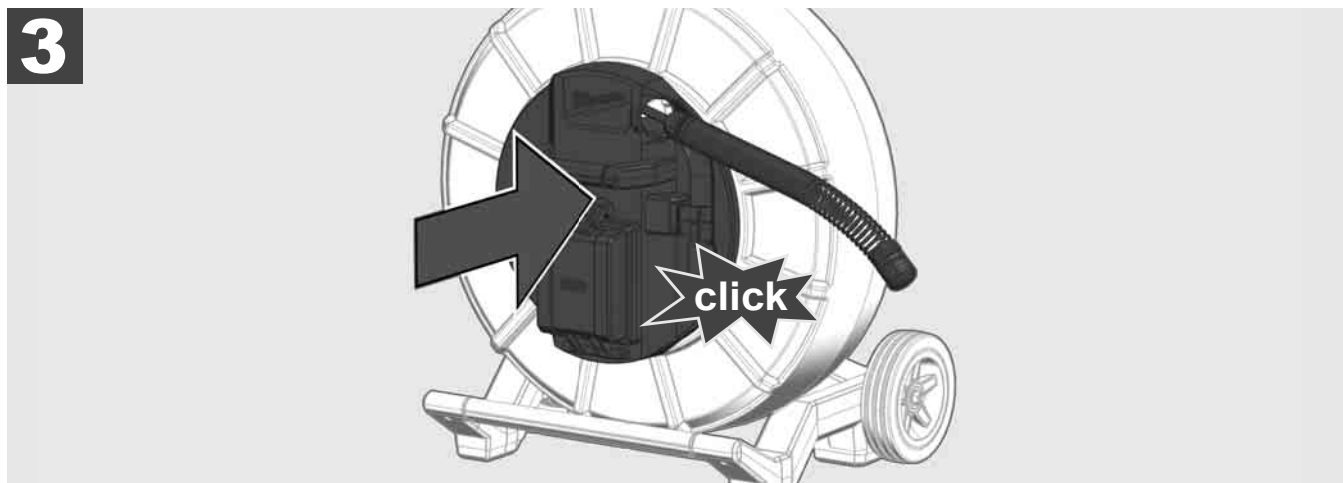
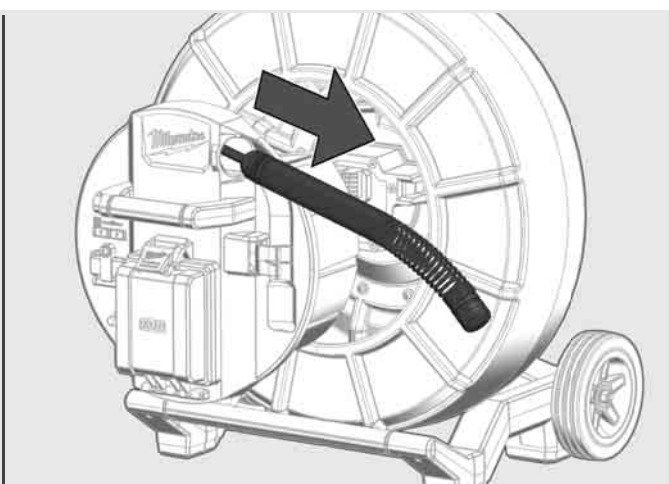
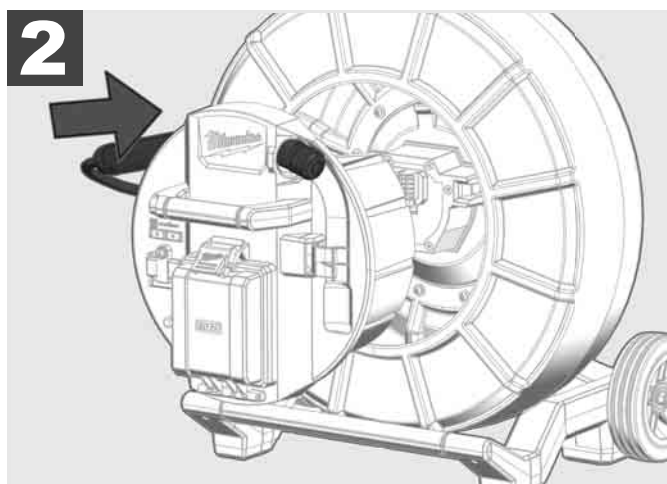
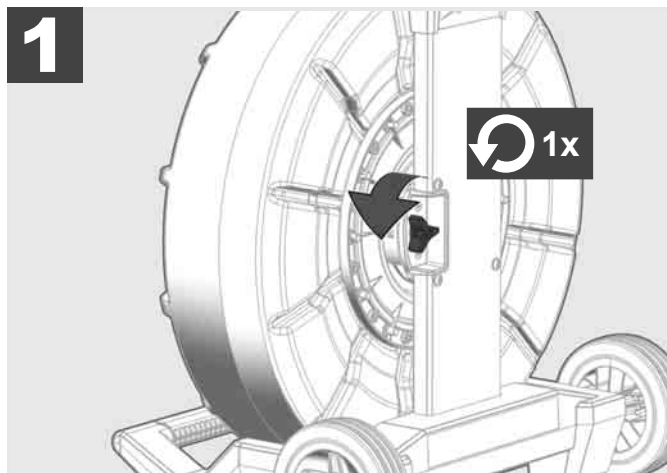


10-32 %



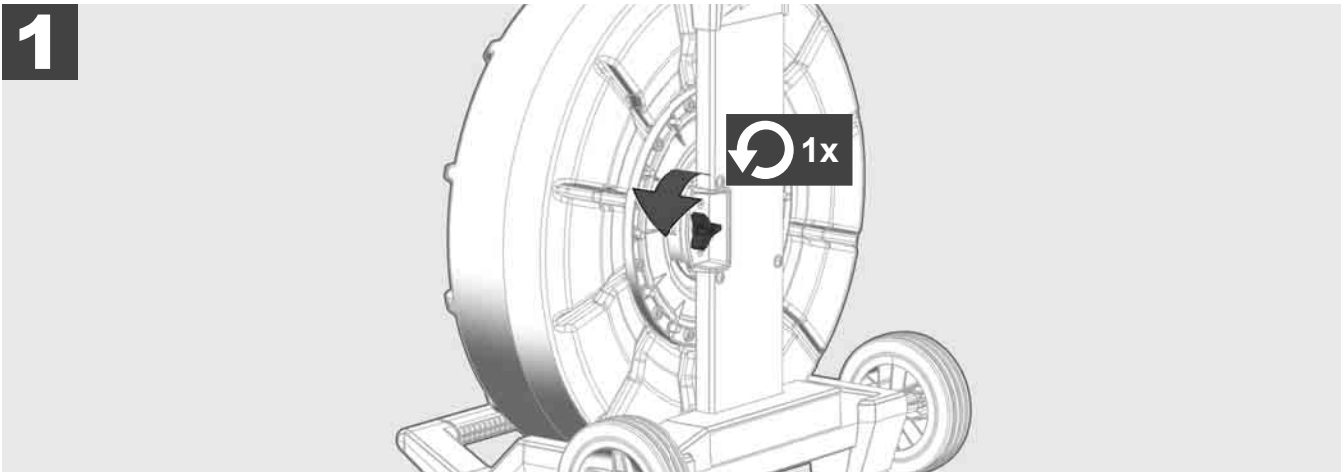
< 10 %



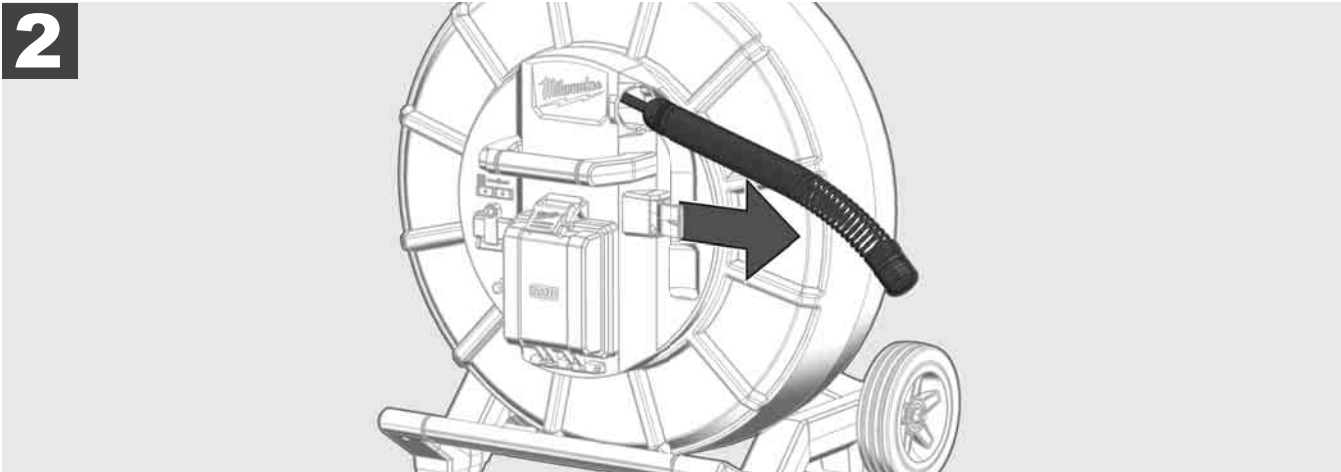




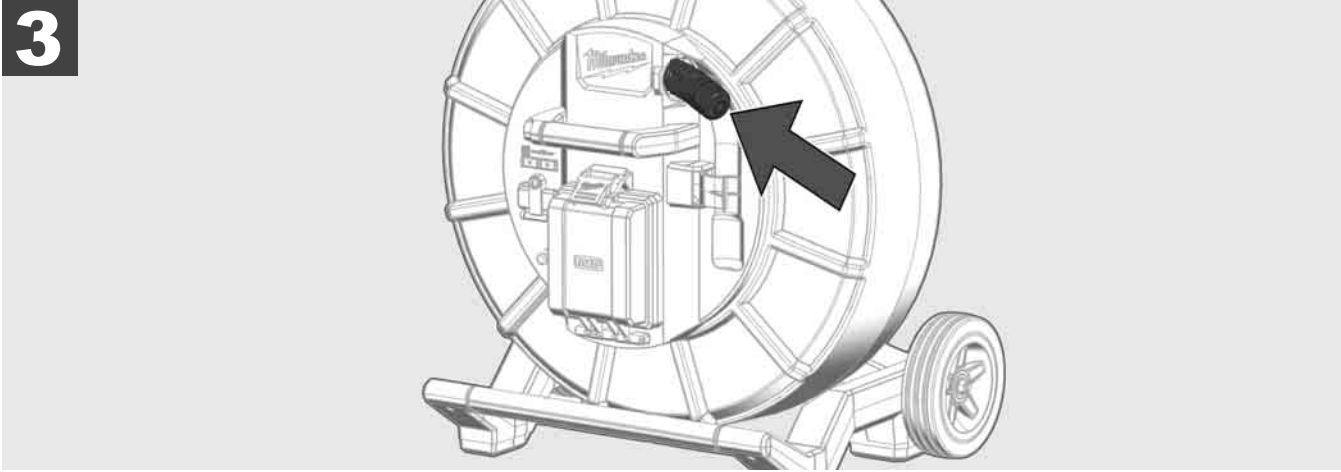
**1**



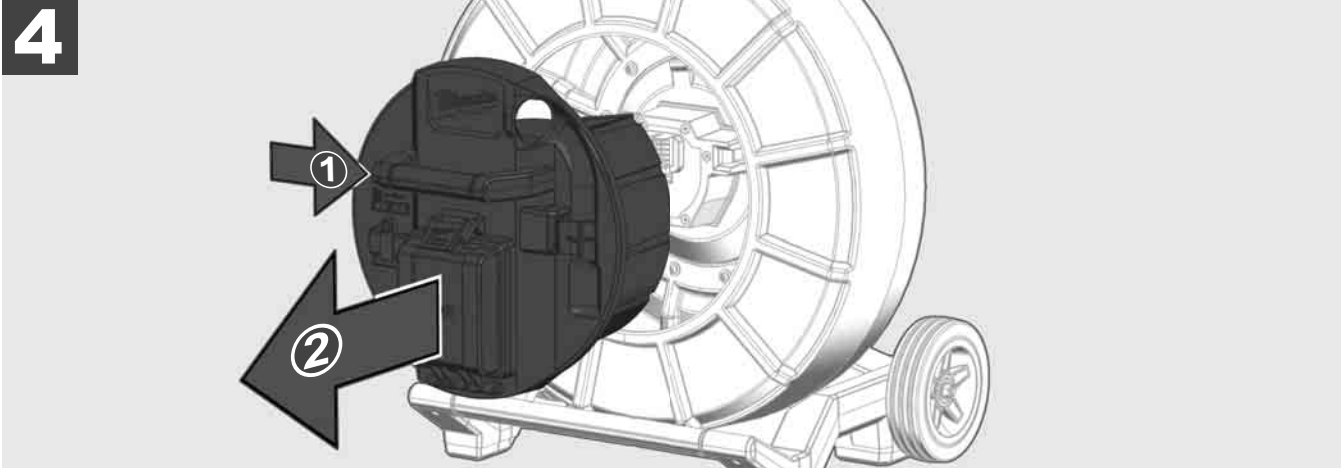
**2**



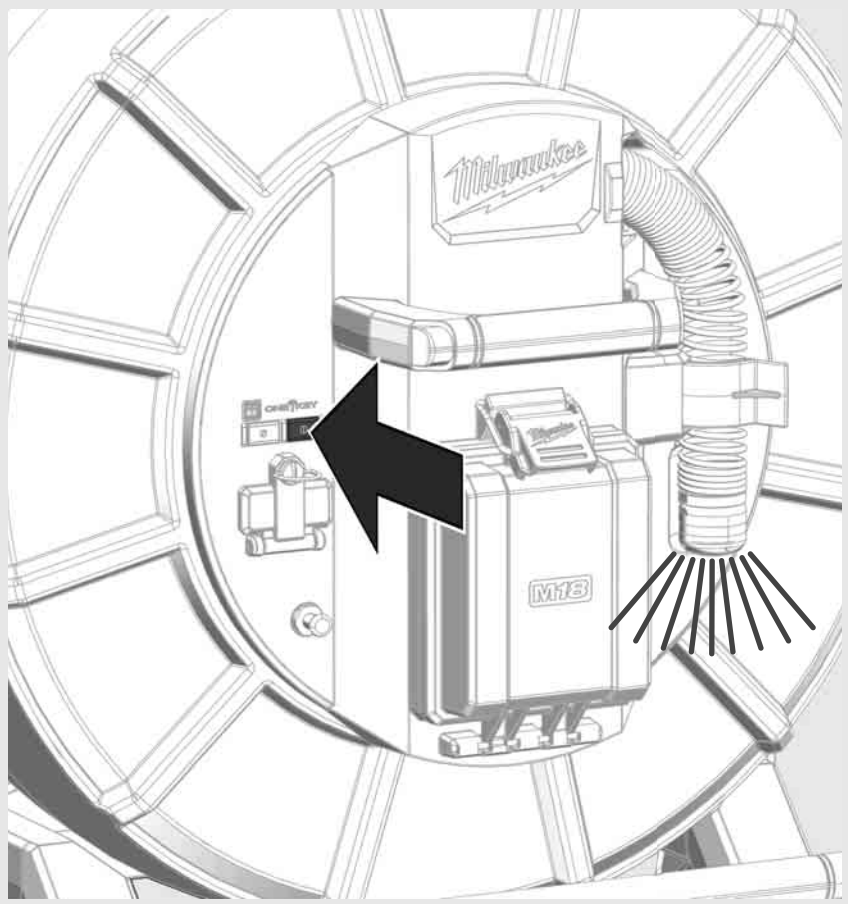
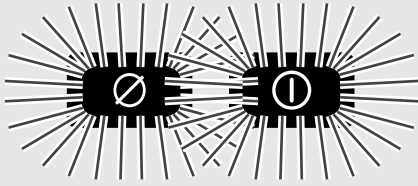
**3**



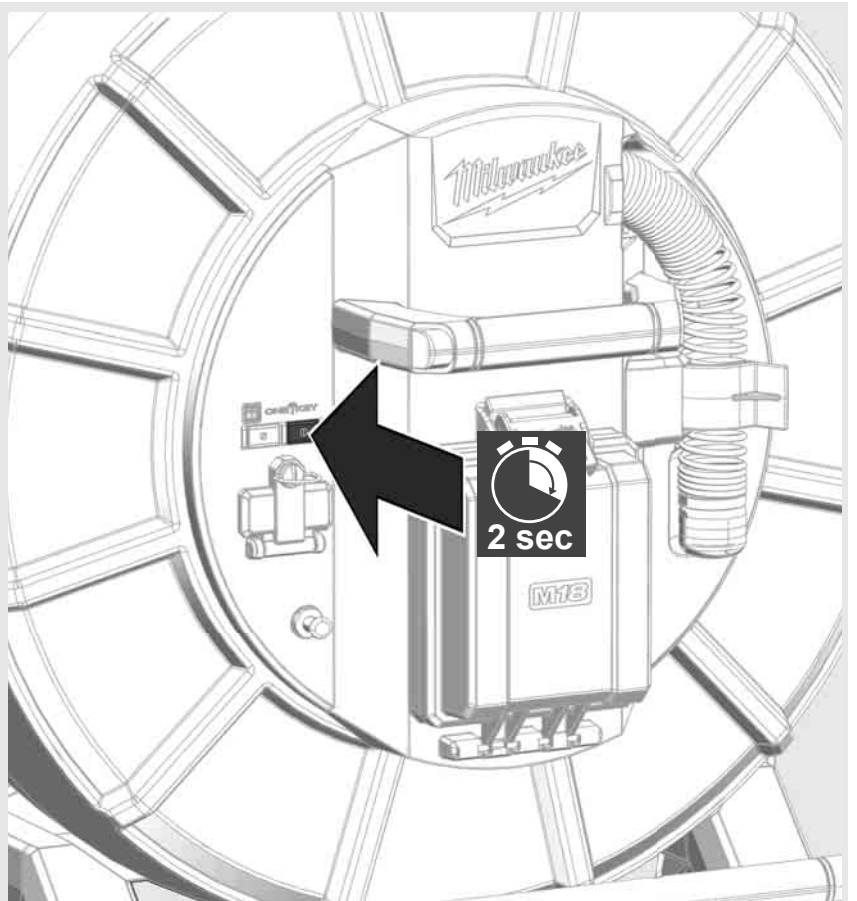
**4**



# ON



# OFF





## 2.7 Monitor anschließen

Um die Einstellungen des ROHRINSPEKTIONSSYSTEMS zu ändern, dessen Funktionen zu steuern und die mit der Kamera aufgenommenen Bilder und Videos anzuzeigen, wird ein externes Anzeigegerät benötigt.

Das externe Anzeigegerät ist nicht im Lieferumfang des ROHRINSPEKTIONSSYSTEMS enthalten und muss separat gekauft werden.

Folgende Optionen stehen zur Verfügung:

- MILWAUKEE DRAHTLOSER MONITOR M18 SIM
- Tablet oder Smartphone mit der MILWAUKEE ROHRINSPEKTIONS-APP

Der DRAHTLOSE MONITOR wird per WLAN oder USB-C-Port an das ROHRINSPEKTIONSSYSTEM angeschlossen und ist sofort einsatzbereit. Bei Verwendung eines Tablets oder Smartphones zuerst die MILWAUKEE ROHRINSPEKTIONS-APP auf dem betreffenden Gerät installieren.

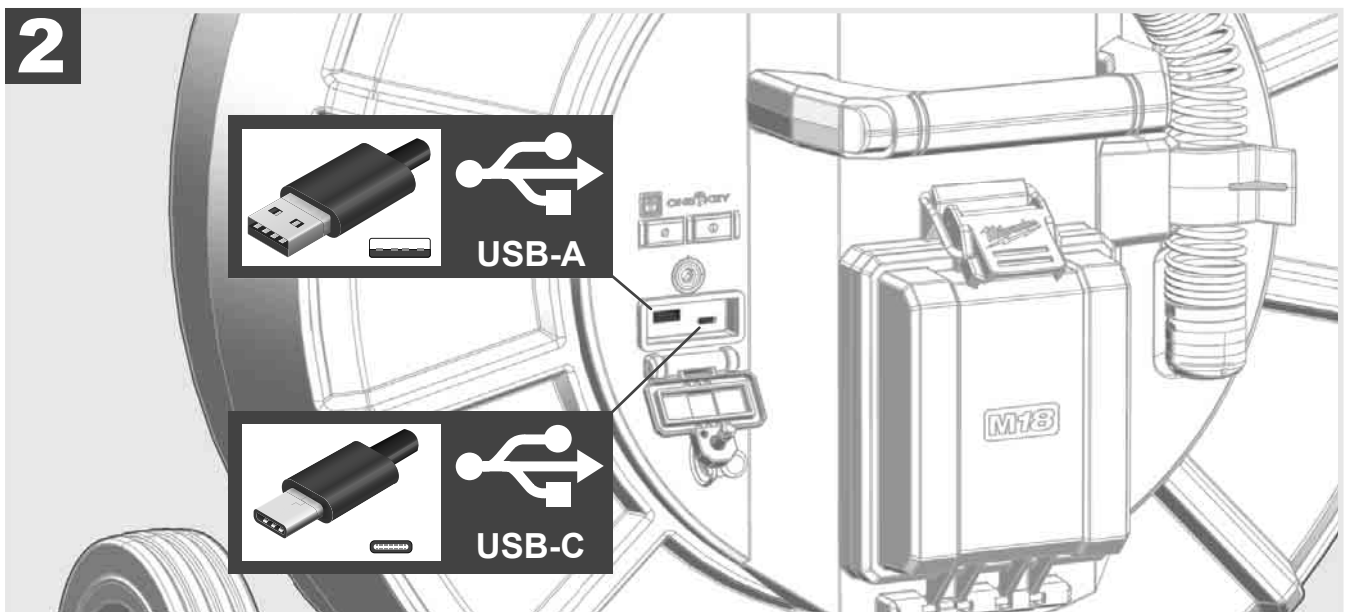
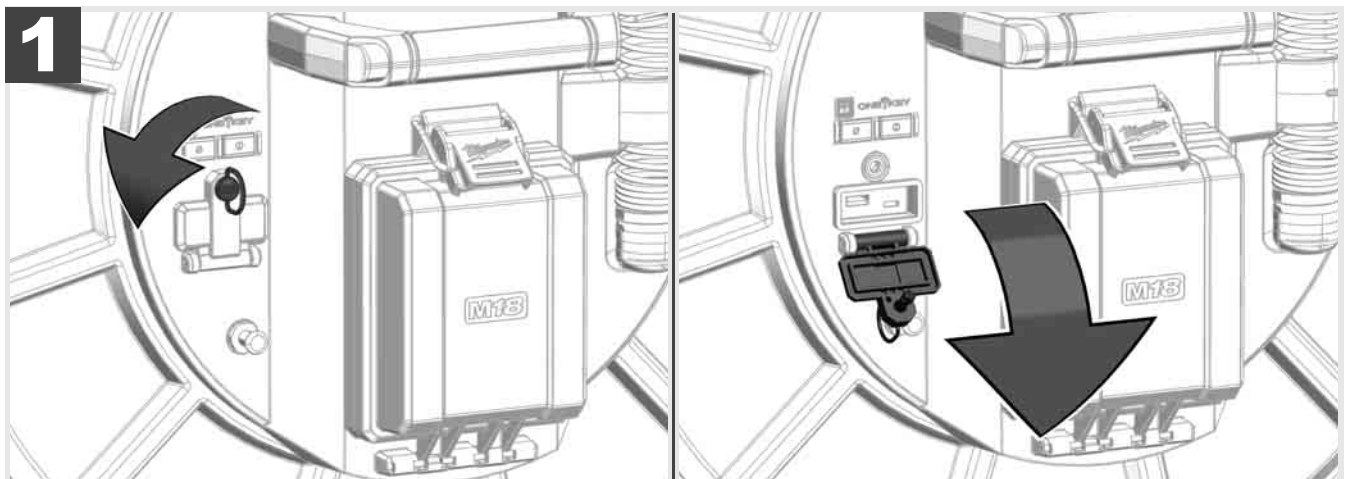
### **ERSTMALIGER GEBRAUCH MIT DRAHTLOSEM MONITOR M18 SIM:**

1. Das SMART HUB und den DRAHTLOSEN MONITOR einschalten.
2. Der DRAHTLOSE MONITOR verbindet sich innerhalb von 25 Sekunden automatisch mit dem SMART HUB.

\*Für eine Kabelverbindung den Monitor über das USB-C-Kabel an den Smart Hub anschließen.

### **ERSTMALIGER GEBRAUCH MIT SMARTPHONE ODER TABLET:**

1. Die MILWAUKEE ROHRINSPEKTIONS-APP herunterladen und installieren.
2. Das SMART HUB und das Anzeigegerät einschalten.
3. Die Option Einstellungen > WLAN auswählen.
4. Die Option MTCAM\_[LAST 9 DIGITS OF HUB SERIAL #] auswählen.
5. Passwort eingeben: 29702000
6. Die MILWAUKEE ROHRINSPEKTIONS-APP starten.

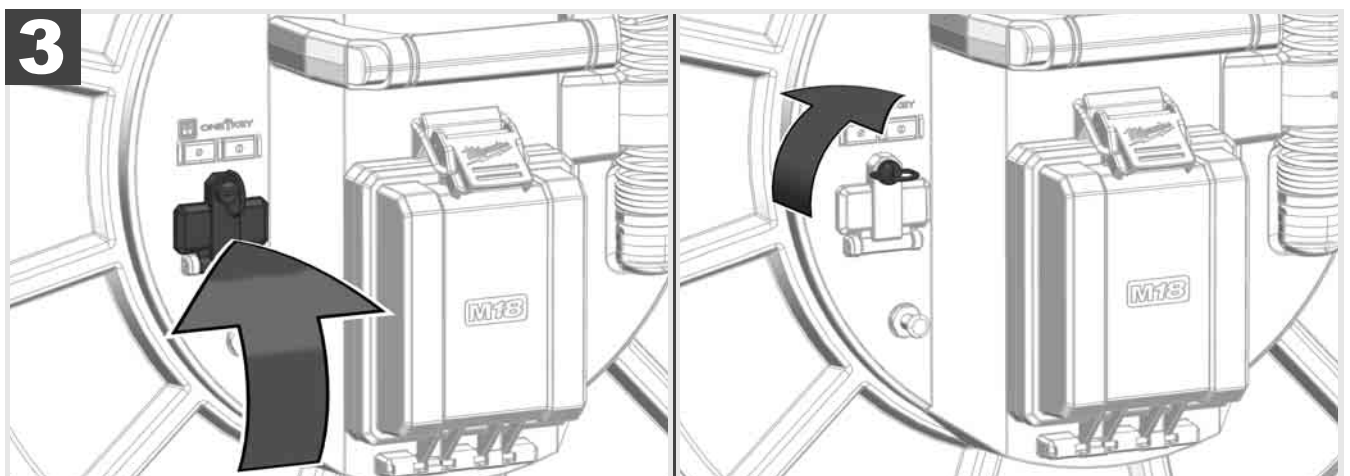


### USB-A

- Port für den normalen Gebrauch. Gestattet die direkte Aufzeichnung von Video- und Bilddateien bzw. deren Übertragung vom internen Smart Hub-Laufwerk.
- Ermöglicht die Durchführung von Firmware-Updates auf dem Smart Hub.

### USB-C

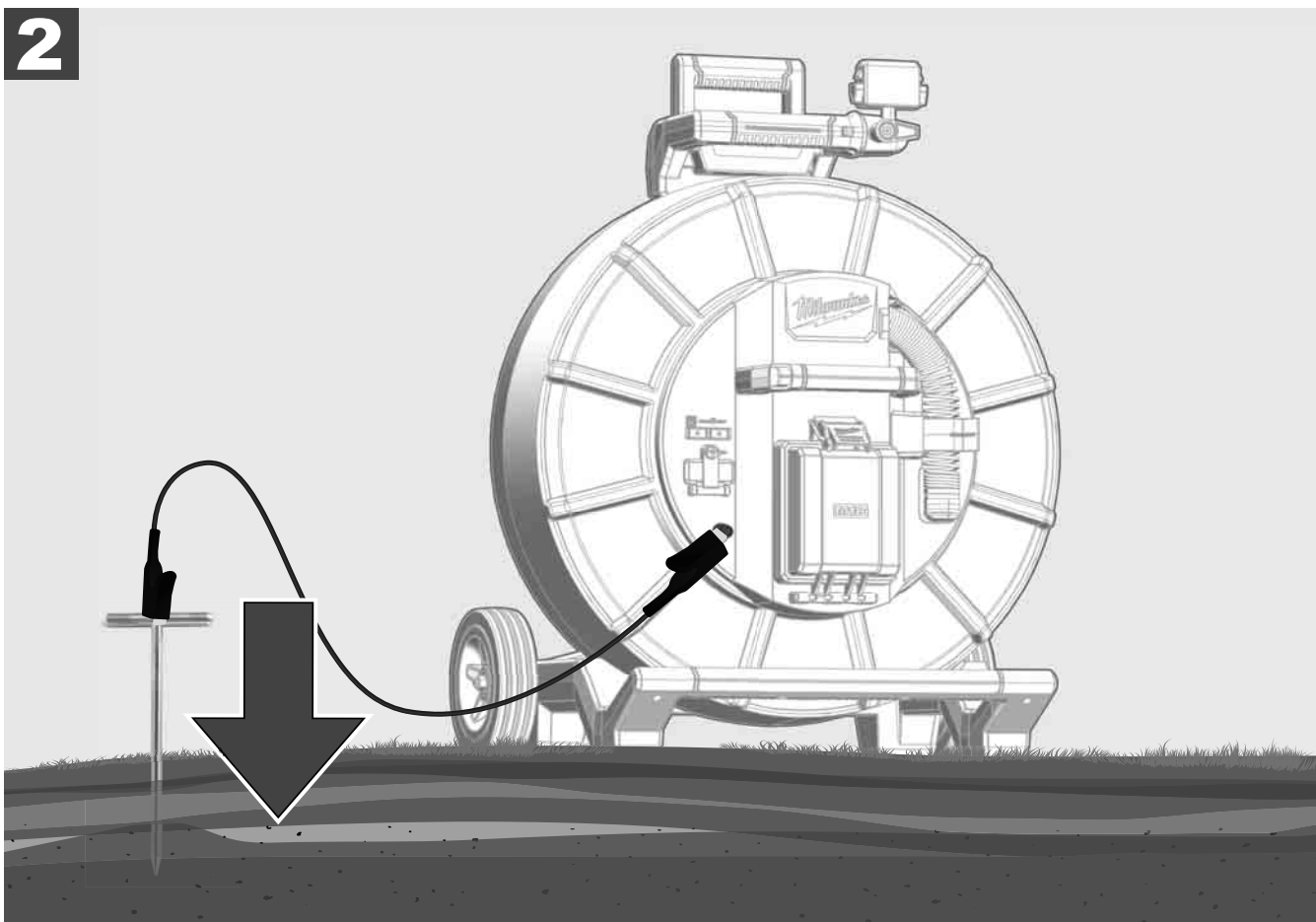
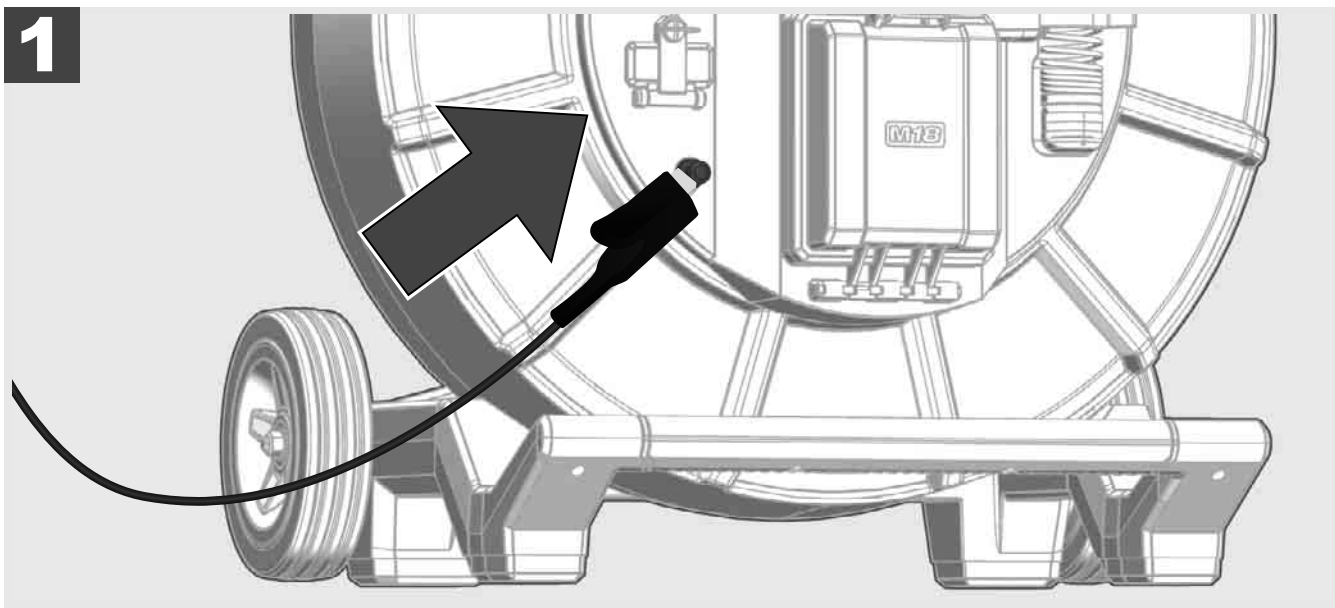
- Ermöglicht die Verbindung zwischen drahtlosem Monitor M18 SIM und Smart Hub ohne WLAN-Verbindung. Stromversorgung des Smart Hubs über den drahtlosen Monitor M18 SIM oder umgekehrt, wenn der Akku nicht geladen ist.



## 2.9 Erdungsstab



Der Erdungsstab muss immer dann verwendet werden, wenn das Schiebekabel über die Funktion KABELVERFOLGUNG verfolgt wird. Das Smart Hub muss geerdet werden, damit die Stromschleife geschlossen ist und ein gutes Ortungssignal gesendet wird. Das mitgelieferte Erdungskabel samt Erdungsstab zur Erdung des Smart Hubs verwenden.

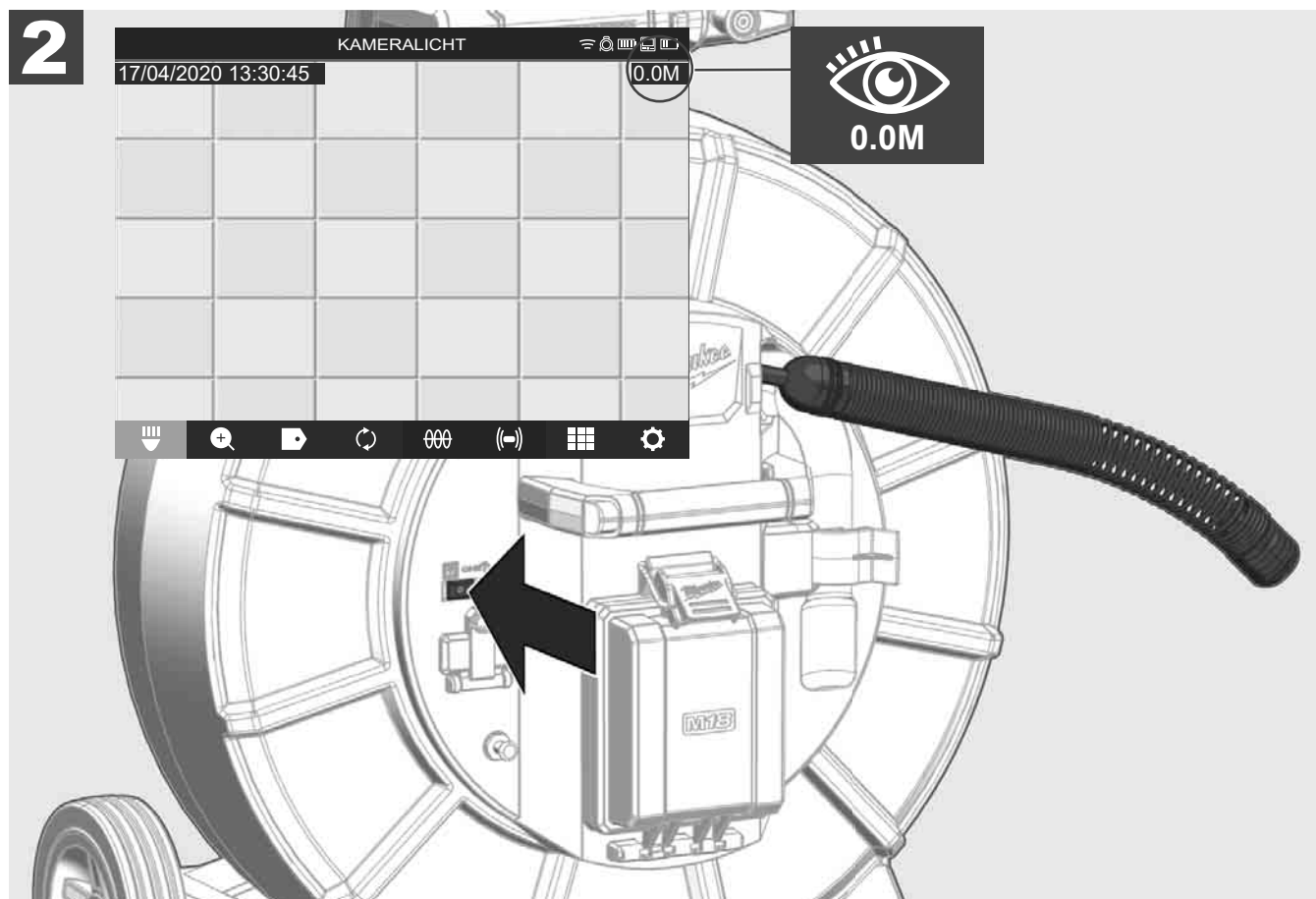
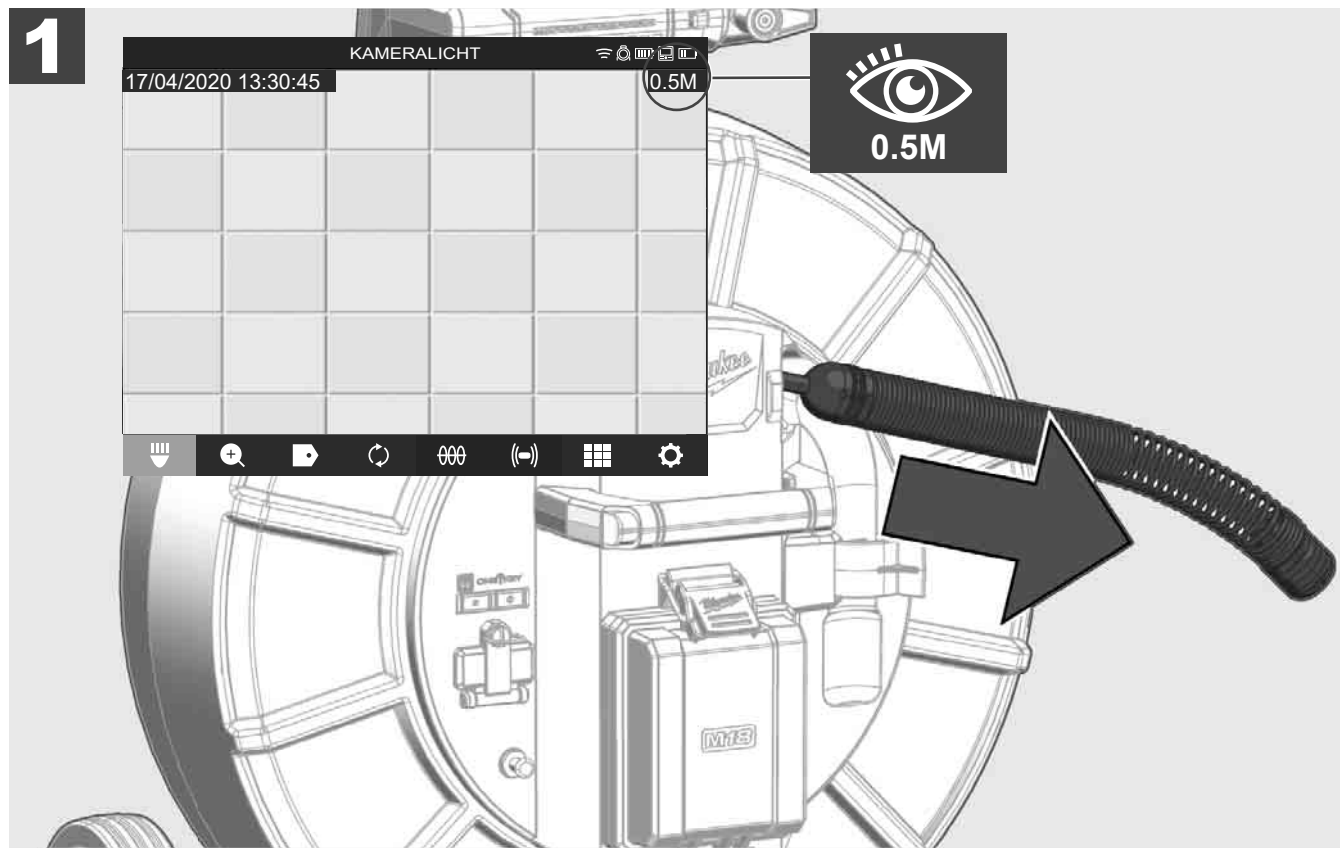


## 2.10 Längenzähler zurücksetzen



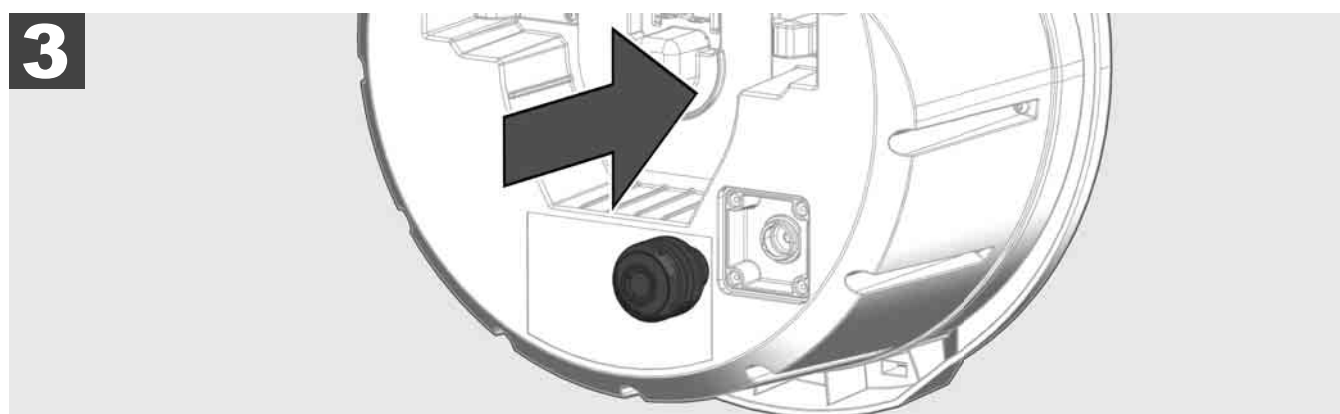
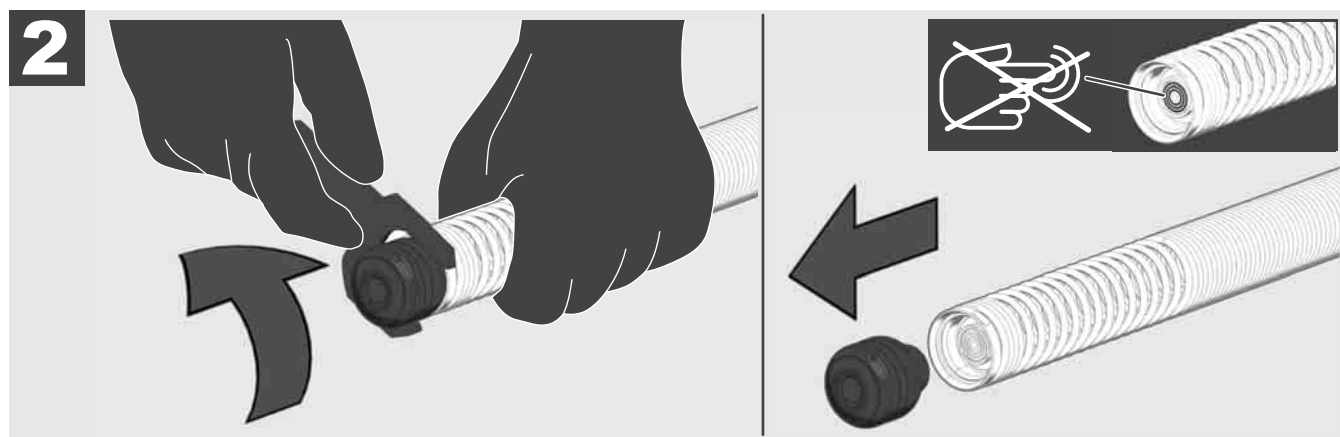
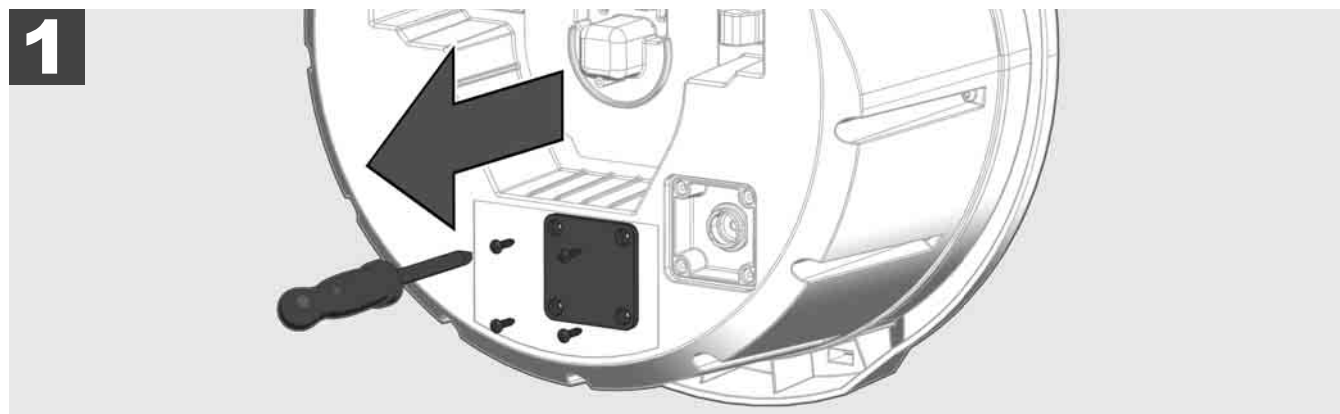
Beim Abwickeln der ROHRINSPEKTIONSTROMMEL wird die Länge des abgewickelten Kabels auf der Statusleiste des drahtlosen Monitors M18 SIM angezeigt.

Um die Anzeige zurückzusetzen, die Taste  drücken.



## 2.11 Kamera-Testanschluss

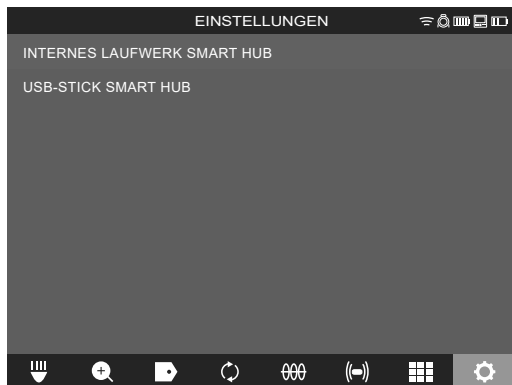
Sollte es Probleme mit dem Kamerakopf geben, kann die Kamera über den Testanschluss überprüft werden.



## 2.12 Internes Laufwerk und USB-Stick formatieren

Mit dieser Funktion können Sie das interne 500-GB-Laufwerk des Smart Hubs oder den USB-Stick formatieren. USB-Sticks müssen im FAT32-Format formatiert werden.

1. Wählen Sie **EINSTELLUNGEN**  → **SPEICHER FORMATIEREN**
2. Den Speicher auswählen.



3. Die Meldung auf dem Bildschirm bestätigen.



Das gewählte Laufwerk wird formatiert und das System kehrt zum Menü **EINSTELLUNGEN** zurück.

## 2.13 Werkseinstellungen

Die Anwahl der Funktion Werkseinstellungen setzt das Smart Hub M18 SISH auf die im Werk eingestellten Werte zurück.

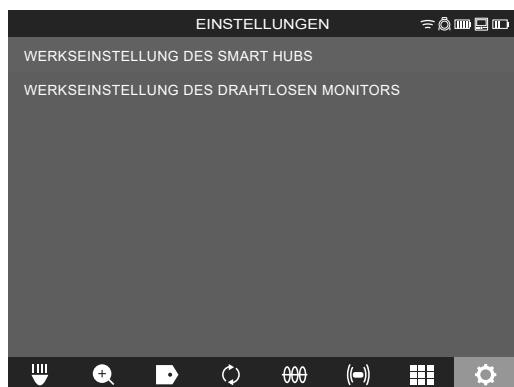
Folgende Einstellungen des Smart Hubs M18 SISH werden zurückgesetzt:

- KENNZEICHNUNGEN werden gelöscht.
- VIDEO- und BILD-Einstellungen werden auf 1080 P zurückgesetzt.
- Der FIRMENNAME wird gelöscht.
- Die SONDENFREQUENZ wird auf die Werkseinstellung zurückgesetzt.
- Die KABELVERFOLGUNG wird auf die Werkseinstellung zurückgesetzt.
- Die BILDSCHIRM-EINSTELLUNGEN werden auf die Werkseinstellung zurückgesetzt: Farbton, Helligkeit, Kontrast, Sättigung.
- MESSEINHEITEN

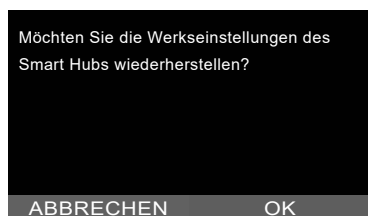
1. Wählen Sie **EINSTELLUNGEN**  → **WERKSEINSTELLUNGEN**



2. Wählen Sie **WERKSEINSTELLUNGEN** Smart Hub M18 SISH.



3. Lesen und bestätigen Sie die Reset-Meldung mit OK.



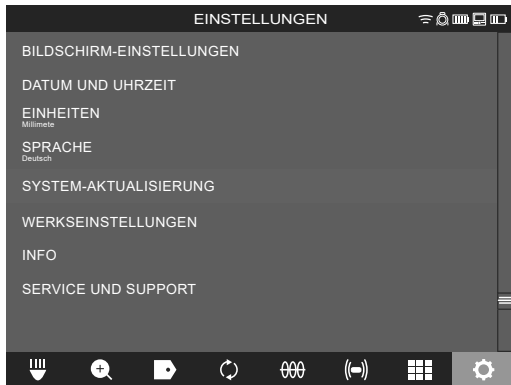
Die Rücksetzung auf die Werkseinstellungen ist abgeschlossen und das System kehrt zum Untermenü **WERKSEINSTELLUNGEN** zurück.

## 2.14 System-Update

Vor dem System-Update das Menü **EINSTELLUNGEN** → **INFO** öffnen und die aktuelle Firmware-Version notieren.

Firmware-Updates können entweder über den drahtlosen Monitor M18 SIM oder mit einem Tablet mit der Milwaukee® Rohrinspektions-App durchgeführt werden.

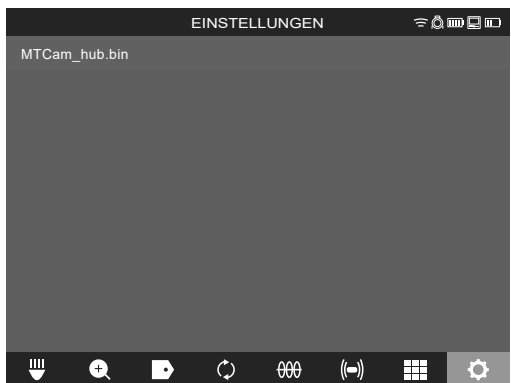
1. Das Smart Hub M18 SISH und den drahtlosen Monitor M18SIM oder das Tablet mit der Milwaukee® Rohrinspektions-App einschalten.
2. Sicherstellen, dass der drahtlose Monitor M18 SIM bzw. das Tablet über WLAN mit dem Smart Hub M18 SISH verbunden ist. Wenn keine WLAN-Verbindung besteht, diese zuerst herstellen.
3. Den USB-Stick mit dem Firmware-Update in den USB-A-Port des Smart Hubs M18 SISH einstecken.
4. Wählen Sie **EINSTELLUNGEN** ⚙️ → **SYSTEM-UPDATE**



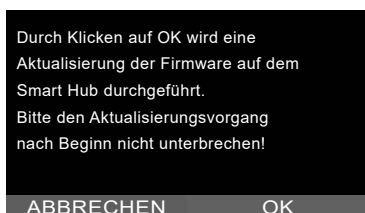
5. Wählen Sie Smart Hub M18 SISH.



6. Der Dateiname des Updates wird auf dem Bildschirm angezeigt. **DATEINAME** auswählen, um das Update zu starten.

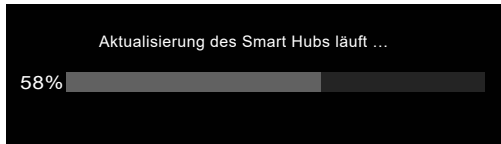


7. Lesen und bestätigen Sie die Warnmeldung mit OK.





8. Auf einem Fortschrittsbalken wird der Verlauf des Updates angezeigt.



9. Am Ende des Updates wird eine Meldung eingeblendet, die bestätigt werden muss. Wählen Sie OK, um das System neu zu starten.



10. Wählen Sie **EINSTELLUNGEN** → **INFO**, um zu prüfen, ob die Firmware-Version aktualisiert wurde.

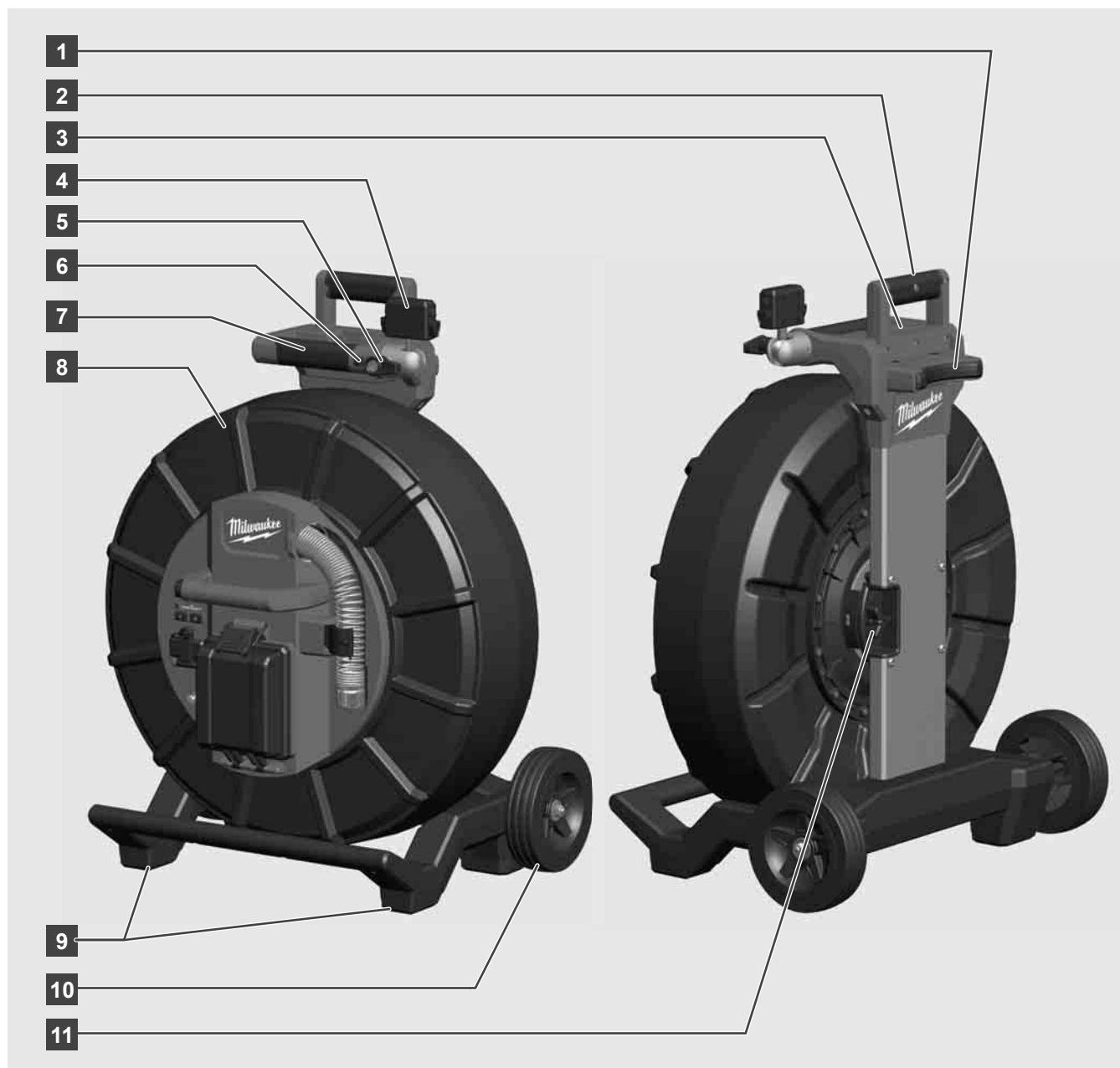
## 3 ROHRINSPEKTIONSTROMMELN

### 3.1 Übersicht Rohrinspektionstrommel M18 SIC36



- 1 Stellfuß für horizontale Nutzung
- 2 Drahtloser Monitor M18 SIM – Tablet-Halterung und Anschluss
- 3 Drahtloser Monitor M18 SIM – Drehretrierung
- 4 Drahtloser Monitor M18 SIM – Kipparretierung
- 5 Griff
- 6 Kabeltrommel mit Schiebekabel
- 7 Stellfuß für vertikale Nutzung
- 8 Kabeltrommelbremse
- 9 Stellfuß für horizontale Nutzung
- 10 Tragevorrichtung

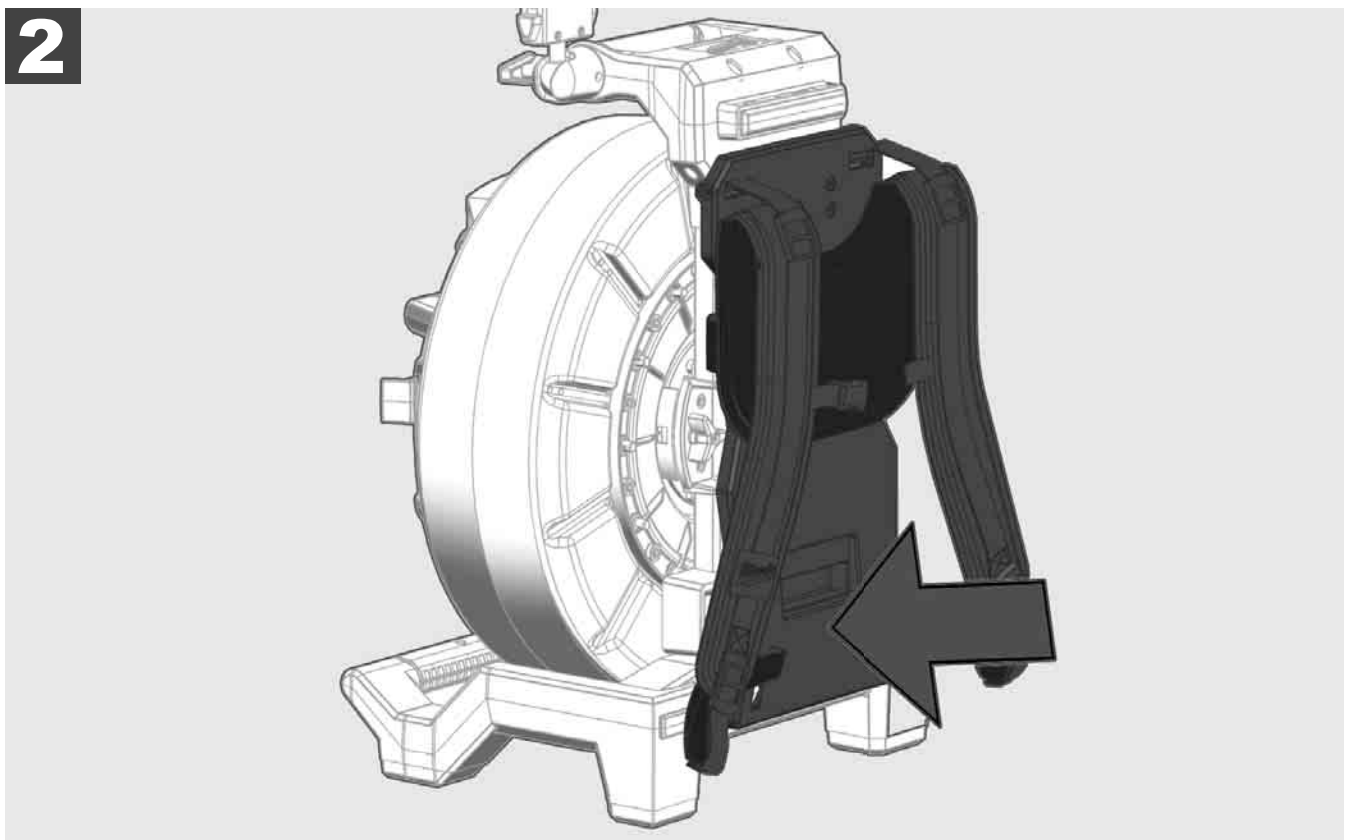
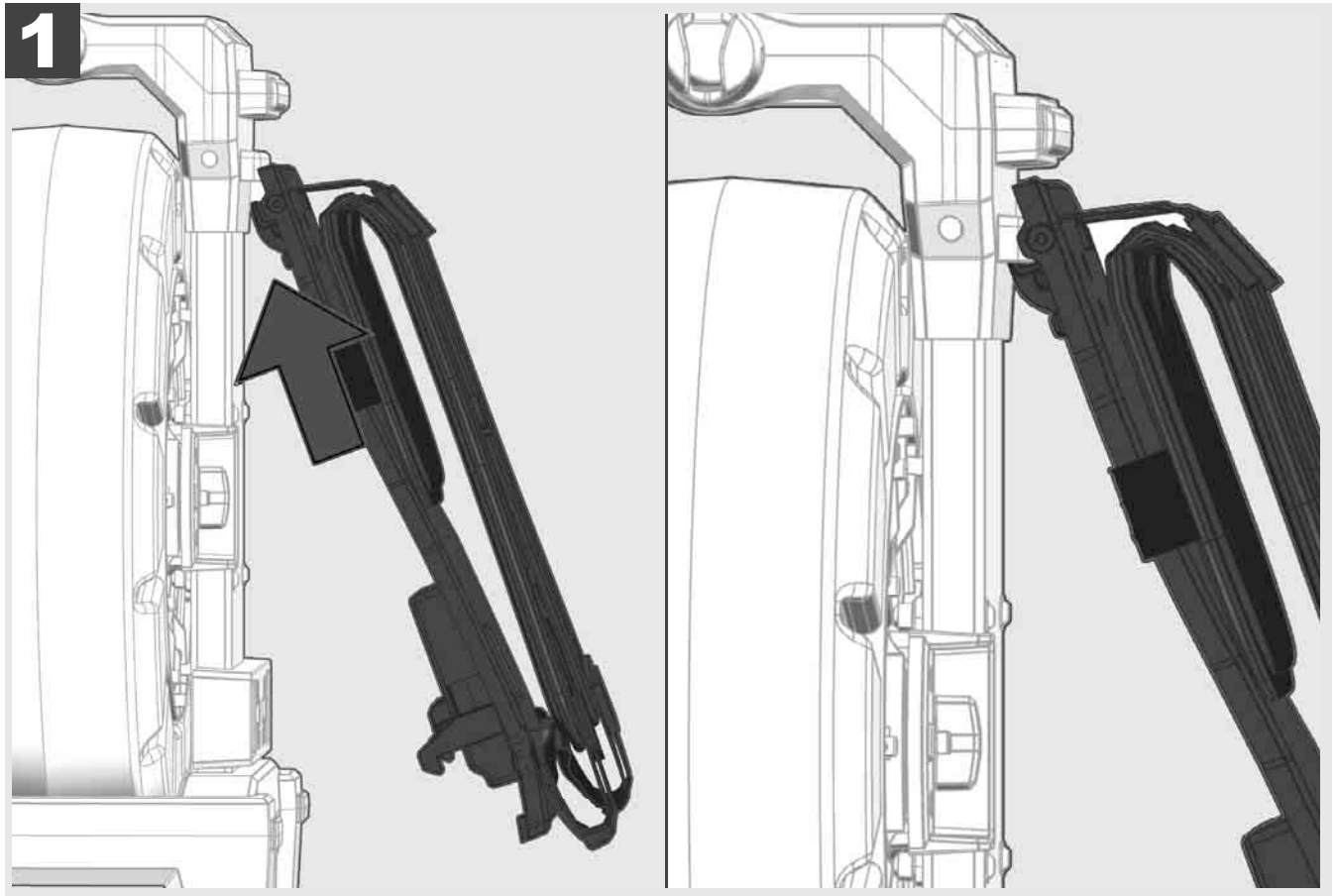
## 3.2 Übersicht Rohrinspektionstrommel M18 SIC60



- 1 Stellfuß für horizontale Nutzung
- 2 Ausziehbarer Griff (in eingeschobener Position)
- 3 Taste zum Sperren und Entsperren des ausziehbaren Griffs
- 4 Drahtloser Monitor M18 SIM – Halterung / Tablet-Halterung und Anschluss
- 5 Drahtloser Monitor M18 SIM – Drehsicherung
- 6 Drahtloser Monitor M18 SIM – Kippsicherung
- 7 Griff
- 8 Kabeltrommel mit Schiebekabel
- 9 Stellfuß für vertikale Nutzung
- 10 Räder
- 11 Kabeltrommelbremse

### 3.3 Tragevorrichtung installieren

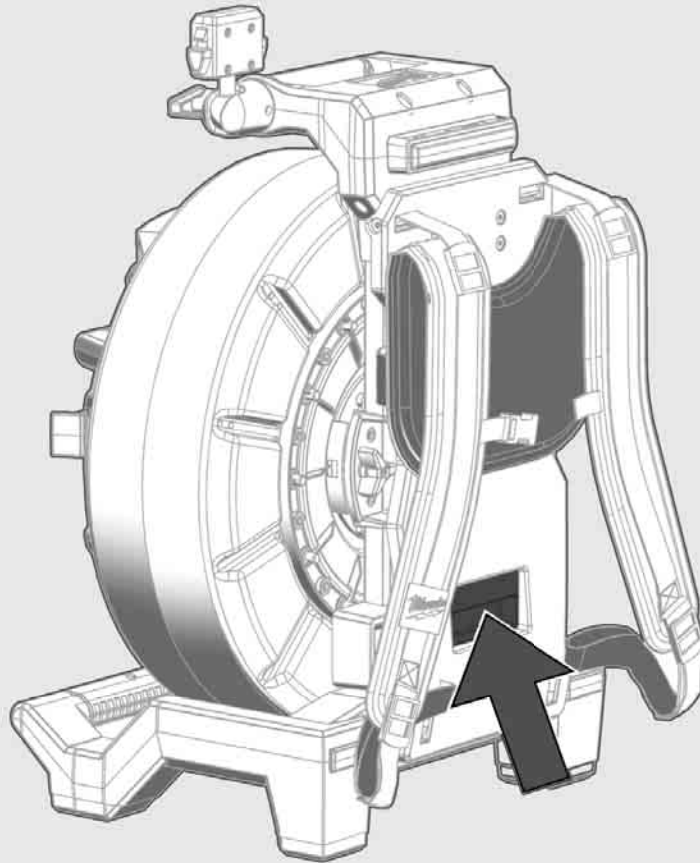
Die ROHRINSPEKTIONSTROMMEL M18 SIC36 ist mit einer Tragevorrichtung ausgestattet, mit der die Trommel wie ein Rucksack auf dem Rücken getragen werden kann. Damit lässt sich die kleine Trommel bequem zum Einsatzort transportieren, was vor allem beim Treppensteigen oder beim Einsatz von Leitern praktisch ist.



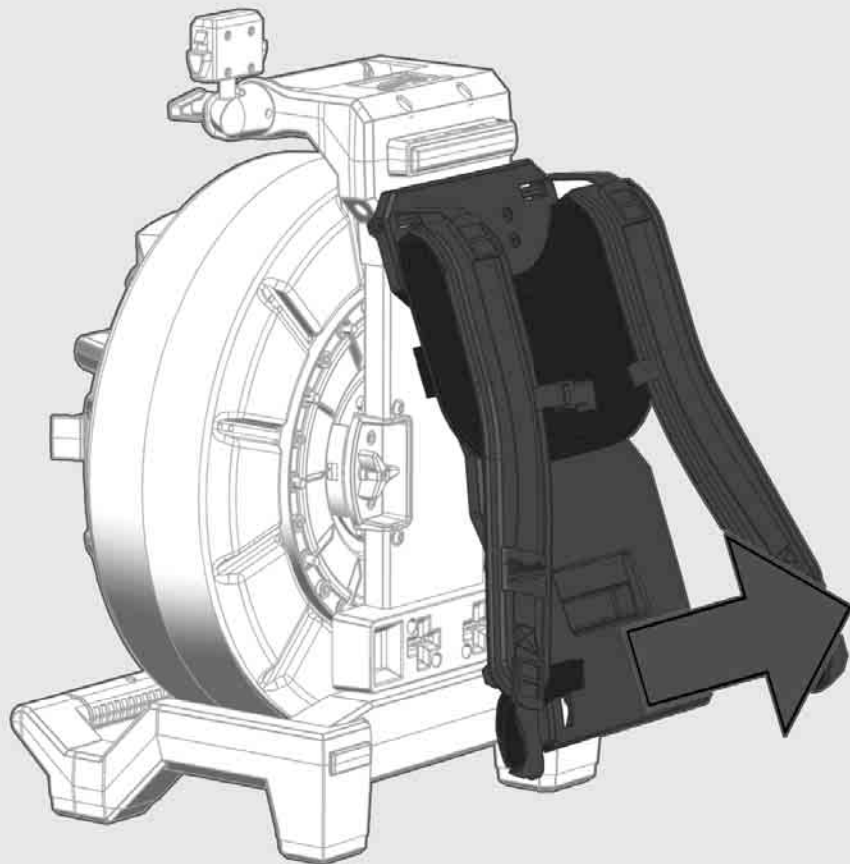
Die Tragevorrichtung oben einhängen und mit dem Handballen gegen die Unterseite drücken, bis die Tragevorrichtung einrastet. Kurz an der Tragevorrichtung ziehen, um sicherzustellen, dass sie eingerastet ist.



**1**

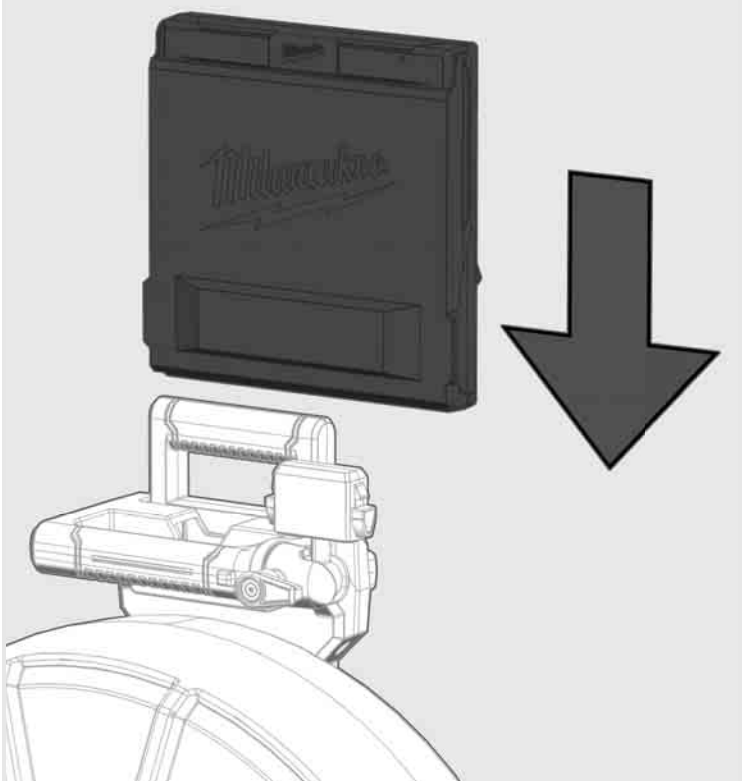


**2**

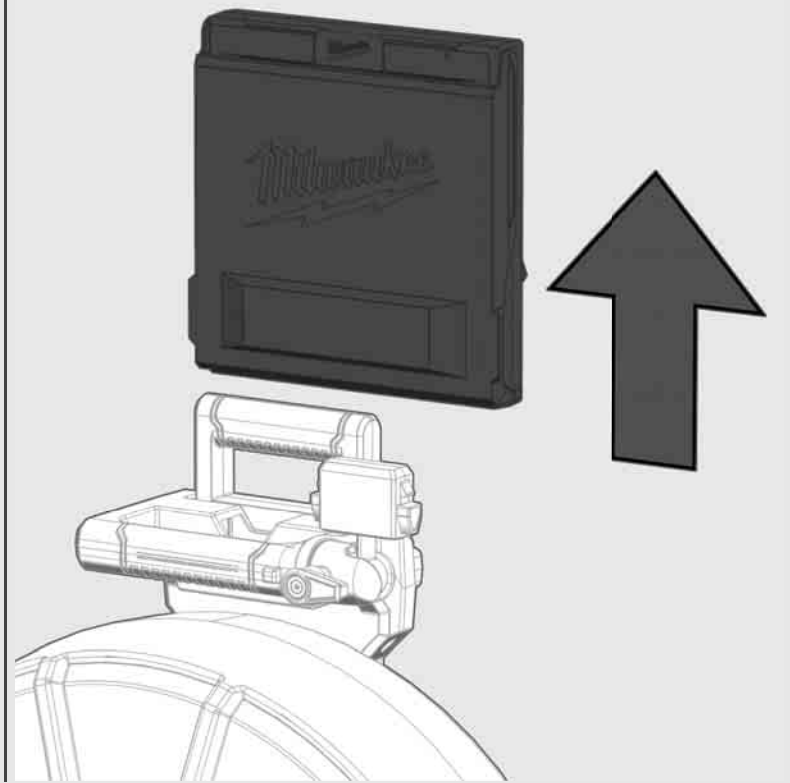
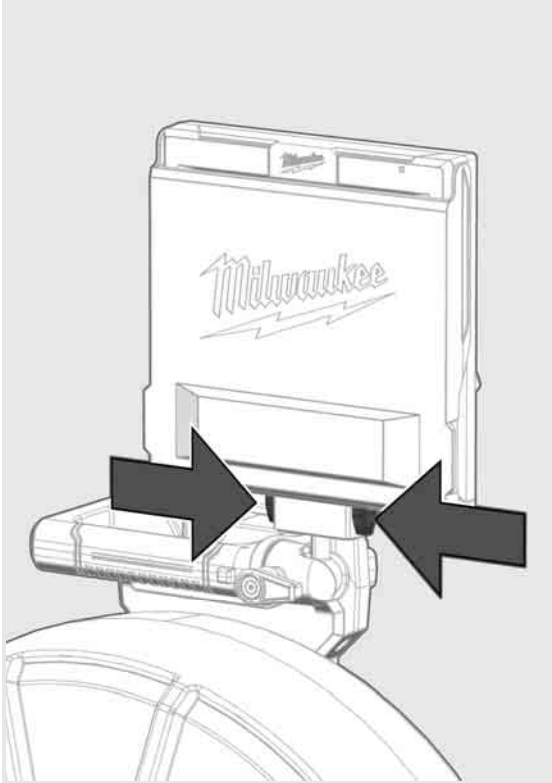


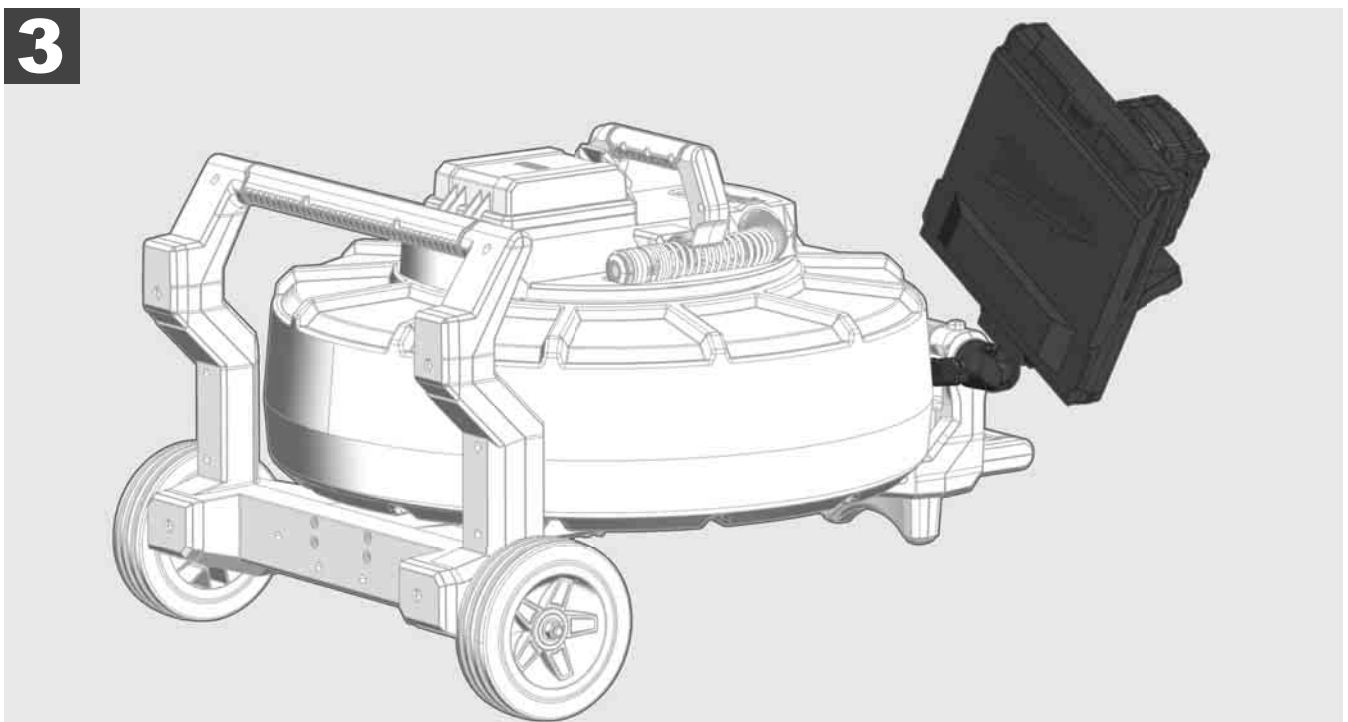
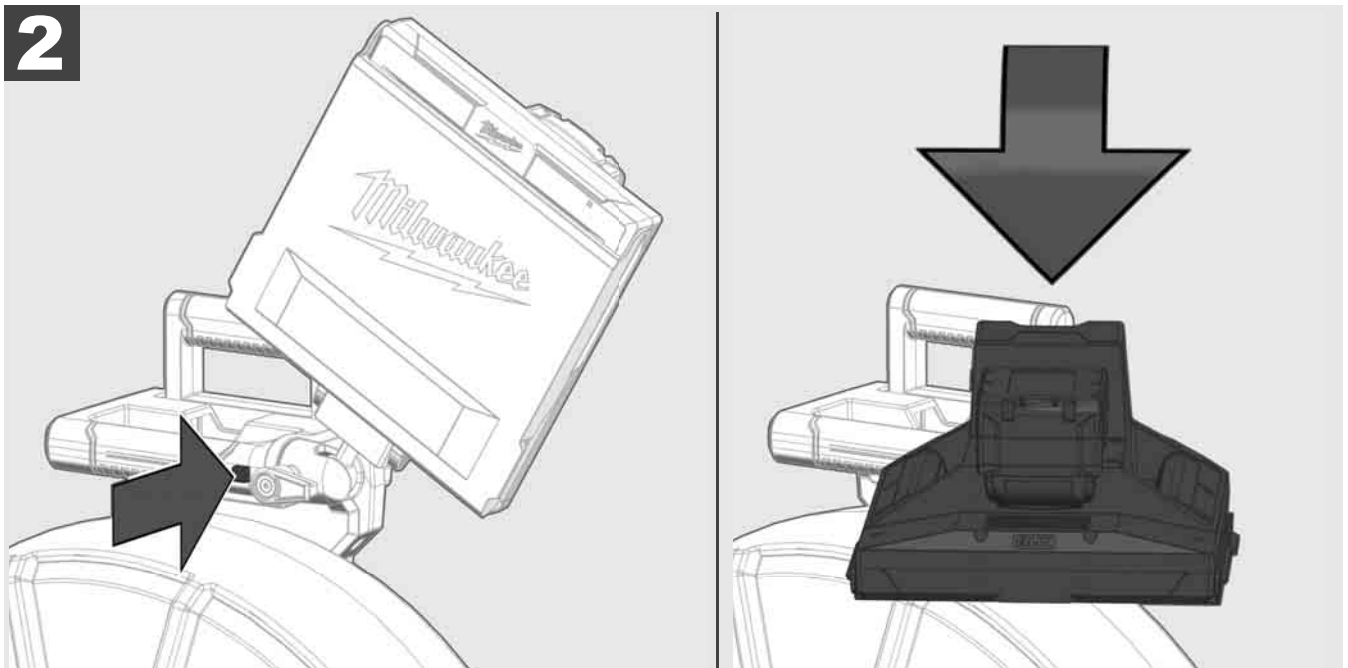
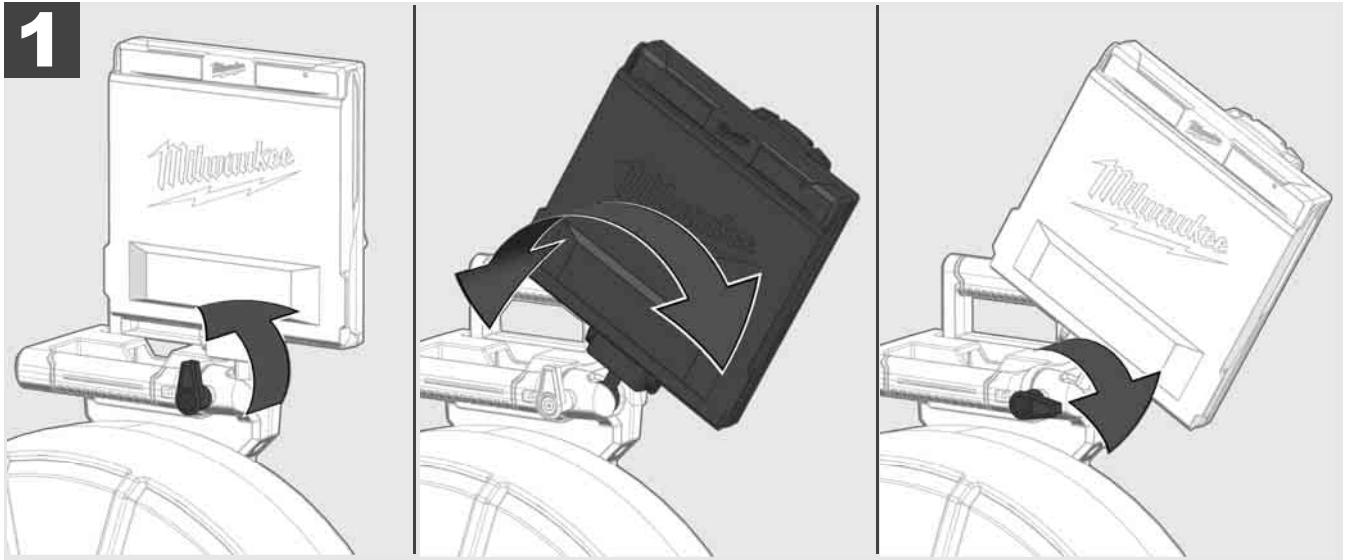


**1**



**2**





### 3.7 Gebrauch der Rohrinspektionstrommel



Das Schiebekabel auf Verschleißspuren kontrollieren – Das Kabel beim Aufwickeln auf Schnitte, Knicke und Abrieb prüfen. Wenn die Ummantlung so stark abgenutzt ist, dass das gelbe oder weiße Kevlargewebe zu sehen ist, muss das Schiebekabel ersetzt werden. Bei Verwendung eines Schiebekabels mit beschädigter Ummantlung können Wasser und Feuchtigkeit eindringen, was die Qualität der Kameraaufnahmen beeinträchtigen oder zu einem Ausfall der Kamera führen kann.

Die nachstehende Abbildung zeigt Beispiele für stark beschädigte Ummantlungen. Derartige Schiebekabel sind schnellstmöglich zu ersetzen.

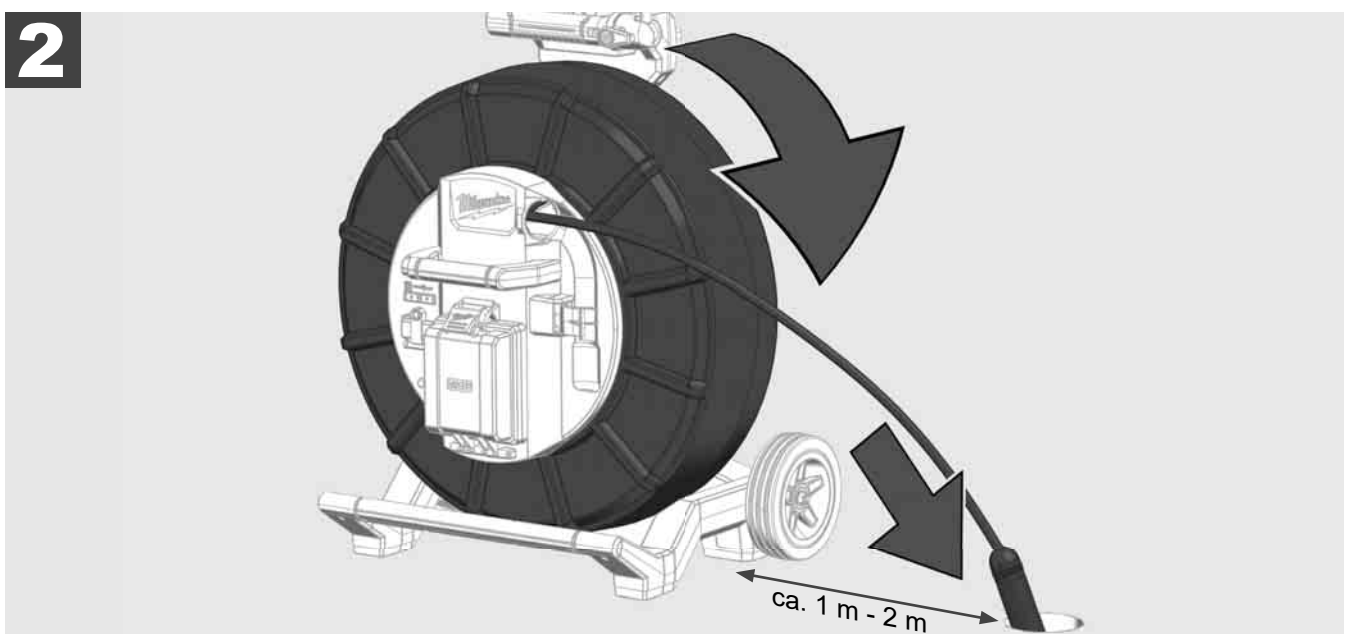
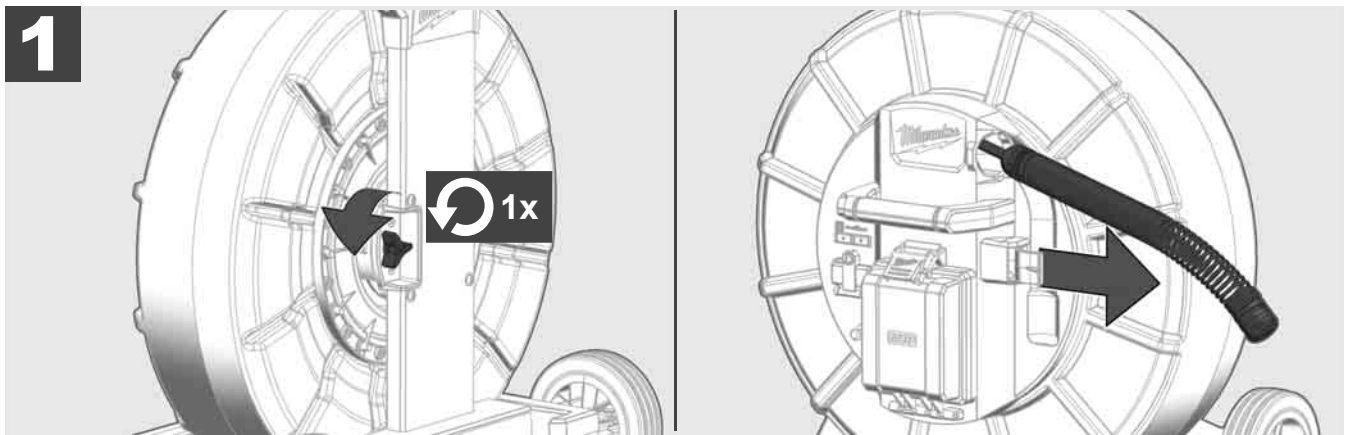


Das Schiebekabel und die Federbaugruppe immer trocken und sauber halten – Das Kabel beim Aufwickeln immer mit einem sauberen, trockenen Tuch reinigen. Am Ende eines Arbeitstags den Kamerakopf und die Feder unter fließendem Wasser vorsichtig von Schmutzrückständen befreien. Trocken schütteln oder überflüssiges Wasser mit Niederdruckluft trockenblasen und die Teile anschließend abtrocknen. Kamerakopf, Schiebekabel und Anschlussteile sind im täglichen Einsatz aggressiven Chemikalien ausgesetzt. Die sorgfältige Reinigung des Systems verlängert die Lebensdauer dieser Teile.

Gehen Sie sorgsam mit dem Schiebekabel um – Ziehen Sie das Schiebekabel nicht aus der arretierten Trommel. Andernfalls wird das Kabel in der Trommel zusammengedrückt und wird übermäßig beansprucht. Das Zurückschieben des Schiebekabels in die arretierte Trommel dagegen kann die Rolle zum Kippen bringen oder das Kabel abknicken.

Die Trommel etwa 1 bis 2 Meter entfernt von der Eintrittsstelle auf ebenem Grund aufstellen. So bleibt genügend Platz zum Hantieren mit dem Kabel, ohne dass Kabelschlaufen über den Boden gezogen werden. Gegebenenfalls die Reibungsbremse betätigen, um die Bewegung des Schiebekabels zu verlangsamen.

Wird die Trommel in horizontaler Position verwendet, vergrößert sich die Fläche zwischen den Füßen. Das verleiht der Trommel einen stabileren Stand auf unebenem Grund und verringert deren Höhe, was unter beengten Platzverhältnissen von Vorteil ist.





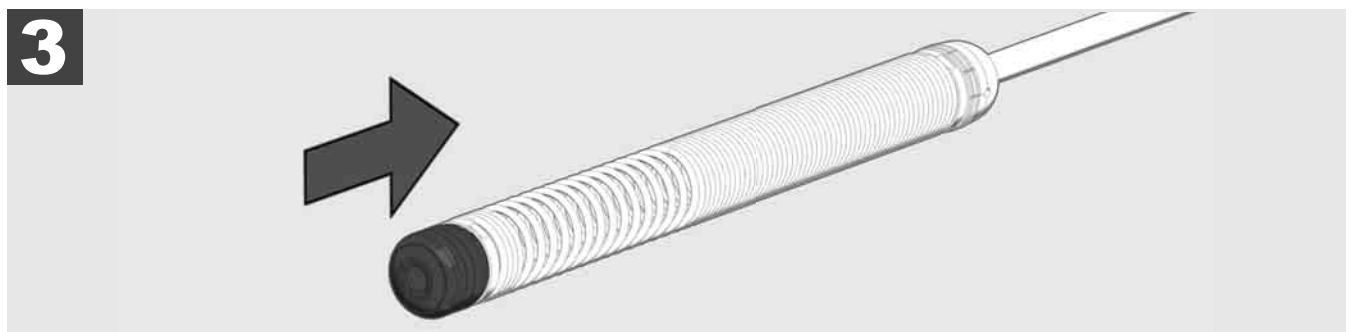
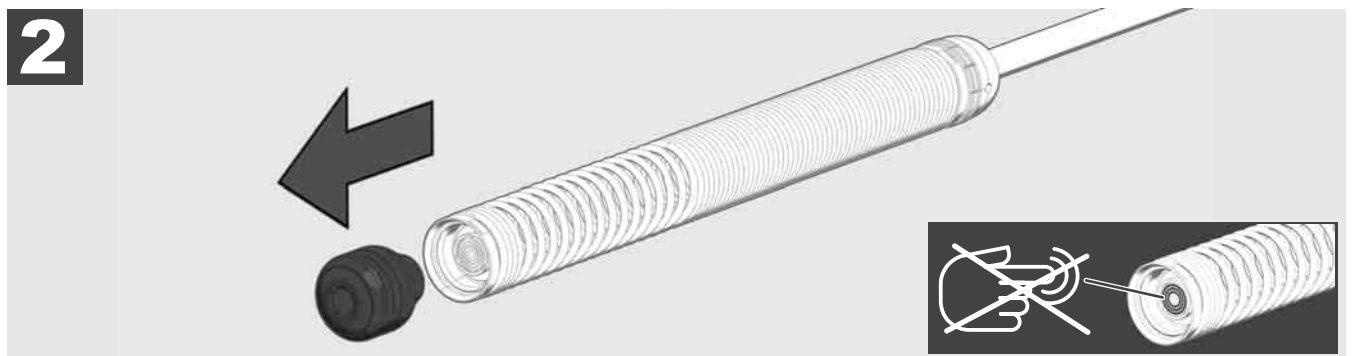
### 3.8 Kamerakopfbaugruppe



Die grüne Leiterplatte bzw. die Goldkontakte auf der Federbaugruppe sowie den Kamerakopf nach Möglichkeit nicht mit bloßen Händen anfassen. Andernfalls überträgt sich die Fettschicht der Finger auf diese Komponenten, was zu deren frühzeitiger Korrosion führen kann. Tragen Sie nach Möglichkeit saubere und trockene Gummihandschuhe.

Den Kamerakopf vor dem Entnehmen trocken abwischen und Schmutzrückstände entfernen, die in den Anschlussbereich der Kamera fallen könnten.

Nicht zu fest anziehen und keine übermäßige Kraft anwenden!



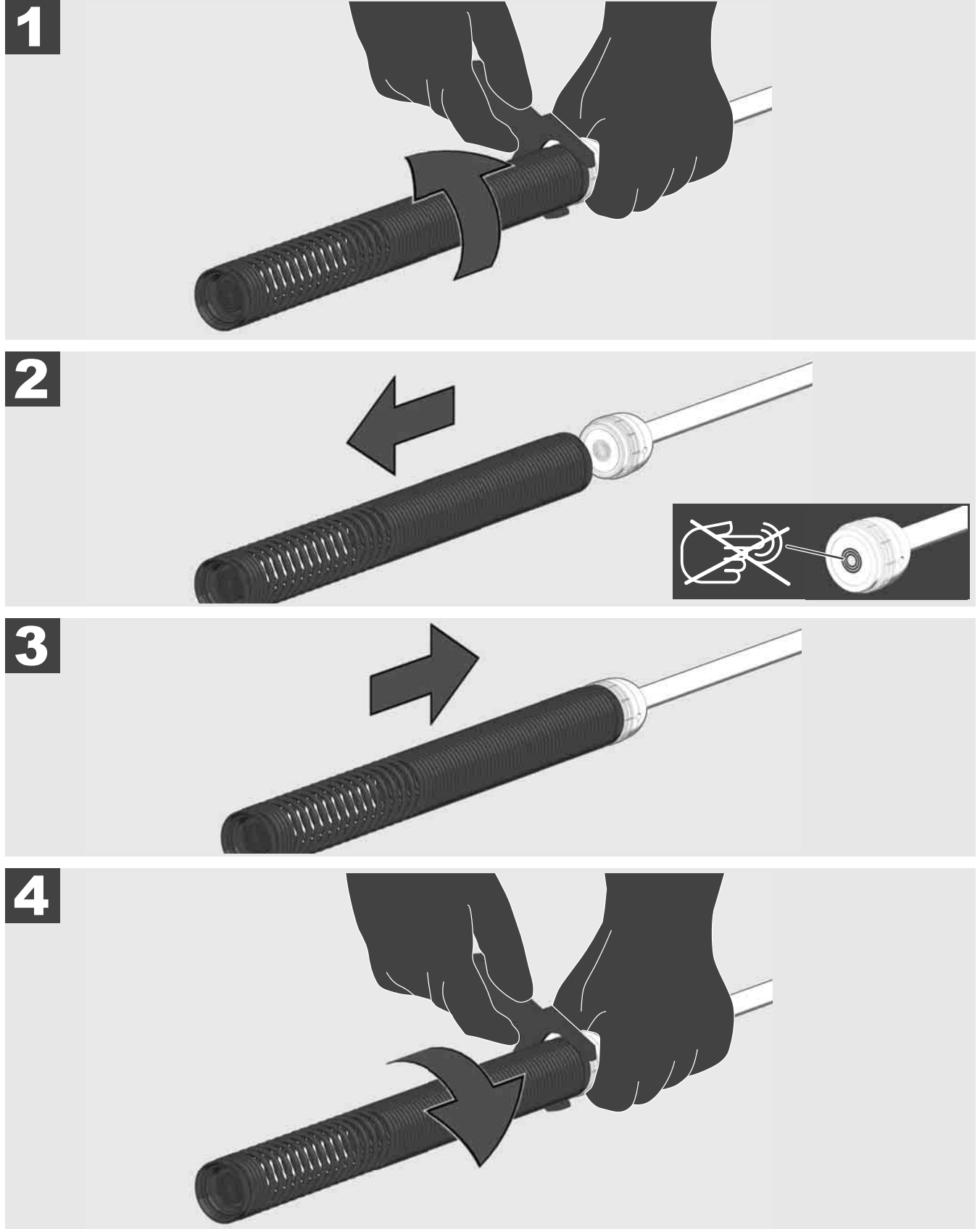
### 3.9 Federgruppe



Die grüne Leiterplatte bzw. die Goldkontakte auf der Federbaugruppe sowie den Kamerakopf nach Möglichkeit nicht mit bloßen Händen anfassen. Andernfalls überträgt sich die Fettschicht der Finger auf diese Komponenten, was zu deren frühzeitiger Korrosion führen kann. Tragen Sie nach Möglichkeit saubere und trockene Gummihandschuhe.

Den Kamerakopf vor dem Entnehmen trocken abwischen und Schmutzrückstände entfernen, die in den Anschlussbereich der Kamera fallen könnten.

Nicht zu fest anziehen und keine übermäßige Kraft anwenden!



### 3.10 Kameraschutzabdeckung

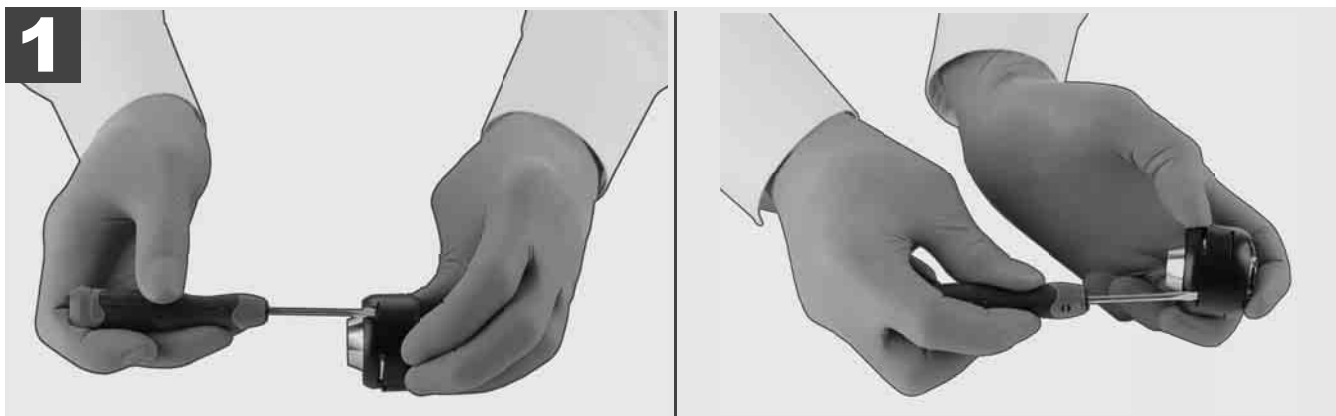


Schutzabdeckungen – Passend für Kameraköpfe mit 25 mm bzw. 34 mm Durchmesser. Diese Schutzabdeckungen werden mit allen ROHRINSPEKTIONSTROMMELN oder Ersatzkameraköpfen mitgeliefert.

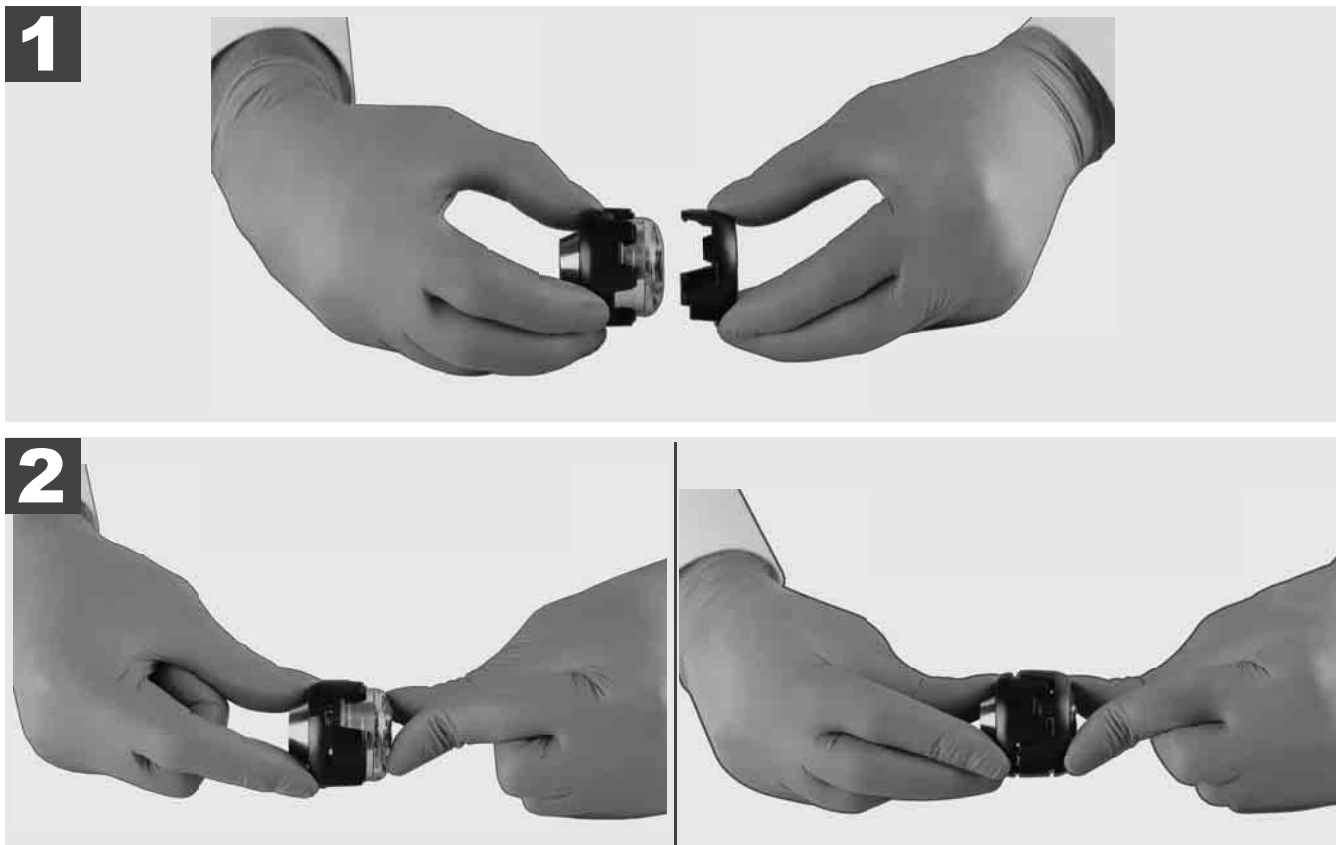
Führungen – Sie werden auf die Federbaugruppe aufgesetzt, damit der Kamerakopf über dem Boden entlangfährt und nicht direkt mit dem Rohr in Berührung kommt.



#### Schutzabdeckung entfernen



#### Schutzabdeckung installieren



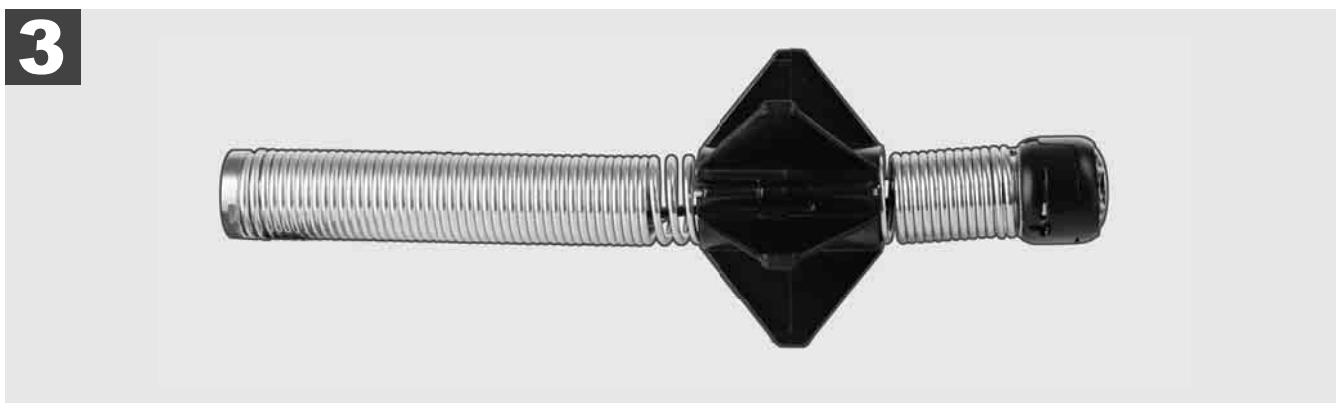
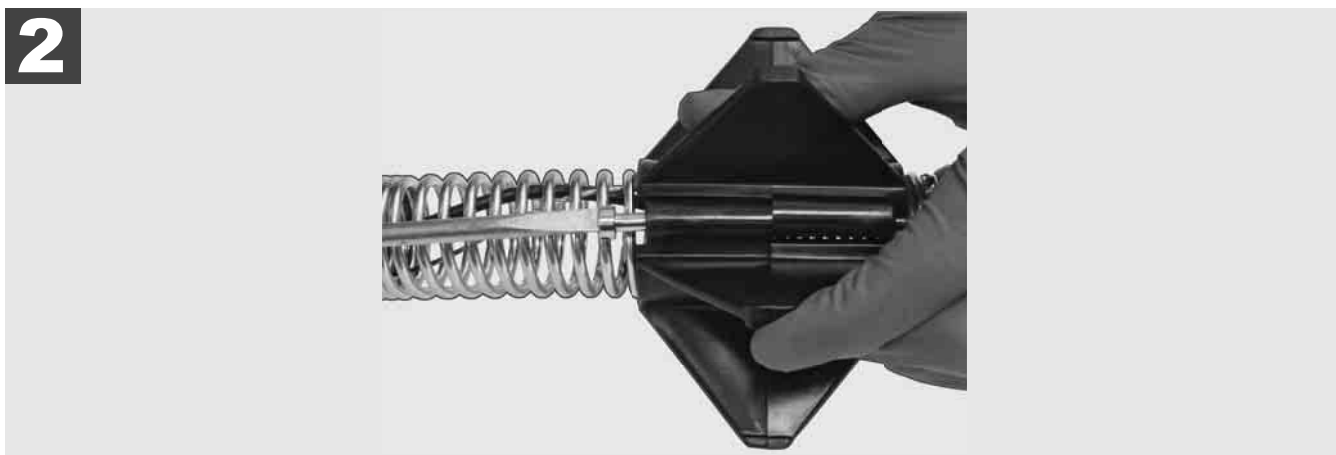
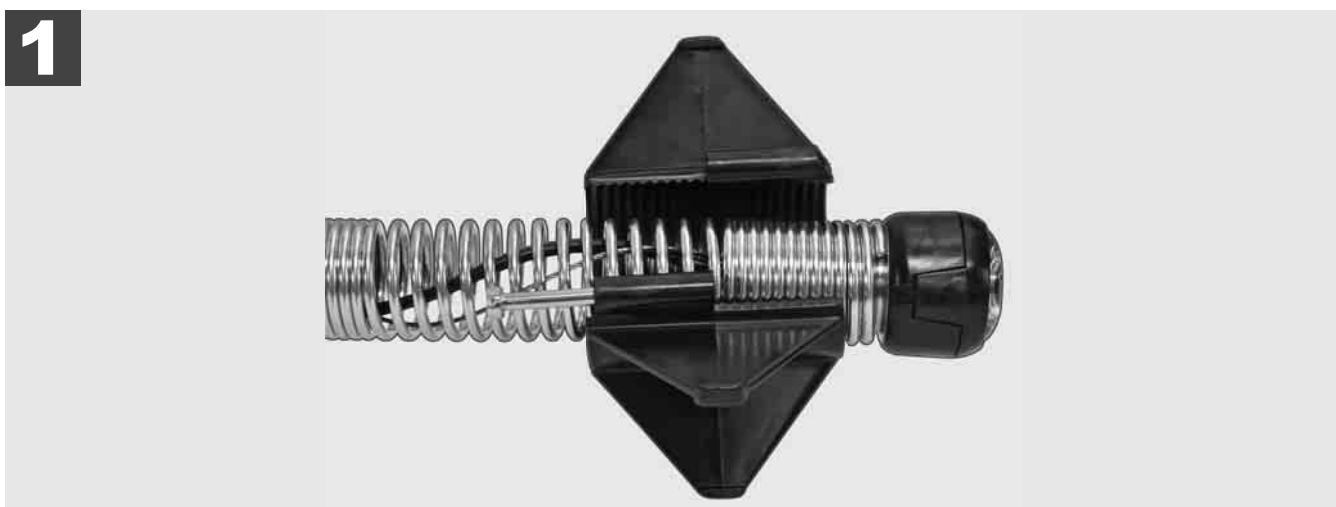
### 3.11 Kameraführungen



Für die 25 mm bzw. 34 mm breiten Kameraköpfe stehen jeweils zwei Führungen zur Verfügung: Eine kleine Ausführung mit 75 mm und eine mittlere Ausführung mit 100 mm.

Kameraführung 25 mm

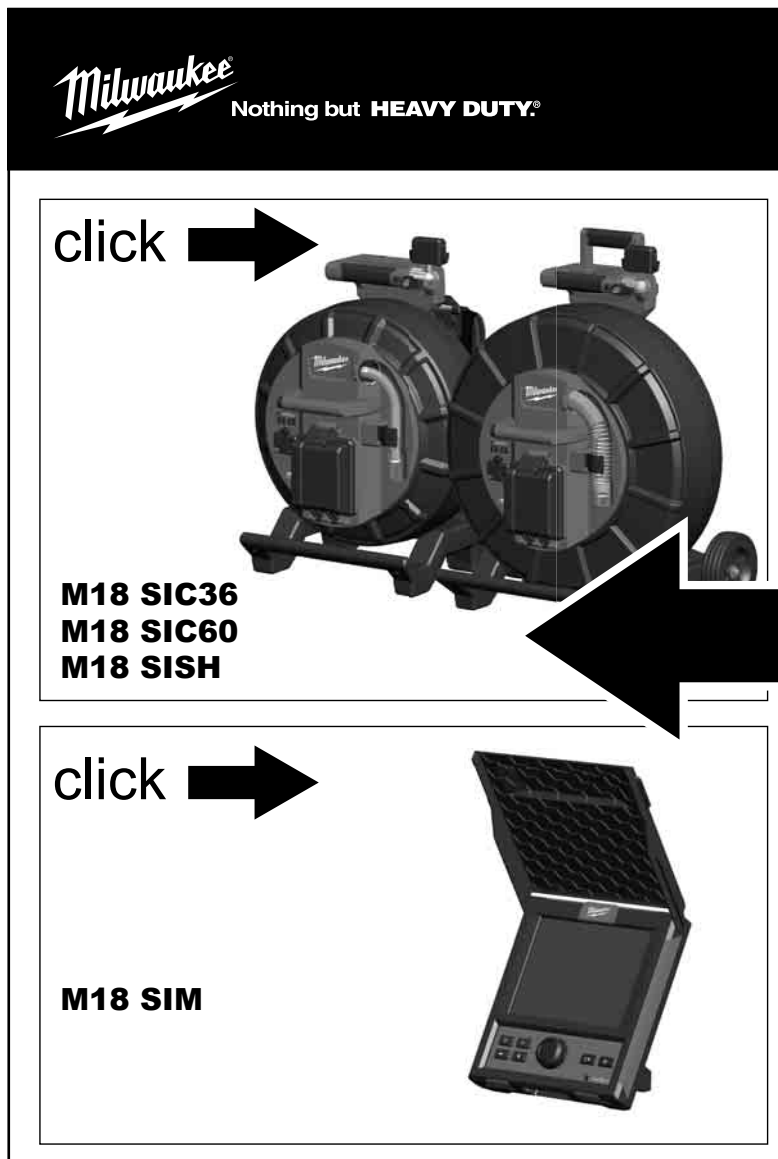
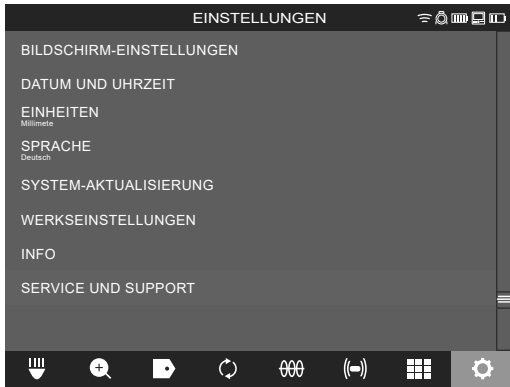
Kameraführung 34 mm



### 3.12 Service und Support

Falls Ihr ROHRINSPEKTIONSSYSTEM repariert werden muss, gelangen Sie unter SERVICE UND SUPPORT auf die Service-Seite für Milwaukee-Werkzeuge mit allen wichtigen Telefonnummern.

Wählen Sie **EINSTELLUNGEN**  **SERVICE UND SUPPORT**



The Milwaukee logo is at the top left, with the slogan 'Nothing but HEAVY DUTY.®' to its right. Below the logo, there are two product images. The first image shows two circular pipe inspection cameras on a stand. To the left of this image is the text 'click' with a right-pointing arrow. Below the image are the model numbers: M18 SIC36, M18 SIC60, and M18 SISH. The second image shows a rugged handheld device with a screen and a keypad. To the left of this image is the text 'click' with a right-pointing arrow. Below the image is the model number: M18 SIM. A large black arrow points from the right side of the page towards the product images, with the word 'click' written in large black text next to it.

click

1	Consignes générales .....	2
1.1	Consignes particulières de sécurité pour les systèmes d'inspection des tuyauteries.....	2
1.2	Avis complémentaires de sécurité et de travail .....	2
1.3	Caractéristiques techniques.....	3
1.4	Utilisation conforme aux prescriptions .....	3
1.5	Exigences en matière de fréquence radio en ce qui concerne les installations européennes.....	3
1.6	Déclaration CE de conformité .....	4
1.7	ONE-KEY™ .....	4
1.8	Batterie.....	4
1.9	Transport de batteries lithium-ion .....	4
1.10	Entretien.....	5
1.11	Symboles .....	5
2	Smart Hub M18 SISH .....	6
2.1	Vue d'ensemble du Smart Hub M18 SISH.....	6
2.2	Insertion et retrait de la batterie .....	7
2.3	Vérification du niveau de charge de la batterie.....	8
2.4	Insertion du Smart Hub M18 SISH .....	9
2.5	Retrait du Smart Hub M18 SISH .....	10
2.6	Commutateur MARCHE/ARRÊT.....	11
2.7	Raccordement du moniteur.....	12
2.8	Ports USB .....	13
2.9	Piquet de terre .....	14
2.10	Remise à zéro du compteur de longueur .....	15
2.11	Test de connexion de la caméra .....	16
2.12	Formatage du disque interne et de la clé USB .....	17
2.13	Paramètres d'usine .....	18
2.14	Mise à jour du système .....	19
3	TAMBOURS D'INSPECTION DES TUYAUX.....	21
3.1	Aperçu du tambour d'inspection des tuyaux M18 SIC36.....	21
3.2	Aperçu du tambour d'inspection des tuyaux M18 SIC60.....	22
3.3	Installation du dispositif de transport .....	23
3.4	Retrait du dispositif de transport .....	24
3.5	Installation du moniteur sans fil M18 SIM .....	25
3.6	Réglage du moniteur sans fil M18 SIM .....	26
3.7	Utilisation du tambour d'inspection des tuyaux .....	27
3.8	Module de tête de caméra .....	28
3.9	Ensemble à ressort .....	29
3.10	Cache de protection de la caméra .....	30
3.11	Guides de caméra .....	31
3.12	Service et assistance .....	32

# 1 CONSIGNES GÉNÉRALES

## 1.1 Consignes particulières de sécurité pour les systèmes d'inspection des tuyauteries

Pendant les travaux dans les tuyauteries, veiller à ce que celles-ci ne se trouvent pas sous tension et à ce qu'elles ne soient pas chargées électriquement. Les tuyauteries ne doivent pas contenir de liquide. La caméra et l'appareil ne doivent pas entrer en contact avec du liquide.

La caméra et le câble ne doivent pas entrer en contact avec de l'huile, du gaz ou d'autres matières qui provoquent la corrosion.

En vue de réduire le risque d'explosion, de choc électrique et de dommages matériels, contrôler la zone de travail avant chaque intervention. Le câble ne doit pas entrer en contact avec des composants électriques, des produits chimiques ou des parties mobiles.

En vue de réduire le risque de dommages au dispositif, ne pas appliquer une force excessive et ne pas plier le câble en angle vif. Ne pas utiliser la caméra d'inspection et son câble dans des endroits où ils pourraient entrer en contact avec des substances corrosives ou huileuses.

Ne pas utiliser le câble pour éliminer des engorgements ou des obstacles. Ce dispositif n'est pas un déboucheur!

Si le tuyau de vidange pourrait contenir des produits chimiques, des bactéries ou d'autres substances toxiques et/ou des agents pathogènes, porter sous les gants de protection conseillés par le fabricant des gants en latex ou en caoutchouc, ainsi que des lunettes de protection, une protection faciale, des vêtements de protection et un masque respiratoire. Les tuyaux peuvent contenir des produits chimiques, des bactéries et d'autres substances potentiellement toxiques, pathogènes ou qui pourraient causer des brûlures ou d'autres lésions graves.

Respecter les normes concernant l'hygiène. Ne pas manger et ne pas fumer lors de l'utilisation de l'appareil. Après avoir manutentionné ou utilisé le système d'inspection des tuyauteries, toujours se laver et autres parties du corps entrées en contact avec le contenu des tuyaux avec de l'eau chaude et du savon. Cela permettra d'éviter tout risque pour la santé dérivé du contact avec des substances toxiques ou pathogènes.

Contrôler le câble avant son usage pour détecter d'éventuels signes d'usure ou des dommages. Si le câble est usagé ou endommagé, il doit être remplacé avant l'utilisation de l'appareil.

**ATTENTION !** Faire preuve de prudence lors du transport du système d'inspection des tuyaux à l'aide du dispositif de transport situé à l'arrière. Une perte d'équilibre est possible.

Utiliser toujours l'appareil de façon réfléchie et avec précaution. Il est impossible de prévoir toutes les situations dangereuses. Ne pas utiliser cet appareil sans en comprendre les présentes instructions ou en cas de sensation que la tâche à effectuer est trop compliquée. Contacter Milwaukee ou un professionnel qualifié si plus d'informations ou une formation supplémentaire sont nécessaires.

N'enlever aucune étiquette et plaquette. Les plaquettes contiennent des informations importantes. Dans le cas où ces plaquettes informatives ne soient plus lisibles ou soient absentes, s'adresser au service après-vente MILWAUKEE en vue d'obtenir un remplacement gratuit.

Certaines poussières provenant de machines de meulage, de sciage et de forage ou d'autres activités de construction peuvent contenir des substances chimiques qui sont cancérigènes, provoquent des malformations congénitales ou altèrent la fertilité. Exemples de ce type de substances chimiques :

- le plomb provenant de peintures à base de plomb,
- le dioxyde de silicium cristallin provenant de briques, de ciment ou d'autres produits de maçonnerie, et
- l'arsenic ou le chrome provenant de bois traité chimiquement.

Le risque d'exposition dépend de la fréquence à est exercé ce type d'activité. Pour réduire le risque d'exposition au minimum, toujours travailler dans des endroits bien ventilés. Porter un équipement de protection homologué, tel qu'un masque antipoussière avec filtre à microparticules.

## 1.2 Avis complémentaires de sécurité et de travail

Ne pas remplacer la batterie si la surface de l'outil est mouillée.

Ne pas jeter les batteries usées au feu ou avec les déchets ménagers. Milwaukee offre un système d'évacuation écologique des batteries usées.

Ne pas conserver les batteries avec des objets métalliques (risque de court-circuit)

Ne charger les batteries du système M18 qu'avec le chargeur de batterie du système M18. Ne pas charger des batteries d'autres systèmes.

En cas de conditions ou températures extrêmes, du liquide caustique peut s'échapper d'une batterie endommagée. En cas de contact avec le liquide caustique de la batterie, laver immédiatement avec de l'eau et du savon. En cas de contact avec les yeux, rincer soigneusement avec de l'eau et consulter immédiatement un médecin.

**Avertissement !** Pour réduire le risque d'incendie, de blessures corporelles et de dommages causés par un court-circuit, ne jamais immerger l'outil, la batterie ou le chargeur dans un liquide ou laisser couler un fluide à l'intérieur de celui-ci. Les fluides corrosifs ou conducteurs, tels que l'eau de mer, certains produits chimiques industriels, les produits de blanchiment ou les produits qui contiennent des agents de blanchiment, etc., peuvent provoquer un court-circuit.

Ce dispositif ne doit pas être utilisé ou nettoyé par des personnes ayant des capacités physiques, sensorielles ou mentales réduites, ou ne disposant pas de l'expérience ou des connaissances nécessaires, à moins qu'elles n'aient reçu une instruction concernant la gestion sécurisée du dispositif par une personne juridiquement responsable de leur sécurité. Les personnes mentionnées ci-dessus devront être surveillées pendant l'utilisation du dispositif. Ce dispositif ne doit pas être manié par des enfants. Pour cette raison, en cas de non utilisation, il doit être gardé en sécurité hors de la portée des enfants.

### 1.3 Caractéristiques techniques

	M18 SIC36	M18 SIC60	M18 SISH
Longueur du câble de la caméra.....	36 m.....	60 m	
Tête de caméra .....	∅ 25 mm.....	∅ 34 mm	
Zoom max. ....	4x .....	4x	
Tension batterie .....			18 V
Poids suivant procédure EPTA 01/2014 (4.0 Ah / 12 Ah).....	12,4 kg .....	20,46 kg .....	5,37 kg
Bande (bandes) de fréquence Bluetooth .....			2402-2480 MHz
Puissance à haute fréquence.....			1,8 dBm
Version Bluetooth .....	4.0 BT signal mode		
Température conseillée lors du travail.....	-18 .... +50 °C		
Batteries conseillées .....	M18B....; M18HB....		
Chargeurs de batteries conseillés.....	M12-18C, M12-18AC, M12-18FC, M1418C6		

### 1.4 Utilisation conforme aux prescriptions

Le système d'inspection des tuyaux sert à repérer et inspecter les tuyaux. Le concept est composé de trois modules :

#### - Tambour d'inspection des tuyaux M18 SIC36 ou M18 SIC60

Le tambour d'inspection des tuyaux est utilisé pour enrouler et dérouler et pour contrôler le câble de poussée. Les tambours sont disponibles en deux tailles : M18SIC36 pour les tuyaux d'un diamètre de 50 mm à 150 mm et le modèle plus grand M18SIC60 pour les tuyaux d'un diamètre de 75 mm à 250 mm.

Les deux tambours comprennent un câble de poussée et de traction avec un ensemble de ressorts sur lequel est montée la tête de caméra à nivellement automatique. Le moniteur sans fil M18 SIM et le Smart Hub M18 SISH peuvent être utilisés avec les deux tambours.

Les deux tambours peuvent être utilisés à la fois verticalement et horizontalement. Au dos du M18 SIC36, un dispositif de transport peut être attaché pour porter l'appareil sur le dos.

#### - Smart Hub M18 SISH

Le Smart Hub M18 SISH est utilisé pour contrôler le système d'inspection des tuyaux.

Le moniteur sans fil M18 SIM ou la tablette sur laquelle est installée l'application Inspection des tuyaux Milwaukee® se connecte au Smart Hub M18 SISH pour recevoir des vidéos et des images. Les vidéos et les images sont stockées sur le disque interne du Smart Hub M18 SISH.

#### - Moniteur sans fil M18 SIM (non inclus ; peut être acheté séparément)

Le moniteur sans fil M18 SIM permet de visualiser les vidéos enregistrées par la tête de caméra, d'enregistrer des vidéos et des photos, et de lire des fichiers vidéo et des images. Lors de l'enregistrement vidéo, les commentaires peuvent être enregistrés par le biais du microphone interne. Des textes de commentaires peuvent également être ajoutés à l'aide de la fonction « Étiquettes ». Les textes des commentaires sont fondus dans la vidéo enregistrée et apparaissent sur les photos avec la date, l'heure et la longueur du câble déroulé.

Comme déjà indiqué, cette machine n'est conçue que pour être utilisée conformément aux prescriptions.

### 1.5 Exigences en matière de fréquence radio en ce qui concerne les installations européennes

Remarque : Cet équipement a été testé et jugé conforme aux limites applicables à un récepteur de catégorie 3, conformément à la norme EN 300 440 V2.1.1

Ces limites sont conçues pour fournir une protection raisonnable contre les interférences nuisibles dans une installation résidentielle.

Cet appareil est sensible aux autres appareils émettant des ondes radio dans la gamme de fréquences de 2 402 à 2 480 MHz. Cela peut causer des interférences nuisibles aux communications radio lors de l'utilisation de la télécommande. Il ne peut être exclu que, dans certaines circonstances, des interférences puissent se produire.



Pour déterminer si cet équipement est perturbé par des signaux radio provenant d'autres équipements, éteindre temporairement ces derniers pour vérifier l'absence ou la présence d'interférences. Les mesures suivantes peuvent contribuer à éliminer les interférences :

- Éteindre la source d'interférences.
- Augmenter la distance par rapport à la source d'interférences.
- Consulter un revendeur spécialisé ou un technicien radio qualifié.

## 1.6 Déclaration CE de conformité

Le soussigné, Techtronic Industries GmbH, déclare que l'équipement radioélectrique du type M18SISH est conforme à la directive 2014/53/UE. Le texte complet de la déclaration UE de conformité est disponible à l'adresse internet suivante : <http://services.milwaukeeetool.eu>

## 1.7 ONE-KEY™

Pour tout renseignement complémentaire sur la fonction ONE-KEY de cet appareil, lire les brèves instructions annexées ou consulter notre page Internet [www.milwaukeeetool.com/one-key](http://www.milwaukeeetool.com/one-key). L'application ONE-KEY peut être téléchargée à partir de l'App Store ou de Google Play sur votre smartphone.

En cas de décharges électrostatiques, la connexion Bluetooth est interrompue. Dans ce cas, rétablir la connexion manuellement.

L'appareil répond aux exigences minimales conformément à EN 55014-2:2015 / EN 301489-1 V2.2.3 / EN 301489-17 V3.1.1.

### Affichage ONE-KEY™

Voyant bleu fixe : la liaison radio est active et peut être réglée via l'appli ONE-KEY™.

Voyant bleu clignotant : l'outil communique avec l'appli ONE-KEY™.

Voyant rouge clignotant : l'outil a été verrouillé pour des raisons de sécurité et peut être déverrouillé par l'opérateur via l'appli ONE-KEY™.

## 1.8 Batterie

Recharger les batteries avant utilisation après une période de non-utilisation prolongée

Une température supérieure à 50 °C amoindrit la capacité des batteries. Éviter les expositions prolongées au soleil ou au chauffage.

Tenir propres les contacts des batteries et des chargeurs.

Pour une durée de vie optimale, les batteries doivent être chargées à fond après l'utilisation.

Pour une plus longue durée de vie, enlever les batteries du chargeur de batterie quand celles-ci sont chargées.

En cas d'entreposage de la batterie pour plus de 30 jours :

Entreposer la batterie à 27 °C environ dans un endroit sec.

Entreposer la batterie avec une charge d'environ 30 % - 50 %.

Recharger la batterie tous les 6 mois.

## 1.9 Transport de batteries lithium-ion

Les batteries lithium-ion sont soumises aux dispositions législatives concernant le transport de produits dangereux.

Le transport de ces batteries devra s'effectuer dans le respect des dispositions et des normes locales, nationales et internationales.

- Les utilisateurs peuvent transporter ces batteries sans restrictions.
- Le transport commercial de batteries lithium-ion est réglé par les dispositions concernant le transport de produits dangereux. La préparation au transport et le transport devront être effectués uniquement par du personnel formé de façon adéquate. Tout le procédé devra être géré d'une manière professionnelle.

Durant le transport de batteries, les consignes suivantes doivent être respectées :

- S'assurer que les contacts soient protégés et isolés en vue d'éviter des courts-circuits.
- S'assurer que le groupe de batteries ne puisse pas se déplacer à l'intérieur de son emballage.
- Des batteries endommagées ou des batteries perdant du liquide ne devront pas être transportées.






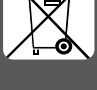






Pour tout renseignement complémentaire, s'adresser au transporteur professionnel.

## 1.10 Entretien

N'utiliser que des pièces et accessoires Milwaukee. Pour des pièces dont l'échange n'est pas décrit, s'adresser de préférence au service après-vente Milwaukee (voir brochure Garantie/Adresses des services après-vente).

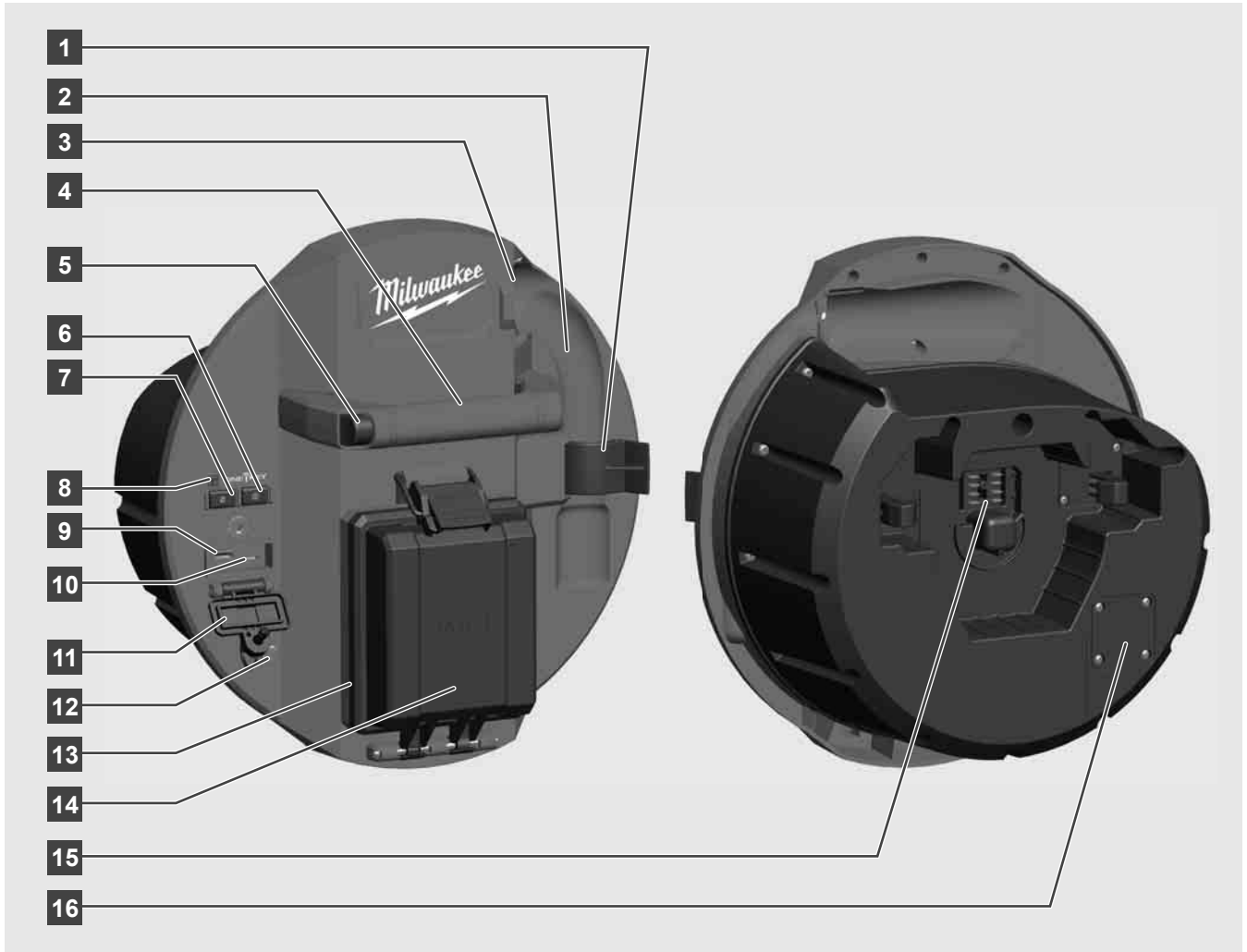
En cas de besoin, il est possible de demander un dessin éclaté du dispositif en indiquant le modèle de la machine et le numéro à six chiffres imprimé sur la plaquette de puissance et en s'adressant au service après-vente ou directement à Techtronic Industries GmbH, Max-Eyth-Straße 10, 71364 Winnenden, Germany.

## 1.11 Symboles

	ATTENTION! AVERTISSEMENT! DANGER!
	Avant tous travaux sur l'appareil, retirer la batterie.
	Lire avec soin le mode d'emploi avant la mise en service
	Porter des gants de protection !
	Toujours porter des lunettes protectrices en travaillant avec l'appareil.
	Les dispositifs électriques, les batteries et les batteries rechargeables ne sont pas à éliminer dans les déchets ménagers. Les dispositifs électriques et les batteries sont à collecter séparément et à remettre à un centre de recyclage en vue de leur élimination dans le respect de l'environnement. S'adresser aux autorités locales ou au détaillant spécialisé en vue de connaître l'emplacement des centres de recyclage et des points de collecte.
	Tension
	Courant continu
	Marque de conformité européenne
	Marque de conformité britannique
	Marque de conformité ukrainienne
	Marque de conformité d'Eurasie

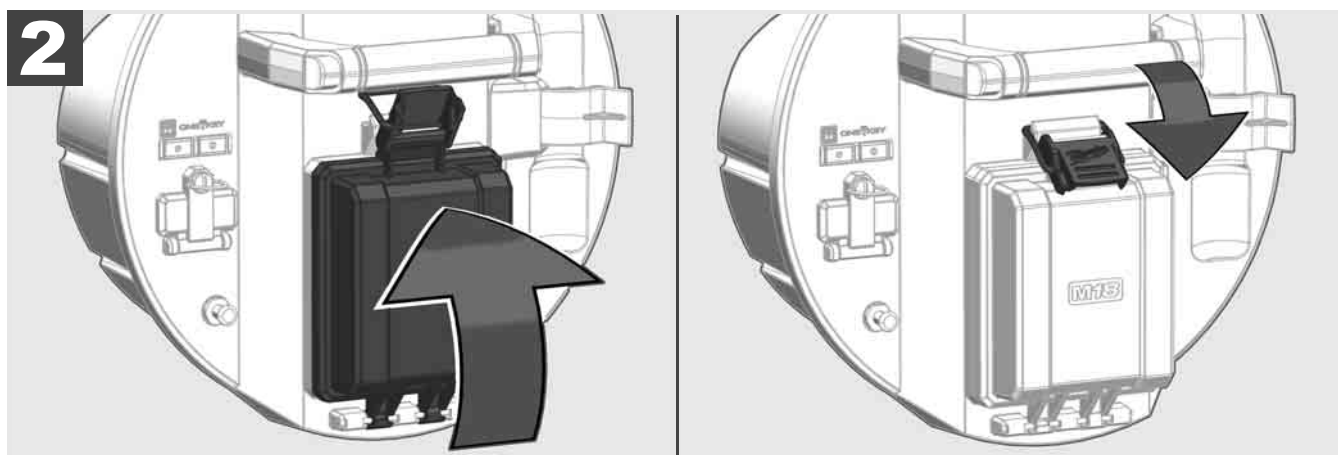
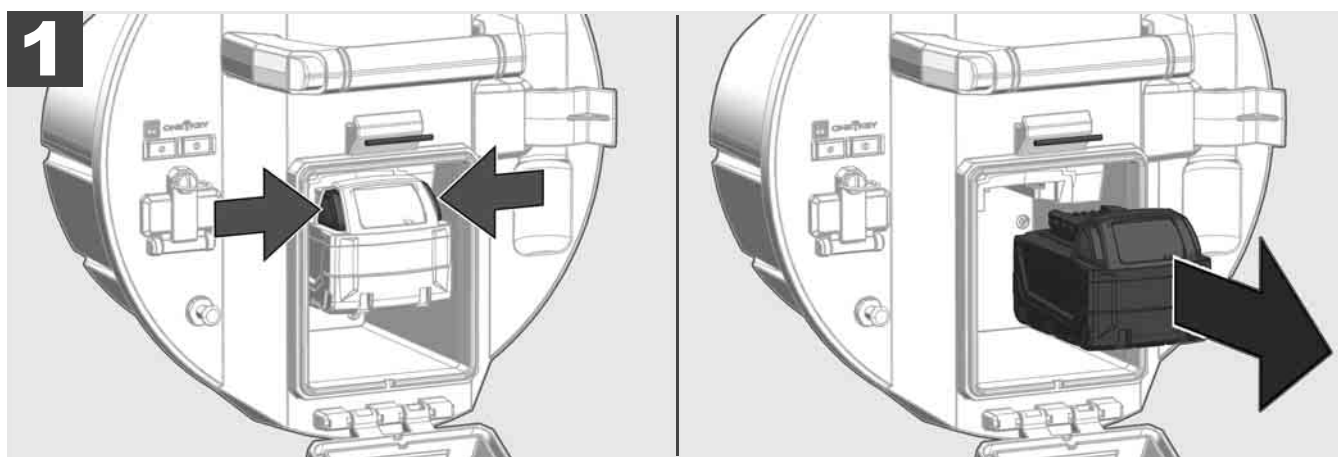
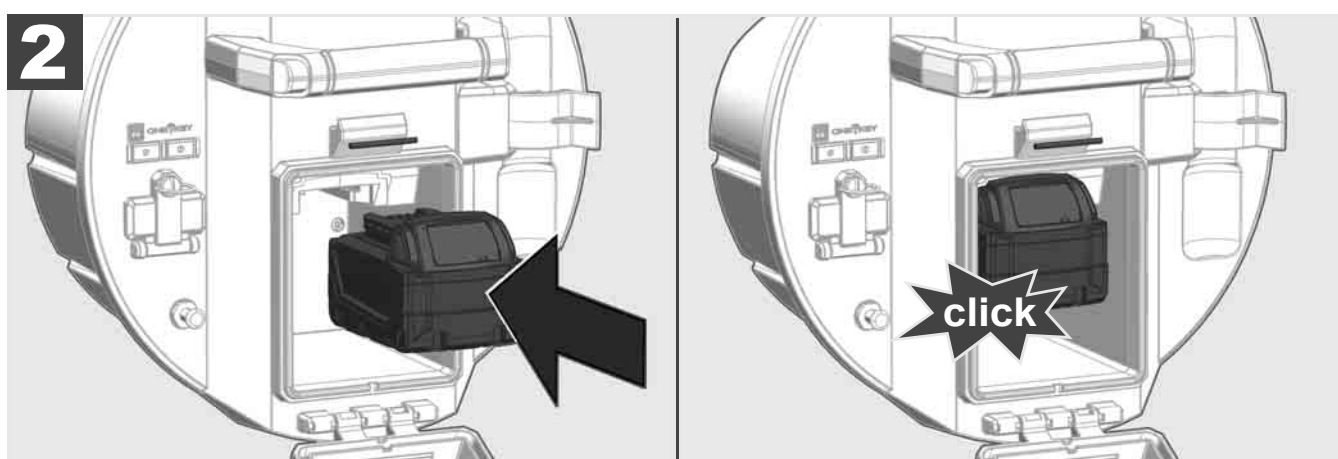
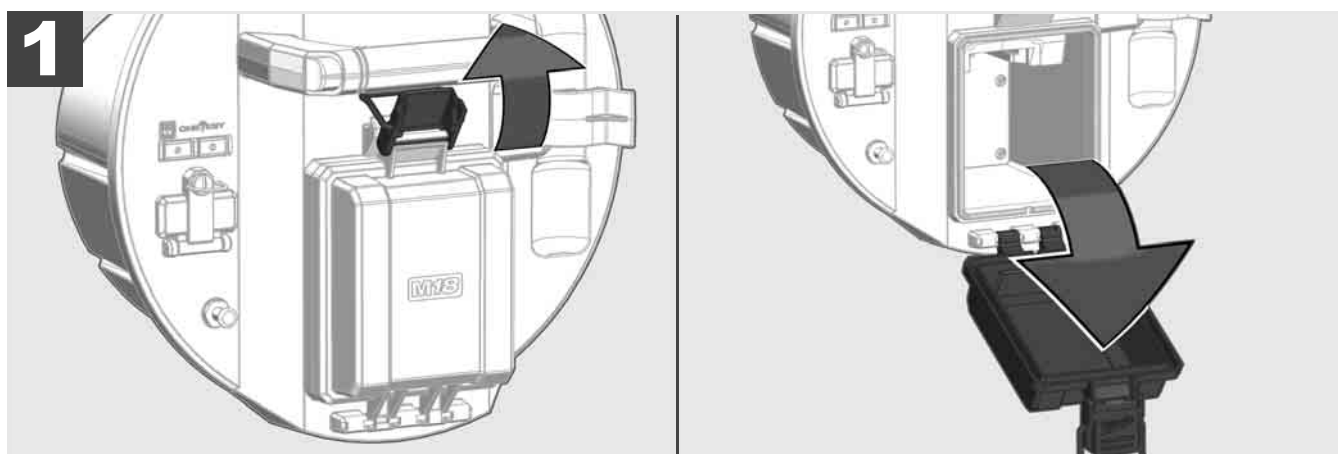
## 2 SMART HUB M18 SISH

### 2.1 Vue d'ensemble du Smart Hub M18 SISH

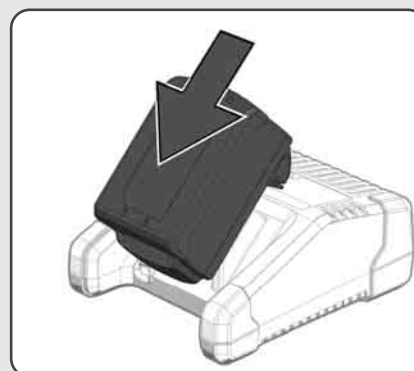


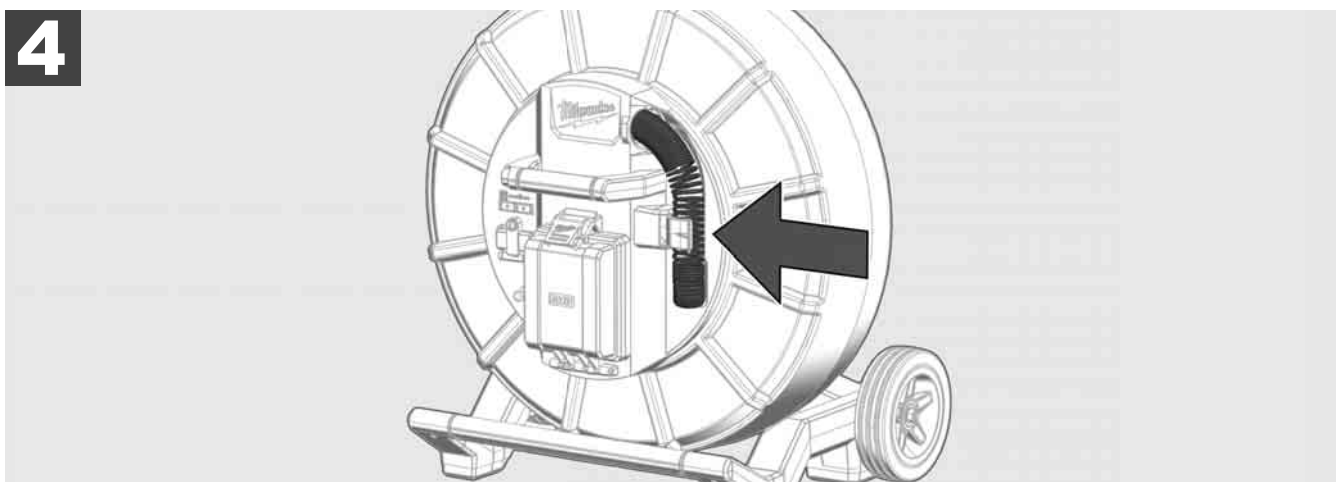
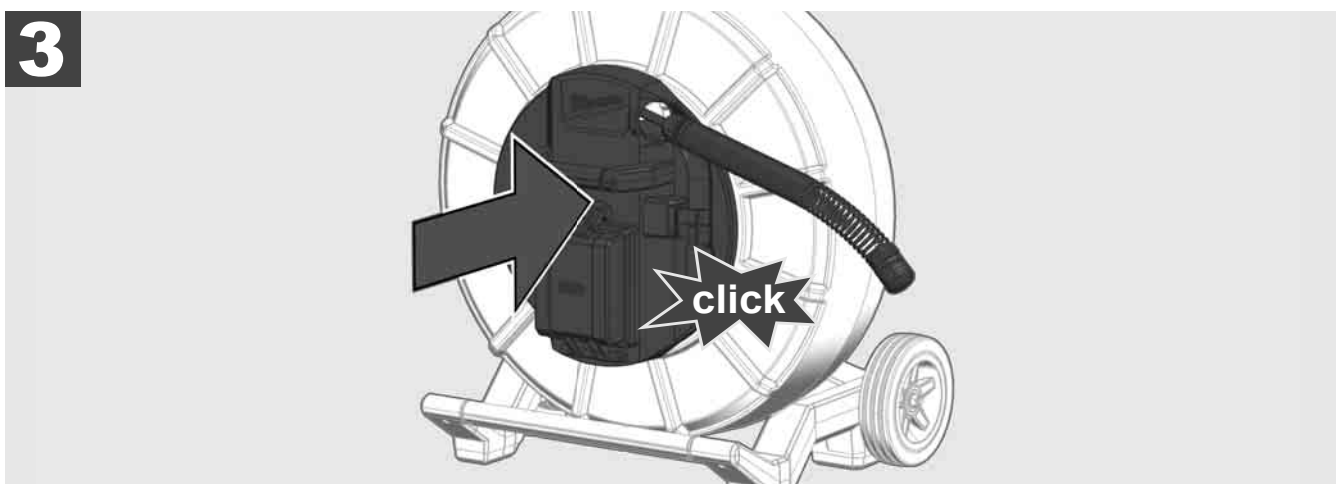
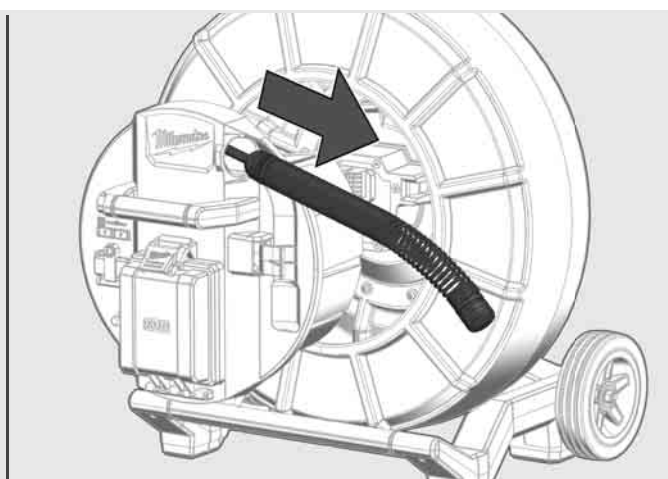
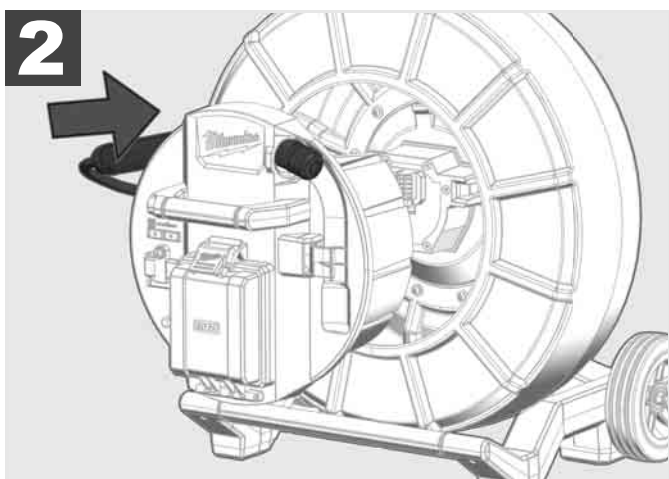
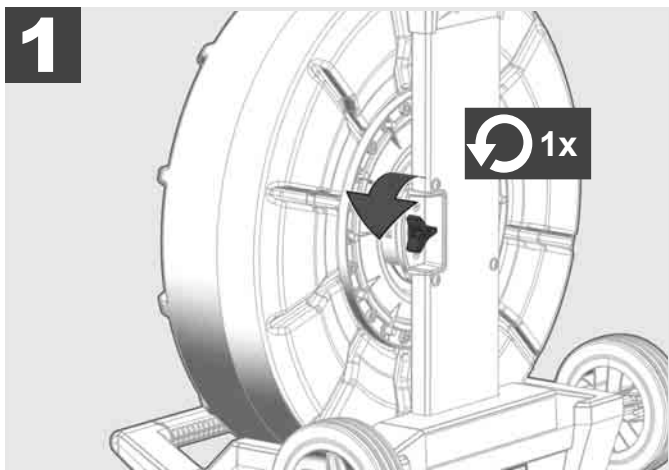
- 1 Pince de sécurité à ressort – Pour sécuriser le ressort et la caméra pendant le transport.
- 2 Pince à ressort – Maintient le ressort et la caméra en place pendant le transport et le stockage.
- 3 Guide du câble – Avant d'enclencher le Smart Hub, enfiler le ressort et pousser le câble dans le guide.
- 4 Poignée
- 5 Bouton de déverrouillage – Appuyer sur ce bouton pour libérer le Smart Hub du tambour d'inspection des tuyaux.
- 6 Interrupteur principal – Appuyer une fois brièvement pour allumer l'appareil ; maintenir le bouton enfoncé pour éteindre l'appareil.
- 7 Bouton de remise à zéro de la longueur du câble – Remet à zéro la longueur du câble déroulé.
- 8 Indicateur LED ONE-KEY
- 9 Port USB-A – Pour le stockage direct de vidéos et de photos et pour les mises à jour du micrologiciel.
- 10 Port USB-C – Port d'alimentation et de données en option pour connecter le moniteur sans fil M18 SIM au Smart Hub.
- 11 Couvercle de port USB – Couvercle étanche qui protège les ports USB de la poussière et de l'humidité.
- 12 Piquet de terre – Pour mettre le Smart Hub à la terre lors du suivi du câble de poussée.
- 13 Couvercle de la batterie – Couvercle étanche qui protège la batterie de la poussière et de l'humidité.
- 14 Compartiment de la batterie – Pour la batterie M18™
- 15 Connexion pour le raccordement du Smart Hub et du tambour d'inspection des tuyaux.
- 16 Port de test de la caméra – Pour le dépannage des problèmes de la tête de caméra.

## 2.2 Insertion et retrait de la batterie



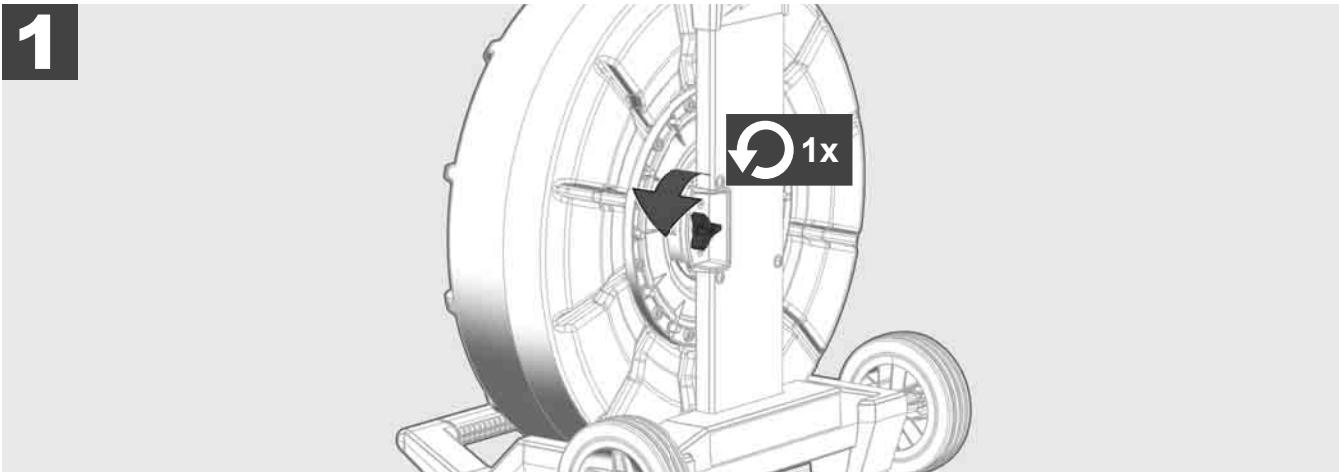
## 2.3 Vérification du niveau de charge de la batterie



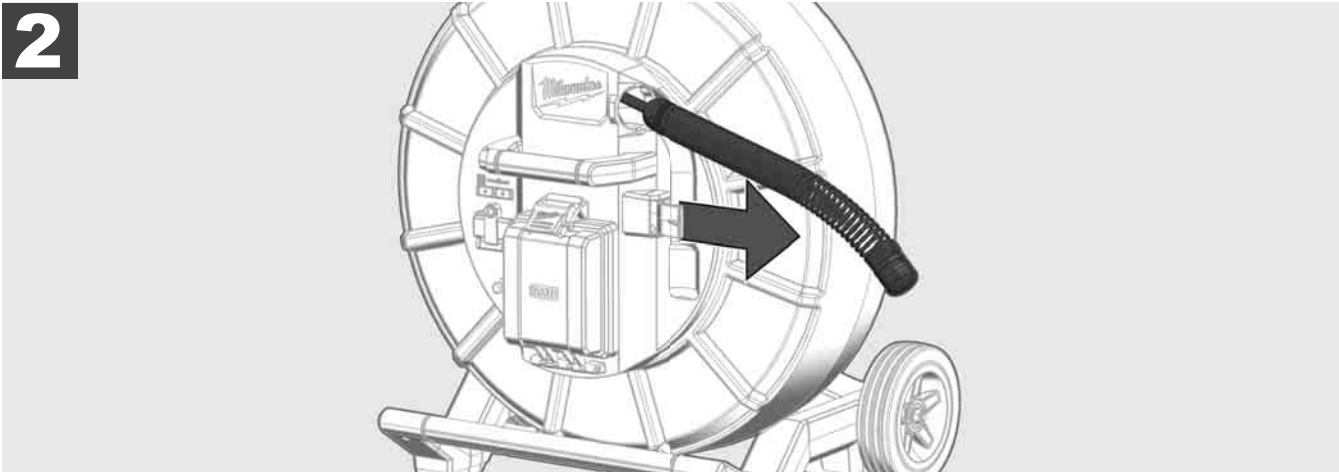




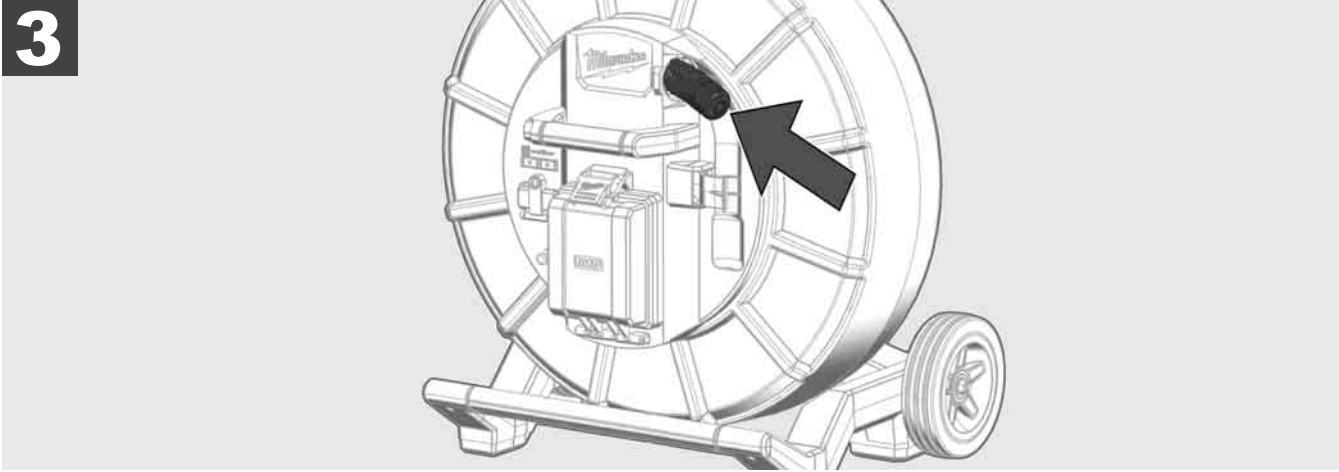
**1**



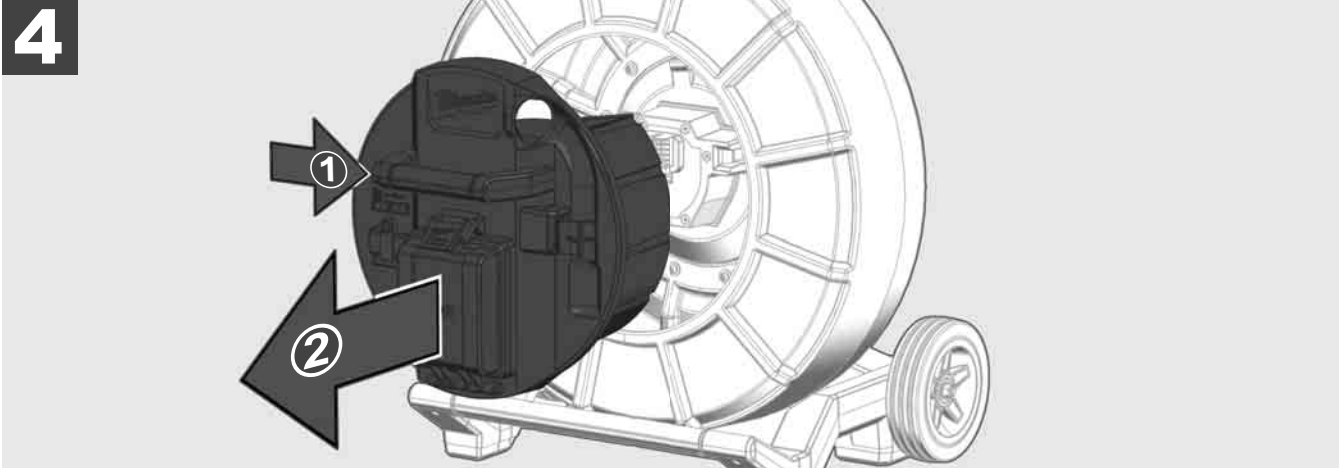
**2**



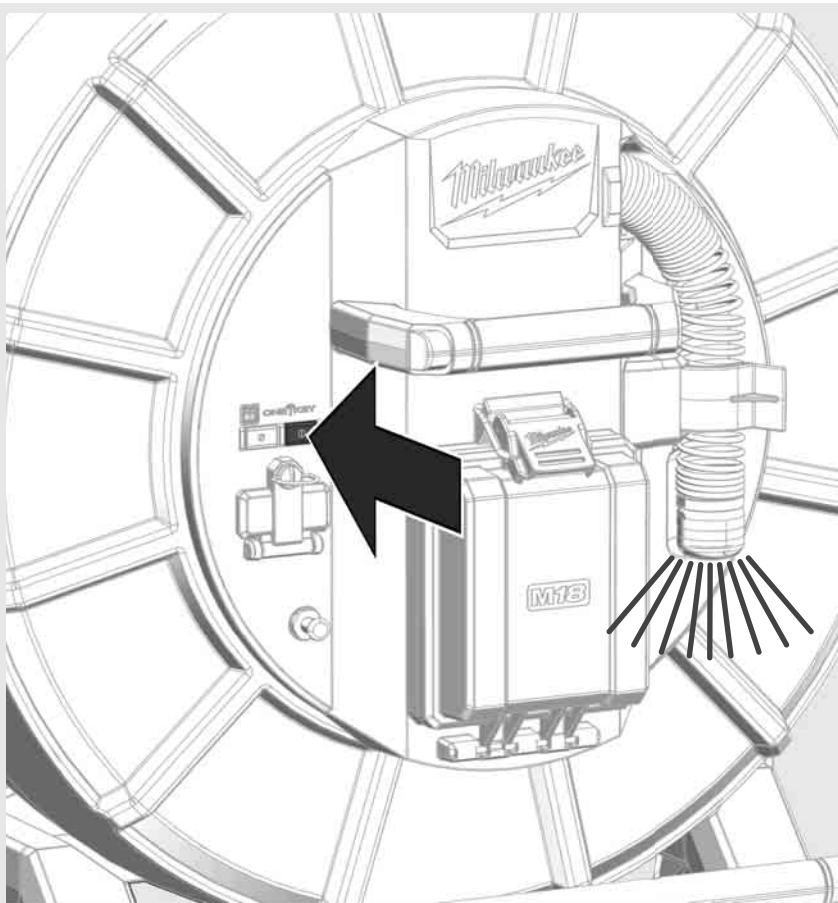
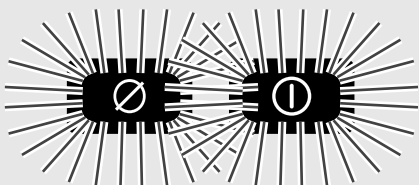
**3**



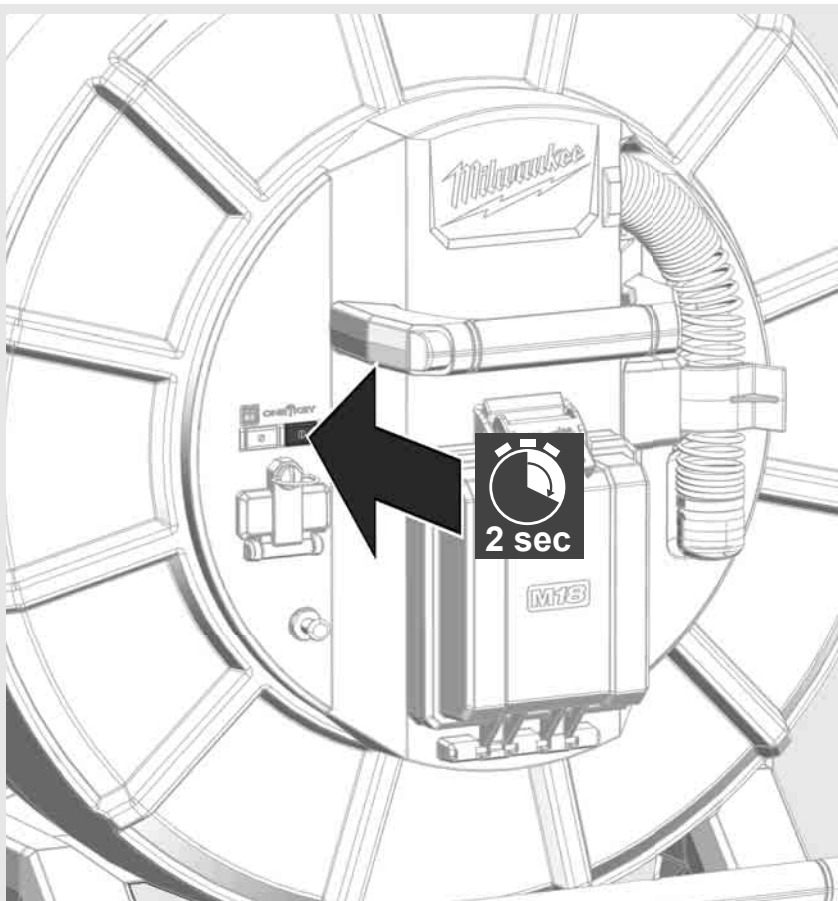
**4**



# ON



# OFF





## 2.7 Raccordement du moniteur

Un dispositif d'affichage externe est nécessaire pour modifier les paramètres du SYSTÈME D'INSPECTION DES TUYAUX,, contrôler ses fonctions et afficher les images et les vidéos prises avec la caméra.

L'unité d'affichage externe n'est pas incluse avec le SYSTÈME D'INSPECTION DES TUYAUX et doit être achetée séparément.

Les options suivantes sont disponibles :

- MONITEUR SANS FIL MILWAUKEE M18 SIM
- Tablette ou smartphone avec l'application INSPECTION DES TUYAUX MILWAUKEE

Le MONITEUR SANS FIL est connecté au SYSTÈME D'INSPECTION DES TUYAUX via un port WLAN ou USB-C et est immédiatement prêt à l'emploi. En cas d'utilisation d'une tablette ou d'un smartphone, installer d'abord l'application INSPECTION DES TUYAUX MILWAUKEE sur l'appareil en question.

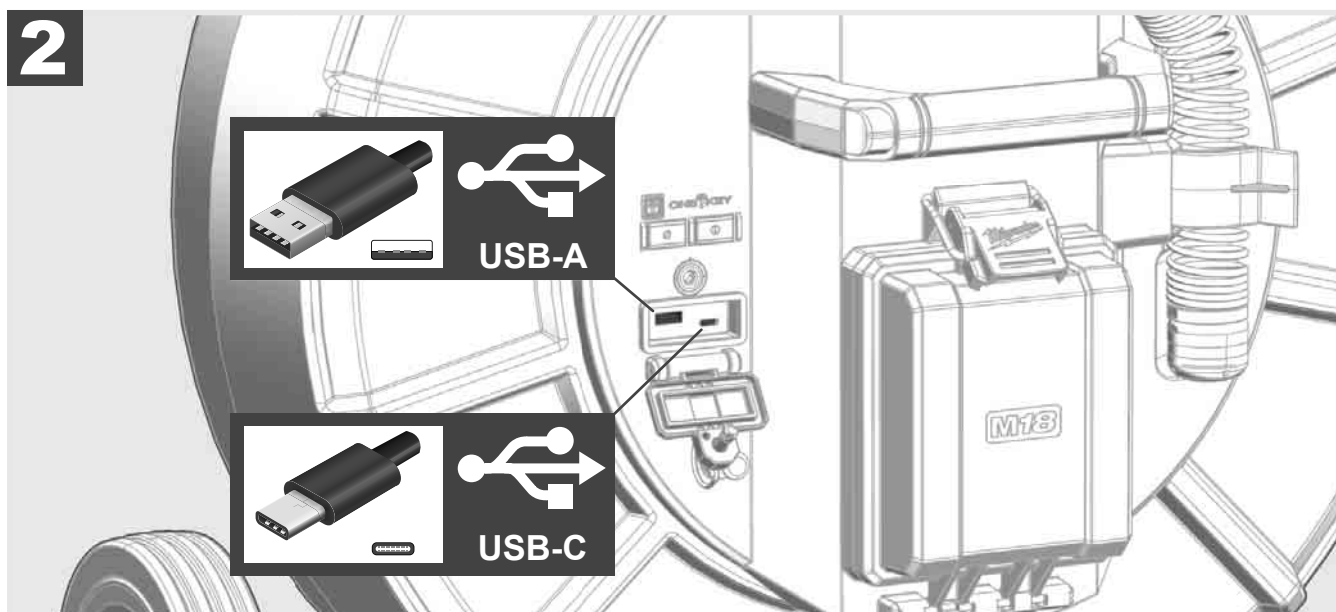
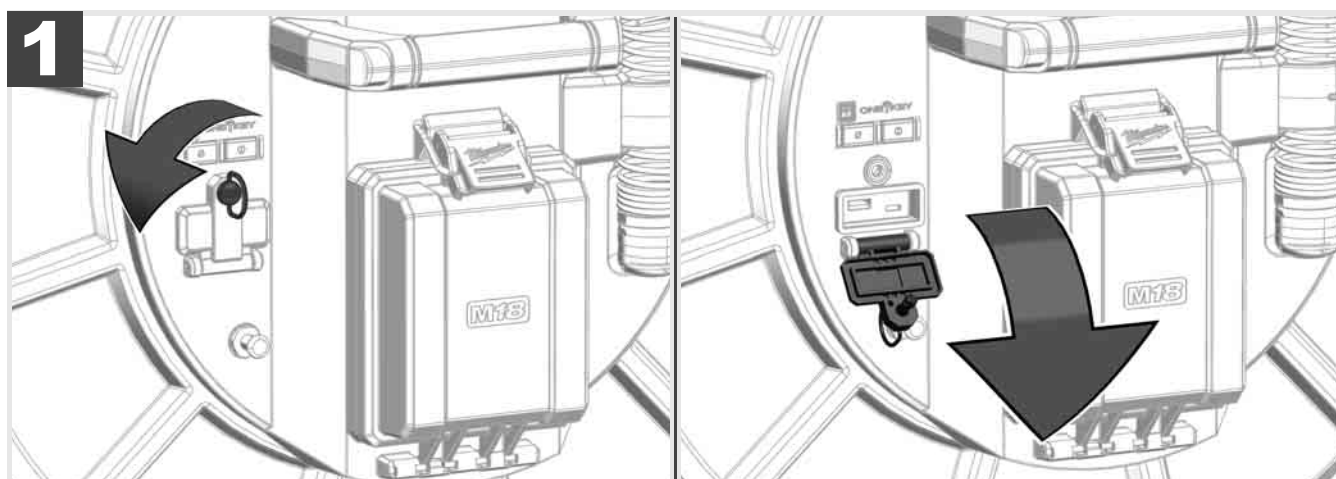
### **PREMIÈRE UTILISATION AVEC LE MONITEUR SANS FIL M18 SIM**

1. Allumer le SMART HUB et le MONITEUR SANS FIL.
2. Le MONITEUR SANS FIL se connectera automatiquement au SMART HUB dans un délai de 25 secondes.

\*Pour une connexion par câble, connecter le moniteur au Smart Hub à l'aide du câble USB-C.

### **PREMIÈRE UTILISATION AVEC UN SMARTPHONE OU UNE TABLETTE :**

1. Télécharger et installer l'application INSPECTION DES TUYAUX MILWAUKEE.
2. Allumer le Smart Hub et l'appareil d'affichage.
3. Sélectionner l'option Réglages > WLAN.
4. Sélectionner l'option MTCAM\_[LAST 9 DIGITS OF HUB SERIAL #].
5. Entrer le mot de passe : 29702000
6. Démarrer l'application INSPECTION DES TUYAUX MILWAUKEE;

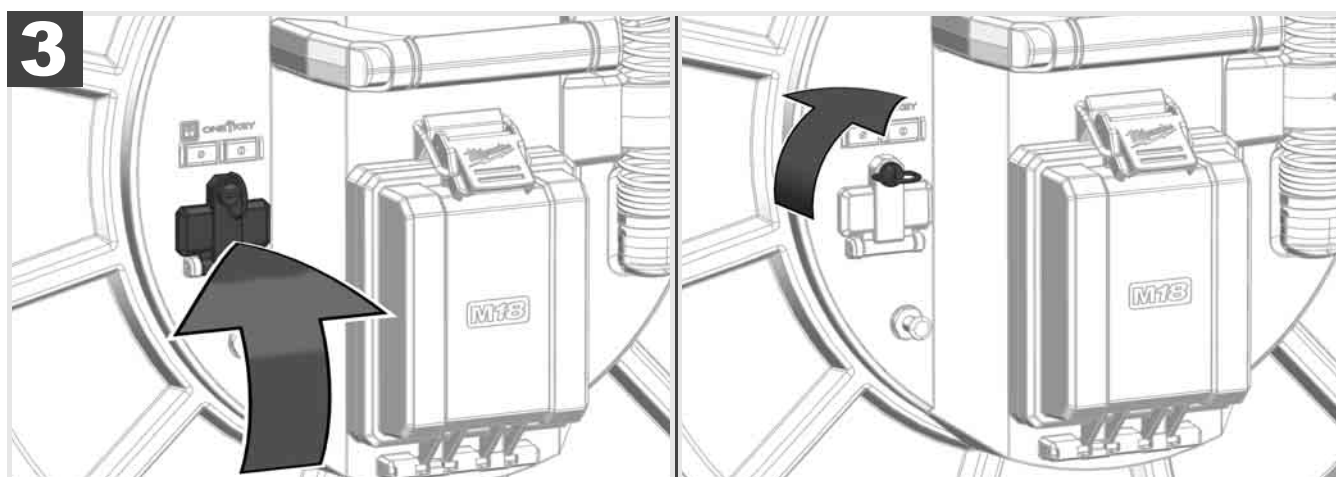


### USB-A

- Port pour une utilisation normale. Permet d'enregistrer directement des fichiers vidéo et des images ou de les transférer à partir du disque interne du Smart Hub.
- Permet d'effectuer des mises à jour du micrologiciel sur le Smart Hub.

### USB-C

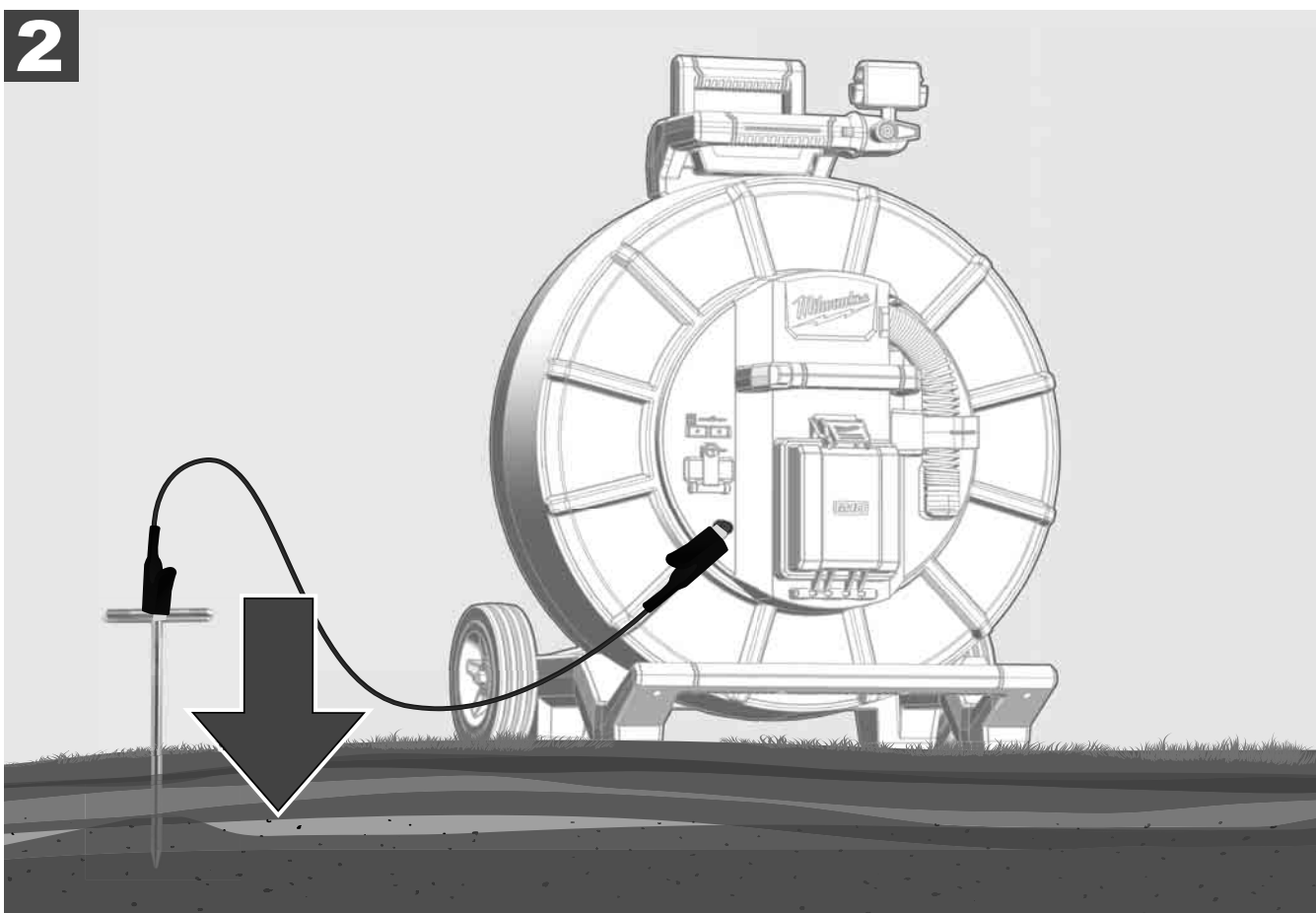
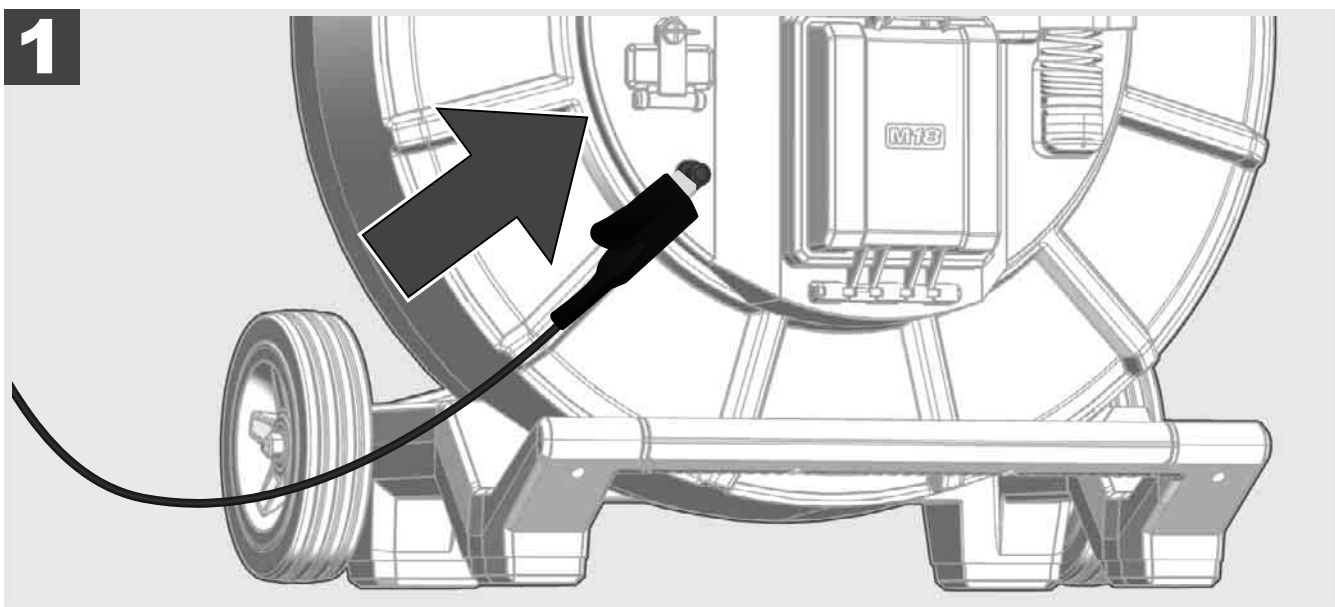
- Permet la connexion entre le moniteur sans fil M18 SIM et le Smart Hub sans connexion WLAN. Alimenter le Smart Hub via le moniteur sans fil M18 SIM ou vice versa lorsque la batterie n'est pas chargée.



## 2.9 Piquet de terre




Toujours utiliser le piquet de terre lorsque le câble de poussée est suivi à l'aide de la fonction SUIVI DU CÂBLE. Le Smart Hub doit être mis à la terre pour garantir que la boucle de courant est fermée et qu'un bon signal de localisation est envoyé. Utiliser le câble de mise à la terre fourni avec le piquet de terre pour mettre le Smart Hub à la terre.

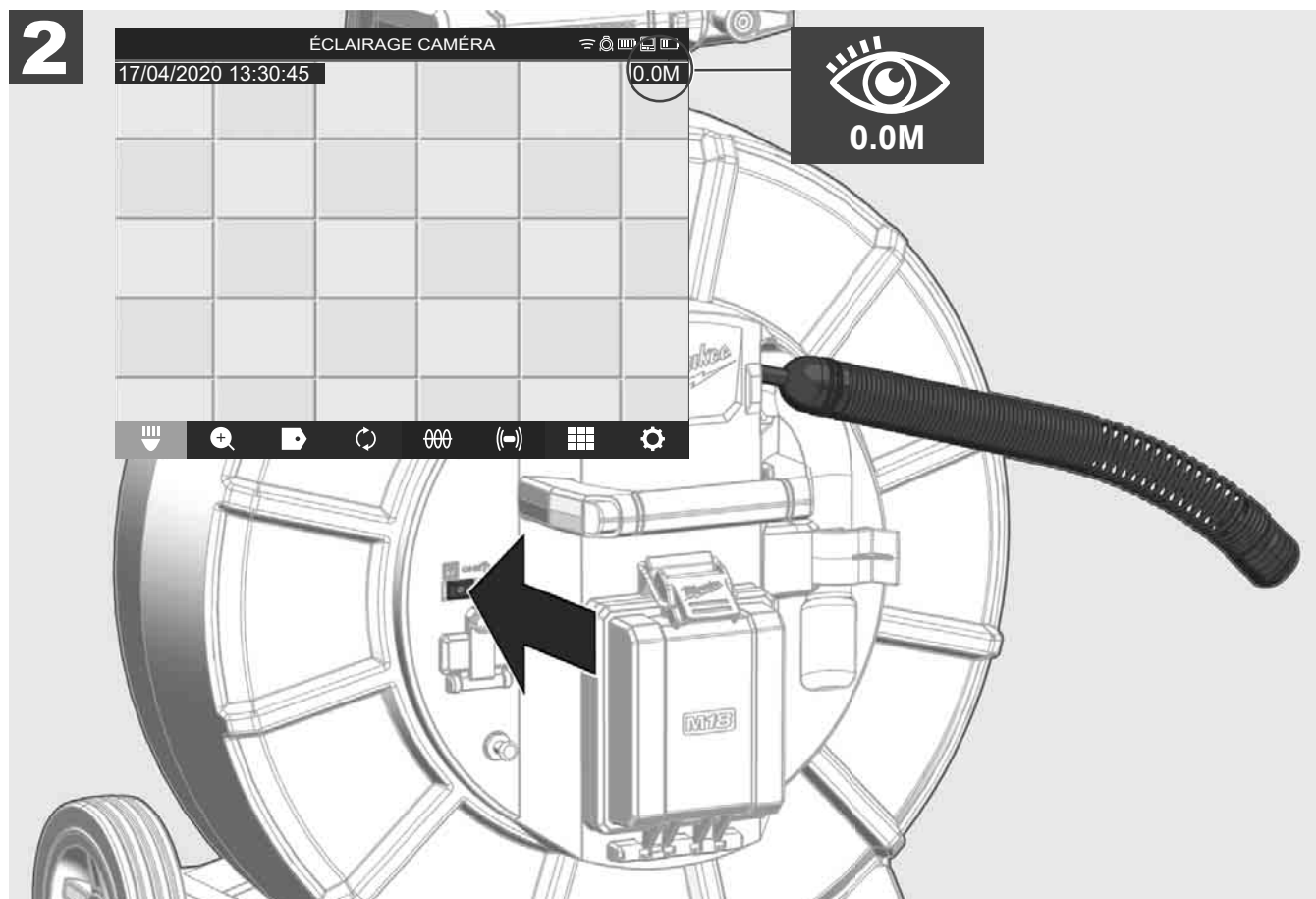
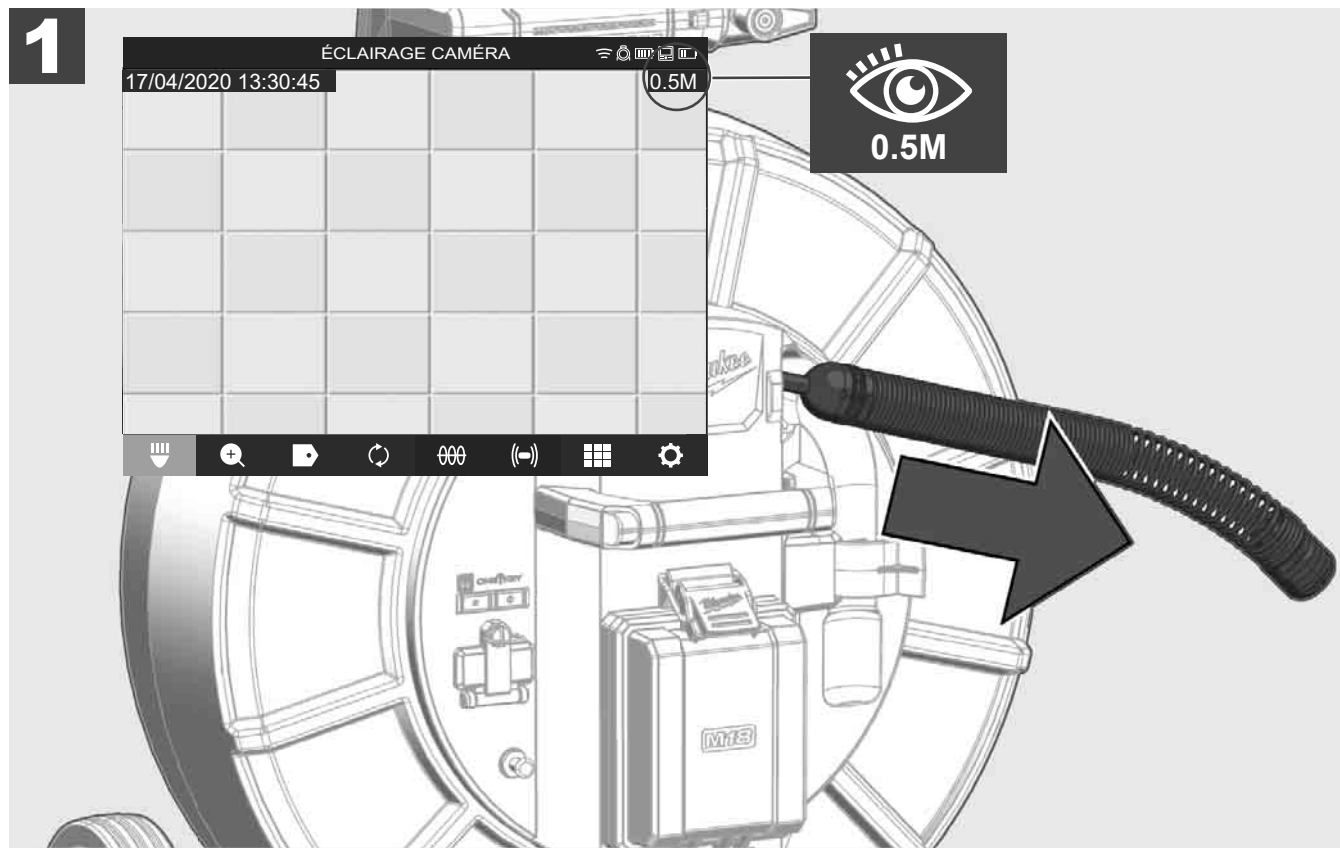


## 2.10 Remise à zéro du compteur de longueur



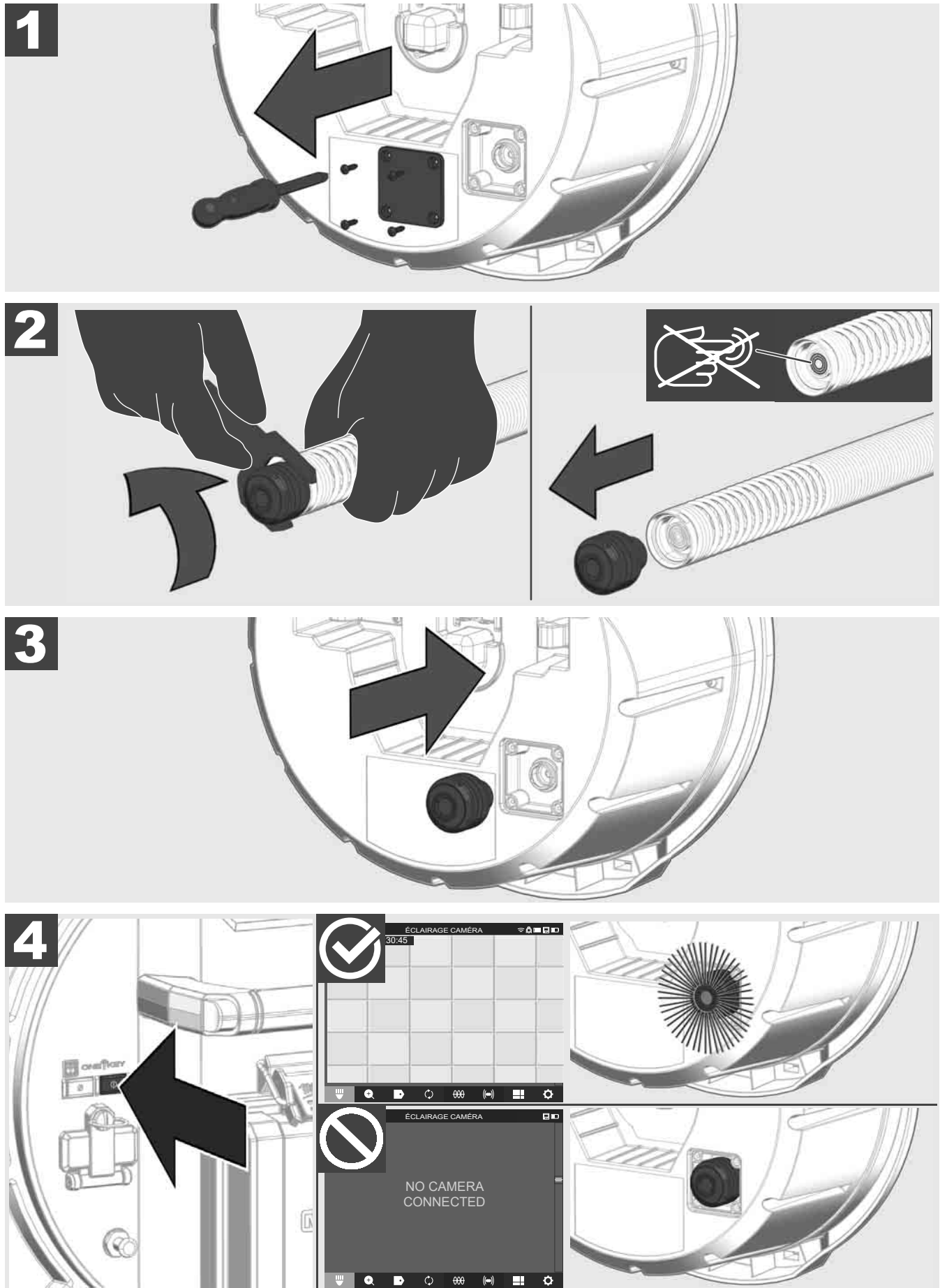
Lors du déroulage du TAMBOUR D'INSPECTION DES TUYAUX, la longueur du câble déroulé est affichée sur la barre d'état du moniteur sans fil M18 SIM.

Pour réinitialiser l'affichage, appuyer sur la touche .



## 2.11 Test de connexion de la caméra

En cas de problème avec la tête de caméra, il est possible de vérifier la caméra via le port de test.



## 2.12 Formatage du disque interne et de la clé USB

Cette fonction permet de formater le disque interne de 500 Go du Smart Hub ou la clé USB.

Les clés USB doivent être formatées au format FAT32.

1. Sélectionner **PARAMÈTRES**  **FORMATER LA MÉMOIRE**
2. Sélectionner la mémoire.



3. Confirmer le message à l'écran.



Le disque sélectionné est formaté et le système retourne au menu **PARAMÈTRES**.

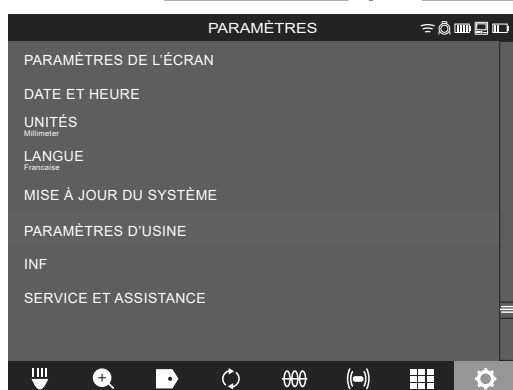
## 2.13 Paramètres d'usine

La sélection de la fonction Paramètres d'usine réinitialise le Smart Hub M18 SISH aux paramètres réglés en usine.

Les paramètres suivants du Smart Hub M18 SISH sont réinitialisés :

- Les ÉTIQUETTES sont supprimées.
- Les paramètres de la VIDÉO et de l'IMAGE sont réinitialisés à 1080 P.
- Le NOM DE LA SOCIÉTÉ est supprimé.
- La FRÉQUENCE DE LA SONDE est remise au réglage d'usine.
- Le SUIVI DU CÂBLE est remis au réglage d'usine.
- Les PARAMÈTRES DE L'ÉCRAN sont remis au réglage d'usine : Teinte, Luminosité, Contraste, Saturation.
- UNITÉS DE MESURE

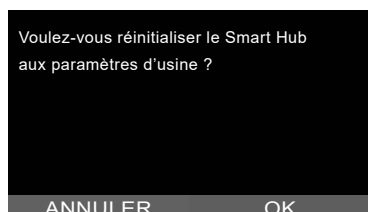
1. Sélectionner **PARAMÈTRES**  **PARAMÈTRES D'USINE**



2. Sélectionner **PARAMÈTRES D'USINE** Smart Hub M18 SISH.



3. Lire et confirmer le message de réinitialisation en cliquant sur OK.



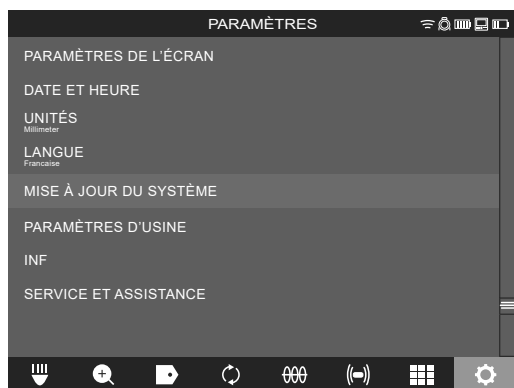
La réinitialisation aux paramètres d'usine est terminée et le système revient au sous-menu **PARAMÈTRES D'USINE**.

## 2.14 Mise à jour du système

Avant la mise à jour du système, ouvrir le menu **PARAMÈTRES** → **INFO** et noter la version actuelle du micrologiciel.

Les mises à jour du micrologiciel peuvent être effectuées soit via le moniteur sans fil M18 SIM, soit en utilisant une tablette avec l'application INSPECTION DES TUYAUX Milwaukee®.

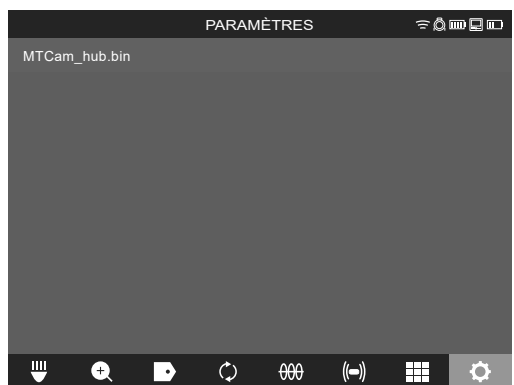
1. Allumer le Smart Hub M18 SISH et le moniteur sans fil M18 SIM ou la tablette avec l'application INSPECTION DES TUYAUX Milwaukee®.
2. S'assurer que le moniteur sans fil M18 SIM ou la tablette est connecté(e) au Smart Hub M18 SISH via Wi-Fi. S'il n'y a pas de connexion Wi-Fi, commencer par en établir une.
3. Insérer la clé USB avec la mise à jour du micrologiciel dans le port USB-A du Smart Hub M18 SISH.
4. Sélectionner **PARAMÈTRES** → **MISE A JOUR DU SYSTÈME**



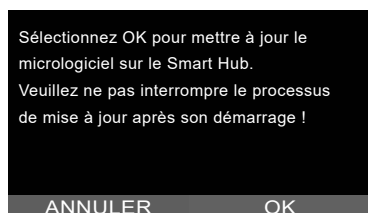
5. Sélectionner Smart Hub M18 SISH.



6. Le nom de fichier de la mise à jour s'affiche à l'écran. Sélectionner **NOM DE FICHER** pour lancer la mise à jour.



7. Lire et confirmer le message d'avertissement en cliquant sur OK.





8. L'avancement de la mise à jour est indiqué au moyen d'une barre de progression.



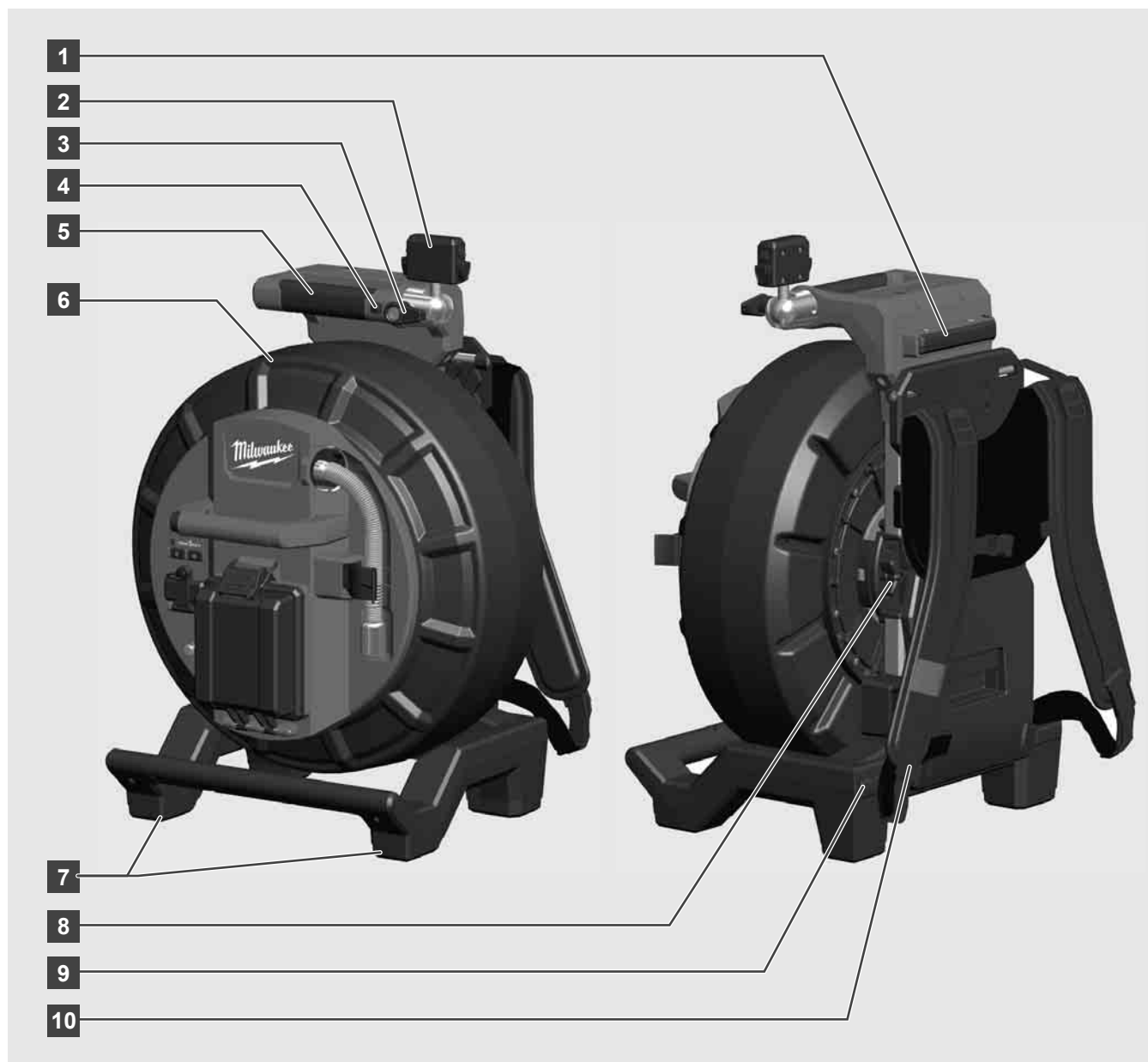
9. À la fin de la mise à jour, un message s'affiche. Celui-ci doit être confirmé. Sélectionner OK pour redémarrer le système.



10. Sélectionner **PARAMÈTRES** → **INFO** pour vérifier si la version du micrologiciel a été mise à jour.

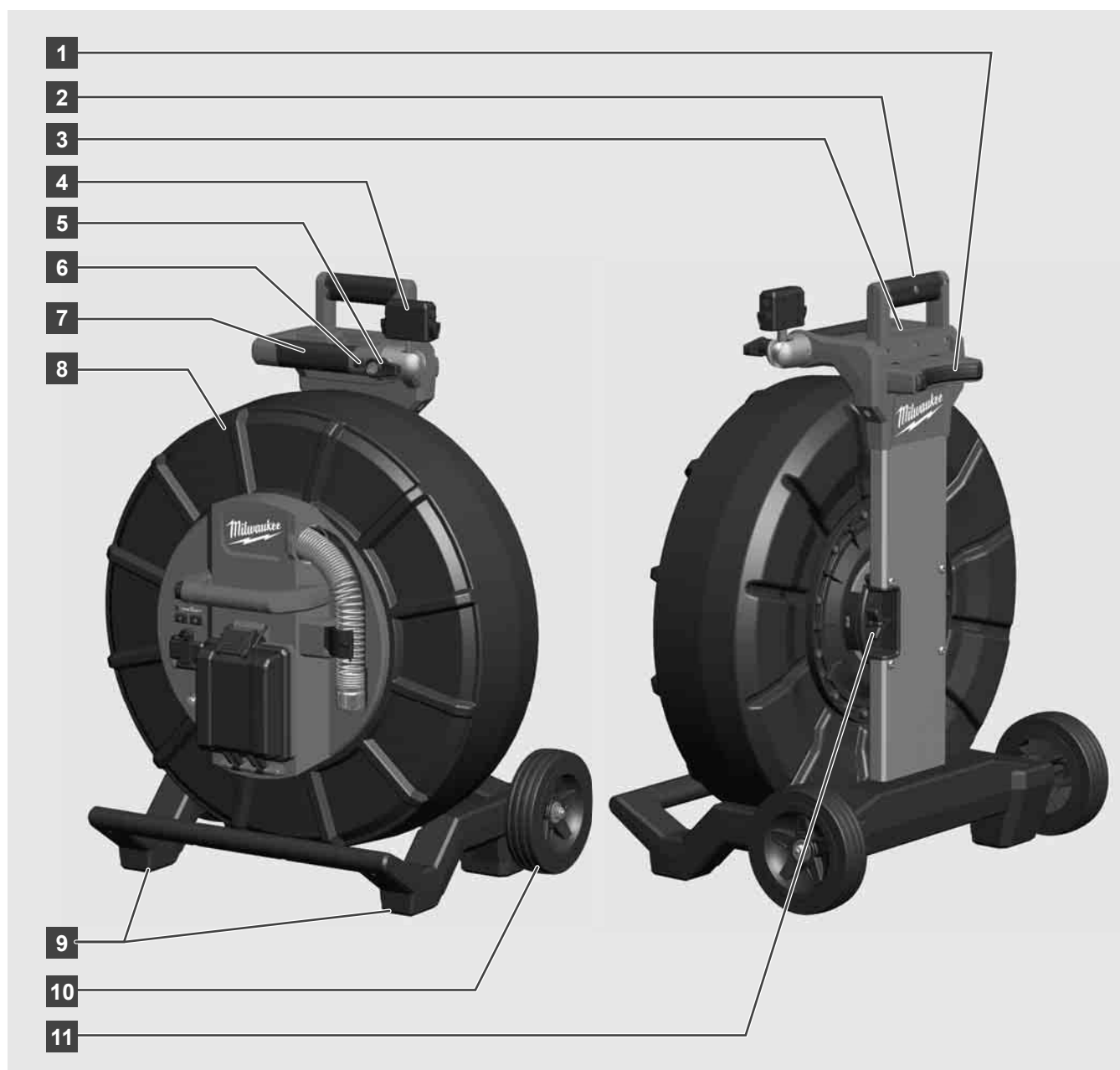
## 3 TAMBOURS D'INSPECTION DES TUYAUX

### 3.1 Aperçu du tambour d'inspection des tuyaux M18 SIC36



- 1 Pied réglable pour une utilisation horizontale
- 2 Moniteur sans fil M18 SIM – Support et connecteur de tablette
- 3 Moniteur sans fil M18 SIM – Blocage de la rotation
- 4 Moniteur sans fil M18 SIM – Verrouillage de l'inclinaison
- 5 Poignée
- 6 Tambour à câble avec câble de poussée
- 7 Pied ajustable pour une utilisation verticale
- 8 Frein à tambour de câble
- 9 Pied réglable pour une utilisation horizontale
- 10 dispositif de support

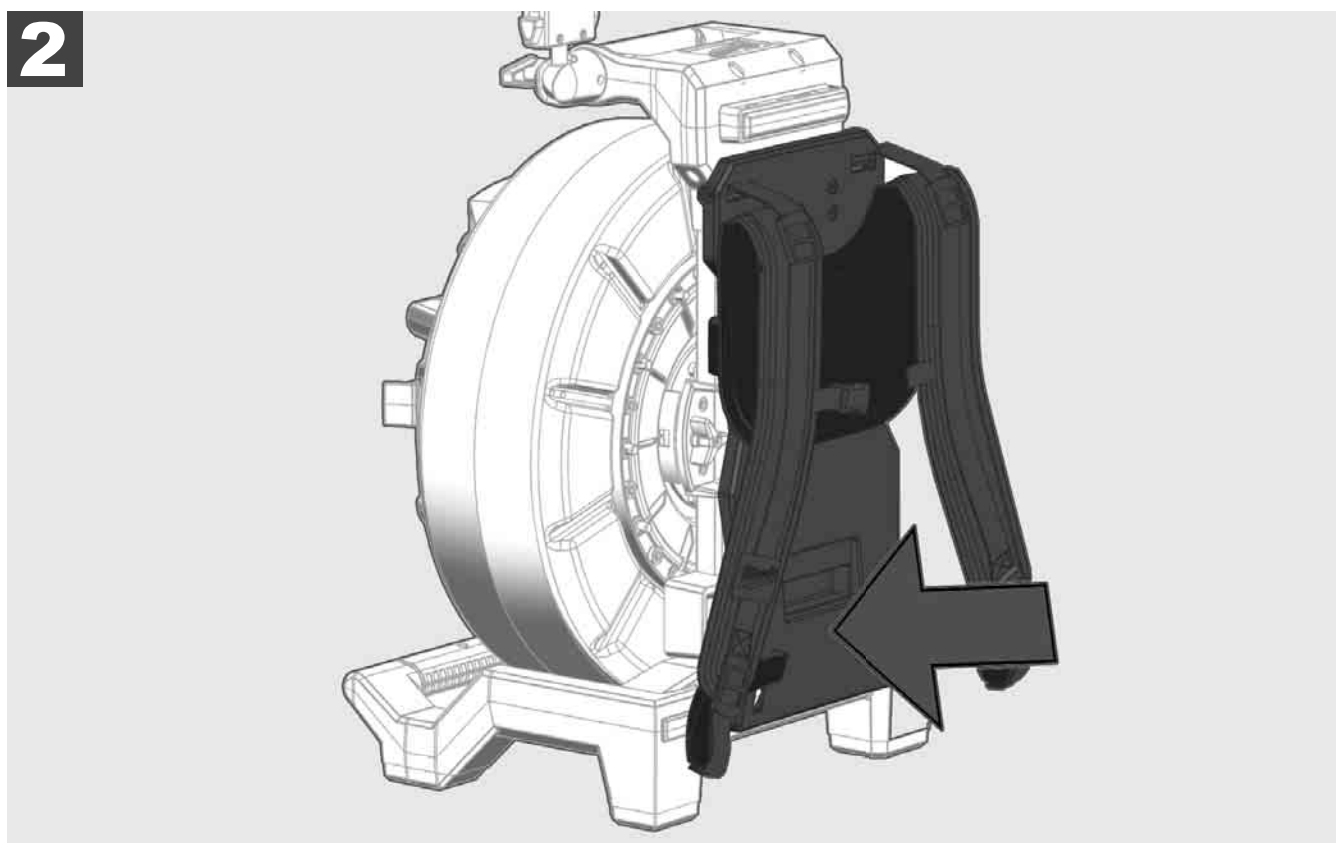
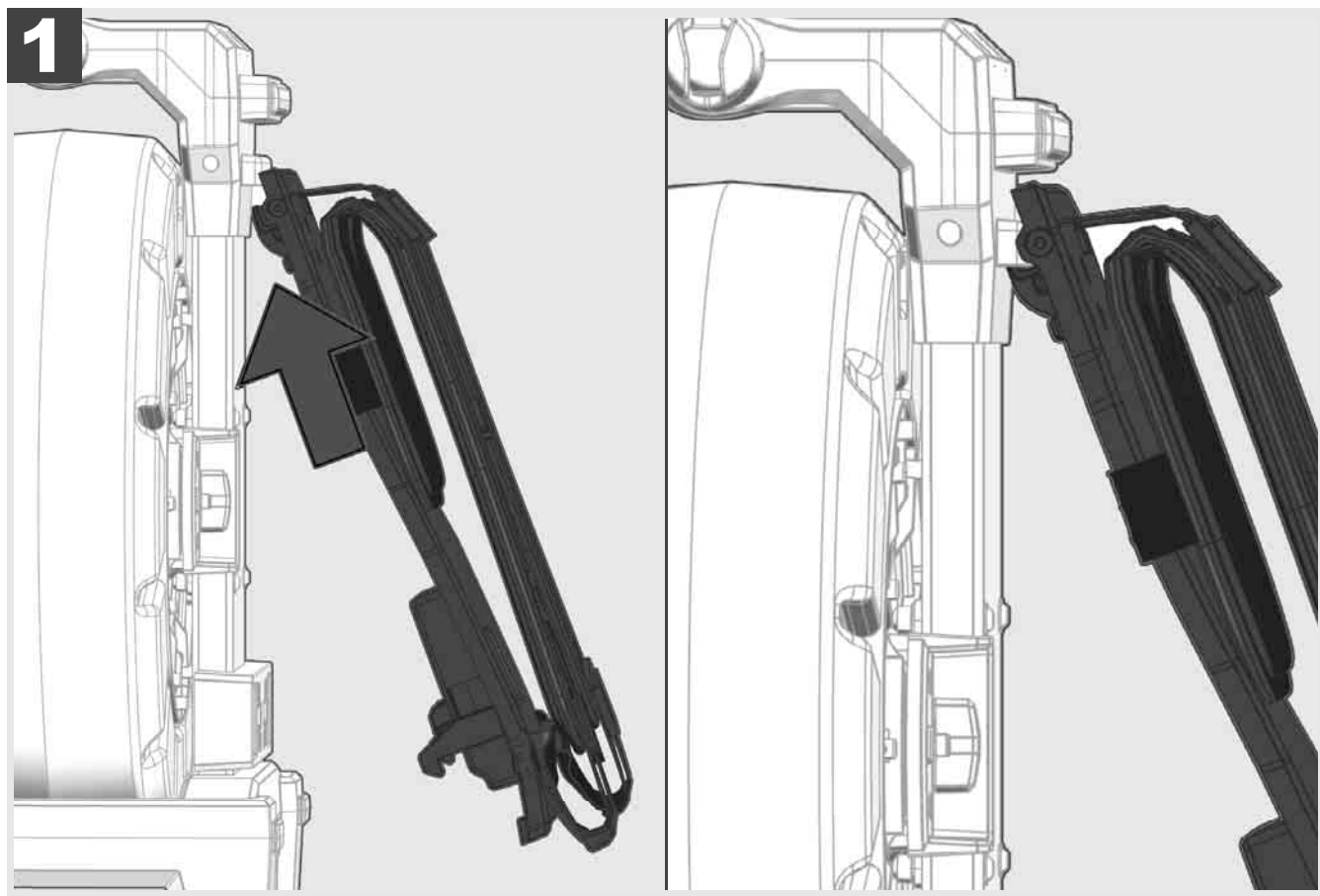
### 3.2 Aperçu du tambour d'inspection des tuyaux M18 SIC60



- 1 Pied réglable pour une utilisation horizontale
- 2 Poignée extensible (en position rétractée)
- 3 Bouton de verrouillage et de déverrouillage de la poignée extensible
- 4 Moniteur sans fil M18 SIM - Support/Support et connecteur de tablette
- 5 Moniteur sans fil M18 SIM - Dispositif anti-rotation
- 6 Moniteur sans fil M18 SIM - Dispositif anti-basculement
- 7 Poignée
- 8 Tambour à câble avec câble de poussée
- 9 Pied ajustable pour une utilisation verticale
- 10 Roues
- 11 Frein à tambour de câble

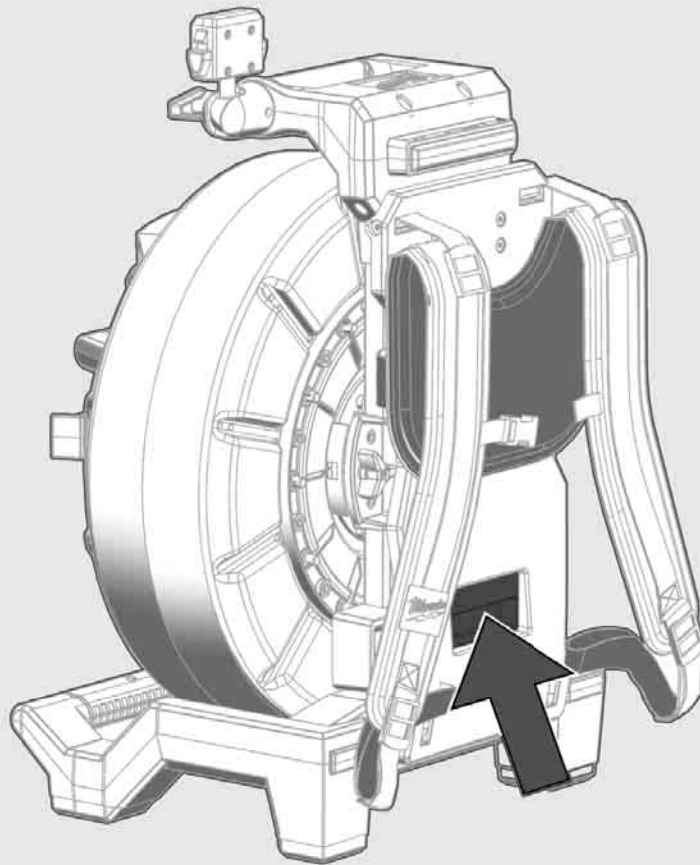
### 3.3 Installation du dispositif de transport

Le tambour d'inspection des tuyaux M18 SIC36 est équipé d'un dispositif de transport qui permet de porter le tambour sur le dos comme un sac à dos. Il est ainsi facile de transporter le petit tambour sur le lieu d'utilisation, ce qui est particulièrement pratique pour monter des escaliers ou utiliser des échelles.

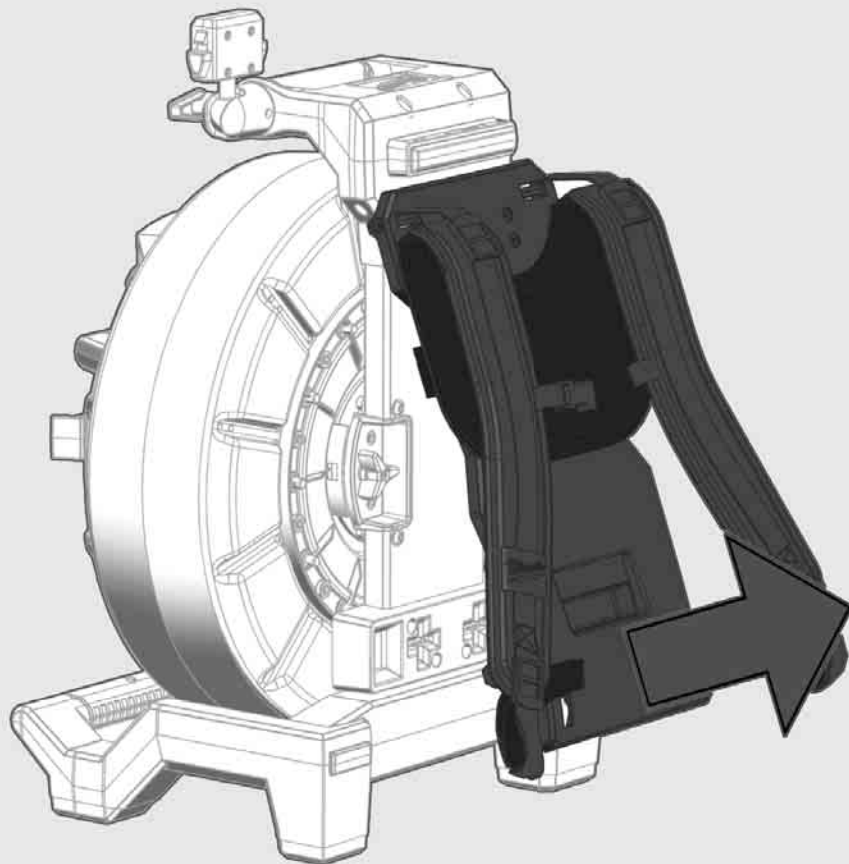


Fixer le dispositif de transport en haut et le presser contre le dessous avec la paume de la main jusqu'à ce qu'il s'enclenche. Tirer brièvement sur le dispositif de transport pour s'assurer qu'il est bien verrouillé.

**1**

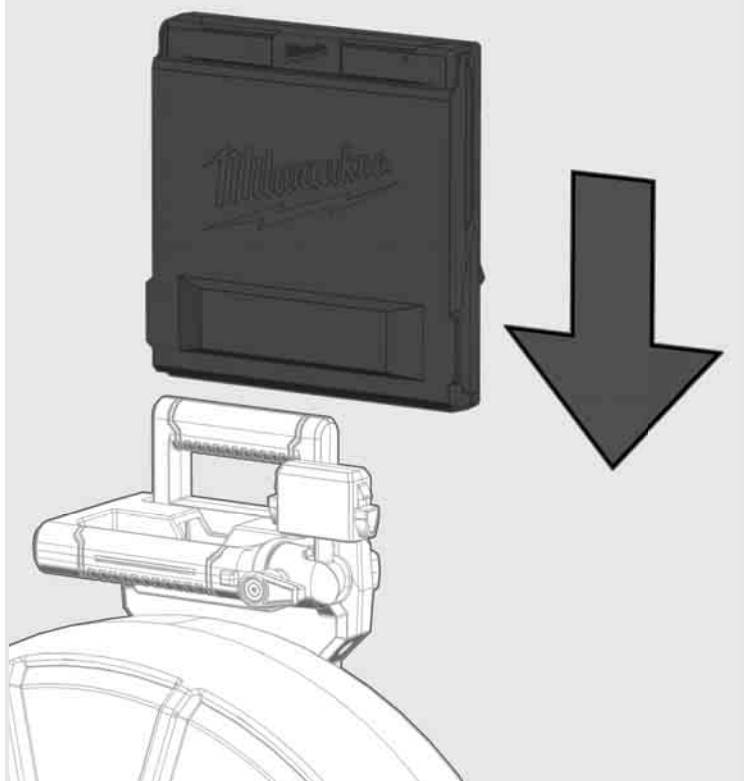


**2**

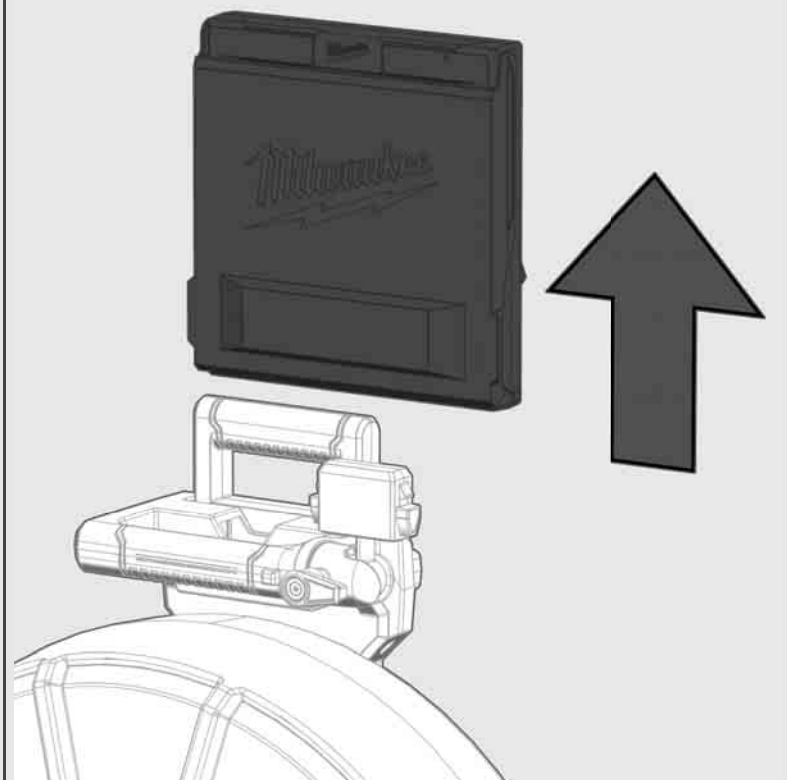
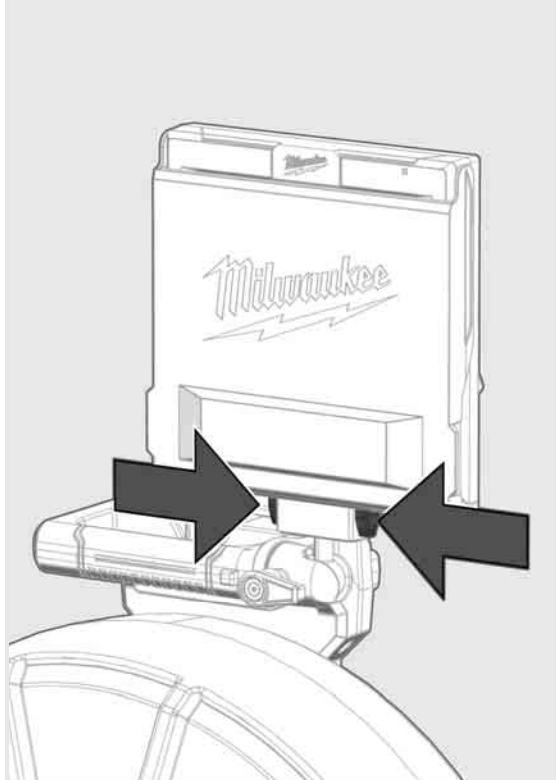


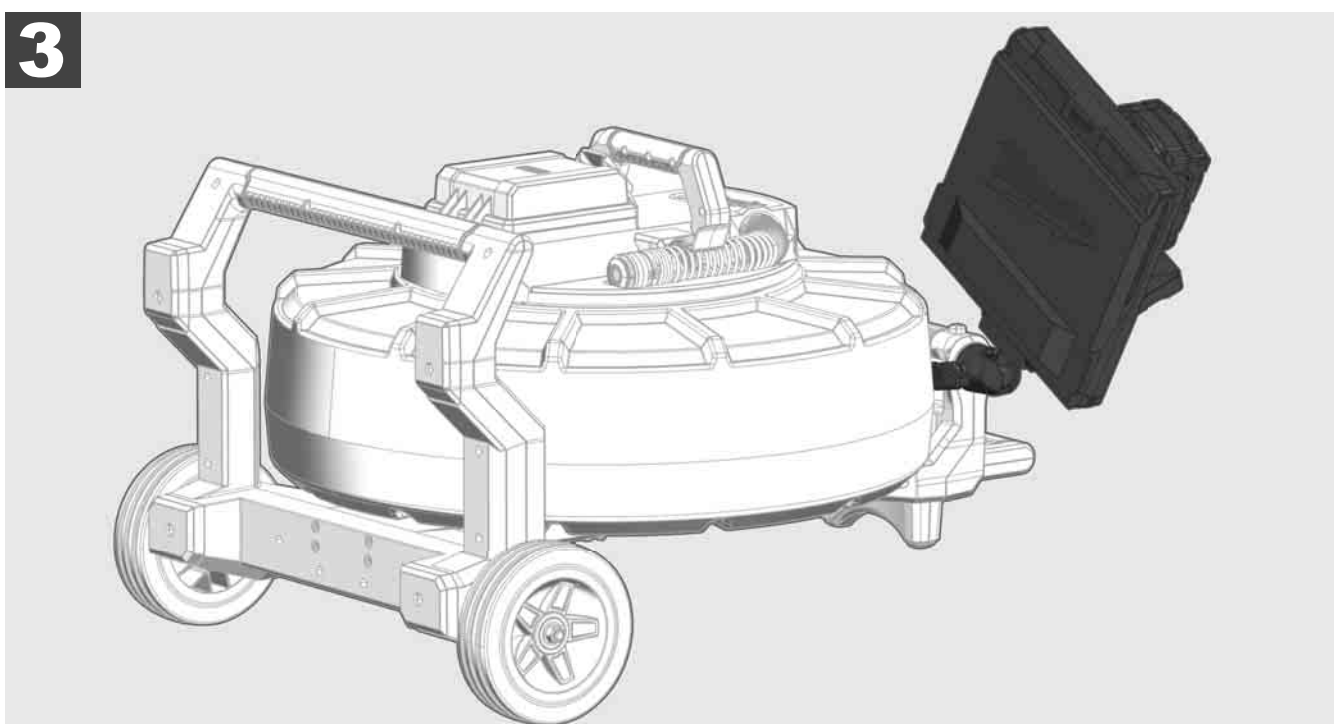
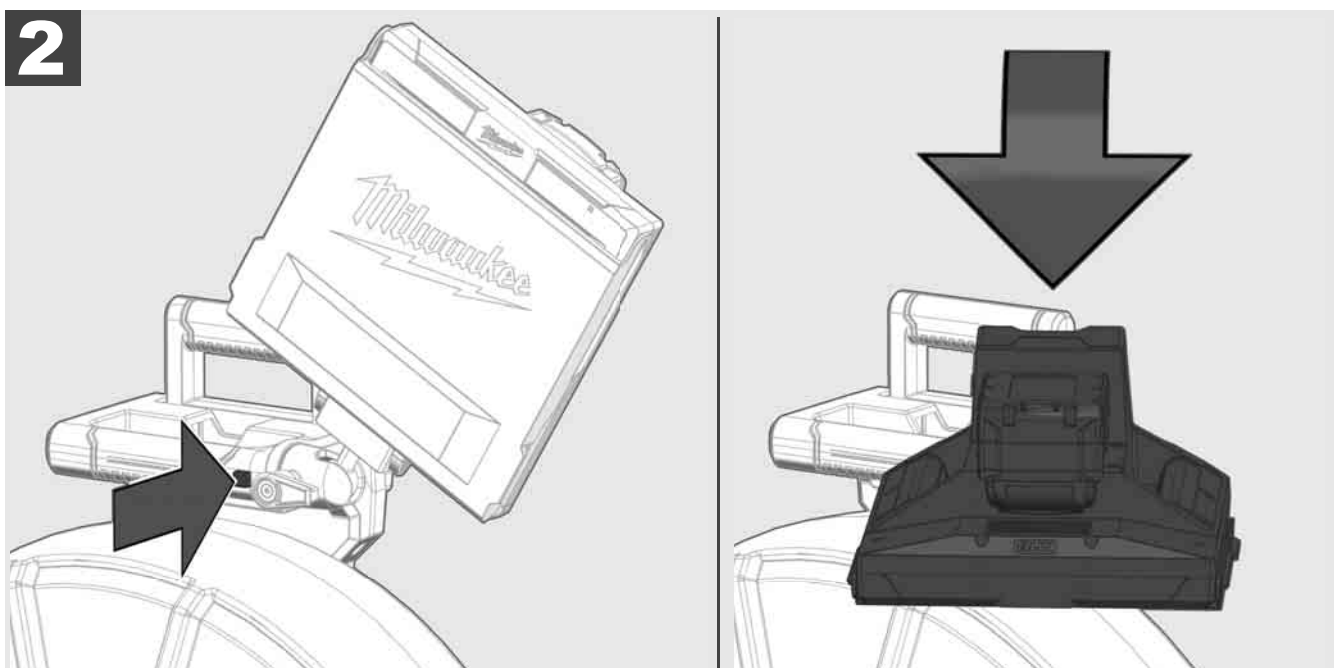
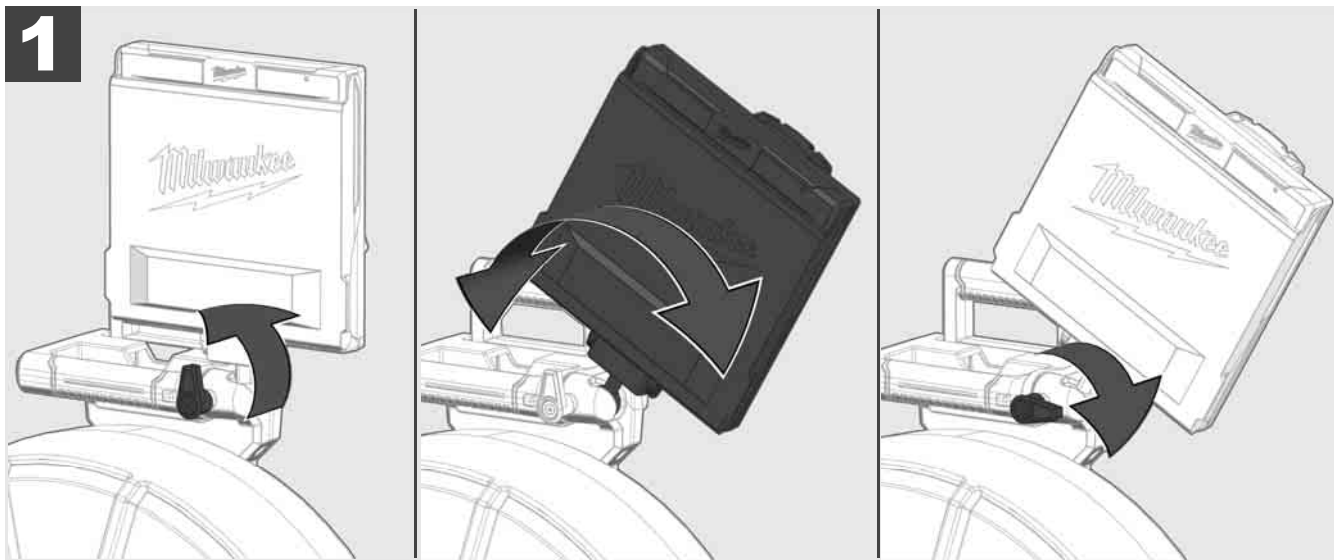


**1**



**2**





### 3.7 Utilisation du tambour d'inspection des tuyaux



Vérifier que le câble de poussée ne présente pas de signes d'usure – Vérifier que le câble ne présente pas de coupures, de torsions et d'abrasions lors du rembobinage. Si la gaine est tellement usée que la tresse de Kevlar jaune ou blanche est visible, le câble de poussée doit être remplacé. Lors de l'utilisation d'un câble de poussée dont la gaine est endommagée, de l'eau et de l'humidité peuvent pénétrer dans le câble, ce qui peut affecter la qualité des images de la caméra ou entraîner une défaillance de celle-ci.

La figure ci-dessous montre des exemples de gaines de protection gravement endommagées. Remplacer ces câbles de poussée dès que possible.

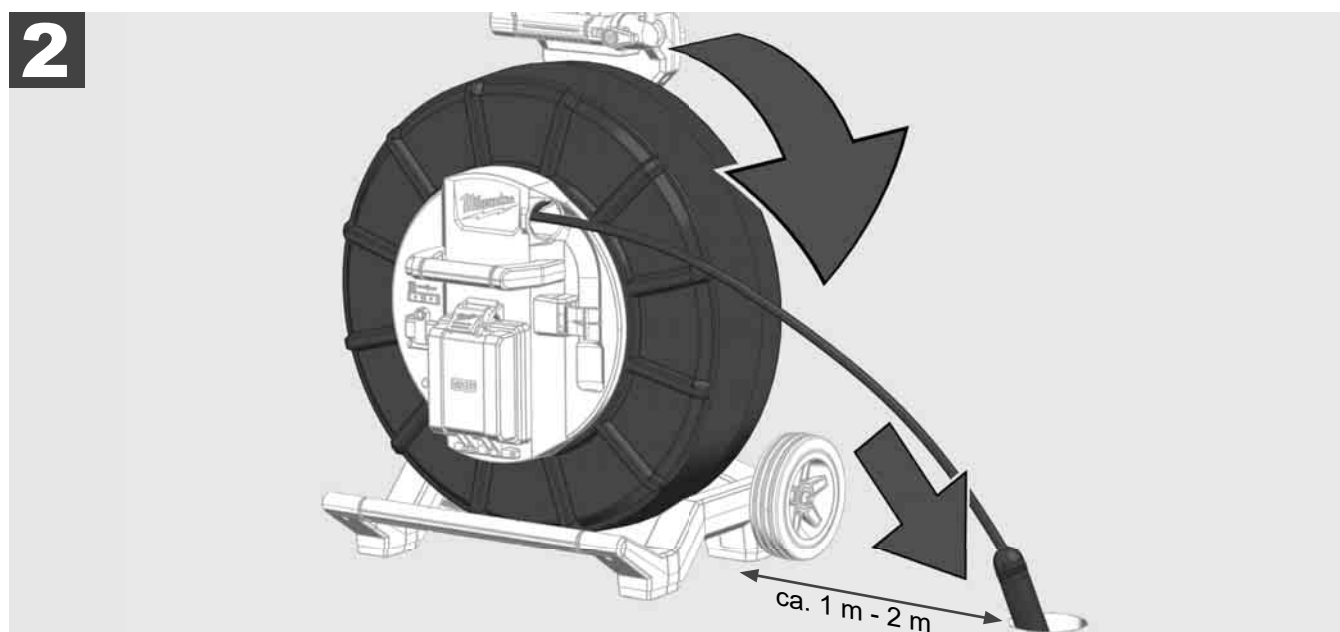
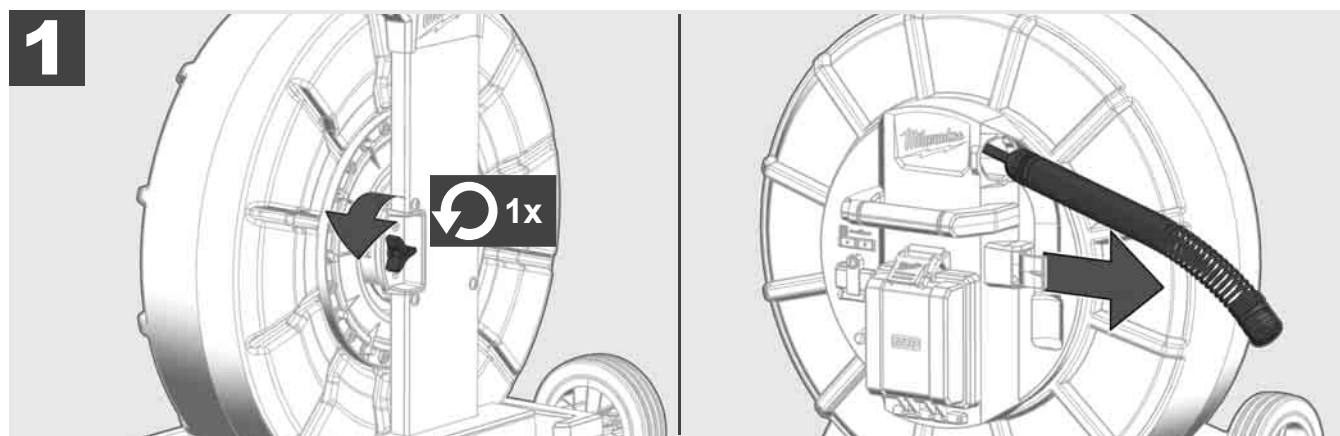


Garder toujours le câble de poussée et le ressort secs et propres – Nettoyer toujours le câble avec un chiffon propre et sec lors de son enroulement. À la fin d'une journée de travail, soigneusement nettoyer la tête de caméra et l'ensemble du ressort à l'eau courante pour éliminer tout résidu de saleté. Secouer ou souffler l'excès d'eau avec de l'air à basse pression, puis sécher les pièces. La tête de caméra, le câble de poussée et les pièces de connexion sont exposés à des produits chimiques agressifs lors de leur utilisation quotidienne. Un nettoyage minutieux du système prolongera la durée de vie de ces pièces.

Manipuler le câble de poussée avec précaution – Ne tirer pas le câble de poussée hors du tambour verrouillé, sinon, le câble sera comprimé à l'intérieur du tambour et sera soumis à une tension excessive. Le fait de faire glisser le câble de poussée dans le tambour verrouillé peut entraîner le basculement ou le pliage du câble.

Placer le tambour sur un sol plat à environ 1 à 2 mètres du point d'entrée. Cela laisse suffisamment d'espace pour manipuler le câble sans tirer sur les boucles de câble sur le sol. Si nécessaire, appliquer le frein à friction pour ralentir le mouvement du câble de poussée.

Si le tambour est utilisé en position horizontale, la surface entre les pieds augmente. Le tambour est ainsi plus stable sur un sol inégal et sa hauteur est réduite, ce qui est un avantage dans les espaces confinés.





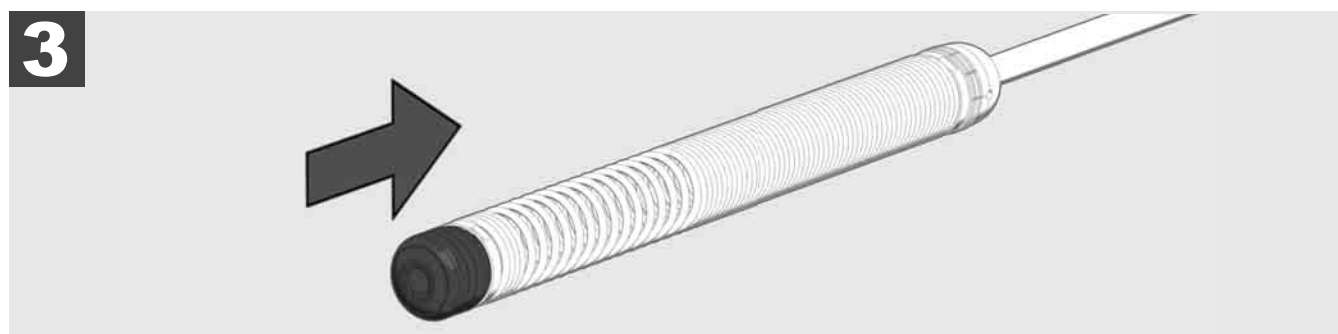
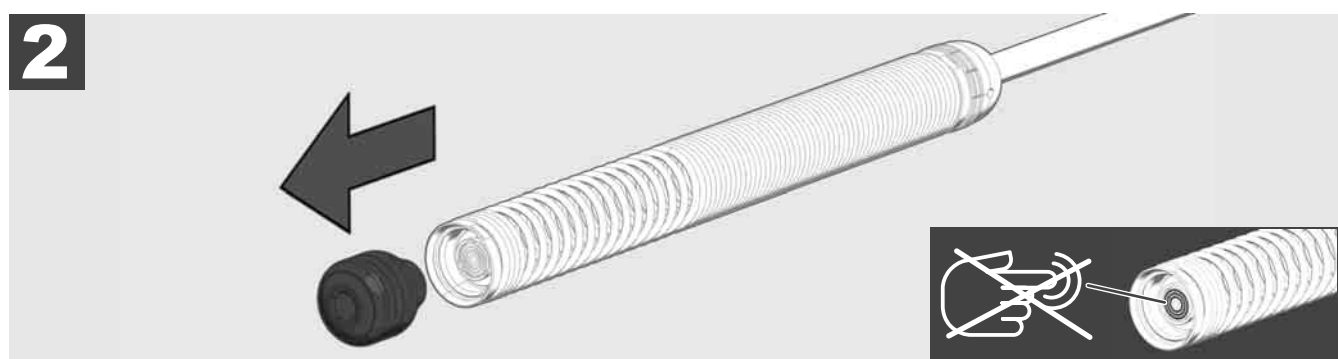
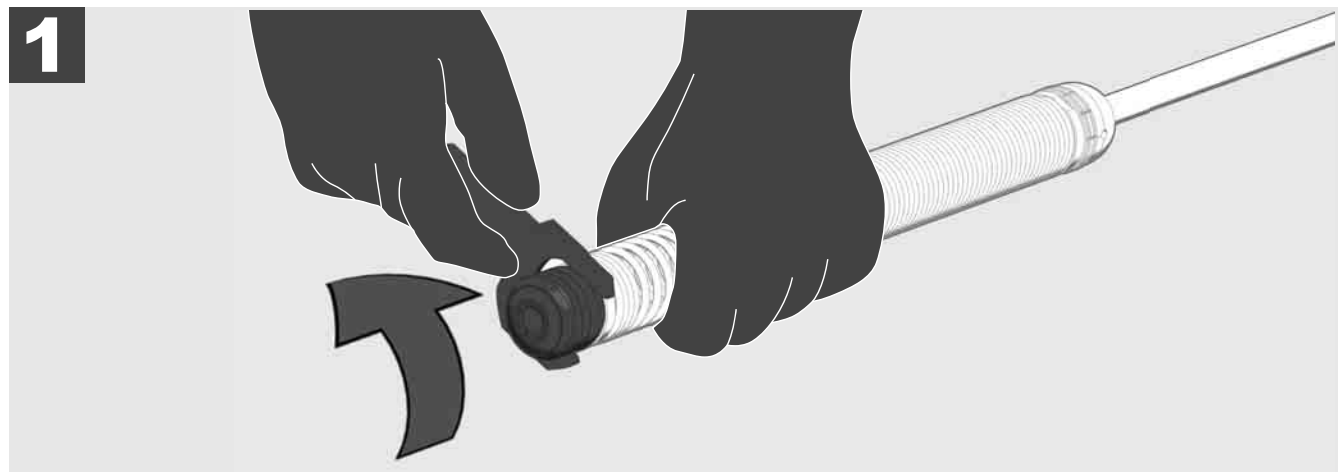
### 3.8 Module de tête de caméra



Si possible, ne pas toucher à mains nues la carte de circuit imprimé verte ou les contacts dorés de l'ensemble à ressort ou de la tête de caméra, sinon, la couche de graisse présente sur les doigts sera transférer à ces composants, ce qui peut entraîner leur corrosion prématurée. Dans la mesure du possible, porter des gants en caoutchouc propres et secs.

Avant de retirer la tête de caméra, l'essuyer et enlever toute saleté qui pourrait tomber dans la zone de connexion de l'appareil.

Ne pas serrer trop fort et ne pas utiliser la force de façon excessive !



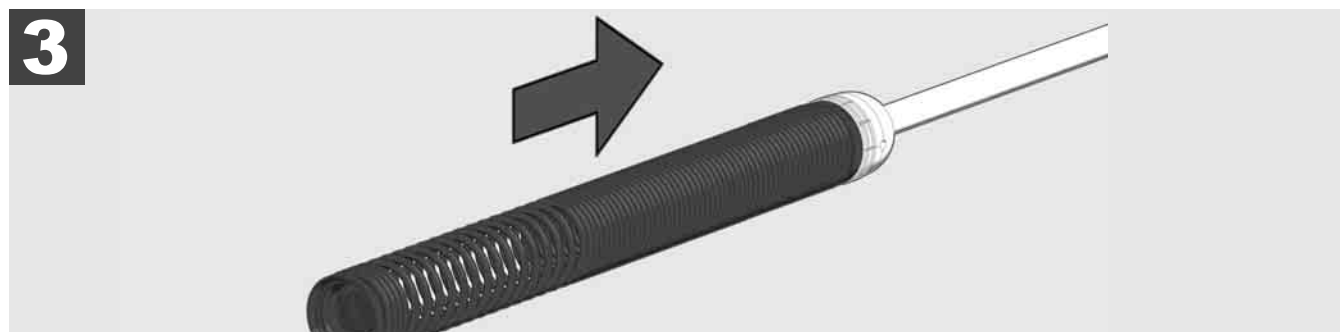
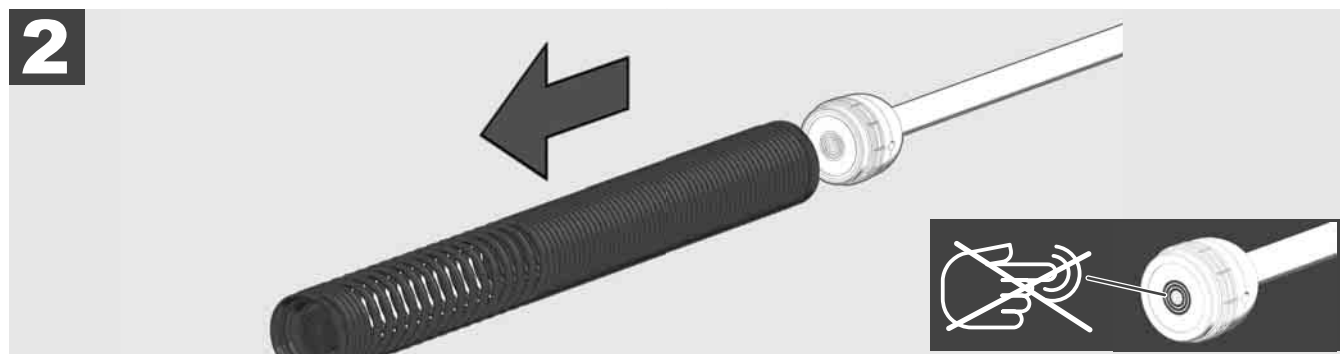
### 3.9 Ensemble à ressort



Si possible, ne pas toucher à mains nues la carte de circuit imprimé verte ou les contacts dorés de l'ensemble à ressort ou de la tête de caméra, sinon, la couche de graisse présente sur les doigts sera transférer à ces composants, ce qui peut entraîner leur corrosion prématurée. Dans la mesure du possible, porter des gants en caoutchouc propres et secs.

Avant de retirer la tête de caméra, l'essuyer et enlever toute saleté qui pourrait tomber dans la zone de connexion de l'appareil.

Ne pas serrer trop fort et ne pas utiliser la force de façon excessive !



### 3.10 Cache de protection de la caméra

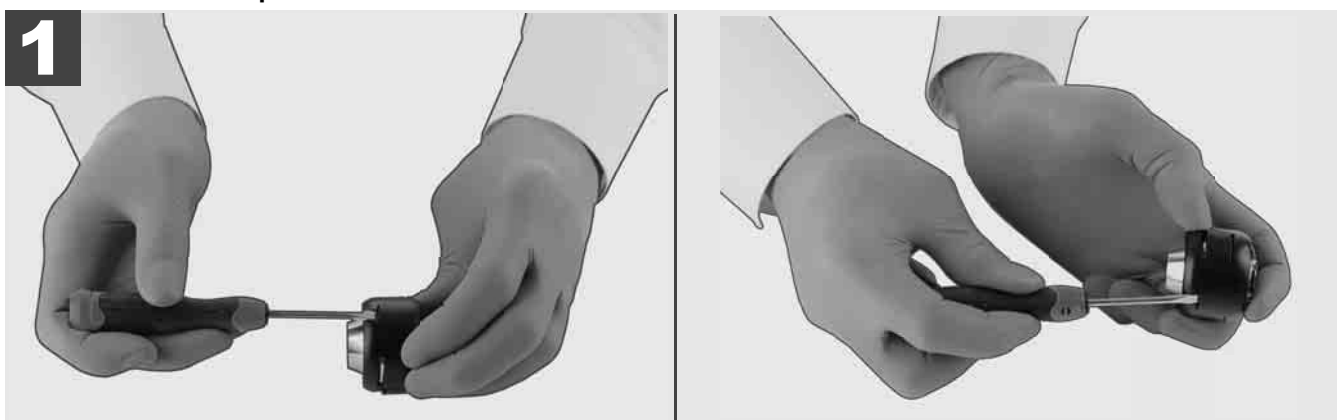


Caches de protection – Adaptés aux têtes de caméra de 25 mm ou 34 mm de diamètre. Ces caches de protection sont fournis avec tous les TAMBOUR D'INSPECTION DES TUYAUX ou les têtes de caméra de rechange.

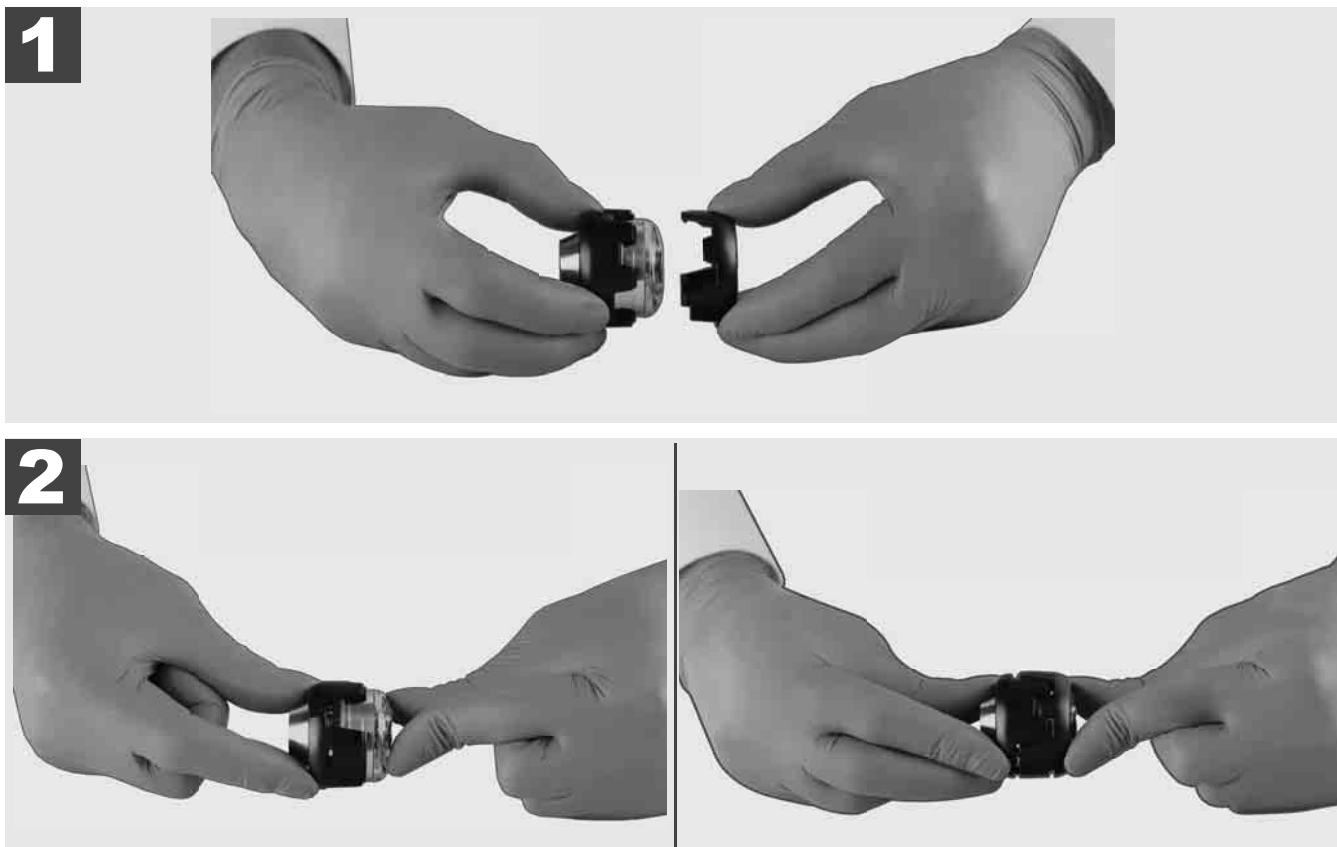
Guides – Ils sont montés sur l'ensemble à ressort pour permettre à la tête de la caméra de se déplacer sur le sol et de ne pas entrer en contact directement avec le tuyau.



#### Retrait du cache de protection



#### Installation du cache de protection



### 3.11 Guides de caméra



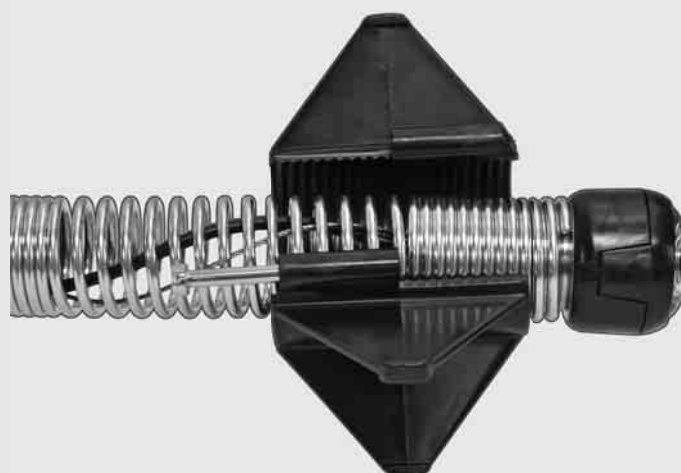
Deux guides sont disponibles pour les têtes de caméra de 25 mm et 34 mm de large : Une version petite avec 75 mm et une version moyenne avec 100 mm.

Guide de caméra 25 mm

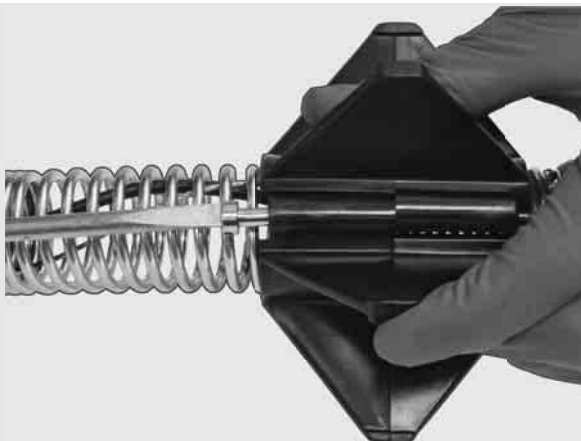
Guide de caméra 34 mm



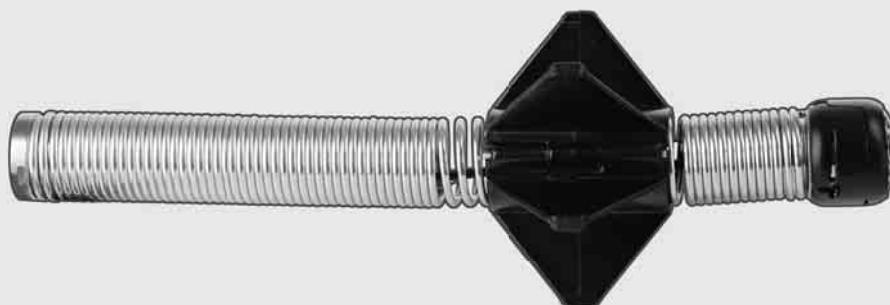
**1**



**2**




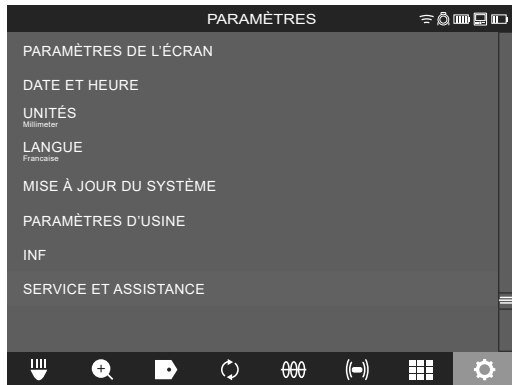
**3**



### 3.12 Service et assistance


Si le SYSTÈME D'INSPECTION DES TUYAUX nécessite une réparation, consulter la page SERVICE ET ASSISTANCE à la page Service pour connaître les outils de Milwaukee avec tous les numéros de téléphone importants.

Sélectionner **PARAMÈTRES**  → **SERVICE ET ASSISTANCE**




**Milwaukee**  
Nothing but **HEAVY DUTY**®

click →



**M18 SIC36**  
**M18 SIC60**  
**M18 SISH**

click →



**M18 SIM**

click

1	Indicazioni generali .....	2
1.1	Norme di sicurezza particolari per sistemi di ispezione tubi .....	2
1.2	Ulteriori avvisi di sicurezza e di lavoro .....	2
1.3	Dati tecnici.....	3
1.4	Utilizzo conforme.....	3
1.5	Requisiti di radiofrequenza per impianti europei.....	3
1.6	Dichiarazione CE di conformità.....	4
1.7	ONE-KEY™ .....	4
1.8	Batterie.....	4
1.9	Trasporto di batterie agli ioni di litio .....	4
1.10	Manutenzione .....	4
1.11	Simboli .....	5
2	Smart Hub M18 SISH .....	6
2.1	Panoramica Smart Hub M18 SISH .....	6
2.2	Inserimento e rimozione della batteria .....	7
2.3	Controllo del livello di carica della batteria .....	8
2.4	Inserimento Smart Hub M18 SISH .....	9
2.5	Rimozione Smart Hub M18 SISH .....	10
2.6	Interruttore On / Off.....	11
2.7	Collegamento del monitor .....	12
2.8	Porte USB .....	13
2.9	Asta di messa a terra .....	14
2.10	Azzeramento del contatore di lunghezza .....	15
2.11	Connessione di test telecamera .....	16
2.12	Formattazione dell'unità di memoria interna e della chiavetta USB.....	17
2.13	Impostazioni di fabbrica .....	18
2.14	Aggiornamento del sistema .....	19
3	ASPI AVVOLGICAVO PER ISPEZIONE TUBI .....	21
3.1	Panoramica aspo avvolgicavo per ispezione tubi M18 SIC36 .....	21
3.2	Panoramica aspo avvolgicavo per ispezione tubi M18 SIC60 .....	22
3.3	Installazione del dispositivo di trasporto .....	23
3.4	Rimozione del dispositivo di trasporto .....	24
3.5	Installazione del monitor wireless M18 SIM .....	25
3.6	Impostazione del monitor wireless M18 SIM .....	26
3.7	Uso dell'aspo avvolgicavo per ispezione tubi .....	27
3.8	Gruppo testina telecamera .....	28
3.9	Gruppo molla .....	29
3.10	Coperchio di protezione della telecamera .....	30
3.11	Guide per la telecamera .....	31
3.12	Servizio e assistenza .....	32

## 1.1 Norme di sicurezza particolari per sistemi di ispezione tubi

In caso di lavori su tubi, assicurarsi che i tubi non siano sotto tensione o siano caricati elettricamente. I tubi non devono contenere liquidi. La telecamera e il dispositivo non devono entrare in contatto con liquidi.

La telecamera e il cavo non devono entrare in contatto con olio, gas o altri materiali corrosivi.

Per ridurre il rischio d'esplosione, di folgorazione elettrica e di danni alle cose, prima di ogni intervento controllare l'area di lavoro. Il cavo non deve entrare in contatto con componenti elettrici, prodotti chimici o parti mobili.

Per ridurre il rischio di danni al dispositivo, non applicare eccessiva forza e non piegare il cavo ad angolo vivo. Non usare la telecamera d'ispezione e il cavo in zone dove potrebbero entrare in contatto con sostanze corrosive o oleose.

Non usare il cavo per rimuovere intasamenti o ostacoli. Non è uno sturatore!

Se il tubo di scarico potrebbe contenere prodotti chimici, batteri o altre sostanze tossiche e/o agenti patogeni, indossare sotto i guanti di protezione consigliati dal produttore dei guanti di lattice o di gomma oltre agli occhiali di protezione, protezione per il viso, indumenti di protezione e maschera respiratoria. Le tubature possono contenere prodotti chimici, batteri o altre sostanze che potrebbero essere tossiche, patogene o che potrebbero causare ustioni o altre lesioni gravi.

Rispettare le norme in materia di igiene. Non mangiare e non fumare mentre si sta usando il dispositivo. Dopo aver manipolato o utilizzato dispositivi per l'ispezione di tubature, lavare sempre le mani ed altre parti del corpo entrate in contatto con il contenuto delle tubature con acqua calda e sapone. In questo modo si evitano rischi per la salute dovuti al contatto con sostanze tossiche o patogene.

Controllare il cavo prima dell'uso per constatare eventuali tracce di usura o danni. Se il cavo è consumato o danneggiato, deve essere sostituito prima dell'uso del dispositivo.

**ATTENZIONE!** Prestare attenzione durante il trasporto del sistema di ispezione tubi utilizzando il dispositivo di trasporto a zaino. Sussiste il rischio di perdere l'equilibrio.

Utilizzare il dispositivo sempre con attenzione e con prudenza. E' impossibile prevedere tutte le situazioni di pericolo. Non utilizzare questo dispositivo se non si capiscono le presenti istruzioni o se non ci si sente all'altezza del lavoro. Contattare Milwaukee o un professionista qualificato per maggiori informazioni o corsi di formazione.

Non rimuovere etichette e targhette. Le targhette contengono informazioni importanti. Qualora queste targhette informative non fossero più leggibili o mancanti, si prega di contattare il servizio clienti di MILWAUKEE per ottenere una sostituzione gratuita.

Alcune polveri prodotte dalle macchine rettificatrici, troncatrici nonché da seghe e trapani o da altre attività di costruzione possono contenere sostanze chimiche che sono cancerogene, causano difetti congeniti o compromettono la fertilità. Esempi di questo tipo di sostanze chimiche sono:

- piombo da vernici a base di piombo,
- biossido di silicio cristallino da mattoni, cemento o altri prodotti per muratura, e
- arsenico o cromo da legno trattato chimicamente.

Il rischio di esposizione dipende dalla frequenza con cui si svolge questo tipo di attività. Per ridurre al minimo il rischio di esposizione, lavorare sempre in ambienti ben ventilati. Indossare dispositivi di protezione ufficialmente approvati, come maschere antipolvere con filtri per microparticelle.

## 1.2 Ulteriori avvisi di sicurezza e di lavoro

Non sostituire la batteria se la superficie dell'utensile è bagnata.

Non gettare le batterie esaurite sul fuoco o nei rifiuti domestici. Milwaukee offre infatti un servizio di recupero batterie usate.

Nel vano d'innesto per la batteria del caricatore non devono entrare parti metalliche (pericolo di cortocircuito).

Ricaricare le batterie del sistema M18 esclusivamente con i caricatori del sistema M18. Non usare batterie di altri sistemi.

In caso di carico estremo o di temperature estreme, è possibile che fuoriesca acido dalle batterie danneggiate. In caso di contatto con l'acido delle batterie, lavararlo via immediatamente con acqua e sapone. In caso di contatto con gli occhi risciacquare immediatamente ed accuratamente con acqua per almeno 10 minuti e consultare subito un medico.

**Attenzione!** Per ridurre il rischio d'incendio, di lesioni o di danni al prodotto causati da corto circuito, non immergere mai il dispositivo, la batteria o il caricatore in un liquido e non lasciare mai penetrare alcun liquido al

loro interno. I fluidi corrosivi o conduttori come acqua salata, alcuni agenti chimici, agenti candeggianti o prodotti contenenti agenti candeggianti potrebbero provocare un corto circuito.

Questo dispositivo non deve essere usato o pulito da persone con capacità fisiche, sensoriali o mentali ridotte o con mancanza di esperienza o conoscenza, salvo che vengano istruite nella gestione in sicurezza del dispositivo da persona giuridicamente responsabile della loro sicurezza. Le persone di cui sopra dovranno essere sorvegliate durante l'uso del dispositivo. Questo dispositivo non deve essere maneggiato da bambini. Per questo motivo, quando non viene usato, deve essere conservato in sicurezza al di fuori della portata di bambini.

### 1.3 Dati tecnici

	M18 SIC36	M18 SIC60	M18 SISH
Lunghezza cavo telecamera .....	36 m.....	60 m	
Testina telecamera .....	Ø 25 mm.....	Ø 34 mm	
Ingrandimento max. ....	4x .....	4x	
Tensione batteria.....			18 V
Peso secondo la procedura EPTA 01/2014 (4.0 Ah / 12 Ah)...	12,4 kg.....	20,46 kg.....	5,37 kg
Banda (bande) di frequenza Bluetooth .....			2402-2480 MHz
Potenza ad alta frequenza .....			1,8 dBm
Versione Bluetooth .....			4.0 BT signal mode
Temperatura ambiente consigliata durante il lavoro.....	-18 ....	+50 °C	
Batterie consigliate.....	M18B....;	M18HB....	
Caricatori consigliati .....	M12-18C, M12-18AC,	M12-18FC, M1418C6	

### 1.4 Utilizzo conforme

Il sistema di ispezione tubi è utilizzato per controllare e ispezionare tubazioni. Il sistema è composto da tre moduli:

#### - Aspo avvolgicavo per ispezione tubi M18 SIC36 o M18 SIC60

L'aspo avvolgicavo per ispezione tubi è utilizzato per avvolgere e srotolare nonché per controllare il cavo di spinta. Gli aspi avvolgicavo sono disponibili in due misure: M18SIC36 per tubi con diametro da 50 mm a 150 mm e il modello più grande M18SIC60 per tubi con diametro da 75 mm a 250 mm.

Entrambi gli aspi avvolgicavo contengono un cavo di spinta con unità a molla su cui è montata la testina telecamera autolivellante. Il monitor wireless M18 SIM e lo Smart Hub M18 SISH possono essere utilizzati con entrambi gli aspi avvolgicavo.

Entrambi gli aspi avvolgicavo possono essere utilizzati sia in verticale che in orizzontale. Sul retro dell'M18 SIC36 è possibile fissare un dispositivo di trasporto per portare il dispositivo sulle spalle tipo zaino.

#### - Smart hub M18 SISH

Lo Smart Hub M18 SISH è utilizzato per controllare il sistema di ispezione tubi.

Il monitor wireless M18 SIM o il tablet su cui è installata l'app di ispezione tubi Milwaukee® si collega allo Smart Hub M18 SISH per ricevere video e immagini. Sia i video che le immagini sono memorizzati sull'unità di memoria interna dello Smart Hub M18 SISH.

#### - Monitor wireless M18 SIM (non fa parte del limite di fornitura; può essere acquistato separatamente)

Il monitor wireless M18 SIM consente di visualizzare i video registrati dalla testina telecamera, di registrare video e foto e di riprodurre file video e immagini. Durante la registrazione di video, è possibile registrare commenti vocali tramite il microfono interno. E' anche possibile aggiungere testi di commento usando la funzione „Etichette“. I testi dei commenti vengono inseriti nel video registrato e compaiono sulle foto insieme alla data, all'ora e alla lunghezza del cavo srotolato.

Utilizzare il prodotto solo per l'uso per cui è previsto.

### 1.5 Requisiti di radiofrequenza per impianti europei

Avvertenza: Questo dispositivo è stato testato e trovato conforme ai valori limite per un ricevitore di categoria 3, secondo la norma EN 300 440 V2.1.1.

I suddetti valori limite sono stati fissati per fornire una protezione ragionevole contro le interferenze di radiofrequenza negli edifici residenziali.

Il presente dispositivo reagisce ad altri dispositivi che emettono onde radio nella gamma di frequenza da 2402 fino a 2480 MHz. In questa maniera possono verificarsi disturbi nell'uso del telecomando. Non è possibile escludere che in determinate circostanze si verifichino anomalie. Per accertare se il presente dispositivo viene disturbato da segnali radio emessi da altri dispositivi occorre spegnere per un breve periodo gli altri dispositivi e controllare se le anomalie scompaiono. Le seguenti misure possono essere utili per eliminare le anomalie:

- Spegnere la fonte di disturbo.
- Incrementare la distanza dalla fonte di disturbo.



- Consultare un rivenditore qualificato o un tecnico di telecomunicazione qualificato.

## 1.6 Dichiarazione CE di conformità

Techtronic Industries GmbH, dichiara che il tipo di apparecchiatura radio M18SISH è conforme alla direttiva 2014/53/UE. Il testo completo della dichiarazione di conformità UE è disponibile al seguente indirizzo Internet: <http://services.milwaukeeetool.eu>

## 1.7 ONE-KEY™

Per sapere di più sulla funzione ONE-KEY di questo dispositivo, leggere le istruzioni rapide allegate o consultare la nostra pagina internet [www.milwaukeeetool.com/one-key](http://www.milwaukeeetool.com/one-key). La ONE-KEY App può essere scaricata dall'App Store o da Google Play sul vostro smartphone.

Se si verificano scariche elettrostatiche, la connessione Bluetooth viene interrotta. In questo caso, ristabilire manualmente la connessione.

Il dispositivo soddisfa i requisiti minimi secondo EN 55014-2:2015 / EN 301489-1 V2.2.3. / EN 301489-17 V3.1.1.

### Indicatore ONE-KEY™

Luce fissa blu: è attiva la modalità wireless e può essere configurata tramite l'app ONE-KEY™.

Luce lampeggiante blu: il dispositivo comunica con l'app ONE-KEY™.

Luce lampeggiante rossa: il dispositivo è stato bloccato per motivi di sicurezza e può essere sbloccato dall'operatore tramite l'app ONE-KEY™.

## 1.8 Batterie

Batterie non utilizzate per molto tempo devono essere ricaricate prima dell'uso.

A temperature superiori ai 50°C, la potenza della batteria si riduce. Evitare un'esposizione a surriscaldamento prolungato dovuto ai raggi del sole o ad un impianto di riscaldamento.

Tenere puliti i contatti di collegamento sul caricatore e sulla batteria.

Per una ottimale vita utile è necessario ricaricare completamente le batterie dopo l'uso.

Per una più lunga durata, rimuovere le batterie dal caricabatterie quando saranno cariche.

In caso di immagazzinaggio della batteria per più di 30 giorni:

Immagazzinare la batteria a meno di 27°C in ambiente asciutto.

Immagazzinare la batteria con una carica di circa il 30% - 50%.

Ricaricare la batteria ogni 6 mesi.

## 1.9 Trasporto di batterie agli ioni di litio

Le batterie agli ioni di litio sono soggette alle disposizioni di legge sul trasporto di merce pericolosa.

Il trasporto di queste batterie deve avvenire rispettando le disposizioni e norme locali, nazionali ed internazionali.

- Gli utilizzatori possono trasportare queste batterie su strada senza alcuna restrizione.
- Il trasporto commerciale di batterie agli ioni di litio tramite spedizionieri è regolato dalle disposizioni sul trasporto di merce pericolosa. Le preparazioni al trasporto ed il trasporto stesso devono essere svolti esclusivamente da persone idoneamente istruite. Tutto il processo deve essere gestito in maniera professionale.

Durante il trasporto di batterie occorre tenere conto di quanto segue:

- Assicurarsi che i contatti siano protetti ed isolati per evitare corto circuiti.
- Accertarsi che la batteria non possa spostarsi all'interno dell'imballaggio.
- Batterie danneggiate o batterie che perdono liquido non devono essere trasportate.




Per ulteriori informazioni si prega di contattare il proprio spedizioniere.

## 1.10 Manutenzione

Utilizzare esclusivamente accessori e parti di ricambio Milwaukee. I componenti la cui sostituzione non è stata descritta, devono essere sostituiti da un centro di assistenza tecnica Milwaukee (vedi opuscolo Garanzia/Indirizzi Assistenza tecnica).

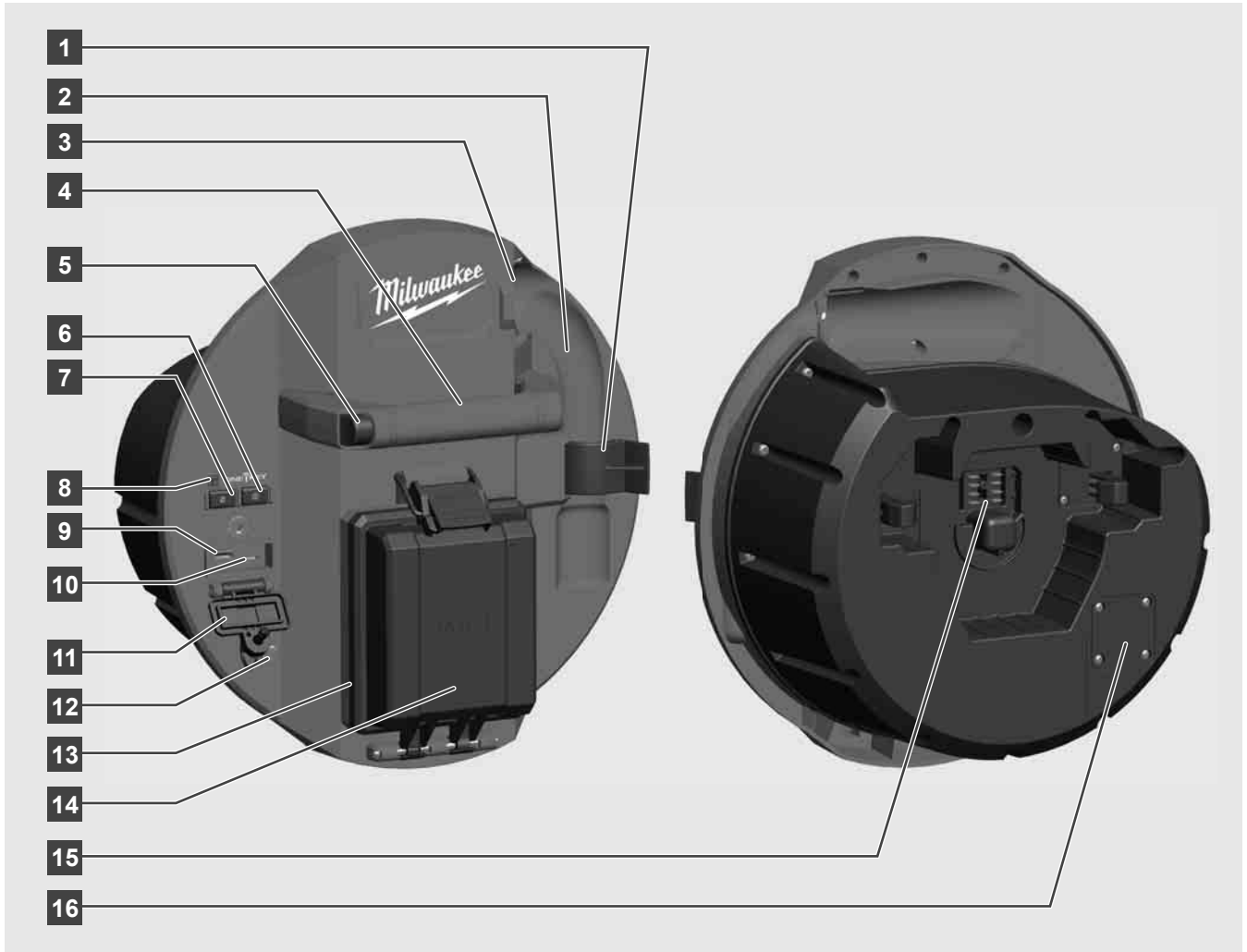
In caso di necessità è possibile richiedere un disegno esploso del dispositivo indicando il modello del dispositivo ed il numero a sei cifre sulla targa di potenza rivolgendosi al centro di assistenza tecnica o direttamente a Techtronic Industries GmbH, Max-Eyth-Straße 10, 71364 Winnenden, Germany.

## 1.11 Simboli

	ATTENZIONE! AVVERTENZA! PERICOLO!
	Prima di iniziare qualsiasi intervento sul dispositivo togliere la batteria.
	Leggere attentamente le istruzioni per l'uso prima di mettere in funzione il dispositivo.
	Indossare guanti protettivi!
	Durante l'uso del dispositivo indossare sempre occhiali di protezione.
	I dispositivi elettrici, le batterie e le batterie ricaricabili non devono essere smaltiti con i rifiuti domestici. I dispositivi elettrici e le batterie da smaltire devono essere raccolti separatamente e devono essere conferiti ad un centro di riciclaggio per lo smaltimento rispettoso dell'ambiente. Chiedere alle autorità locali o al rivenditore specializzato dove si trovano i centri di riciclaggio e i punti di raccolta.
	Voltaggio
	Corrente continua
	Marchio di conformità europeo
	Marchio di conformità britannico
	Marchio di conformità ucraino
	Marchio di conformità euroasiatico

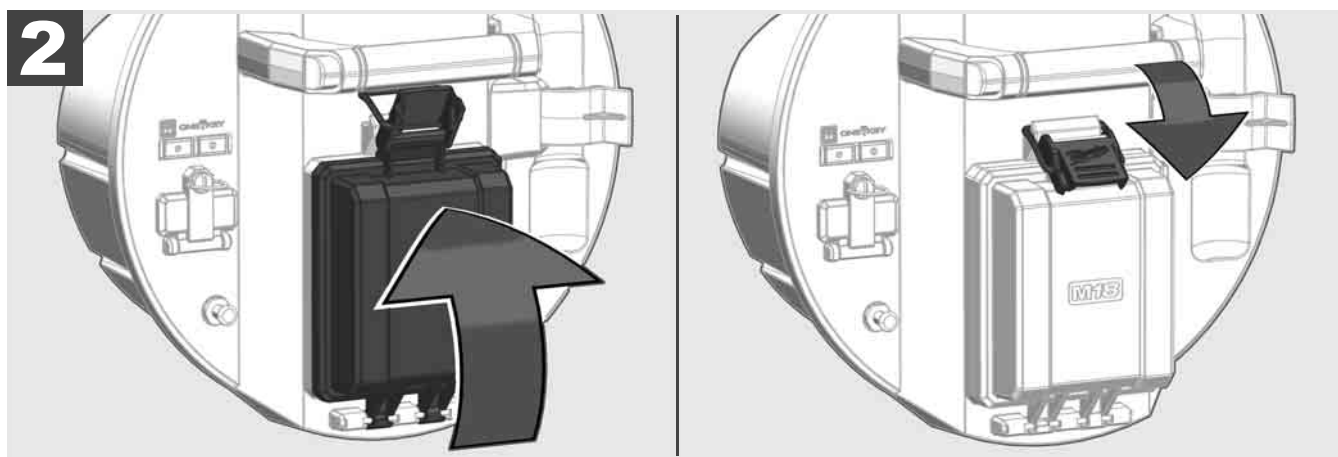
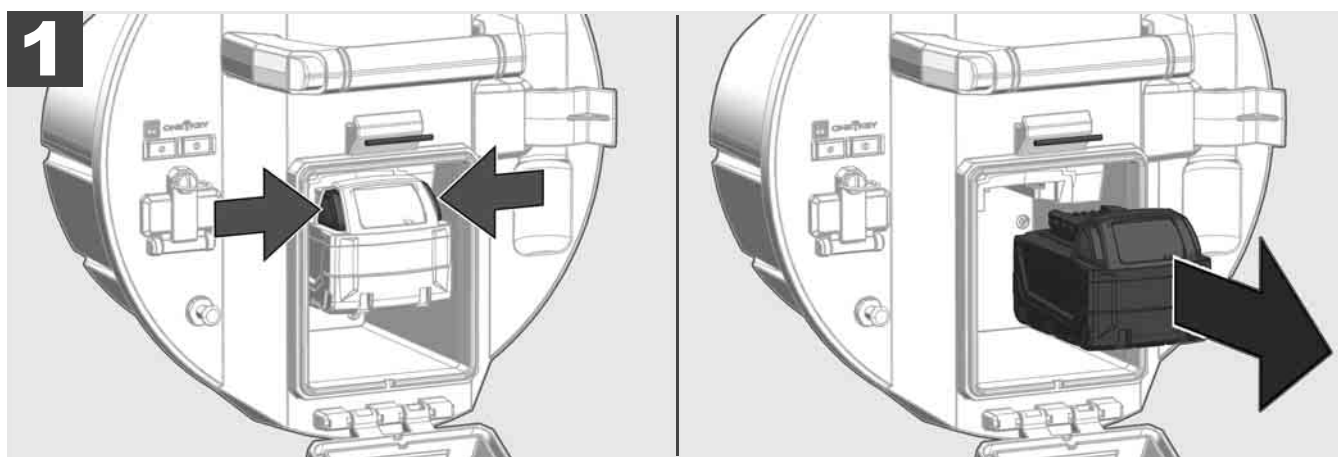
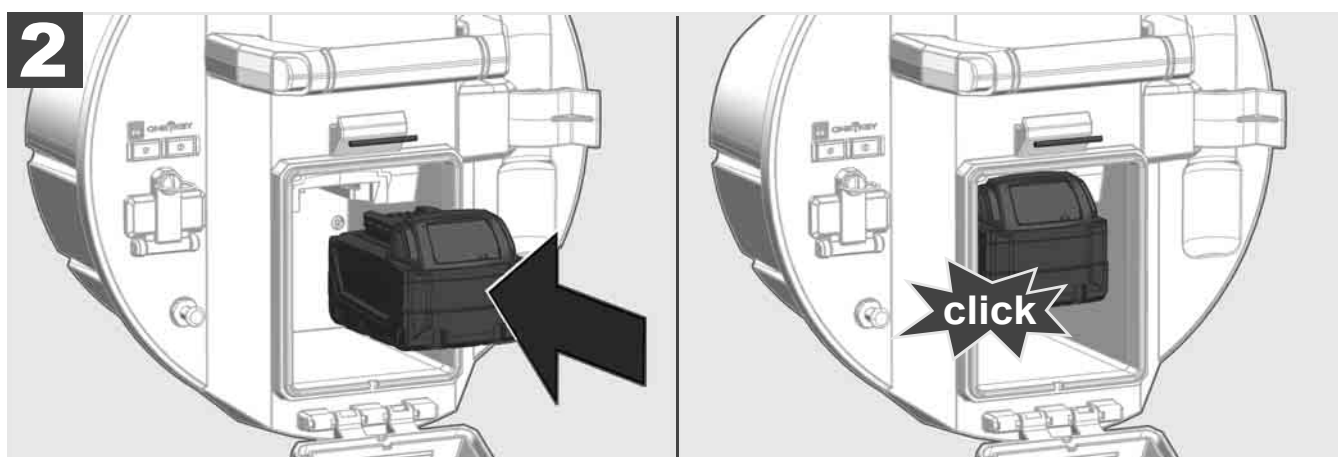
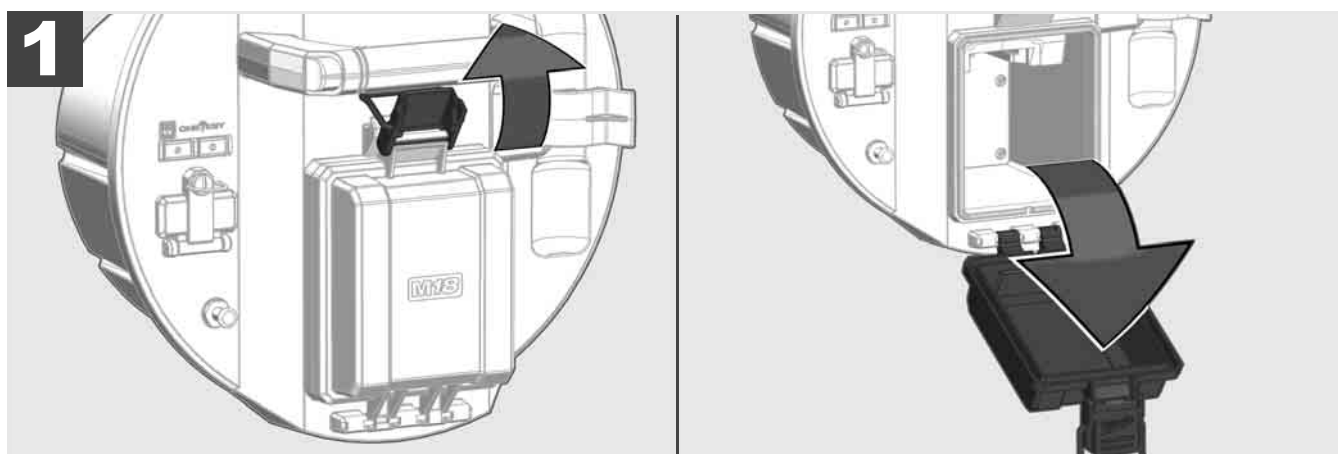
## 2 SMART HUB M18 SISH

### 2.1 Panoramica Smart Hub M18 SISH



- 1 Clip di fissaggio molla - per fissare la molla e la telecamera durante il trasporto.
- 2 Alloggiamento molla - tiene in posizione la molla e la telecamera durante il trasporto e lo stoccaggio.
- 3 Guida del cavo - prima di inserire lo Smart Hub, fare passare la molla e il cavo di spinta attraverso la guida.
- 4 Impugnatura
- 5 Tasto di sblocco - premere questo tasto per sbloccare lo Smart Hub dall'aspo avvolgicavo per ispezione tubi.
- 6 Interruttore principale - premere una volta brevemente per accendere il dispositivo; tenere premuto per spegnere il dispositivo.
- 7 Pulsante di reset lunghezza cavo - azzera la lunghezza del cavo srotolato.
- 8 Indicatore LED ONE-KEY
- 9 Porta USB A - per il salvataggio diretto di video e foto e per gli aggiornamenti del firmware.
- 10 Porta USB C - porta dati e alimentazione opzionale per collegare il monitor wireless M18 SIM allo Smart Hub.
- 11 Coperchio porte USB - coperchio impermeabile che protegge le porte USB da polvere e umidità.
- 12 Asta di messa a terra - per la messa a terra dello Smart Hub durante il tracciamento del cavo di spinta.
- 13 Coperchio batteria - coperchio impermeabile che protegge la batteria da polvere e umidità.
- 14 Vano batteria - per batteria M18™
- 15 Connessione per il collegamento dello Smart Hub e dell'aspo avvolgicavo per ispezione tubi.
- 16 Porta di test telecamera - per la risoluzione dei problemi con la testina telecamera

## 2.2 Inserimento e rimozione della batteria



## 2.3 Controllo del livello di carica della batteria



78-100 %



55-77 %



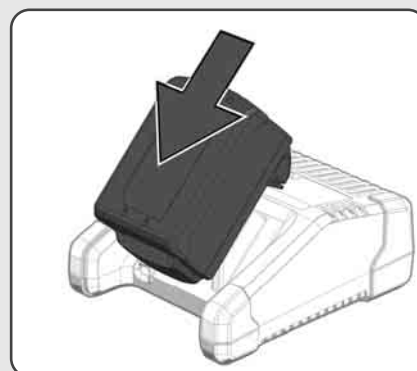
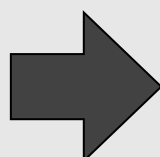
33-54 %

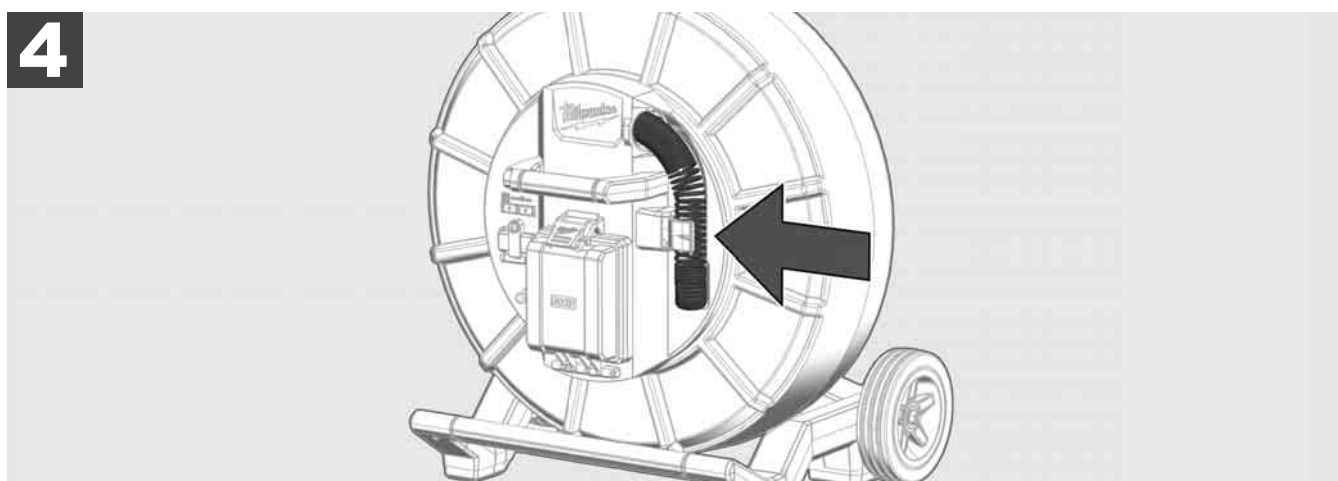
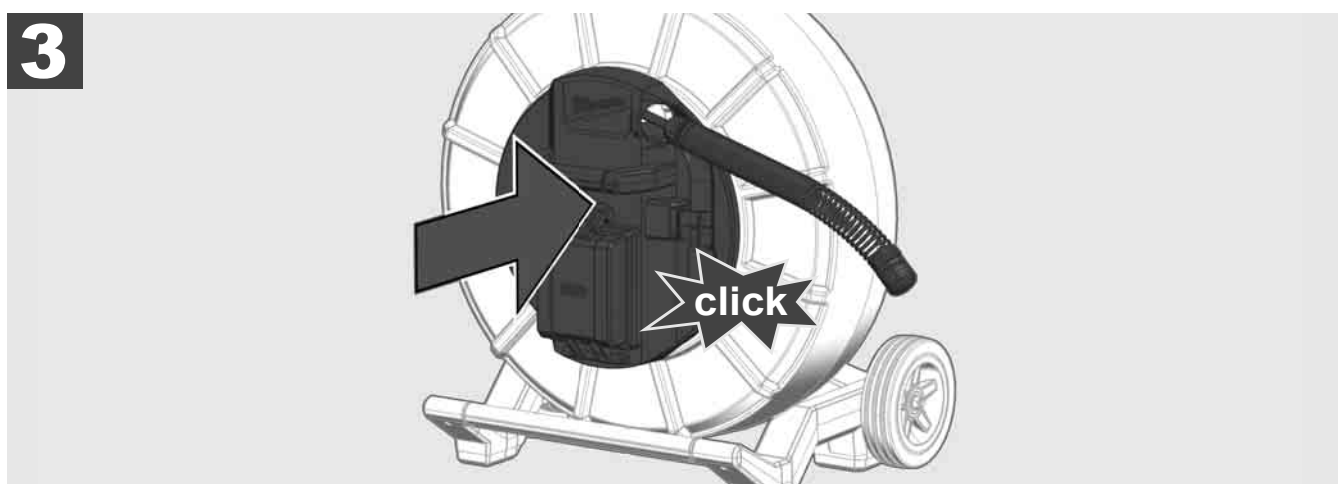
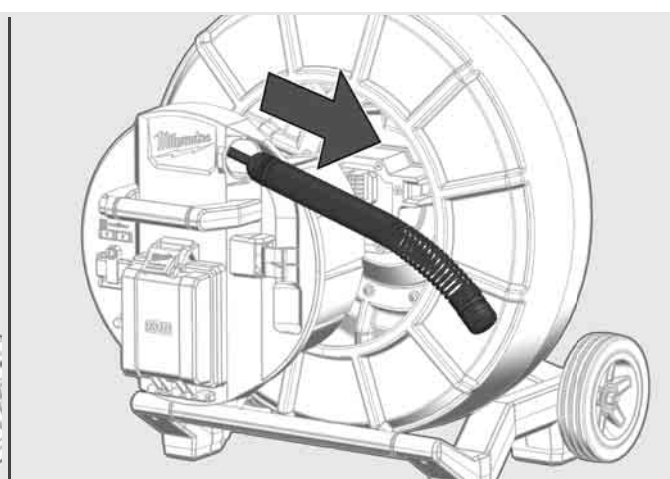
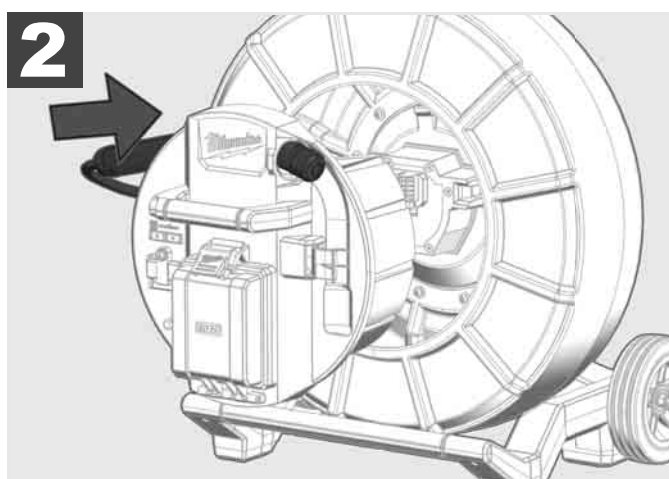
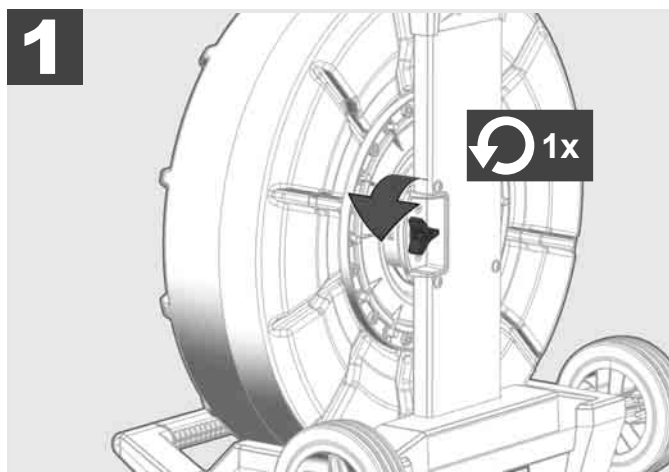


10-32 %



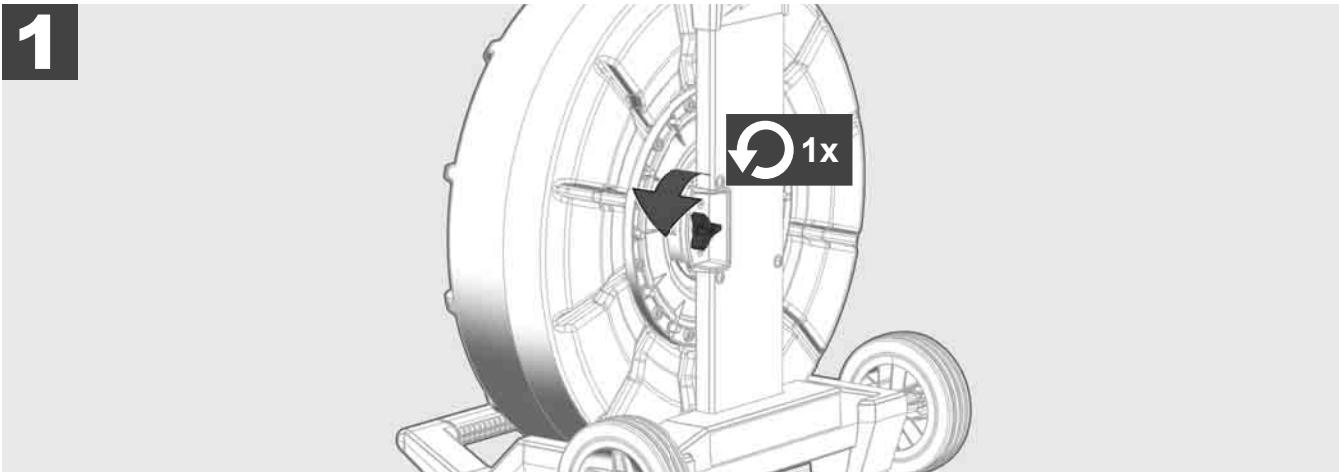
< 10 %



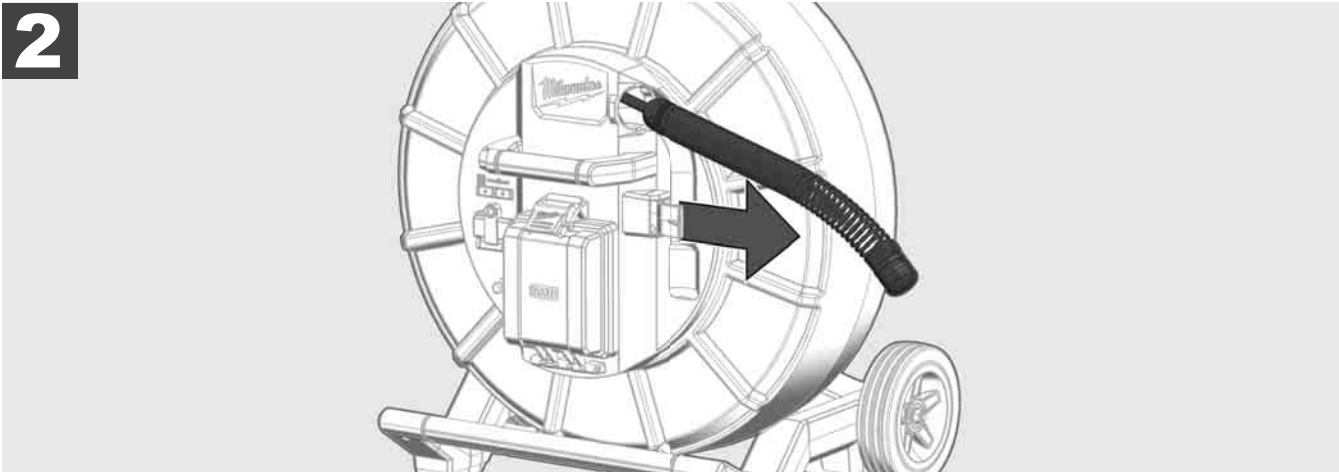




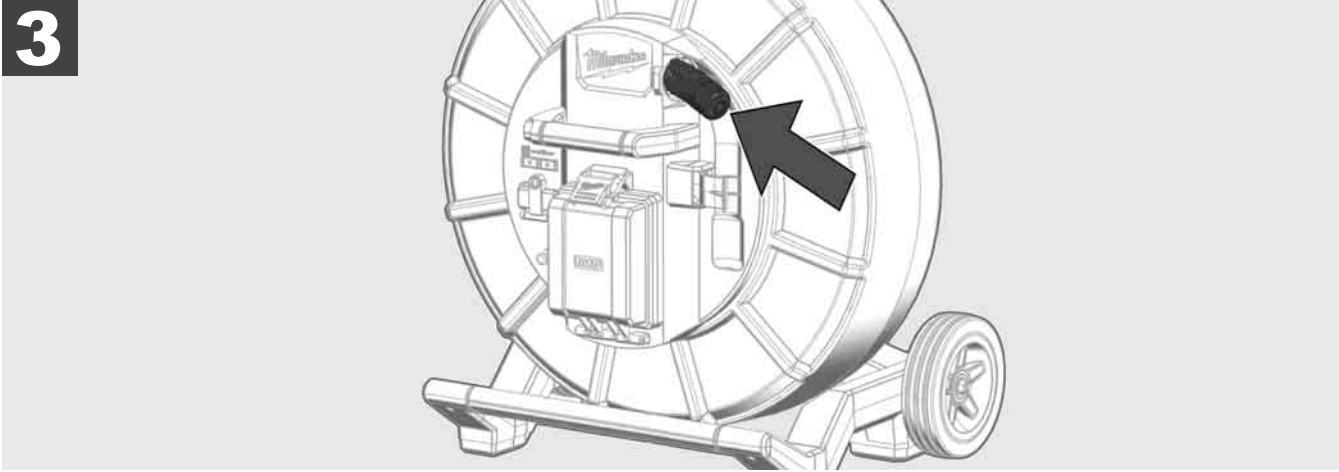
**1**



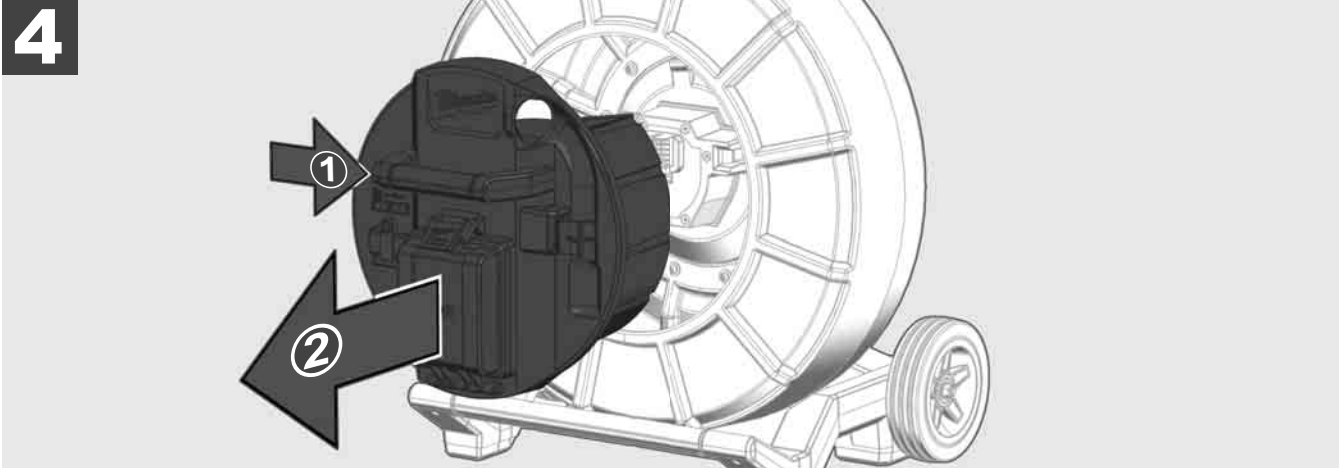
**2**



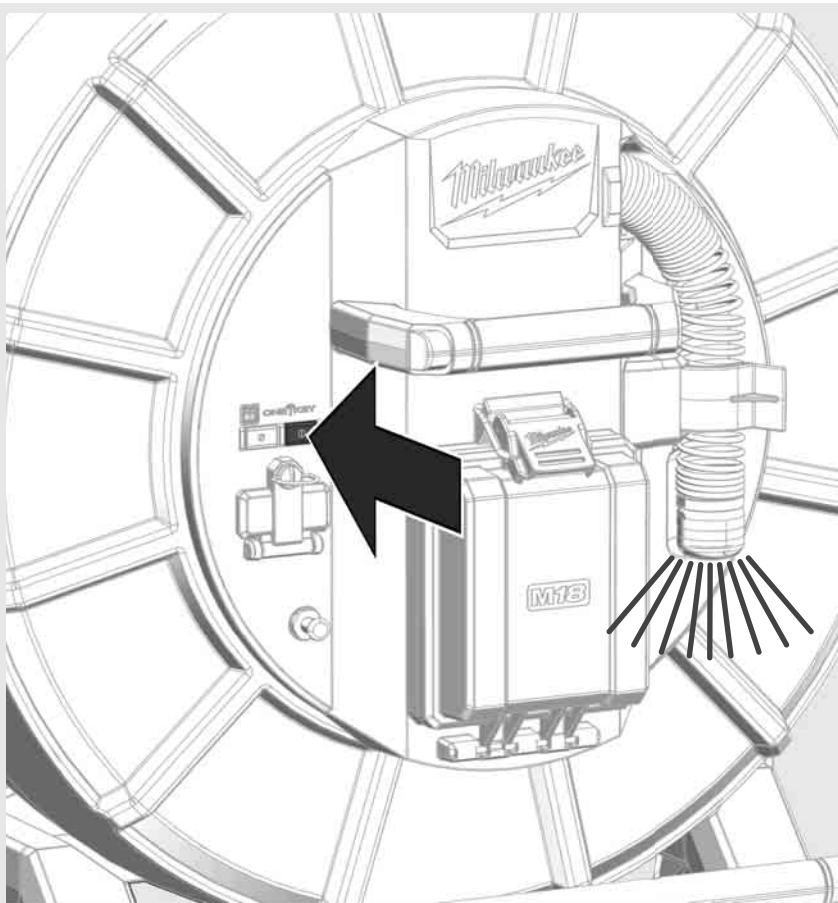
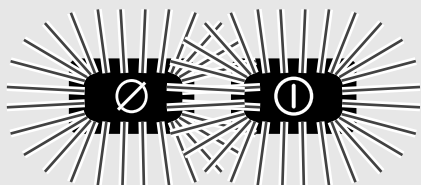
**3**



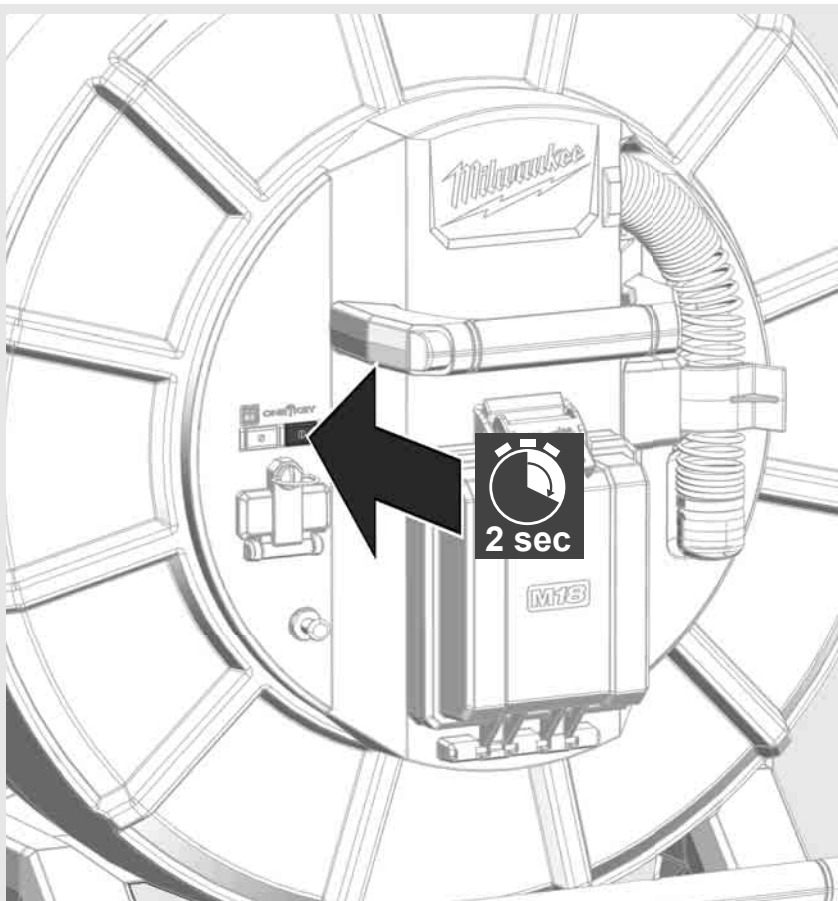
**4**



# ON



# OFF





## 2.7 Collegamento del monitor

Occorre disporre di un dispositivo di visualizzazione esterno per modificare le impostazioni del SISTEMA DI ISPEZIONE TUBI, controllarne le funzioni e visualizzare le immagini e i video ripresi con la telecamera.

Il dispositivo di visualizzazione esterno non è incluso nel limite di fornitura del SISTEMA DI ISPEZIONE TUBI e deve essere acquistato separatamente.

Sono disponibili le seguenti opzioni:

- MONITOR WIRELESS MILWAUKEE M18 SIM
- Tablet o Smartphone con l'APP di ISPEZIONE TUBI MILWAUKEE

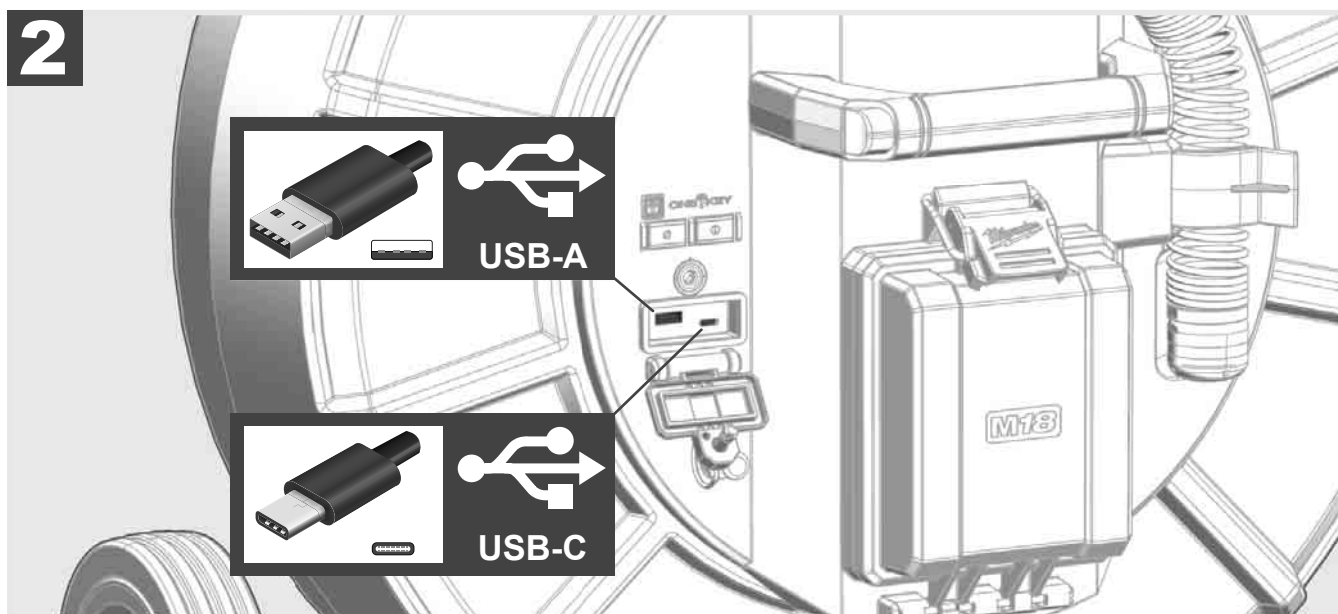
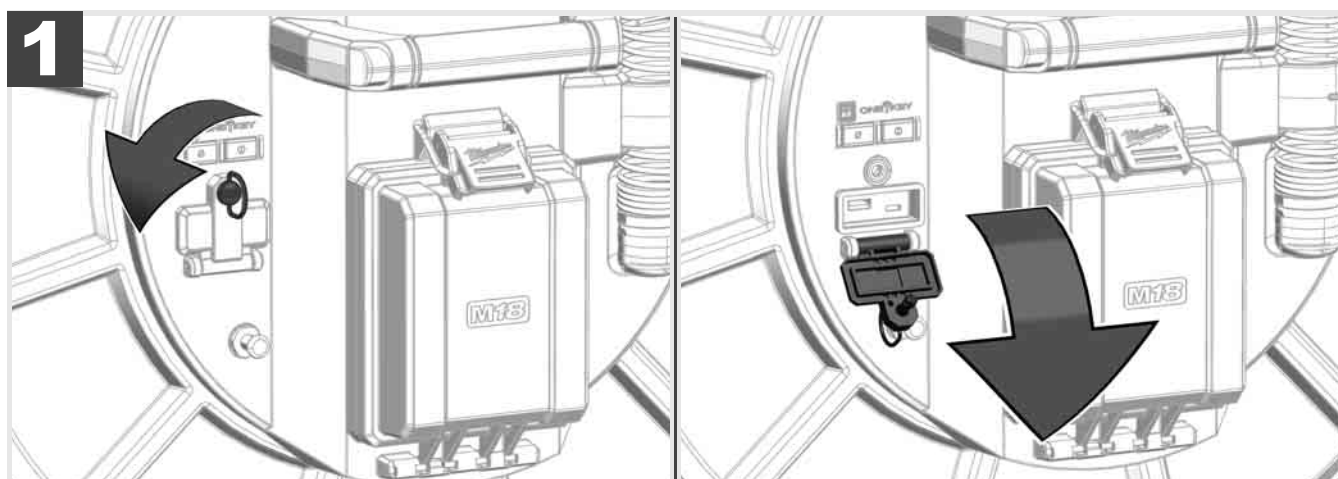
Il MONITOR WIRELESS è collegato al SISTEMA DI ISPEZIONE TUBI tramite WLAN o tramite la porta USB-C ed è immediatamente pronto per l'uso. Quando si utilizza un tablet o uno smartphone, installare prima l'APP di ISPEZIONE TUBI MILWAUKEE sul relativo dispositivo.

### **PRIMO UTILIZZO CON MONITOR WIRELESS M18 SIM:**

1. Accendere lo SMART HUB e il MONITOR WIRELESS.
  2. Il MONITOR WIRELESS si collega automaticamente allo SMART HUB entro 25 secondi.
- \*Per il collegamento via cavo, collegare il monitor allo Smart Hub utilizzando il cavo USB-C.

### **PRIMO UTILIZZO CON SMARTPHONE O TABLET:**

1. Scaricare e installare l'APP di ISPEZIONE TUBI MILWAUKEE
2. Accendere lo SMART HUB e il dispositivo di visualizzazione.
3. Selezionare l'opzione Impostazioni > WLAN.
4. Selezionare l'opzione MTCAM\_[LAST 9 DIGITS OF HUB SERIAL #].
5. Inserire la password: 29702000
6. Avviare l'APP di ISPEZIONE TUBI MILWAUKEE.

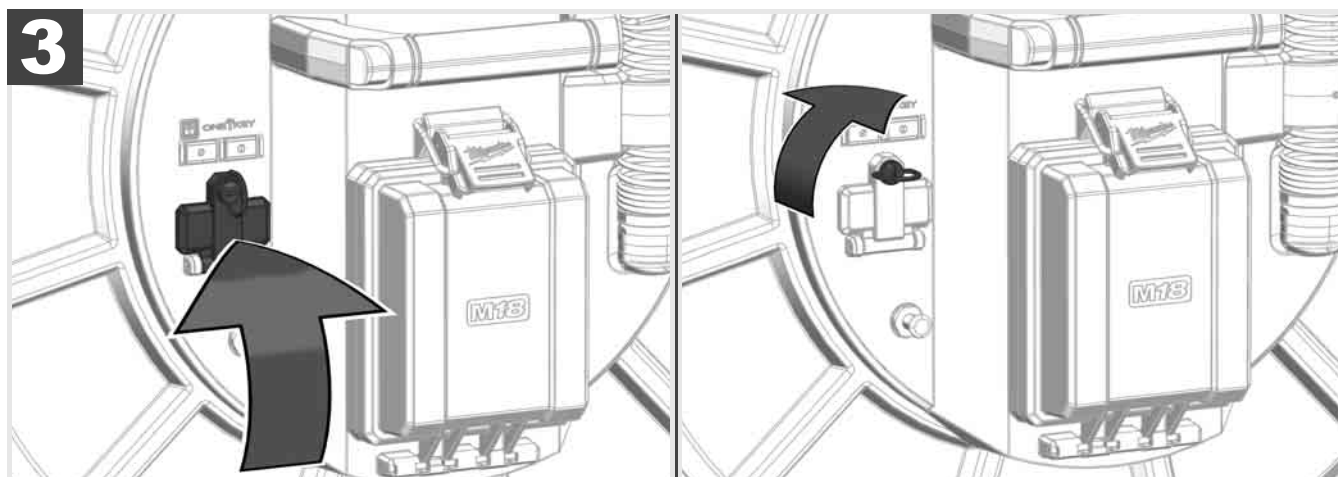


### USB-A

- Porta per l'uso normale. Permette la registrazione diretta di file video e immagini o il loro trasferimento dall'unità di memoria interna dello Smart Hub.
- Consente di eseguire aggiornamenti del firmware sullo Smart Hub.

### USB-C

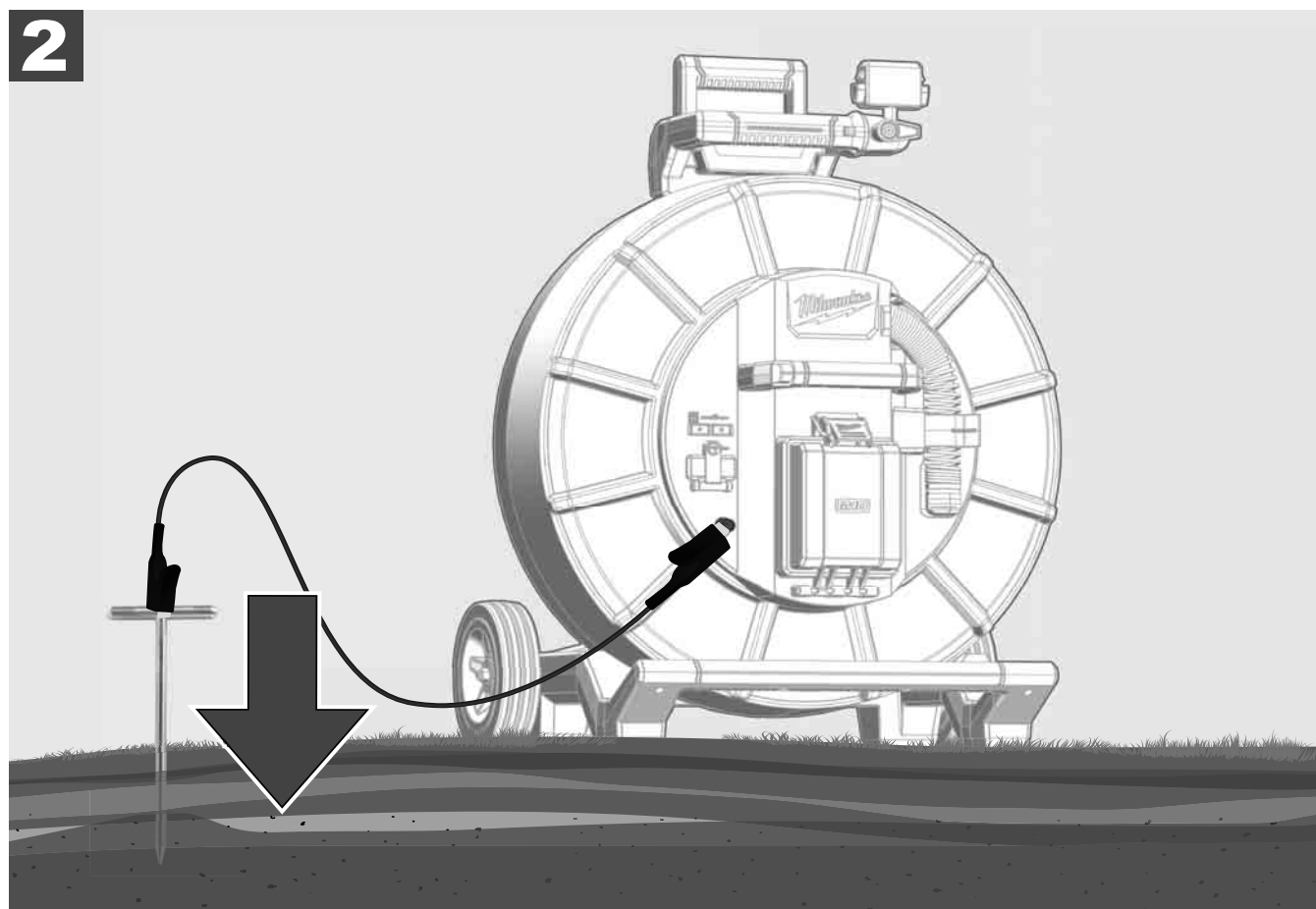
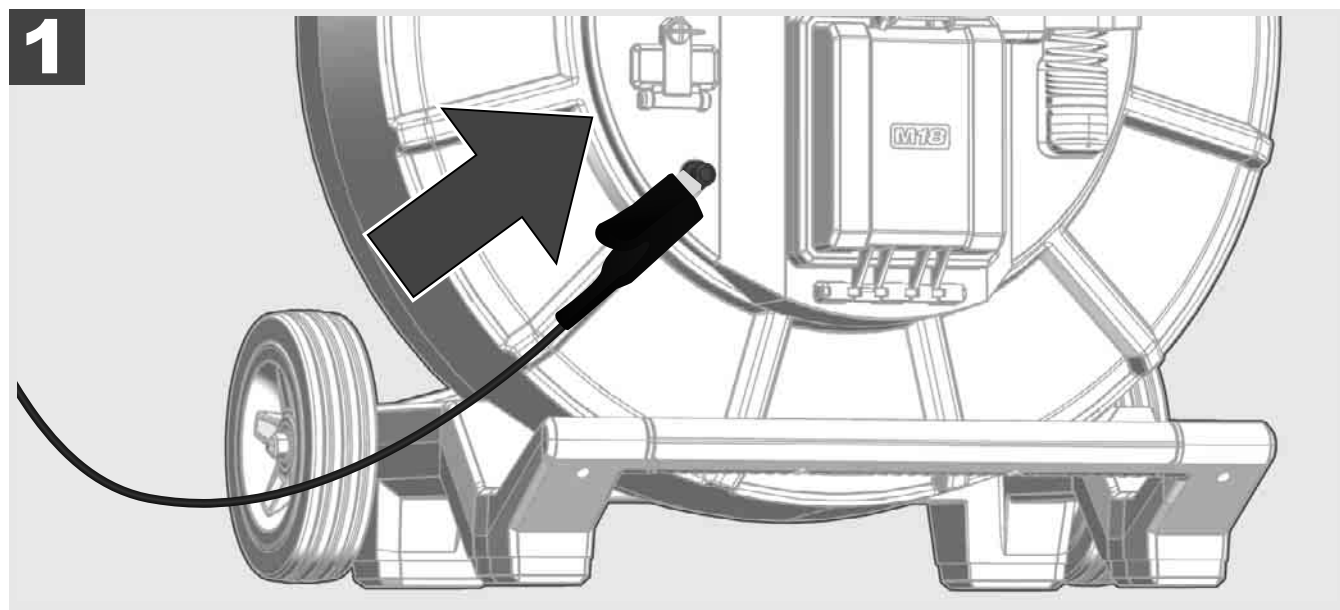
- Permette il collegamento tra il monitor wireless M18 SIM e lo Smart Hub senza connessione WLAN. Alimentazione dello Smart Hub tramite il monitor wireless M18 SIM o viceversa quando la batteria non è carica.



## 2.9 Asta di messa a terra



L'asta di messa a terra deve essere sempre utilizzata quando il cavo di spinta viene tracciato con la funzione TRACCIAMENTO CAVO. Lo Smart Hub deve essere messo a terra per garantire che il circuito di corrente sia chiuso e che venga inviato un buon segnale di localizzazione. Per mettere a terra lo Smart Hub utilizzare il cavo di messa a terra fornito in dotazione insieme all'asta di messa a terra.

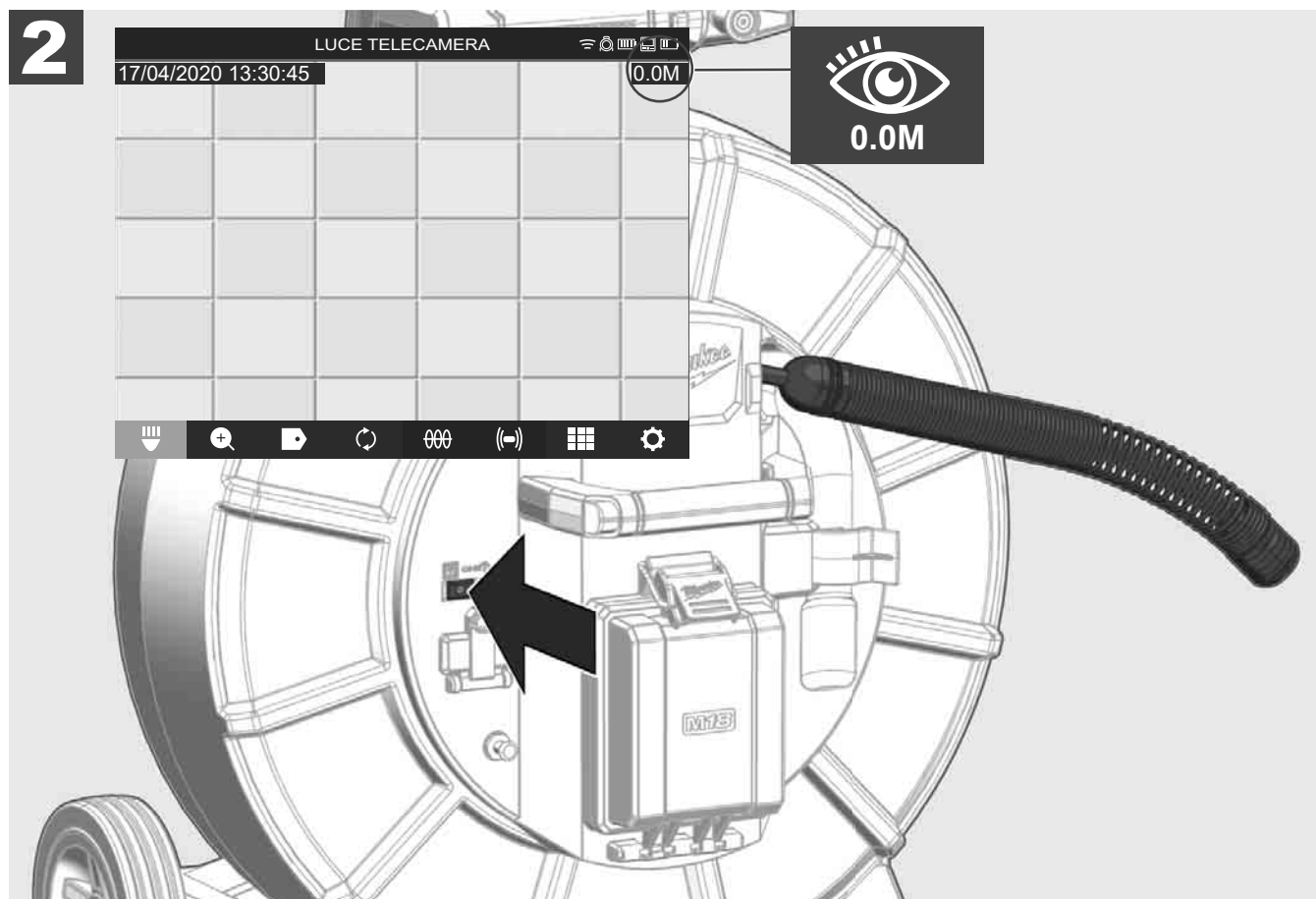
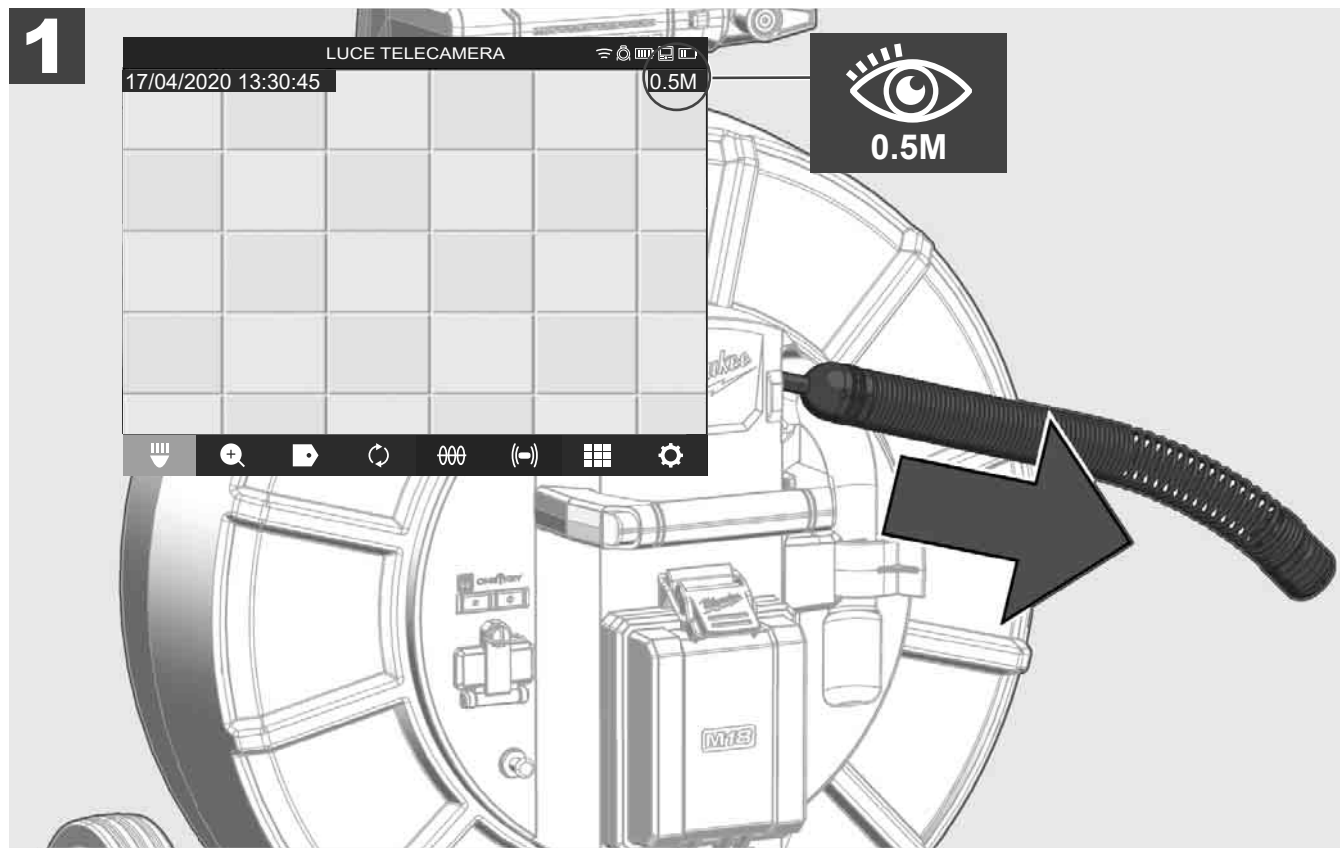


## 2.10 Azzeramento del contatore di lunghezza



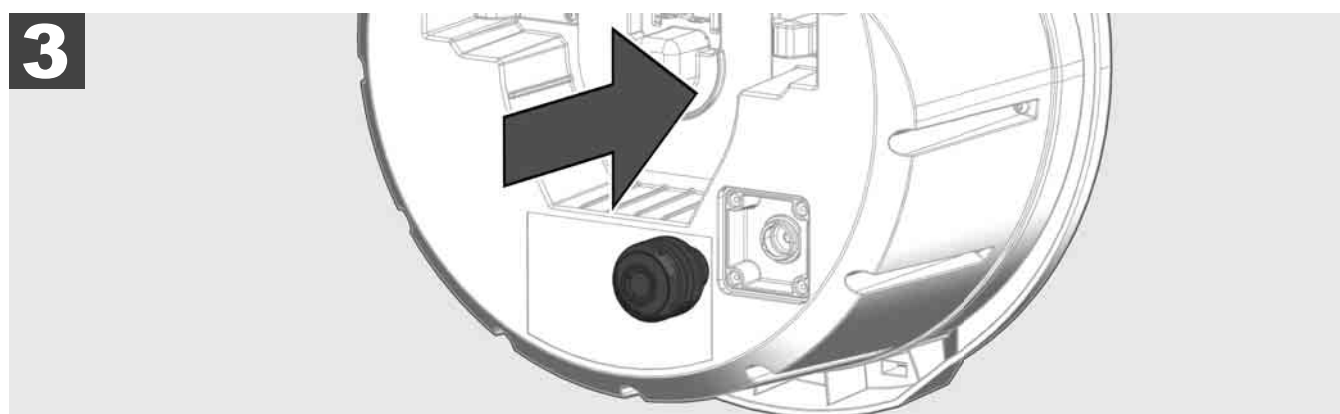
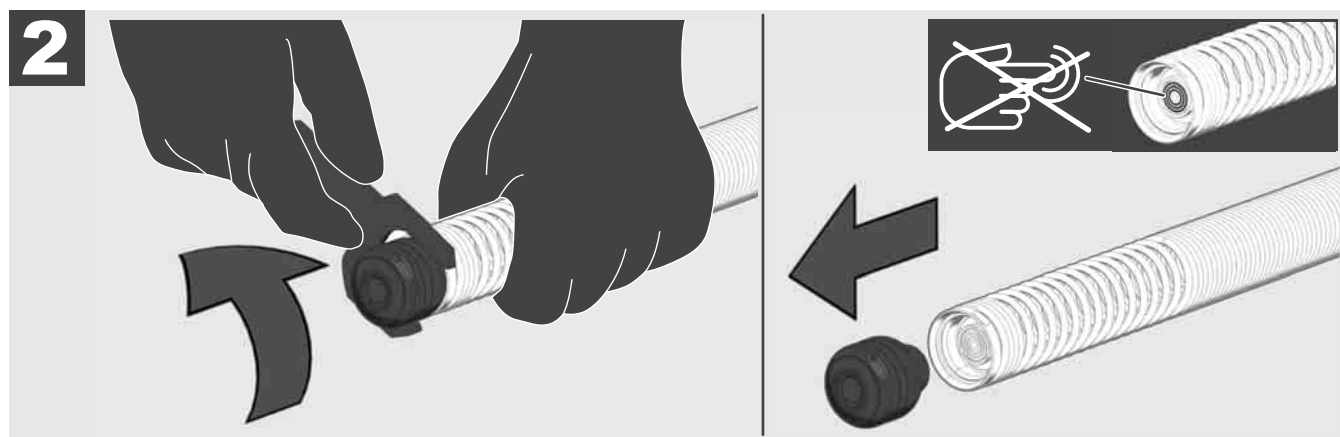
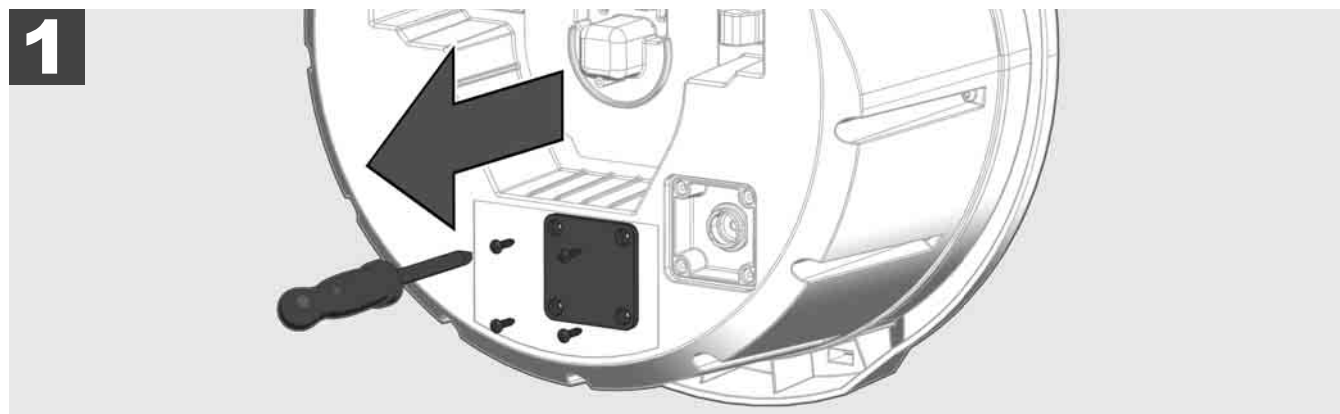
Quando si srotola L'ASPO AVVOLGICAVO PER ISPEZIONE TUBI, la lunghezza del cavo srotolato viene visualizzata sulla barra di stato del monitor wireless SIM M18.

Per resettare il valore visualizzato, premere il tasto .



## 2.11 Connessione di test telecamera

In caso di problemi con la testina telecamera, la telecamera può essere controllata tramite la porta di test.

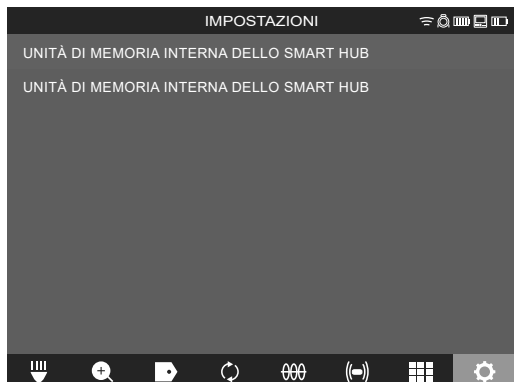


## 2.12 Formattazione dell'unità di memoria interna e della chiavetta USB

Questa funzione consente di formattare l'unità di memoria interna da 500 GB dello Smart Hub o la chiavetta USB.

Le chiavette USB devono essere formattate in formato FAT32.

1. Selezionare **IMPOSTAZIONI**  → **FORMATTA MEMORIA**
2. Selezionare la memoria.



3. Confermare il messaggio visualizzato sullo schermo.



L'unità di memoria selezionata viene formattata e il sistema ritorna al menu **IMPOSTAZIONI**.

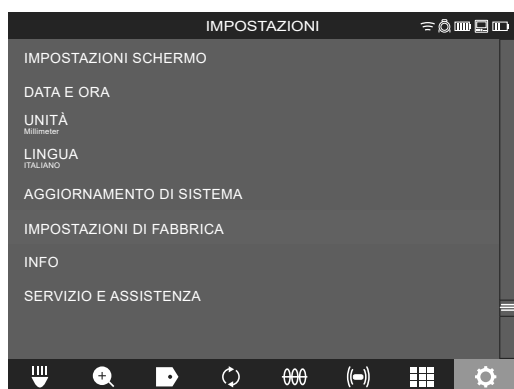
## 2.13 Impostazioni di fabbrica

Selezionando la funzione Impostazioni di fabbrica, lo Smart Hub M18 SISH viene resettato alle impostazioni di fabbrica.

Saranno resettate le seguenti impostazioni dello Smart Hub M18 SISH:

- Le ETICHETTE saranno cancellate.
- Le impostazioni VIDEO e IMMAGINI saranno resettate a 1080 P.
- Il NOME AZIENDA sarà cancellato.
- La FREQUENZA SONDA sarà ripristinata all'impostazione di fabbrica.
- Il TRACCIAMENTO CAVO sarà resettato all'impostazione di fabbrica.
- Le IMPOSTAZIONI SCHERMO saranno ripristinate alle impostazioni di fabbrica: Colore, luminosità, contrasto, saturazione.
- UNITÀ DI MISURA

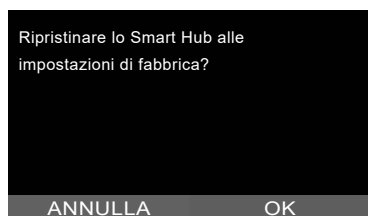
1. Selezionare **IMPOSTAZIONI**  → **IMPOSTAZIONI DI FABBRICA**



2. Selezionare **IMPOSTAZIONI DI FABBRICA** Smart Hub M18 SISH.



3. Leggere e confermare con OK il messaggio di reset.



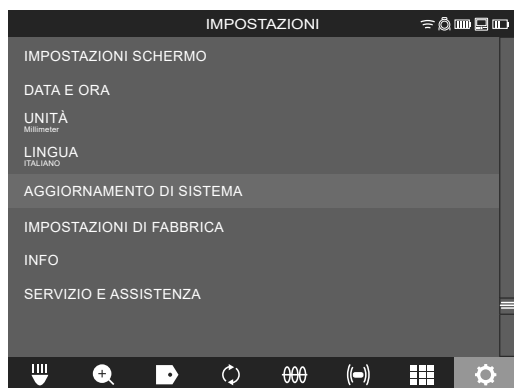
Il ripristino delle impostazioni di fabbrica è stato completato e il sistema ritorna al sottomenu **IMPOSTAZIONI DI FABBRICA**

## 2.14 Aggiornamento del sistema

Prima dell'aggiornamento del sistema, aprire il menu **IMPOSTAZIONI** → **INFO** e annotare la versione attuale del firmware.

Gli aggiornamenti del firmware possono essere effettuati tramite il monitor wireless M18 SIM o utilizzando un tablet con l'app di ispezione tubi Milwaukee®.

1. Accendere lo Smart Hub M18 SISH e il monitor wireless M18 SIM o il tablet con l'app di ispezione tubi Milwaukee®.
2. Assicurarsi che il monitor wireless M18 SIM o il tablet sia collegato allo Smart Hub M18 SISH via WLAN. Se non c'è una connessione WLAN, stabilirla prima di procedere.
3. Inserire la chiavetta USB con l'aggiornamento del firmware nella porta USB-A dello Smart Hub M18 SISH.
4. Selezionare **IMPOSTAZIONI** → **AGGIORNAMENTO DEL SISTEMA**



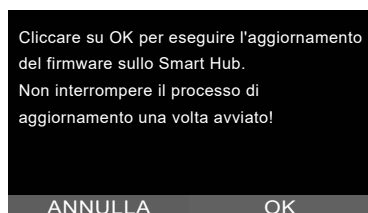
5. Selezionare Smart Hub M18 SISH.



6. Il nome del file dell'aggiornamento è visualizzato sullo schermo. Selezionare **NOME FILE** per avviare l'aggiornamento.

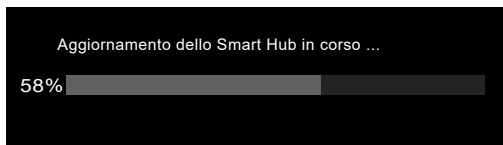


7. Leggere e confermare con OK il messaggio di avvertimento.

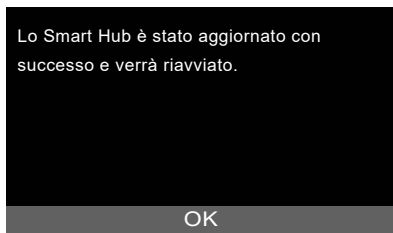




8. L'avanzamento dell'aggiornamento è indicato su una barra di avanzamento.



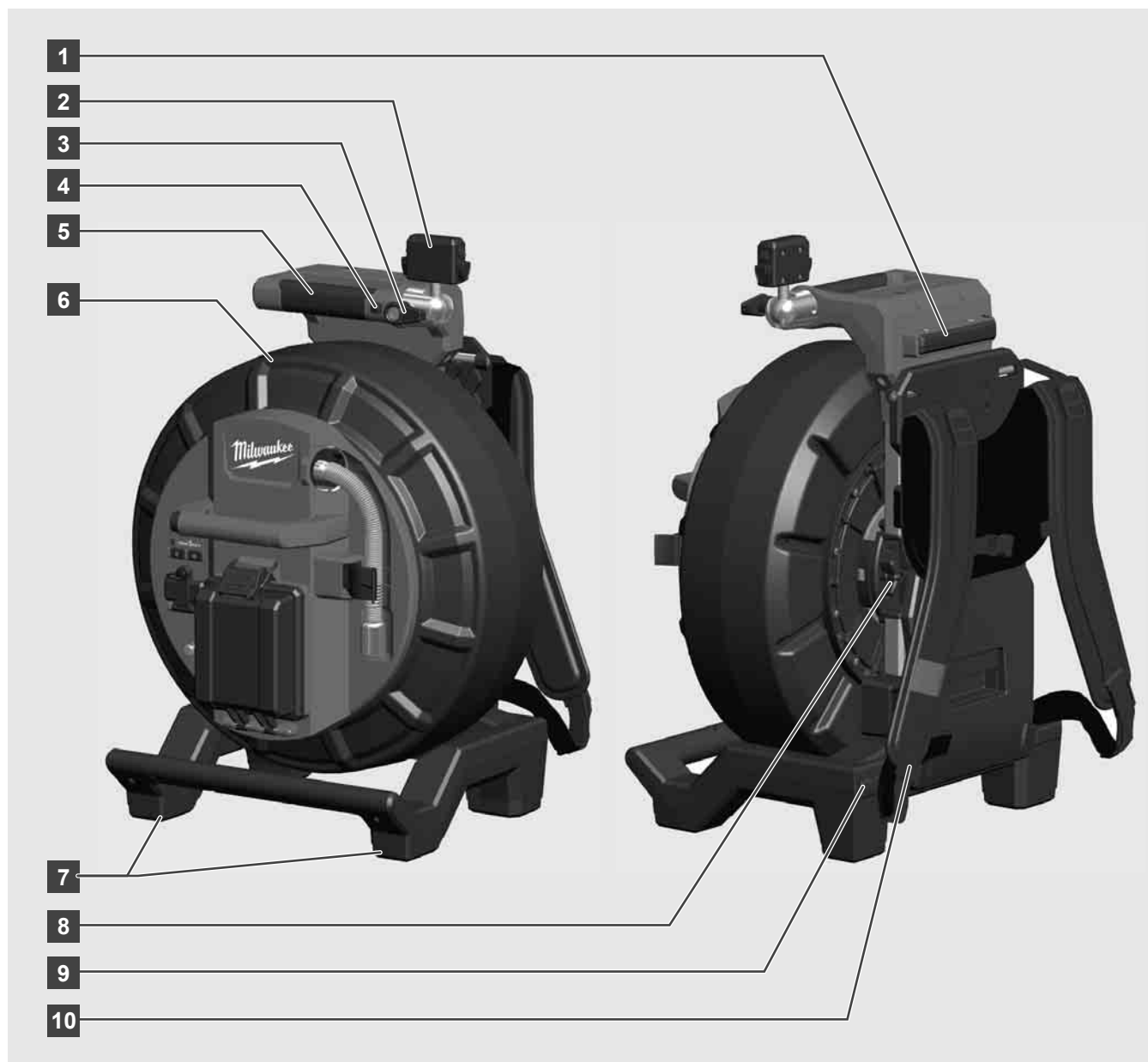
9. Al termine dell'aggiornamento è visualizzato un messaggio che deve essere confermato. Selezionare OK per riavviare il sistema.



10. Selezionare **IMPOSTAZIONI** → **INFO** per verificare se la versione del firmware è stata aggiornata.

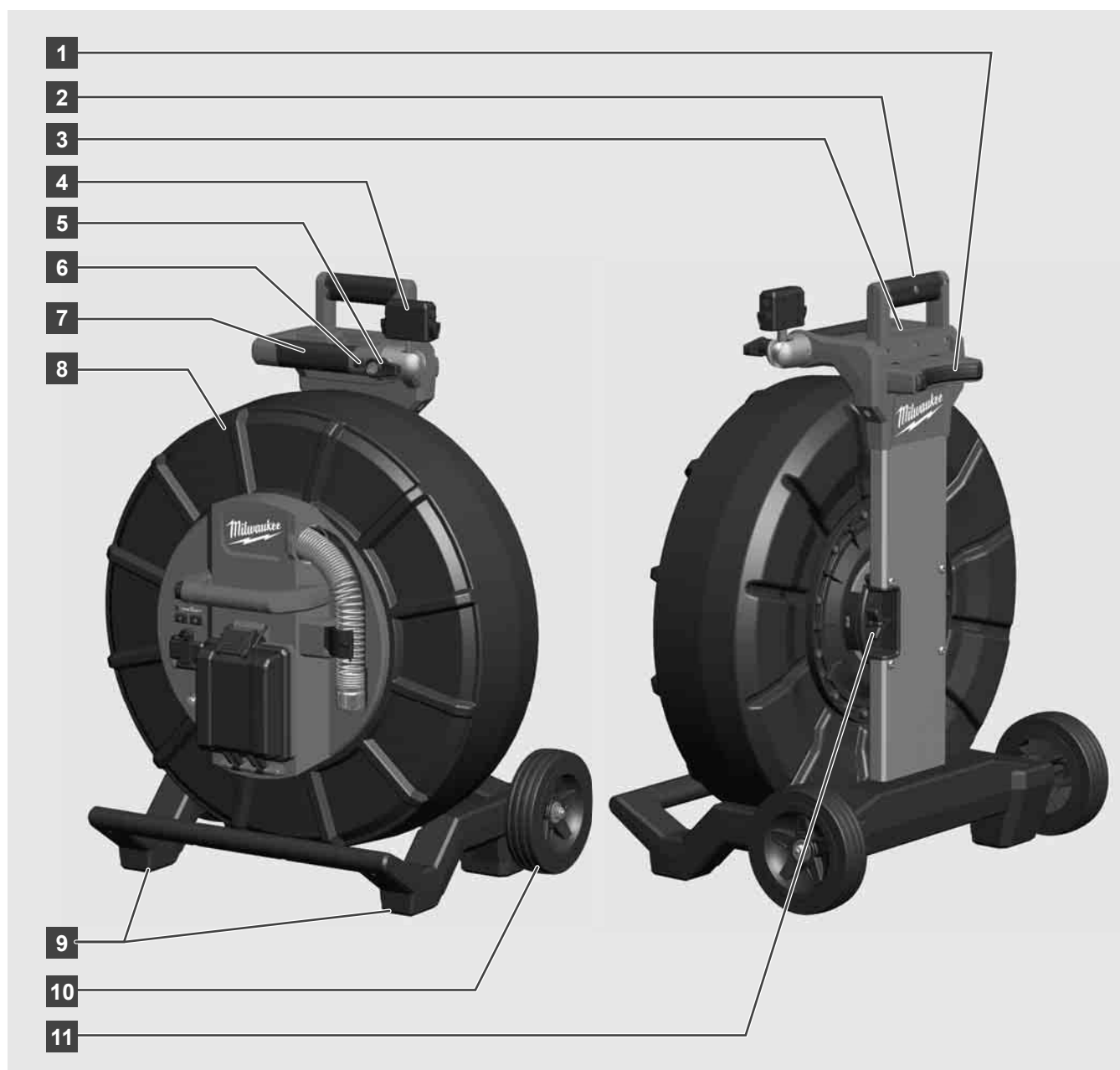
### 3 ASPI AVVOLGICAVO PER ISPEZIONE TUBI

#### 3.1 Panoramica aspo avvolgicavo per ispezione tubi M18 SIC36



- 1 Piedino per uso orizzontale
- 2 Connettore per il montaggio del monitor wireless M18 SIM / del tablet
- 3 Arresto antirotazione per il monitor wireless M18 SIM
- 4 Arresto antiribaltamento per il monitor wireless M18 SIM
- 5 Impugnatura
- 6 Tamburo portacavo con cavo di spinta
- 7 Piedino per uso verticale
- 8 Freno tamburo portacavo
- 9 Piedino per uso orizzontale
- 10 Dispositivo di trasporto

### 3.2 Panoramica aspo avvolgicavo per ispezione tubi M18 SIC60

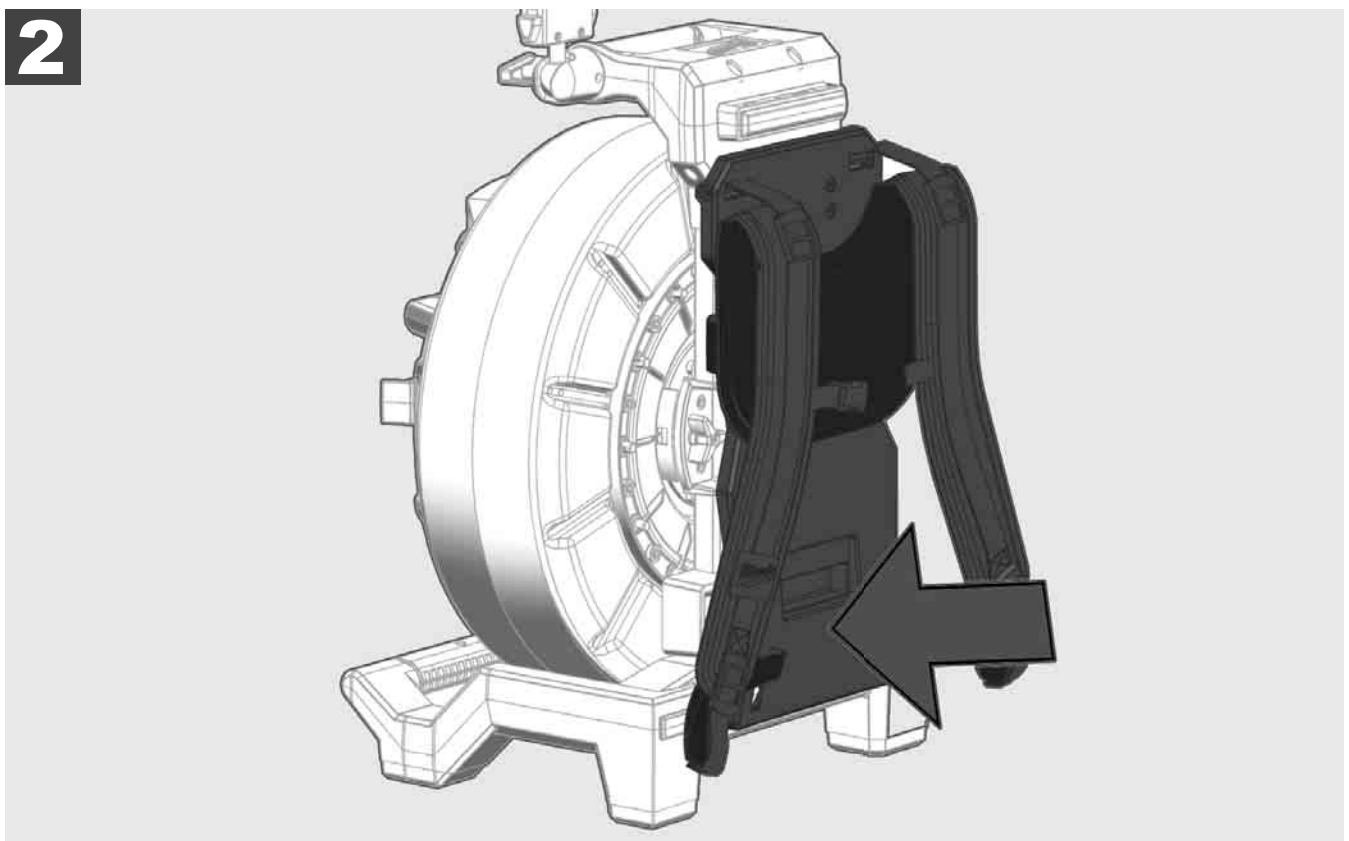
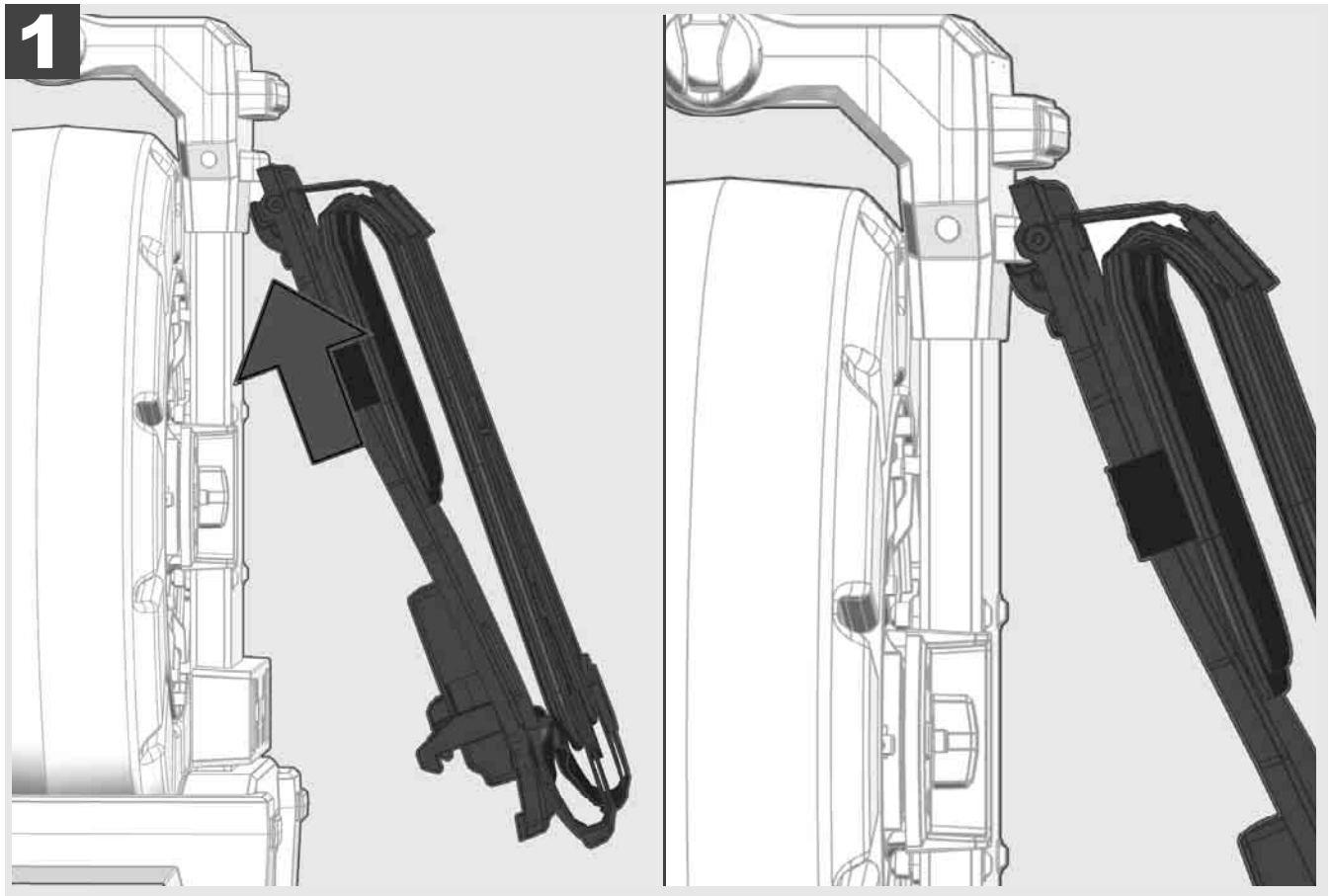


- 1 Piedino per uso orizzontale
- 2 Impugnatura estraibile (in posizione retratta)
- 3 Pulsante per il bloccaggio e lo sbloccaggio dell'impugnatura estraibile
- 4 Connettore per il montaggio del monitor wireless M18 SIM / del tablet
- 5 Protezione antirotazione per il monitor wireless M18 SIM
- 6 Protezione antiribaltamento per il monitor wireless M18 SIM
- 7 Impugnatura
- 8 Tamburo portacavo con cavo di spinta
- 9 Piedino per uso verticale
- 10 Ruote
- 11 Freno tamburo portacavo

### 3.3 Installazione del dispositivo di trasporto

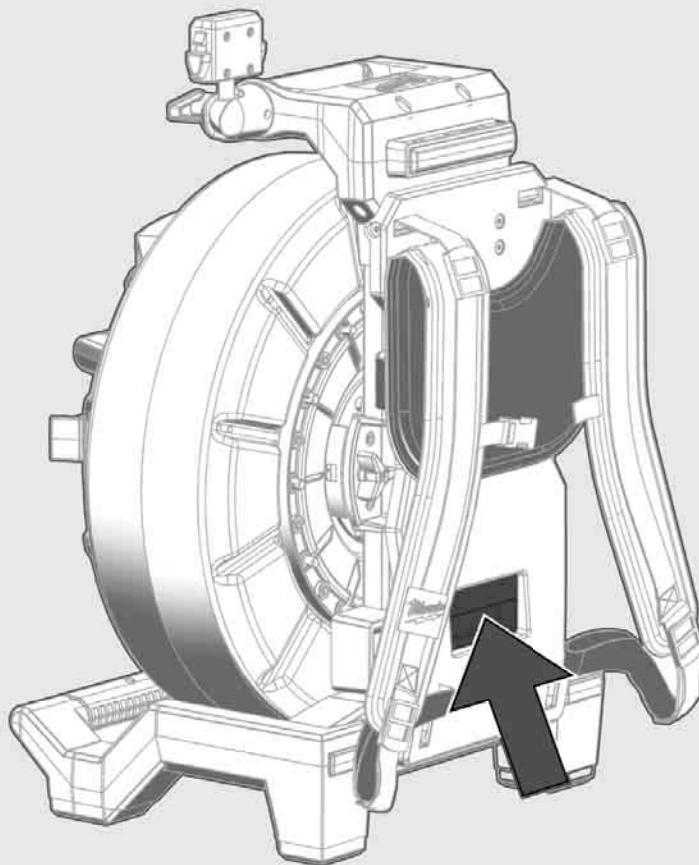


L'ASPO AVVOLGICAVO PER ISPEZIONE TUBI M18 SIC36 è dotato di un dispositivo di trasporto che permette di portare l'aspo avvolgicavo sulle spalle come uno zaino. In questo modo è possibile trasportare facilmente il modello più piccolo degli aspi avvolgicavo, cosa particolarmente pratica quando si salgono le scale o quando si usano scale a pioli.

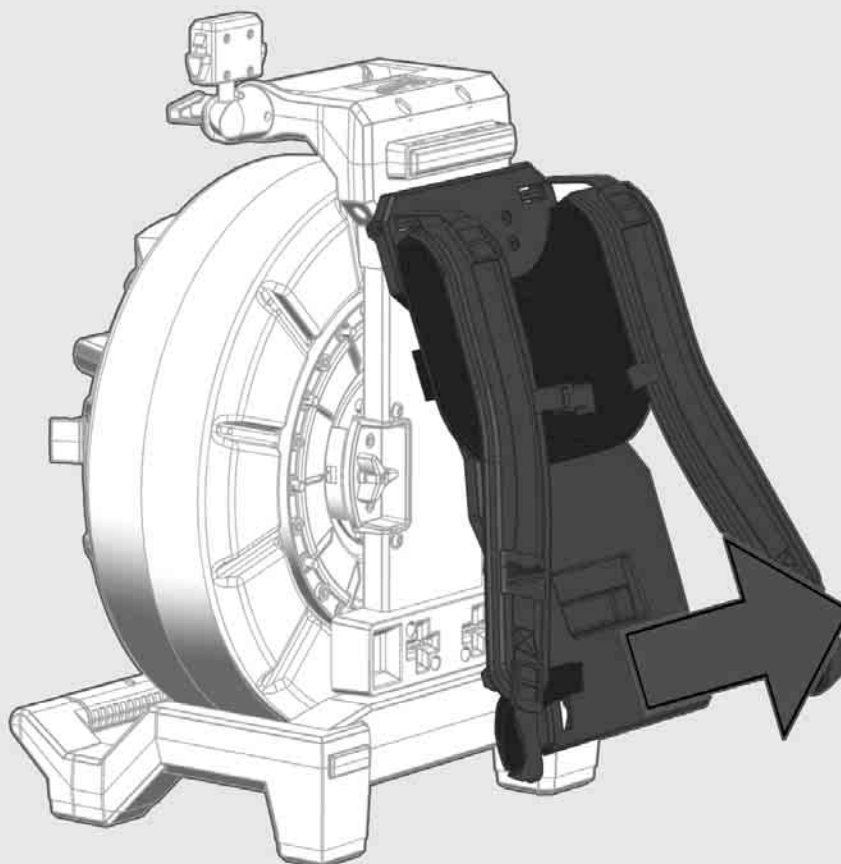


Agganciare il dispositivo di trasporto nella parte superiore e premere con il palmo della mano verso il basso fino a quando il dispositivo di trasporto non si innesta. Tirare brevemente il dispositivo di trasporto per assicurarsi che sia innestato.

**1**

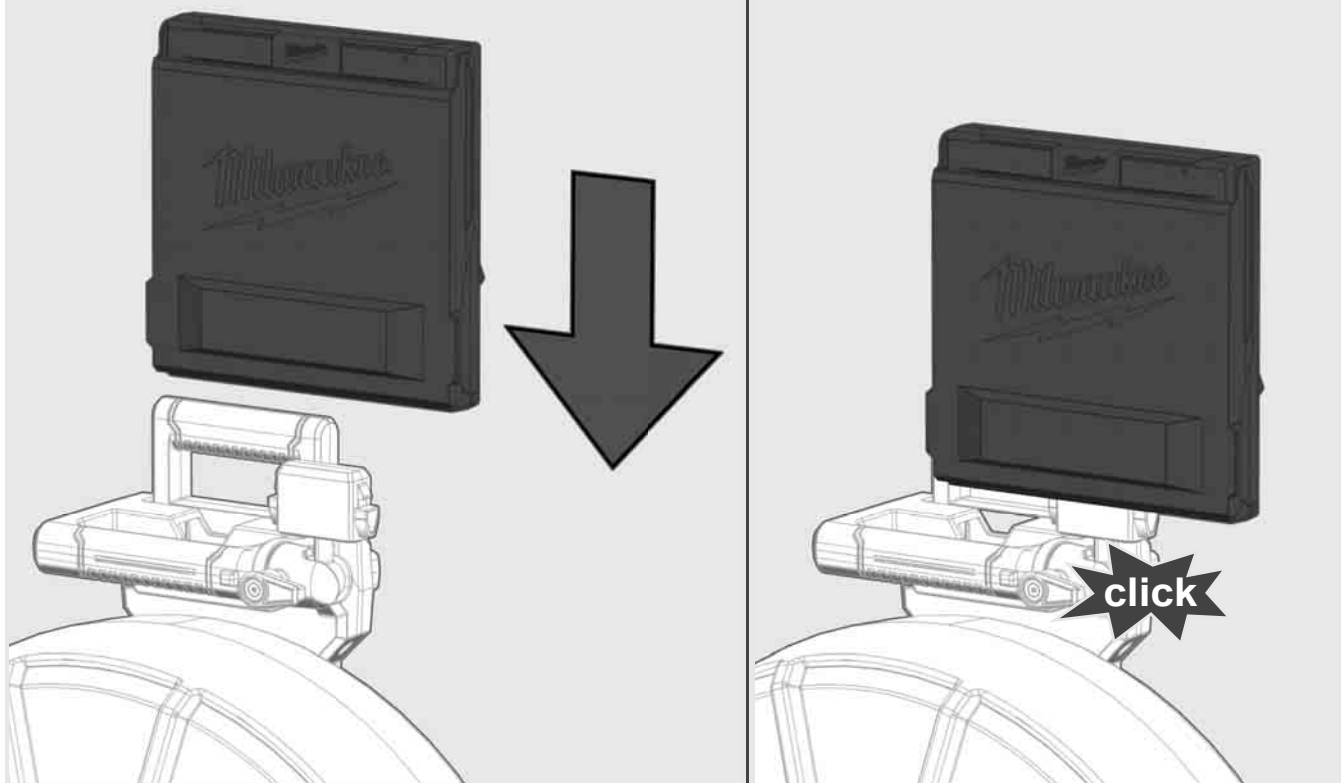


**2**

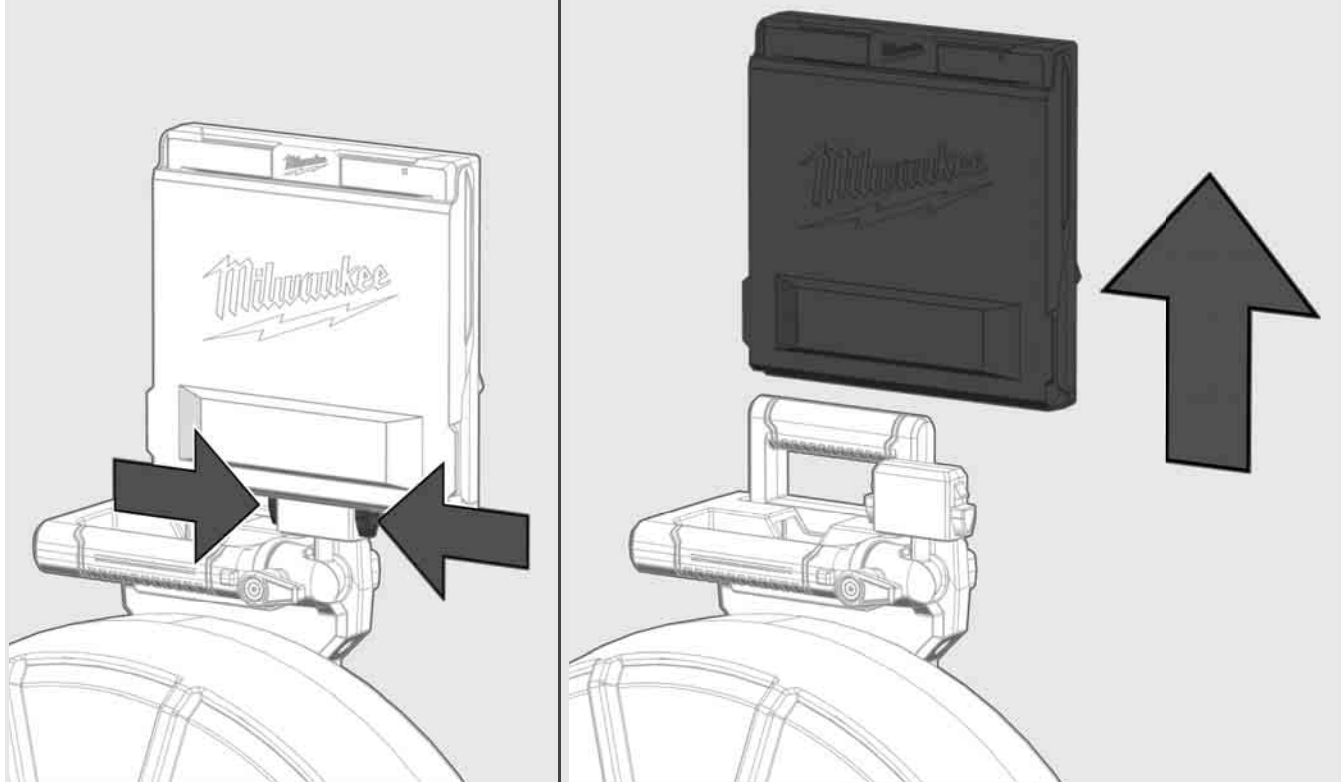


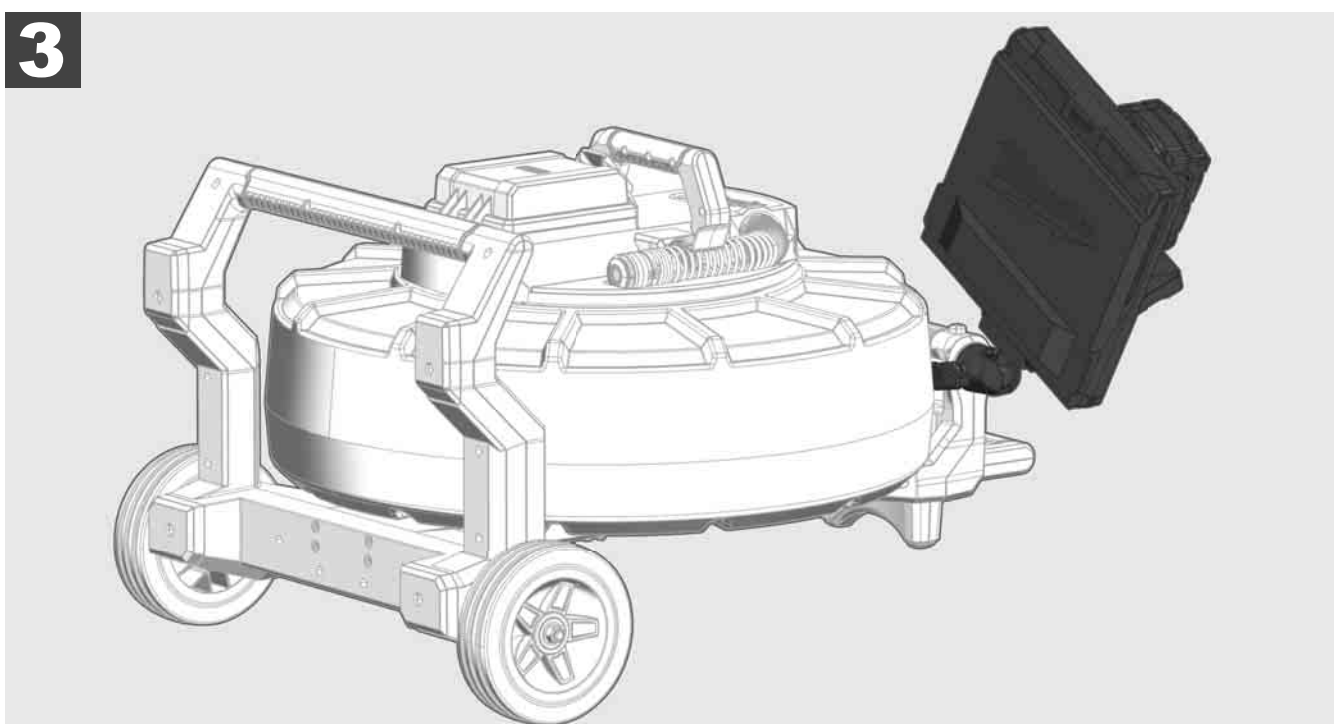
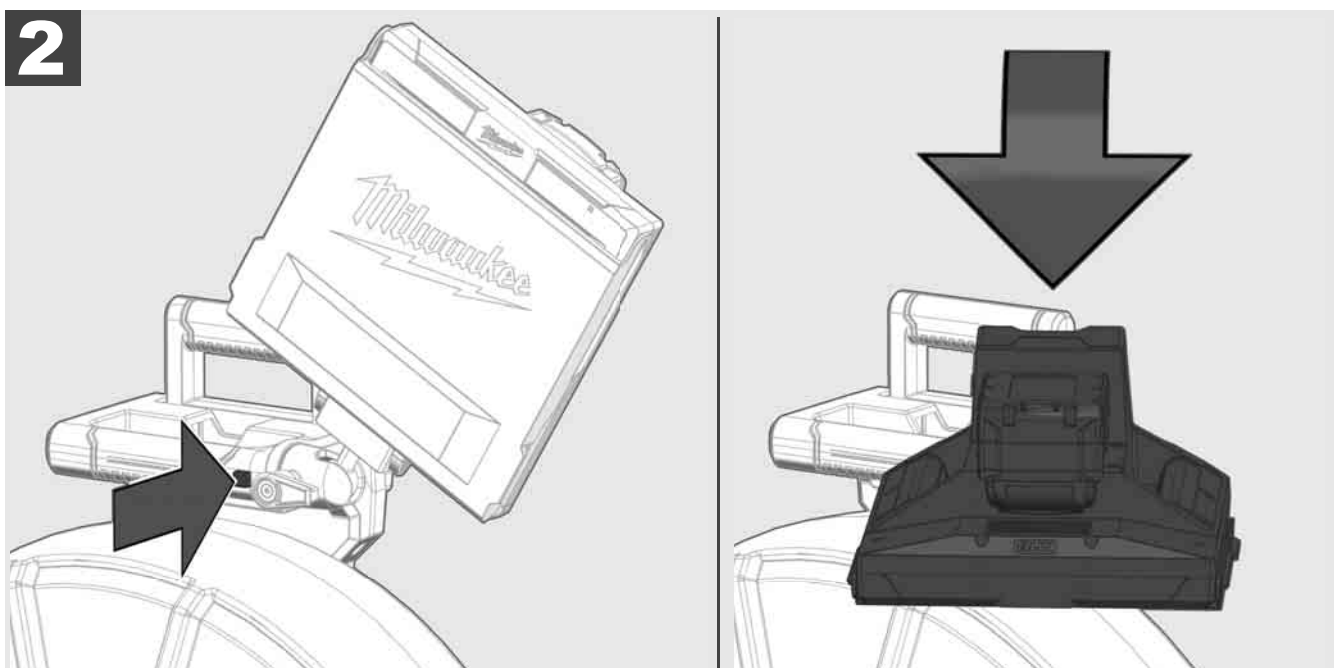
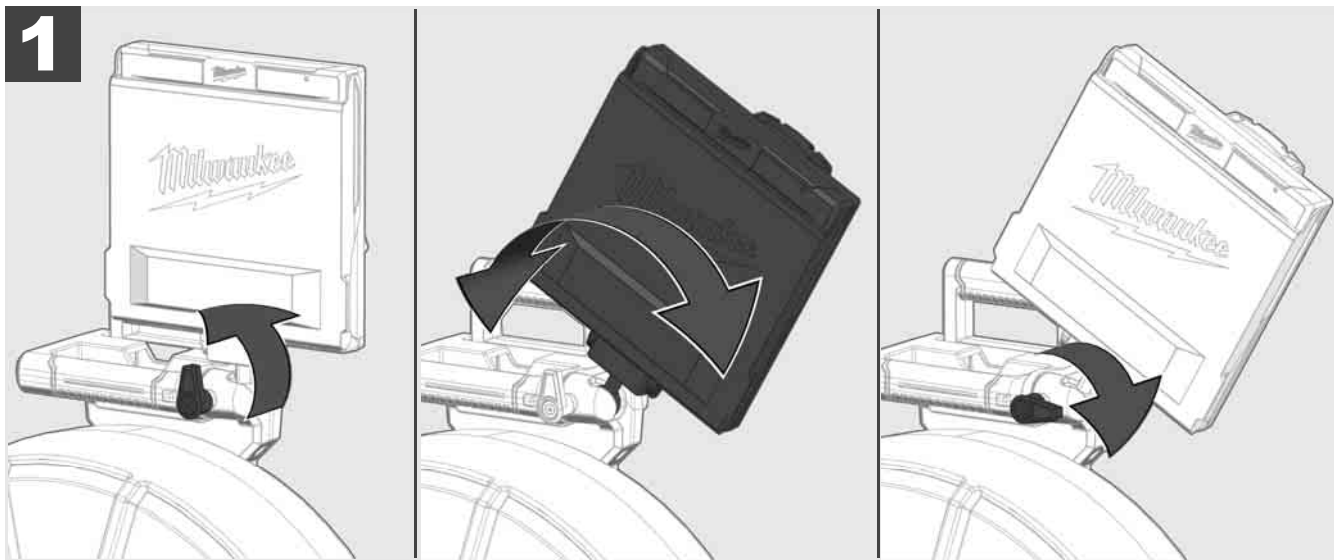


**1**



**2**





### 3.7 Uso dell'aspo avvolgicavo per ispezione tubi



Controllare che il cavo di spinta non presenti segni di usura; controllare durante il riavvolgimento che il cavo non presenti tagli, punti piegati e abrasioni. Se la guaina è talmente consumata che diventa visibile il trecciato kevlar giallo o bianco, il cavo di spinta deve essere sostituito. Se si utilizza un cavo di spinta con guaina danneggiata, l'acqua e l'umidità possono penetrare all'interno, pregiudicando la qualità delle immagini della telecamera o causando un guasto alla telecamera stessa.

La figura seguente mostra esempi di guaine gravemente danneggiate. Cavi di spinta che si trovano in questo stato devono essere sostituiti al più presto possibile.

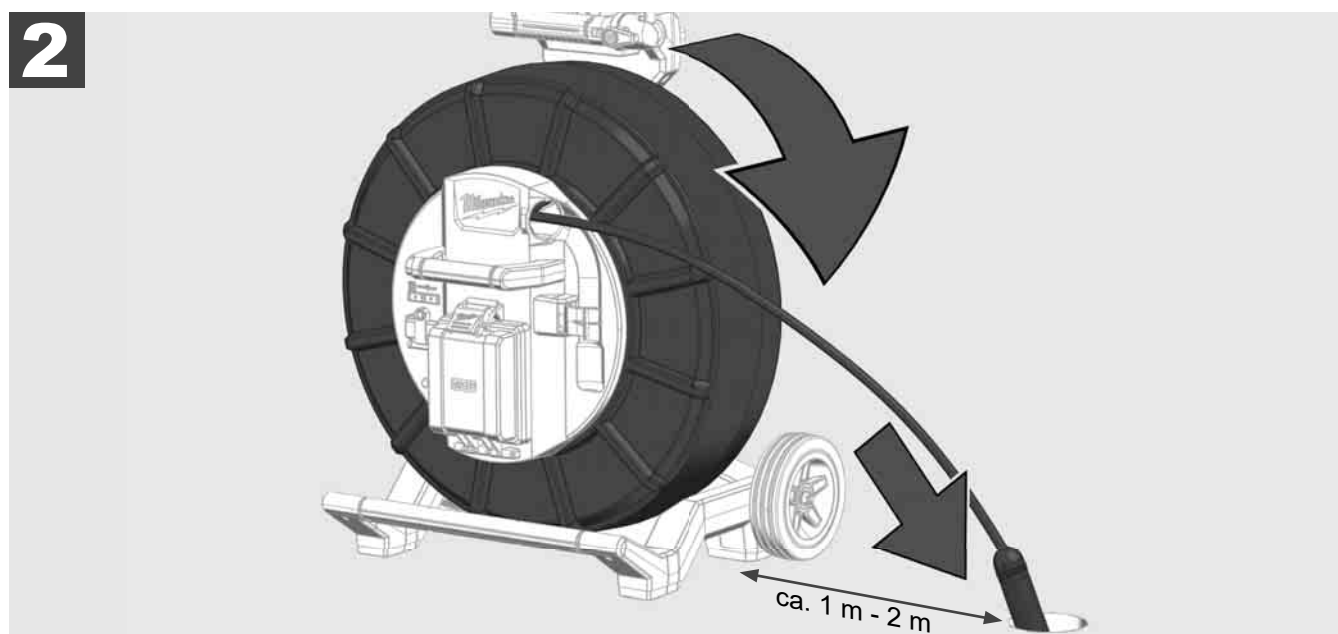
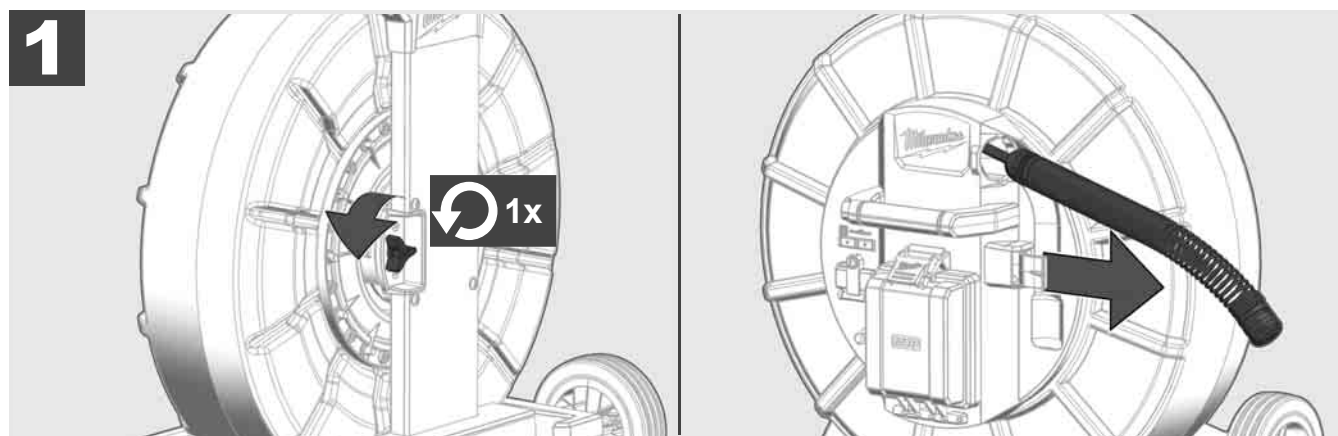


Mantenere sempre asciutto e pulito il cavo di spinta e il gruppo molla. Durante il riavvolgimento del cavo, pulirlo sempre con un panno pulito e asciutto. Al termine della giornata di lavoro, liberare la testina telecamera e la molla dai residui di sporcizia sotto l'acqua corrente procedendo con cura. Scuotere per rimuovere l'acqua, togliere l'acqua in eccesso con aria a bassa pressione e quindi asciugare le parti. Durante l'uso quotidiano, la testina telecamera, il cavo di spinta e le parti di collegamento sono esposti a sostanze chimiche aggressive. Un'accurata pulizia del sistema prolunga la vita delle suddette parti.

Maneggiare con cura il cavo di spinta. Non estrarre il cavo di spinta dall'aspo avvolgicavo bloccato. In caso contrario, il cavo sarà compresso nell'aspo avvolgicavo e sarà sottoposto a sollecitazioni eccessive. Spingendo il cavo di spinta all'indietro nell'aspo avvolgicavo bloccato, invece, si può causare il rovesciamento dell'aspo avvolgicavo o piegature acute del cavo.

Posizionare l'aspo avvolgicavo su un terreno pianeggiante a circa 1 o 2 metri di distanza dal punto di inserimento. In questo modo si lascia abbastanza spazio per gestire il cavo senza formare e trascinare sul pavimento spire o cappi del cavo. Se necessario, azionare il freno a frizione per rallentare il movimento del cavo di spinta.

Se l'aspo avvolgicavo è utilizzato in posizione orizzontale, si ha una maggiore area tra i piedini. Questo dà all'aspo avvolgicavo un supporto più stabile su un terreno irregolare e ne riduce l'altezza, un vantaggio in spazi ristretti.





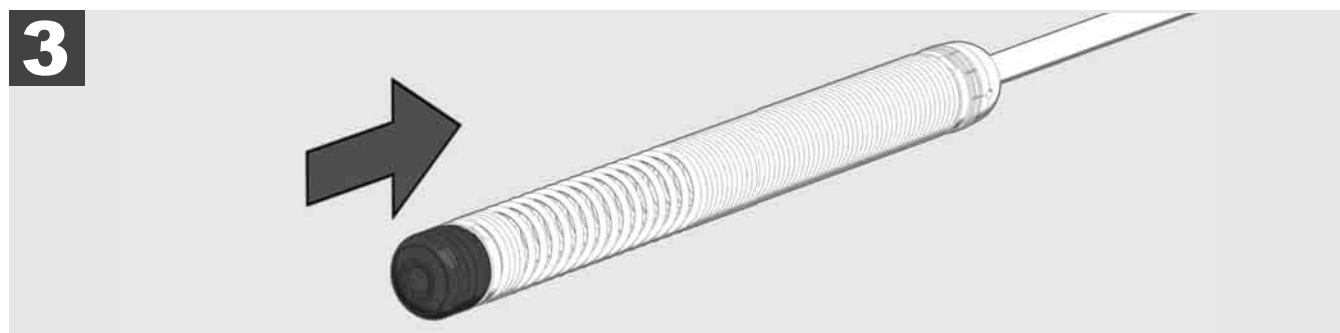
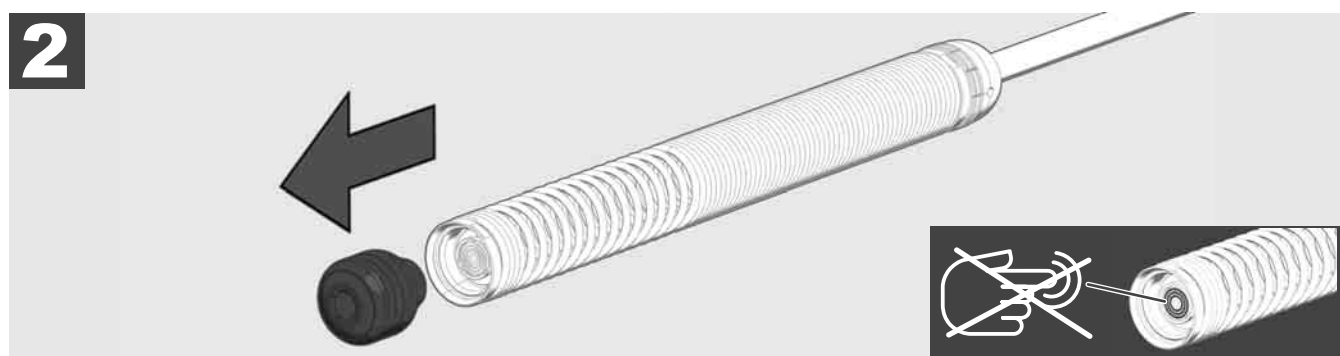
### 3.8 Gruppo testina telecamera



Se possibile, non toccare a mani nude il circuito stampato verde o i contatti dorati sul gruppo molla o sulla testina telecamera. In caso contrario, lo strato di grasso presente sulle dita si trasferirà a questi componenti, il che può portare alla loro prematura corrosione. Se possibile, indossare guanti di gomma puliti e asciutti.

Prima di rimuovere la testina telecamera, asciugarla e rimuovere i residui di sporco che potrebbero cadere nell'area di collegamento della telecamera.

Non stringere troppo e non usare una forza eccessiva!



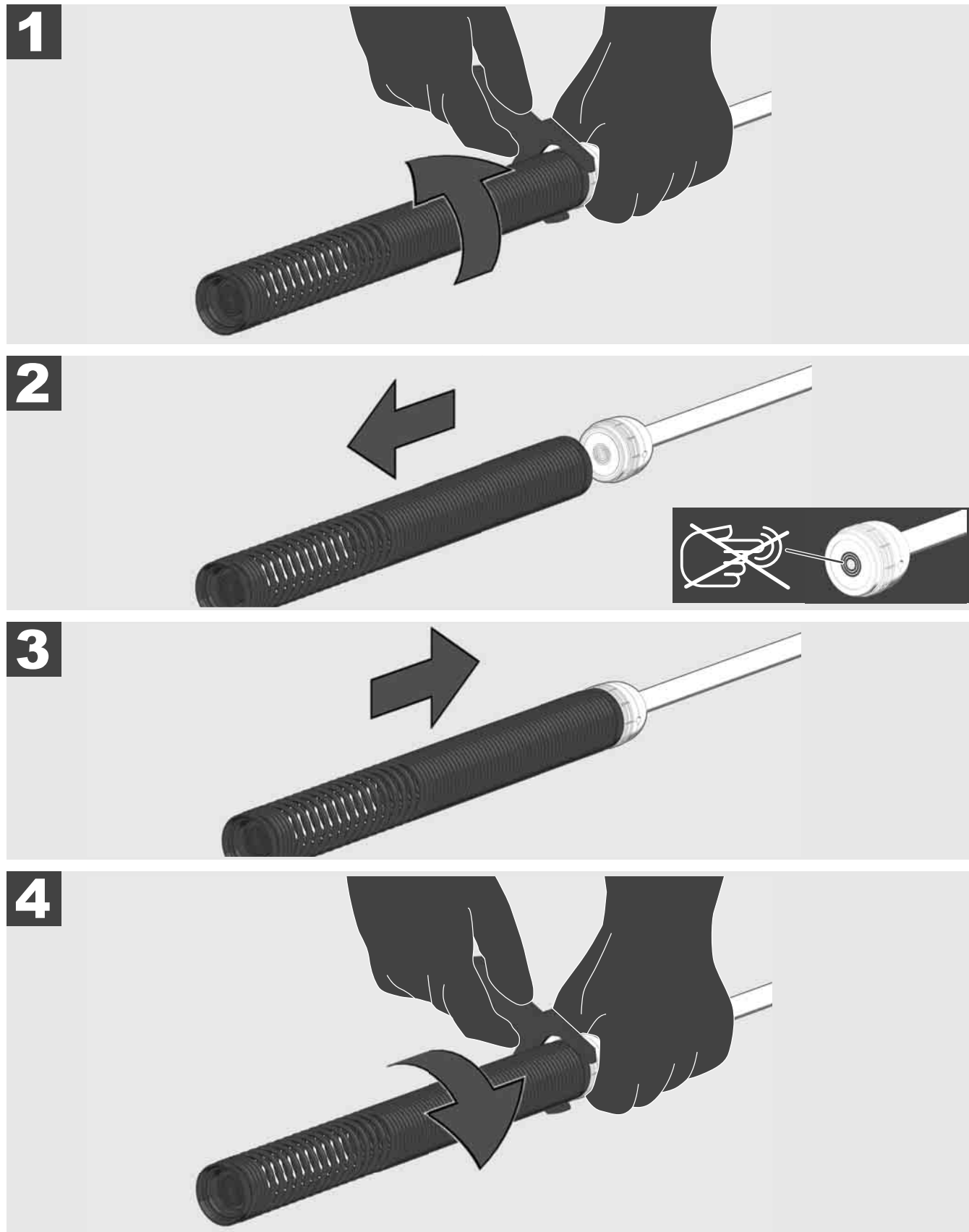
### 3.9 Gruppo molla



Se possibile, non toccare a mani nude il circuito stampato verde o i contatti dorati sul gruppo molla o sulla testina della telecamera. In caso contrario, lo strato di grasso presente sulle dita si trasferirà a questi componenti, il che può portare alla loro prematura corrosione. Se possibile, indossare guanti di gomma puliti e asciutti.

Prima di rimuovere la testina della telecamera, asciugarla e rimuovere i residui di sporco che potrebbero cadere nell'area di collegamento della telecamera.

Non stringere troppo e non usare una forza eccessiva!



### 3.10 Coperchio di protezione della telecamera

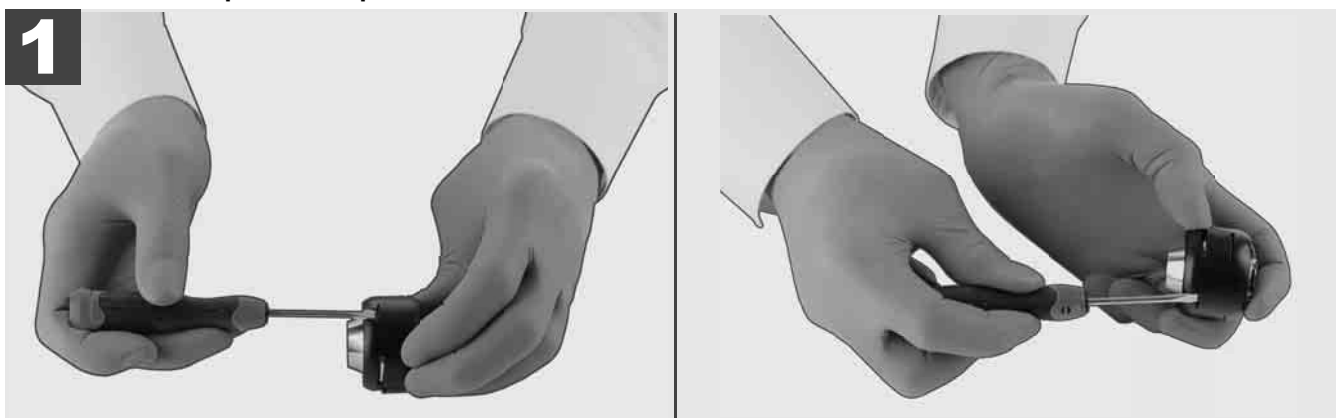


Coperchi di protezione adatti per testine telecamera con diametro 25 mm o 34 mm. Questi coperchi di protezione sono forniti con tutti gli ASPI AVVOLGICAVO PER ISPEZIONE TUBI e con tutte le testine telecamera di ricambio.

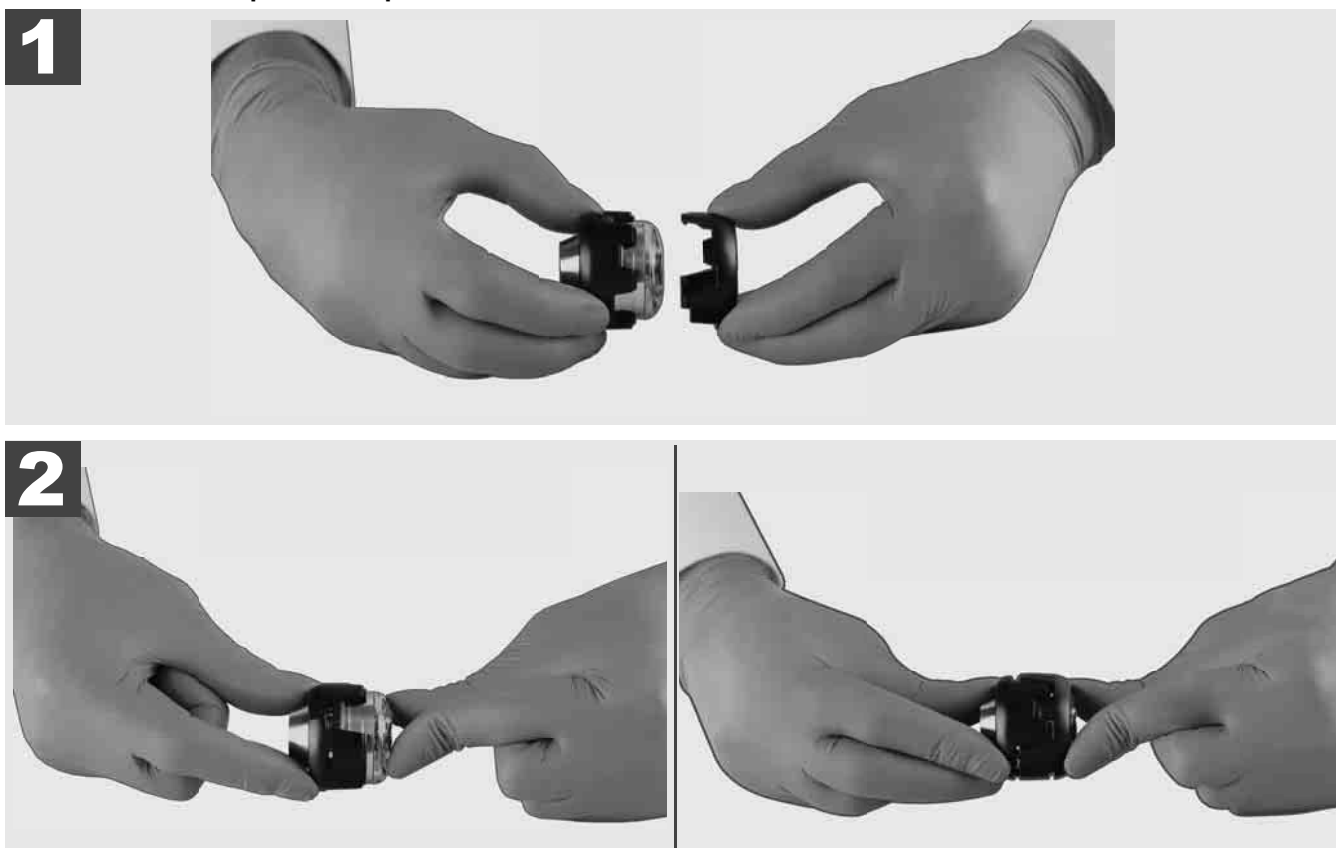
Guide da applicare sul gruppo molla in modo che la testina telecamera si muova ad una certa distanza dal pavimento del tubo senza entrare in contatto diretto con il tubo stesso.



#### Rimozione del coperchio di protezione



#### Installazione del coperchio di protezione



### 3.11 Guide per la telecamera



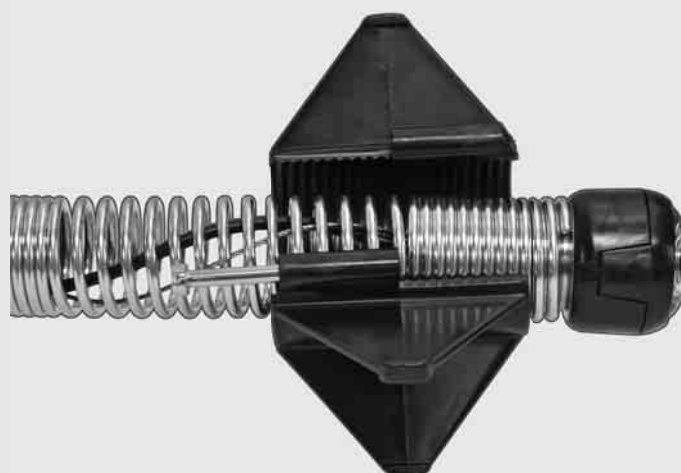
Sia per le testine telecamera larghe 25 mm che per quelle larghe 34 mm sono disponibili due diverse guide: una versione piccola da 75 mm e una versione media da 100 mm.

Guida telecamera da 25 mm

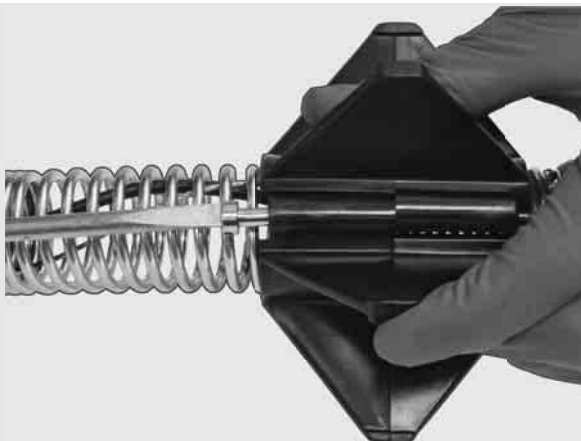
Guida telecamera da 34 mm



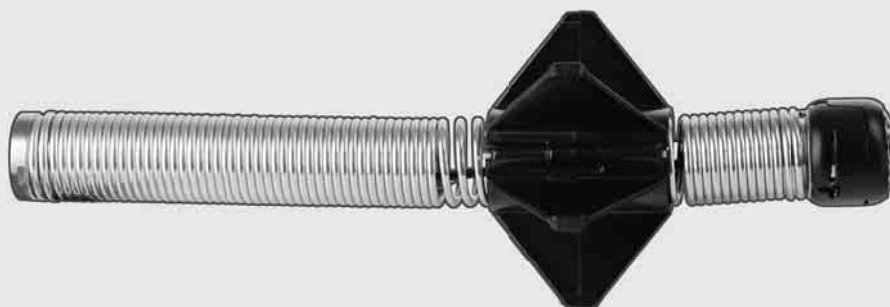
**1**



**2**



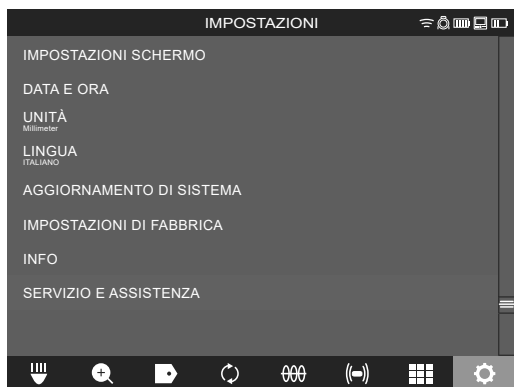
**3**




### 3.12 Servizio e assistenza

Se il vostro SISTEMA DI ISPEZIONE TUBI deve essere riparato, cliccando su SERVIZIO E ASSISTENZA troverete la pagina del servizio dedicata agli utensili Milwaukee con tutti i numeri telefonici importanti.


Selezionare **IMPOSTAZIONI**  → **SERVIZIO E ASSISTENZA**



**Milwaukee**  
Nothing but **HEAVY DUTY**®

click → 

**M18 SIC36**  
**M18 SIC60**  
**M18 SISH**

click → 

**M18 SIM**

click

1	Indicaciones generales .....	2
1.1	Reglamentos de seguridad especiales para sistemas de inspección de tuberías.....	2
1.2	Instrucciones adicionales de seguridad y laborales.....	2
1.3	Datos técnicos.....	3
1.4	Aplicación de acuerdo a la finalidad .....	3
1.5	Requisitos en materia de radiofrecuencia aplicables a instalaciones europeas.....	3
1.6	Declaración CE de conformidad .....	4
1.7	ONE-KEY™ .....	4
1.8	Baterías.....	4
1.9	Transporte de baterías de iones de litio .....	4
1.10	Mantenimiento.....	5
1.11	Símbolos .....	5
2	Smart Hub M18 SISH .....	6
2.1	Vista general del Smart Hub M18 SISH.....	6
2.2	Insertar y extraer la batería.....	7
2.3	Comprobar el nivel de carga de la batería .....	8
2.4	Insertar el Smart Hub M18 SISH .....	9
2.5	Retirar el Smart Hub M18 SISH .....	10
2.6	Interruptor de encendido / apagado.....	11
2.7	Conectar el monitor.....	12
2.8	Puertos USB .....	13
2.9	Varilla de puesta a tierra .....	14
2.10	Restablecer el contador de longitud .....	15
2.11	Conector de prueba de la cámara .....	16
2.12	Formatear la unidad de disco duro interno y la memoria USB .....	17
2.13	Configuración de fábrica .....	18
2.14	Actualización del sistema.....	19
3	CARRETES DE INSPECCIÓN DE TUBERÍAS .....	21
3.1	Vista general del carrete de inspección de tuberías M18 SIC36 .....	21
3.2	Vista general del carrete de inspección de tuberías M18 SIC60 .....	22
3.3	Instalar el equipo de transporte .....	23
3.4	Quitarse el equipo de transporte .....	24
3.5	Instalar el monitor inalámbrico M18 SIM .....	25
3.6	Configurar el monitor inalámbrico M18 SIM .....	26
3.7	Uso del carrete de inspección de tuberías .....	27
3.8	Componente del cabezal de la cámara .....	28
3.9	Componente de resorte .....	29
3.10	Tapa protectora de la cámara .....	30
3.11	Guías de la cámara .....	31
3.12	Servicio y soporte.....	32

# 1 INDICACIONES GENERALES

## 1.1 Reglamentos de seguridad especiales para sistemas de inspección de tuberías

Cuando se trabaja en el interior de tuberías, hay que tener cuidado de que estas no estén bajo tensión o cargadas eléctricamente. Los tubos no deben contener ningún tipo de líquido. La cámara y el dispositivo no pueden entrar en contacto con líquido alguno.

La cámara y el cable no deben entrar en contacto con aceite, gas u otros materiales corrosivos.

Para reducir el riesgo de explosiones, descargas eléctricas y daños materiales, comprobar el área de trabajo antes de realizar alguna tarea. El cable no debe entrar en contacto con componentes eléctricos, sustancias químicas o partes móviles.

Para reducir el riesgo de daños al dispositivo, no se debe aplicar demasiada fuerza ni doblar el cable. No utilizar la cámara de inspección y el cable en zonas en las que podrían entrar en contacto con sustancias corrosivas o aceitosas.

No utilizar el cable para eliminar obstrucciones u obstáculos. ¡No es un limpiador de tubos!

Si el tubo de desagüe que se debe inspeccionar contiene sustancias químicas, bacterias u otras sustancias tóxicas o agentes infecciosos, use dentro de los guantes de protección recomendados por el fabricante guantes de látex o de goma, así como gafas protectoras, protectores faciales, ropa de protección y máscara de protección respiratoria. Las tuberías pueden contener sustancias químicas, bacterias u otras sustancias, que pueden ser tóxicas o infecciosas y provocar quemaduras u otras lesiones graves.

Respete las normas de higiene. No coma ni fume mientras trabaje con el dispositivo. Después de manejar o usar el sistema de inspección de tuberías siempre se deben limpiar con agua caliente y jabón las manos y aquellas partes del cuerpo que han estado en contacto con el contenido del tubo. De esta forma reducirá los riesgos para la salud debidos al contacto con sustancias tóxicas o infecciosas.

Antes de su uso, compruebe que el cable no presenta marcas de desgaste o daños. Sustituya todo cable desgastado o dañado antes de usar el dispositivo.

¡CUIDADO! Se ha de tener cuidado al transportar el sistema de inspección de tuberías con un equipo de transporte colocado sobre la espalda. Usted podría perder el equilibrio.

Utilice siempre el dispositivo con prudencia y cuidado. Es imposible prever todas las situaciones de riesgo. No utilice este dispositivo si no comprende lo indicado en este manual o el trabajo le sobrepasa. Póngase en contacto con Milwaukee o un especialista cualificado si desea recibir información adicional o cursos de formación.

No retirar las etiquetas ni las placas de características. Estas placas contienen informaciones importantes. Si faltan estas placas indicativas o dejan de ser legibles, póngase en contacto con el servicio de atención al cliente de MILWAUKEE para recibir un recambio de forma gratuita.

Ciertos tipos de polvo producido por máquinas rectificadoras, sierras o taladradoras y durante otros trabajos de construcción pueden contener sustancias químicas cancerígenas, provocar malformaciones congénitas o afectar negativamente a la fertilidad. Algunos ejemplos de este tipo de sustancias químicas son los siguientes:

- plomo de pinturas de color a base de plomo,
- dióxido de silicio cristalino de ladrillos, cemento u otro tipo de productos de mampostería, así como
- arsénico o cromo de madera de construcción tratada con productos químicos.

El riesgo por exposición depende de la frecuencia con la que realice este tipo de tareas. Para mantener el riesgo por exposición lo más reducido posible, trabaje siempre en zonas bien ventiladas. Lleve siempre puesto un equipo de protección con homologación oficial, como, por ejemplo, máscaras contra el polvo con filtro de micropartículas.

## 1.2 Instrucciones adicionales de seguridad y laborales

No sustituya la batería cuando la superficie del dispositivo está mojada.

No tire las baterías usadas a la basura ni al fuego. Los distribuidores de Milwaukee ofrecen un servicio de recogida de baterías usadas para proteger el medio ambiente.

No almacene las baterías con objetos metálicos (riesgo de cortocircuito).

Recargar las baterías del sistema M18 solamente en cargadores M18. No utilice ninguna batería de otros sistemas.

En caso de sobrecarga o temperatura extrema, pueden llegar a producirse pérdidas de líquido de baterías dañadas. En caso de contacto con dicho líquido, limpie inmediatamente la zona con agua y jabón. Si el contacto se produce en los ojos, límpiense concienzudamente con agua durante 10 minutos y acuda inmediatamente a un médico.

**¡Advertencia!** Para reducir el riesgo de incendio, lesiones personales y daños al producto debido a un cortocircuito, no sumerja el dispositivo, la batería o el cargador en ningún líquido ni permita que fluya algún fluido dentro de ellos. Los líquidos corrosivos o conductivos como el agua salada, ciertas sustancias químicas, blanqueadores o productos que contienen sustancias blanqueadoras, pueden producir un cortocircuito.

Este dispositivo no debe ser manejado o limpiado por personas cuyas capacidades físicas, sensoriales o mentales sean reducidas, o por personas sin experiencia o conocimientos, a no ser que estas hayan sido instruidas en el manejo seguro del aparato por una persona legalmente responsable de su seguridad. Las personas arriba mencionadas deben ser supervisadas durante el uso del dispositivo. Este aparato no debe ser utilizado por niños. En caso de no ser utilizado, el dispositivo se debe guardar de forma segura y mantener fuera del alcance de los niños.

### 1.3 Datos técnicos

	M18 SIC36	M18 SIC60	M18 SISH
Longitud de cable de la cámara .....	36 m.....	60 m.....	
Cabezal de la cámara .....	Ø 25 mm.....	Ø 34 mm.....	
Aumento máx. ....	4x .....	4x.....	
Tensión de batería.....			18 V
Peso de acuerdo con el procedimiento EPTA 01/2014 (4.0 Ah / 12 Ah) .....	12,4 kg.....	20,46 kg.....	5,37 kg
Banda(s) de frecuencia Bluetooth.....			2402-2480 MHz
Potencia de alta frecuencia.....			1,8 dBm
Versión Bluetooth .....			4.0 Modo de señal BT
Temperatura ambiente recomendada durante el trabajo .....	-18 .....	+50 °C	
Tipos de batería recomendados.....		M18B....; M18HB....	
Cargadores recomendados.....	M12-18C, M12-18AC, M12-18FC, M1418C6		

### 1.4 Aplicación de acuerdo a la finalidad

El sistema de inspección de tuberías se usa para el control visual y la inspección de tuberías. El sistema está formado por tres módulos:

#### - Carrete de inspección de tuberías M18 SIC36 o M18 SIC60

El carrete de inspección de tuberías se usa para desenrollar y enrollar el cable de empuje, así como para controlarlo. Los carretes están disponibles en dos tamaños: M18SIC36 para tubos de un diámetro de 50 mm a 150 mm y el modelo más grande, M18SIC60, para tubos de un diámetro de 75 mm a 250 mm.

Ambos carretes cuentan con un cable de empuje con componente de resorte sobre el que se monta el cabezal autonivelante de la cámara. El monitor inalámbrico M18 SIM y el Smart Hub M18 SISH se pueden usar con ambos carretes.

Ambos carretes se pueden colocar tanto en posición vertical como horizontal. Es posible sujetar un equipo de transporte a la parte posterior del M18 SIC36 para poder llevar el dispositivo sobre la espalda.

#### - Smart Hub M18 SISH

El Smart Hub M18 SISH se usa para controlar el sistema de inspección de tuberías.

El monitor inalámbrico M18 SIM o la tableta en la que se encuentra instalada la app de inspección de tuberías de Milwaukee® se conecta con el Smart Hub M18 SISH para recibir las grabaciones de vídeo y las fotografías. Tanto los vídeos como las imágenes se guardan en la unidad de disco duro interno del Smart Hub M18 SISH.

#### - Monitor inalámbrico M18 SIM (no está incluido en la entrega; se puede adquirir por separado)

El monitor inalámbrico M18 SIM permite visualizar los vídeos grabados por el cabezal de la cámara, grabar vídeos y hacer fotografías, así como reproducir archivos de vídeo y de imagen. Durante la grabación de vídeo se pueden grabar comentarios verbales mediante el micrófono interno. A través de la función «Marcados de identificación» también es posible añadir comentarios escritos. Los comentarios escritos se muestran en el vídeo grabado, apareciendo en las fotografías junto con la fecha, la hora y la longitud desenrollada de cable.

No utilice este dispositivo para ninguna otra aplicación que no sea su uso normal.

### 1.5 Requisitos en materia de radiofrecuencia aplicables a instalaciones europeas

Nota: Este dispositivo ha sido probado y cumple con los valores máximos de un receptor de la categoría 3 conforme a EN 300 440 V2.1.1.

Estos valores máximos deben asegurar una protección adecuada contra las interferencias radioeléctricas en edificios de viviendas.

Este dispositivo reacciona antes otros dispositivos que emiten ondas de radio en un rango de frecuencia de 2402 a 2840 MHz. Ello puede provocar fallos al usar el mando a distancia. No se puede excluir la posibilidad de que se produzcan fallos en determinadas circunstancias. Para comprobar si las señales de radio de otros dispositivos interfieren con este dispositivo es necesario desconectar brevemente los otros dispositivos para verificar



entonces si desaparecen tales interferencias. Las siguientes medidas pueden ser útiles para subsanar las interferencias:

- Desconectar la fuente de interferencias.
- Aumentar la distancia respecto de la fuente de interferencias.
- Consultar un distribuidor especializado o un técnico en radiofrecuencia debidamente cualificado.

## 1.6 Declaración CE de conformidad

Por la presente, Techtronic Industries GmbH declara que el tipo de equipo radioeléctrico M18SISH es conforme a la Directiva 2014/53/UE. El texto completo de la declaración UE de conformidad está disponible en la siguiente página web: <http://services.milwaukeeetool.eu>

## 1.7 ONE-KEY™

Para obtener más información sobre el funcionamiento de este dispositivo, sírvase leer la guía de inicio rápido del anexo o visite nuestra página web en internet [www.milwaukeeetool.com/one-key](http://www.milwaukeeetool.com/one-key). Puede descargar la app ONE-KEY de la App Store o de Google Play en su teléfono inteligente.

Si se producen descargas electrostáticas se interrumpe la conexión de Bluetooth. En este caso se habrá de restablecer la conexión de forma manual.

El aparato cumple con los requisitos mínimos de conformidad con EN 55014-2:2015 / EN 301489-1 V2.2.3 / EN 301489-17 V3.1.1.

### Indicador ONE-KEY™

Iluminación en azul: La conexión por radio está activa y se puede ajustar mediante la app ONE-KEY™.

Parpadeo en azul: El dispositivo está comunicando con la app ONE-KEY™.

Parpadeo en rojo: Se ha bloqueado el dispositivo por razones de seguridad y puede ser desbloqueado por el operador a través de la app ONE-KEY™.

## 1.8 Baterías

Las baterías no utilizadas durante cierto tiempo deben ser recargadas antes de usar el dispositivo.

Las temperaturas superiores a 50°C reducen el rendimiento de la batería. Evite una exposición excesiva a fuentes de calor o al sol.

Los puntos de contacto de los cargadores y la batería se deben mantener limpios.

Para una vida útil óptima, deberá cargarse la batería completamente después de su uso.

Para garantizar la máxima capacidad y vida útil, la batería se debería retirar del cargador una vez finalizada la carga.

En caso de almacenar la batería más de 30 días:

Almacenar la batería en un lugar seco a una temperatura inferior a 27 °C.

Almacenar la batería con un nivel de carga del 30% al 50% aproximadamente.

Recargar la batería cada 6 meses.

## 1.9 Transporte de baterías de iones de litio

A las baterías de iones de litio se aplican las disposiciones legales relativas al transporte de mercancías peligrosas.

El transporte de estas baterías debe llevarse a cabo cumpliendo las normas y disposiciones locales, nacionales e internacionales.

- Los consumidores pueden transportar estas baterías sin el menor reparo en la calle.
- El transporte comercial de baterías de iones de litio por empresas de transportes está sometido a las disposiciones del transporte de mercancías peligrosas. Las preparaciones para el envío y el transporte deben ser llevadas a cabo exclusivamente por personas instruidas adecuadamente. El proceso completo debe ser supervisado por personal competente.

Para el transporte de las baterías se deben tener en cuenta los siguientes puntos:

- Se debe asegurar que los contactos estén protegidos y aislados para evitar que se produzcan cortocircuitos.
- Preste atención a que la batería no se pueda desplazar dentro de su embalaje.
- Las baterías deterioradas o que han sufrido derrames no se deben transportar.










Rogamos que para cualquier información adicional se dirija a su empresa de transportes.

## 1.10 Mantenimiento

Solo se deben utilizar accesorios y piezas de repuestos Milwaukee. Piezas cuyo recambio no está descrito en las instrucciones de uso, deben sustituirse en un centro de asistencia técnica Milwaukee (consulte el folleto Garantía/Direcciones de Centros de Asistencia Técnica).

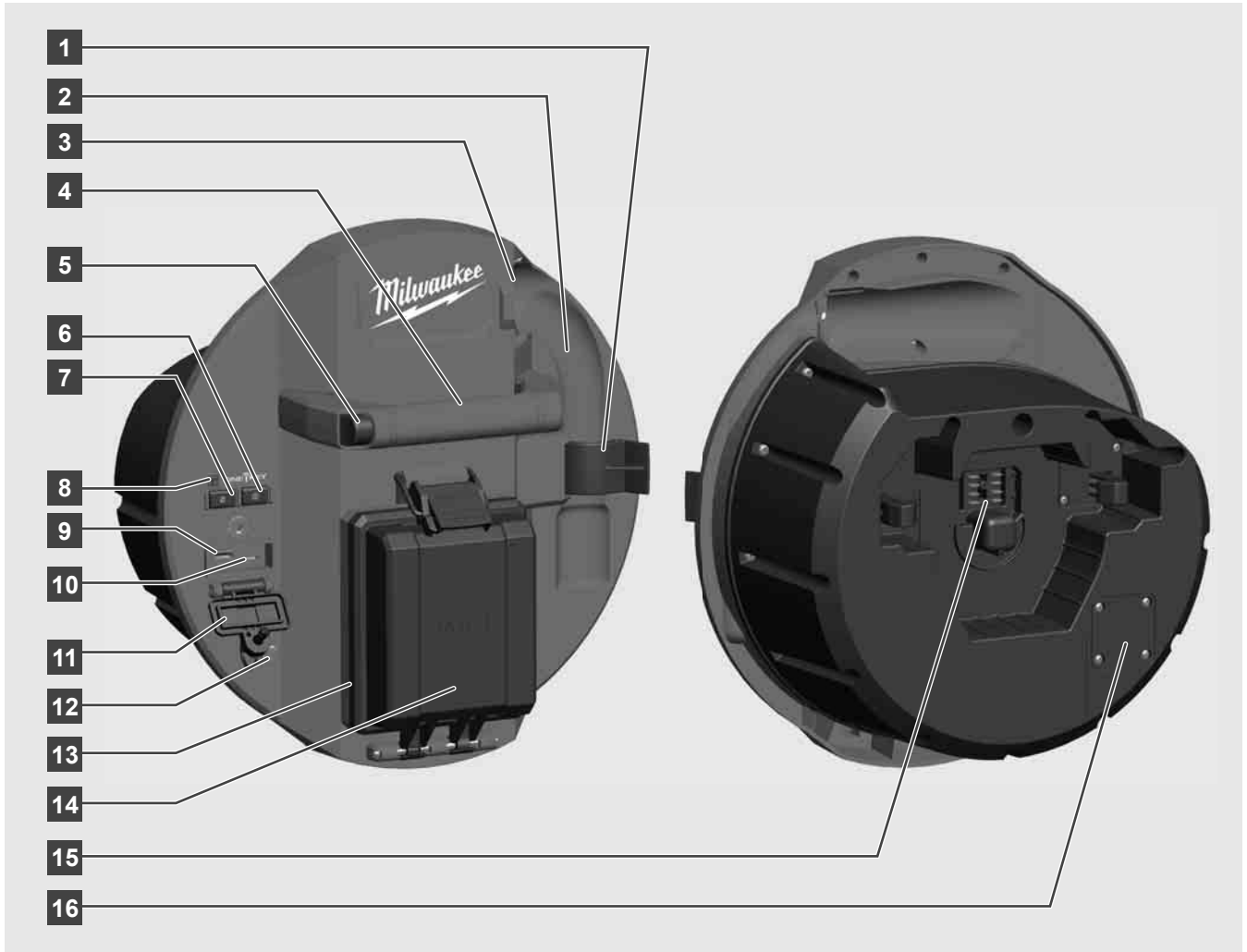
Puede solicitar, si así fuese necesario, una vista despiezada del aparato indicando para ello el tipo de máquina y el número de seis dígitos en la placa indicadora de potencia en su centro de asistencia técnica o directamente en Techtronic Industries GmbH, Max-Eyth-Straße 10, 71364 Winnenden, Alemania.

## 1.11 Símbolos

	¡ATENCIÓN! ¡ADVERTENCIA! ¡PELIGRO!
	Retire la batería antes de comenzar cualquier trabajo en el dispositivo.
	Lea las instrucciones detenidamente antes de conectar el dispositivo.
	¡Usar guantes protectores!
	Para trabajar con el dispositivo, utilizar siempre gafas de protección.
	Los electrodomésticos y las baterías/acumuladores no se deben desechar junto con la basura doméstica. Los electrodomésticos y las baterías recargables se deben recoger por separado y se deben entregar a una empresa de reciclaje para una eliminación de residuos respetuosa con el medio ambiente. Infórmese en las autoridades locales o en su distribuidor especializado sobre los centros de reciclaje y los puntos de recogida.
	Tensión
	Corriente continua
	Marcado de conformidad europeo
	Marcado de conformidad británico
	Marcado de conformidad ucraniano
	Marcado de conformidad euroasiático

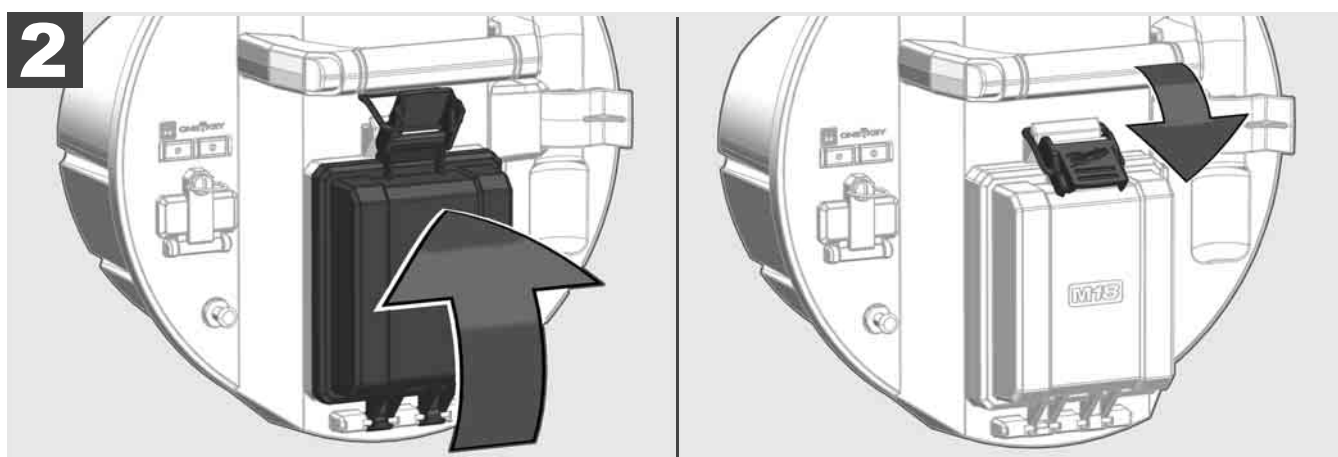
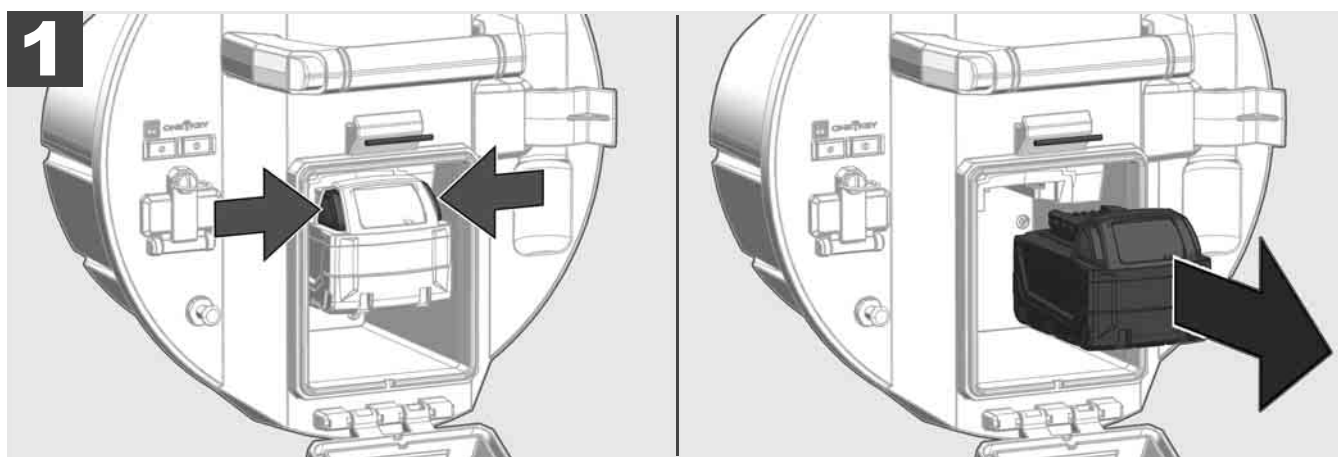
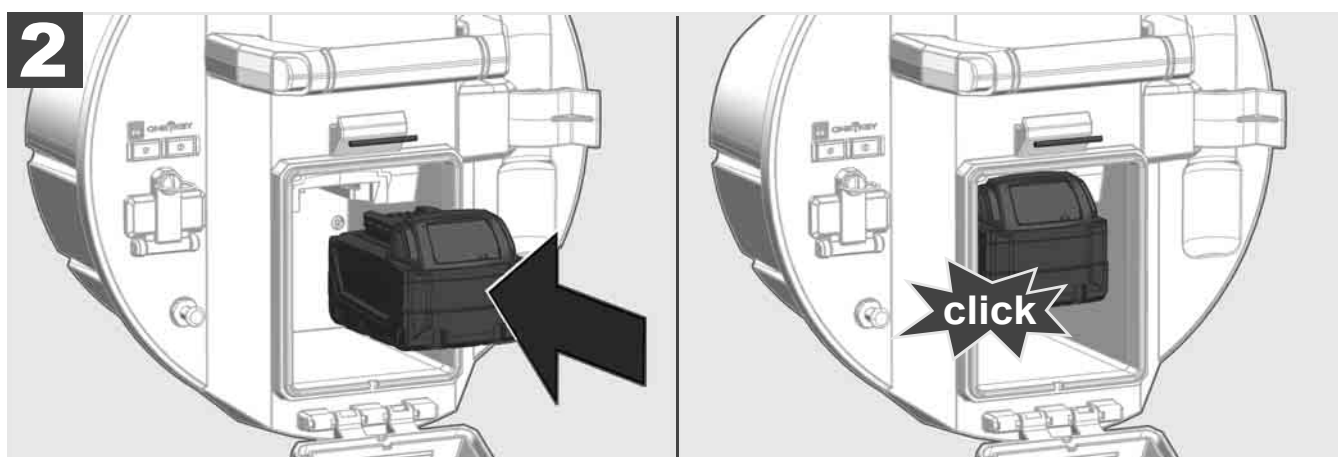
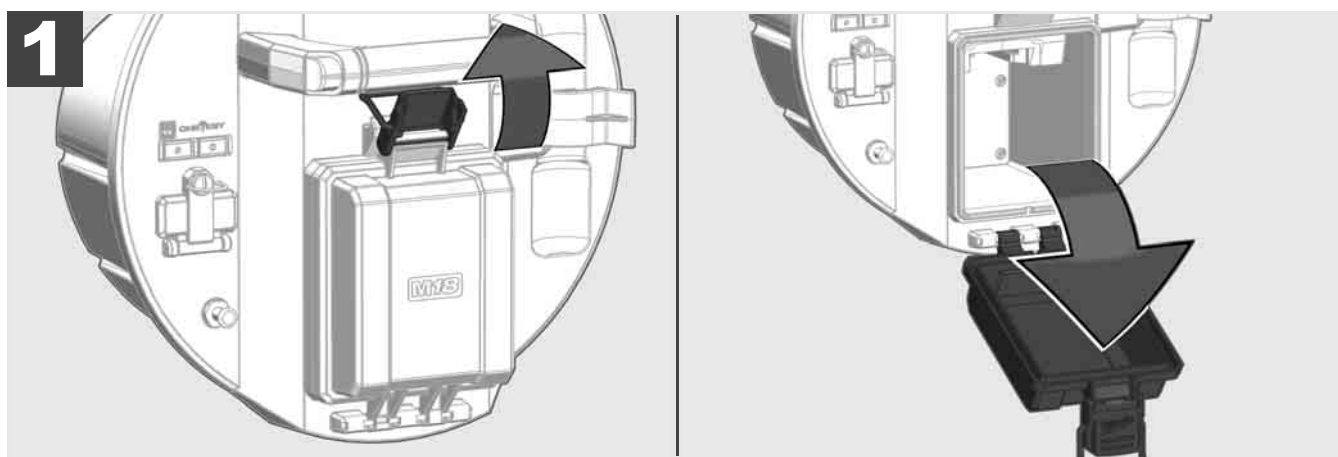
## 2 SMART HUB M18 SISH

### 2.1 Vista general del Smart Hub M18 SISH



- 1 Clip de seguridad del resorte – Para asegurar el resorte y la cámara durante el transporte.
- 2 Alojamiento del resorte – Permite que el resorte y la cámara se mantengan en su sitio durante el transporte y el almacenamiento.
- 3 Guía de cable – Se ha de ensartar el resorte y el cable a través de esta guía antes de que el Smart Hub quede enclavado.
- 4 Empuñadura
- 5 Botón de desbloqueo – Pulsar este botón para soltar el Smart Hub del carrito de inspección de tuberías.
- 6 Interruptor principal – Pulsar brevemente una sola vez para encender el dispositivo; mantener pulsado para apagar el dispositivo.
- 7 Botón para restablecer la longitud de cable – Pone a cero la longitud del cable desenrollado.
- 8 Indicador LED ONE-KEY
- 9 Puerto USB tipo A – Para guardar directamente vídeos y fotografías, así como para las actualizaciones de firmware.
- 10 Puerto USB tipo C – Conexión opcional de alimentación eléctrica y de datos para conectar el monitor inalámbrico M18 SIM con el Smart Hub.
- 11 Tapa de conectores USB – Tapa impermeable que protege los conectores contra el polvo y la humedad.
- 12 Varilla de puesta a tierra – Para la puesta a tierra del Smart Hub mientras se realiza el rastreo del cable de empuje.
- 13 Tapa de la batería – Tapa impermeable que protege la batería contra el polvo y la humedad.
- 14 Compartimento de batería – Para una batería M18™
- 15 Conector para la conexión entre el Smart Hub y el carrito de inspección de tuberías.
- 16 Conector de prueba de la cámara – Para la eliminación de fallos en caso de problemas con el cabezal de la cámara

## 2.2 Insertar y extraer la batería



## 2.3 Comprobar el nivel de carga de la batería



78-100 %



55-77 %



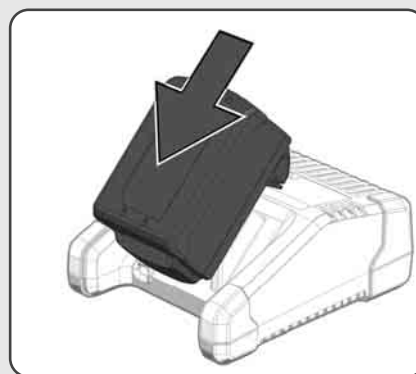
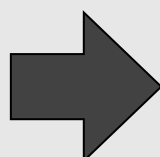
33-54 %

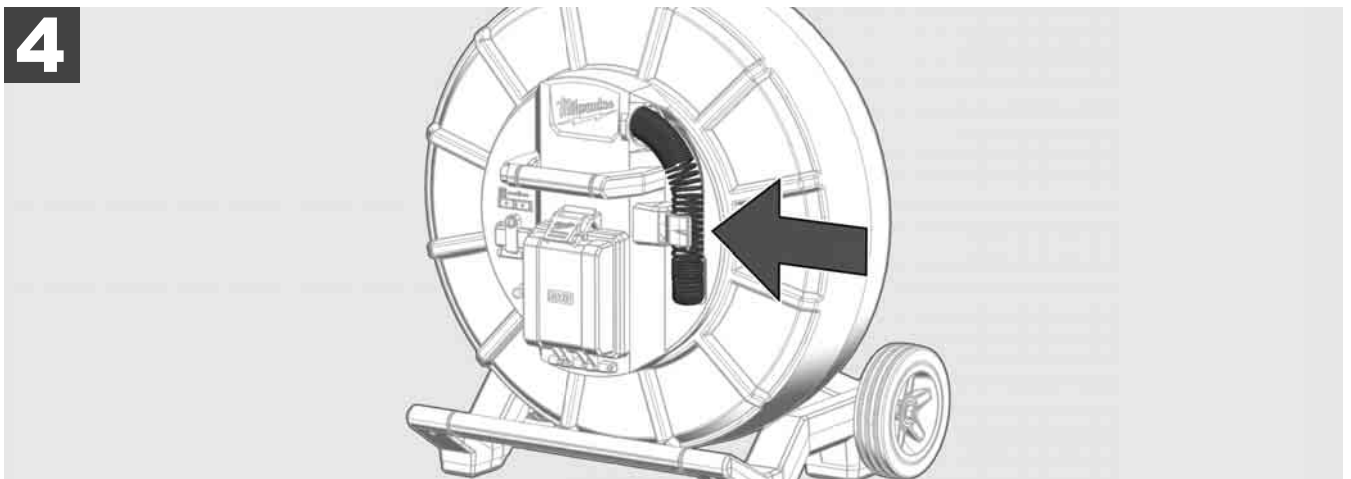
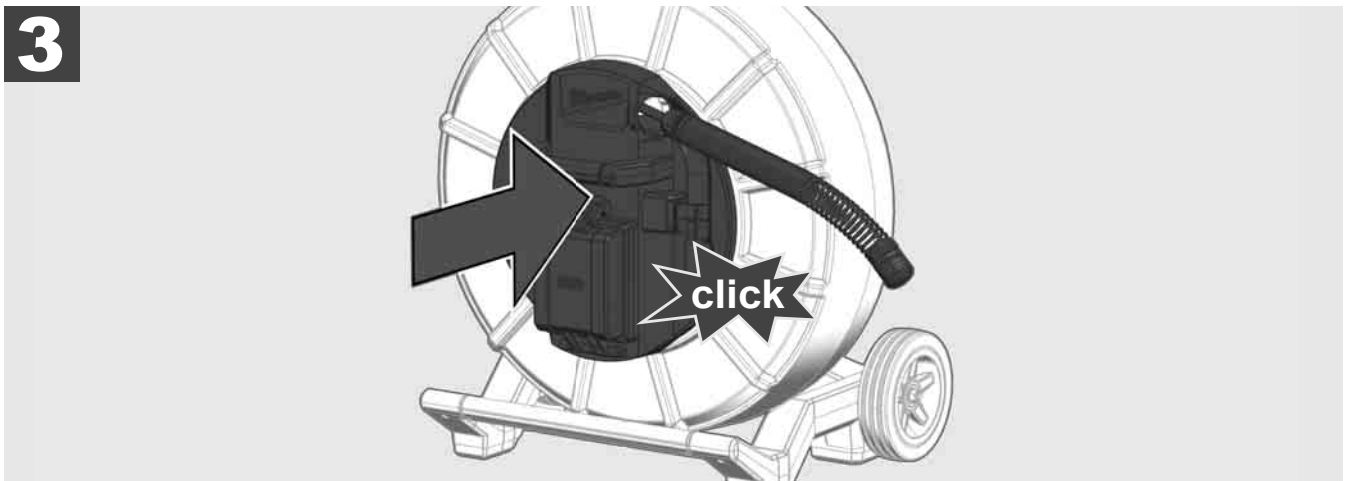
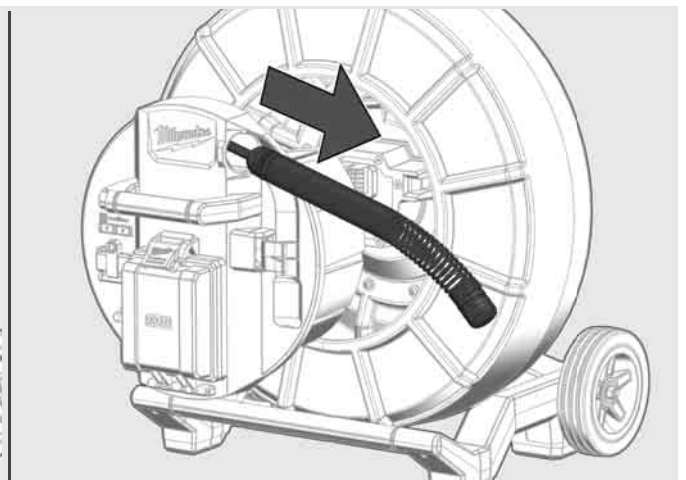
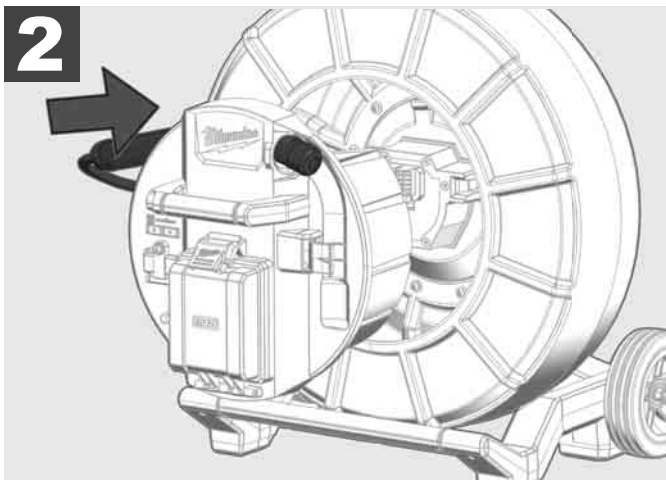
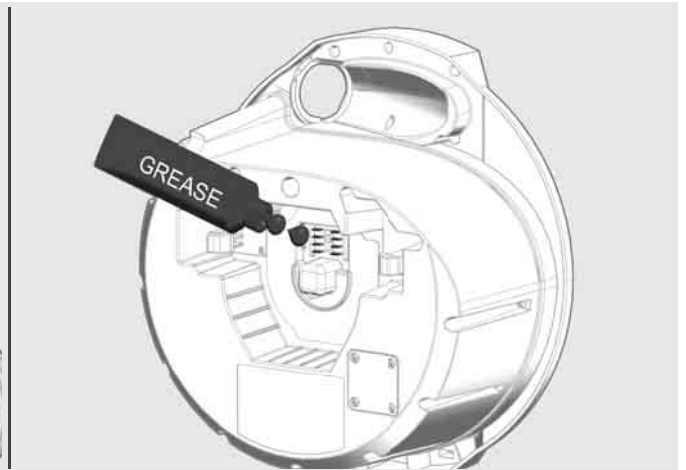
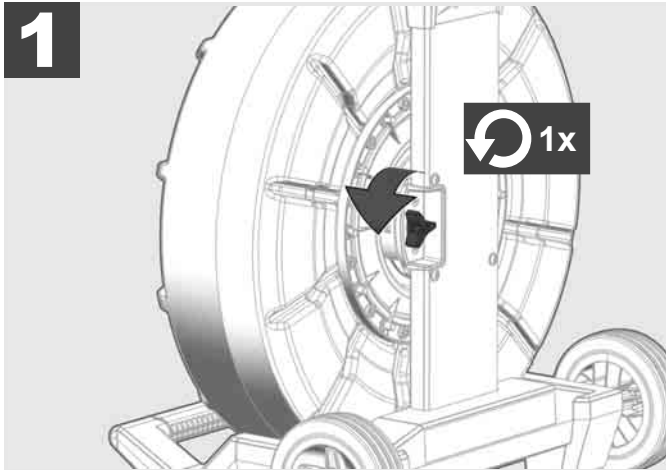


10-32 %



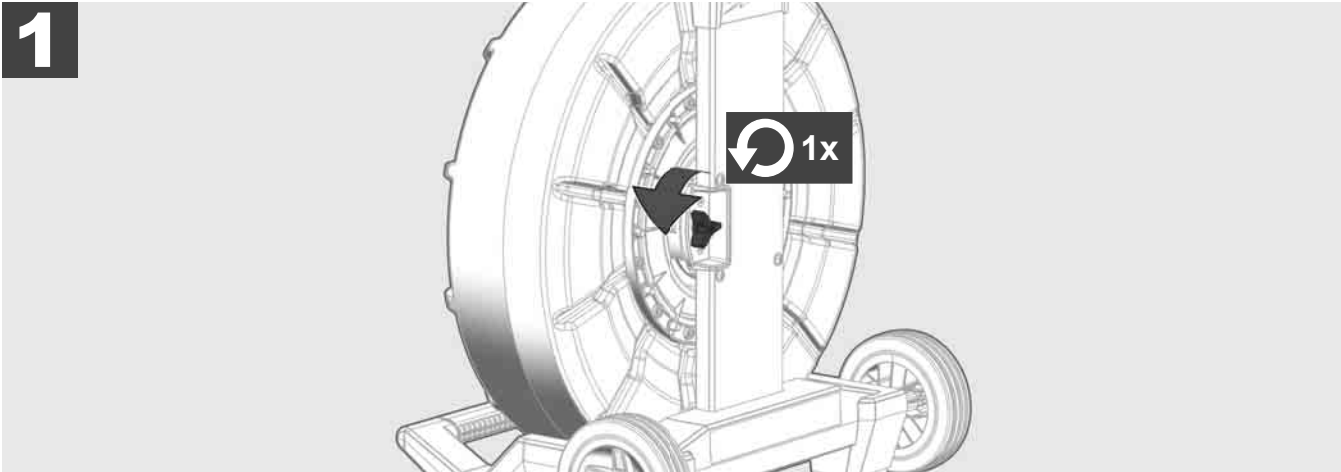
< 10 %



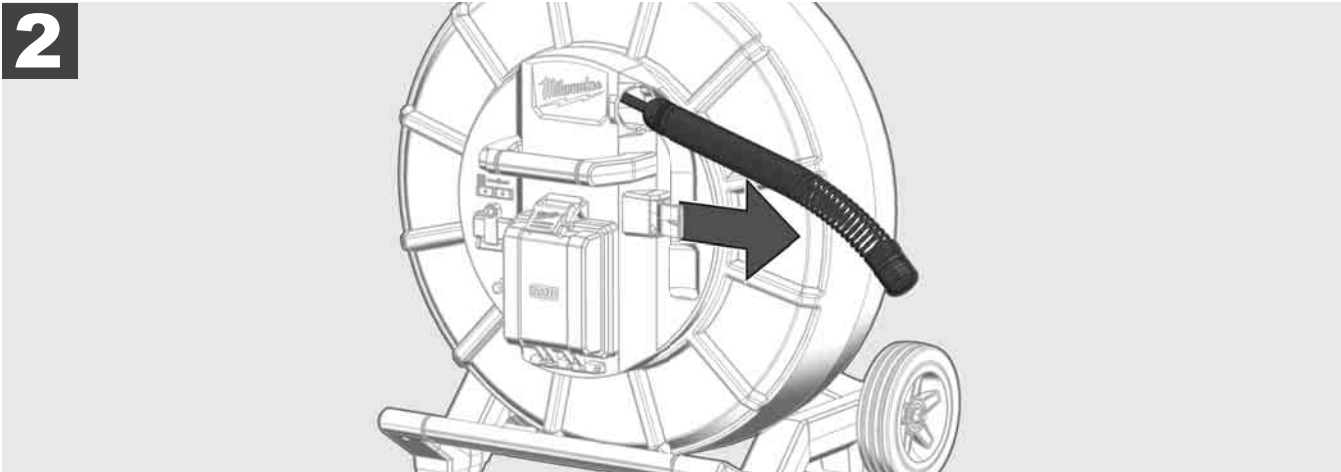




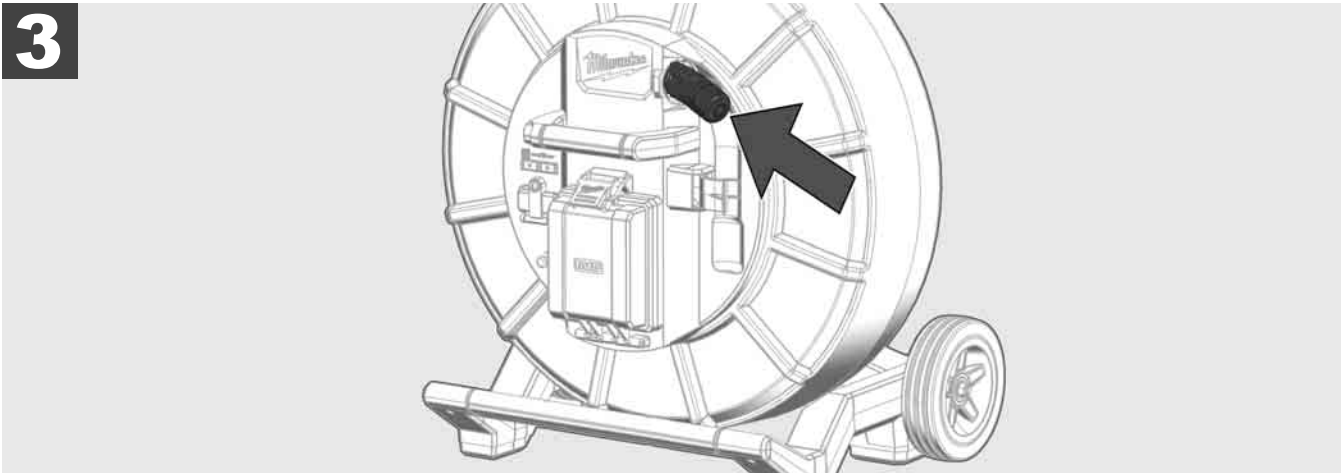
**1**



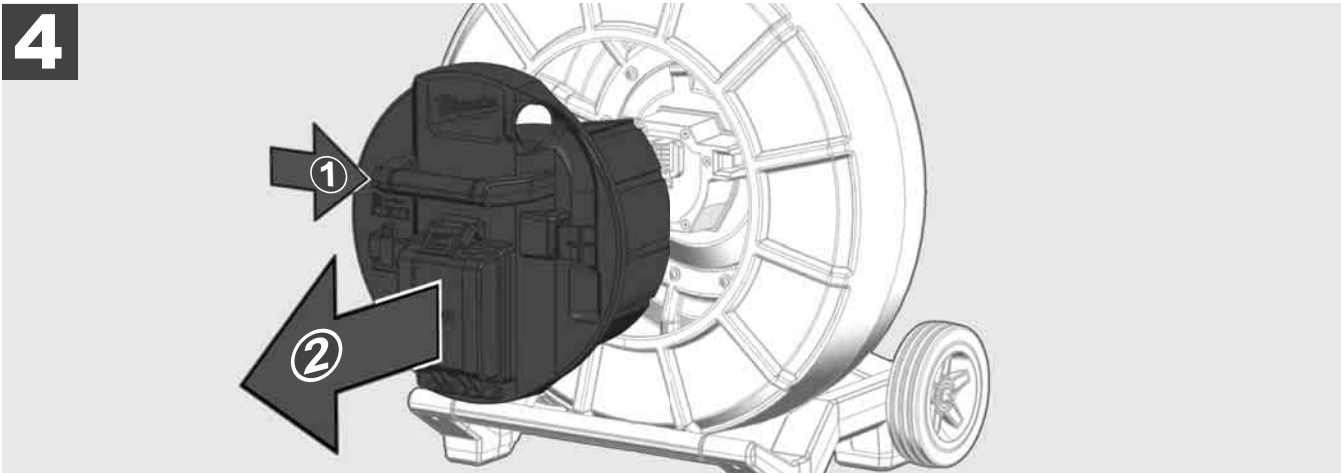
**2**



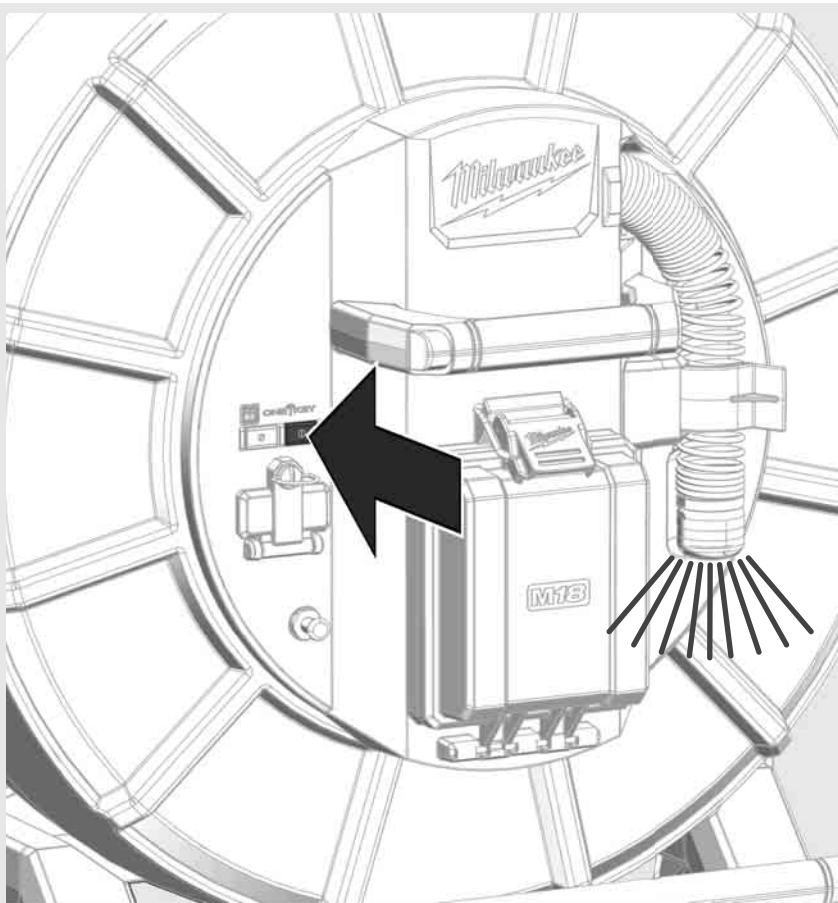
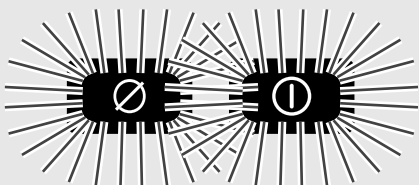
**3**



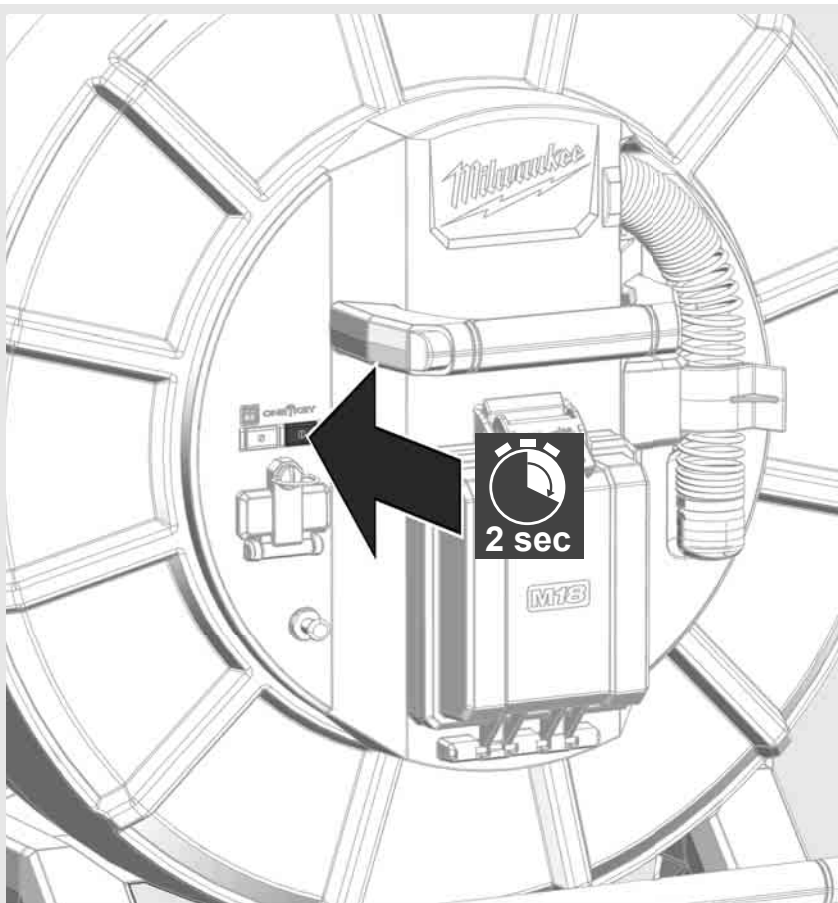
**4**



**ON**



**OFF**





## 2.7 Conectar el monitor

Para modificar la configuración del SISTEMA DE INSPECCIÓN DE TUBERÍAS, controlar sus funciones y mostrar las imágenes y vídeos grabados con la cámara se requiere de un dispositivo de visualización externo.

El dispositivo de visualización externo no está incluido en la entrega del SISTEMA DE INSPECCIÓN DE TUBERÍAS y debe ser adquirido por separado.

Están disponibles las siguientes opciones:

- MONITOR INALÁMBRICO MILWAUKEE M18 SIM
- Tableta o teléfono inteligente con la APP DE INSPECCIÓN DE TUBERÍAS DE MILWAUKEE

El MONITOR INALÁMBRICO se conecta por WLAN o puerto USB tipo C al SISTEMA DE INSPECCIÓN DE TUBERÍAS y pasa a estar operativo inmediatamente. Si se utiliza una tableta o teléfono inteligente es necesario instalar primer la APP DE INSPECCIÓN DE TUBERÍAS DE MILWAUKEE en el dispositivo en cuestión.

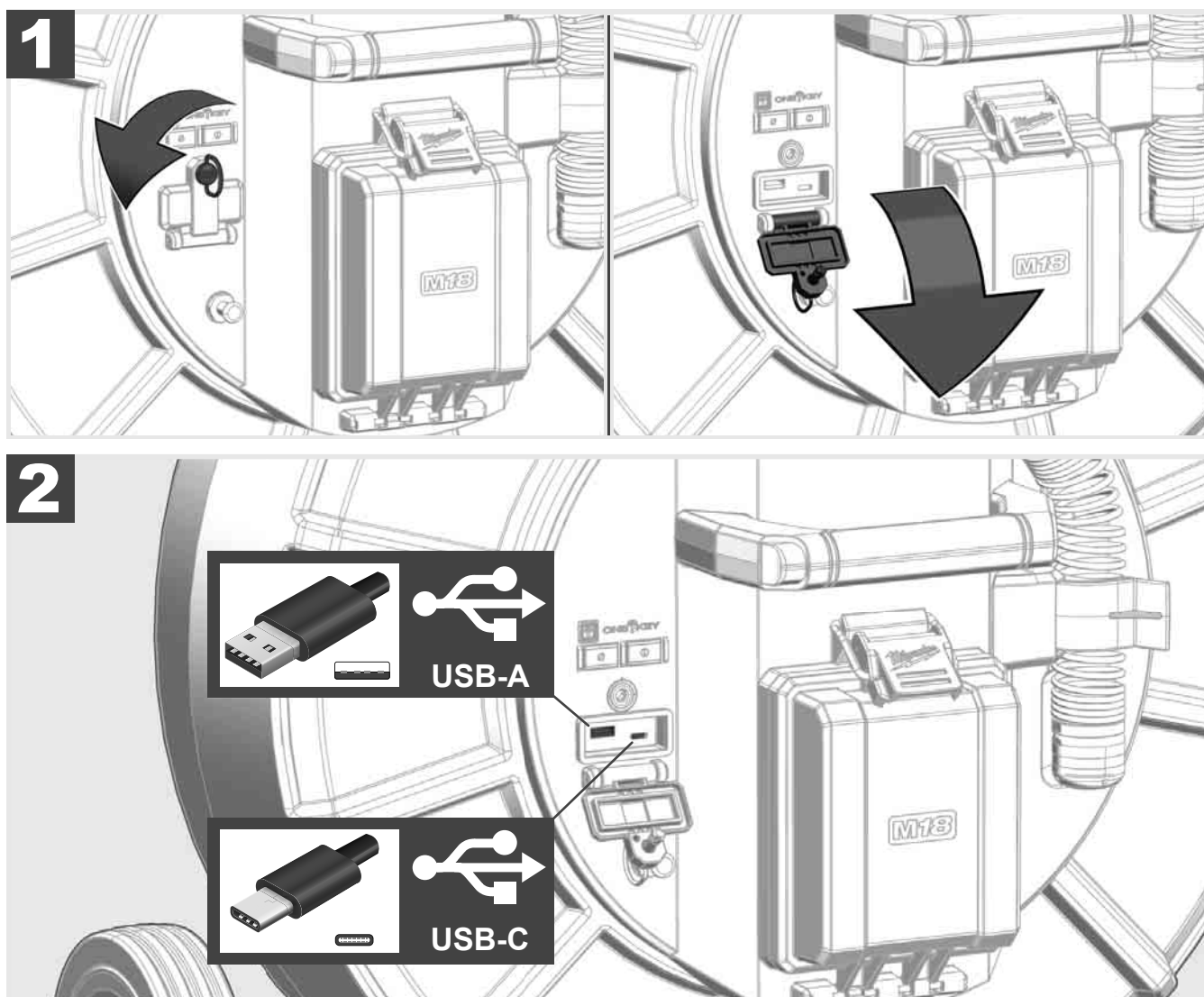
### **PRIMER USO CON MONITOR INALÁMBRICO M18 SIM:**

1. Encender el Smart Hub y el MONITOR INALÁMBRICO.
2. El MONITOR INALÁMBRICO se conecta automáticamente en menos de 25 segundos con el Smart Hub.

\*En caso de conexión por cable, conectar el monitor al Smart Hub a través de un cable USB tipo C.

### **PRIMER USO CON TELÉFONO INTELIGENTE O TABLETA:**

1. Descargar e instalar la APP DE INSPECCION DE TUBERÍAS DE MILWAUKEE.
2. Encender el Smart Hub y el dispositivo de visualización.
3. Seleccionar la opción Configuración > WLAN.
4. Seleccionar la opción MTCAM\_[LAST 9 DIGITS OF HUB SERIAL #].
5. Introducir la contraseña: 29702000
6. Iniciar la APP DE INSPECCIÓN DE TUBERÍAS DE MILWAUKEE.

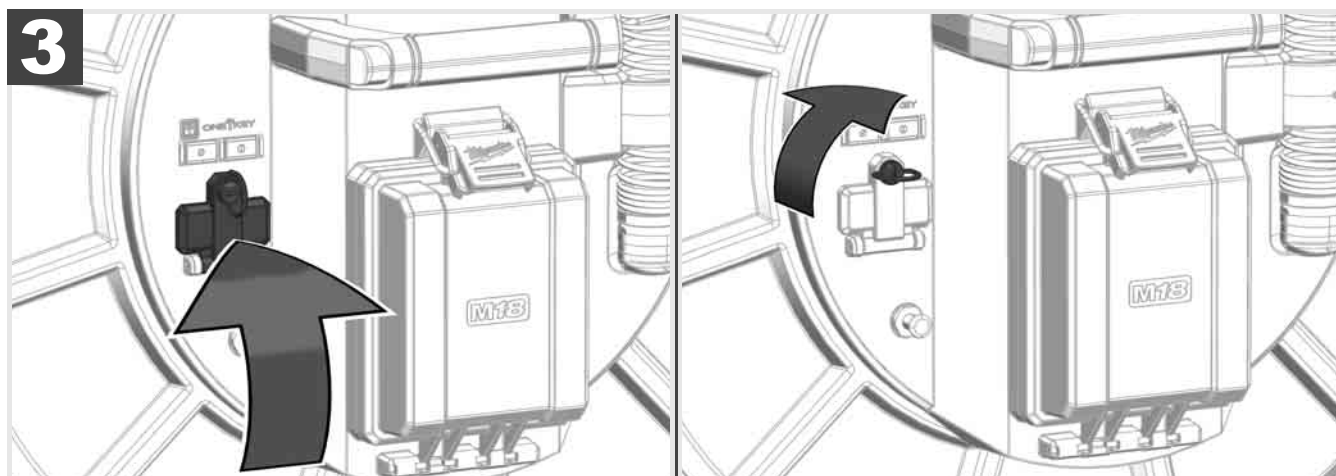


### USB tipo A

- Puerto para el uso estándar. Permite la grabación directa de archivos de vídeo y de imagen o su transferencia desde la unidad de disco duro interno del Smart Hub.
- Permite la realización de actualizaciones de firmware en el Smart Hub.

### USB tipo C

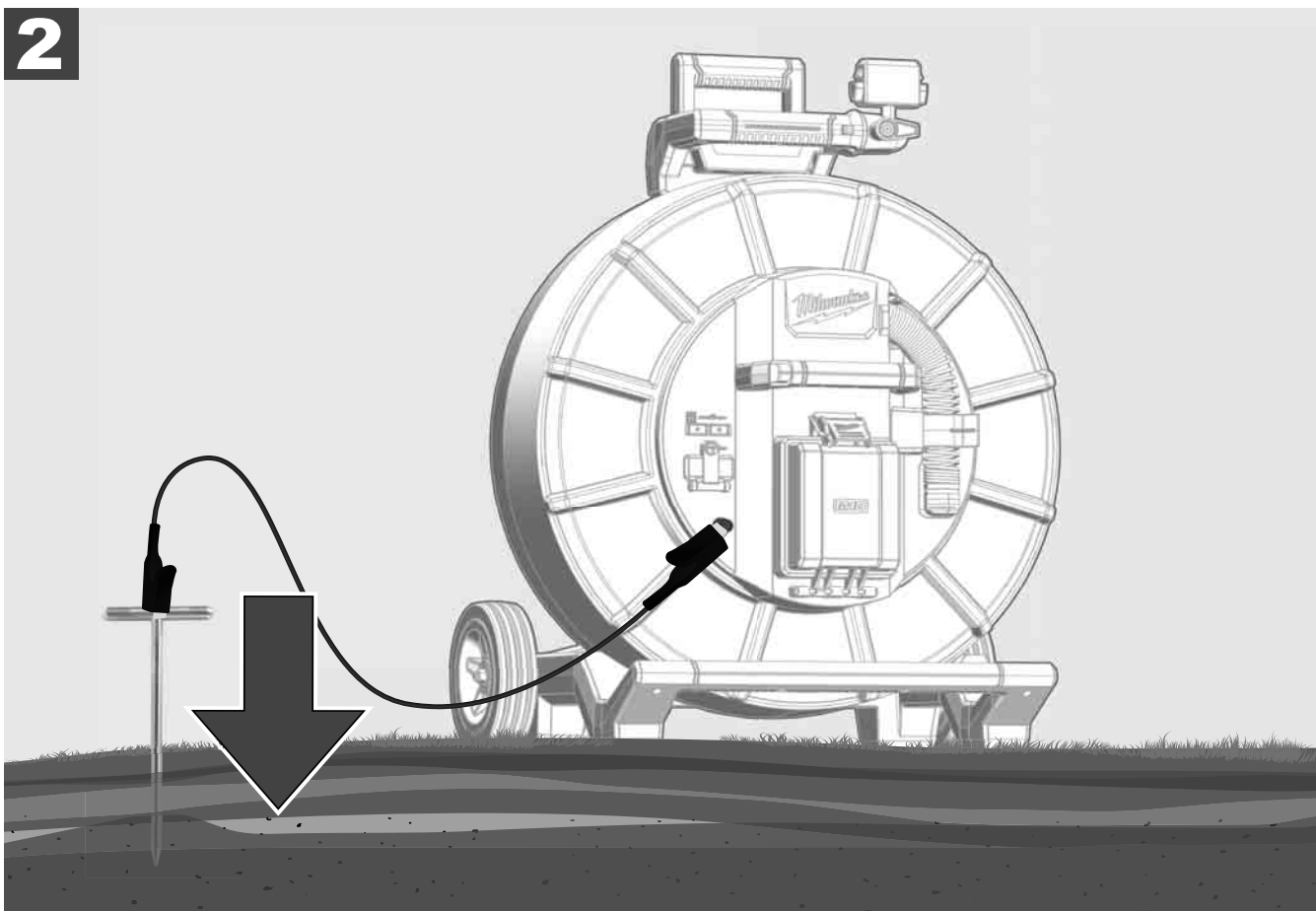
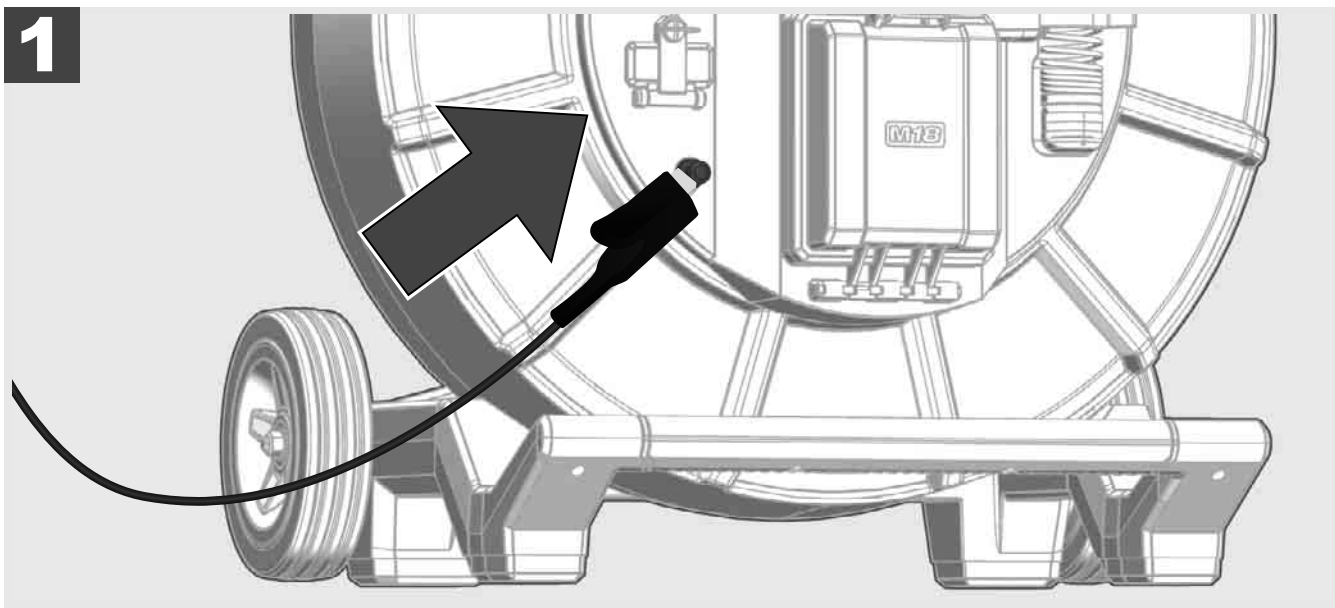
- Permite la conexión entre el monitor inalámbrico M18 SIM y el Smart Hub sin conexión WLAN. Alimentación eléctrica del Smart Hub a través del monitor inalámbrico M18S SIM o viceversa cuando la batería no está cargada.



## 2.9 Varilla de puesta a tierra




Se debe utilizar siempre la varilla de puesta a tierra cuando se realiza el rastreo del cable de empuje a través de la función RASTREO DE CABLE. El Smart Hub debe estar conectado a tierra para que se cierre el bucle de corriente y se envíe una buena señal de localización. Utilizar el cable de puesta a tierra suministrado con la varilla de puesta a tierra para conectar a tierra el Smart Hub.

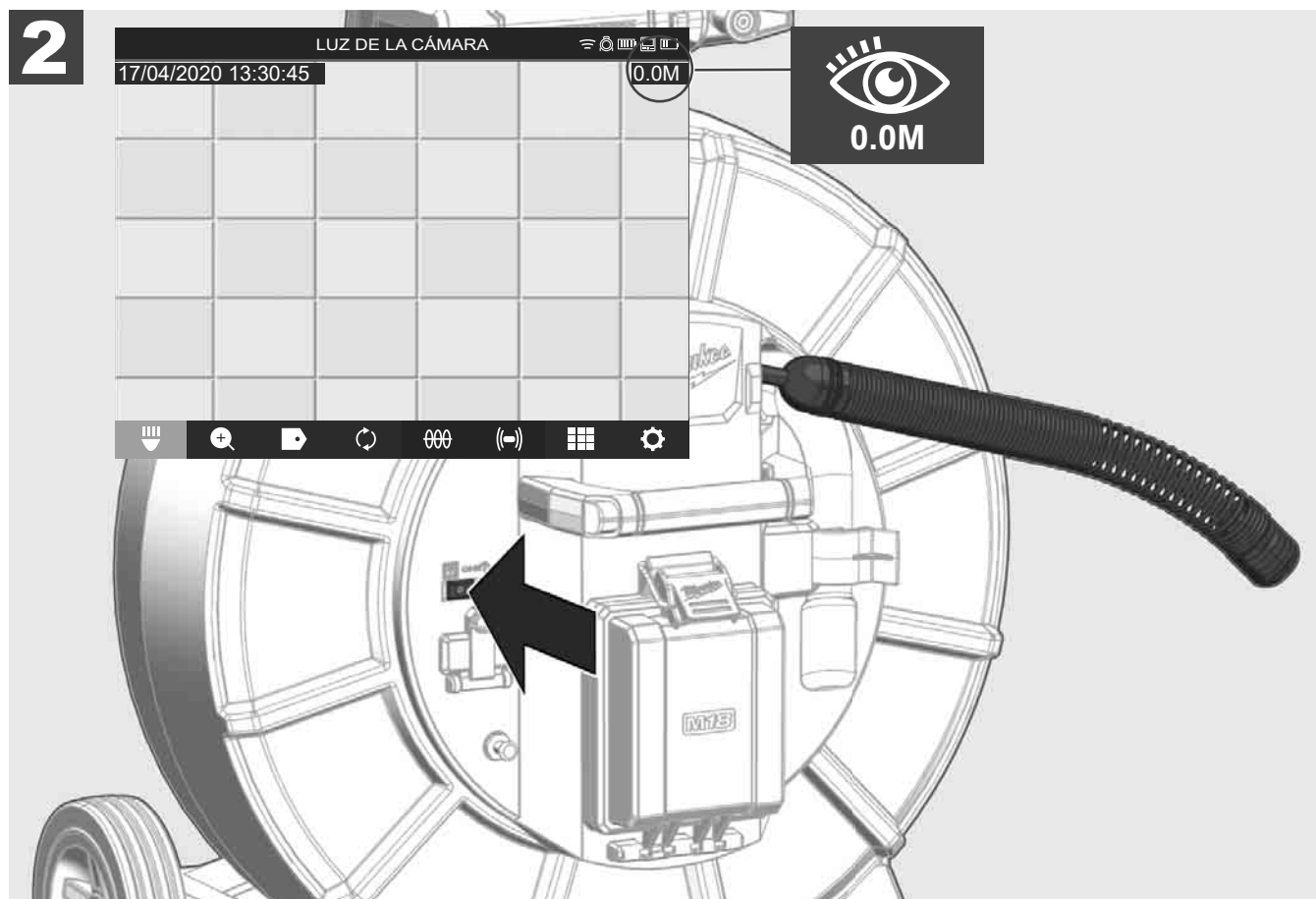
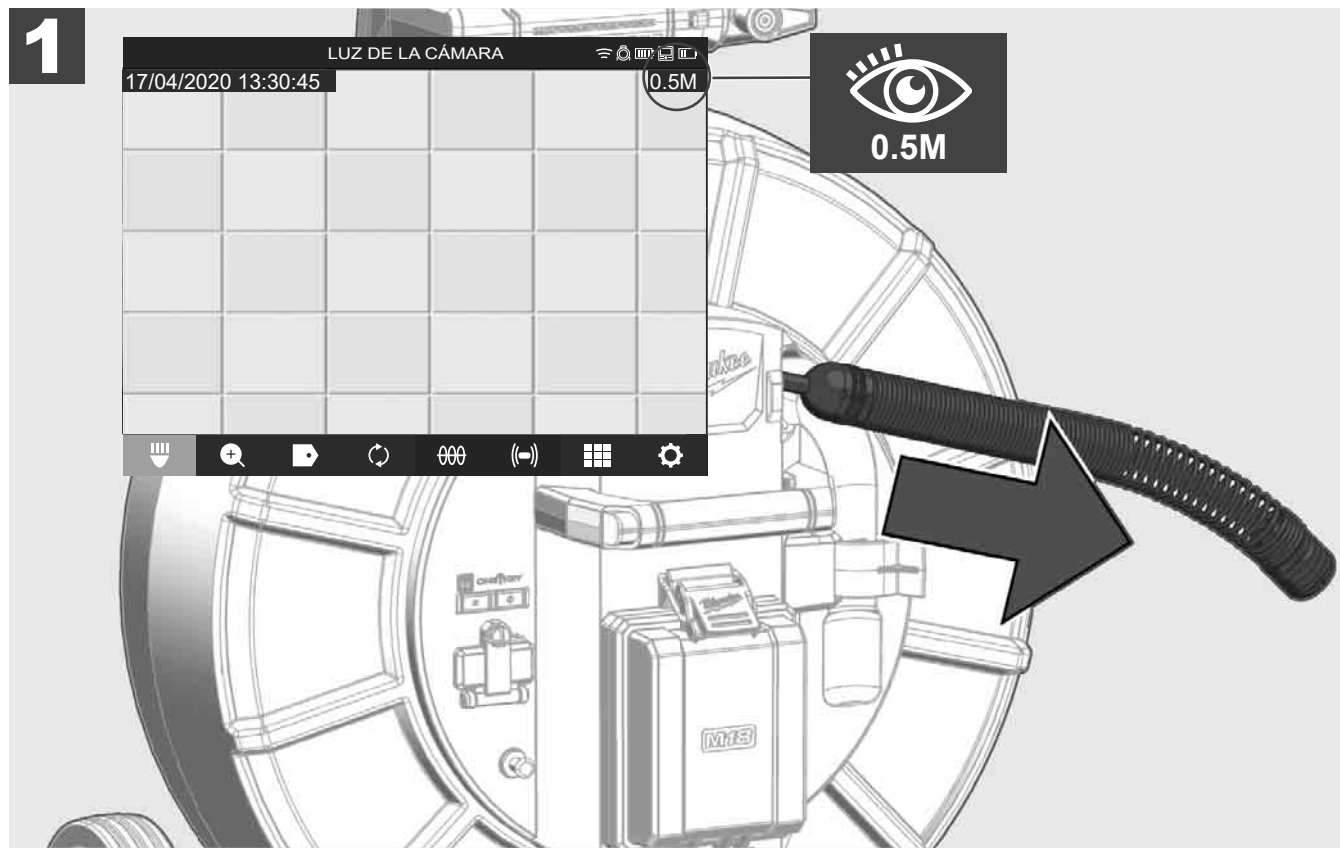


## 2.10 Restablecer el contador de longitud



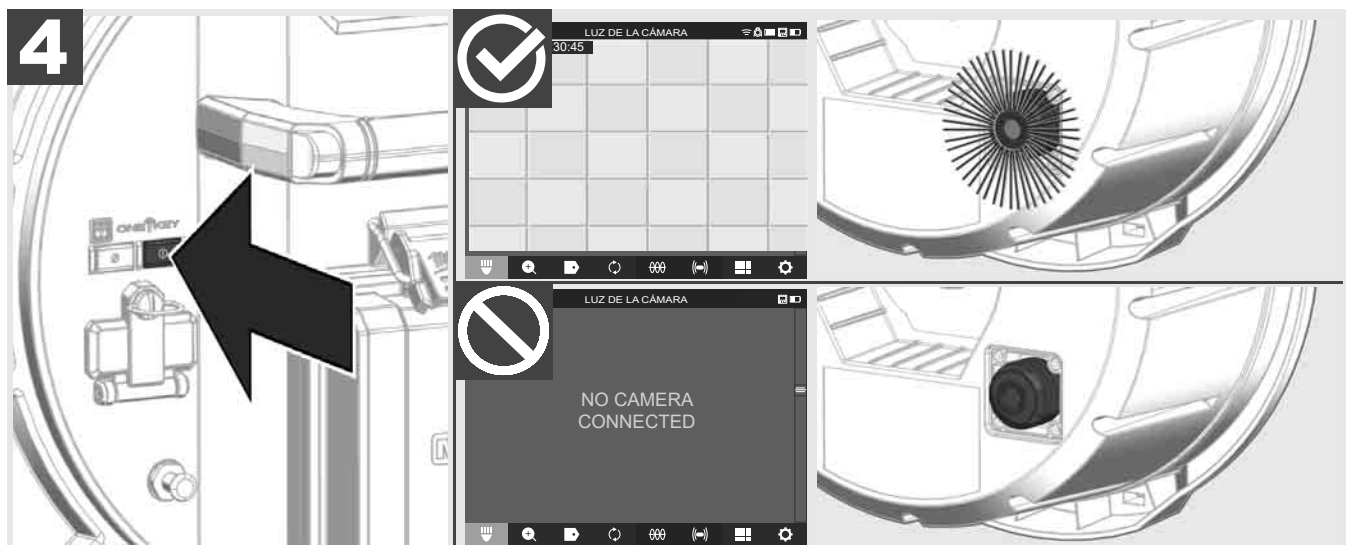
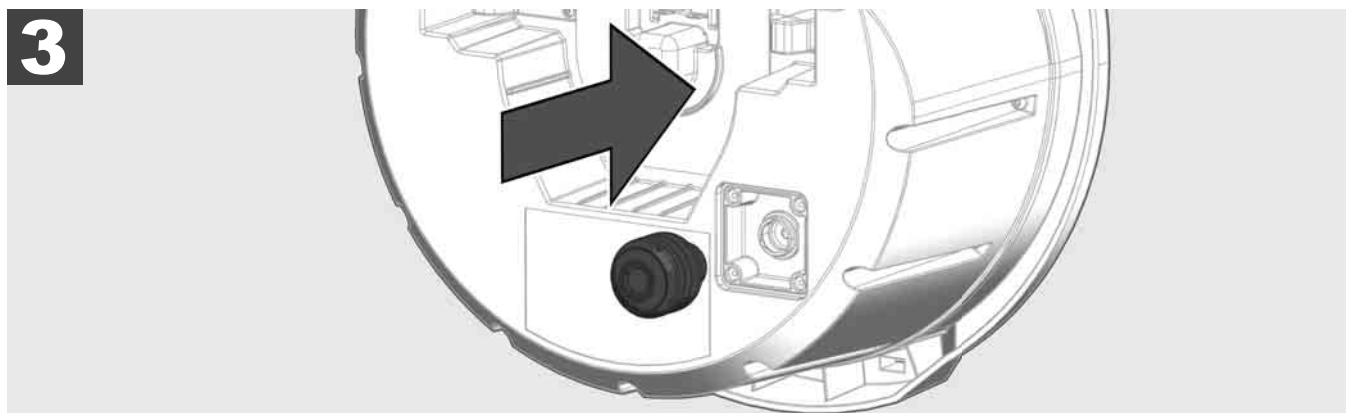
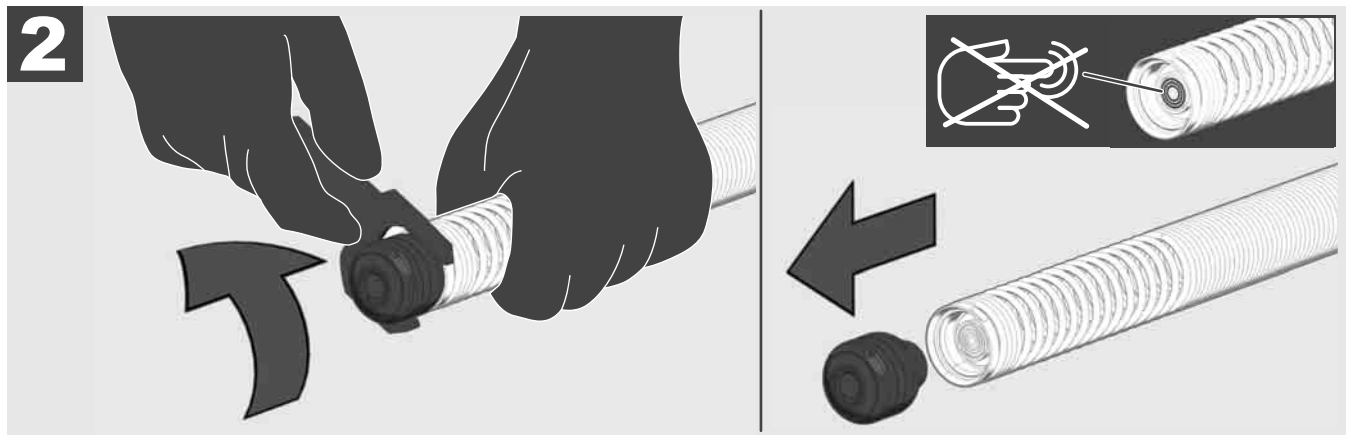
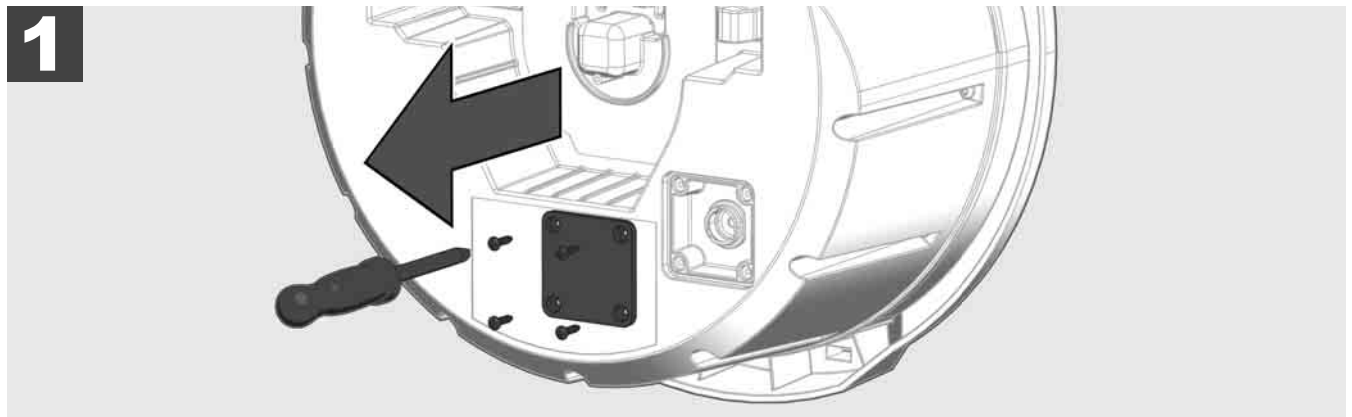
Al desenrollar el CARRETE DE INSPECCIÓN DE TUBERÍAS se muestra la longitud del cable desenrollado en la barra de estado del monitor inalámbrico M18 SIM.

Si desea restablecer la visualización, pulse el botón .



## 2.11 Conector de prueba de la cámara

Si se producen problemas con el cabezal de la cámara es posible comprobar la cámara sirviéndose del conector de prueba.



## 2.12 Formatear la unidad de disco duro interno y la memoria USB

Con esta función puede formatear la unidad de disco duro interno de 500 GB del Smart Hub o la memoria USB. Las memorias USB deben estar formateadas en el formato FAT32.

1. Seleccione **CONFIGURACIÓN**  → **FORMATEAR MEMORIA**
2. Seleccionar la memoria.



3. Confirmar el mensaje que aparece en la pantalla.



Se formatea la unidad de disco duro y el sistema vuelve al menú **CONFIGURACIÓN**.

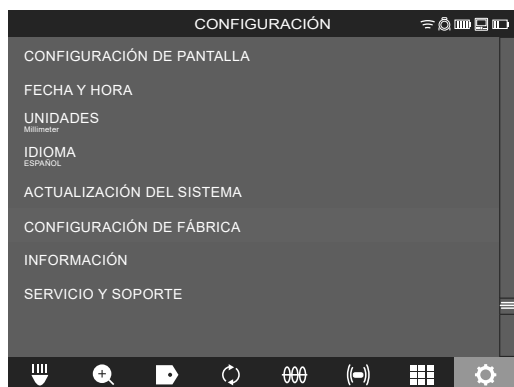
## 2.13 Configuración de fábrica

La selección de la función Configuración de fábrica restablece el Smart Hub M18 SISH a los parámetros ajustados en fábrica.

Se restablecen los siguientes ajustes del Smart Hub M18:

- Se borran los MARCADOS DE IDENTIFICACIÓN.
- La configuración de VÍDEO y de IMAGEN se restablece a 1080 P.
- Se borra el NOMBRE DE LA EMPRESA.
- La FRECUENCIA DE SONDA se restablece a la configuración de fábrica.
- El RASTREO DE CABLE se restablece a la configuración de fábrica.
- La CONFIGURACIÓN DE PANTALLA se restablece a la configuración de fábrica: Tonalidad de color, brillo, contraste, saturación.
- UNIDADES DE MEDIDA

1. Seleccione **CONFIGURACIÓN**  → **CONFIGURACIÓN DE FABRICA**



2. Seleccione **CONFIGURACIÓN DE FABRICA** Smart Hub M18 SISH.



3. Lea y confirme con OK el mensaje de restablecimiento.



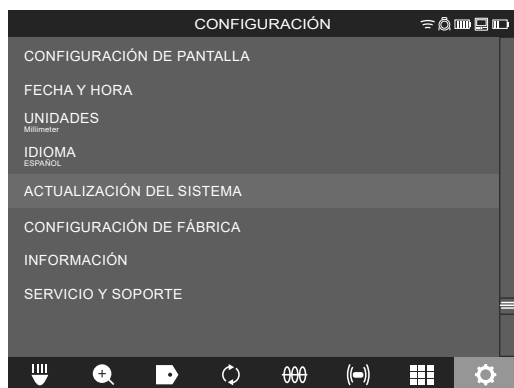
El restablecimiento a la configuración de fábrica ha finalizado y el sistema vuelve al submenú **CONFIGURACIÓN DE FABRICA**.

## 2.14 Actualización del sistema

Antes de actualizar el sistema, abra el menú **CONFIGURACIÓN** → **INFORMACIÓN** y anótese la versión actual de firmware.

Las actualizaciones de firmware se pueden realizar a través del monitor inalámbrico M18 SIM o empleando una tableta con la app de inspección de tuberías de Milwaukee®.

1. Encender el Smart Hub M18 SISH y el monitor inalámbrico M18SIM o la tableta con la app de inspección de tuberías de Milwaukee®.
2. Asegúrese de que el monitor inalámbrico M18 SIM o la tableta están conectados mediante WLAN con el Smart Hub M18 SISH. Primero se ha de establecer una conexión WLAN si no existe ninguna.
3. Insertar la memoria USB con la actualización de firmware en el puerto USB tipo A del Smart Hub M18 SISH.
4. Seleccione **CONFIGURACIÓN** → **ACTUALIZACIÓN DE SISTEMA**



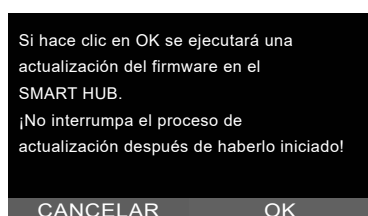
5. Seleccione el Smart Hub M18 SISH.



6. Se muestra entonces el nombre del archivo de la actualización en la pantalla. Seleccionar **NOMBRE DE ARCHIVO** para iniciar la actualización.

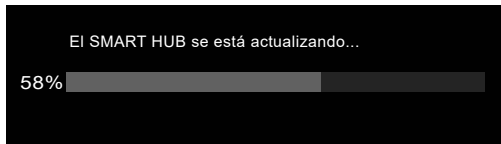


7. Lea y confirme con OK el mensaje de advertencia.





8. Se muestra el proceso de actualización mediante una barra de progreso.



9. Al final de la actualización aparece un mensaje que debe ser confirmado. Seleccione OK para reiniciar el sistema.



10. Seleccione **CONFIGURACION** → **INFORMACION** para comprobar si se ha actualizado la versión de firmware.

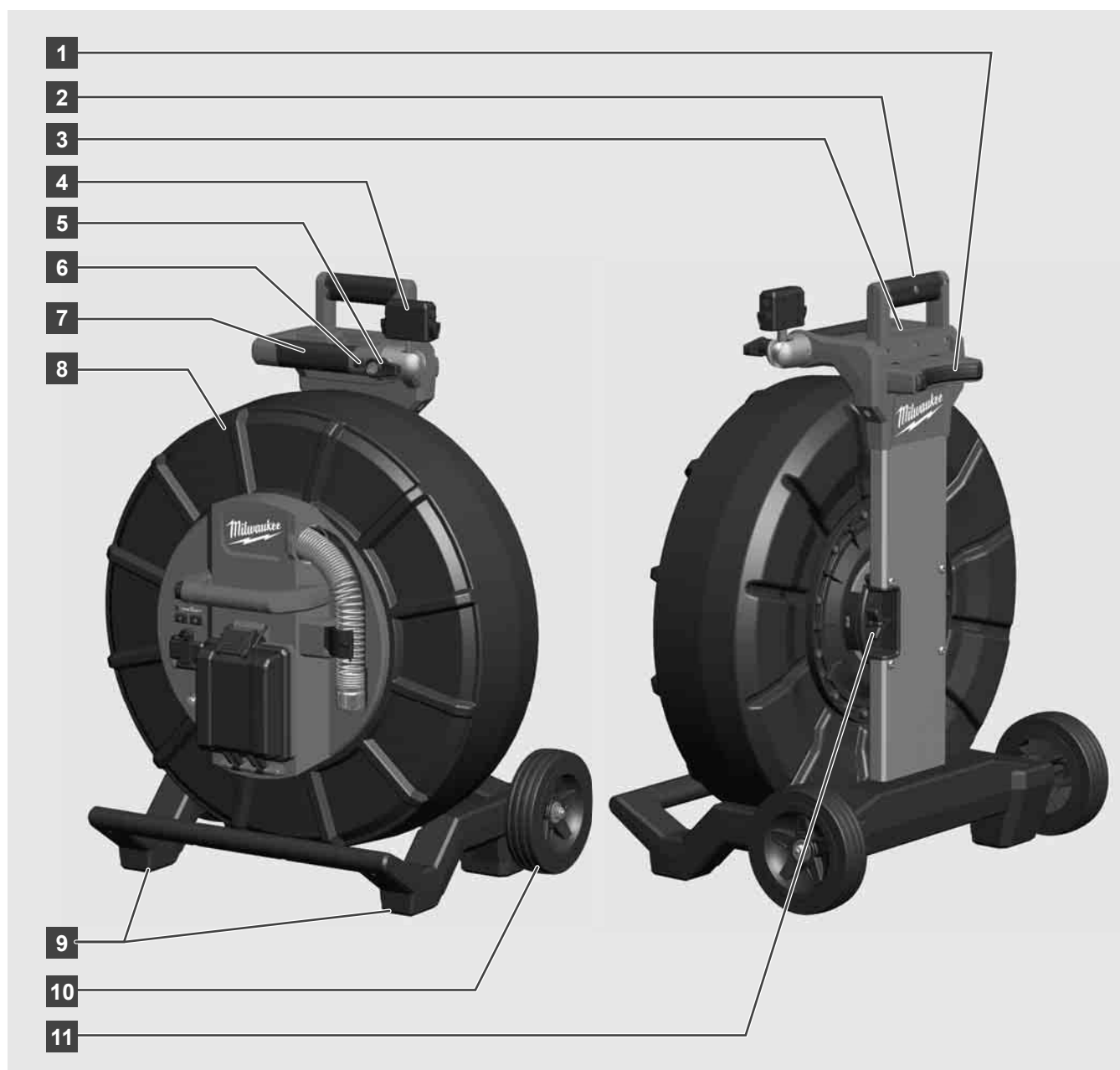
### 3 CARRETES DE INSPECCIÓN DE TUBERÍAS

#### 3.1 Vista general del carrete de inspección de tuberías M18 SIC36



- 1 Pie de soporte para el uso en posición horizontal
- 2 Monitor inalámbrico M18 SIM – Soporte de tableta y conector
- 3 Monitor inalámbrico M18 SIM – Bloqueo antirrotación
- 4 Monitor inalámbrico M18 SIM – Bloqueo antivuelco
- 5 Empuñadura
- 6 Carrete de cable con cable de empuje
- 7 Pie de soporte para el uso en posición vertical
- 8 Freno de carrete de cable
- 9 Pie de soporte para el uso en posición horizontal
- 10 Equipo de transporte

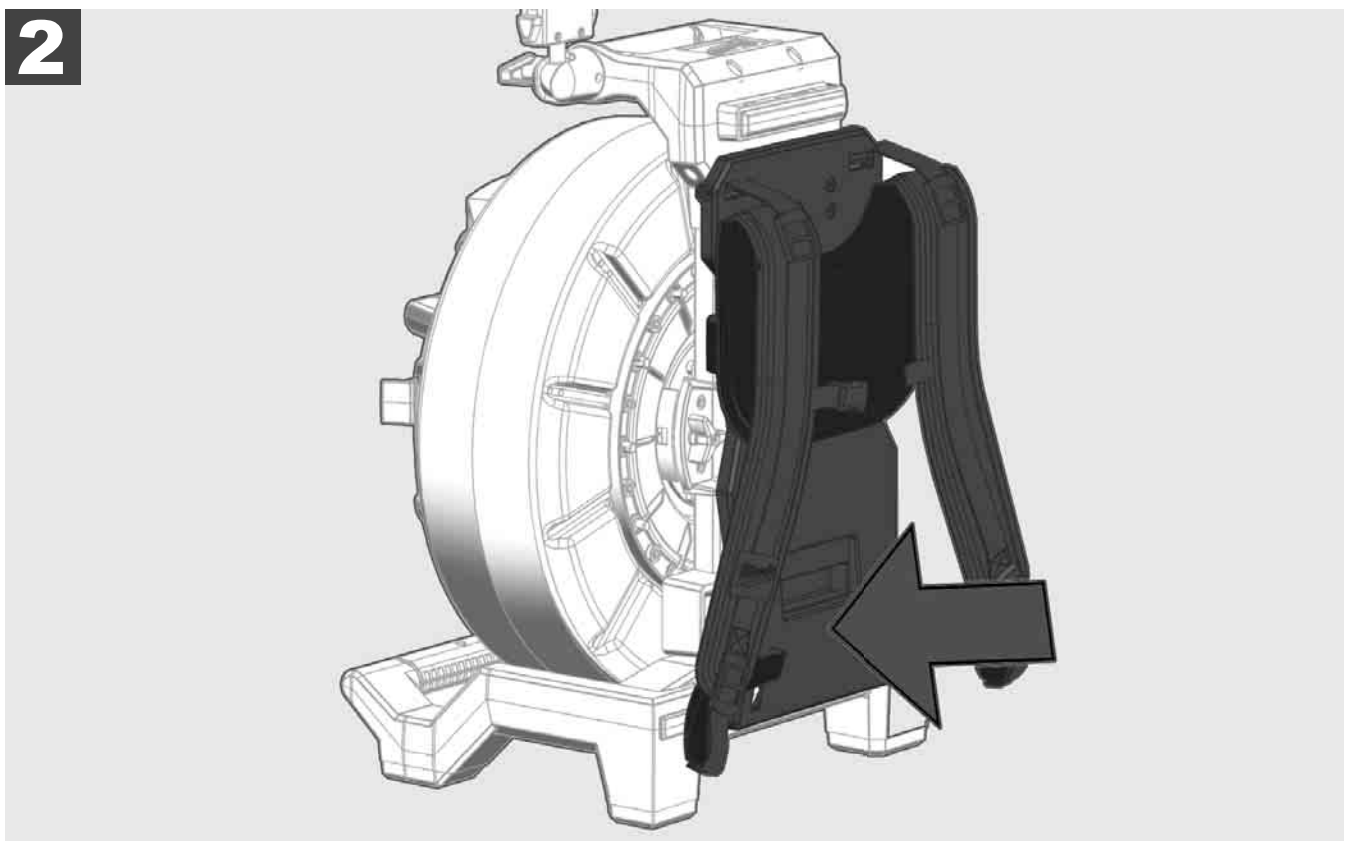
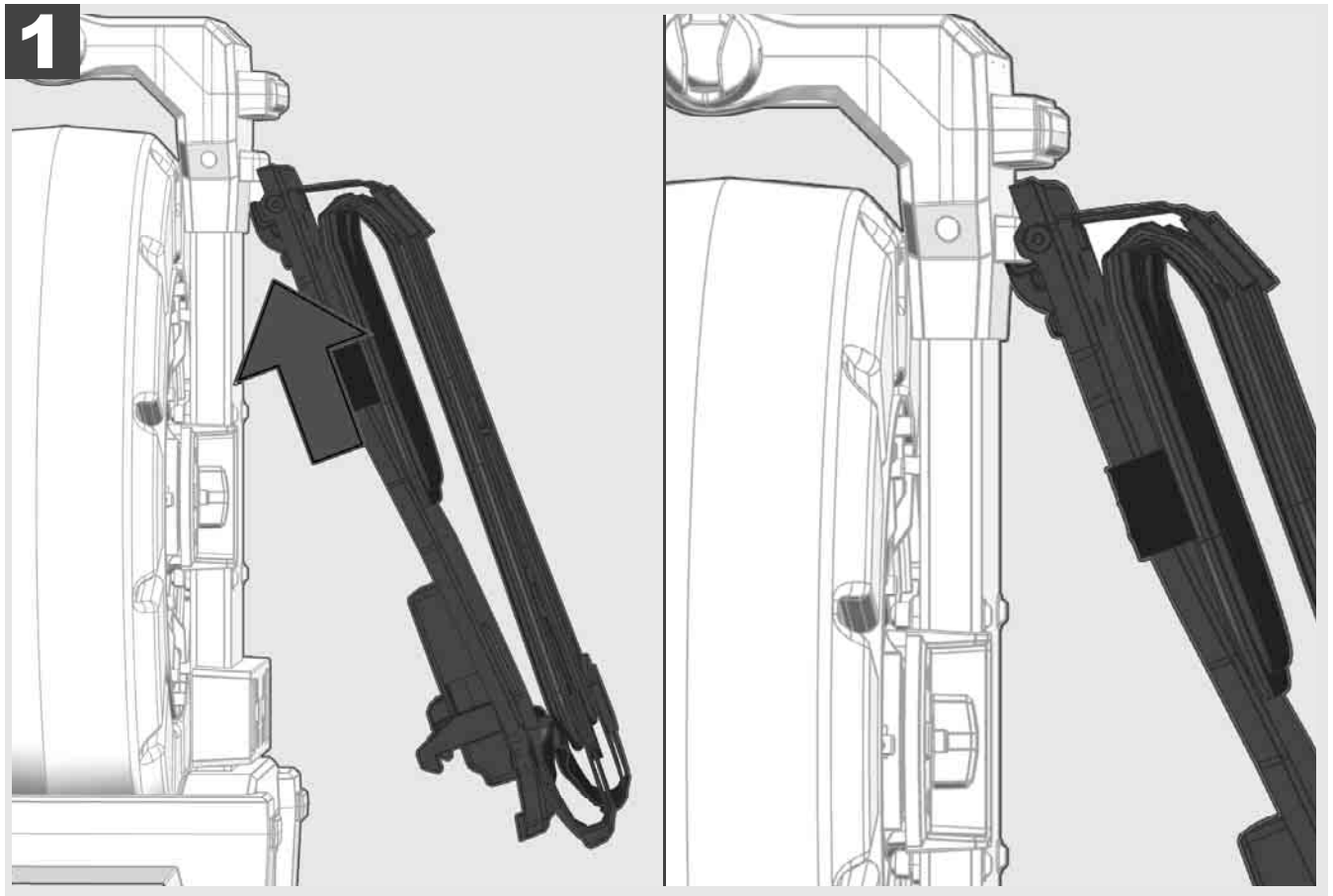
### 3.2 Vista general del carrito de inspección de tuberías M18 SIC60



- 1 Pie de soporte para el uso en posición horizontal
- 2 Empuñadura extensible (en posición insertada)
- 3 Botón para bloquear y desbloquear la empuñadura extensible
- 4 Monitor inalámbrico M18 SIM – Soporte / Soporte de tableta y conector
- 5 Monitor inalámbrico M18 SIM – Sistema antirrotación
- 6 Monitor inalámbrico M18 SIM – Sistema antivuelco
- 7 Empuñadura
- 8 Carrete de cable con cable de empuje
- 9 Pie de soporte para el uso en posición vertical
- 10 Ruedas
- 11 Freno de carrete de cable

### 3.3 Instalar el equipo de transporte

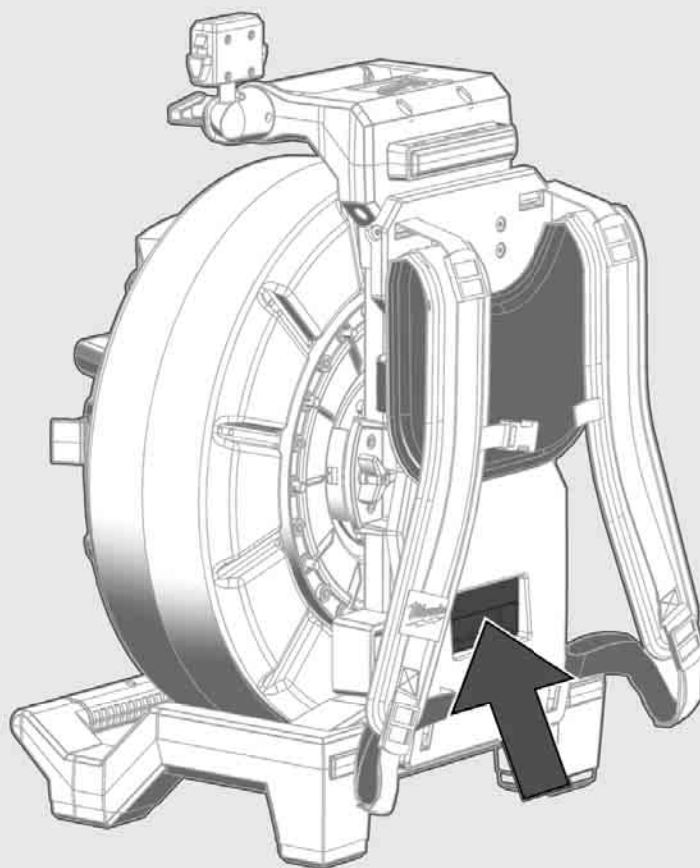
El CARRETE DE INSPECCIÓN DE TUBERÍAS M18 SIC36 cuenta con un equipo de transporte con el que se puede transportar el carrito sobre la espalda como si fuese una mochila. De esta forma es posible transportar cómodamente el carrito pequeño al lugar de trabajo, lo cual es especialmente práctico al subir escaleras o al usar escaleras de mano.



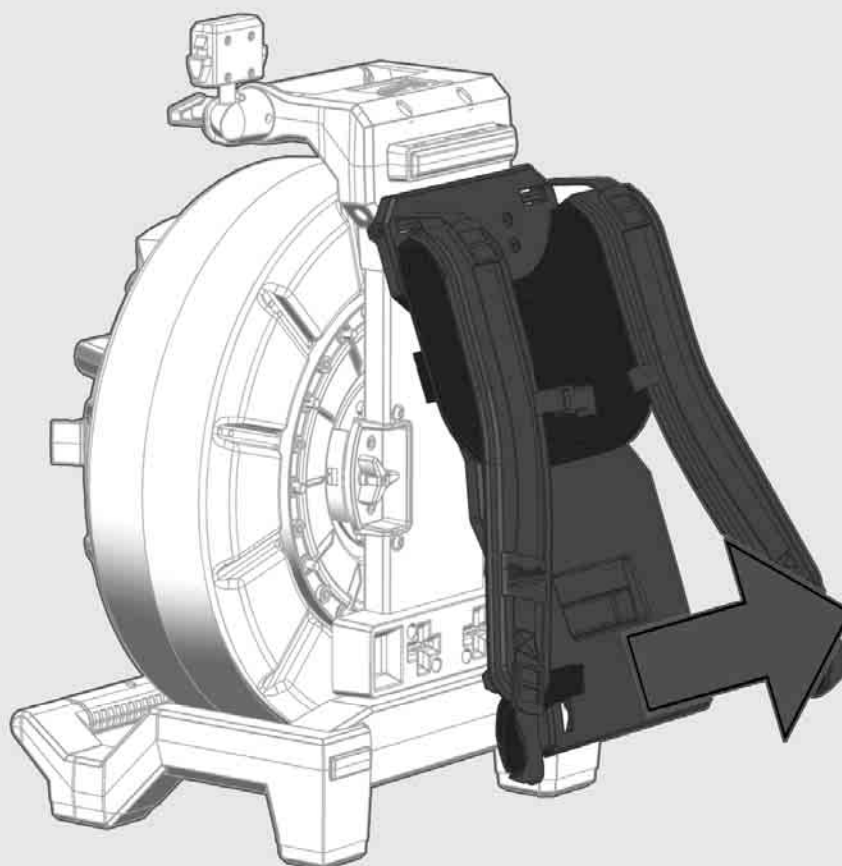
Colgarse el equipo de transporte desde arriba y presionar con la palma de la mano contra la parte inferior hasta que el equipo de transporte quede enclavado. Tirar brevemente del equipo de transporte para asegurarse de que está enclavado.

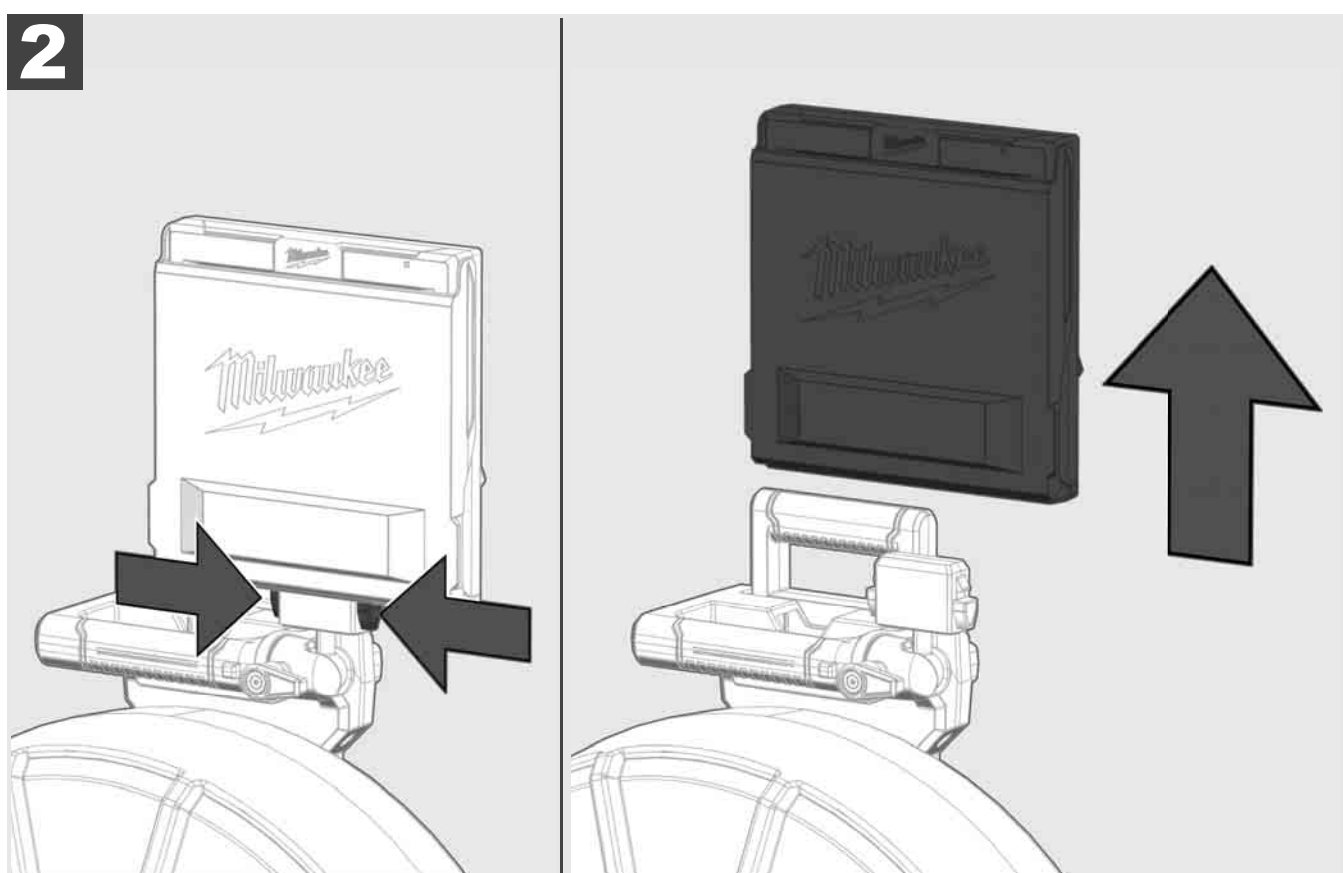
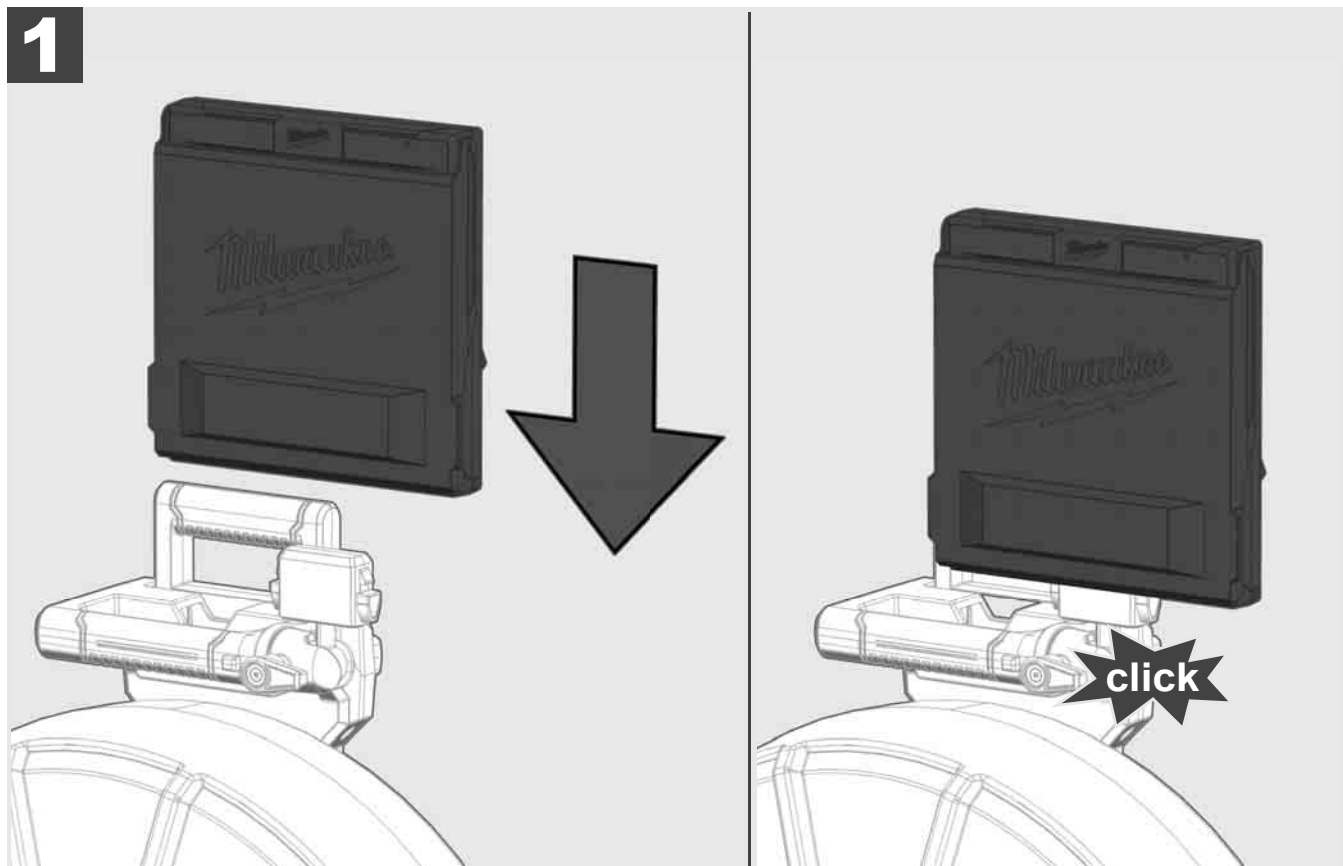


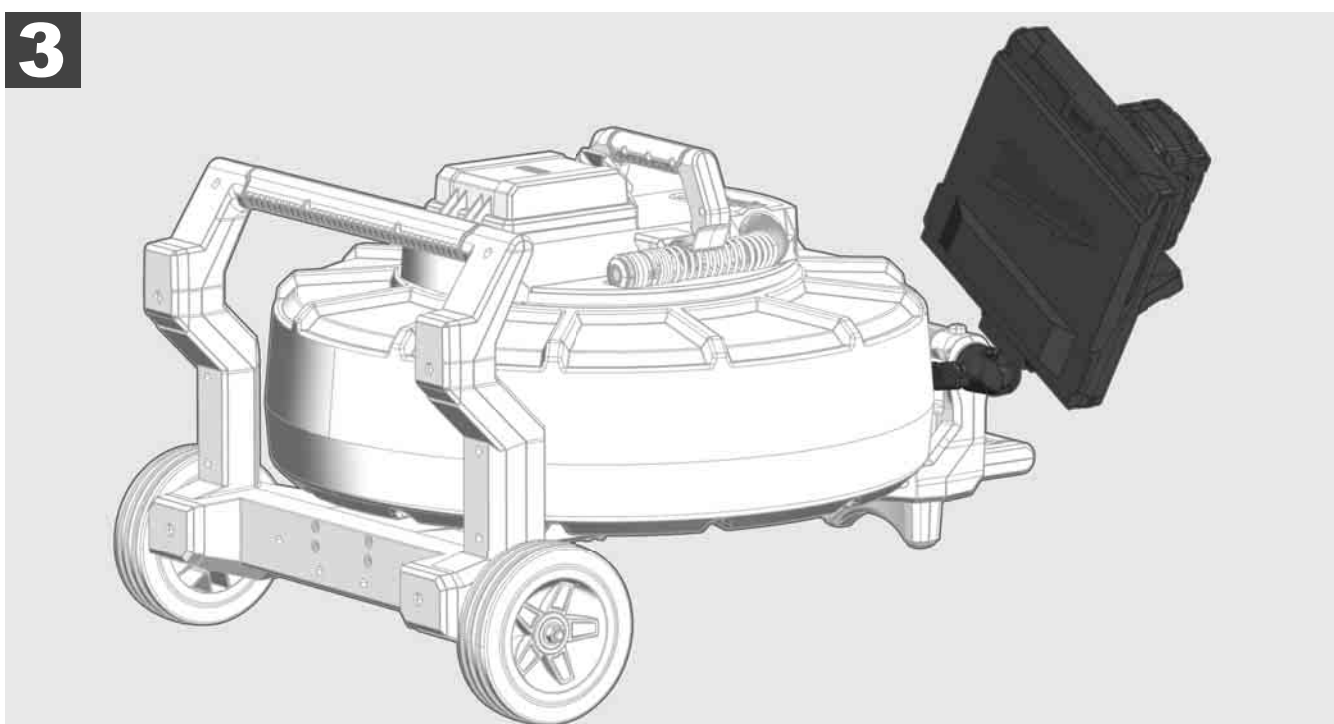
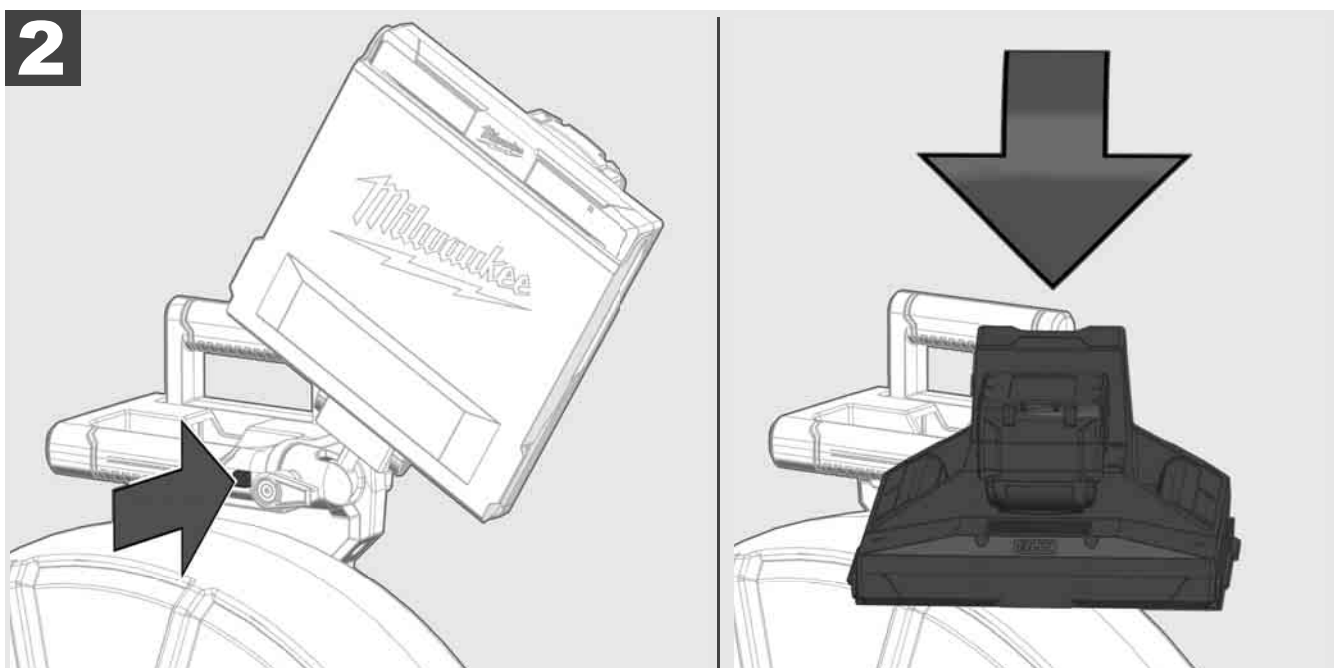
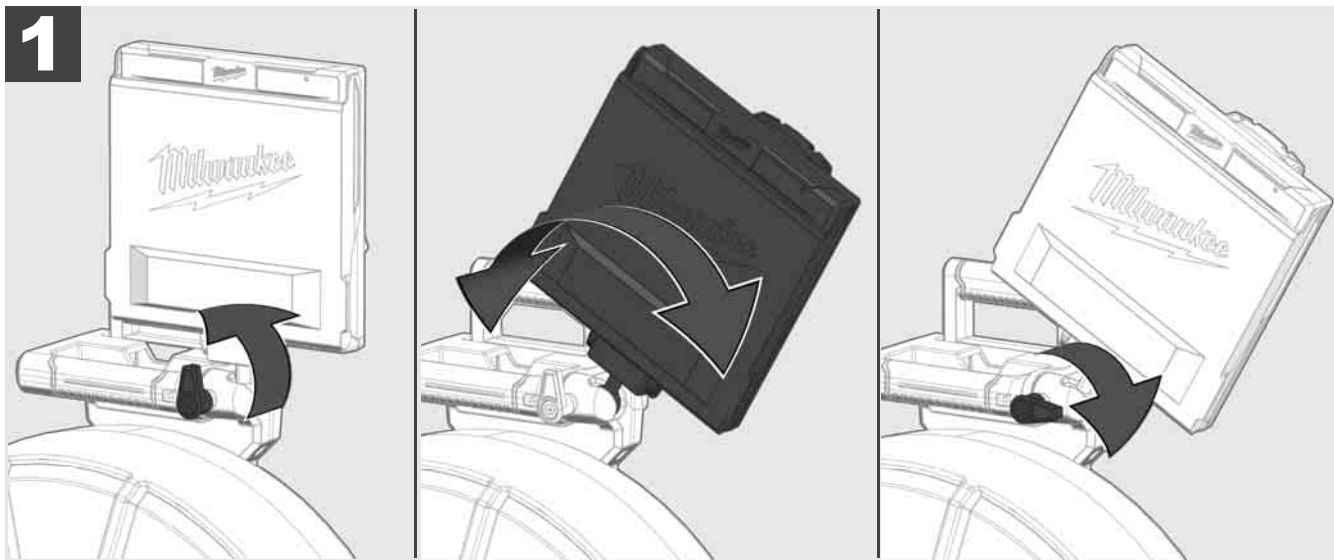
**1**



**2**







### 3.7 Uso del carrete de inspección de tuberías



Controlar si el cable de empuje presenta signos de desgaste – Al enrollar el cable, comprobar si tiene cortes, dobladuras o roces. Si el revestimiento exterior está tan gastado que se puede ver la malla de kevlar amarilla o blanca se ha de sustituir el cable de empuje. Si se usa un cable de empuje con el revestimiento exterior dañado es posible que entre agua y humedad, lo cual puede afectar a la calidad de las grabaciones de la cámara o provocar que la cámara deje de funcionar.

La siguiente ilustración muestra ejemplos de revestimientos exteriores fuertemente dañados. Los cables de empuje que presenten estas condiciones se han de sustituir lo más rápido posible.

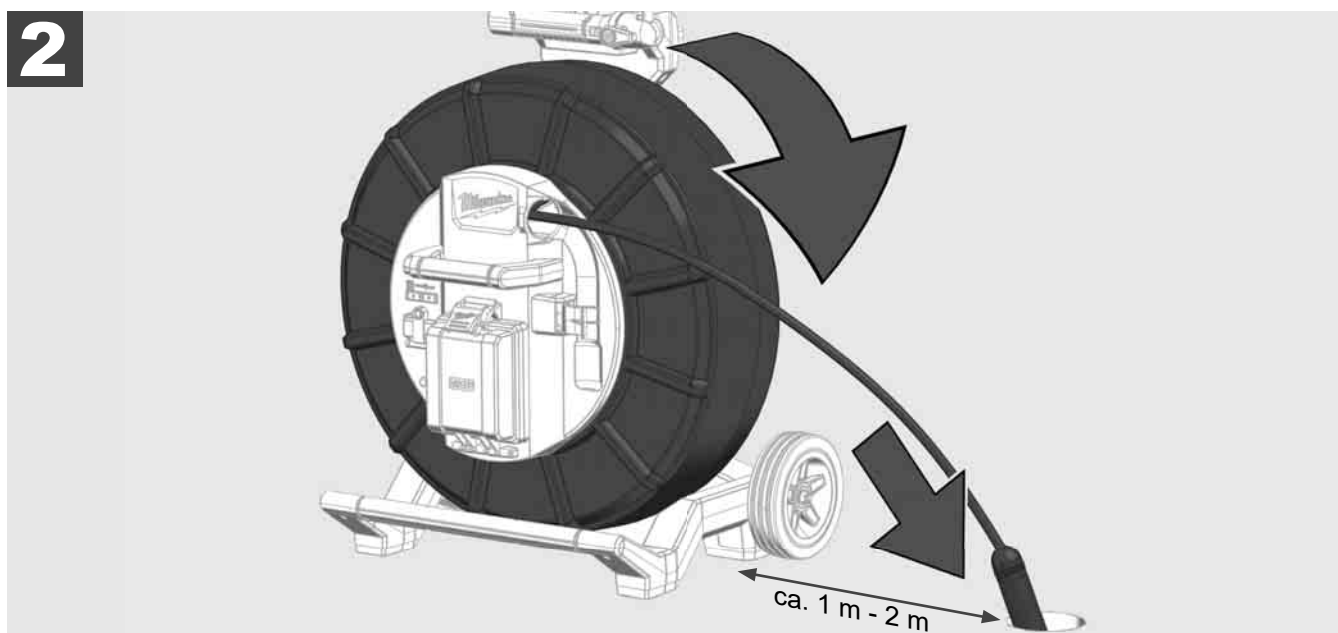
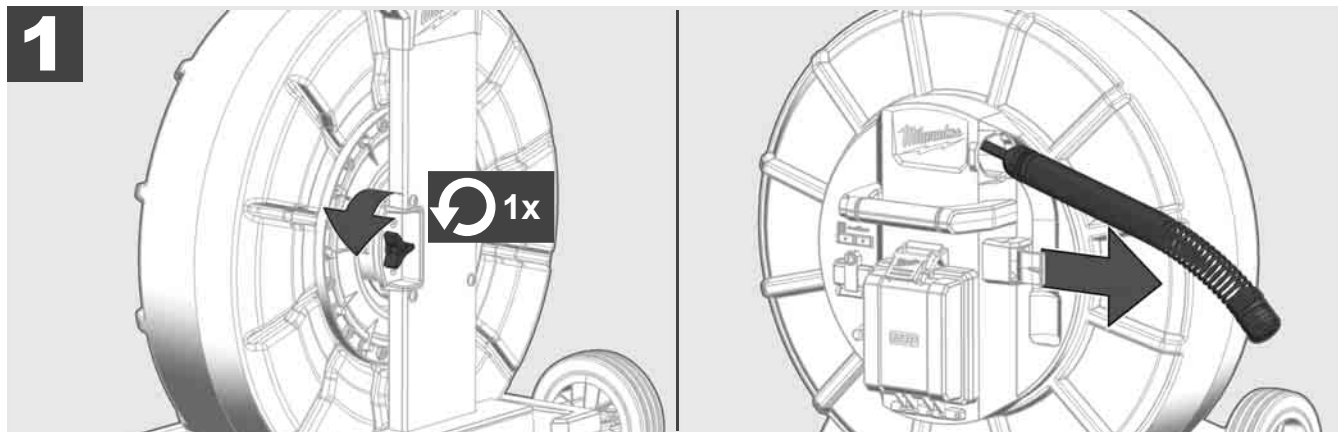


Mantener siempre secos y limpios el cable de empuje y el componente de resorte – Al enrollar el cable, limpiarlo siempre con un paño limpio y seco. Al final de la jornada de trabajo, elimine con cuidado los restos de suciedad del cabezal de la cámara y del resorte limpiándolos con agua corriente. Sacudir para secarlos o bien eliminar el agua excedente utilizando aire comprimido y, a continuación, dejar que se sequen las piezas. El cabezal de la cámara, el cable de empuje y las piezas de conexión están expuestas en el trabajo diario a sustancias químicas agresivas. La limpieza cuidadosa del sistema prolonga la vida útil de estas piezas.

Tenga cuidado al manipular el cable de empuje – No extraiga el cable de empuje del carrete si este está bloqueado. De lo contrario se comprime el cable en el carrete exponiéndolo a un esfuerzo excesivo. Por el contrario, si se empuja el cable de empuje hacia dentro del carrete bloqueado, se puede volcar el rodillo y el cable se puede doblar.

Colocar el carrete sobre un suelo liso a una distancia de aproximadamente 1 a 2 metros del punto de entrada. De esta forma queda espacio suficiente para manipular el cable sin que se formen bucles de cable sobre el suelo. Si fuese necesario, accionar el freno de fricción para ralentizar el movimiento del cable de empuje.

Si se usa el carrete en posición horizontal aumenta la superficie entre los pies. Esto proporciona al carrete una posición más estable sobre terrenos irregulares y disminuye la altura, lo cual puede suponer una ventaja cuando se dispone de poco espacio.





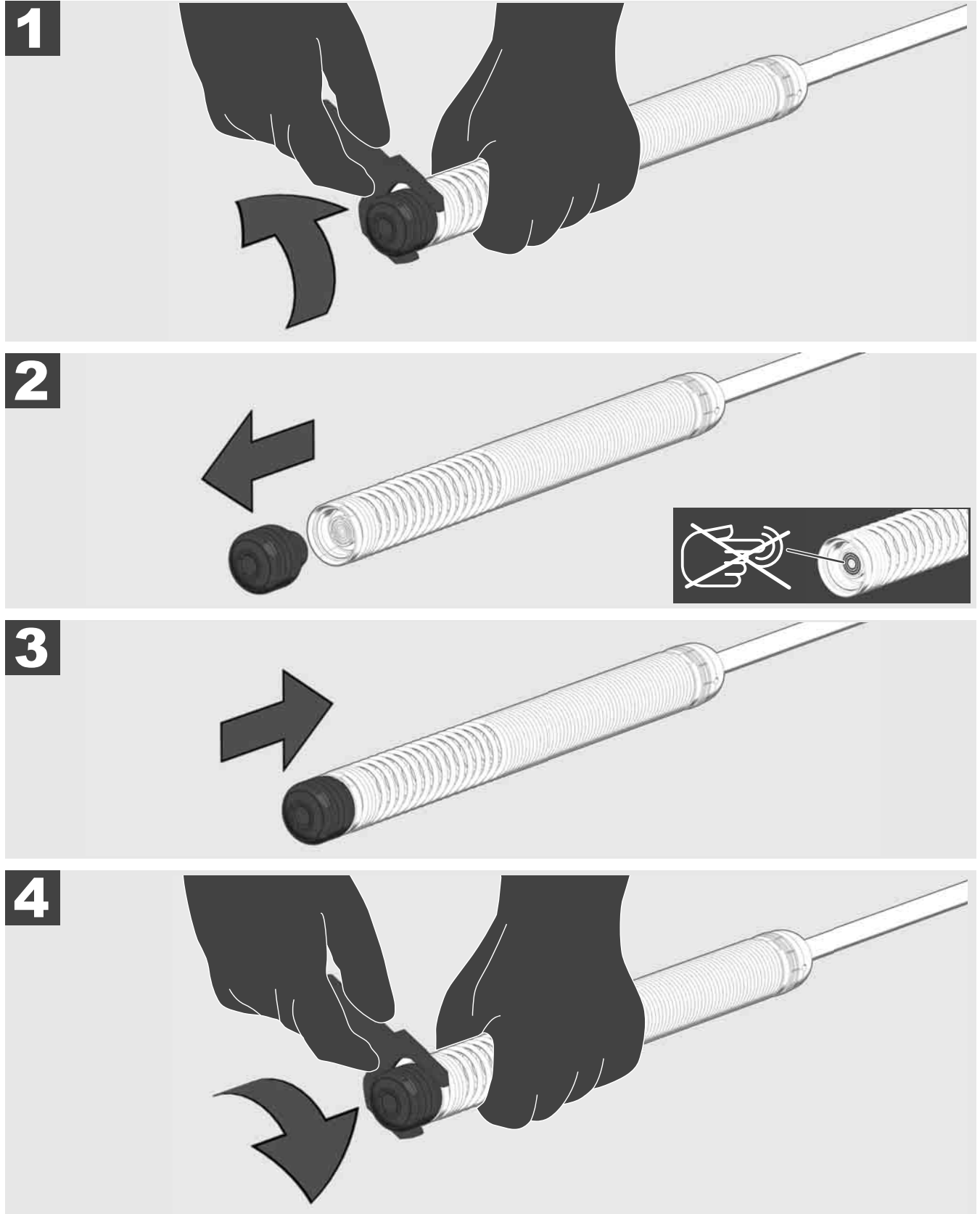
### 3.8 Componente del cabezal de la cámara



Siempre que sea posible, no tocar con las manos sin protección la placa de circuito verde o los contactos dorados del componente de resorte, ni tampoco el cabezal de la cámara. De lo contrario, la capa de grasa acumulada en los dedos se transfiere a estos componentes, lo cual puede provocar su corrosión más rápidamente de lo normal. Siempre que sea posible, lleve puestos unos guantes limpios y secos.

Secar con un paño el cabezal de la cámara antes de extraerlo y eliminar los restos de suciedad que podrían haber caído en la zona de los conectores de la cámara.

¡No apretar a fondo ni emplear ninguna fuerza excesiva!



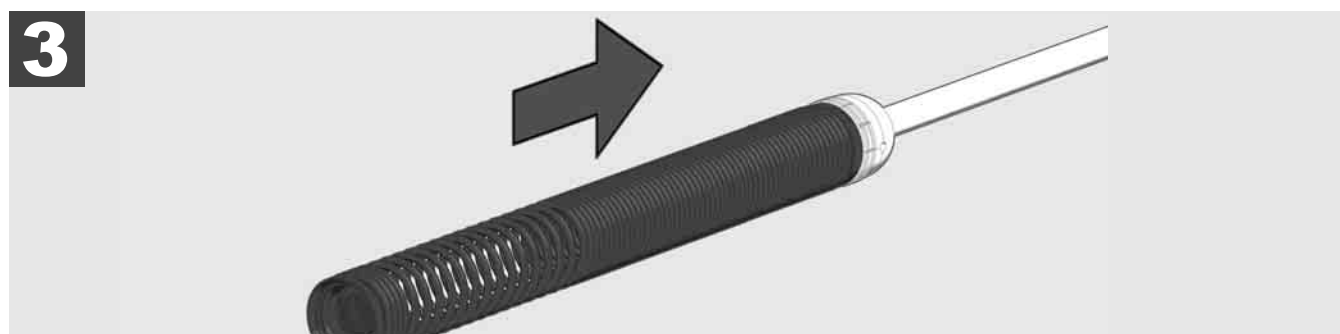
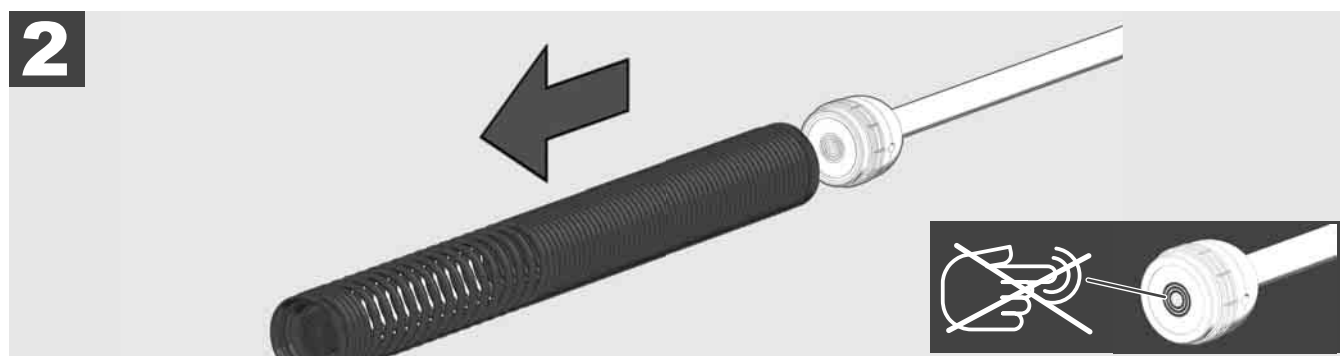
### 3.9 Componente de resorte



Siempre que sea posible, no tocar con las manos sin protección la placa de circuito verde o los contactos dorados del componente de resorte, ni tampoco el cabezal de la cámara. De lo contrario, la capa de grasa acumulada en los dedos se transfiere a estos componentes, lo cual puede provocar su corrosión más rápidamente de lo normal. Siempre que sea posible, lleve puestos unos guantes limpios y secos.

Secar con un paño el cabezal de la cámara antes de extraerlo y eliminar los restos de suciedad que podrían haber caído en la zona de los conectores de la cámara.

¡No apretar a fondo ni emplear ninguna fuerza excesiva!



### 3.10 Tapa protectora de la cámara

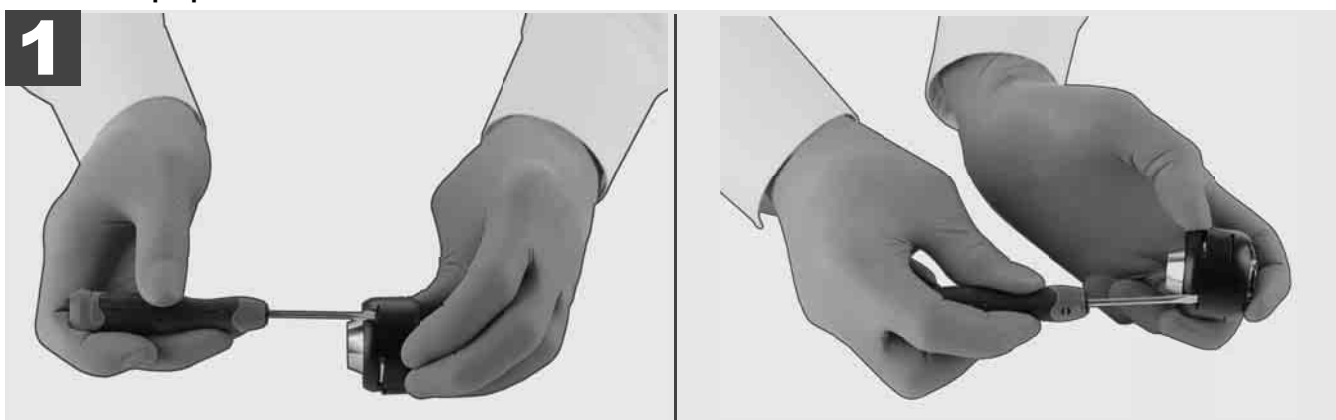


Tapas protectoras – Adecuadas para cabezales de la cámara de un diámetro de 25 mm o 34 mm. Estas tapas protectoras están incluidas en la entrega de todo los CARRETES DE INSPECCIÓN DE TUBERÍAS o de los cabezales de repuesto de la cámara.

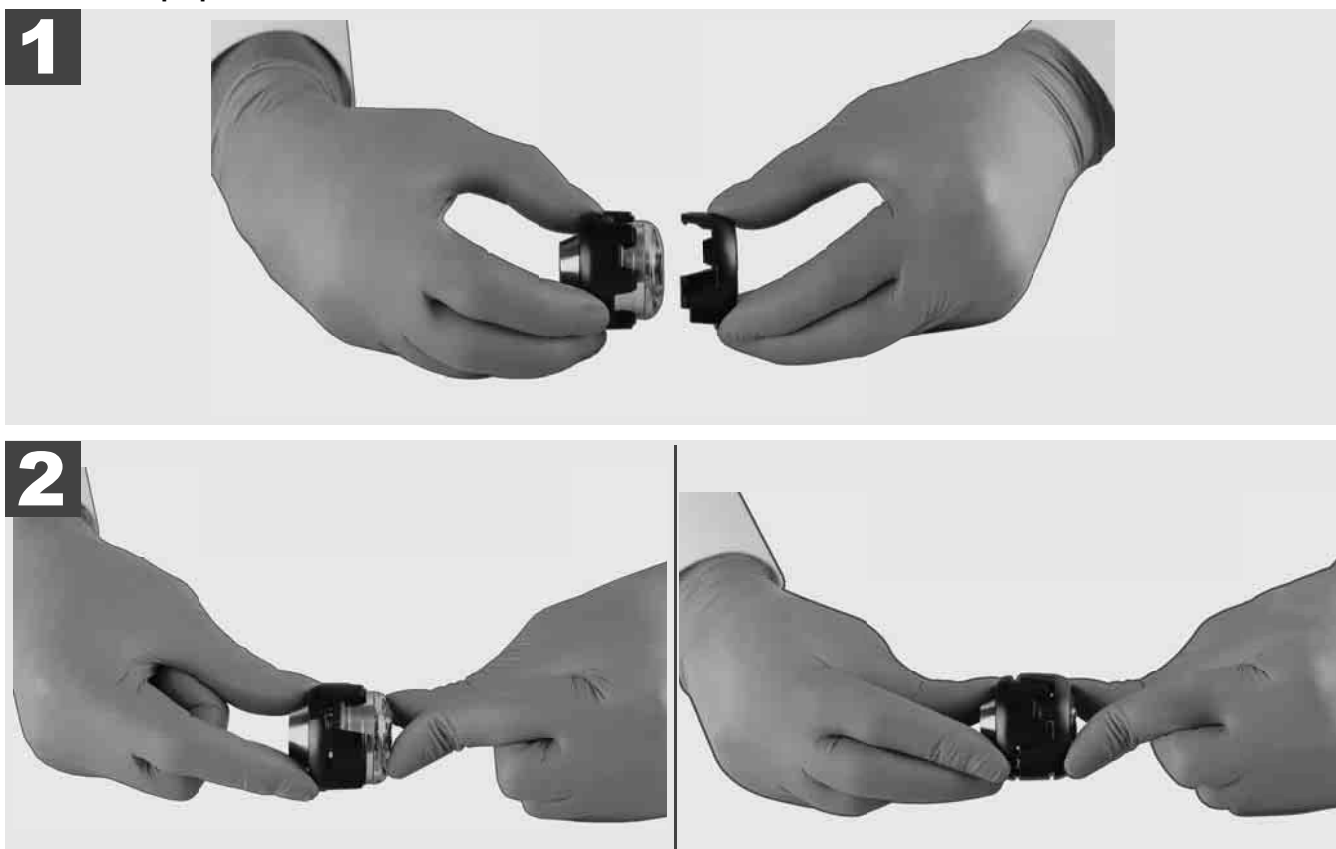
Guías – Se colocan sobre el componente de resorte para que el cabezal de la cámara se pueda desplazar en todo su recorrido sobre el suelo sin entrar en contacto directo con la tubería.



#### Retirar la tapa protectora



#### Instalar la tapa protectora



### 3.11 Guías de la cámara



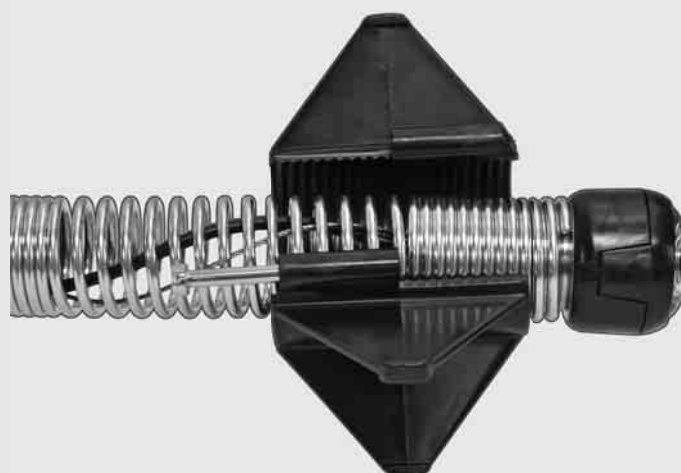
Para los cabezales de la cámara con una anchura de 25 mm o 34 mm se encuentran disponibles dos guías respectivamente: Una versión pequeña de 75 mm y una versión mediana de 100 mm.

Guía de la cámara de 25 mm

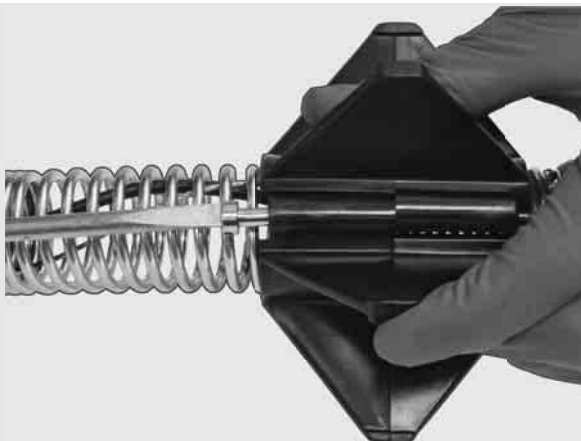
Guía de la cámara de 34 mm



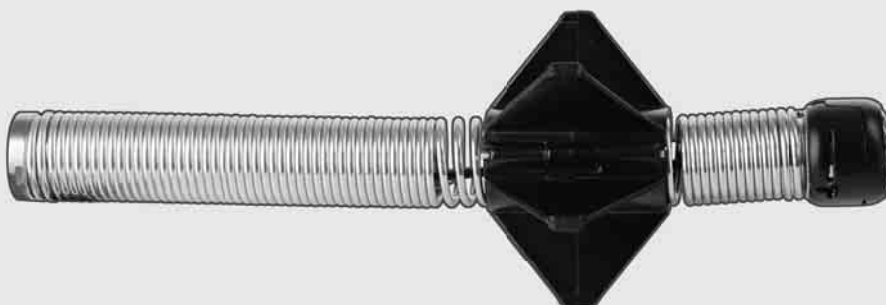
**1**



**2**




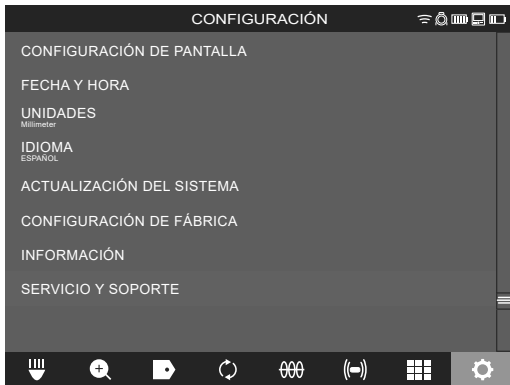
**3**




### 3.12 Servicio y soporte


Si fuese necesario reparar su SISTEMA DE INSPECCIÓN DE TUBERÍAS, acceda a la sección SERVICIO Y SOPORTE de nuestra página web de servicio técnico para herramientas Milwaukee que incluye todos los números de teléfono importantes.

Seleccione **CONFIGURACIÓN**  **SERVICIO Y SOPORTE**





**Milwaukee**  
Nothing but **HEAVY DUTY**®

click 



**M18 SIC36**  
**M18 SIC60**  
**M18 SISH**

click 



**M18 SIM**

click 

1	Instruções gerais.....	2
1.1	Instruções de segurança especiais para sistemas de inspeção de tubos.....	2
1.2	Instruções de segurança e trabalho suplementares.....	2
1.3	Dados técnicos.....	3
1.4	Utilização conforme a destinação.....	3
1.5	Requisitos de radiofrequência relativos às instalações europeias.....	3
1.6	Declaração CE de conformidade.....	4
1.7	ONE-KEY™.....	4
1.8	Baterias.....	4
1.9	Transporte de baterias de íão-lítio.....	4
1.10	Manutenção.....	4
1.11	Símbolos.....	5
2	Smart Hub M18 SISH.....	6
2.1	Vista de conjunto Smart Hub M18 SISH.....	6
2.2	Inserir e retirar a bateria.....	7
2.3	Verificar a carga da bateria.....	8
2.4	Inserir o Smart Hub M18 SISH.....	9
2.5	Retirar o Smart Hub M18 SISH.....	10
2.6	Interruptor lig/desl.....	11
2.7	Conectar o monitor.....	12
2.8	Portas USB.....	13
2.9	Barra de aterramento.....	14
2.10	Resetar o contador do comprimento.....	15
2.11	Conexão de teste da câmara.....	16
2.12	Formatar a unidade interna e o dispositivo USB.....	17
2.13	Ajustes de fábrica.....	18
2.14	Atualização do sistema.....	19
3	CARRETÉIS DE INSPEÇÃO DE TUBOS.....	21
3.1	Vista de conjunto carretel de inspeção de tubos M18 SIC36.....	21
3.2	Vista de conjunto carretel de inspeção de tubos M18 SIC60.....	22
3.3	Instalar o dispositivo de transporte.....	23
3.4	Remover o dispositivo de transporte.....	24
3.5	Instalar o monitor sem fio M18 SIM.....	25
3.6	Ajustar o monitor sem fio M18 SIM.....	26
3.7	Utilização do carretel de inspeção de tubos.....	<b>27</b>
3.8	Grupo funcional da cabeça da câmara.....	28
3.9	Conjunto de mola.....	29
3.10	Cobertura de proteção da câmara.....	30
3.11	Guias da câmara.....	31
3.12	Serviço e suporte.....	32

# 1 INSTRUÇÕES GERAIS

## 1.1 Instruções de segurança especiais para sistemas de inspeção de tubos

Ao trabalhar em tubos observe que eles não estejam sob tensão ou tenham carga elétrica acumulada. Os tubos não devem conter líquidos. A câmara e o aparelho não devem entrar em contato com líquidos.

A câmara e o cabo não devem entrar em contato com óleo, gás ou outros materiais corrosivos.

Para reduzir o risco de explosão, choque elétrico e danos materiais sempre verifique a área de trabalho antes de todos os trabalhos. O cabo não deve entrar em contato com componentes elétricos, substâncias químicas ou peças móveis.

Para reduzir o risco de danos no aparelho não exerça força excessiva e não dobre o cabo. Não use a câmara de inspeção e o cabo em áreas em que possam entrar em contato com substâncias cáusticas ou oleosas.

Não use o cabo para remover entupimentos ou obstáculos. Isto não é um limpador de tubos!

Use luvas de látex ou de borracha recomendadas pelo fabricante, óculos de proteção, uma proteção do rosto, roupas de proteção e máscaras respiratórias, quando for provável que produtos químicos, bactérias ou outras substâncias tóxicas ou infetantes estejam na tubulação. Os tubos podem conter produtos químicos, bactérias e outras substâncias que podem causar queimaduras, ser tóxicos ou infetantes ou causar outras feridas pessoais graves.

Observe as instruções de higiene. Não coma ou fume ao manejar ou usar o dispositivo. Depois de manejar ou usar o sistema de inspeção de tubos, use água quente e sabonete para lavar as mãos e outras partes do corpo expostas aos conteúdos do tubo. Isso ajuda a reduzir o risco de saúde devido à exposição a materiais tóxicos ou infetantes.

Antes do uso, verifique se o cabo está desgastado ou danificado. Substitua um cabo desgastado ou danificado antes de usar o dispositivo.

**CUIDADO!** Tenha cuidado ao transportar o sistema de inspeção de tubos nas costas, com ajuda do dispositivo de transporte. É possível que perca o equilíbrio.

Sempre use o dispositivo atenta e cuidadosamente. É impossível prever todas as situações de risco. Não use este dispositivo se não entender estas instruções ou sentir-se sobrecarregado com o trabalho. Para mais informações ou instruções contate a Milwaukee ou um especialista qualificado.

Não remova as etiquetas e as placas de identificação. Estas placas contém informações importantes. Se estas placas não estiverem mais legíveis ou faltarem, contacte o serviço ao cliente da MILWAUKEE para receber uma substituição gratuita.

Alguns pós produzidos por lixadeiras, máquinas de serrar e furadeiras ou outras atividades de construção podem conter substâncias químicas cancerígenas, que provocam anomalias congénitas ou a prejudicam a fertilidade. Exemplos deste tipo de substâncias químicas são:

- chumbo de tintas à base de chumbo,
- óxido de silício cristalino de tijolos, cimento ou outros produtos de alvenaria e
- arsénio ou cromo de madeira para construção tratada quimicamente.

O risco de exposição depende do número de vezes que você exerce este tipo de atividade. Para minimizar o risco de exposição trabalhe sempre em áreas bem ventiladas. Use um equipamento de proteção oficialmente aprovado como, por exemplo, máscaras de pó com filtro de micropartículas.

## 1.2 Instruções de segurança e trabalho suplementares

Não troque a bateria quando a superfície da ferramenta estiver molhada.

Não queime baterias usadas, nem deite-as no lixo doméstico. A Milwaukee possui uma eliminação de baterias usadas que respeita o meio ambiente.

Não guarde baterias junto com objetos metálicos (perigo de curto-circuito).

Só carregue as baterias do sistema M18 com carregadores do sistema M18. Não utilize baterias de outros sistemas.

Em caso de cargas ou temperaturas extremas, uma bateria danificada poderá verter líquido de bateria. Se entrar em contato com este líquido, deverá lavar-se imediatamente com água e sabão. Em caso de contato com os olhos, lave-os bem e imediatamente por pelo menos 10 minutos e consulte um médico o mais rápido possível.

**Advertência!** Para evitar o risco de incêndio, de feridas ou de danificação do produto causados por um curto-circuito, não imerja o dispositivo, a bateria ou o carregador em líquidos e assegure-se de que líquidos não penetrem nos dispositivos ou nas baterias. Líquidos corrosivos ou condutivos como água salgada, determinadas substâncias químicas ou produtos que contenham branqueadores podem causar um curto-circuito.

Este dispositivo não deve ser usado ou limpo por pessoas com capacidades físicas, sensoriais ou psíquicas reduzidas ou que não possuam a experiência ou os conhecimentos necessários, a não ser que tenham sido instruídas sobre o manejo seguro do dispositivo por uma pessoa que possua a responsabilidade legal para a sua segurança. As pessoas supra referenciadas devem ser supervisionadas durante a utilização do dispositivo. Este dispositivo não deve ser usado por crianças. Por isso, ele deve ser guardado num lugar seguro e fora do alcance de crianças, quando ele não for usado.

### 1.3 Dados técnicos

	M18 SIC36	M18 SIC60	M18 SISH
Comprimento do cabo da câmara.....	36 m.....	60 m	
Cabeça da câmara.....	Ø 25 mm.....	Ø 34 mm	
Ampliação máx.....	4x .....	4x	
Tensão da bateria.....			18 V
Peso nos termos do procedimento-EPTA 01/2014 (4.0 Ah / 12 Ah) 12,4.....	kg 20,46.....	kg 5,37	
Banda de frequência Bluetooth (bandas de frequência).....			2402-2480 MHz
Potência de alta frequência.....			1,8 dBm
Versão Bluetooth.....			4.0 BT signal mode
Temperatura ambiente recomendada ao trabalhar .....	-18 ....	+50 °C	
Tipos de baterias recomendadas.....		M18B....; M18HB....	
Carregadores recomendados .....		M12-18C, M12-18AC, M12-18FC, M1418C6	

### 1.4 Utilização conforme a destinação

O sistema de inspeção de tubos destina-se a vistoriar e inspecionar tubulações. O sistema conste em três módulos:

#### - Carretel de inspeção de tubos M18 SIC36 ou M18 SIC60

O carretel de inspeção de tubos destina-se a enrolar e desenrolar e controlar o cabo de deslize. Os carretéis vendem-se em dois tamanhos: M18SIC36 para tubos com um diâmetro de 50 mm a 150 mm e o modelo maior M18SIC60 para tubos com um diâmetro de 75 mm a 250 mm.

Ambos os carretéis contêm um cabo de deslize com conjunto de mola no qual está montada a cabeça da câmara auto-nivelante. O monitor sem fio M18 SIM e o Smart Hub M18 SISH podem ser usados com ambos os carretéis.

Ambos os carretéis podem ser usados na posição vertical e horizontal. É possível fixar um dispositivo de transporte no lado traseiro do M18 SIC36 para carregar o dispositivo nas costas.

#### - Smart Hub M18 SISH

O Smart Hub M18 SISH destina-se a controlar o sistema de inspeção de tubos.

O monitor sem fio M18 SIM ou o tablet, em que o aplicativo de inspeção de tubos da Milwaukee® está instalado, estabelece uma ligação com o Smart Hub M18 SISH para receber as gravações de vídeo e imagens. Os vídeos e as imagens são memorizados na unidade interna do Smart Hubs M18 SISH.

#### - Monitor sem fio M18 SIM (não incluído no volume de fornecimento, pode ser comprado à parte)

O monitor sem fio M18 SIM permite assistir os vídeos gravados pela cabeça da câmara, gravar vídeos e fotos e reproduzir ficheiros de vídeo e imagens. Durante a gravação do vídeo, comentários ditos ao microfone interno podem ser gravados. Através da função “Marcações” também é possível adicionar textos de comentário. Os textos de comentário são mostrados no vídeo gravado e aparecem nas fotos junto com a data, a hora e o comprimento do cabo desenrolado.

Só use este dispositivo conforme a destinação.

### 1.5 Requisitos de radiofrequência relativos às instalações europeias

Nota: Este dispositivo foi testado e cumpre os valores limite dum receptor da categoria 3 nos termos de EN 300 440 V2.1.1.

Estes valores limite devem proporcionar uma proteção adequada contra interferência prejudiciais em edifícios residenciais.

Estes dispositivo reage a outros dispositivos que emitem ondas de rádio na faixa de frequência de 2402 a 2480 MHz. Isso pode causar falhas na utilização do controlo remoto. Não é possível excluir que falhas se manifestem em determinadas circunstâncias. Para verificar se este dispositivo é afetado pelos sinais de rádio de outros dispositivos, desligue os outros dispositivos por curto tempo para verificar se as interferências desaparecem. As seguintes medidas podem ajudar a solucionar as falhas:

- Desligue a fonte de perturbação.
- Aumente a distância à fonte de perturbação.



- Consulte um vendedor autorizado ou um técnico de radiocomunicações qualificado.

## 1.6 Declaração CE de conformidade

Pela presente, a Techtronic Industries GmbH declara que o presente tipo de equipamento de rádio M18SISH está em conformidade com a Diretiva 2014/53/UE. O texto integral da declaração de conformidade está disponível no seguinte endereço da Internet: <http://services.milwaukeeetool.eu>

## 1.7 ONE-KEY™

Para aprender mais sobre a função ONE-KEY para este dispositivo, consulte o Guia de Início Rápido fornecido com este produto ou visite a [milwaukeeetool.com/one-key](http://milwaukeeetool.com/one-key) na Internet. Para baixar o aplicativo ONE-KEY ao seu smartphone visite a App Store ou a Google Play.

Em caso de descargas eletrostáticas, a ligação Bluetooth é interrompida. Neste caso, restabeleça a ligação manualmente.

O dispositivo corresponde com os requisitos mínimos nos termos das normas EN 55014-2:2015 / EN 301489-1 V2.2.3 / EN 301489-17 V3.1.1.

### Indicador ONE-KEY™

Luz azul acesa: A ligação rádio está ativa e pode ser ajustada através do aplicativo ONE-KEY™.

Luz azul piscando: O dispositivo comunica com o aplicativo ONE-KEY™.

Luz vermelha piscando: O dispositivo foi bloqueado por razões de segurança e pode ser desbloqueado pelo utilizador através do aplicativo ONE-KEY™.

## 1.8 Baterias

Baterias não utilizadas durante algum tempo devem ser recarregadas antes da sua utilização.

Temperaturas acima de 50°C reduzem a capacidade da bateria. Evite a exposição prolongada ao sol ou a aquecedores.

Mantenha limpos os contatos eléctricos no carregador e na bateria.

Para uma vida útil ideal da bateria, terá que carregá-la plenamente após a sua utilização.

Para assegurar uma vida útil longa, a bateria deve ser removida do carregador depois do carregamento.

Se a bateria for armazenada por mais de 30 dias:

Armazene a bateria com uma temperatura de menos de 27°C num lugar seco.

Armazene a bateria com aprox. 30%-50% da carga completa.

Carregue a bateria novamente de 6 em 6 meses.

## 1.9 Transporte de baterias de ião-lítio

Baterias de ião-lítio estão sujeitas às disposições da legislação relativa às substâncias perigosas.

O transporte destas baterias deve ser efetuado de acordo com as disposições e os regulamentos locais, nacionais e internacionais.

- O utilizador pode efetuar o transporte rodoviário destas baterias sem restrições.
- O transporte comercial de baterias de ião-lítio por terceiros está sujeito aos regulamentos relativos às substâncias perigosas. A preparação do transporte e o transporte devem ser executados exclusivamente por pessoas instruídas e o processo deve ser acompanhado pelos especialistas correspondentes.

Observe o seguinte no transporte de baterias:

- Assegure-se de que os contatos terminais estejam protegidos e isolados para evitar um curto-circuito.
- Assegure-se de que a bateria esteja protegida contra movimentos na embalagem.
- Não transporte baterias danificadas ou que tenham fuga.




Para instruções mais detalhadas consulte a empresa de transportes.

## 1.10 Manutenção

Só use acessórios e peças de reposição da Milwaukee. Deixe um serviço de assistência da Milwaukee trocar os componentes cuja substituição não foi descrita (observe a brochura Garantia/Endereços de assistência ao cliente).

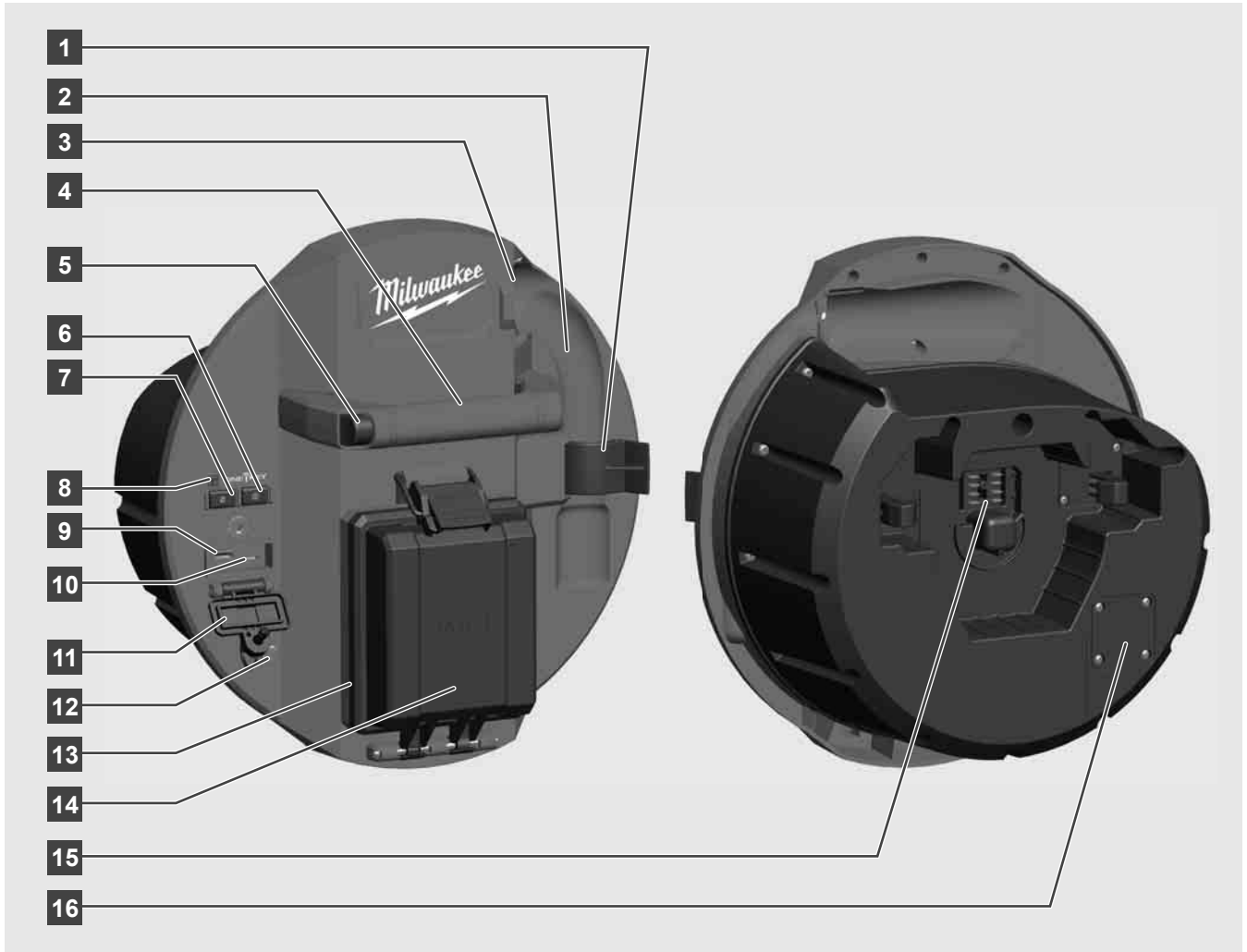
Se for necessário, um desenho de explosão do dispositivo pode ser solicitado do seu serviço de assistência ao cliente ou diretamente da Techtronic Industries GmbH, Max-Eyth-Straße 10, 71364 Winnenden, Alemanha, indicando o tipo do dispositivo e o número de seis posições na placa de identificação.

## 1.11 Símbolos

	ATENÇÃO! ADVERTÊNCIA! PERIGO!
	Tire a bateria antes de efetuar qualquer trabalho no dispositivo.
	Leia atentamente o manual de instruções antes de colocar o dispositivo em funcionamento.
	Use luvas de proteção!
	Sempre use óculos de proteção ao trabalhar com o dispositivo.
	Dispositivos elétricos, pilhas/baterias não devem ser jogados no lixo doméstico. Os dispositivos elétricos e as baterias devem ser coletados separadamente e entregues a uma empresa de reciclagem para a eliminação correta. Solicite informações sobre empresas de reciclagem e postos de coleta de lixo das autoridades locais ou do seu vendedor autorizado.
	Tensão
	Corrente contínua
	Marca de Conformidade Europeia
	Marca de conformidade britânica
	Marca de Conformidade Ucraniana
	Marca de Conformidade Eurasiática

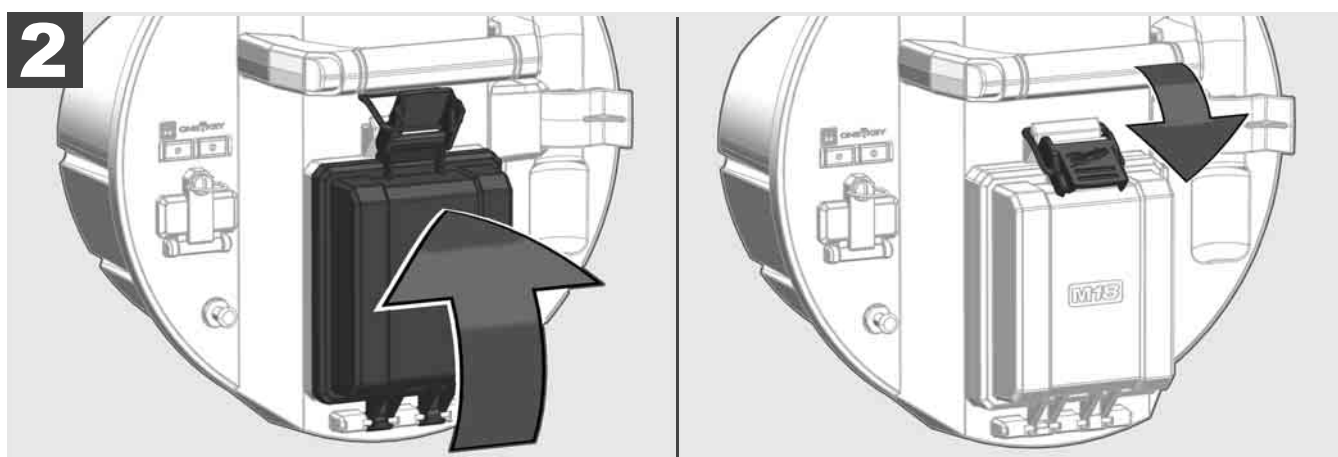
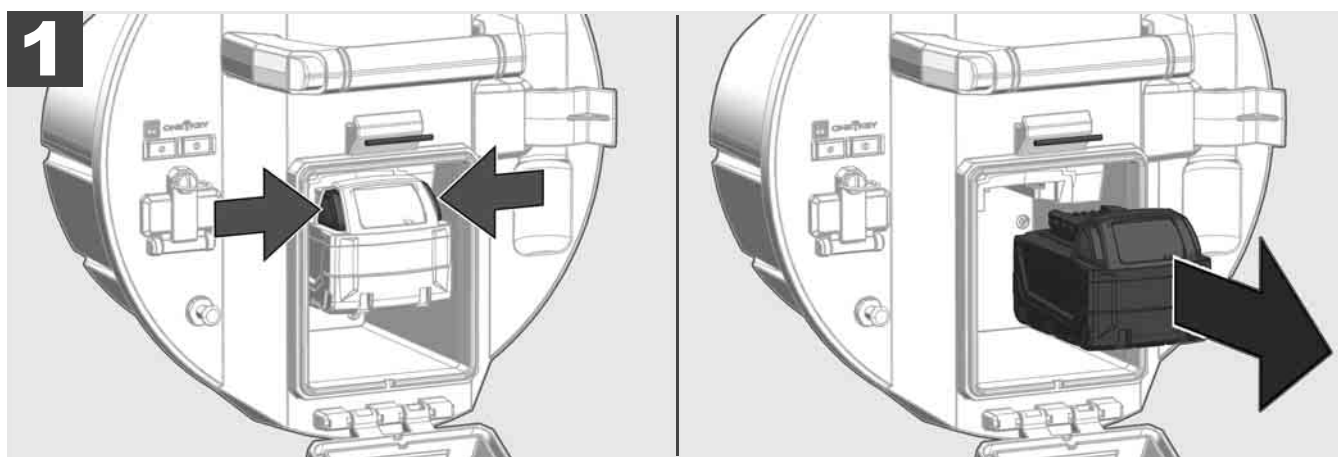
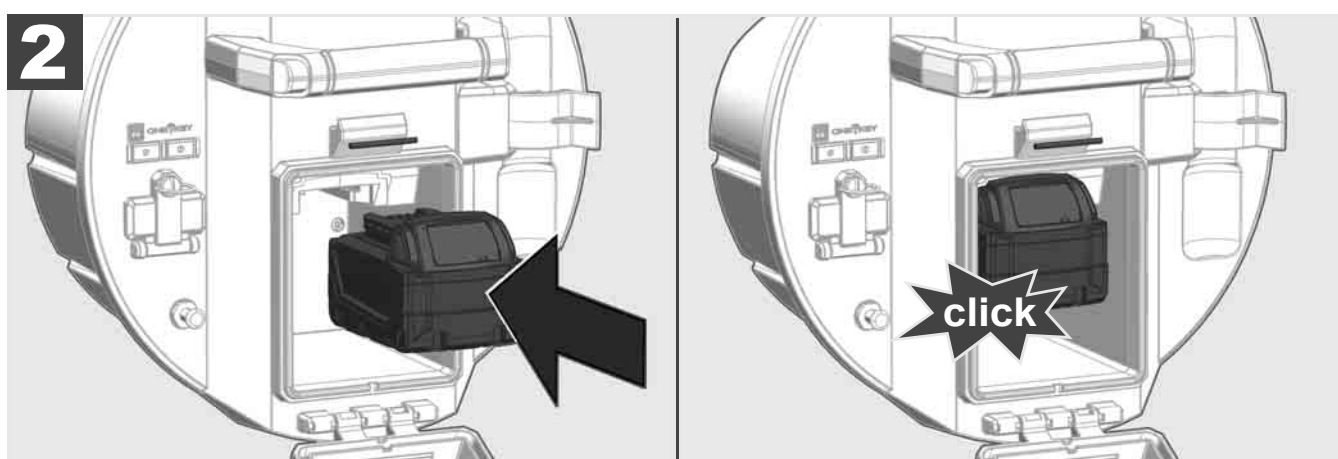
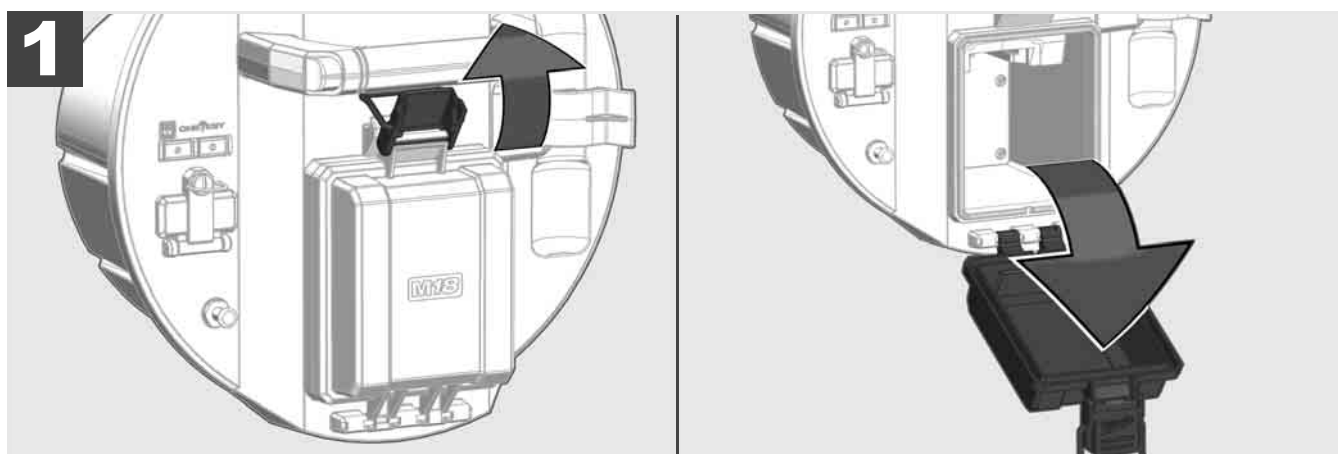
## 2 SMART HUB M18 SISH

### 2.1 Vista de conjunto Smart Hub M18 SISH

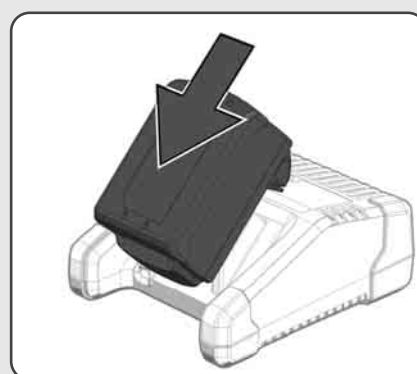


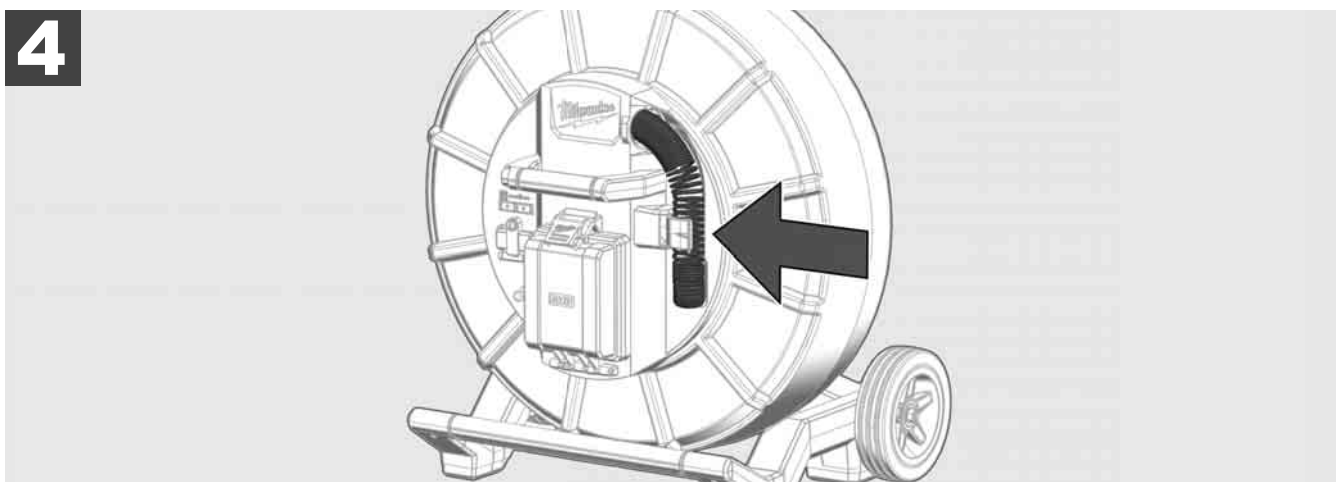
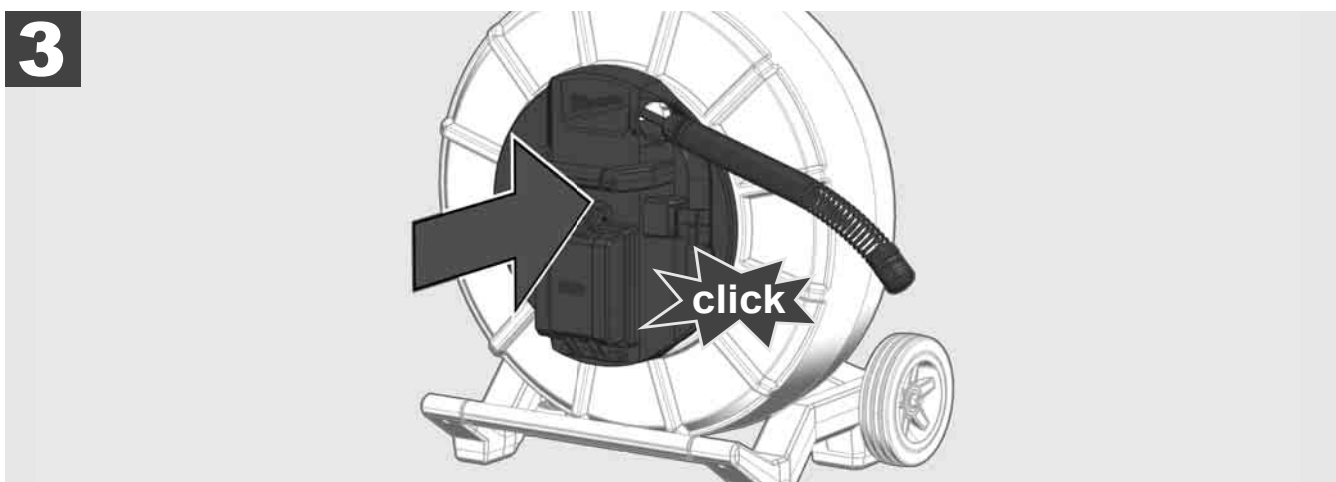
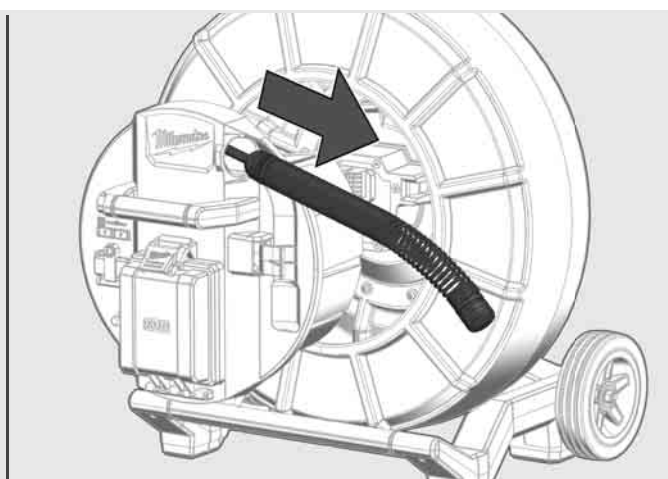
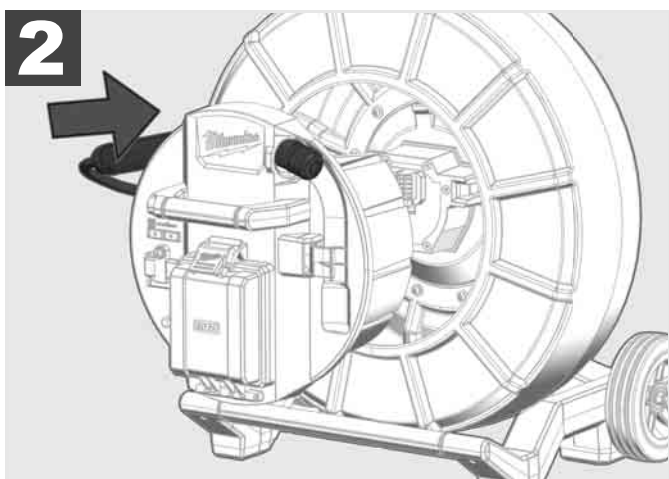
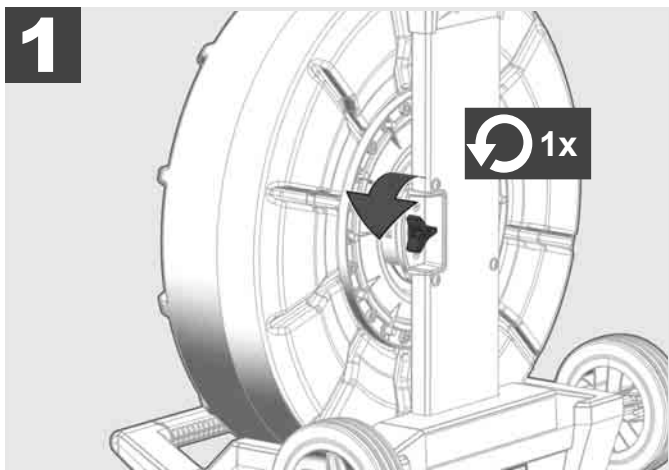
- 1 Clip de bloqueio da mola - Para fixar molas e a câmara durante o transporte.
- 2 Rebaixo para a mola - Mantém a mola e a câmara na posição durante o transporte e o armazenamento.
- 3 Guia do cabo - Antes de engatar o Smart Hub, enfie a mola e o cabo de deslize na guia.
- 4 Manípulo
- 5 Tecla de desbloqueio - Prima esta tecla para soltar o Smart Hub do carretel de inspeção de tubos.
- 6 Interruptor principal - Prima brevemente uma vez para ligar o dispositivo; mantenha premido para desligar o dispositivo.
- 7 Tecla repor o comprimento do cabo - Coloca o comprimento do cabo desenrolado em zero.
- 8 Indicador LED ONE-KEY
- 9 Porta USB-A – Para memorizar vídeos e fotos diretamente e para atualizações do firmware.
- 10 Porta-USB-C – Conexão de alimentação e de dados opcional para a ligação do monitor sem fio M18 SIM com o Smart Hub.
- 11 Cobertura da porta USB – Cobertura impermeável que protege as portas USB contra pó e humidade.
- 12 Barra de aterramento - Para aterrar o Smart Hub no rastreamento do cabo de deslize.
- 13 Cobertura da bateria – Cobertura impermeável que protege a bateria contra pó e humidade.
- 14 Compartimento da bateria – Para a bateria M18™
- 15 Conexão para a ligação do Smart Hub e do carretel de inspeção de tubos.
- 16 Conexão de teste da câmara - Para solucionar erros em caso de problemas com a cabeça da câmara

## 2.2 Inserir e retirar a bateria



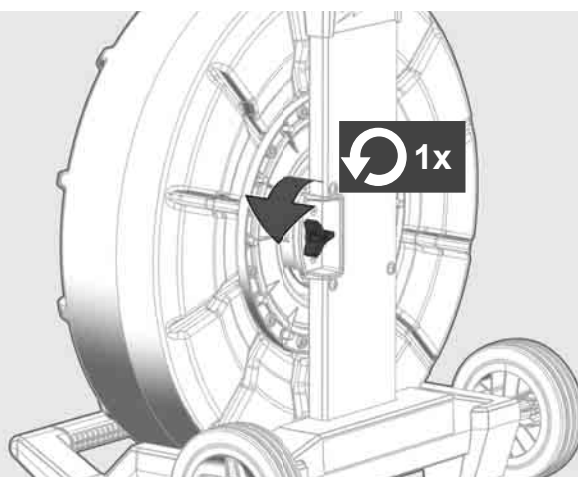
## 2.3 Verificar a carga da bateria



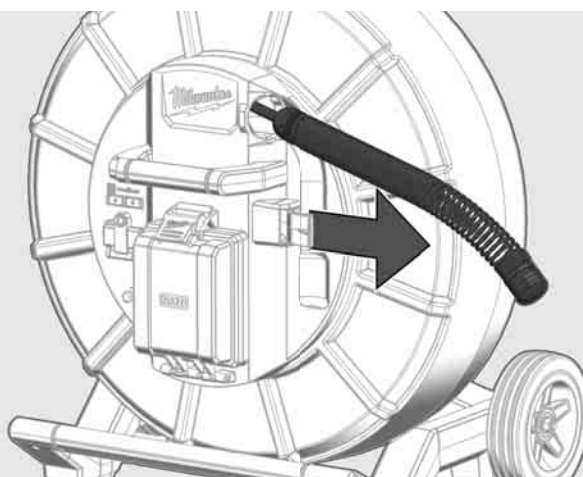




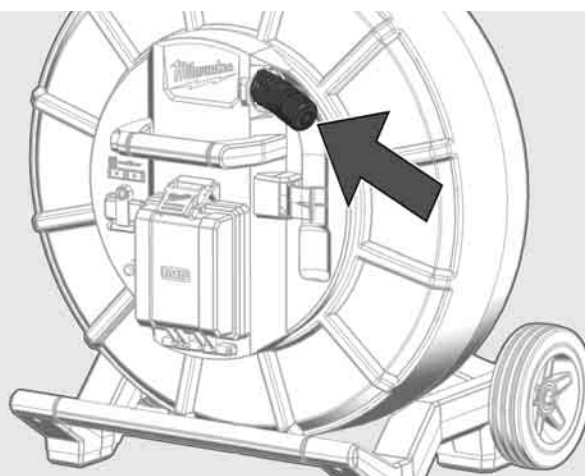
**1**



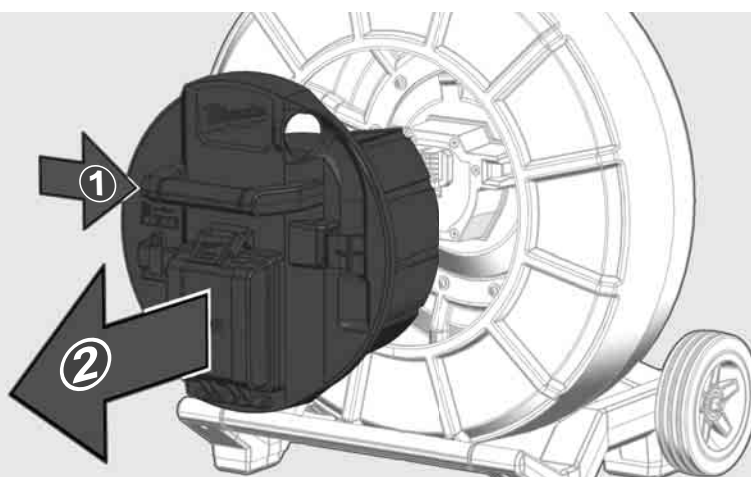
**2**



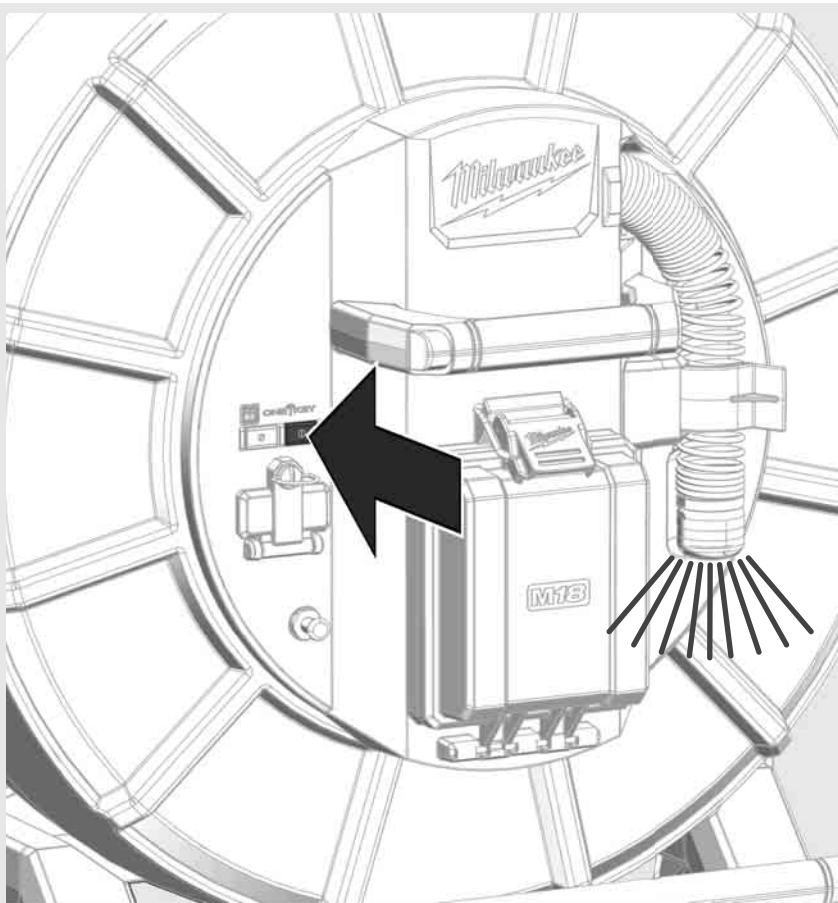
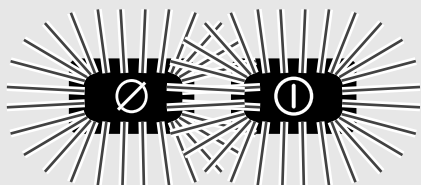
**3**



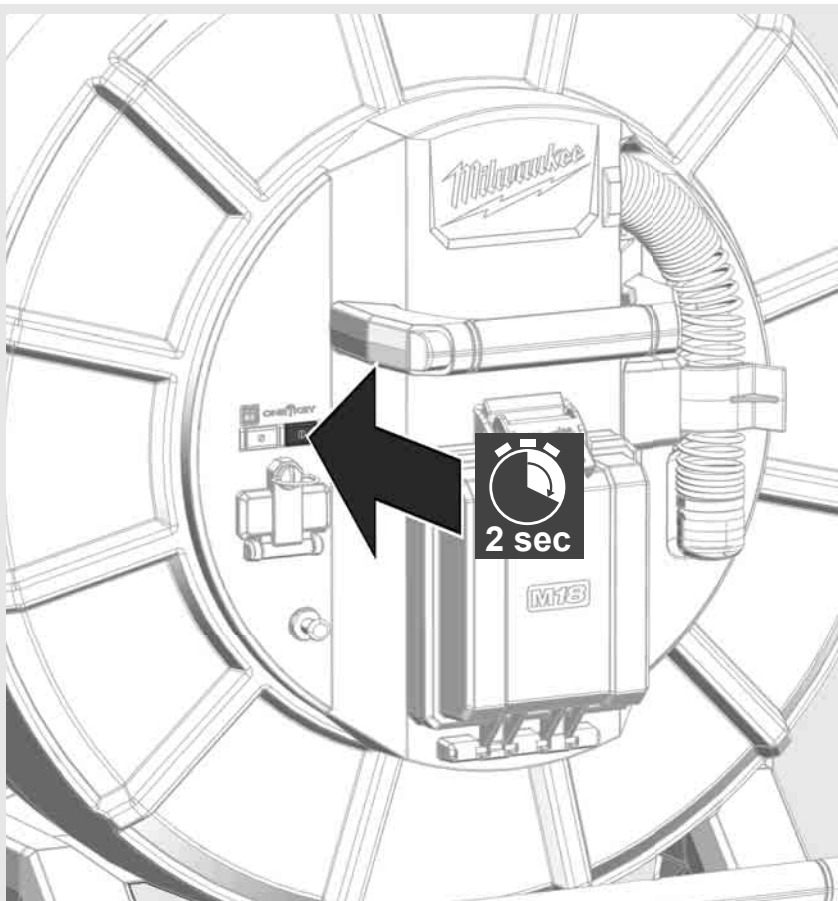
**4**



**ON**



**OFF**





## 2.7 Conectar o monitor

Uma unidade de visualização externa é necessária para mudar a configuração do SISTEMA DE INSPEÇÃO DE TUBOS, controlar as suas funções e mostrar as imagens e os vídeos gravados com a câmara.

A unidade de visualização não está incluída no SISTEMA DE INSPEÇÃO DE TUBOS e deve ser comprada à parte.

As seguintes opções estão disponíveis:

- MONITOR SEM FIO MILWAUKEE M18 SIM
- Tablet ou smartphone com o APLICATIVO DE INSPEÇÃO DE TUBOS MILWAUKEE

O MONITOR SEM FIO é conectado com o SISTEMA DE INSPEÇÃO DE TUBOS através de WiFi ou da PORTA USB-C e pode ser usado imediatamente. Em caso de utilização dum tablet ou smartphone, instale primeiro o APLICATIVO DE INSPEÇÃO DE TUBOS MILWAUKEE no dispositivo correspondente.

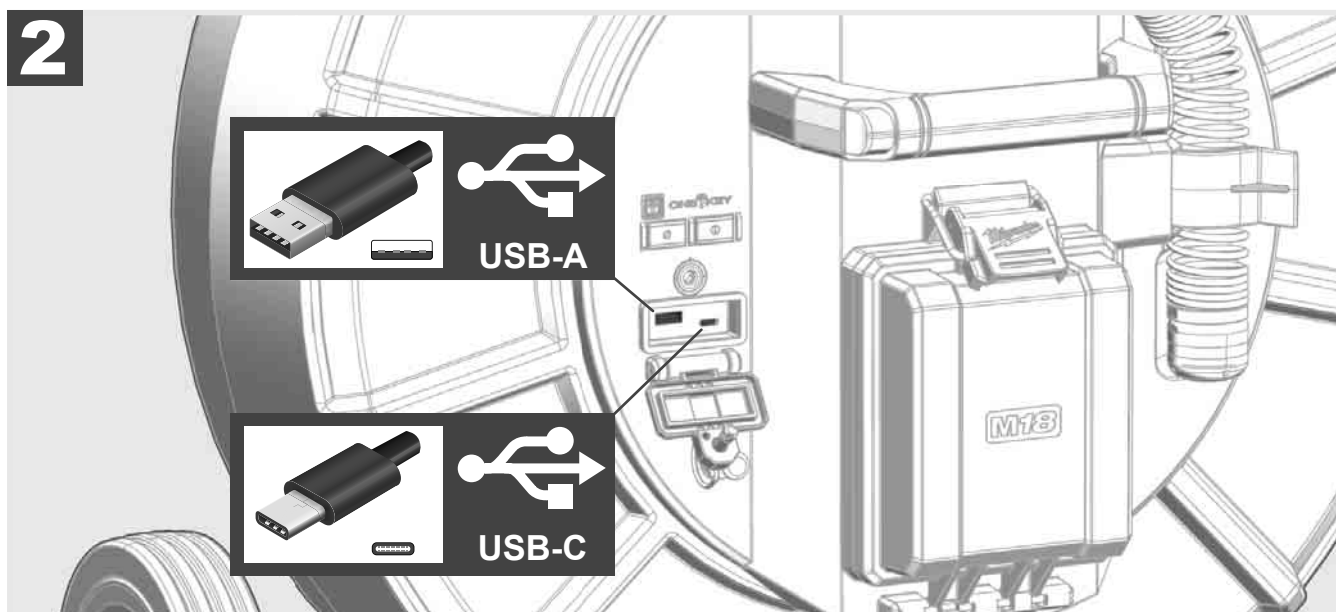
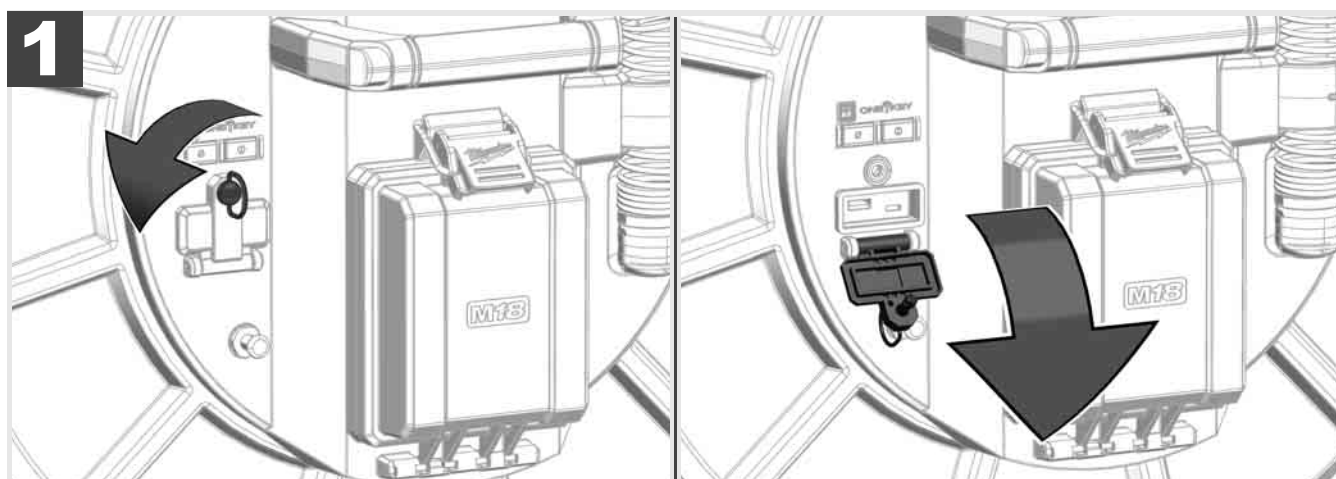
### **PRIMEIRA UTILIZAÇÃO COM MONITOR SEM FIO M18 SIM:**

1. Ligue o SMART HUB e o MONITOR SEM FIO.
2. O MONITOR SEM FIO estabelece automaticamente uma ligação ao SMART HUB, dentro de 25 segundos.

\* Para um conexão com fio, conecte o monitor com o Smart Hub através do cabo USB-C.

### **PRIMEIRA UTILIZAÇÃO COM SMARTPHONE OU TABLET:**

1. Baixe e instale o APLICATIVO DE INSPEÇÃO DE TUBOS MILWAUKEE.
2. Ligue o SMART HUB e a unidade de visualização.
3. Selecione a opção Configuração > WiFi.
4. Selecione a opção MTCAM\_[LAST 9 DIGITS OF HUB SERIAL #].
5. Introduza a palavra-passe: 29702000
6. Inicie o APLICATIVO DE INSPEÇÃO DE TUBOS MILWAUKEE.

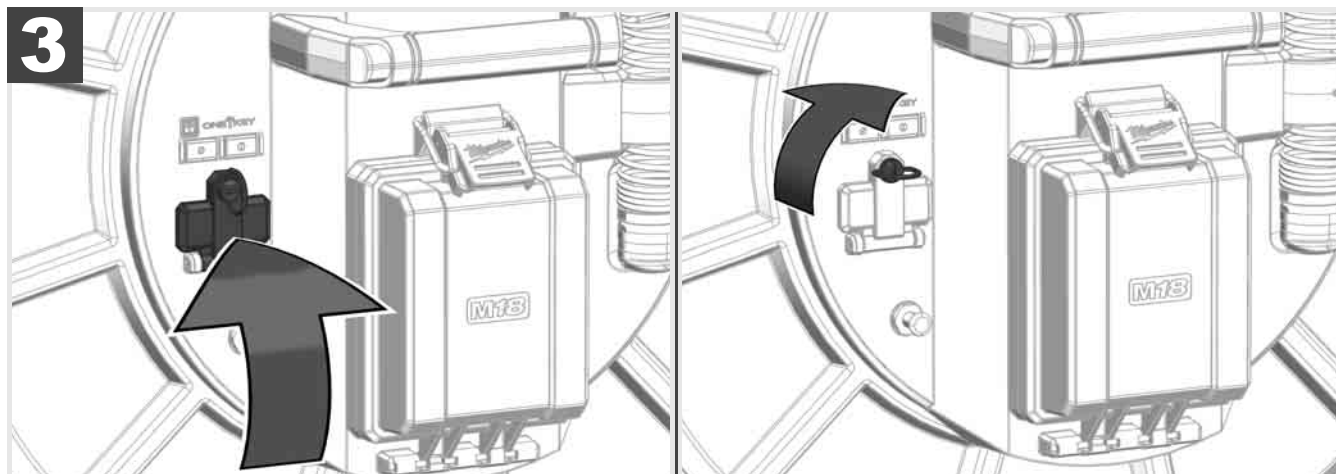


### USB-A

- Porta para o uso normal. Permite gravar diretamente ficheiros de vídeo e imagens ou transmiti-los da unidade interna do Smart Hub.
- Permite executar atualizações do firmware no Smart Hub.

### USB-C

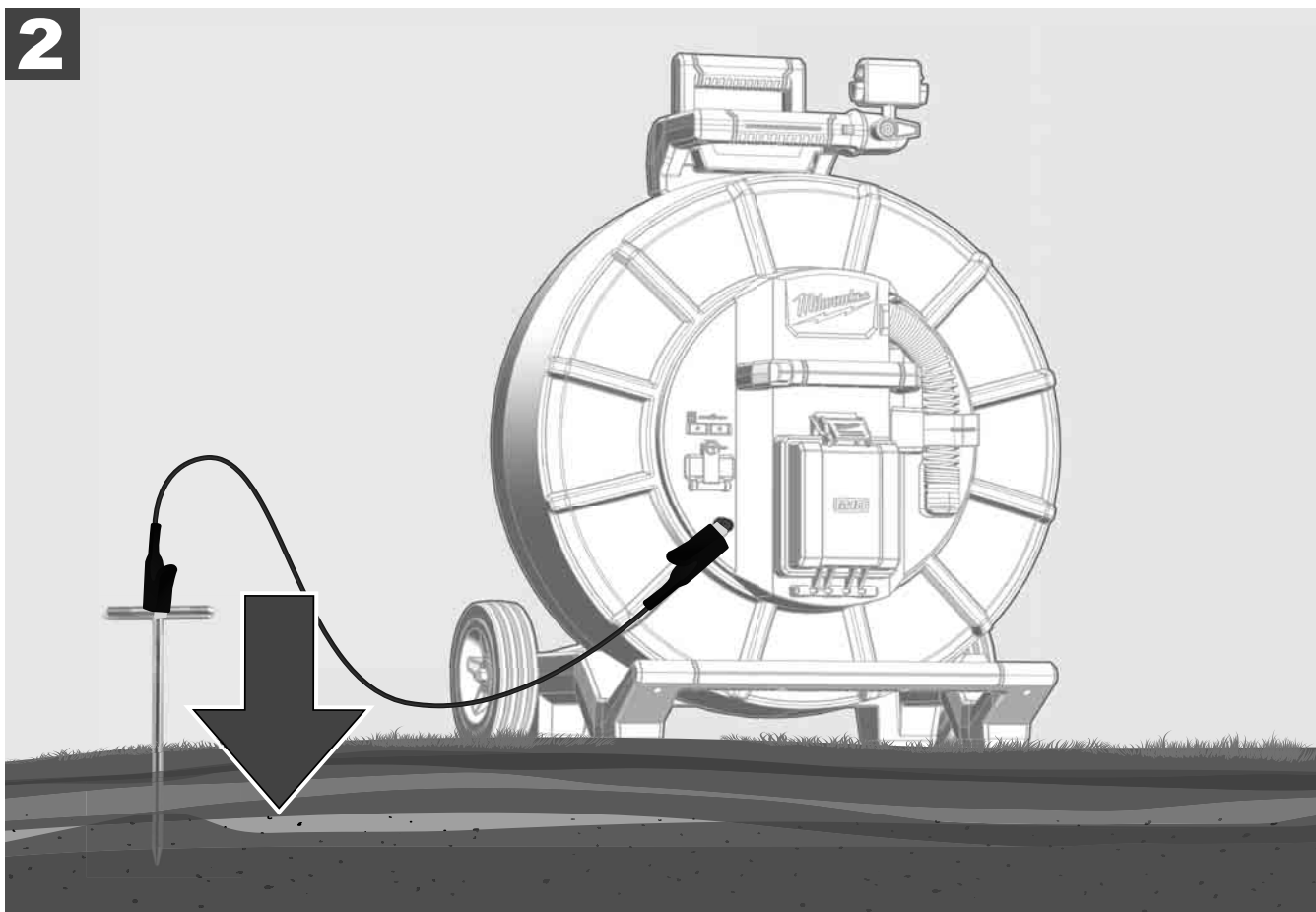
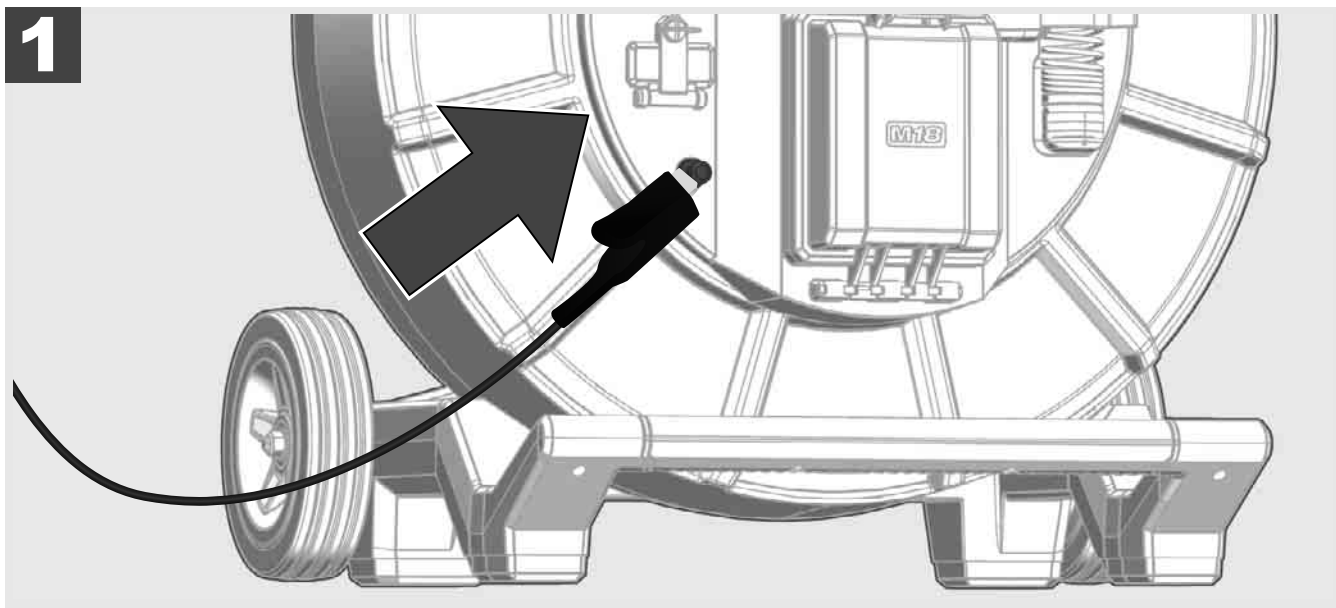
- Permite a ligação entre o monitor sem fio M18 SIM e o Smart Hub sem conexão WiFi. Alimentação elétrica do Smart Hub através do monitor sem fio M18 SIM ou vice-versa, quando a bateria não estiver carregada.



## 2.9 Barra de aterramento



A barra de aterramento sempre deve ser usada, quando o cabo de deslize for rastreado através da função RASTREAMENTO DO CABO. O Smart Hub deve ser aterrado para que o circuito seja fechado e um bom sinal de localização seja transmitido. Use o cabo de aterramento e a barra de aterramento juntados para aterrar o Smart Hub.

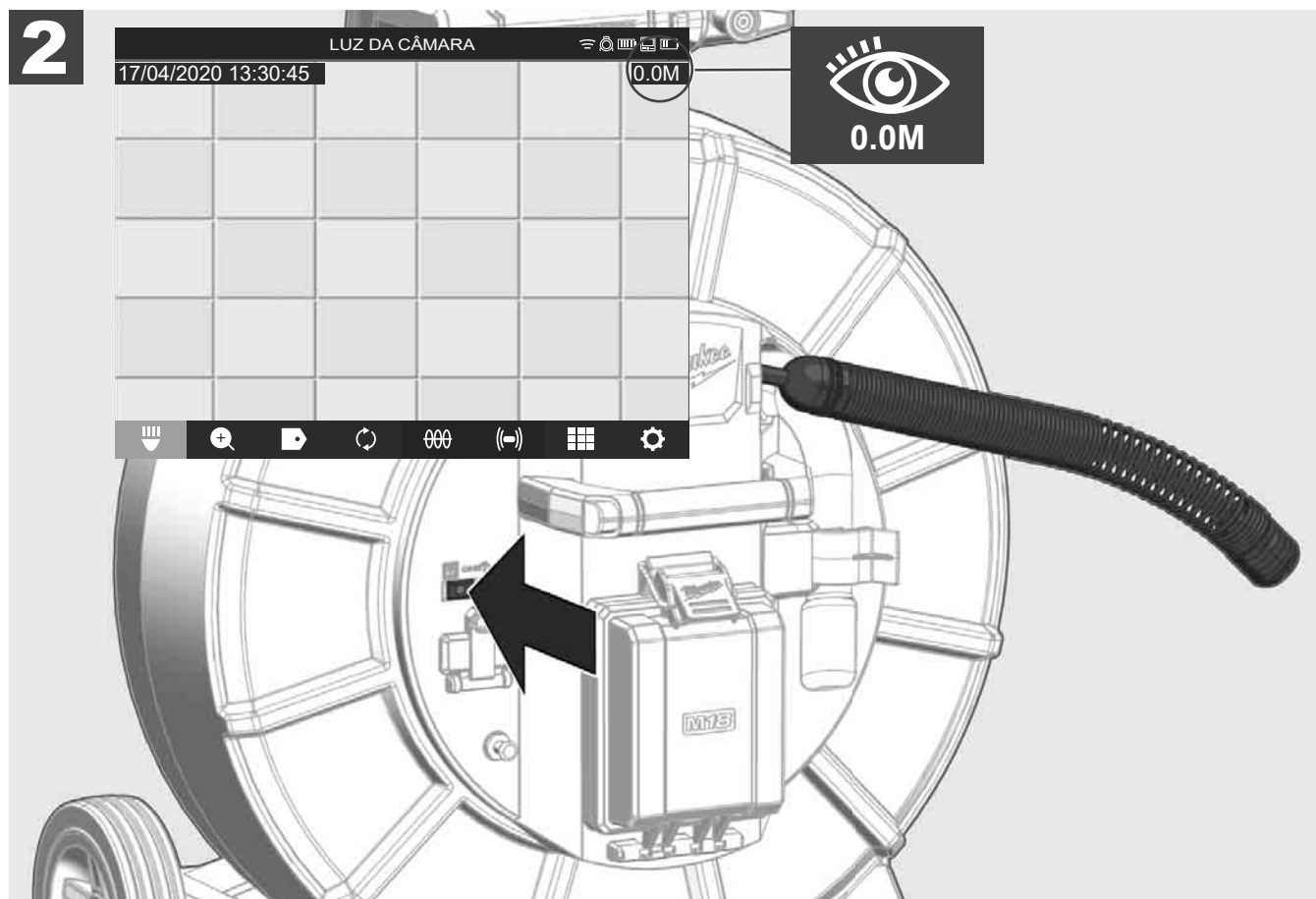
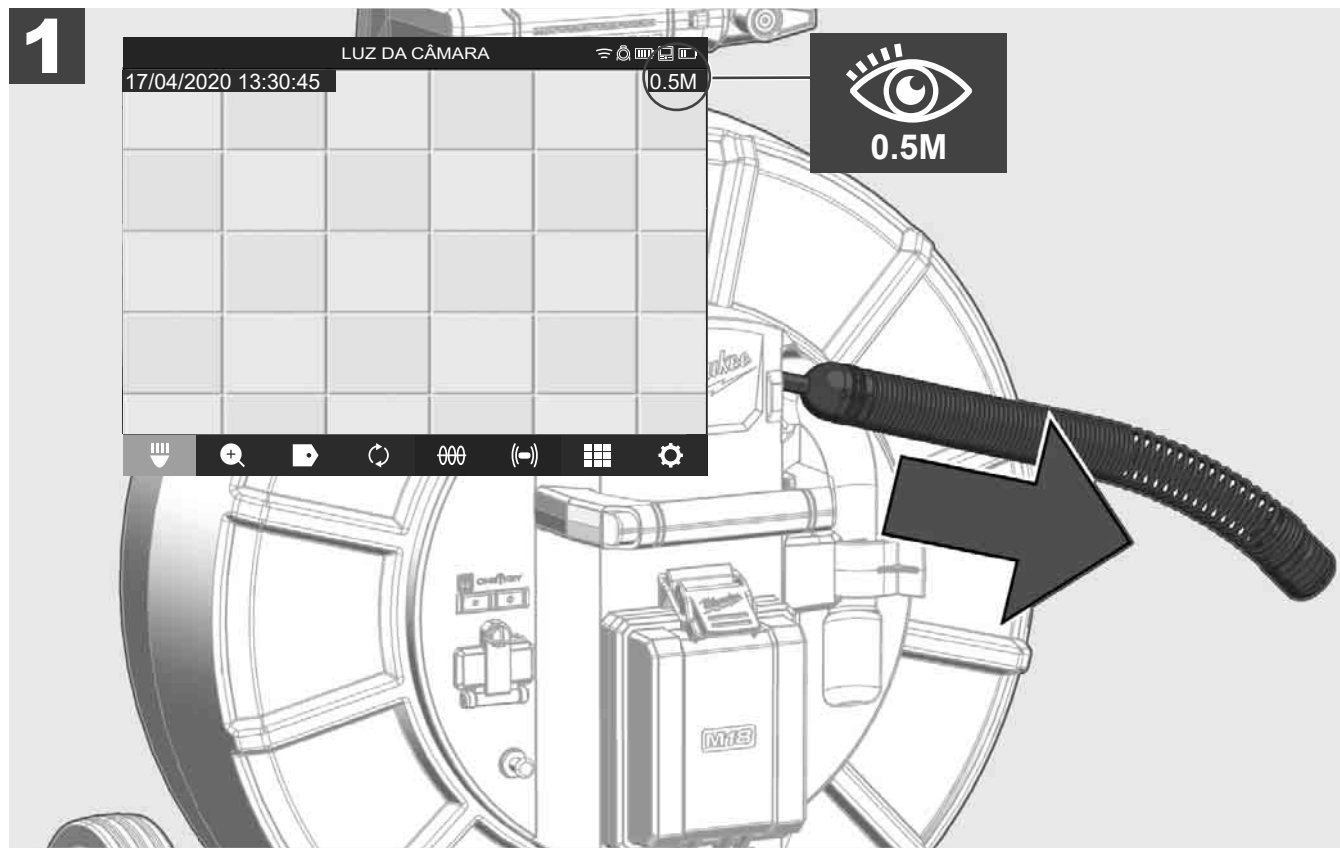


## 2.10 Resetar o contador do comprimento



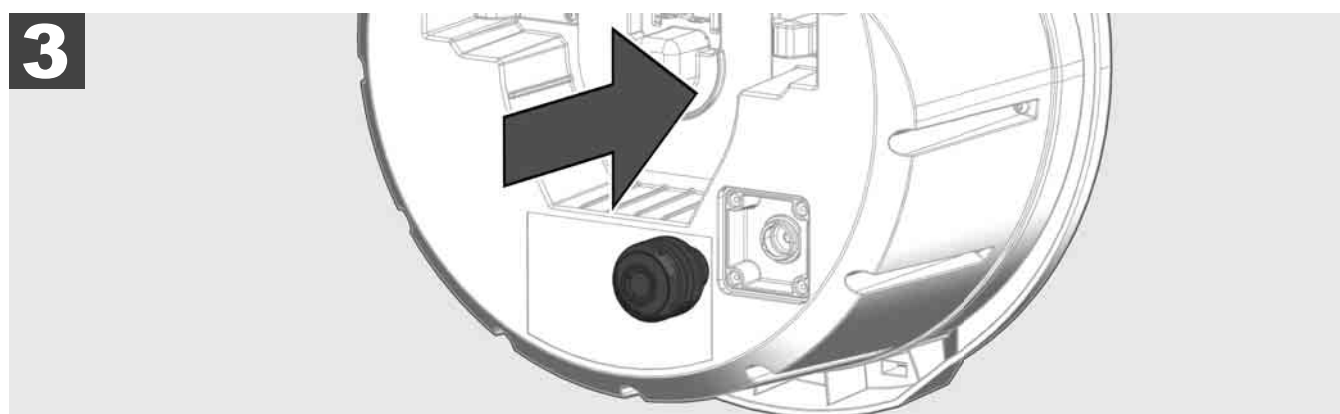
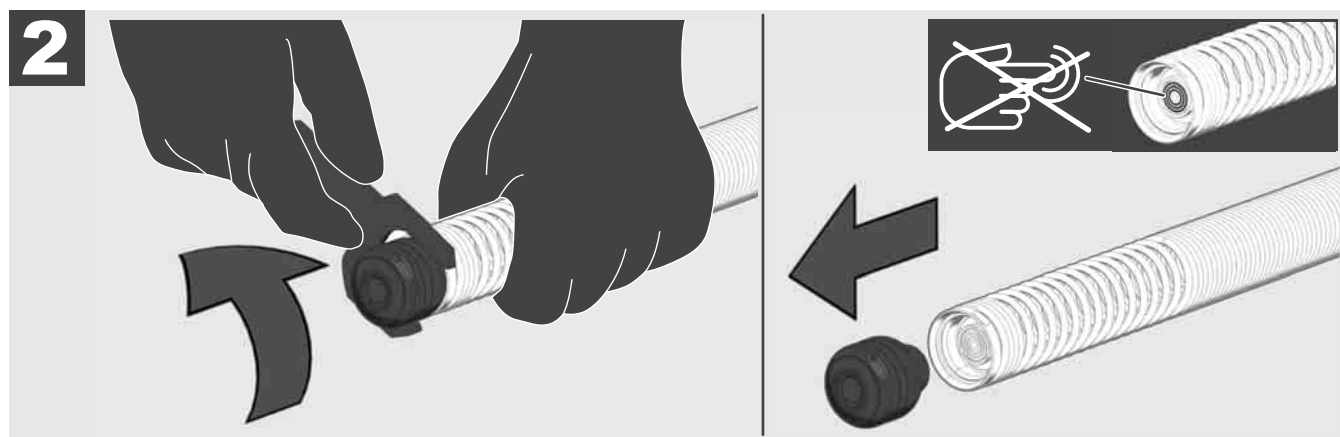
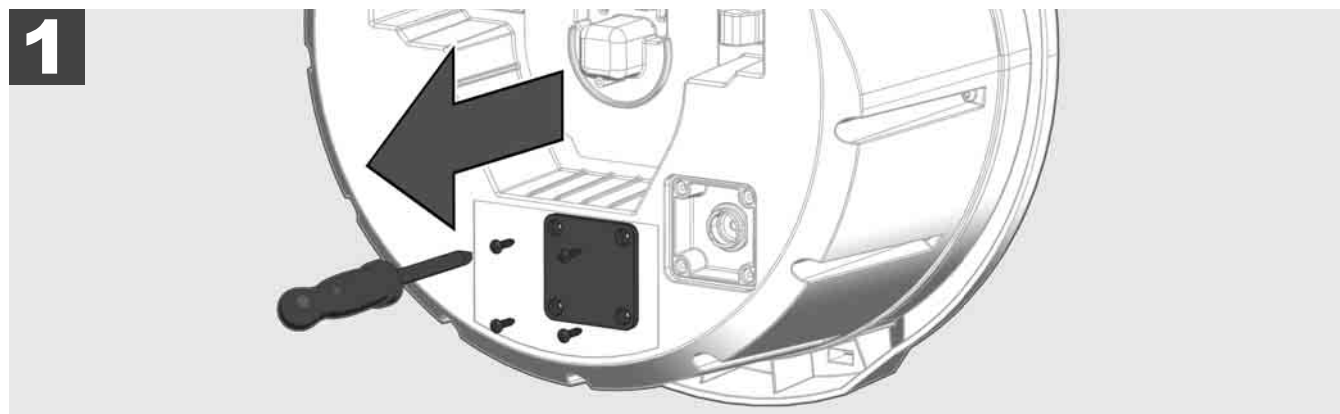
Ao desenrolar o CARRETEL DE INSPEÇÃO DE TUBOS, o comprimento do cabo desenrolado é indicado na barra de status do monitor sem fio M18 SIM.

Para repor o contador na posição inicial prima a tecla .



## 2.11 Conexão de teste da câmara

Se houver problemas com a cabeça da câmara é possível testar a câmara através da conexão de teste.



## 2.12 Formatar a unidade interna e o dispositivo USB

Com esta função você pode formatar a unidade interna 500-GB do Smart Hub ou o dispositivo USB.

Dispositivos USB devem ser formatados no formato FAT32.

1. Selecione **CONFIGURAÇÃO**  → **FORMATAR A MEMÓRIA**
2. Selecione a memória.



3. Confirme a mensagem na tela.



A unidade selecionada é formatada e o sistema volta ao menu **CONFIGURAÇÃO**.

## 2.13 Ajustes de fábrica

A seleção da função ajustes de fábrica repõe o Smart Hub M18 SISH aos valores ajustes na fábrica.

Os seguintes ajustes do Smart Hubs M18 SISH são repostos aos valores de fábrica:

- As MARCAÇÕES são apagadas.
- As configurações de VÍDEO e IMAGEM são colocadas em 1080 P.
- O NOME DA EMPRESA é apagado.
- A FREQUÊNCIA DA Sonda é repostada aos ajustes de fábrica.
- O RASTREAMENTO DO CABO é repostado aos ajustes de fábrica.
- A CONFIGURAÇÃO DA TELA é repostada aos ajustes de fábrica. Tonalidade, brilho, contraste, saturação.
- UNIDADES DE MEDIÇÃO

1. Selecione **CONFIGURAÇÃO**  → **AJUSTES DE FÁBRICA**  
GR31

2. Selecione **AJUSTES DE FÁBRICA** Smart Hub M18 SISH.  
GR32

3. Leia e confirme a mensagem de Reset com OK.  
GR33

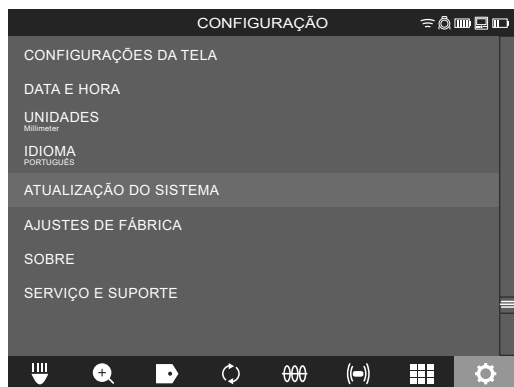
A reposição aos ajustes de fábrica está concluída e o sistema volta ao submenu **AJUSTES DE FÁBRICA**.

## 2.14 Atualização do sistema

Antes da atualização do sistema, abra o menu **CONFIGURAÇÃO** → **SOBRE** e anote a versão atual do firmware.

Atualizações do firmware podem ser realizadas através do monitor sem fio M18 SIM ou com um tablet com o aplicativo de inspeção de tubos Milwaukee®.

1. Ligue o Smart Hub M18 SISH e o monitor sem fio M18SIM ou o tablet com o aplicativo de inspeção de tubos Milwaukee®.
2. Assegure-se de que o monitor sem fio M18 SIM ou o tablet estejam ligados ao SMART HUB M18 SISH através de WiFi. Se não houver uma ligação WiFi, estabeleça-a primeiro.
3. Insira o dispositivo USB com a atualização do firmware na porta USB-A do Smart Hub M18 SISH.
4. Selecione **CONFIGURAÇÃO** ⚙️ → **ATUALIZAÇÃO DO SISTEMA**



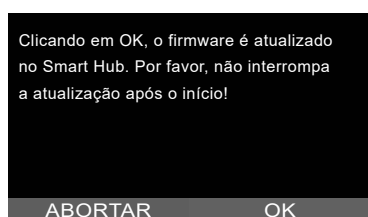
5. Selecione o Smart Hub M18 SISH.



6. O nome da atualização é mostrado na tela. Selecione **NOME DO FICHEIRO** para iniciar a atualização.

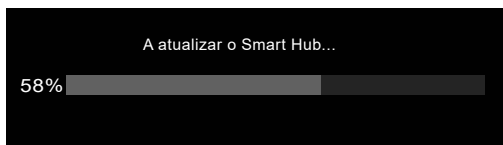


7. Leia e confirme a mensagem de aviso com OK.

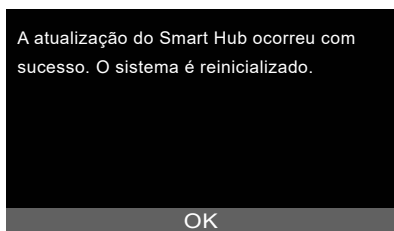




8. O processo de atualização é indicado numa barra de progresso.



9. No fim da atualização é mostrada uma mensagem que deve ser confirmada. Seleccione OK para reinicializar o sistema.



10. Seleccione CONFIGURAÇÃO → SOBRE, para verificar se a versão do firmware foi atualizada.

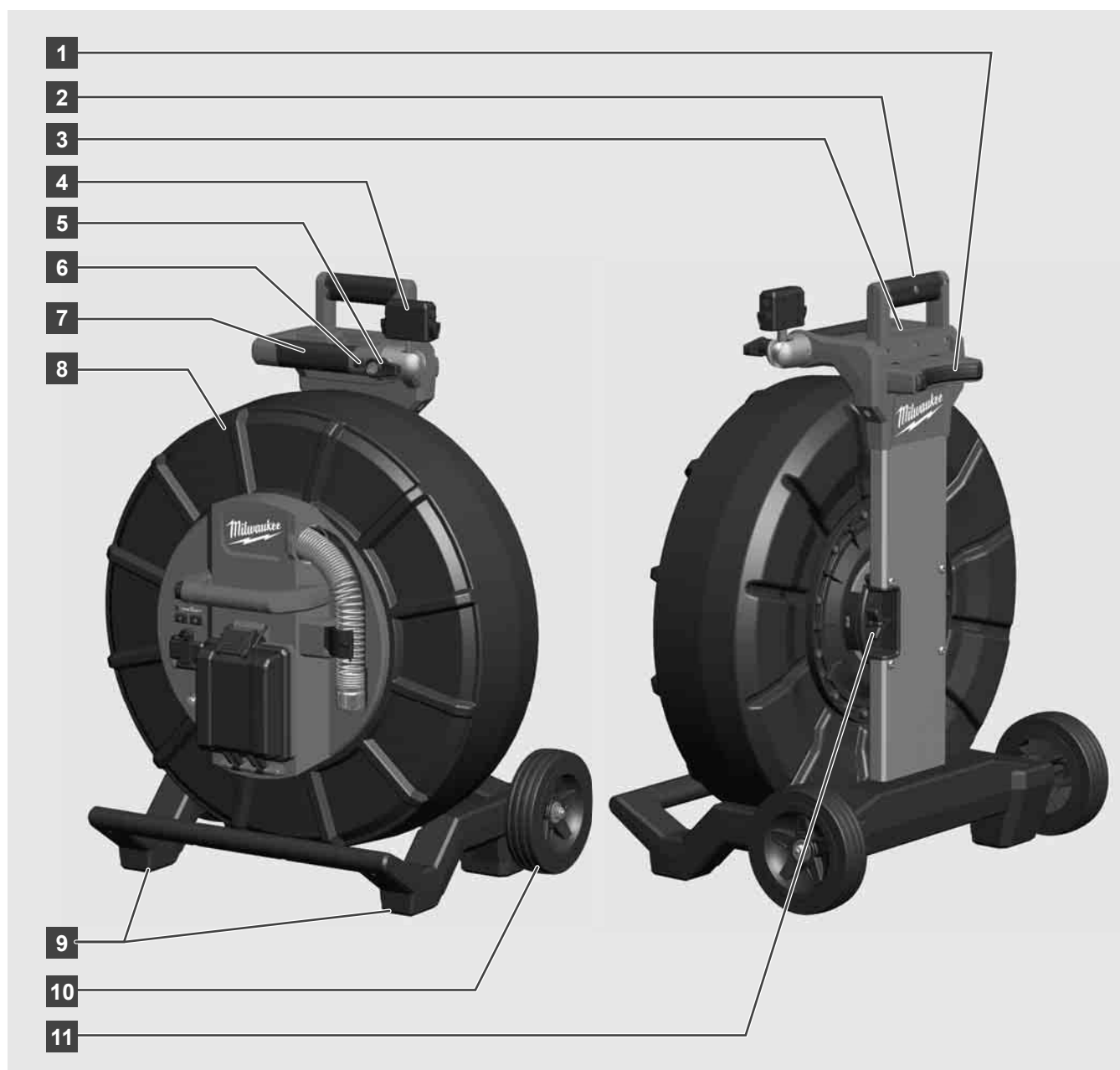
### 3 CARRETÉIS DE INSPEÇÃO DE TUBOS

#### 3.1 Vista de conjunto carretel de inspeção de tubos M18 SIC36



- 1 Pés para o uso horizontal
- 2 Monitor sem fio M18 SIM – Suporte para o tablet e conexão
- 3 Monitor sem fio M18 SIM – bloqueio de rotação
- 4 Monitor sem fio M18 SIM – bloqueio de posição
- 5 Manípulo
- 6 Carretel de cabo com cabo de deslize
- 7 Pés para o uso vertical
- 8 Travão do carretel de cabo
- 9 Pés para o uso horizontal
- 10 Dispositivo de transporte

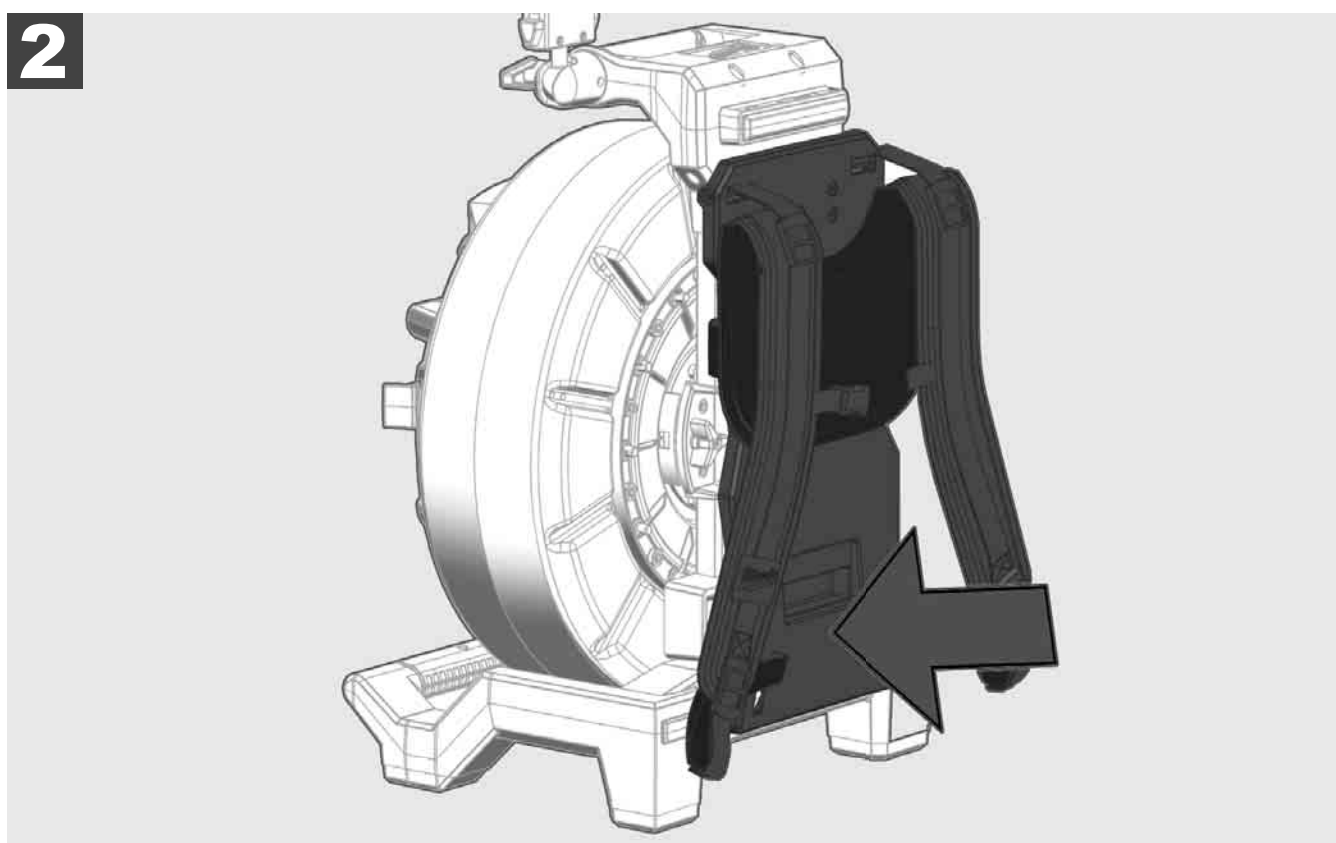
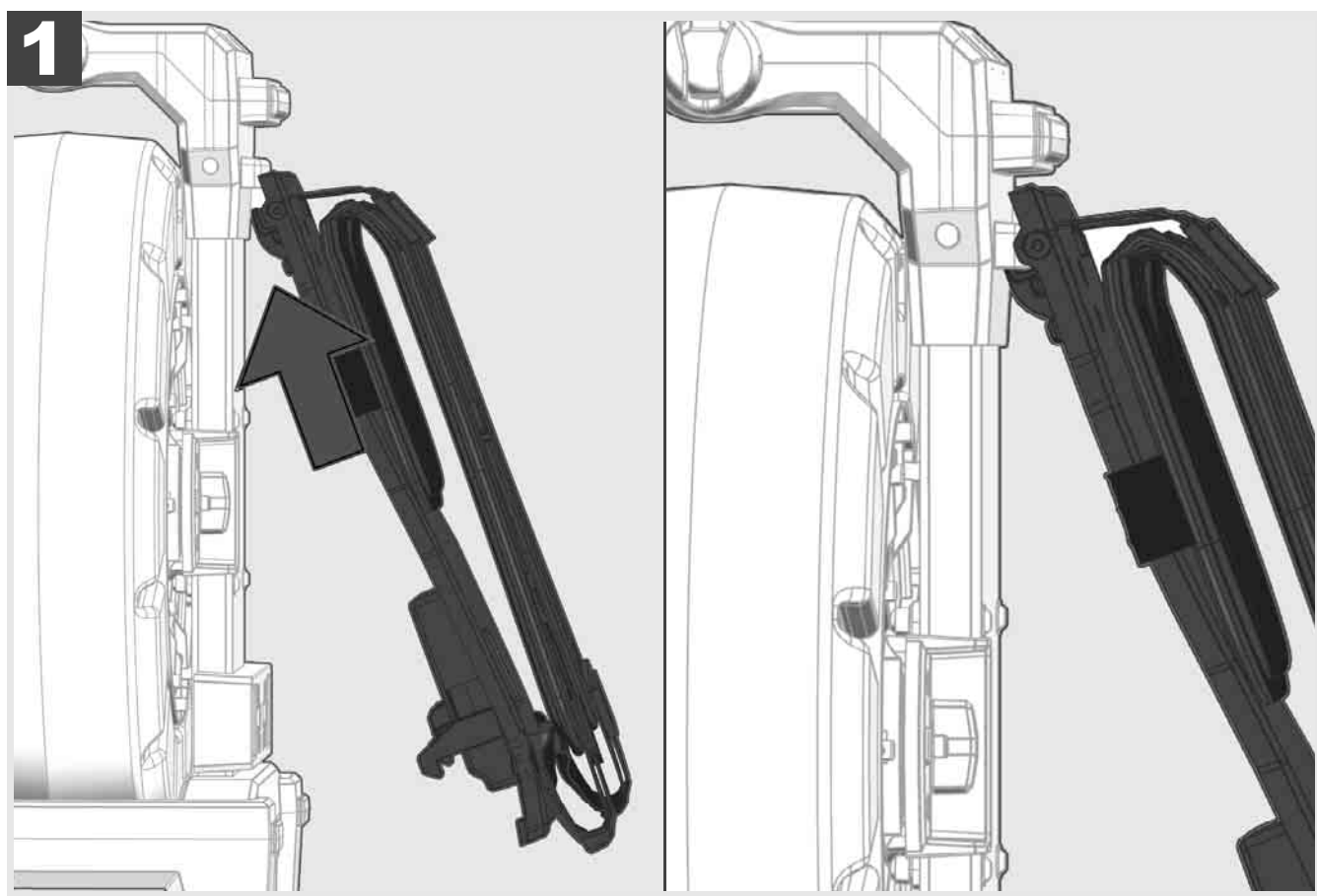
### 3.2 Vista de conjunto carretel de inspeção de tubos M18 SIC60



- 1 Pés para o uso horizontal
- 2 Manípulo extraível (na posição introduzida)
- 3 Tecla para bloquear e desbloquear o manípulo extraível
- 4 Monitor sem fio M18 SIM – Suporte / Suporte para o tablet e conexão
- 5 Monitor sem fio M18 SIM – Bloqueio de rotação
- 6 Monitor sem fio M18 SIM – Bloqueio de posição
- 7 Manípulo
- 8 Carretel de cabo com cabo de deslize
- 9 Pés para o uso vertical
- 10 Rodas
- 11 Travão do carretel de cabo

### 3.3 Instalar o dispositivo de transporte

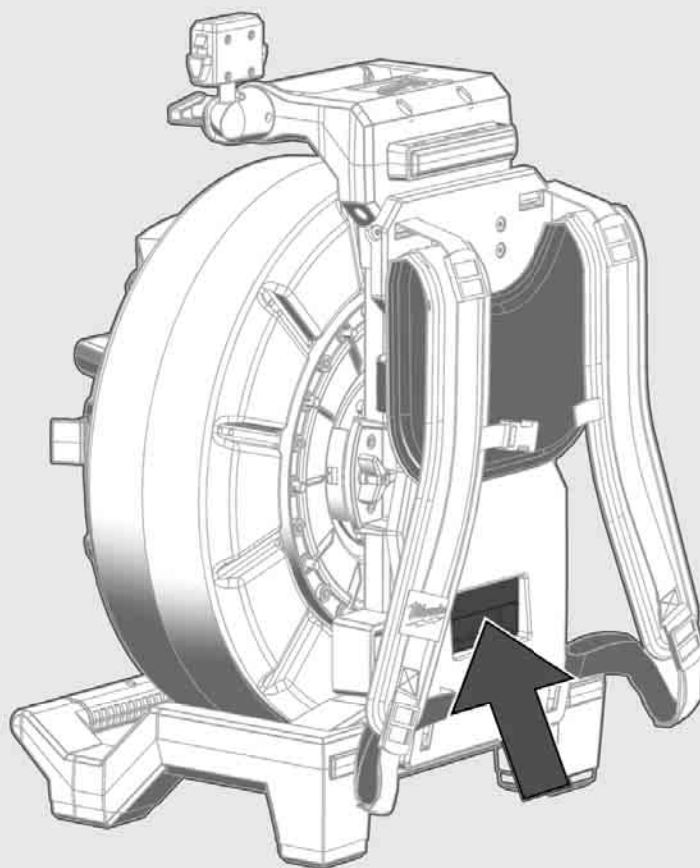
O CARRETEL DE INSPEÇÃO DE TUBOS M18 SIC36 está equipado com um dispositivo de transporte, com o qual o carretel pode ser carregado nas costas como uma mochila. Assim, o pequeno carretel pode ser transportado confortavelmente ao lugar de utilização, o que é muito prático se for necessário subir escadas ou usar escadotes.



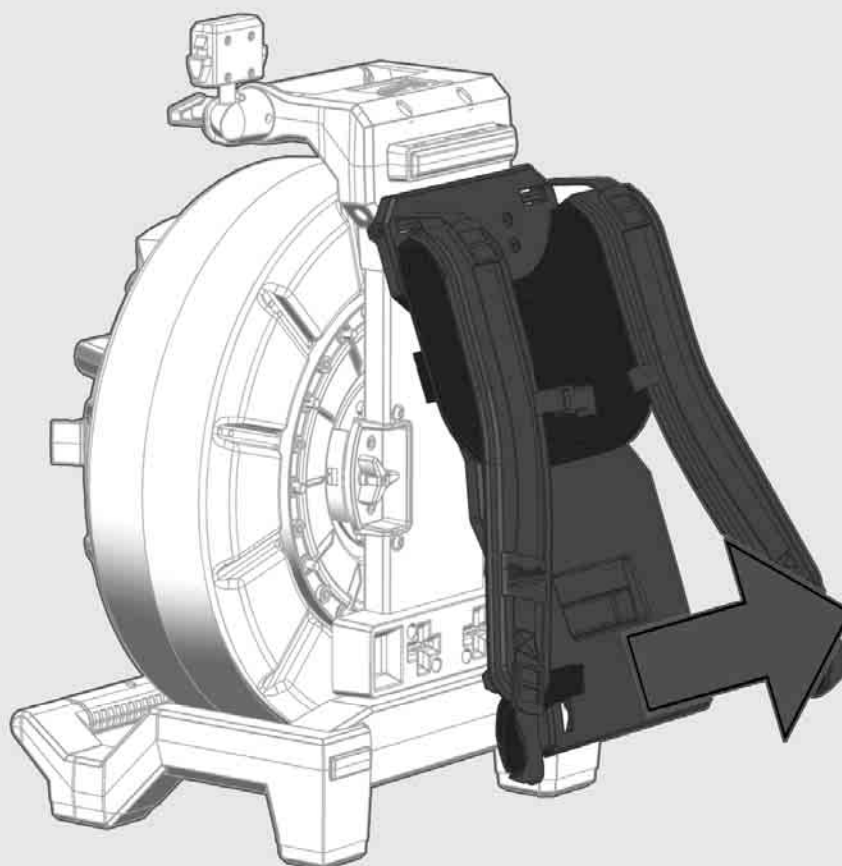
Fixe o dispositivo de transporte em cima e prima com a palma da mão contra o lado inferior até o dispositivo de transporte engatar. Puxe brevemente no dispositivo de transporte para assegurar que ele engate.



**1**

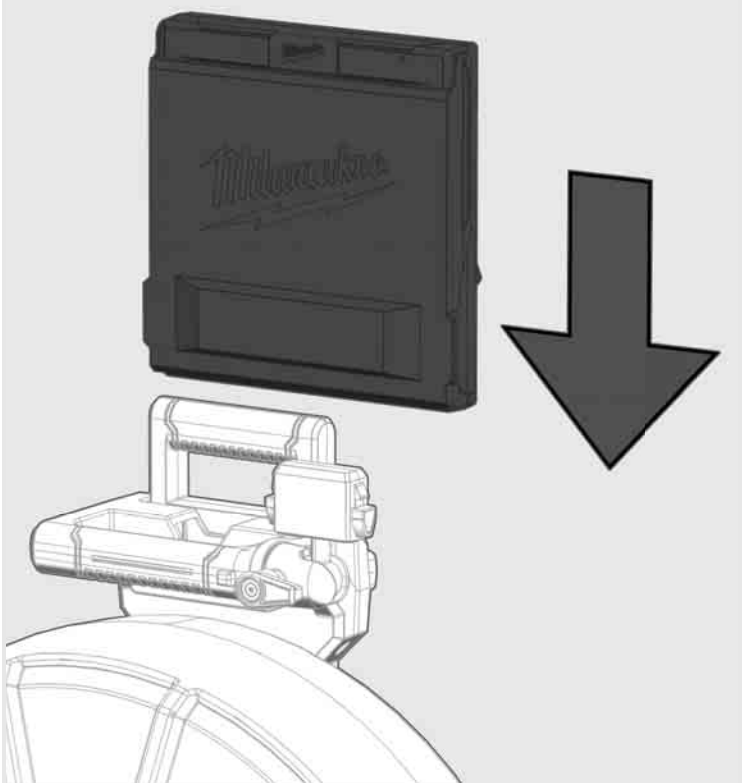


**2**

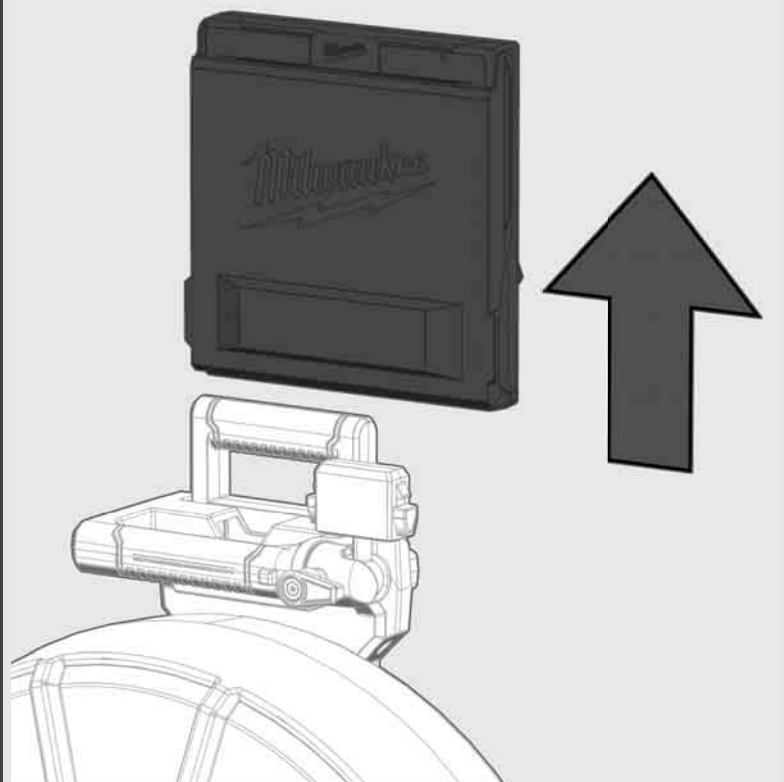
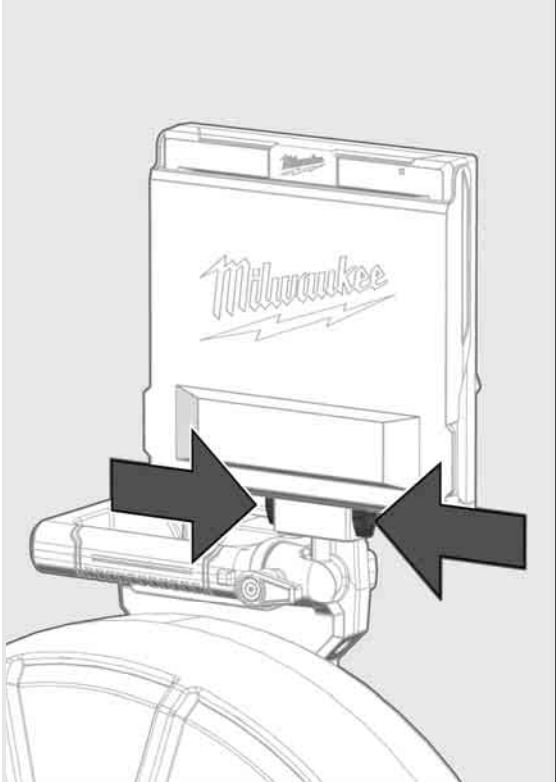


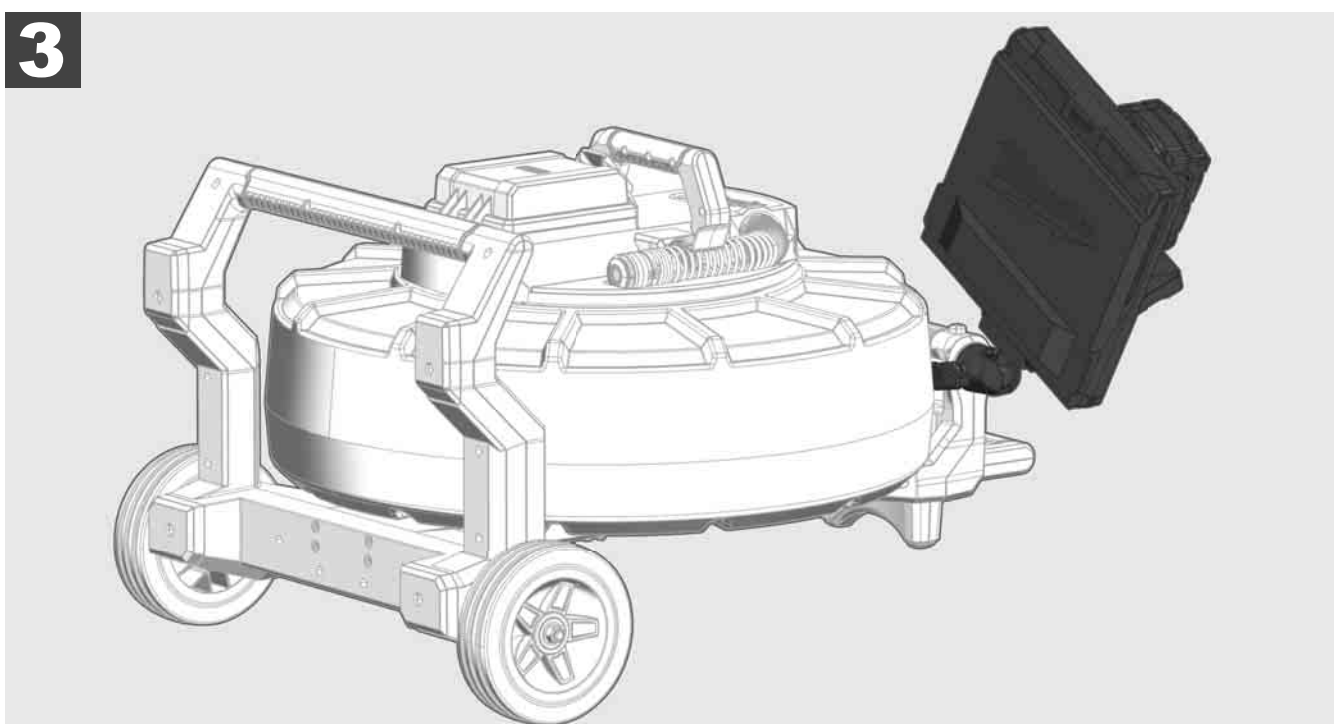
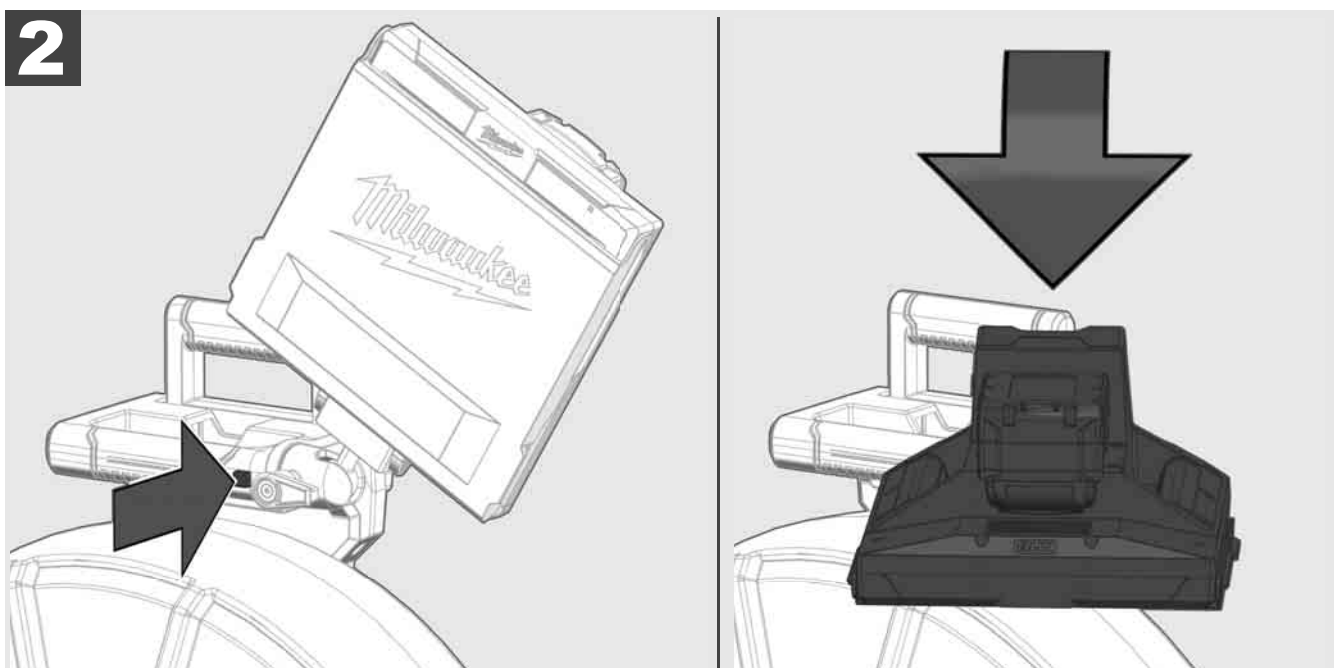
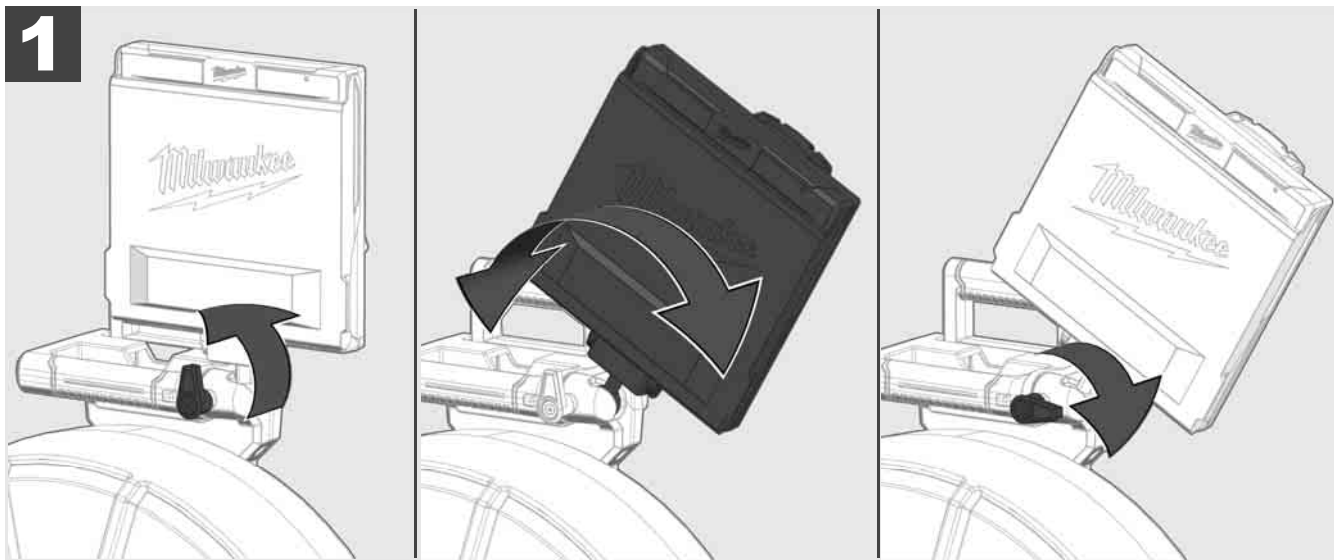


**1**



**2**





### 3.7 Utilização do carretel de inspeção de tubos



Verifique se o cabo de deslize está desgastado - Ao enrolar o cabo, verifique se há cortes, dobras e abrasão. Se o revestimento estiver fortemente desgastado, de forma que é possível ver o tecido de kevlar, o cabo de deslize deve ser substituído. Se um cabo de deslize com revestimento danificado for usado, água e humidade podem penetrar, o que pode danificar a qualidade das imagens tiradas com a câmara ou provocar uma falha da câmara.

A seguinte figura mostra exemplos de revestimentos fortemente danificados. Estes cabos de deslize devem ser trocados, o mais rápido possível.

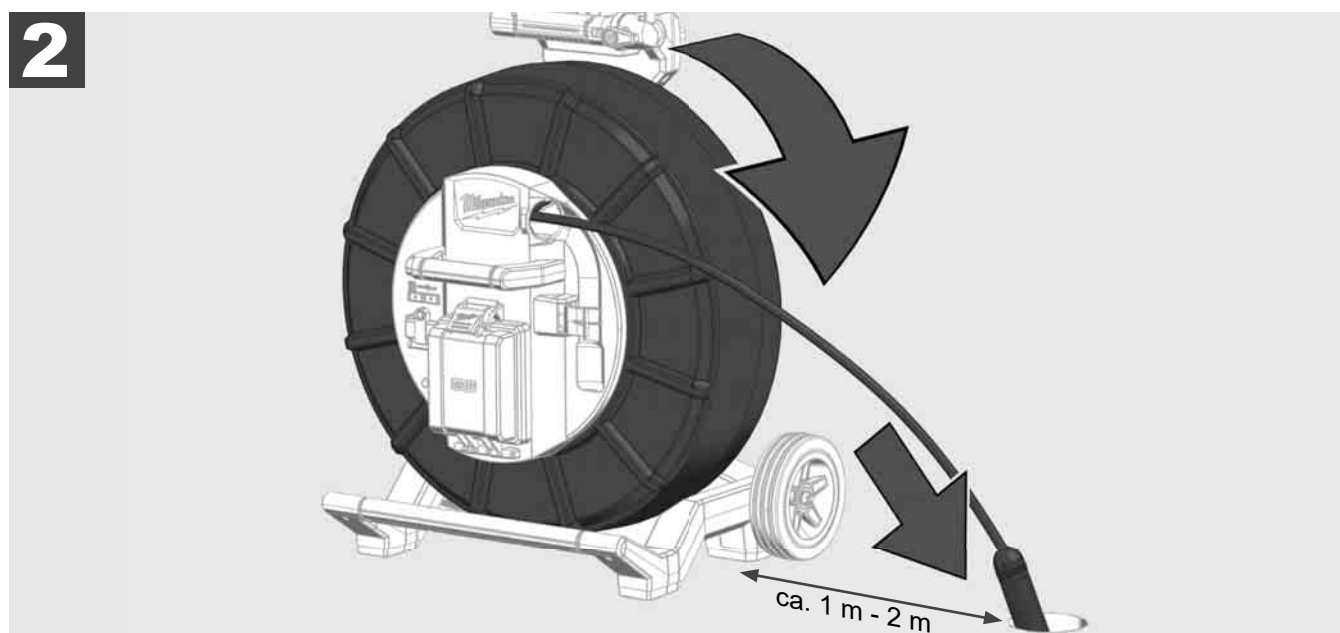
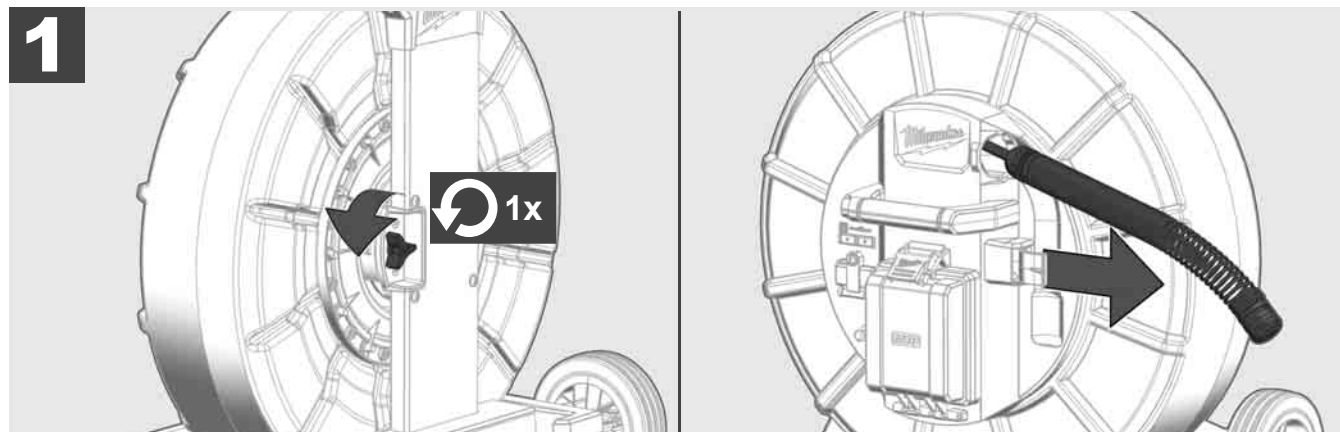


Sempre mantenha o cabo de deslize e o grupo de molas secos e limpos - Sempre limpe o cabo com um pano limpo e seco ao enrolar o cabo. No fim dum dia de trabalho, remova cuidadosamente os resíduos de sujeira da cabeça da câmara e da mola sob água corrente. Sacuda para secar ou sobre ar de baixa pressão para remover a água supérflua e, a seguir, seque as peças. No uso diário, a cabeça da câmara, o cabo de deslize e as peças de conexão estão expostas a substâncias químicas agressivas. A limpeza cuidadosa do sistema prolonga a vida útil destas peças.

Tenha cuidado no manejo do cabo de deslize - Não puxe o cabo de deslize para fora do carretel bloqueado. Caso contrário, o cabo será comprimido no carretel e exposto a esforços excessivos. Se o cabo de deslize for deslizado para o interior do carretel bloqueado, o rolo pode cair ou o cabo pode ser dobrado.

Coloque o carretel num piso nivelado numa distância de cerca de 1 a 2 metros do ponto de entrada. Assim, haverá espaço necessário para manejar o cabo sem que seja arrastado no chão. Eventualmente ative o travão de fricção para desacelerar o movimento do cabo de deslize.

Se o carretel for usado em posição horizontal, a superfície entre os pés é aumentada. Isso proporciona um posição estável ao carretel em terreno acidentado e reduz a sua altura, o que é vantajoso em caso de espaço limitado.





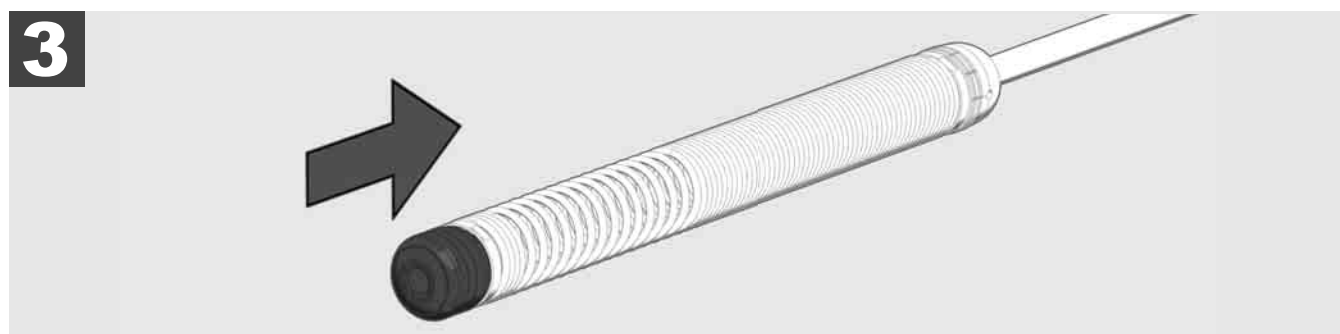
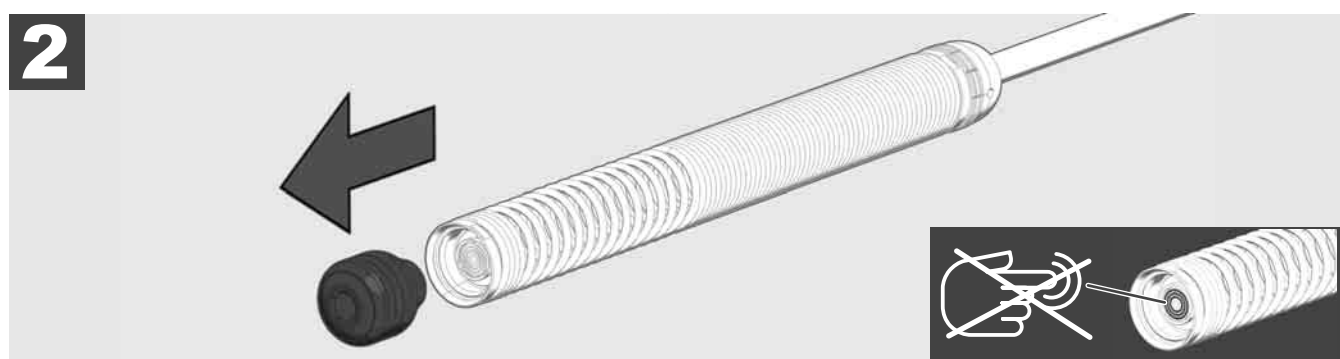
### 3.8 Grupo funcional da cabeça da câmara



Caso possível, não toque com mãos nuas na placa de circuito verde ou nos contatos dourados no grupo de molas e na cabeça da câmara. Caso contrário, a camada de gordura dos dedos transfere-se a estes componentes, o que pode provocar uma corrosão prematura. Caso possível, use luvas de borracha limpas e secas.

Passa um pano e remova os resíduos de sujeira que poderiam cair na área de conexão da câmara depois de remover a cabeça da câmara.

Não aperte demasiadamente e não use força excessiva.



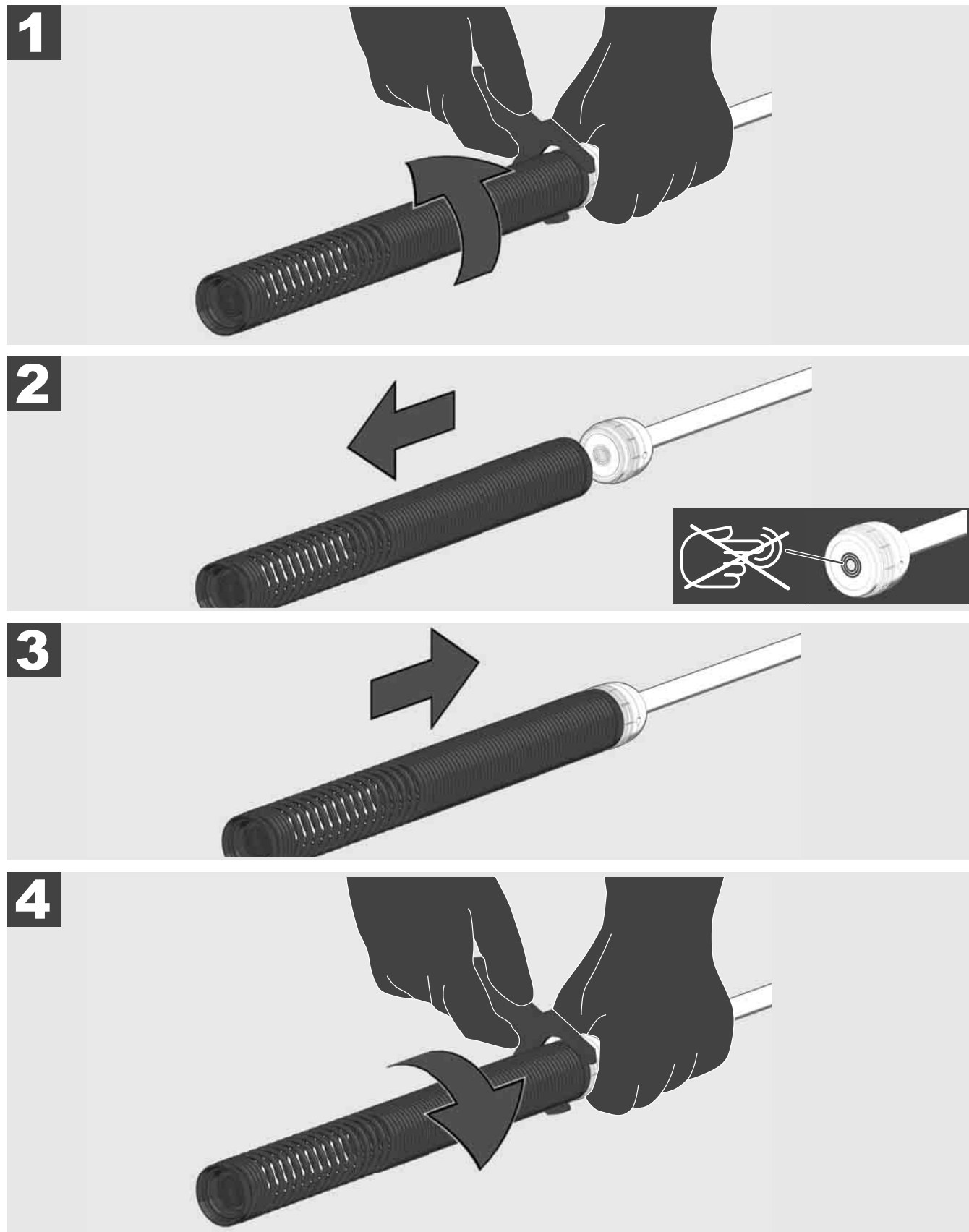
### 3.9 Conjunto de mola



Caso possível, não toque com mãos nuas na placa de circuito verde ou nos contatos dourados no grupo de molas e na cabeça da câmara. Caso contrário, a camada de gordura dos dedos transfere-se a estes componentes, o que pode provocar uma corrosão prematura. Caso possível, use luvas de borracha limpas e secas.

Passa um pano e remova os resíduos de sujeira que poderiam cair na área de conexão da câmara depois de remover a cabeça da câmara.

Não aperte demasiadamente e não use força excessiva.



### 3.10 Cobertura de proteção da câmara

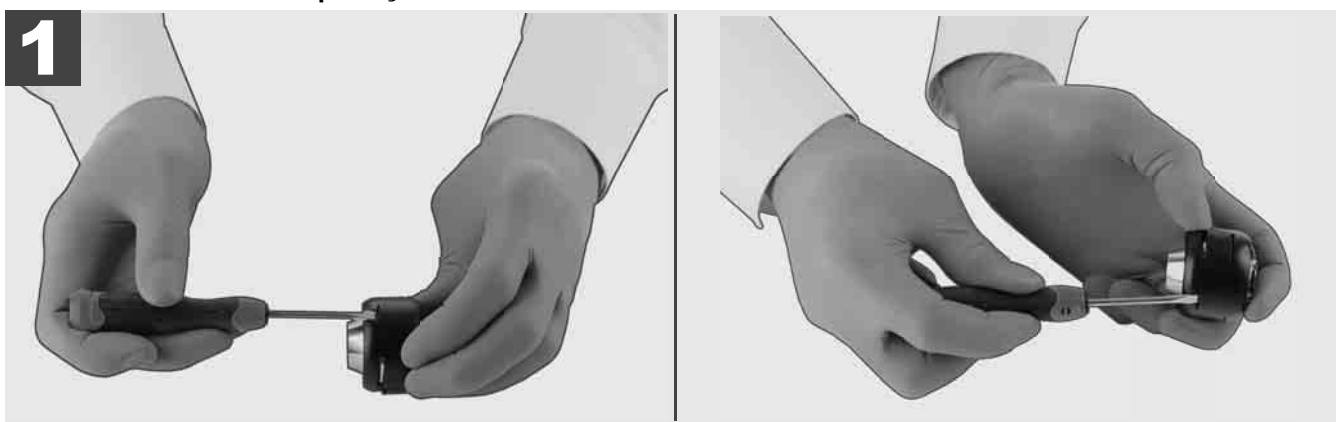


Coberturas de proteção – Adequadas para cabeças da câmara com um diâmetro de 25 mm ou 34 mm. Estas coberturas de proteção são fornecidas com todos os CARRETÉIS DE INSPEÇÃO DE TUBOS ou com cabeças da câmara de reposição.

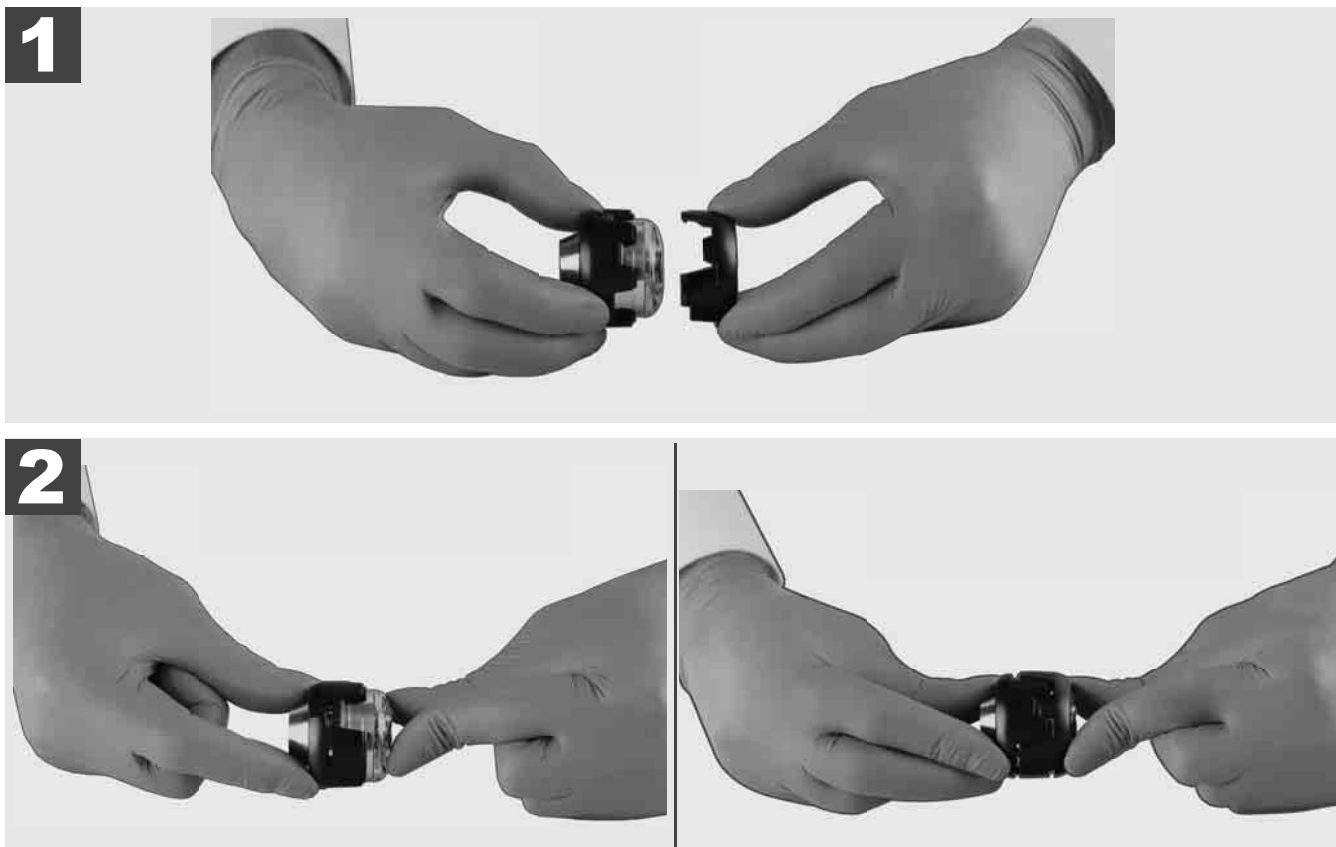
Guias - Elas são colocadas no grupo de molas para que a cabeça da câmara se desloque acima do piso e não entre diretamente em contato com o tubo.



#### Remover a cobertura de proteção



#### Instalar a cobertura de proteção



### 3.11 Guias da câmara



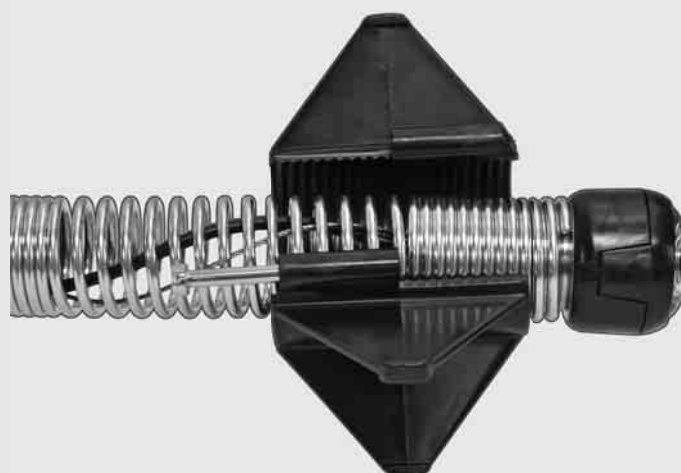
Para cabeças da câmara com uma largura de 25 mm ou 34 mm duas guias estão disponíveis, cada: Uma pequena execução com 75 mm e uma execução média com 100 mm.

Guia da câmara 25 mm

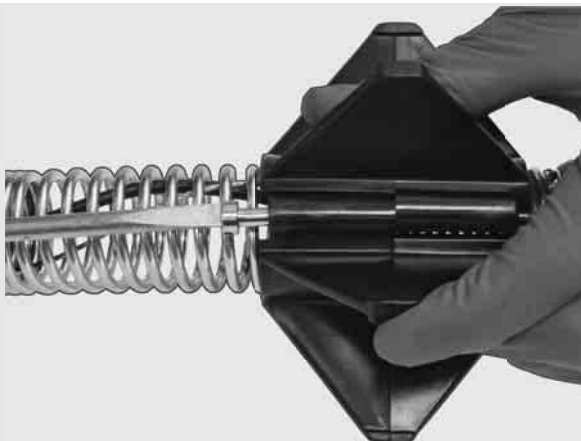
Guia da câmara 34 mm



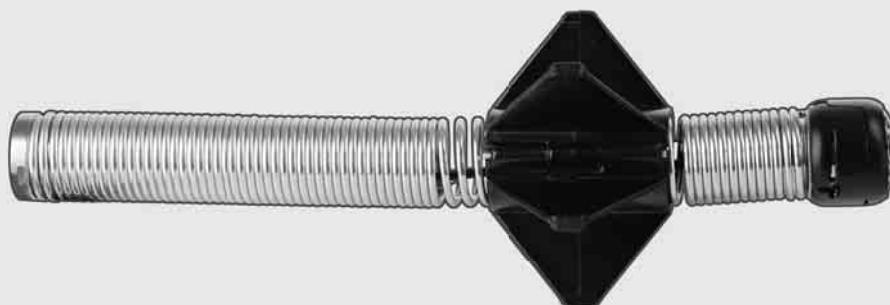
**1**



**2**



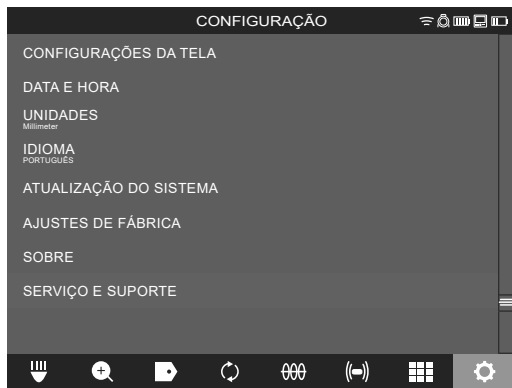
**3**



### 3.12 Serviço e suporte


Se o seu SISTEMA DE INSPEÇÃO DE TUBOS tiver de ser reparado, aceda à página de serviço para ferramentas Milwaukee com todos os números de telefone importantes através de SERVIÇO E SUPORTE.

Selecione **CONFIGURAÇÃO**  → **SERVIÇO E SUPORTE**




**Milwaukee**  
Nothing but **HEAVY DUTY**®

click →



**M18 SIC36**  
**M18 SIC60**  
**M18 SISH**

click →



**M18 SIM**

click

1	Algemene aanwijzingen .....	2
1.1	Bijzondere veiligheidsinstructies voor leidinginspectiesystemen .....	2
1.2	Verdere veiligheids- en werkinstructies .....	2
1.3	Technische gegevens .....	3
1.4	Voorgeschreven gebruik van het systeem .....	3
1.5	Vereisten aan de radiofrequenties m.b.t. Europese installaties .....	3
1.6	EG-Verklaring van overeenstemming .....	4
1.7	ONE-KEY™ .....	4
1.8	Accu's .....	4
1.9	Transport van lithium-ionen-accu's .....	4
1.10	Onderhoud .....	4
1.11	Symbolen .....	5
2	Smart Hub M18 SISH .....	6
2.1	Overzicht Smart Hub M18 SISH .....	6
2.2	Accu plaatsen en verwijderen .....	7
2.3	Acculaadtoestand controleren .....	8
2.4	Smart Hub M18 SISH plaatsen .....	9
2.5	Smart Hub M18 SISH verwijderen .....	10
2.6	Aan-/uitschakelaar .....	11
2.7	Monitor aansluiten .....	12
2.8	USB-poorten .....	13
2.9	Aardingsstok .....	14
2.10	Teller van de kabellengte terugzetten .....	15
2.11	Testaansluiting camera .....	16
2.12	Intern station en USB-stick formatteren .....	17
2.13	Fabrieksinstellingen .....	18
2.14	Systeemupdate .....	19
3	LEIDINGINSPECTIETROMMELS .....	21
3.1	Overzicht van de leidinginspectietrommel M18 SIC36 .....	21
3.2	Overzicht van de leidinginspectietrommel M18 SIC60 .....	22
3.3	Draagvoorziening installeren .....	23
3.4	Draagvoorziening verwijderen .....	24
3.5	Draadloze monitor M18 SIM installeren .....	25
3.6	Draadloze monitor M18 SIM instellen .....	26
3.7	Gebruik van de leidinginspectietrommel .....	27
3.8	Cameramodule .....	28
3.9	Veermodule .....	29
3.10	Veiligheidsafdekking van de camera .....	30
3.11	Cameraleidingen .....	31
3.12	Service en support .....	32

# 1 ALGEMENE AANWIJZINGEN

## 1.1 Bijzondere veiligheidsinstructies voor leidinginspectiesystemen

Bij werkzaamheden in buizen moet worden gewaarborgd dat deze niet onder spanning staan of elektrisch geladen zijn. De buizen mogen geen vloeistof bevatten. De camera en het apparaat mogen niet in contact komen met vloeistof.

De camera en de kabel mogen niet in contact komen met olie, gas of andere corrosieve materialen.

Controleer vóór alle werkzaamheden eerst het werkbereik om het risico voor explosies, elektrische schokken en materiële schade te voorkomen. De kabel mag niet in contact komen met elektrische componenten, chemicaliën of bewegende delen.

Voorkom het risico voor schade aan het apparaat, oefen niet te veel kracht uit en knik de kabel niet. Gebruik de inspectiecamera en de kabel niet in bereiken waar deze met bijtende of olieachtige substanties in contact zouden kunnen komen.

Gebruik de kabel niet om verstoppingen of hindernissen te verwijderen. Dit apparaat is geen leidingreiniger!

Als de te reinigen afvoerleiding chemicaliën, bacteriën of andere toxische substanties resp. ziektekiemen zou kunnen bevatten, dient u onder de door de fabrikant aanbevolen veiligheidshandschoenen nog latex- of rubberhandschoenen en bovendien een veiligheidsbril, gezichtsbescherming, veiligheidskleding en een ademhalingsmasker te dragen. Buisleidingen kunnen chemicaliën, bacteriën of andere substanties bevatten die toxisch of ziekteverwekkend zijn en bijtewonden of ander ernstig letsel kunnen veroorzaken.

Neem de hygiënevoorschriften in acht. Eet en rook niet terwijl u met het apparaat werkt. Na de omgang met of het gebruik van het leidinginspectiesysteem dient u uw handen en andere lichaamsdelen die met de inhoud van de leiding in contact zijn gekomen, altijd te wassen met warm water en zeep. Zo vermijdt u gezondheidsrisico's op grond van contact met toxische of ziekteverwekkende stoffen.

Controleer de kabel vóór het gebruik op slijtagesporen en schade. Vervang een versleten of beschadigde kabel vóór het gebruik van het apparaat.

**VOORZICHTIG!** Wees voorzichtig als u het leidinginspectiesysteem met behulp van de draagvoorziening op uw rug draagt. Het is mogelijk dat u uit balans raakt.

Gebruik het apparaat altijd voorzichtig en met overleg. Het is onmogelijk om alle gevaren te voorzien. Gebruik dit apparaat niet als u de onderhavige handleiding niet begrijpt of het gevoel hebt dat u het werk niet aankunt. Neem voor meer informatie of scholingen contact op met Milwaukee of een gekwalificeerde vakman.

Etiketten en typeplaatjes mogen niet worden verwijderd. Deze plaatjes bevatten belangrijke informatie. Als deze informatieplaatjes niet meer leesbaar zijn of ontbreken, kunt u voor kosteloze vervanging contact opnemen met de technische dienst van MILWAUKEE.

Bepaalde door slijp-, schuur- en boormachines of bouwactiviteiten veroorzaakte stoffen kunnen chemische substanties bevatten die kankerverwekkend zijn, tot geboortefwijkingen leiden of schadelijk zijn voor de vruchtbaarheid. Voorbeelden van dit soort chemische substanties zijn:

- lood uit loodhoudende verven,
- kristallijn siliciumdioxide uit bakstenen, cement of andere metselwerkproducten evenals
- arseen of chroom uit chemisch behandeld bouw hout.

Het risico van blootstelling hangt ervan af, hoe vaak u dit soort werkzaamheden verricht. Werk altijd in goed geventileerde ruimten om het risico van blootstelling tot een minimum te beperken. Draag officieel goedgekeurde beschermingsmiddelen, zoals stofmaskers met micropartikelfilters.

## 1.2 Verdere veiligheids- en werkinstructies

Vervang de accu niet als het oppervlak van het gereedschap nat is.

Gooi verbruikte accu's niet in het vuur of bij het huisvuil. Milwaukee biedt namelijk een milieuvriendelijke recyclingmethode aan voor uw oude accu's.

Bewaar accu's niet bij metalen voorwerpen (kortsluitingsgevaar!).

Laad accu's van het systeem M18 alléén met laadtoestellen van het systeem M18 laden. Laad geen accu's van andere systemen.

Onder extreme belasting of extreme temperaturen kan uit de accu accu-vloeistof vrijkomen. Spoel de huid na contact met accu-vloeistof direct met water en zeep. Spoel uw ogen bij oogcontact direct minstens 10 minuten grondig en raadpleeg onmiddellijk een arts.

**Waarschuwing!** Voorkom brand, persoonlijk letsel of materiële schade door kortsluiting en dompel het apparaat, de accu en het laadtoestel niet onder in vloeistoffen en waarborg dat geen vloeistoffen kunnen binnendringen.

Corrosieve of geleidende vloeistoffen zoals zout water, bepaalde chemicaliën, bleekmiddelen of producten die bleekmiddelen bevatten, kunnen een kortsluiting veroorzaken.

Dit apparaat mag niet door personen gereinigd of bediend worden die over verminderde lichamelijke, sensorische of geestelijke vermogens resp. gebrekkige ervaring of kennis beschikken, tenzij ze door een wettelijk voor hun veiligheid verantwoordelijke persoon werden geïnstrueerd in de veilige omgang met het apparaat. De hierboven genoemde personen mogen het apparaat alleen onder toezicht gebruiken. Dit apparaat hoort niet thuis in kinderhanden. Als het apparaat niet gebruikt wordt, moet het dan ook buiten de reikwijdte van kinderen worden bewaard.

### 1.3 Technische gegevens

	M18 SIC36	M18 SIC60	M18 SISH
Kabellengte van de camera .....	36 m.....	60 m.....	
Camerakop.....	ø 25 mm.....	ø 34 mm.....	
Max. vergroting .....	4x .....	4x.....	
Accuspanning.....			18 V
Gewicht volgens de EPTA-procedure 01/2014 (4.0 Ah / 12 Ah) .....	12,4 kg .....	20,46 kg.....	5,37 kg
Bluetooth-frequentieband (frequentiebanden) .....			2402-2480 MHz
Hoogfrequent vermogen .....			1,8 dBm
Bluetooth-versie .....			4.0 BT signaalmodus
Aanbevolen omgevingstemperatuur tijdens het werken .....	-18 .....	+50 °C	
Aanbevolen accutypes .....		M18B....; M18HB....	
Aanbevolen laadtoestellen .....		M12-18C, M12-18AC, M12-18FC, M1418C6	

### 1.4 Voorgeschreven gebruik van het systeem

Het leidinginspectiesysteem is bedoeld voor het onderzoek en de inspectie van buisleidingen. Het systeem bestaat uit drie modules:

#### - Leidinginspectietrommel M18 SIC36 of M18 SIC60

De leidinginspectietrommel is bedoeld voor het op- en afrollen en voor de besturing van de duwkabel. De trommels zijn verkrijgbaar in twee maten: M18SIC36 voor leidingen met een diameter van 50 mm tot 150 mm en het grotere model M18SIC60 voor leidingen met een diameter van 75 mm tot 250 mm.

Beide trommels bevatten een duwkabel met veermodule waarop de zelfnivellerende camerakop gemonteerd is. De draadloze monitor M18 SIM en de Smart Hub M18 SISH kunnen met beide trommels worden gebruikt.

Beide trommels kunnen zowel verticaal al horizontaal worden ingezet. Op de achterkant van de M18 SIC36 kan een draagvoorziening worden bevestigd, zodat het apparaat op de rug kan worden gedragen.

#### - Smart Hub M18 SISH

De Smart Hub M18 SISH is bedoeld als besturing voor het leidinginspectiesysteem.

De draadloze monitor M18 SIM of de tablet waarop de Milwaukee® leidinginspectie-app geïnstalleerd is, maakt een verbinding met de Smart Hub M18 SISH om de video-opnames en foto's te ontvangen. Zowel video's als foto's worden op het interne station van de Smart Hub M18 SISH opgeslagen.

#### - Draadloze monitor M18 SIM (niet bij de levering inbegrepen; is apart verkrijgbaar)

Via de draadloze monitor M18 SIM kunnen video's en foto's opgenomen, de door de camerakop opgenomen video's bekeken en video- en fotobestanden afgespeeld worden. Tijdens de video-opname kunnen via de interne microfoon ingesproken commentaren worden opgenomen. Via de functie 'Labels' kunnen ook commentaarteksten worden toegevoegd. De commentaarteksten worden in de opgenomen video weergegeven en verschijnen samen met datum, tijd en afgerolde kabellengte op de foto's.

Gebruik dit apparaat uitsluitend voor het beschreven doel.

### 1.5 Vereisten aan de radiofrequenties m.b.t. Europese installaties

Opmerking: dit apparaat werd getest en houdt de grenswaarden van een ontvanger van categorie 3 overeenkomstig EN 300 440 V2.1.1 aan.

Deze grenswaarden moeten een redelijke bescherming tegen radiografische storingen in woongebouwen waarborgen.

Dit apparaat reageert op andere apparaten die radiogolven binnen het frequentiebereik van 2402 tot 2480 MHz uitstralen. Hierdoor kunnen storingen optreden bij het gebruik van de afstandsbediening. Het kan niet worden uitgesloten dat onder bepaalde omstandigheden storingen optreden. Om vast te kunnen stellen of dit apparaat door de radiosignalen van andere apparaten gestoord wordt, schakelt u de andere apparaten even uit om te controleren of de storingen dan verdwijnen. Met de volgende maatregelen kunnen storingen worden verholpen:

- De storingsbron uitschakelen.
- De afstand naar de storingsbron verhogen.



- Een vakhandelaar of een gekwalificeerde radiotechnicus raadplegen.

## 1.6 EG-Verklaring van overeenstemming

Hierbij verklaar ik, Techtronic Industries GmbH, dat het type radioapparatuur M18SISH overeenstemt met de richtlijn 2014/53/EU. De volledige tekst van de EG-verklaring van overeenstemming kan worden geraadpleegd op het volgende internetadres: <http://services.milwaukeeetool.eu>

## 1.7 ONE-KEY™

Lees de bijgeleverde snelstartgids of kijk op onze website onder [www.milwaukeeetool.com/one-key](http://www.milwaukeeetool.com/one-key) voor meer informatie over de ONE-KEY-functie van dit apparaat. U kunt de ONE-KEY app op uw smartphone downloaden via de App Store of Google Play.

In geval van elektrostatische ontladingen wordt de bluetooth-verbinding onderbroken. Breng in dat geval de verbinding handmatig weer tot stand.

Het apparaat voldoet aan de minimumeisen volgens EN 55014-2:2015 / EN 301489-1 V2.2.3 / EN 301489-17 V3.1.1.

### ONE-KEY™-indicator

Blauw licht: draadloze verbinding is actief en kan via de ONE-KEY™-app worden ingesteld.

Blauw knipperlicht: apparaat communiceert met de ONE-KEY™-app.

Rood knipperlicht: apparaat werd om veiligheidsredenen geblokkeerd en kan door de bediener worden gedeblokkeerd via de ONE-KEY™-app.

## 1.8 Accu's

Langere tijd niet toegepaste accu's moeten vóór gebruik altijd worden bijgeladen.

Een temperatuur boven de 50 °C vermindert de capaciteit van de accu. Vermijd langdurige verwarming door zon of hitte.

Houd de aansluitcontacten aan het laadtoestel en de accu schoon.

Voor een optimale levensduur moet de accu na het gebruik volledig worden opgeladen.

Voor een zo lang mogelijke levensduur van de accu moet deze na het opladen uit het laadtoestel worden verwijderd.

Bij een langere opslag van de accu dan 30 dagen:

accu bij een temperatuur van minder dan 27 °C en droog bewaren.

accu bij een laadtoestand van ca. 30 % - 50 % bewaren.

accu om de 6 maanden opnieuw opladen.

## 1.9 Transport van lithium-ionen-accu's

Lithium-ionen-accu's vallen onder de wettelijke bepalingen inzake het transport van gevaarlijke goederen.

Voor het transport van deze accu's moeten de lokale, nationale en internationale voorschriften en bepalingen in acht worden genomen.

- Verbruikers mogen deze accu's zonder meer over de weg transporteren.
- Het commerciële transport van lithium-ionen-accu's door expeditiebedrijven is onderhevig aan de bepalingen inzake het transport van gevaarlijke goederen. De verzendingsvoorbereidingen en het transport mogen uitsluitend worden uitgevoerd door dienovereenkomstig opgeleide personen. Het complete proces moet deskundig worden begeleid.

Onderstaande punten moeten bij het transport van accu's in acht worden genomen:

- Waarborg ter vermindering van kortsluitingen dat de contacten beschermd en geïsoleerd zijn.
- Let op dat de accu niet in de verpakking kan verschuiven.
- Beschadigde of lekkende accu's mogen niet worden getransporteerd.

Neem voor meer informatie contact op met uw expeditiebedrijf.

## 1.10 Onderhoud

Gebruik alleen Milwaukee-toebehoren en -onderdelen. Onderdelen die niet vermeld worden, kunnen het best door de Milwaukee servicedienst vervanging worden (zie ook de brochure Garantie/klantenserviceadressen).

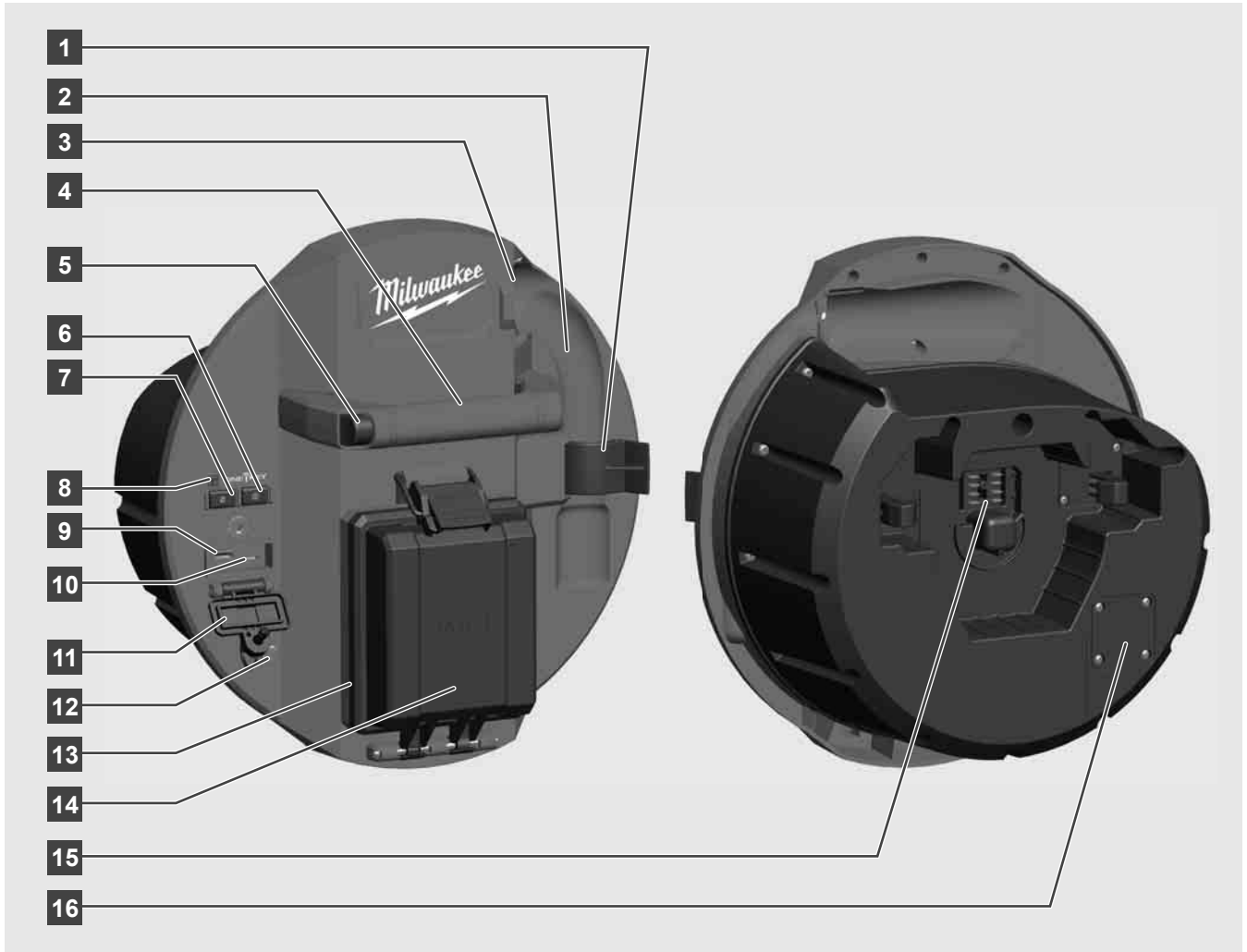
Zo nodig kan een explosietekening van het apparaat worden aangevraagd bij uw klantenservice of direct bij Techtronic Industries GmbH, Max-Eyth-Straße 10, 71364 Winnenden, Duitsland onder vermelding van het apparaattype en het zescijferige nummer op het typeplaatje.

## 1.11 Symbolen

	OPGELET! WAARSCHUWING! GEVAAR!
	Voor alle werkzaamheden aan het apparaat moet de accu worden verwijderd.
	Lees de instructies zorgvuldig door voordat u het apparaat in gebruik neemt.
	Draag veiligheidshandschoenen!
	Draag bij het werken met het apparaat altijd een veiligheidsbril.
	Elektrische apparaten, batterijen en accu's mogen niet via het huisafval worden afgevoerd. Elektrische apparaten en accu's moeten gescheiden worden verzameld en voor een milieuvriendelijke afvoer worden afgegeven bij een recyclingbedrijf. Informeer bij uw gemeente of bij uw vakhandelaar naar recyclingbedrijven en inzamelpunten.
	Spanning
	Gelijkstroom
	Europees symbool van overeenstemming
	Britse conformiteitsmarkering
	Oekraïens symbool van overeenstemming
	Euro-Aziatisch symbool van overeenstemming

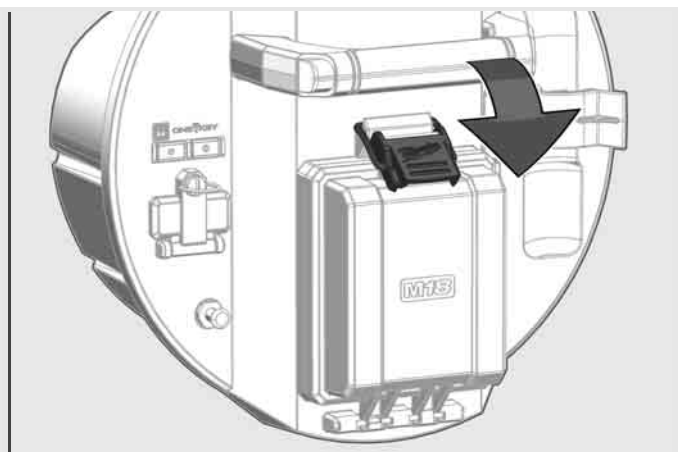
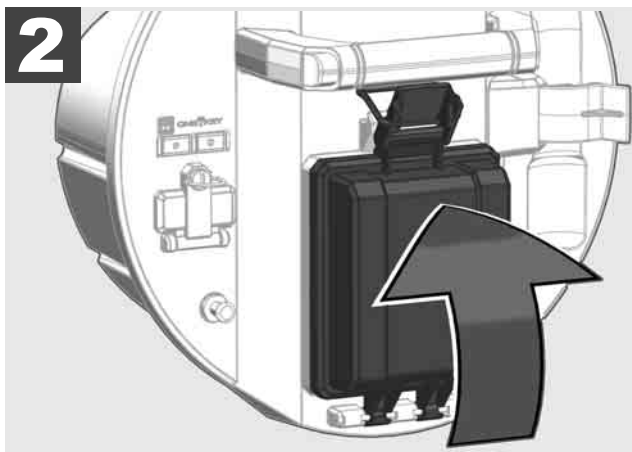
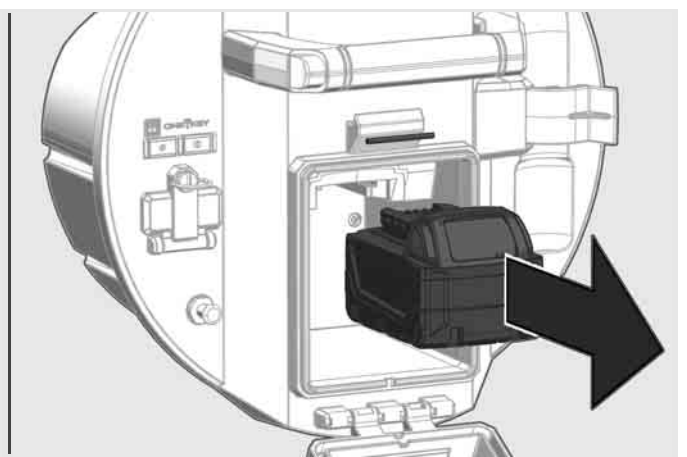
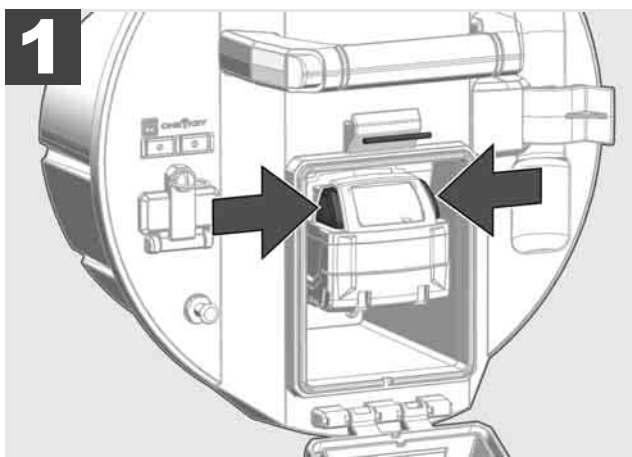
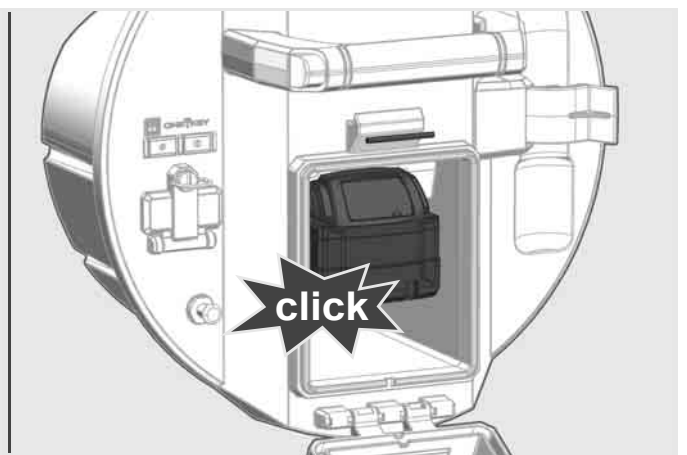
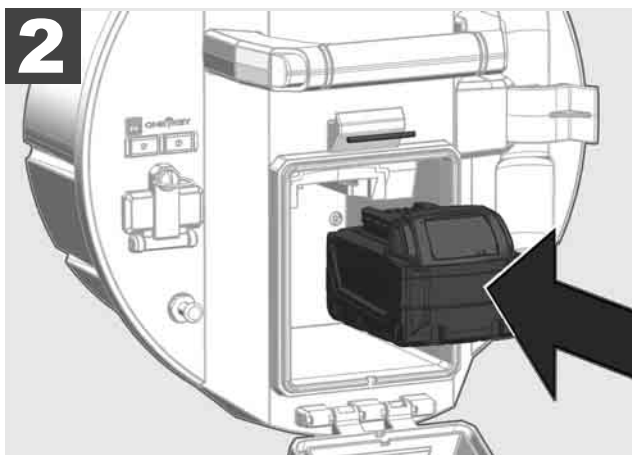
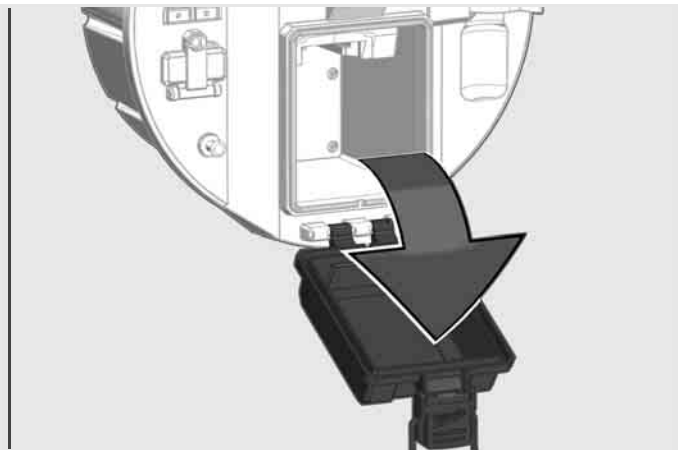
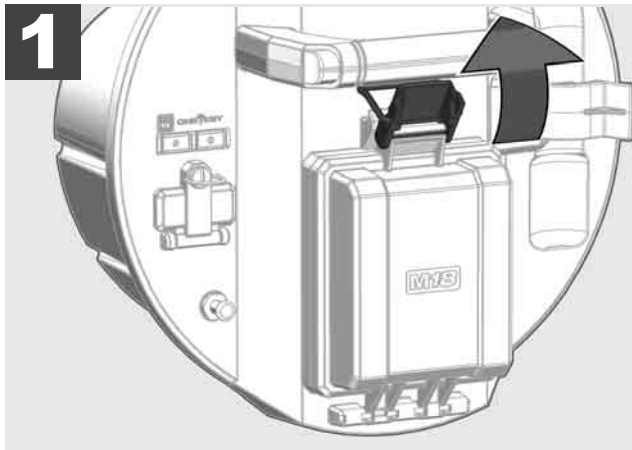
## 2 SMART HUB M18 SISH

### 2.1 Overzicht Smart Hub M18 SISH

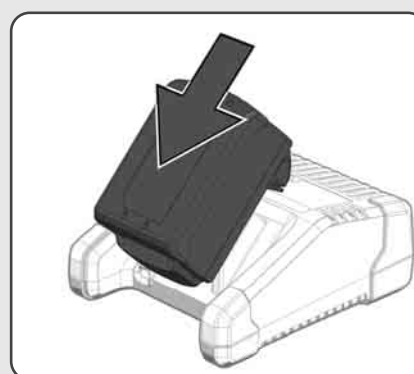


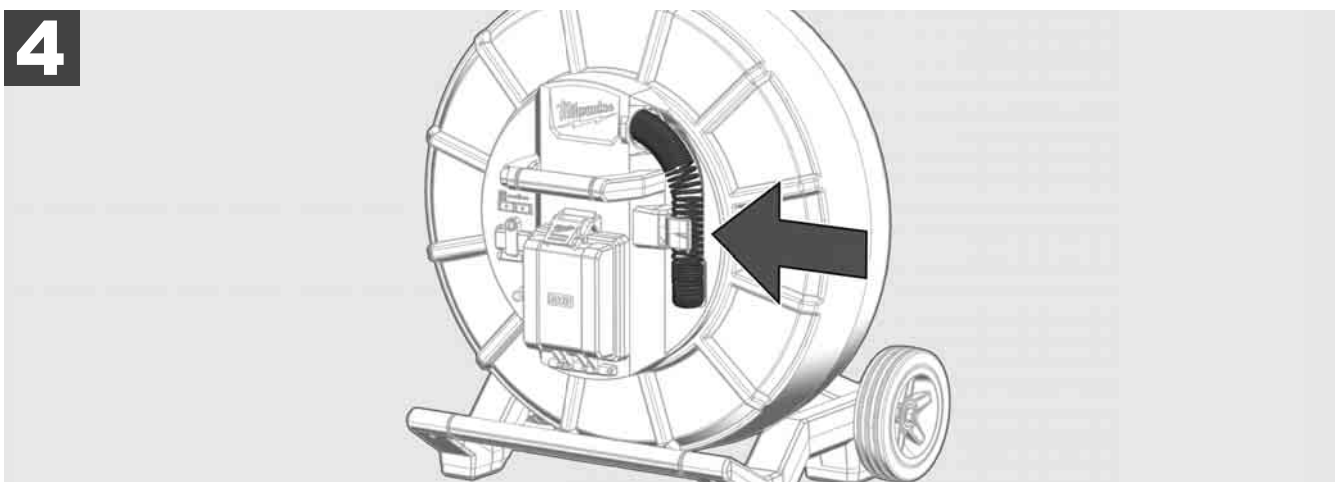
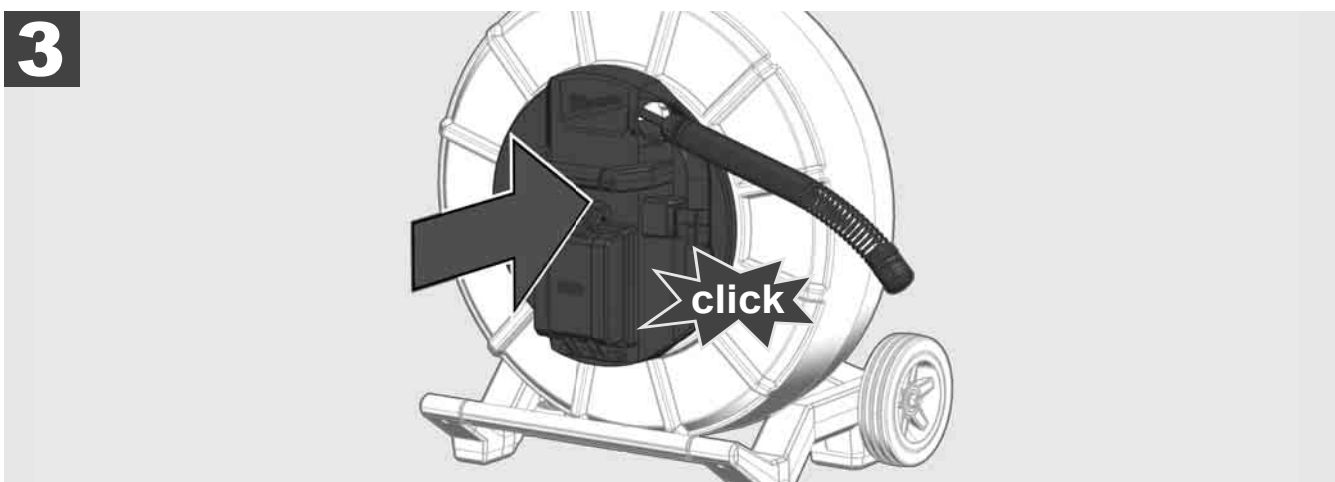
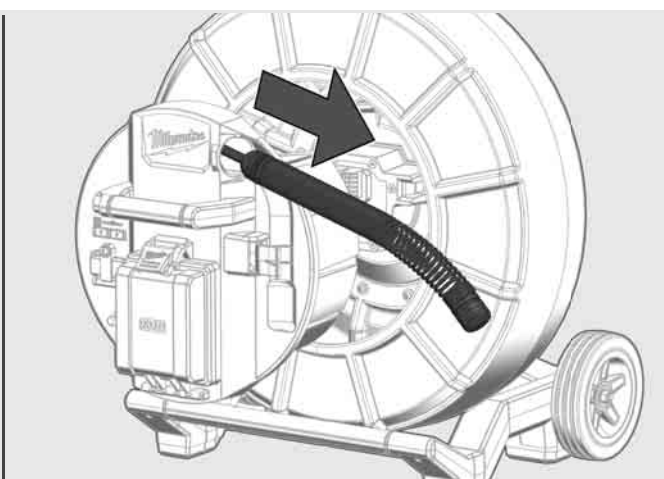
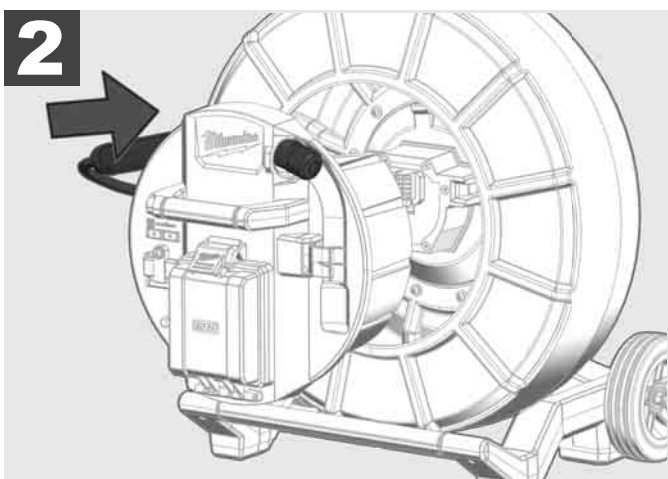
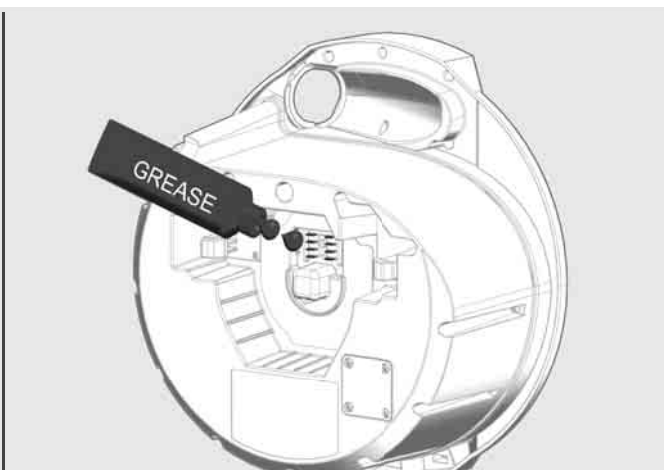
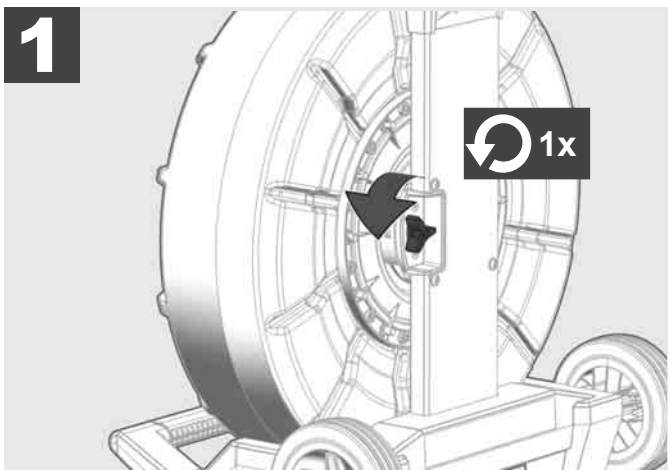
- 1 Veerclip – voor de borging van veer en camera tijdens het transport.
- 2 Veerhouder – houdt de veer en de camera tijdens het transport en de opslag op hun plaats.
- 3 Kabelgeleiding – vóór de plaatsing van de Smart Hub moeten de veer en de duwkabel door de geleiding worden gestoken.
- 4 Handgreep
- 5 Ontgrendelingstoets – druk deze toets in om de Smart Hub van de leidinginspectietrommel los te halen.
- 6 Hoofdschakelaar – één keer indrukken om het apparaat in te schakelen; ingedrukt houden om het apparaat uit te schakelen.
- 7 Toets Kabellengte terugzetten – zet de kabellengte van de afgerolde kabel naar nul.
- 8 ONE-KEY-LED-indicator
- 9 USB-A-poort – voor het directe opslaan van video's en foto's en voor de firmware-updates.
- 10 USB-C-poort – optionele verzorgings- en data-aansluiting voor de verbinding van de draadloze monitor M18 SIM met de Smart Hub.
- 11 Afdekking voor de USB-aansluiting – waterdichte afdekking die de USB-aansluitingen beschermt tegen stof en vocht.
- 12 Aardingsstok – voor de aarding van de Smart Hub bij het traceren van de duwkabel.
- 13 Afdekking voor de accu – waterdichte afdekking die de accu beschermt tegen stof en vocht.
- 14 Accuvak – voor M18™-accu
- 15 Aansluiting voor de verbinding van de Smart Hub en de leidinginspectietrommel.
- 16 Testaansluiting camera – voor het verhelpen van storingen bij problemen met de camerakop

## 2.2 Accu plaatsen en verwijderen



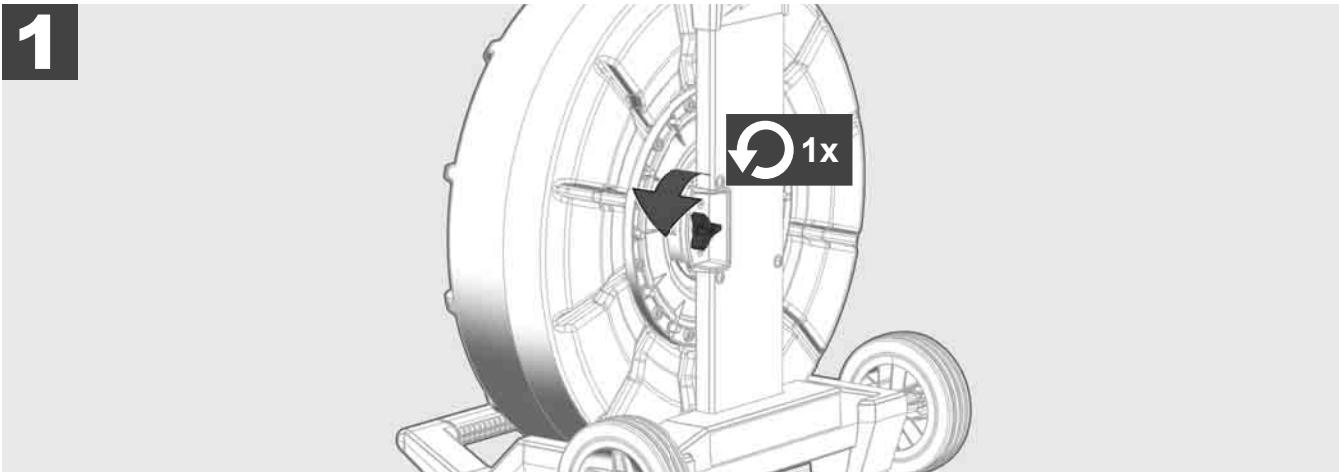
## 2.3 Acculaadtoestand controleren



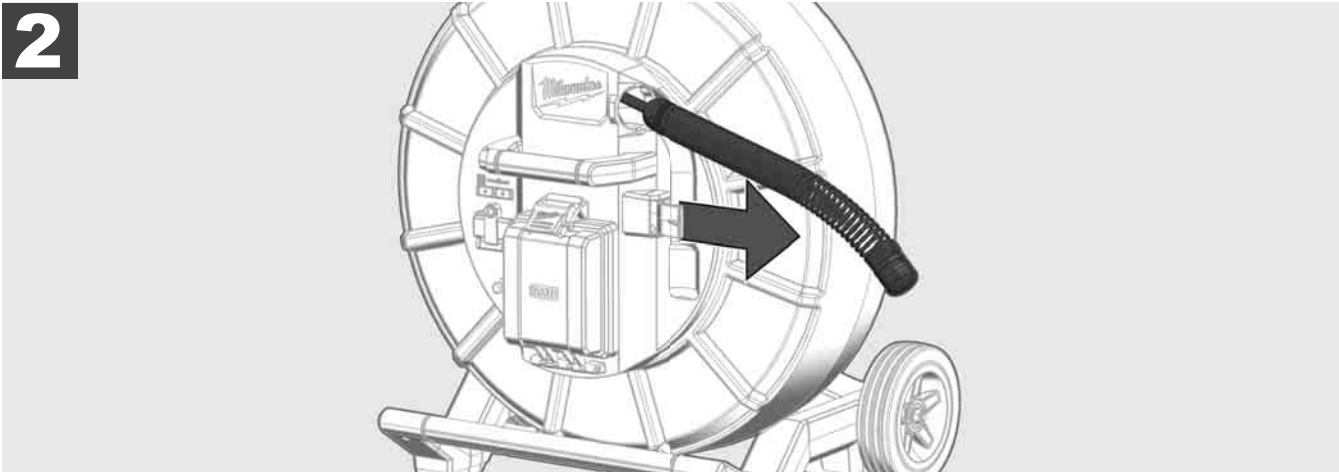




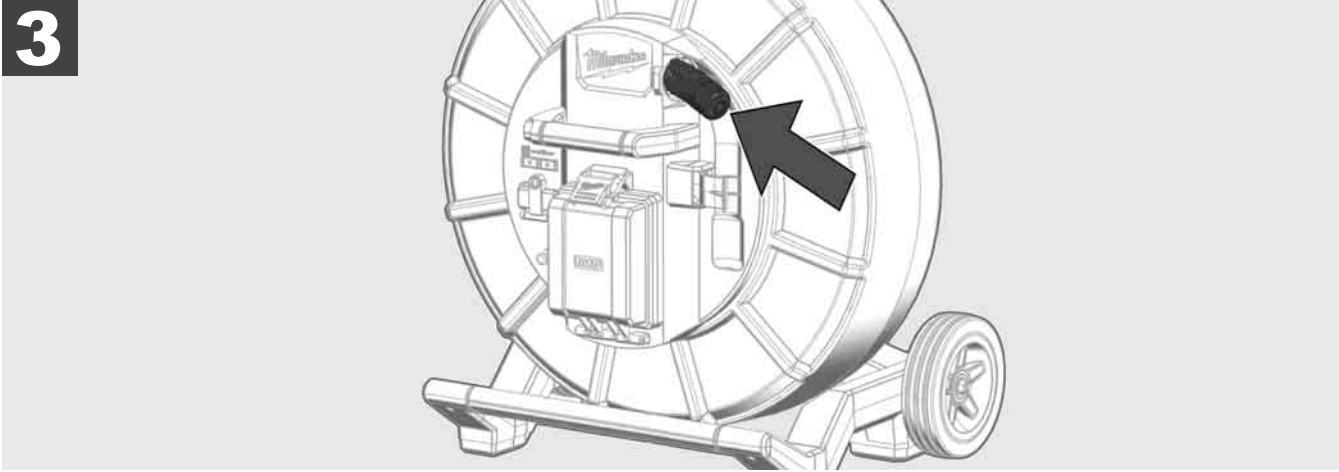
**1**



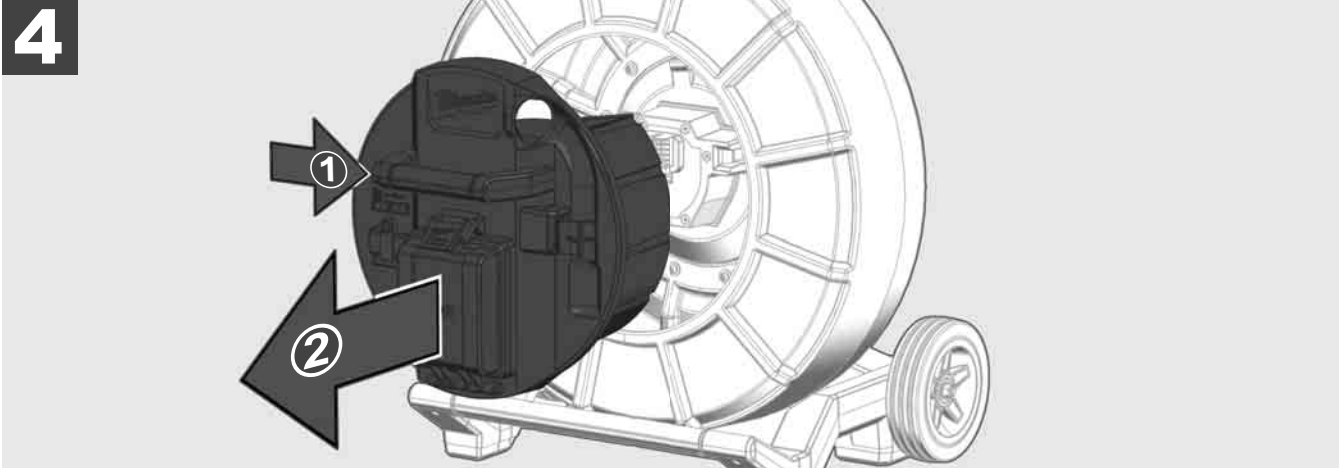
**2**



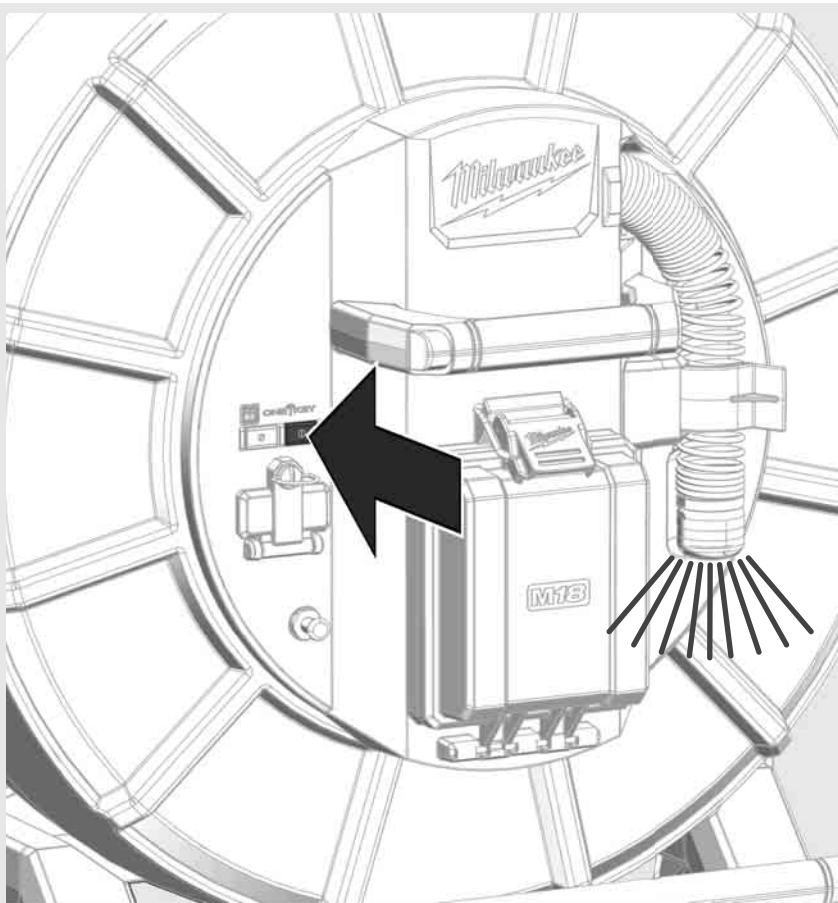
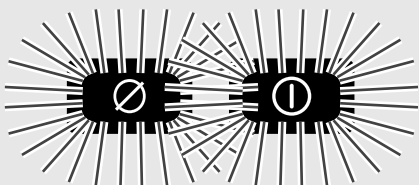
**3**



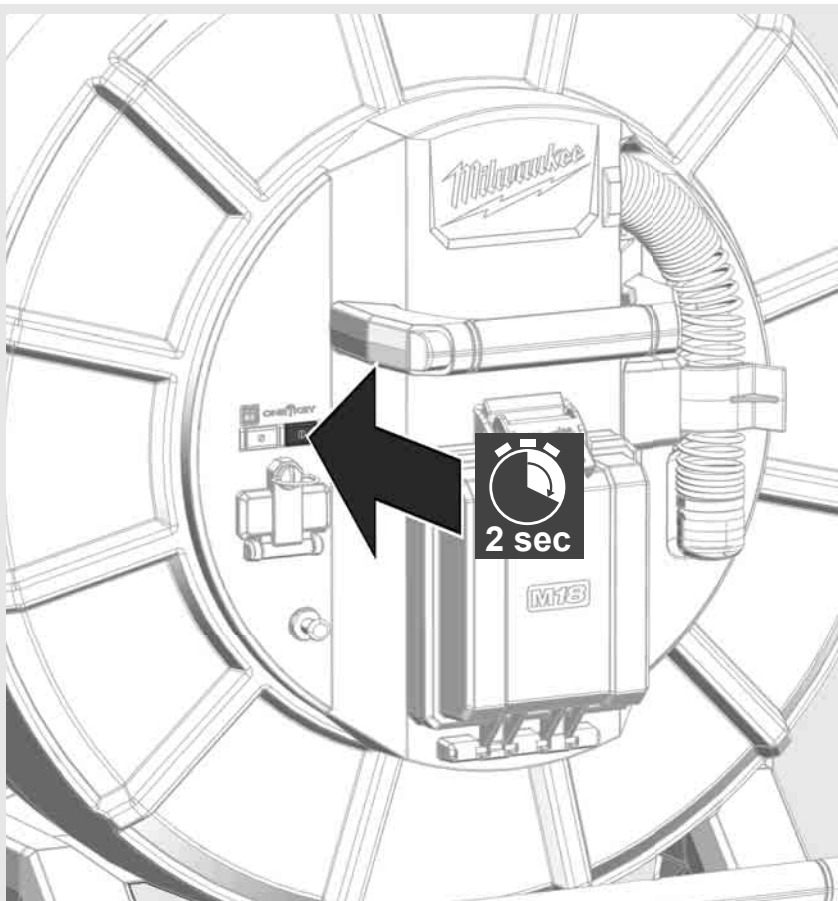
**4**



# ON



# OFF





## 2.7 Monitor aansluiten

Om de instellingen van het LEIDINGINSPECTIESYSTEEM te wijzigen, de functies te besturen en de met de camera opgenomen foto's en video's weer te geven, is een extern weergaveapparaat vereist.

Dit externe weergaveapparaat is niet bij de levering van het LEIDINGINSPECTIESYSTEEM inbegrepen en moet apart worden gekocht.

De volgende opties staan ter beschikking:

- MILWAUKEE DRAADLOZE MONITOR M18 SIM
- Tablet of smartphone met de MILWAUKEE LEIDINGINSPECTIE-APP

De DRAADLOZE MONITOR wordt per WIFI of USB-poort op het LEIDINGINSPECTIESYSTEEM aangesloten en is direct klaar voor gebruik. Bij het gebruik van een tablet of smartphone moet eerst de MILWAUKEE LEIDINGINSPECTIE-APP op het betreffende toestel worden geïnstalleerd.

### **EERSTE GEBRUIK MET DRAADLOZE MONITOR M18 SIM:**

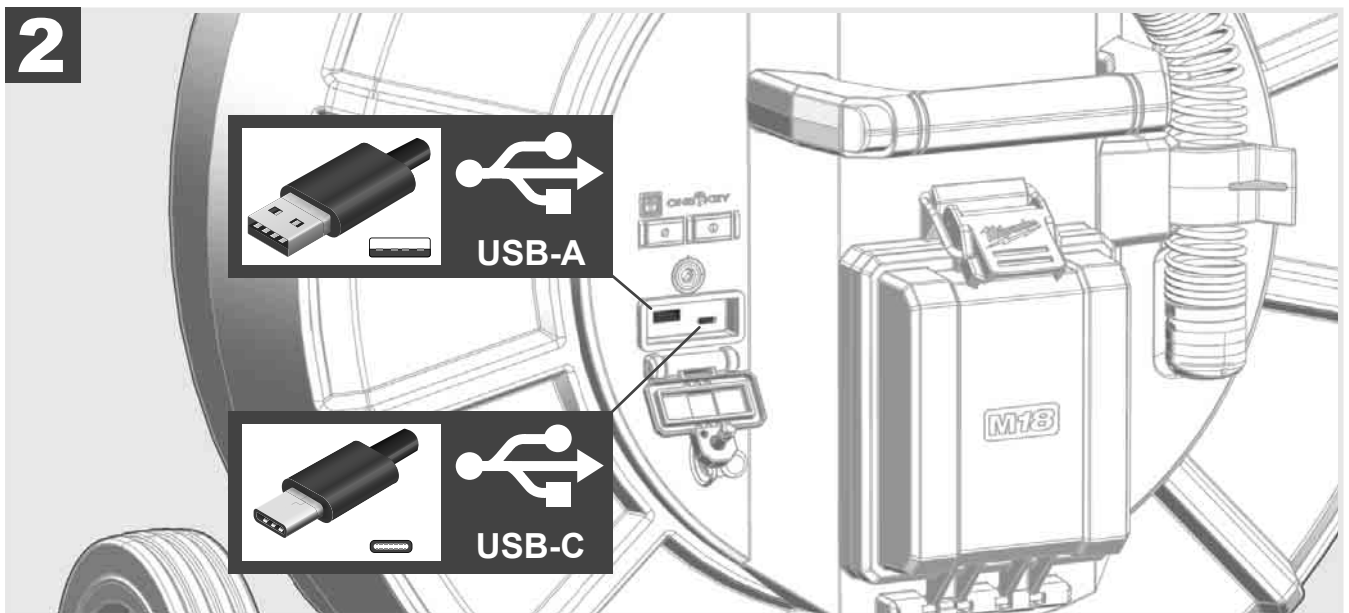
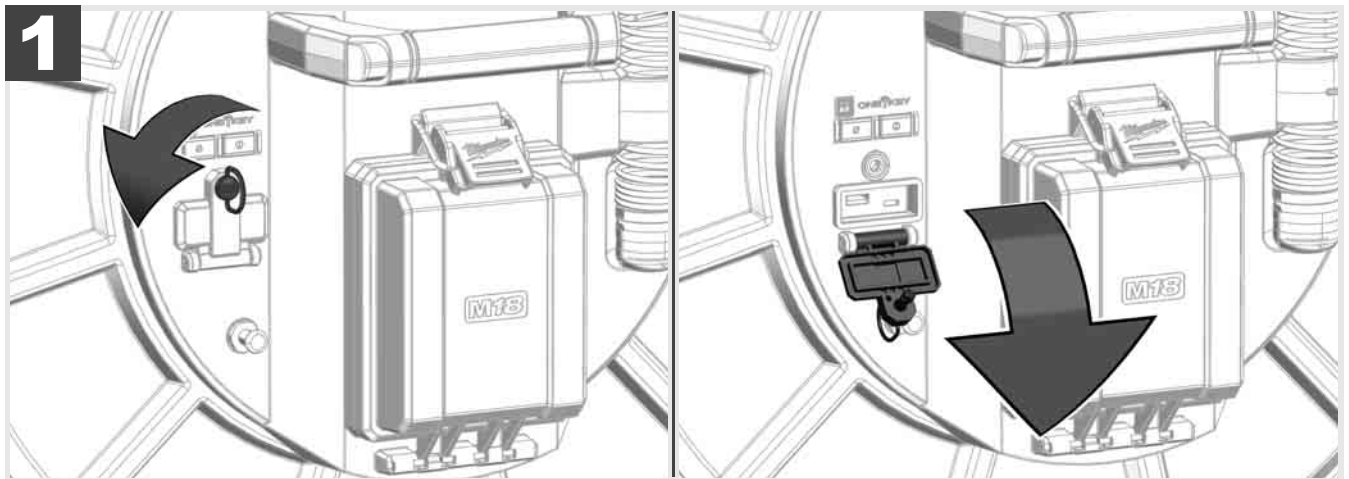
1. Schakel de SMART HUB en de DRAADLOZE MONITOR in.
2. De DRAADLOZE MONITOR bouwt binnen 25 seconden automatisch een verbinding op met de SMART HUB.

\*Voor een kabelverbinding moet de monitor via de USB-C-kabel op de Smart Hub worden aangesloten.

### **EERSTE GEBRUIK MET EEN SMARTPHONE OF TABLET:**

1. Download en installeer de MILWAUKEE LEIDINGINSPECTIE-APP.
2. Schakel de SMART HUB en het weergaveapparaat in.
3. Selecteer de optie Instellingen > WIFI.
4. Selecteer de optie MTCAM\_[LAST 9 DIGITS OF HUB SERIAL #].
5. Voer het wachtwoord in: 29702000
6. Start de MILWAUKEE LEIDINGINSPECTIE-APP.

## 2.8 USB-poorten

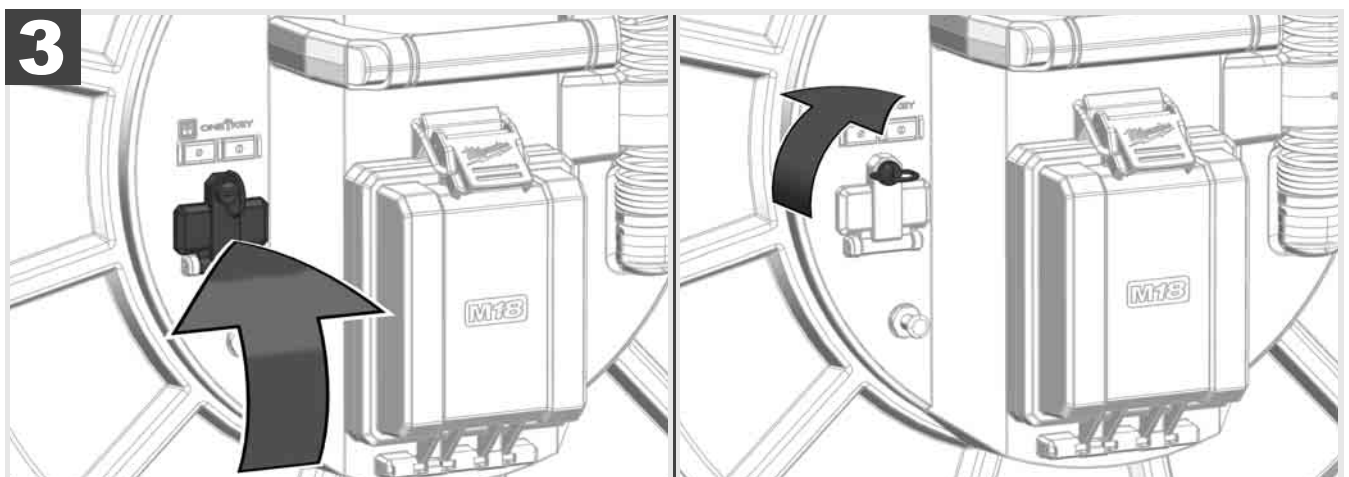


### USB-A

- Poort voor normaal gebruik. Via deze poort kunnen video- en fotobestanden direct opgenomen of vanaf een intern Smart Hub-station overdragen worden.
- Tevens kunnen via deze poort firmware-updates op de Smart Hub worden uitgevoerd.

### USB-C

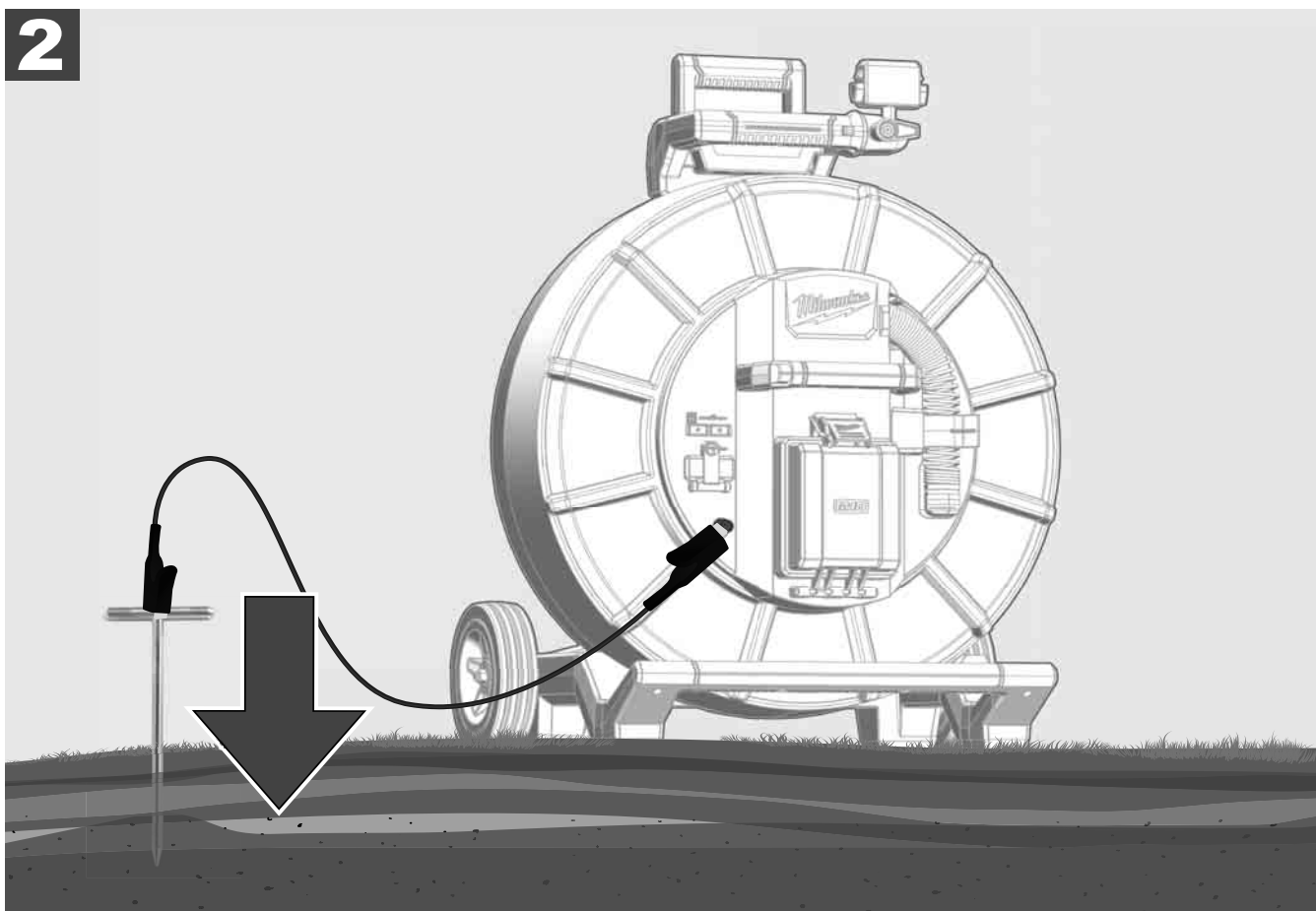
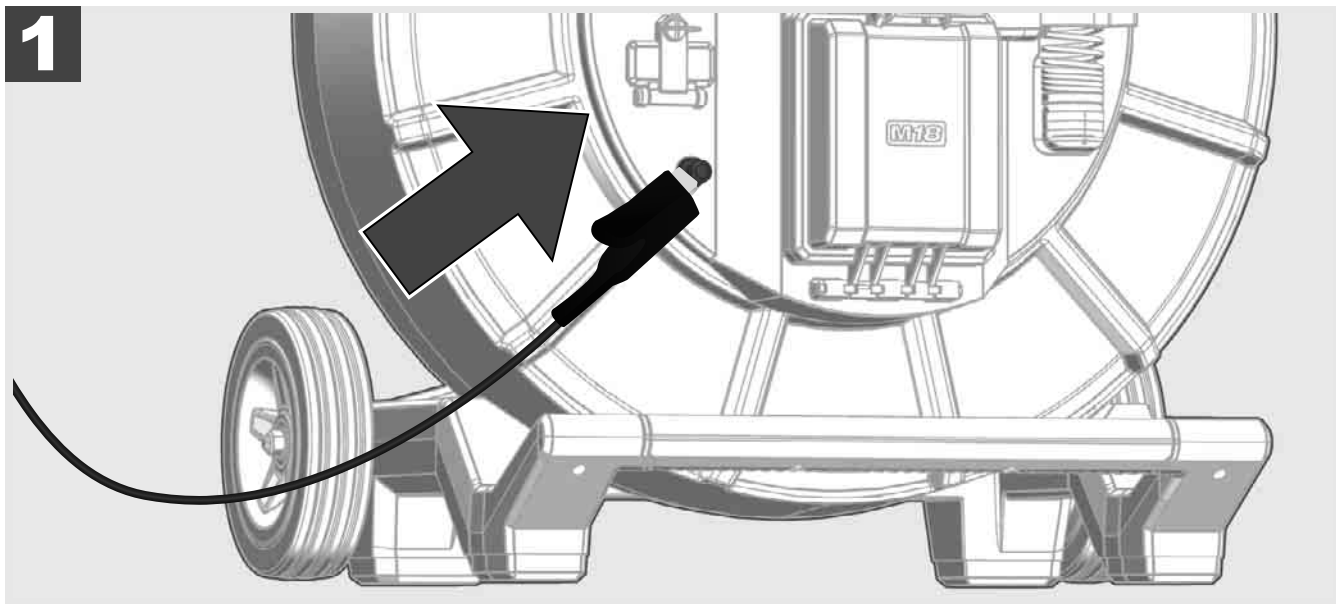
- Via deze poort kan een verbinding tussen de draadloze monitor M18 SIM en de Smart Hub tot stand worden gebracht zonder WIFI-verbinding.  
Stroomvoorziening van de Smart Hub via de draadloze monitor M18 SIM of omgekeerd als de accu niet opgeladen is.



## 2.9 Aardingsstok




De aardingsstok moet worden gebruikt als de duwkabel wordt getraceerd via de functie KABEL TRACEREN. De Smart Hub moet worden geaard, zodat de stroomlus gesloten is en een goed lokalisatiesignaal wordt uitgezonden. Gebruik de bijgeleverde aardingskabel inclusief de aardingsstok voor de aarding van de Smart Hub.

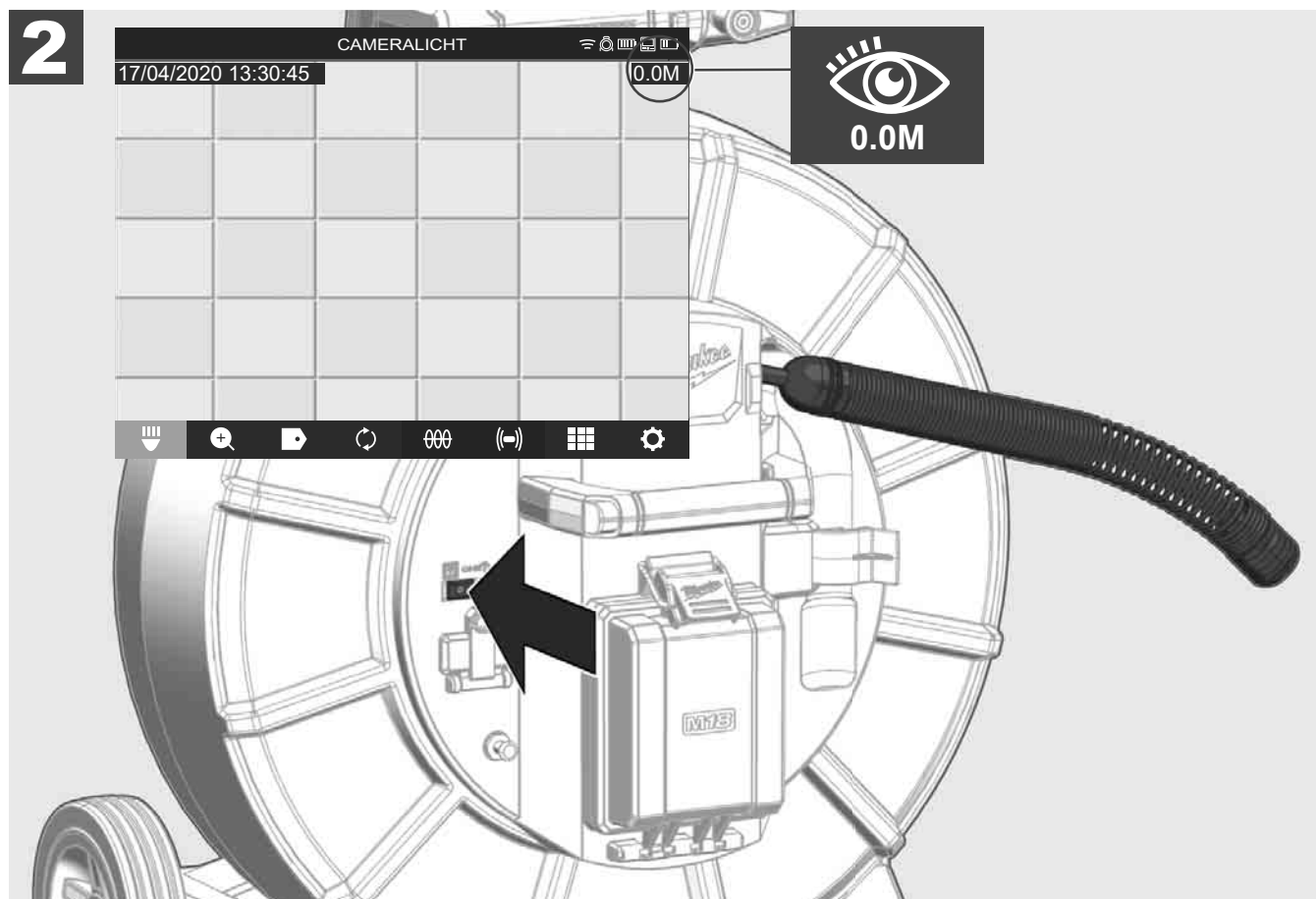
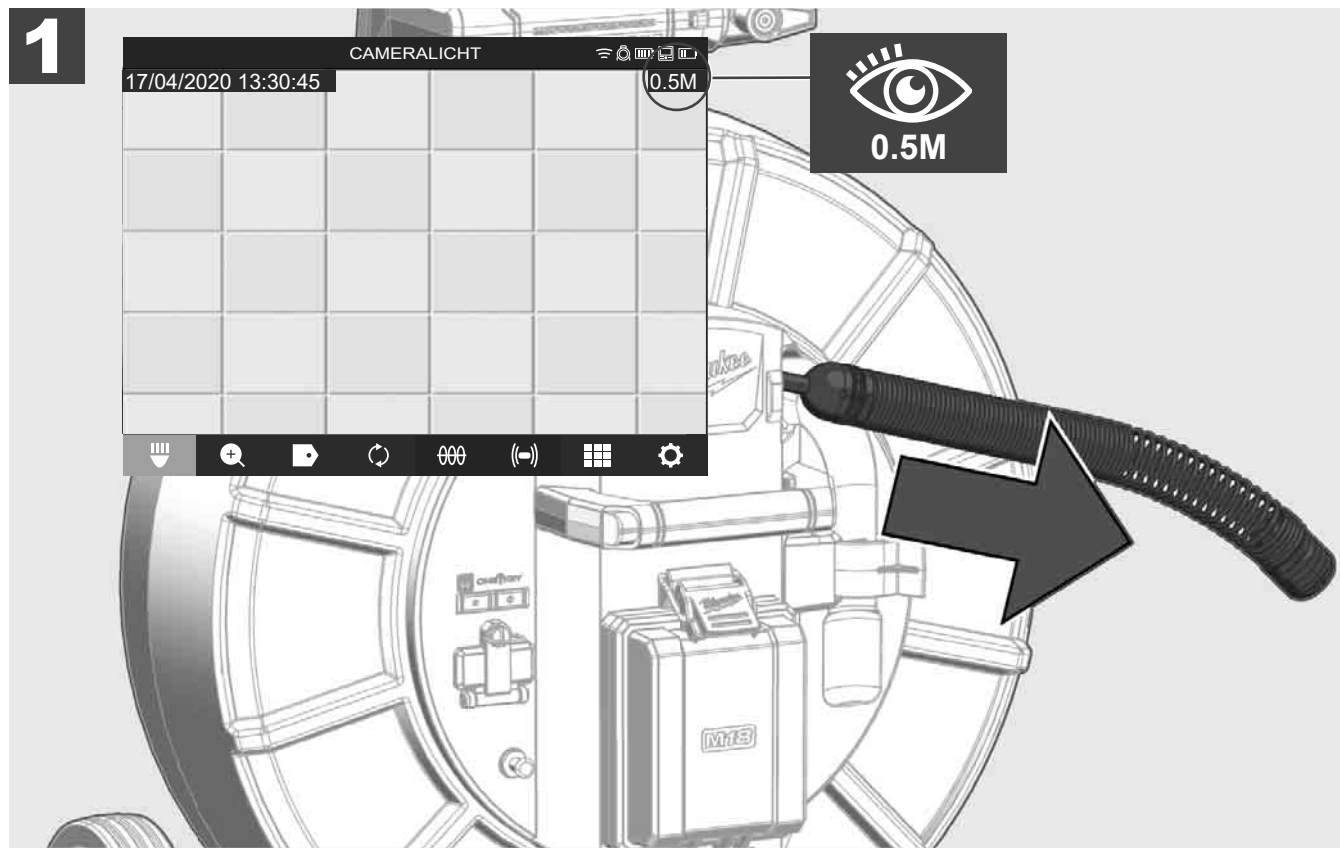


## 2.10 Teller van de kabellengte terugzetten



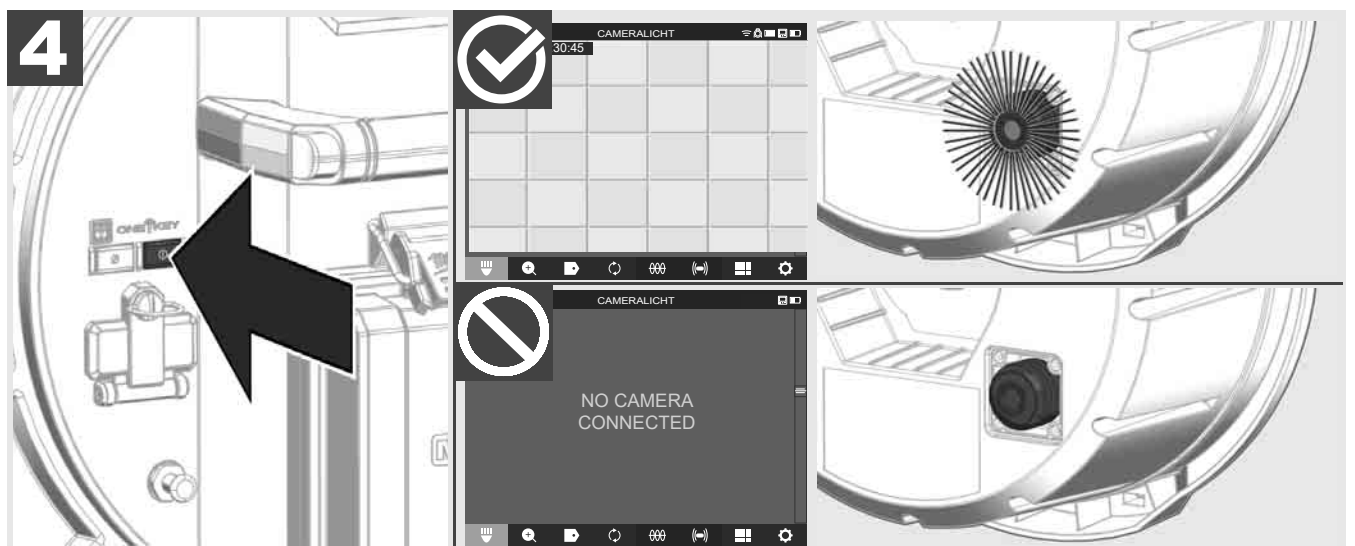
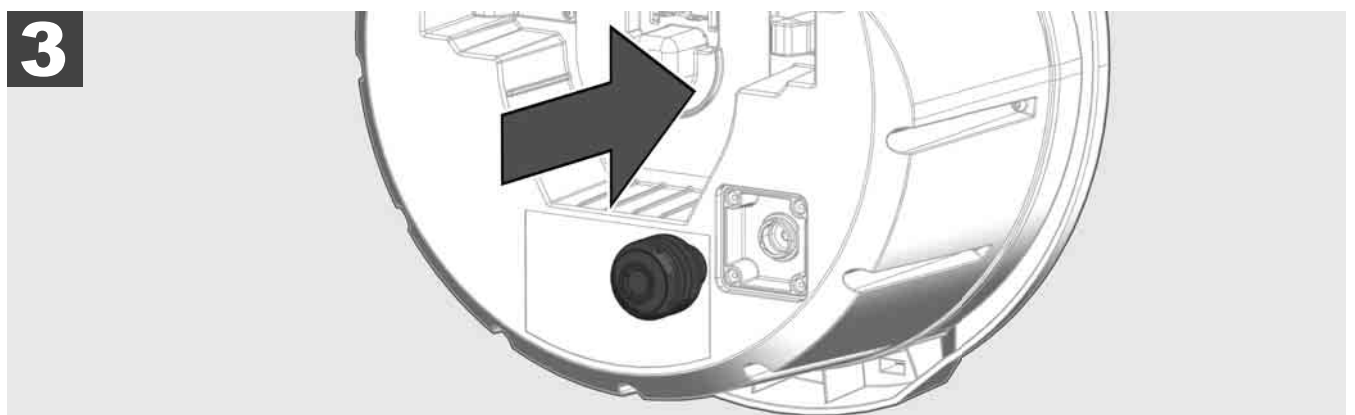
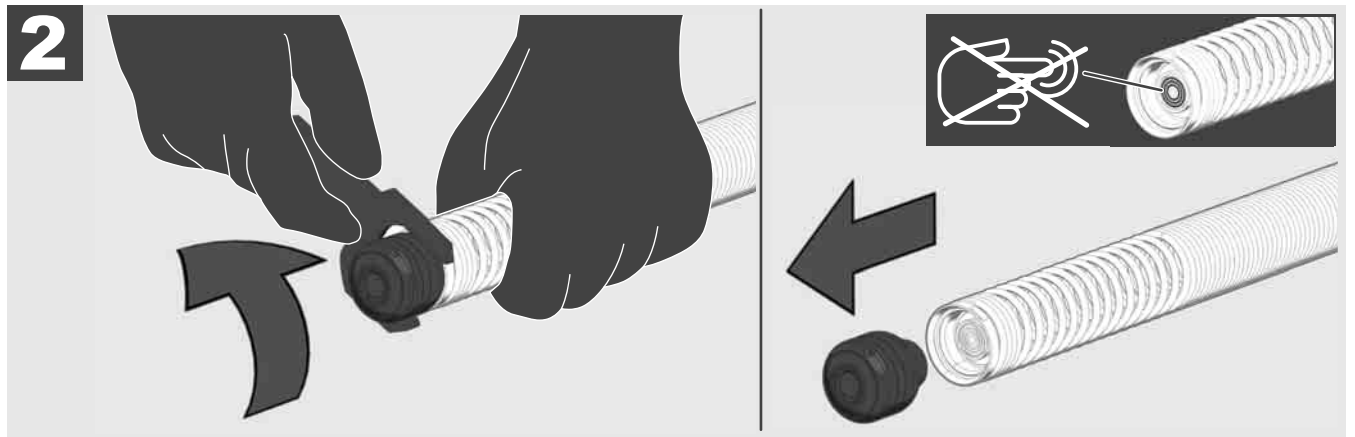
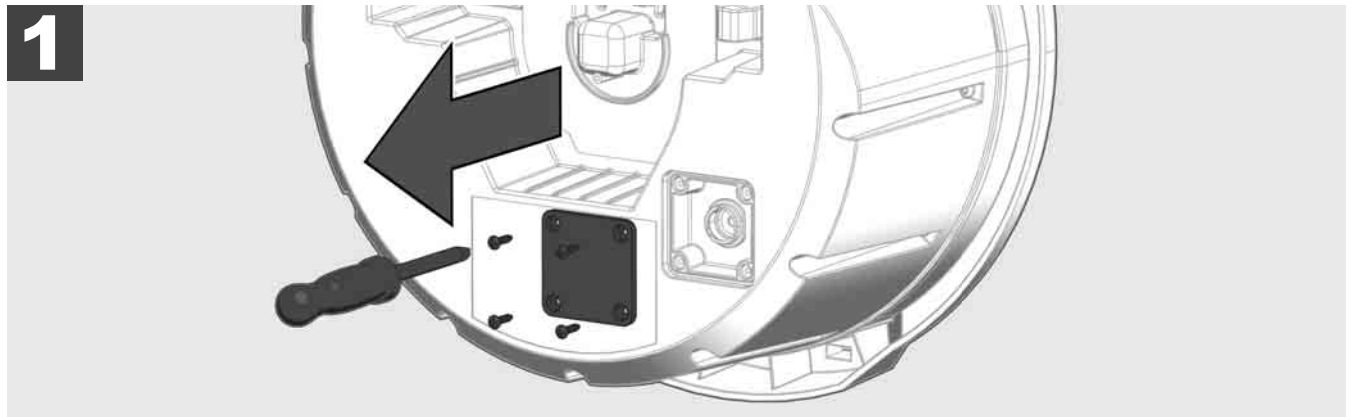
Bij het afrollen van de LEIDINGINSPECTIETROMMEL wordt de lengte van de afgerolde kabel in de statusbalk van de draadloze monitor M18 SIM weergegeven.

Druk op de toets  om de weergave terug te zetten.




## 2.11 Testaansluiting camera

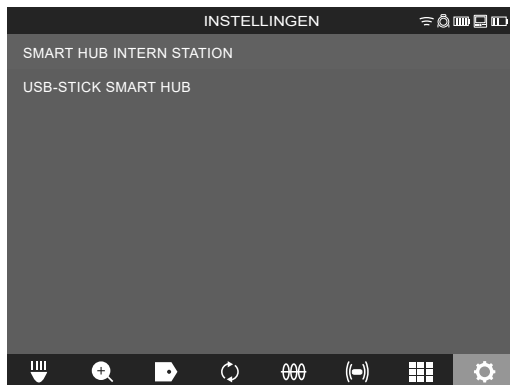
In geval van problemen met de camerakop kan de camera via de testaansluiting worden gecontroleerd.



## 2.12 Intern station en USB-stick formatteren

Met deze functie kunt u het interne 500GB-station van de Smart Hub of de USB-stick formatteren. USB-sticks moeten worden geformatteerd in FAT32-formaat.

1. Selecteer **INSTELLINGEN**  → **GEHEUGEN FORMATTEREN**
2. Selecteer het geheugen.



3. Bevestig de melding op het scherm.



Het geselecteerde station wordt geformatteerd en het systeem keert terug naar het menu **INSTELLINGEN**.

## 2.13 Fabrieksinstellingen

De selectie van de functie fabrieksinstellingen zet de Smart Hub M18 SISH terug naar de in de fabriek ingestelde waarden.

De volgende instellingen van de Smart Hub M18 SISH worden teruggezet:

- LABELS worden gewist.
- VIDEO- en FOTO-instellingen worden teruggezet naar 1080 P.
- De BEDRIJFSNAAM wordt gewist.
- De SONDEFREQUENTIE wordt teruggezet naar de fabrieksinstellingen.
- KABEL TRACEREN wordt teruggezet naar de fabrieksinstellingen.
- De SCHERMINSTELLINGEN worden teruggezet naar de fabrieksinstellingen: tint, helderheid, contrast, intensiteit.
- MEETEENHEDEN

1. Selecteer **INSTELLINGEN**  → **FABRIEKSINSTELLINGEN**



2. Selecteer **FABRIEKSINSTELLINGEN** Smart Hub M18 SISH.



3. Lees de reset-melding en bevestig ze met OK.



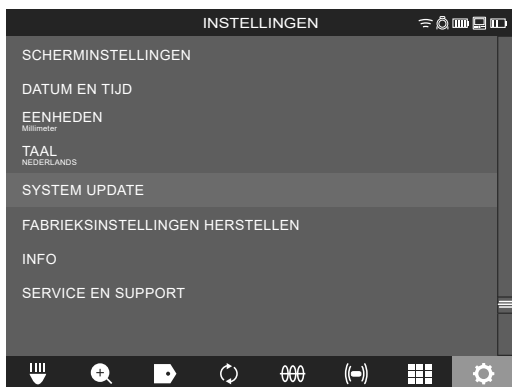
Het terugzetten naar de fabrieksinstellingen is voltooid en het systeem keert terug naar het submenu **FABRIEKSINSTELLINGEN**.

## 2.14 Systeemupdate

Open vóór de systeemupdate het menu **INSTELLINGEN** → **INFO** en noteer de actuele firmwareversie.

Firmware-updates kunnen worden uitgevoerd via de draadloze monitor M18 SIM of via de tablet met de Milwaukee® leidinginspectie-app.

1. Schakel de Smart Hub M18 SISH en de draadloze monitor M18SIM of de tablet met de Milwaukee® leidinginspectie-app in.
2. Waarborg dat de draadloze monitor M18 SIM of de tablet via WIFI met de Smart Hub M18 SISH verbonden is. Indien nog geen WIFI-verbinding voorhanden is, moet deze eerst tot stand worden gebracht.
3. Steek de USB-stick met de firmwareupdate in de USB-A-poort van de Smart Hub M18 SISH.
4. Kies **INSTELLINGEN** → **SYSTEEMUPDATE**



5. Kies Smart Hub M18 SISH.



6. De bestandsnaam van de update wordt op het scherm weergegeven. Kies **BESTANDSNAAM** om de update te starten.



7. Lees de waarschuwing melding en bevestig ze met OK.





8. Aan de hand van een voortgangsbalk wordt het verloop van de update weergegeven.



9. Aan het einde van de update verschijnt een melding die moet worden bevestigd. Kies OK om het systeem opnieuw te starten.



10. Kies **INSTELLINGEN** → **INFO** om te controleren of de firmwareversie werd geactualiseerd.

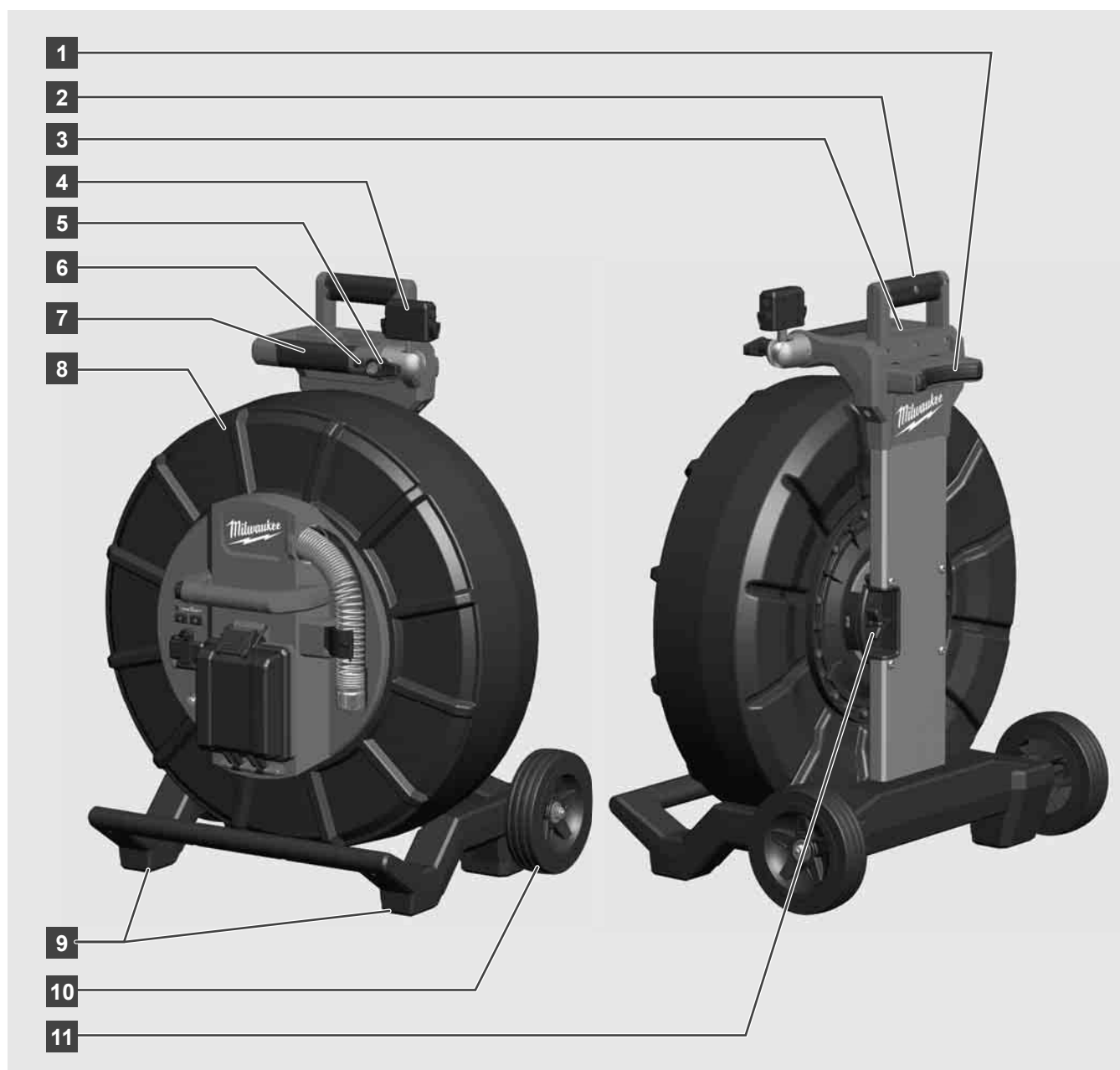
## 3 LEIDINGINSPECTIETROMMELS

### 3.1 Overzicht van de leidinginspectietrommel M18 SIC36



- 1 Stelpoot voor horizontaal gebruik
- 2 Draadloze monitor M18 SIM – tablethouder en aansluiting
- 3 Draadloze monitor M18 SIM – draaivergrendeling
- 4 Draadloze monitor M18 SIM – kantelvergrendeling
- 5 Handgreep
- 6 Kabeltrommel met duwkabel
- 7 Stelpoot voor verticaal gebruik
- 8 Kabeltrommelrem
- 9 Stelpoot voor horizontaal gebruik
- 10 Draagvoorziening

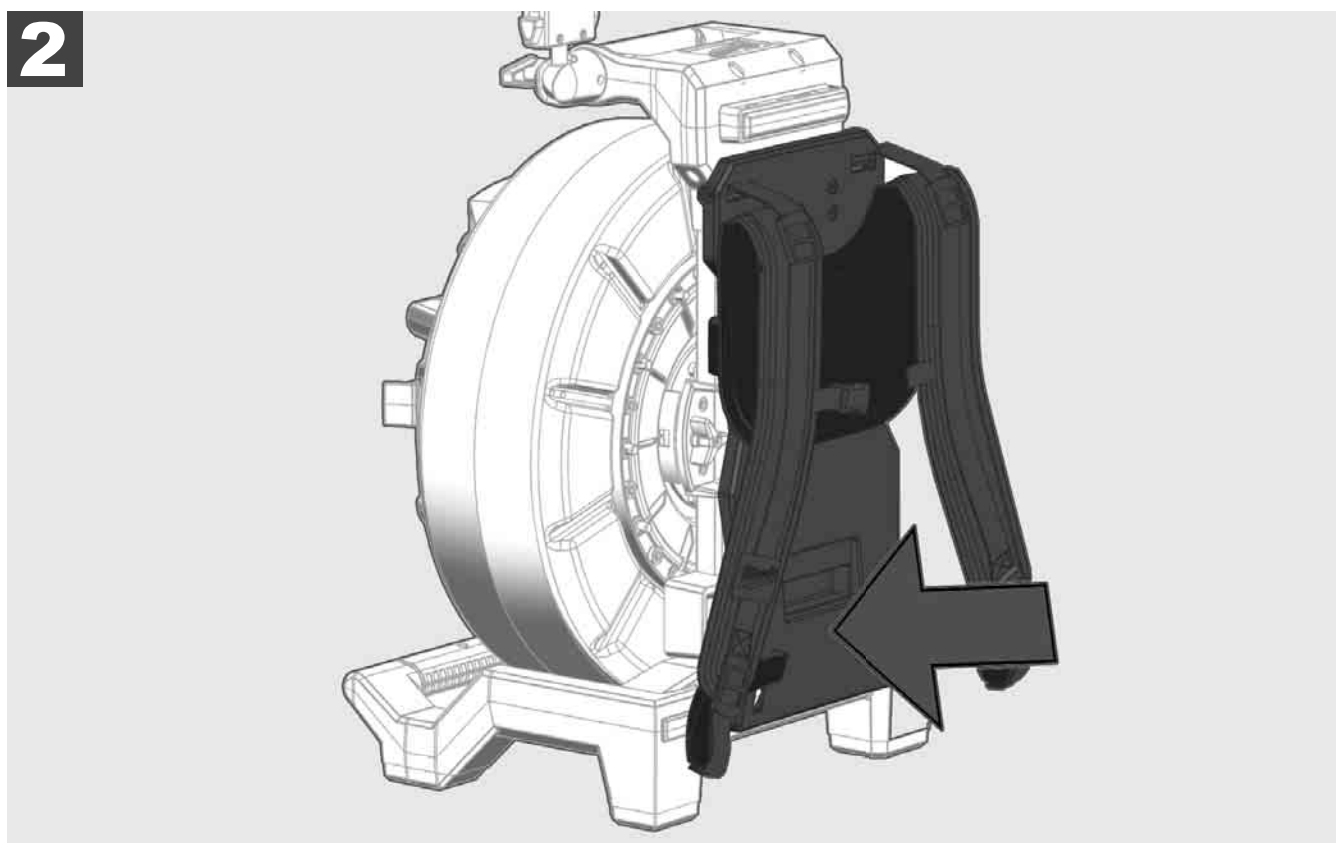
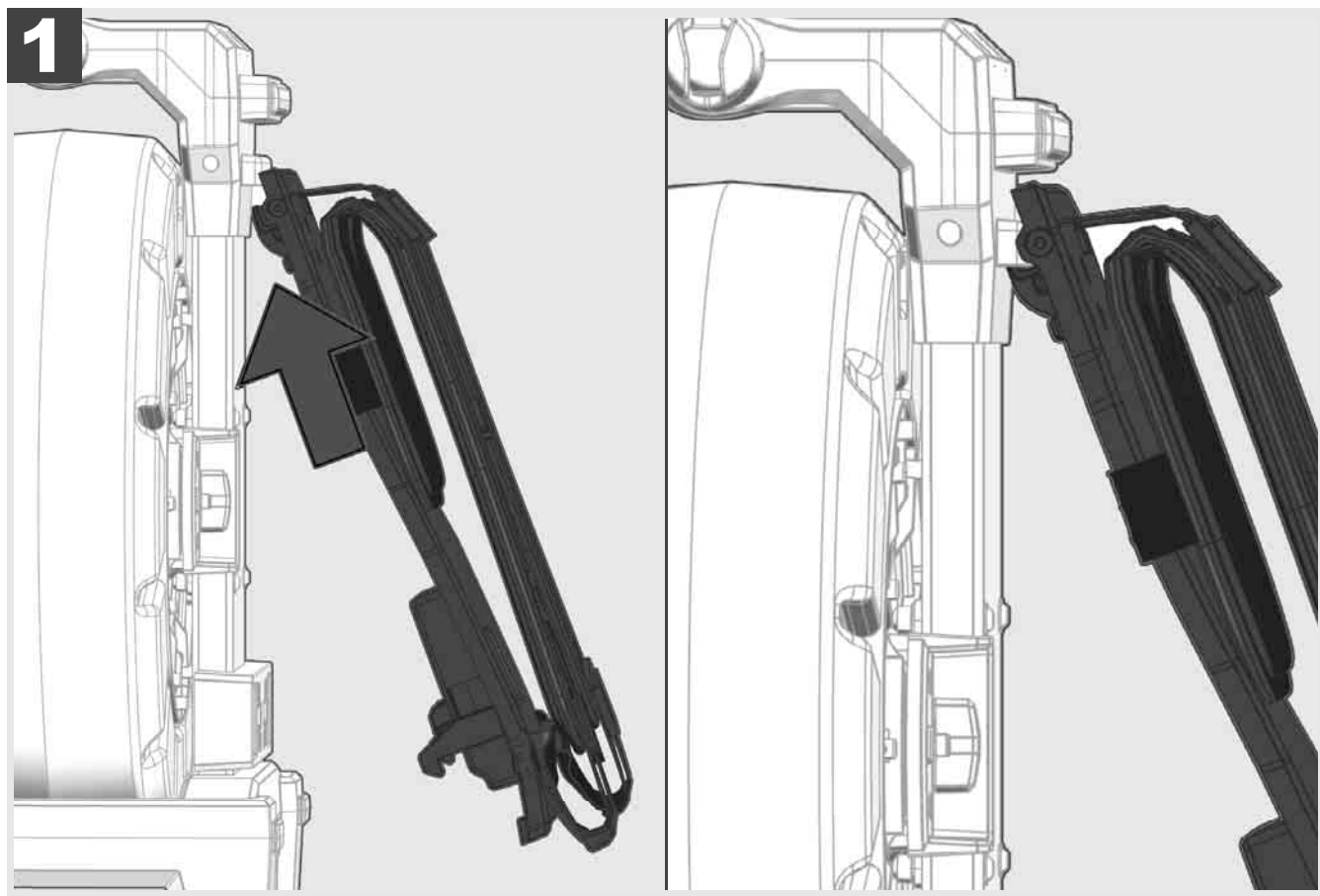
### 3.2 Overzicht van de leidinginspectietrommel M18 SIC60



- 1 Stelpoot voor horizontaal gebruik
- 2 Uittrekbare handgreep (in ingeschoven positie)
- 3 Toets voor de vergrendeling en ontgrendeling van de uittrekbare handgreep
- 4 Draadloze monitor M18 SIM – houder / tablethouder en aansluiting
- 5 Draadloze monitor M18 SIM – draaibeveiliging
- 6 Draadloze monitor M18 SIM – kantelbeveiliging
- 7 Handgreep
- 8 Kabeltrommel met duwkabel
- 9 Stelpoot voor verticaal gebruik
- 10 Wielen
- 11 Kabeltrommelrem

### 3.3 Draagvoorziening installeren

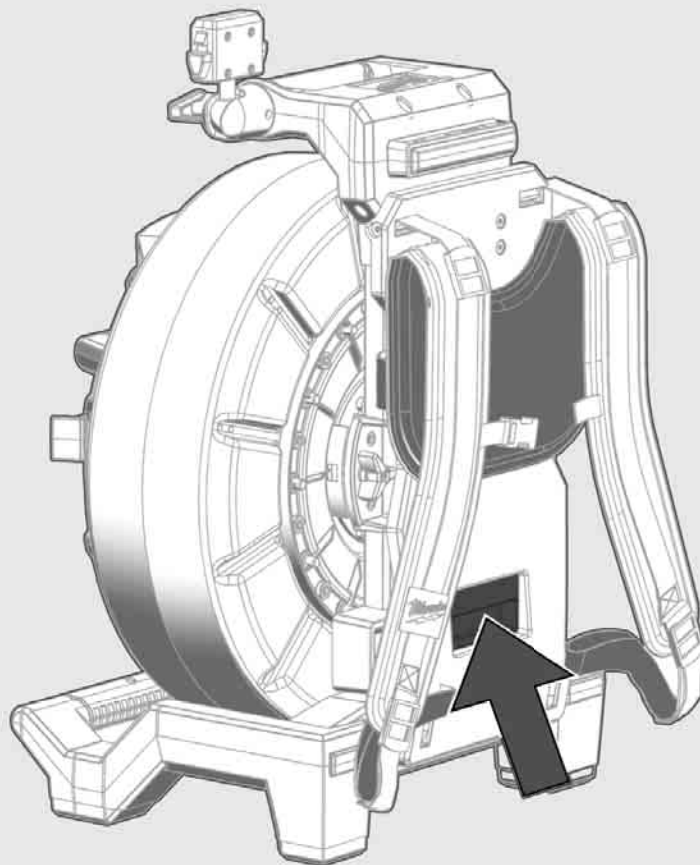
De leidinginspectietrommel M18 SIC36 beschikt een draagvoorziening, waarmee de trommel als een rugzak op de rug kan worden gedragen. Daarmee kan de kleine trommel comfortabel naar de plaats van toepassing worden getransporteerd, hetgeen vooral handig is bij het traplopen of bij het gebruik op ladders.



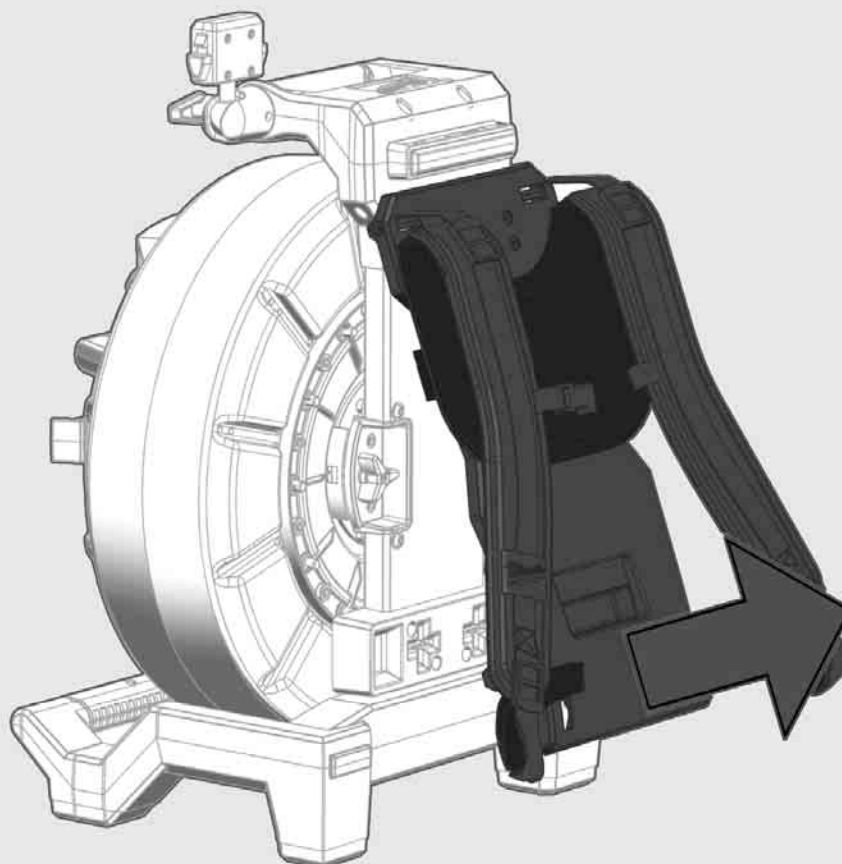
Haak de draagvoorziening boven in en druk met de bal van de hand tegen de onderkant, zodat de draagvoorziening vastklikt. Trek kort aan de draagvoorziening om te waarborgen dat deze is vastgeklikt.



**1**

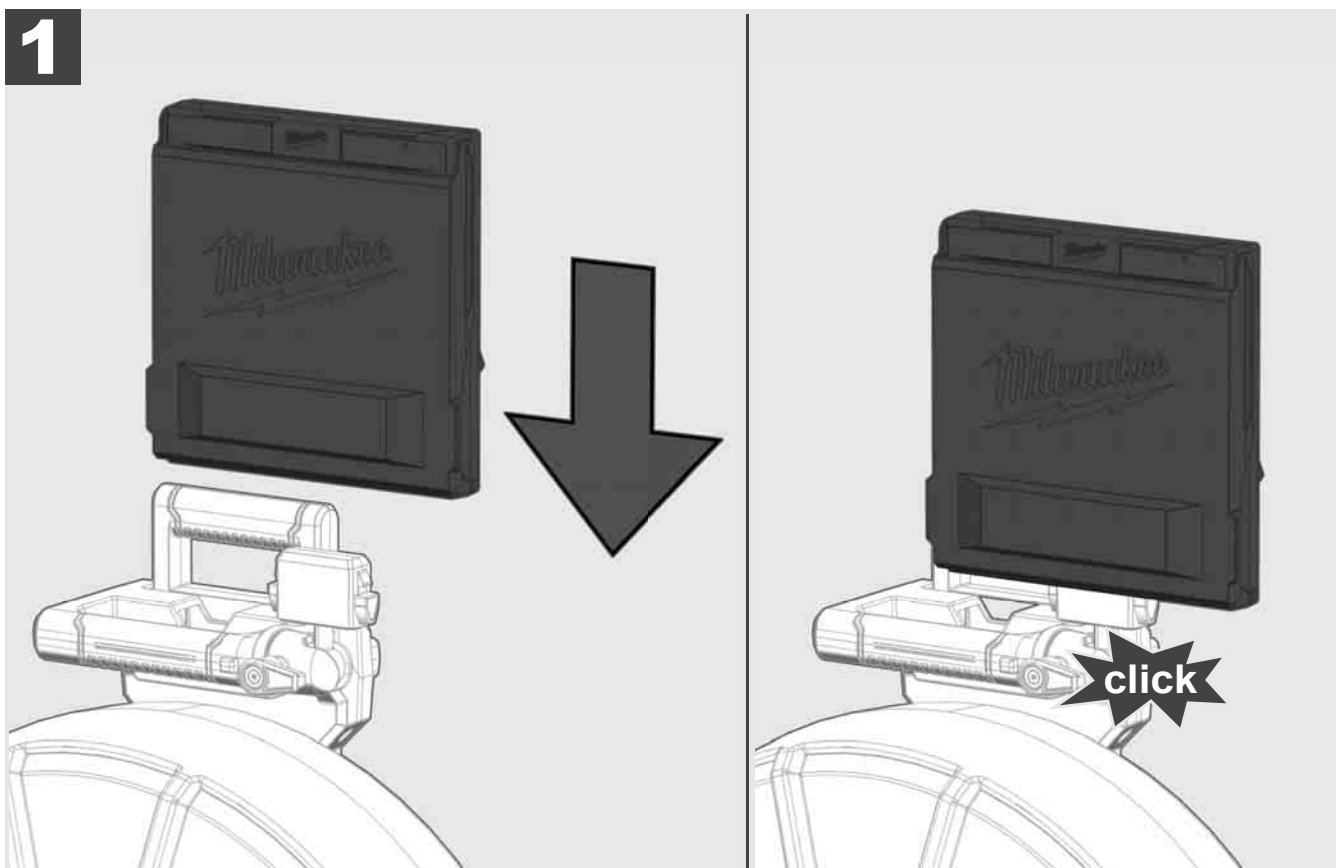


**2**

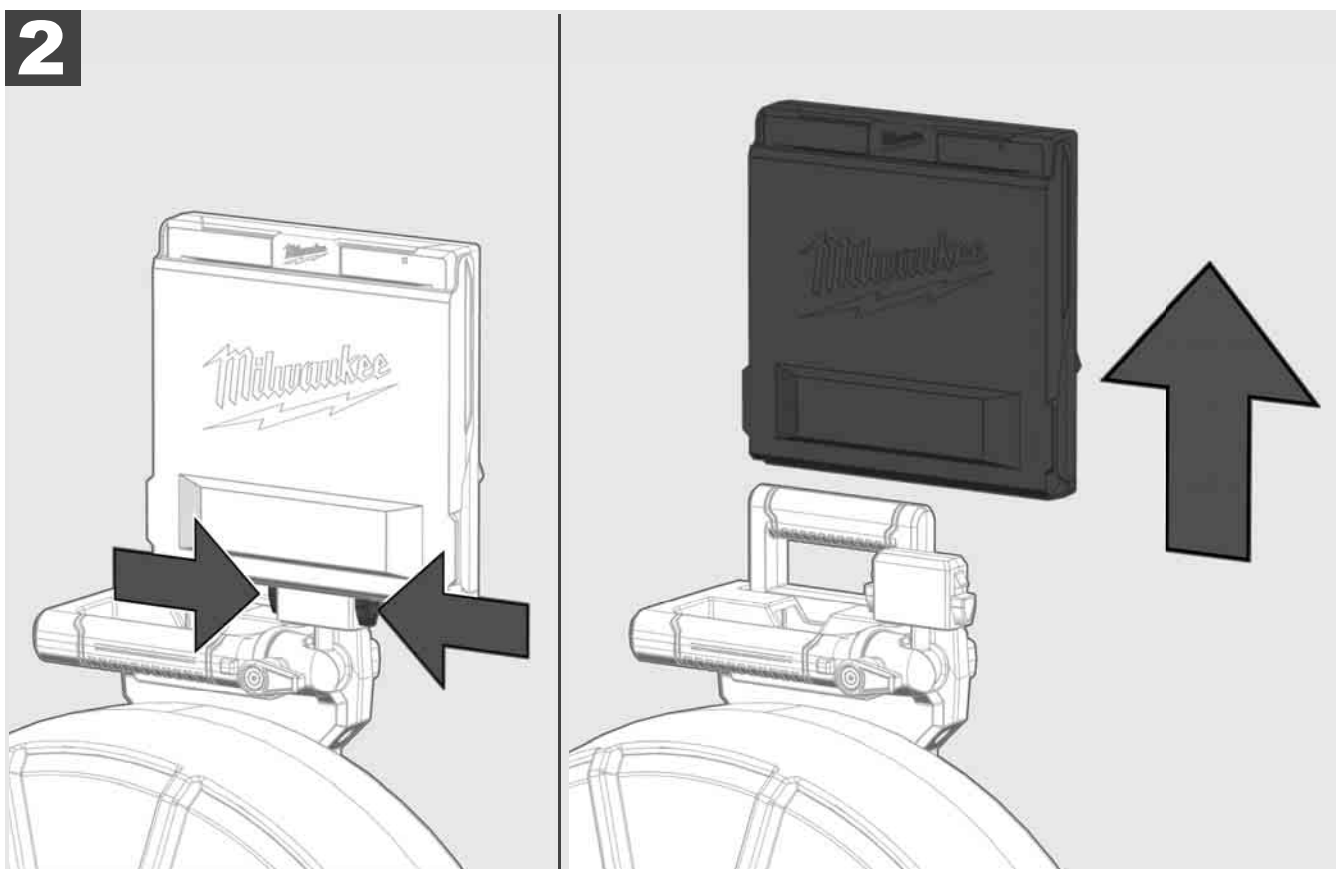


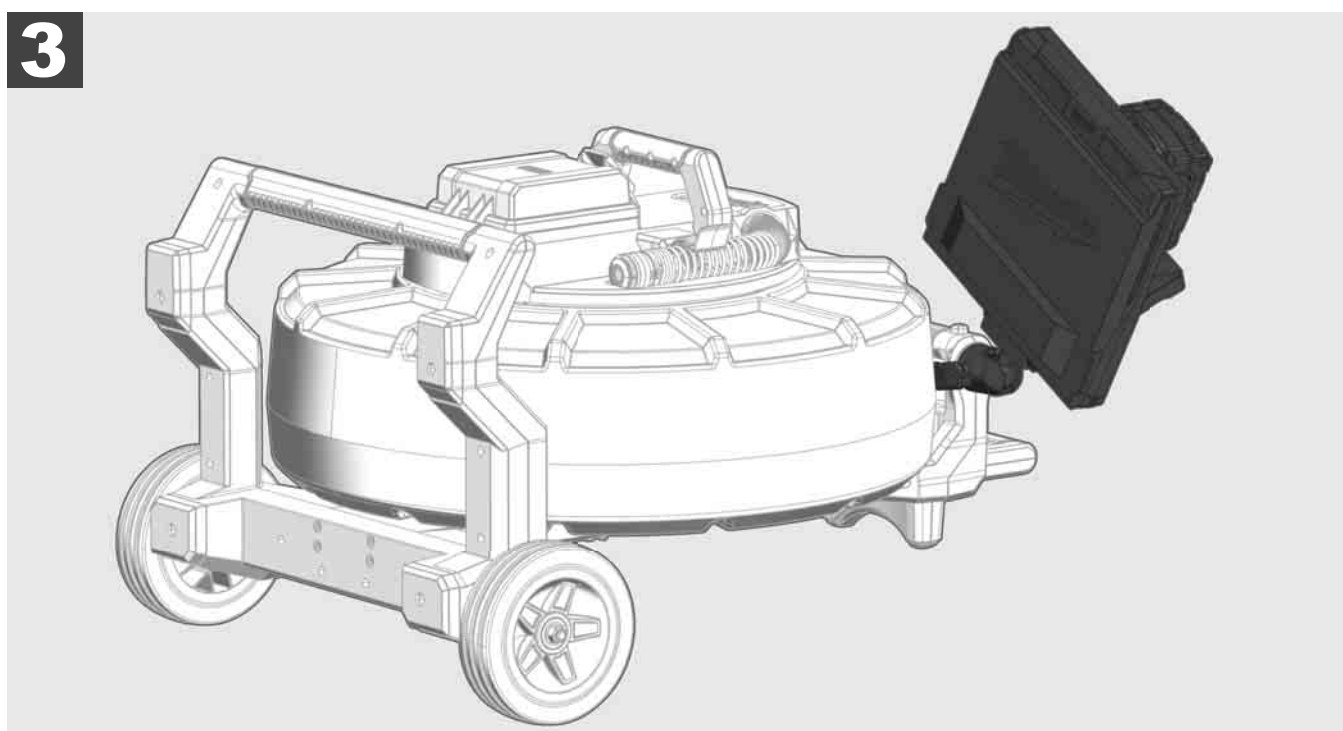
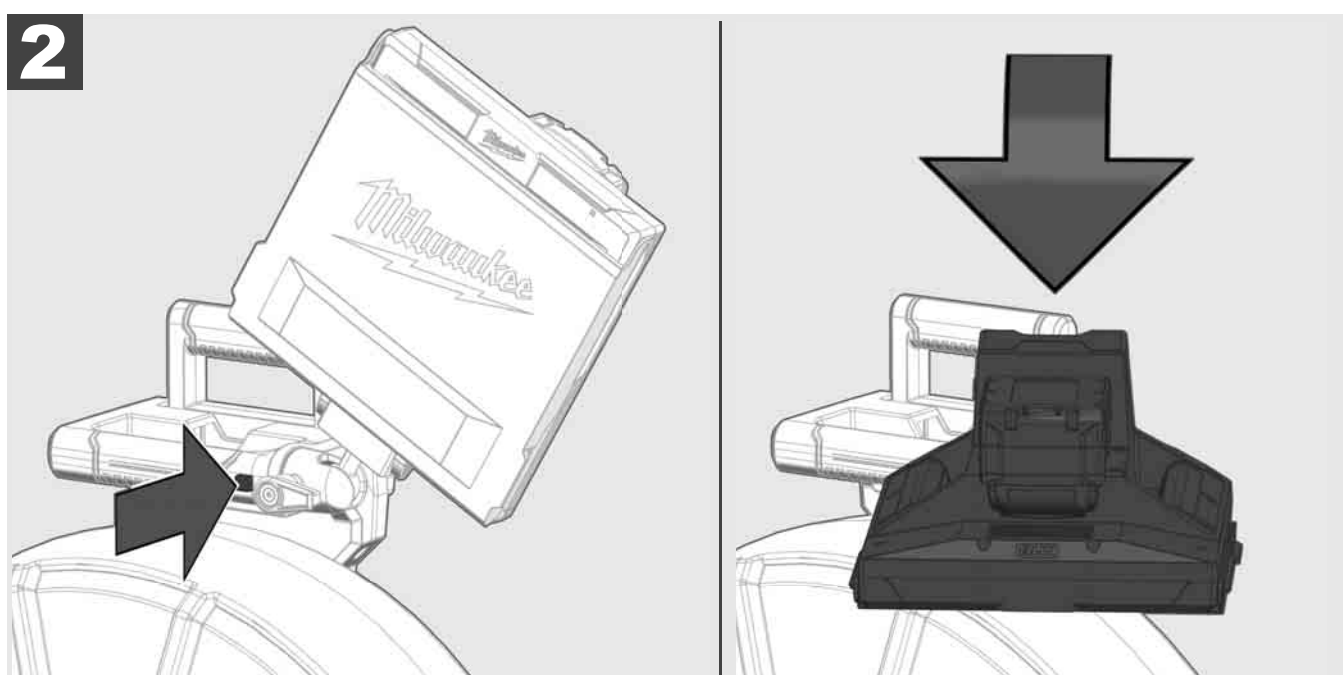
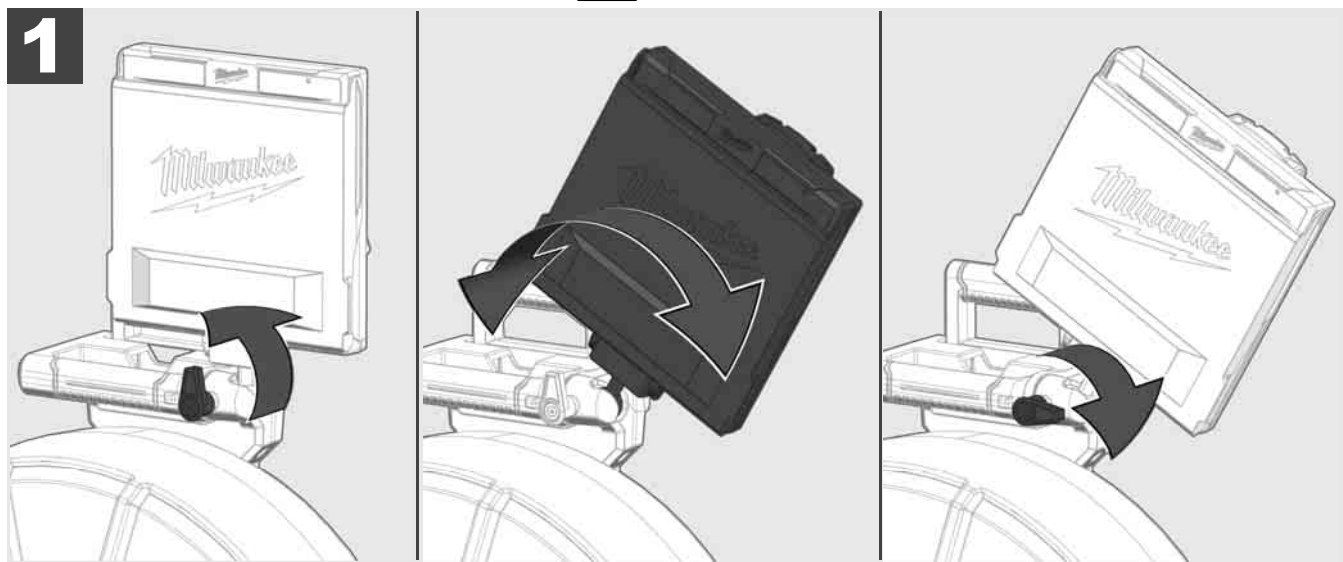


**1**



**2**





### 3.7 Gebruik van de leidinginspectietrommel



Controleer de duwkabel op slijtage – controleer de kabel bij het oprollen op inkepingen, knikken en slijtage. Als de ommanteling zo sterk versleten is dat het gele of witte vlechtwerk van kevlar zichtbaar is, moet de duwkabel worden vervangen. Bij het gebruik van een duwkabel met beschadigde ommanteling kan water en vocht binnendringen, waardoor de kwaliteit van de camera-opnames negatief beïnvloed kan worden of de camera kan uitvallen.

De onderstaande afbeelding toont voorbeelden voor sterk beschadigde ommantelingen. Dergelijke duwkabels moeten zo snel mogelijk worden vervangen.

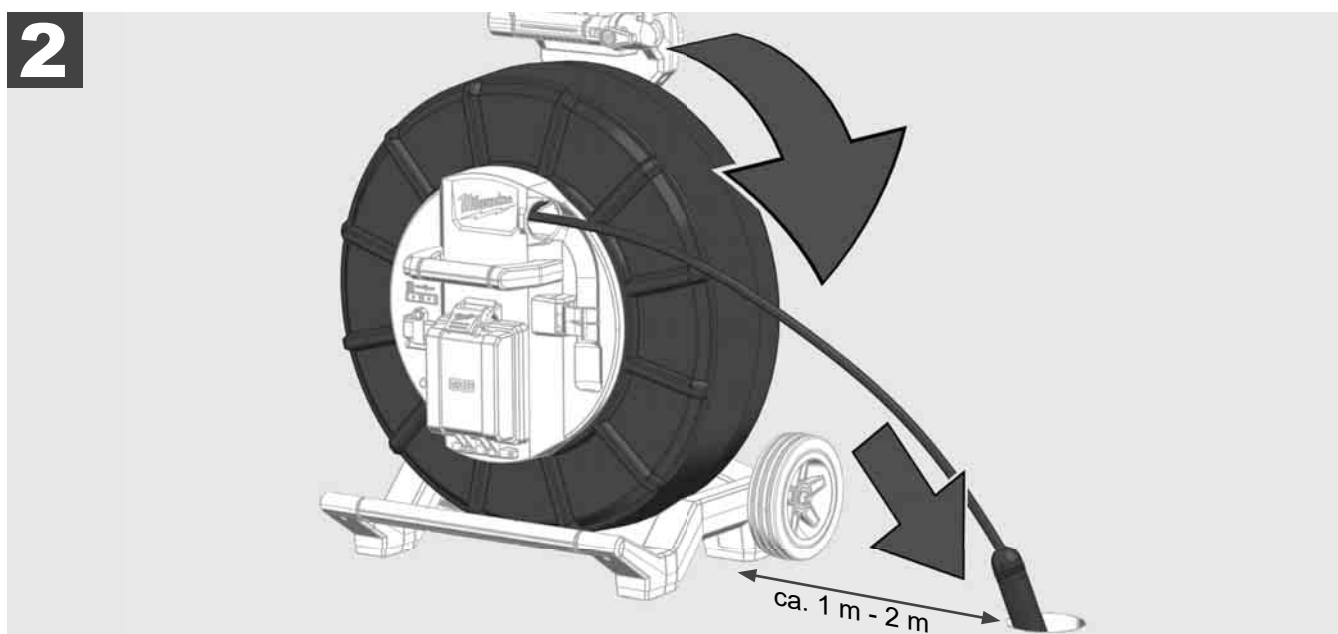
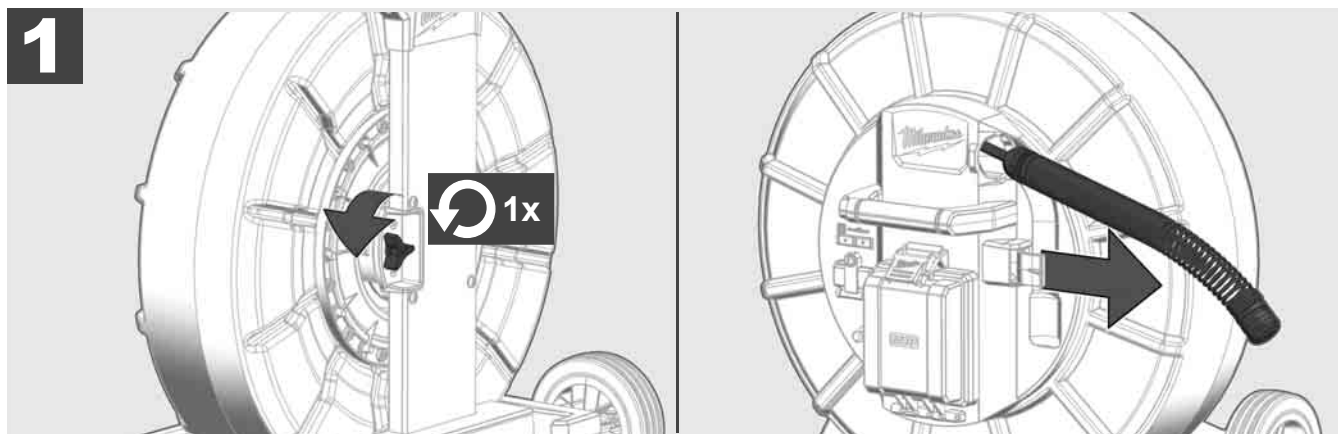


De duwkabel en de veermodule moeten altijd droog en schoon worden gehouden – reinig de kabel tijdens het oprollen altijd met een schone, droge doek. Bevrijd de camerakop en de veer aan het einde van een werkdag onder stromend water voorzichtig van verontreinigingen. Schud ze droog of blaas overtollig water weg met lage druk perslucht en laat de onderdelen vervolgens drogen. Camerakop, duwkabel en aansluitdelen zijn bij het dagelijkse gebruik blootgesteld aan agressieve chemicaliën. Door de zorgvuldige reiniging van het systeem verlengt u de levensduur van deze onderdelen.

Behandel de duwkabel zorgvuldig – trek de duwkabel niet uit de vergrendelde trommel. In het andere geval wordt de kabel in de trommel in elkaar gedrukt en overmatig belast. Als u de duwkabel in de vergrendelde trommel terugschuift, kan de trommel daarentegen kantelen en de kabel knikken.

Plaats de trommel ongeveer 1 tot 2 meter van de het toegangspunt verwijderd op een vlakke ondergrond. Zo blijft voldoende plaats over om met de kabel te werken, zonder dat kabellussen over de bodem worden getrokken. Bedien eventueel de frictierem om de beweging van de duwkabel te verlangsamen.

Als de trommel in horizontale positie wordt gebruikt, wordt het oppervlak tussen de poten groter. Hierdoor heeft de trommel een veiligere stand op oneffen ondergronden en is de trommel niet zo hoog, hetgeen bij krappe ruimte van voordeel is.





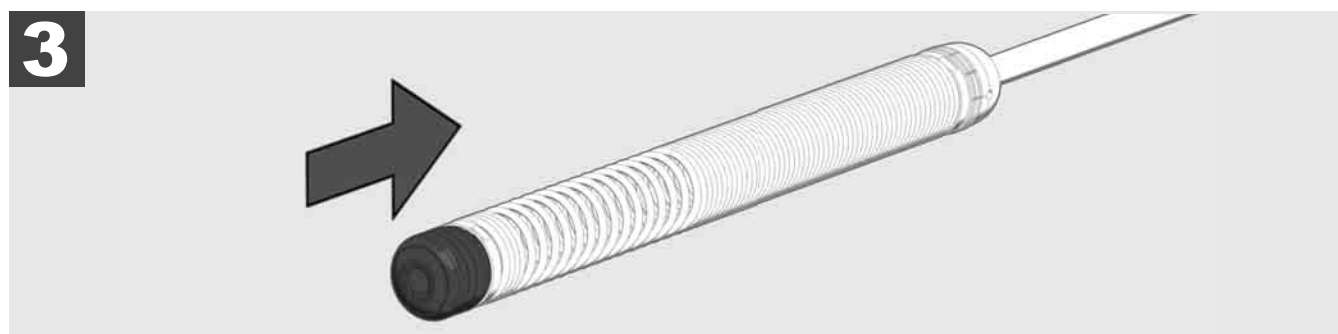
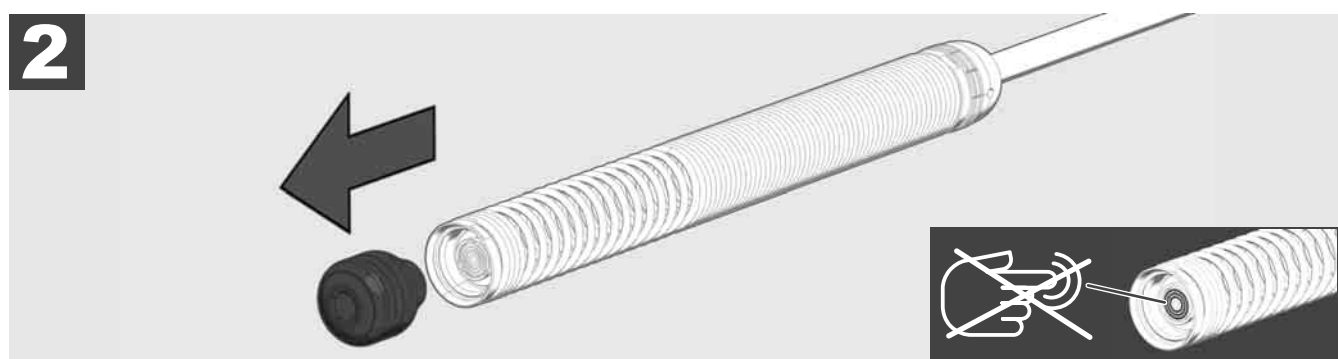
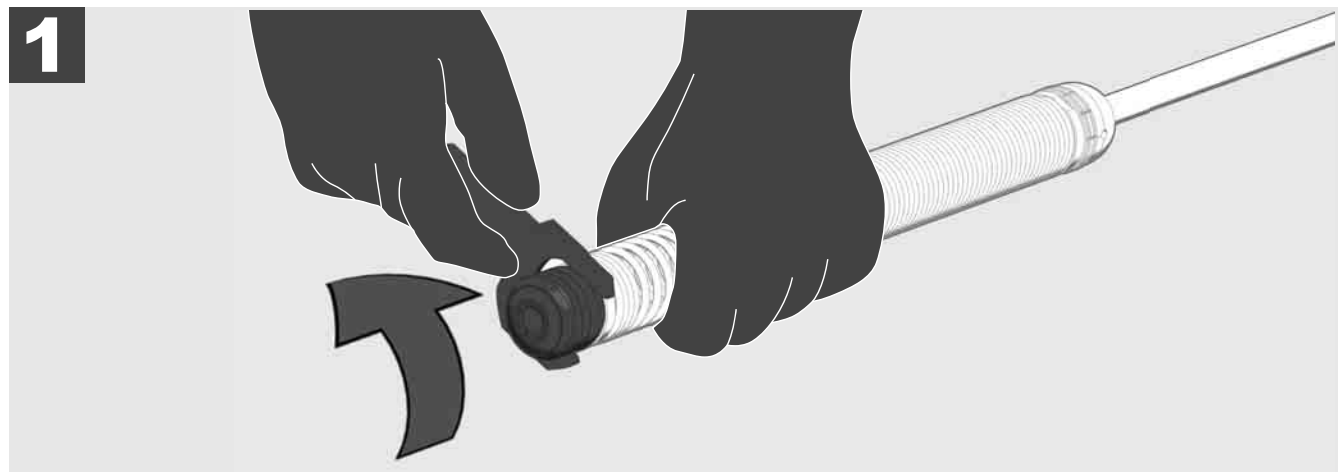
### 3.8 Cameramodule



Pak de groene printplaat resp. de gouden contacten op de veermodule evenals de camerakop indien mogelijk niet vast met blote handen. In het andere geval wordt de vetlaag van de vingers overgedragen op deze onderdelen, hetgeen kan leiden tot voortijdige corrosie. Draag indien mogelijk schone en droge rubberhandschoenen.

Veeg de camerakop droog voordat u hem eruit neemt en verwijder vuilresten die in het aansluitgedeelte van de camera zouden kunnen vallen.

Draai hem niet te vast en oefen geen overmatige kracht uit!



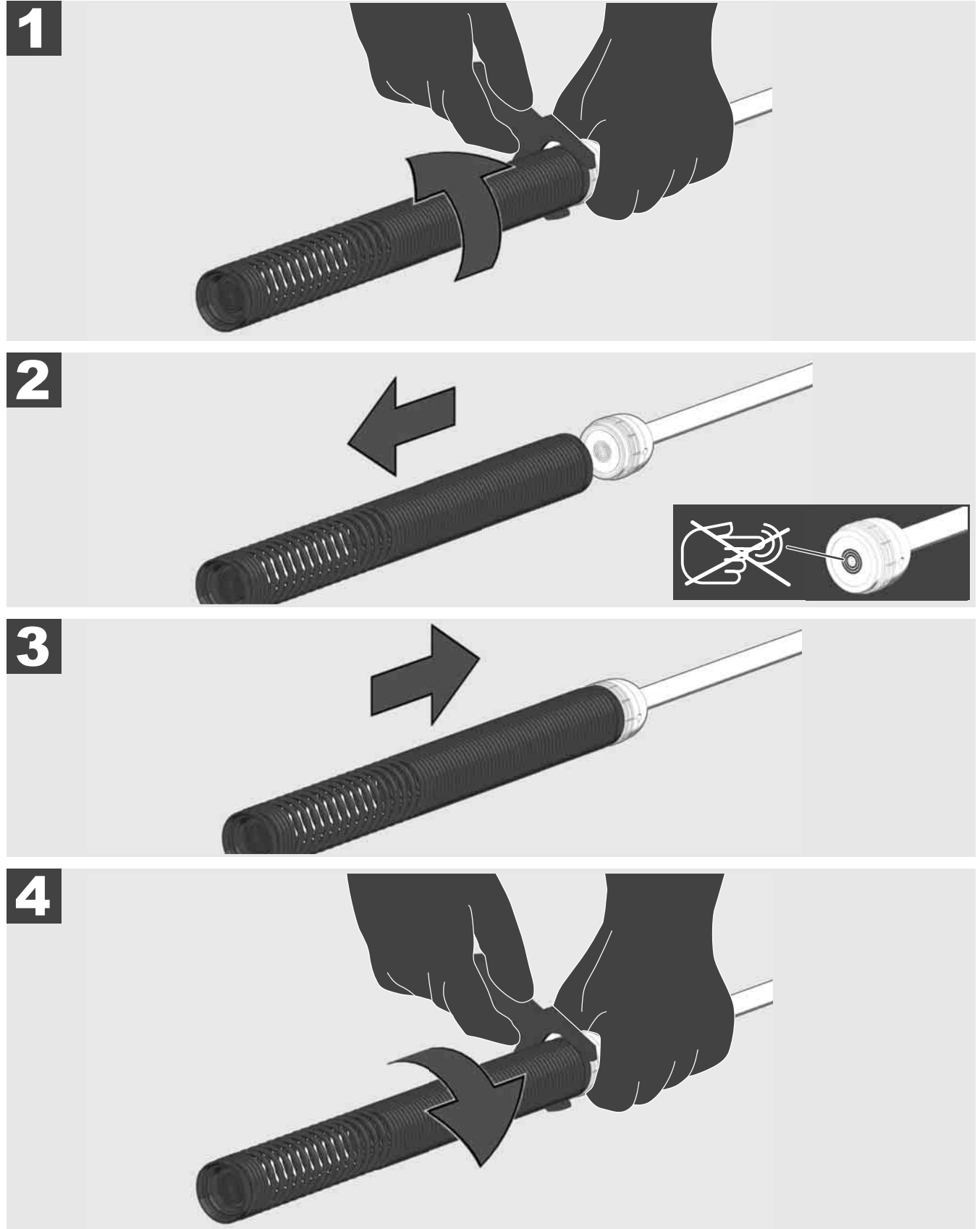
### 3.9 Veermodule



Pak de groene printplaat resp. de gouden contacten op de veermodule evenals de camerakop indien mogelijk niet vast met blote handen. In het andere geval wordt de vetlaag van de vingers overgedragen op deze onderdelen, hetgeen kan leiden tot voortijdige corrosie. Draag indien mogelijk schone en droge rubberhandschoenen.

Veeg de camerakop droog voordat u hem eruit neemt en verwijder vuilresten die in het aansluitgedeelte van de camera zouden kunnen vallen.

Draai hem niet te vast en oefen geen overmatige kracht uit!



### 3.10 Veiligheidsafdekking van de camera

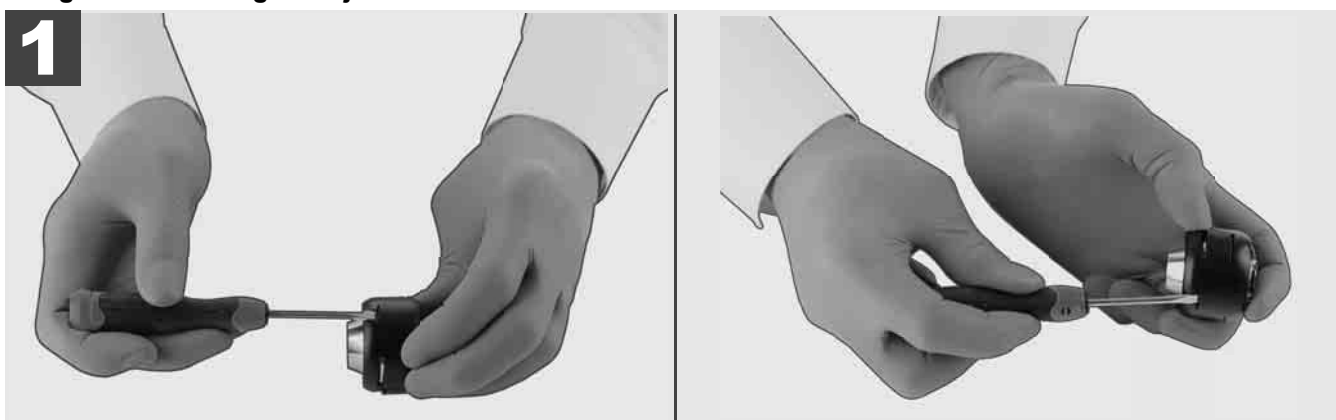


Veiligheidsafdekkingen – passend voor camerakoppen met 25 mm resp. 34 mm diameter. Deze veiligheidsafdekkingen worden met alle LEIDINGINSPECTIETROMMELS of reserve camerakoppen meegeleverd.

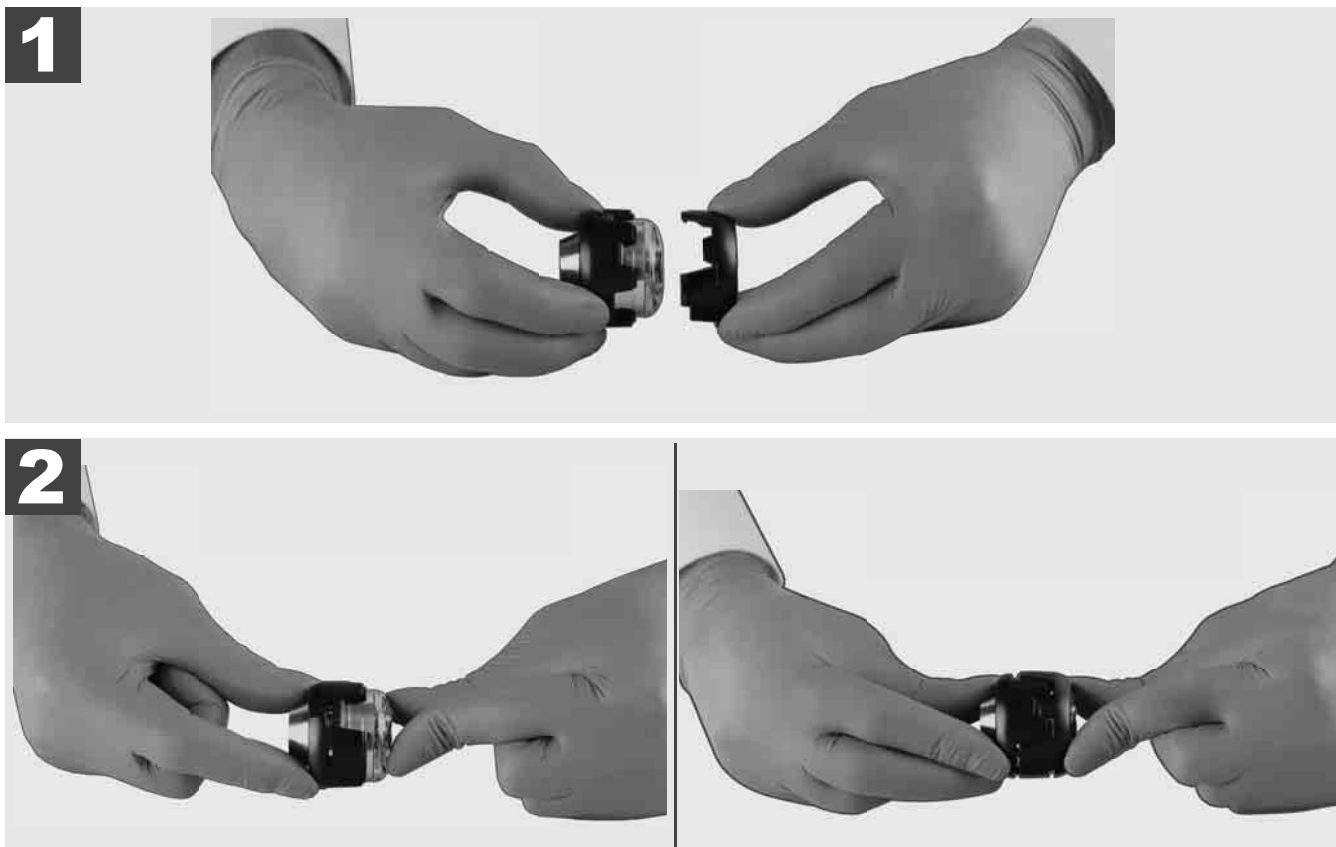
Leidingen – ze worden op de veermodule geplaatst, zodat de camerakop over de bodem stuurt en niet direct met de leiding in contact komt.



#### Veiligheidsafdekking verwijderen



#### Veiligheidsafdekking installeren



### 3.11 Camerageleidingen



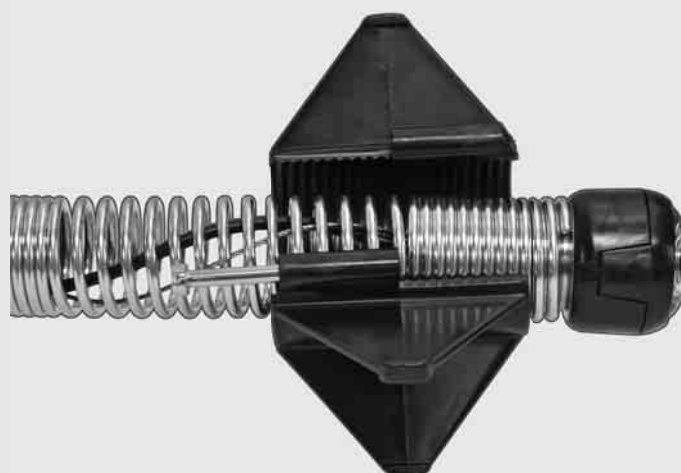
Voor de 25 mm resp. 34 mm brede camerakoppen staan telkens twee geleidingen ter beschikking: een kleine uitvoering met 75 mm en een gemiddelde uitvoering met 100 mm.

Camera-uitvoering 25 mm

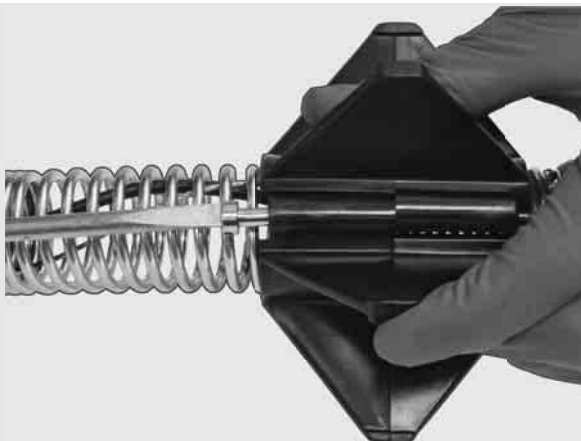
Camerageleiding 34 mm



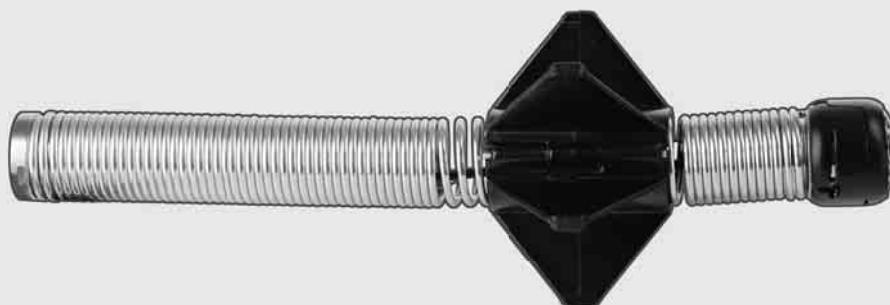
**1**



**2**




**3**




### 3.12 Service en support


Als uw leidinginspectiesysteem moet worden gerepareerd, kunt u via SERVICE EN SUPPORT de servicepagina voor Milwaukee-gereedschappen met alle belangrijke telefoonnummers oproepen.

Kies **INSTELLINGEN**  **SERVICE EN SUPPORT**

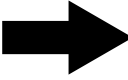



**Milwaukee**  
Nothing but **HEAVY DUTY**®

click 



**M18 SIC36**  
**M18 SIC60**  
**M18 SISH**

click 



**M18 SIM**

click 

1	Generel information.....	2
1.1	Særlige sikkerhedsregler vedr. rørinspektionssystemer .....	2
1.2	Yderligere sikkerheds- og arbejdsinformationer .....	2
1.3	Tekniske data .....	3
1.4	Tilsluttet anvendelse .....	3
1.5	Krav til radiofrekvens i forbindelse med europæiske installationer .....	3
1.6	EF-Overensstemmelseserklæring.....	4
1.7	ONE-KEY™ .....	4
1.8	Batterier.....	4
1.9	Transport af lithium-batterier .....	4
1.10	Vedligeholdelse .....	4
1.11	Symboler.....	5
2	Smart Hub M18 SISH .....	6
2.1	Oversigt Smart Hub M18 SISH .....	6
2.2	Isætning og udtagning af batteri .....	7
2.3	Kontrol af batteriniveau .....	8
2.4	Tilkobling af Smart Hub M18 SISH .....	9
2.5	Frakobling af Smart Hub M18 SISH .....	10
2.6	Tænd- og sluk-knap .....	11
2.7	Tilslutning af skærm .....	12
2.8	USB-porte .....	13
2.9	Jordingsstang .....	14
2.10	Nulstilling af længdetæller .....	15
2.11	Kamera-testport .....	16
2.12	Formatering af internt drev og USB-stik.....	17
2.13	Fabriksindstillinger .....	18
2.14	Systemopdatering.....	19
3	RØRINSPEKTIONSTROMLER .....	21
3.1	Oversigt rørinspektionstromle M18 SIC36 .....	21
3.2	Oversigt rørinspektionstromle M18 SIC60 .....	22
3.3	Installering af bæreanordning .....	23
3.4	Afinstallering af bæreanordning .....	24
3.5	Installering af trådløs monitor M18 SIM .....	25
3.6	Indstilling af trådløs monitor M18 SIM .....	26
3.7	Brug af rørinspektionstromlen .....	27
3.8	Kamerahovedenhed .....	28
3.9	Fjederenhed .....	29
3.10	Kamerabeskyttelsesdæksel .....	30
3.11	Kameraskinner .....	31
3.12	Service og support .....	32

# 1 GENEREL INFORMATION

## 1.1 Særlige sikkerhedsregler vedr. rørinspektionssystemer

Ved arbejde i rør skal du sikre dig, at disse ikke er spændingsførende eller elektrisk ladet. Rørene må ikke indeholde væske. Kameraet og apparatet må ikke komme i berøring med væske.

Kameraet og kablet må ikke komme i berøring med olie, gas eller andre korrosive materialer.

For at reducere risikoen for eksplosion, elektrisk stød og materiel skade skal arbejdsområdet altid kontrolleres inden alt arbejde. Kablet må ikke komme i kontakt med elektriske komponenter, kemikalier eller bevægelige dele.

For at reducere risikoen for skader må der ikke bruges overdreven kraft og kablet må ikke knækkes. Undlad at indsætte inspektionskameraet og kablet i områder, hvor de kan komme i kontakt med ætsende eller olieagtige reststoffer.

Kablet må ikke bruges til at fjerne tilstopninger eller blokeringer. Dette er ikke nogen rørrenser!

Hvis afløbsrøret, som skal inspiceres, kan indeholde kemikalier, bakterier eller andre toksiske stoffer eller smitstoffer, skal du bruge de af producenten anbefalede beskyttelseshandsker, latex- eller gummihandsker samt beskyttelsesbriller, ansigtsværn, beskyttelsesbeklædning og åndedrætsmaske. Rørledninger kan indeholde kemikalier, bakterier og andre stoffer, som kan være toksiske eller smitsomme og fremkalde ætsninger eller andre alvorlige kvæstelser.

Overhold hygiejneforskrifterne. Undlad at spise og ryge, mens du bruger enheden. Efter håndtering eller brug af rørinspektionssystemet skal hænderne og andre kropsdele, som har været i berøring med rørets indhold, altid vaskes med varmt vand og sæbe. På den måde undgås sundhedsrisici på grund af kontakt med toksiske eller smitsomme stoffer.

Kontrollér kablet for tegn på slitage og skader før brug. Udskift et slidt eller beskadiget kabel, før du tager enheden i brug.

**FORSIGTIG!** Vær forsigtig, når du transporterer rørinspektionssystemet på ryggen ved hjælp af bæreanordningen. Du kan miste balancen.

Brug altid enheden med fornuft og omhu. Det er umuligt at forudse alle farlige situationer. Tag ikke enheden i brug, hvis du ikke forstår denne vejledning eller føler dig overbebyrdet af arbejdet. Kontakt Milwaukee eller en kvalificeret fagmand for yderligere information eller træning.

Undlad at fjerne mærkater og mærkeplader. Disse skilte indeholder vigtige informationer. Hvis infoskiltene ikke længere er læselige eller mangler, bedes du kontakte MILWAUKEE-kundeservice for at få tilsendt et nyt skilt gratis.

Støv fra slibe-, save- og boremaskiner eller andre byggeaktiviteter kan indeholde kemiske stoffer, som er kræftfremkaldende og som kan medføre fødselsdefekter eller skade forplantningsevnen. Eksempler på denne type kemiske stoffer er:

- Bly fra blybaseret maling,
- krystallinsk siliciumdioxid fra mursten, cement eller andre murprodukter samt
- arsen eller krom fra kemisk behandlet træ.

Risikoen for eksponering afhænger af, hvor ofte du udfører denne form for aktivitet. Arbejd altid i godt ventilerede områder for at reducere risikoen for eksponering så meget som muligt. Brug officielt godkendt beskyttelsesudstyr, f.eks. støvmaske med et mikropartikelfilter.

## 1.2 Yderligere sikkerheds- og arbejdsinformationer

Udskift aldrig batteriet, hvis overfladen på værktøjet er våd.

Brugte batterier må ikke brændes eller bortskaffes sammen med alm. husholdningsaffald. Milwaukee-forhandlere tilbyder miljøvenlig bortskaffelse af gamle batterier.

Batterier må aldrig opbevares sammen med metalgenstande (risiko for kortslutning).

Brug altid kun opladere fra M18-systemet til opladning af batterier til M18-systemet. Brug ikke batterier fra andre systemer.

Ved ekstrem belastning eller under ekstreme temperaturer kan beskadigede batterier lække batterivæske. I tilfælde af kontakt med batterivæsken, vask straks med vand og sæbe. I tilfælde af øjenkontakt, skyl straks med rigeligt vand i mindst 10 minutter og opsøg læge omgående.

**Advarsel!** For at undgå risiko for brand, personskade eller beskadigelse af produktet forårsaget af kortslutning må enheden, batteriet eller opladeren ikke nedsænkes i vand. Sørg ligeledes for, at der ikke trænger væske ind. Ætsende eller ledende væsker, f.eks. saltvand, bestemte kemikalier og blegemidler eller produkter, som indeholder blegemidler, kan forårsage kortslutning.

Denne enhed må ikke betjenes eller rengøres af personer, der har nedsatte fysiske, sensoriske eller mentale evner eller mangel på erfaring og viden, med mindre de har fået instruktion i sikker brug af enheden af en person, som rent lovmæssigt er ansvarlig for deres sikkerhed. Ovennævnte personer skal være under opsyn, når de bruger enheden. Børn må ikke have adgang til denne enhed. Hvis den ikke bruges, skal den derfor opbevares sikkert og utilgængeligt for børn.

### 1.3 Tekniske data

	M18 SIC36	M18 SIC60	M18 SISH
Kamerakabellængde .....	36 m.....	60 m	
Kamerahoved.....	Ø 25 mm.....	Ø 34 mm	
Maks. zoom.....	4x .....	4x	
Batterispænding .....			18 V
Vægt iht. EPTA-procedure 01/2014 (4.0 Ah / 12 Ah) .....	12,4 kg.....	20,46 kg.....	5,37 kg
Bluetooth-frekvensbånd .....			2402-2480 MHz
Højfrekvens effekt .....			1,8 dBm
Bluetooth-version .....			4.0 BT signal mode
Anbefalet temperatur under arbejdet .....		-18 .... +50 °C	
Anbefalede batterityper .....		M18B....; M18HB....	
Anbefalede opladere .....		M12-18C, M12-18AC, M12-18FC, M1418C6	

### 1.4 Tilsigtet anvendelse

Rørinspektionssystemet bruges til observation og inspektion af rørledninger. Systemet består af tre moduler:

#### - Rørinspektionstromle M18 SIC36 eller M18 SIC60

Rørinspektionstromlen bruges til udrulning og tilbagerulning og til styring af skubbekablet. Tromlerne fås i to størrelser: M18SIC36 til rør med en diameter på mellem 50 mm og 150 mm og den større model M18SIC60 til rør med en diameter på mellem 75 mm og 250 mm.

Begge tromler indeholder et skubbekabel med en fjederenhed, hvorpå det selvudlignende kamerahoved er monteret. Den trådløse monitor M18 SIM og Smart Hub M18 SISH kan bruges til begge tromler.

Begge tromler kan bruges både lodret og vandret. Der kan monteres en bæreanordning på bagsiden af M18 SIC36, som gør det muligt at bære tromlen på ryggen.

#### - Smart Hub M18 SISH

Smart Hub M18 SISH bruges til styring af rørinspektionssystemet.

Den trådløse M18 SIM-skærm eller den tablet, som Milwaukee®-rørinspektionsappen er installeret på, opretter forbindelse til Smart Hub M18 SISH, så den kan modtage videooptagelser og billeder. Både videoer og billeder gemmes på det interne drev i Smart Hub M18 SISH.

#### - Trådløs monitor M18 SIM (ikke inkluderet; kan købes separat)

Den trådløse monitor M18 SIM giver mulighed for at se de videoer, kameraet har optaget. Endvidere er det muligt at optage videoer og tage fotos samt afspille video- og billedfiler. Indtalte kommentarer kan optages via den interne mikrofon under videooptagelsen. Det er også muligt at tilføje kommentartekst via funktionen "Tags". Kommentarteksterne vises i den optagede video samt på fotos sammen med dato, klokkeslæt og længde på det udrullede kabel.

Produktet må ikke anvendes på anden måde og til andre formål end tilsigtet.

### 1.5 Krav til radiofrekvens i forbindelse med europæiske installationer

Bemærk: Dette produkt er testet og overholder grænseværdierne for en kategori 3-modtager i henhold til EN 300 440 V2.1.1.

Disse grænseværdier er sat for at give tilstrækkelig beskyttelse mod skadelig interferens i bygninger med boliger.

Denne enhed reagerer på andre enheder, der sender radiobølger i frekvensområdet mellem 2402 og 2480 MHz. Dette kan medføre funktionsfejl, når du bruger fjernbetjeningen. Det kan ikke udelukkes, at interferens kan komme til udtryk under visse omstændigheder. For at finde ud af, om denne enhed interfereres af radiosignaler fra andre enheder, skal du frakoble de andre enheder for at kontrollere, om interferensen derefter forsvinder. Følgende foranstaltninger kan hjælpe med at udbedre interferensen:

- Sluk for den interfererende kilde.
- Øg afstanden til den interfererende kilde.
- Kontakt forhandleren eller en kvalificeret radiotekniker.



## 1.6 EF-Overensstemmelseserklæring

Techtronic Industries GmbH erklærer herved, at radioudstyret M18SISH er i overensstemmelse med direktiv 2014/53/EU. EU-overensstemmelseserklæringens fulde tekst er tilgængelig på følgende internetadresse: <http://services.milwaukeeetool.eu>

## 1.7 ONE-KEY™

For at få mere at vide om værktøjets ONE-KEY funktion, bedes du læse den vedhæftede hurtigstart-vejledning eller besøge os på internettet på [www.milwaukeeetool.com/one-key](http://www.milwaukeeetool.com/one-key). Du kan downloade ONE-KEY app'en på din smartphone via App Store eller Google Play.

Hvis der opstår statisk elektricitet, bliver Bluetooth-forbindelsen afbrudt. I så fald skal forbindelsen genoprettes manuelt.

Produktet opfylder minimumskravene i henhold til EN 55014-2:2015 / EN 301489-1 V2.2.3 / EN 301489-17 V3.1.1.

### ONE-KEY™ indikator

Lyser blå: Den trådløse forbindelse er aktiv og kan indstilles via ONE-KEY™ app'en.

Blinker blå: Værktøjet kommunikerer med ONE-KEY™ app'en.

Blinker rødt: Værktøjet blev spærret af sikkerhedsgrunde og kan låses op af brugeren via ONE-KEY™ app'en.

## 1.8 Batterier

Batterier, der ikke har været brugt i lang tid, skal oplades inden brug.

En temperatur på over 50 ° C reducerer batteriets ydelse. Undgå langvarig opvarmning fra solen eller opvarmning.

Tilslutningskontakterne på oplader og batteri skal holdes rene.

For optimal levetid skal batteriet oplades helt efter brug.

For at sikre en så lang levetid som muligt skal batteriet tages ud af opladeren efter opladning.

Hvis batteriet skal opbevares i mere end 30 dage:

Batteriet skal opbevares tørt og ved en temperatur på maks. 27°C.

Batteriet skal opbevares med et batteriniveau på ca. 30%-50%.

Batteri skal genoplades hver 6. måned.

## 1.9 Transport af lithium-batterier

Lithium-batterier er omfattet af lovgivningen om transport af farligt gods.

Transporten af disse batterier skal ske under overholdelse af lokale, nationale og internationale regler og bestemmelser.

- Forbrugere må transportere disse batterier på offentlig vej uden restriktioner.
- Den kommercielle transport af lithium-batterier igennem speditønsfirmaer er omfattet af reglerne for transport af farligt gods. Forberedelsen af forsendelse og transport må kun udføres af tilsvarende trænedede personer. Den samlede proces skal følges af fagfolk.

Følgende punkter skal overholdes ved transport af batterier:

- Sørg for at kontakterne er beskyttet og isoleret for at forhindre kortslutninger.
- Sørg for, at batteriet ikke ligger løst i emballagen.
- Beskadigede eller lækkende batterier må ikke transporteres.

Kontakt dit speditønsfirma for at få yderligere oplysninger.

## 1.10 Vedligeholdelse

Brug kun Milwaukee tilbehør og reservedele. Komponenter, hvor det ikke er blevet beskrevet, hvordan de skal udskiftes, skal udskiftes igennem en af Milwaukee's kundeserviceafdelinger (se brochure garanti/kundeserviceadresser).

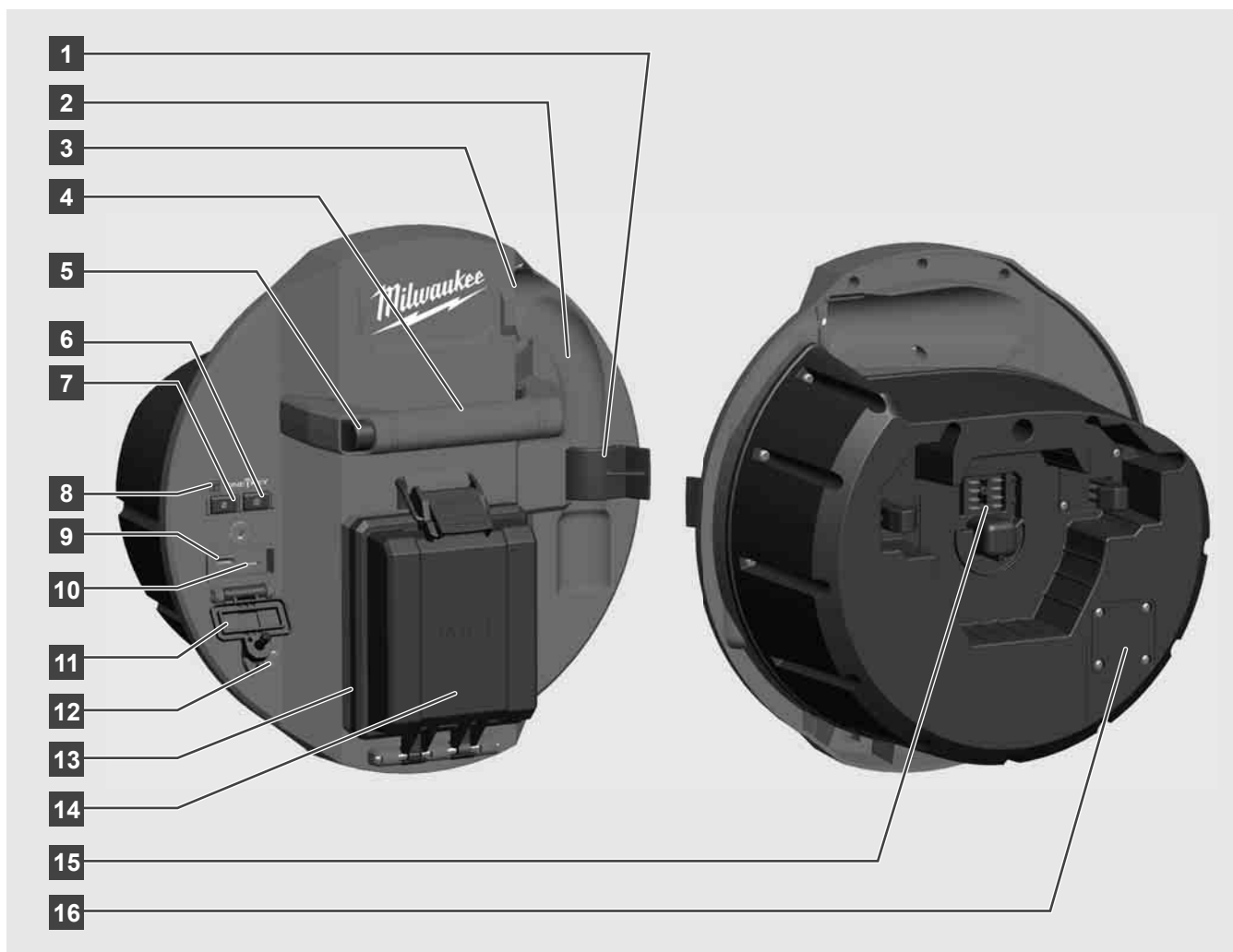
Hvis det er nødvendigt, kan der bestilles en eksploderet tegning af værktøjet hos din lokale kundeserviceafdeling eller direkte hos Techtronic Industries GmbH, Max-Eyth-Straße 10, 71364 Winnenden, Tyskland under angivelse af værktøjstype samt det sekscifrede nummer på mærkepladen.

## 1.11 Symboler

	VIGTIGT! ADVARSEL! FARE!
	Tag batteriet ud, før du udfører arbejde på enheden.
	Læs brugsanvisningen omhyggeligt, før enheden tages i brug.
	Brug beskyttelseshandsker!
	Bær altid sikkerhedsbriller, når du arbejder med enheden.
	Elektrisk udstyr eller batterier må ikke bortskaffes sammen med det almindelige husholdningsaffald. Elektrisk udstyr og batterier skal indsamles særskilt og afleveres til en genanvendelsesvirksomhed for miljøvenlig bortskaffelse. Spørg de lokale myndigheder eller din forhandler vedr. genbrugsstationer og indsamlingssteder til sådant affald.
	Spænding
	Jævnstrøm
	Europæisk konformitetsmærke
	Britisk overensstemmelsesmærkning
	Ukrainsk konformitetsmærke
	Eurasisk konformitetsmærke

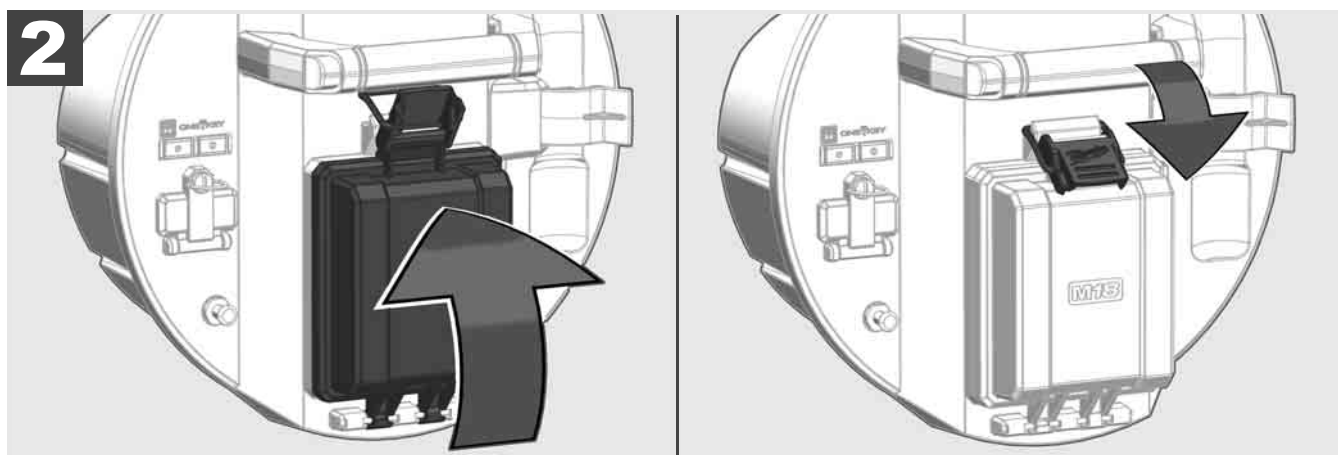
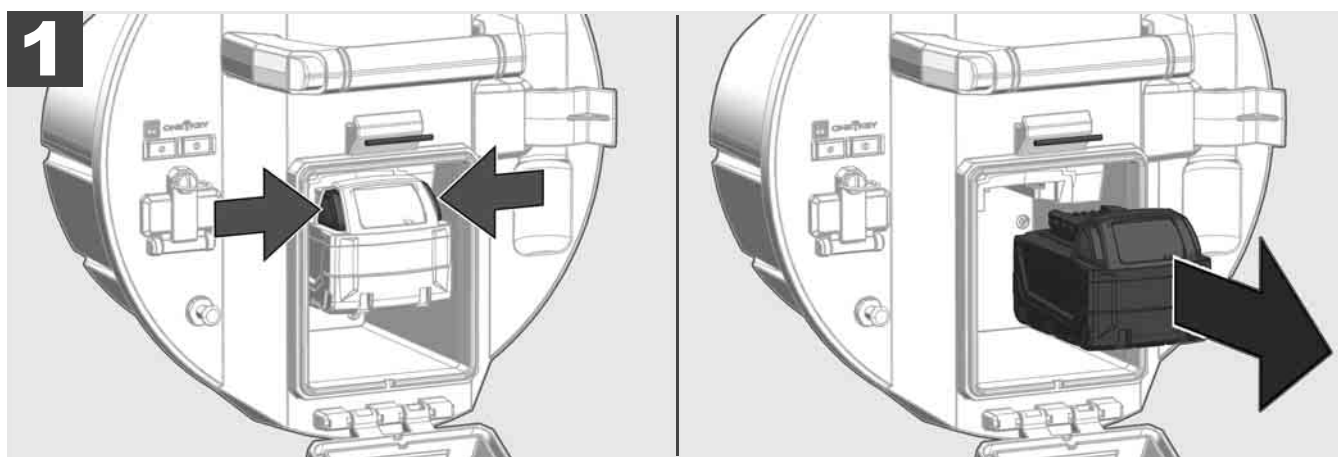
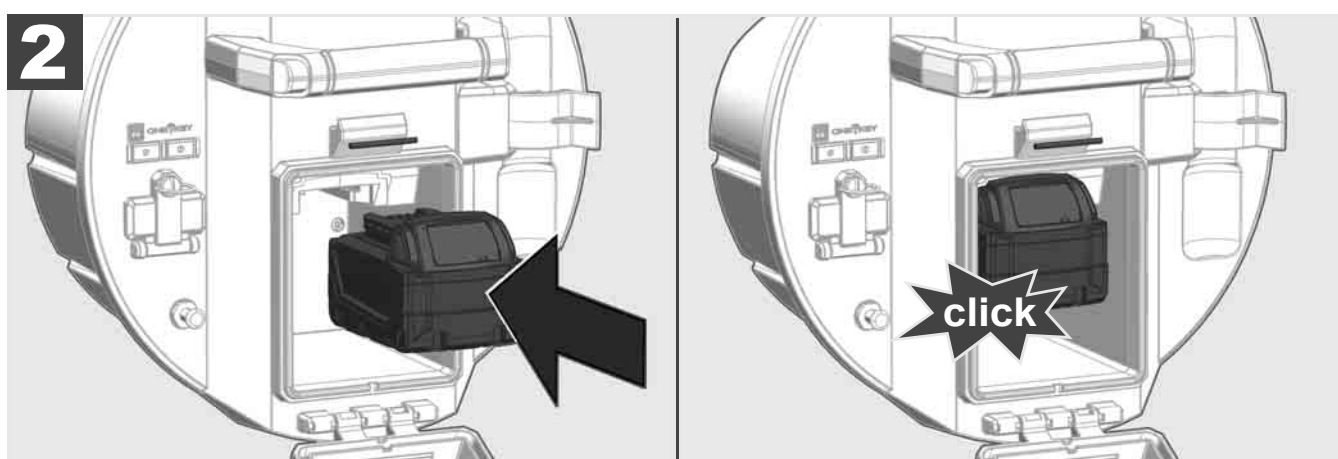
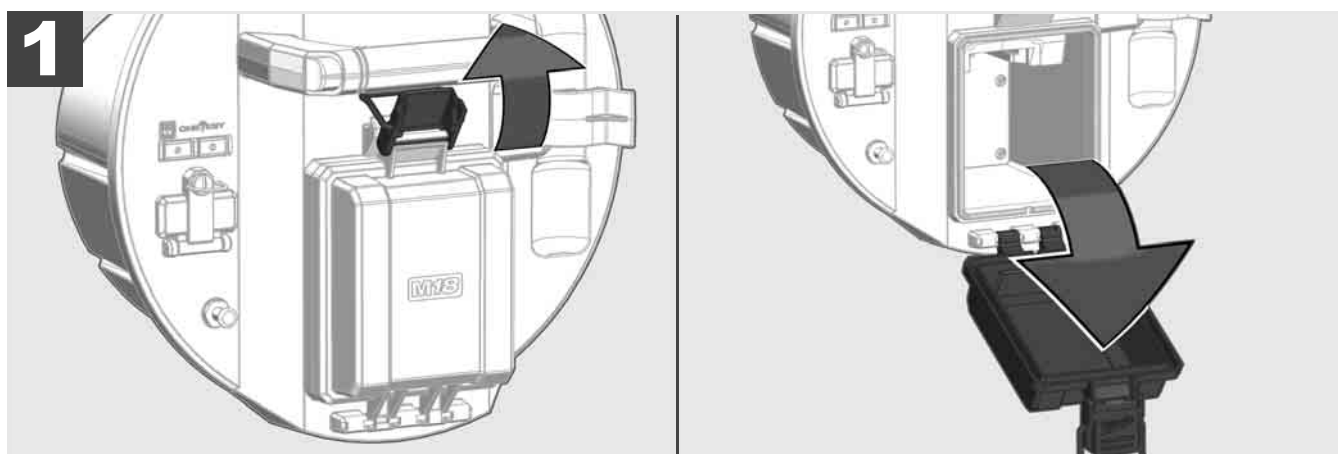
## 2 SMART HUB M18 SISH

### 2.1 Oversigt Smart Hub M18 SISH



- 1 Fjederclip – Til sikring af fjeder og kamera under transporten.
- 2 Fjederholder – Holder fjeder og kamera på plads under transport og opbevaring på stedet.
- 3 Kabelføring – Træk fjederen og skubbekablet igennem føringen, inden Smart Hubben klikkes på plads.
- 4 Håndtag
- 5 Oplåsningsknap – Tryk på denne knap for at frigøre Smart Hubben fra rørinspektionstromlen.
- 6 Hovedafbryder – Tryk én gang for at tænde for enheden; tryk og hold knappen nede for at slukke.
- 7 Knap nulstilling af kabellængde – Stiller længden på det udrullede kabel til nul.
- 8 ONE-KEY-LED-indikator
- 9 USB-A-port – Til direkte lagring af videoer og fotos samt til firmwareopdateringer.
- 10 USB-C-port – Valgfri strøm- og dataport til tilslutning af den trådløse monitor M18 SIM til Smart Hub.
- 11 USB-portdæksel – Vandtæt dæksel, der beskytter USB-portene mod støv og fugt.
- 12 Jordingsstang – Til jording af Smart Hubben i forbindelse med sporing af skubbekablet.
- 13 Batteridæksel – Vandtæt dæksel, der beskytter batteriet mod støv og fugt.
- 14 Batterirum – Til M18™ batteri
- 15 Port til tilslutning af Smart Hub og rørinspektionstromle.
- 16 Kamera-testport – Til fejlfinding i forbindelse med problemer med kamerahovedet

## 2.2 Isætning og udtagning af batteri



## 2.3 Kontrol af batteriniveau



78-100 %



55-77 %



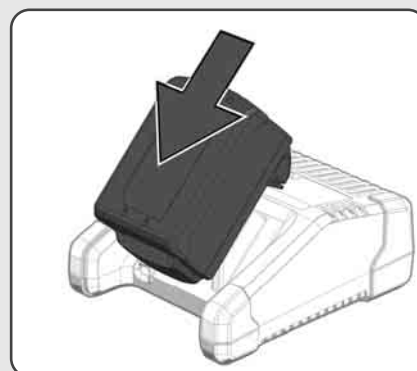
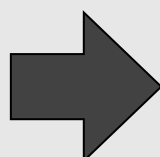
33-54 %

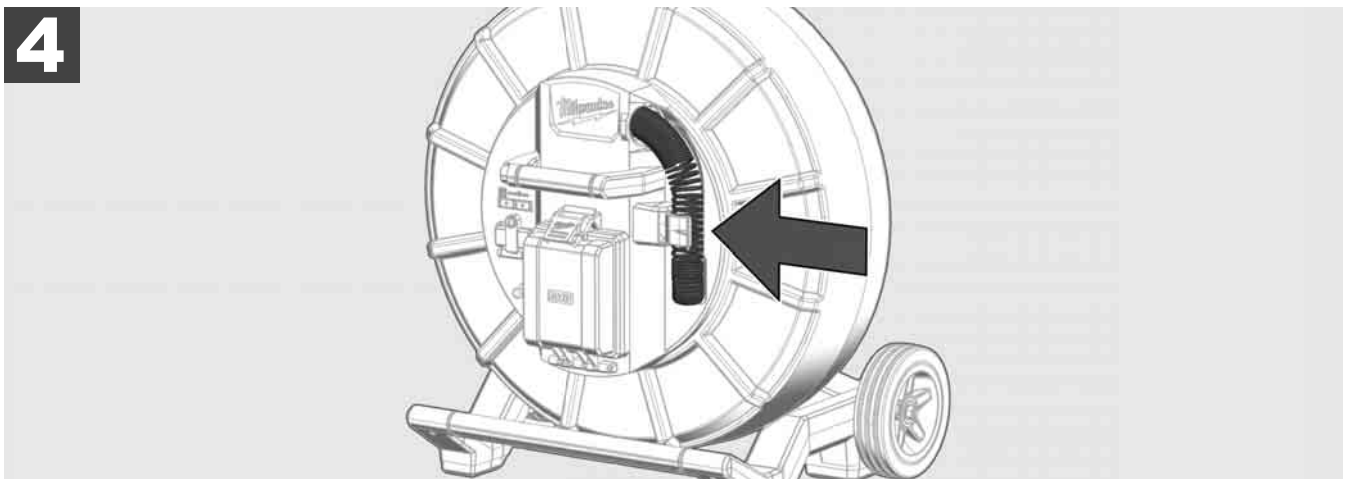
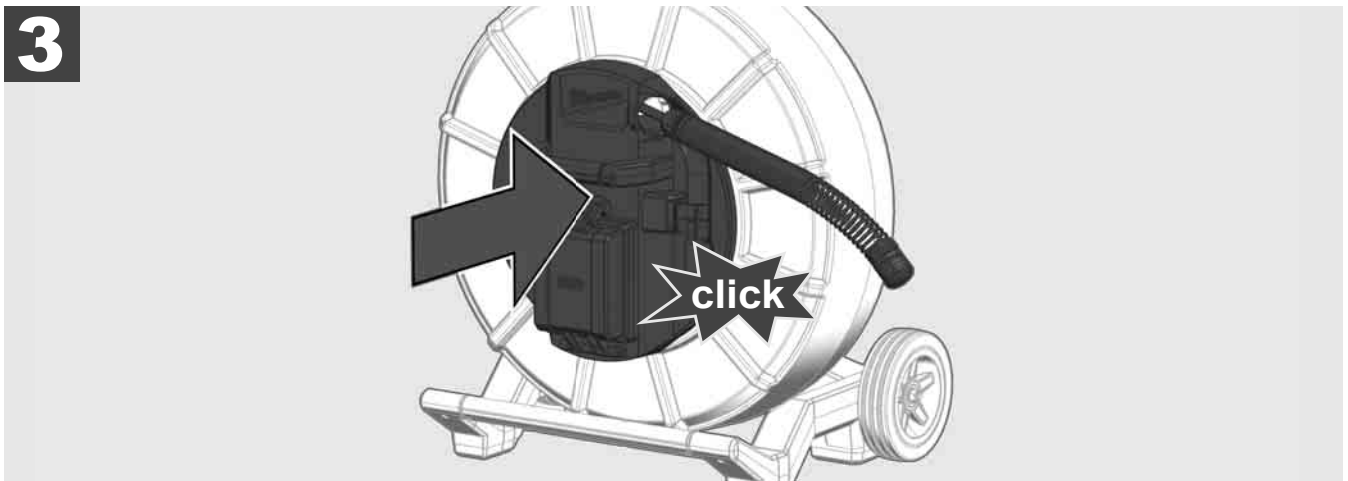
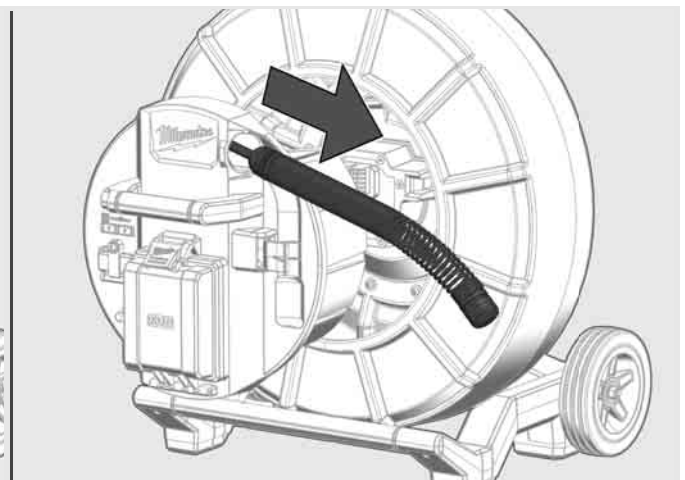
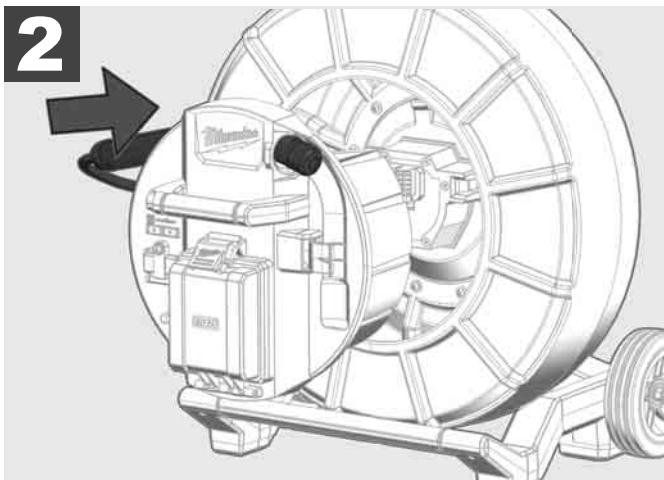
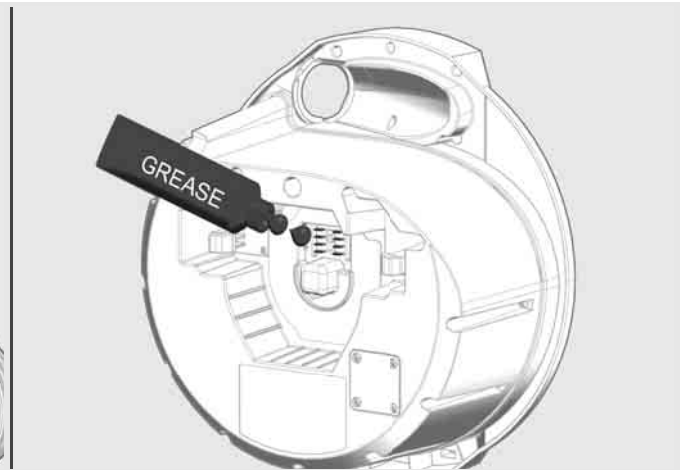
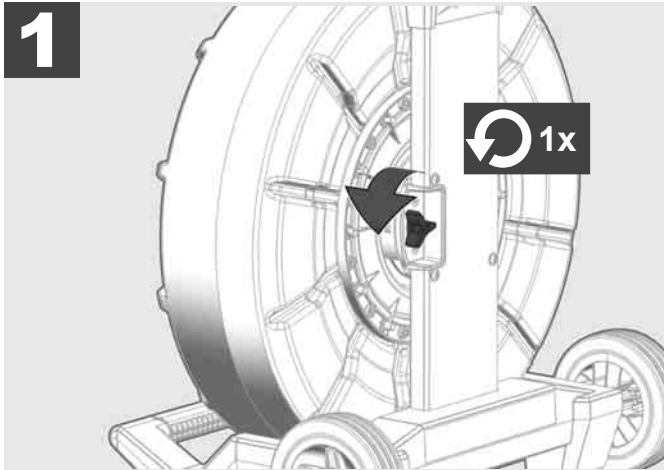


10-32 %



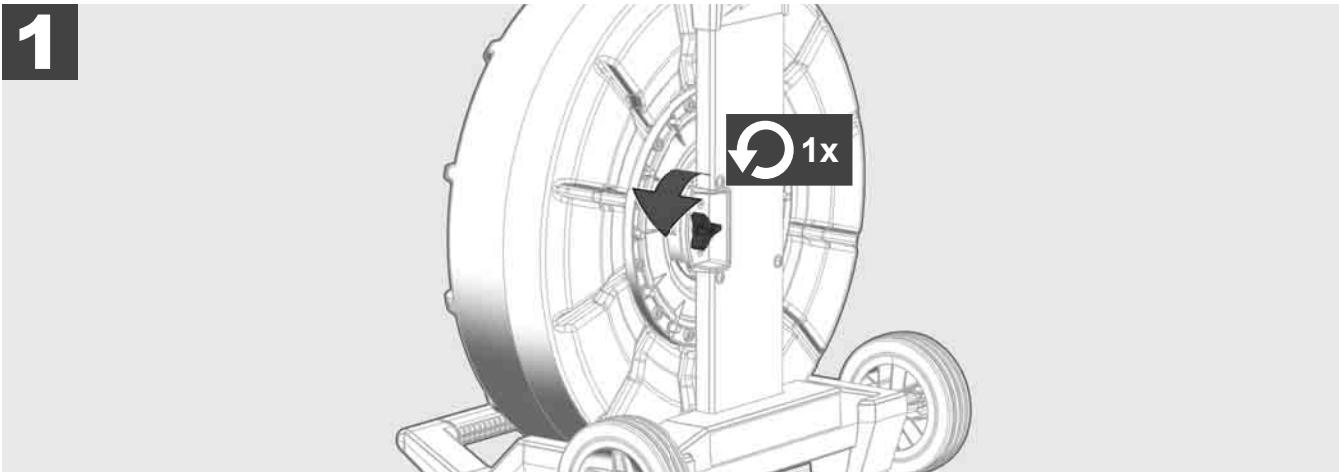
< 10 %



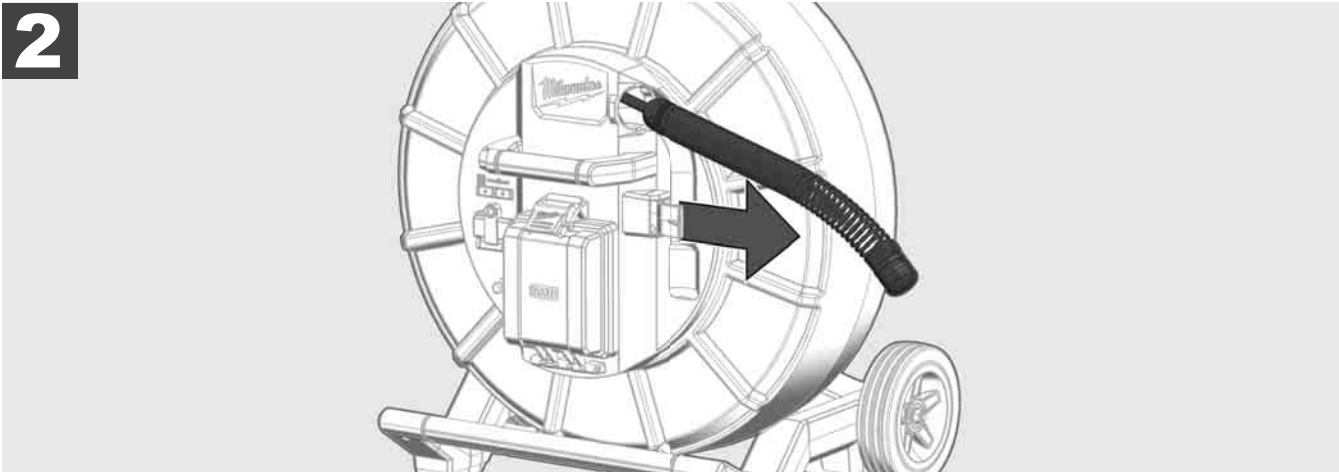




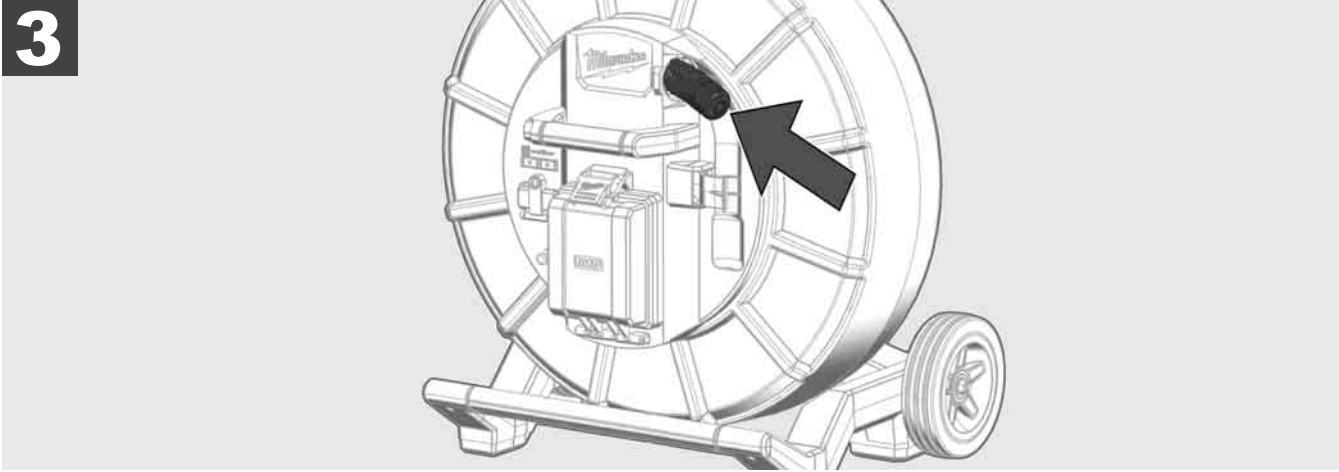
**1**



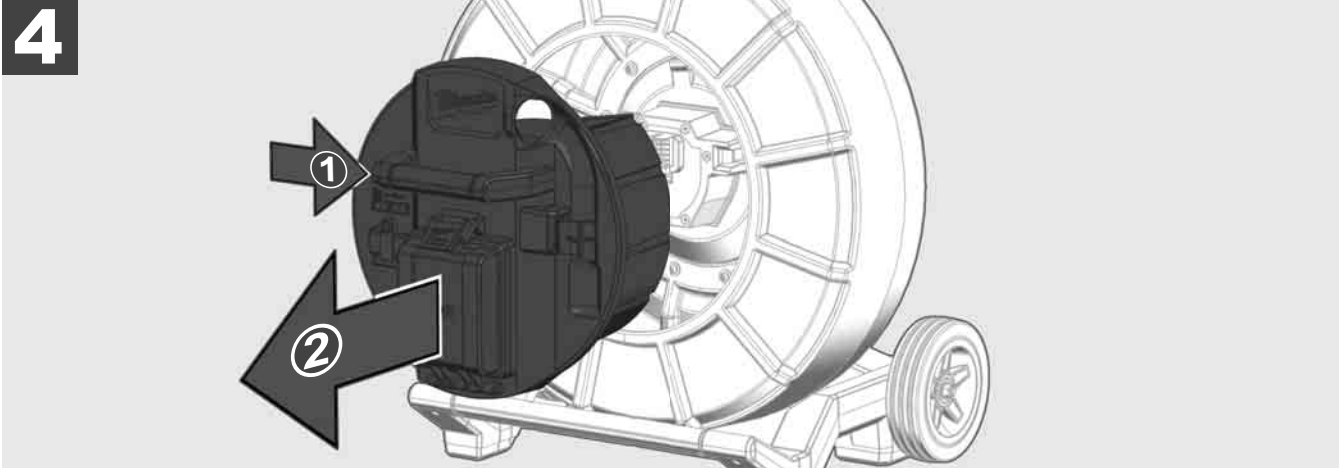
**2**



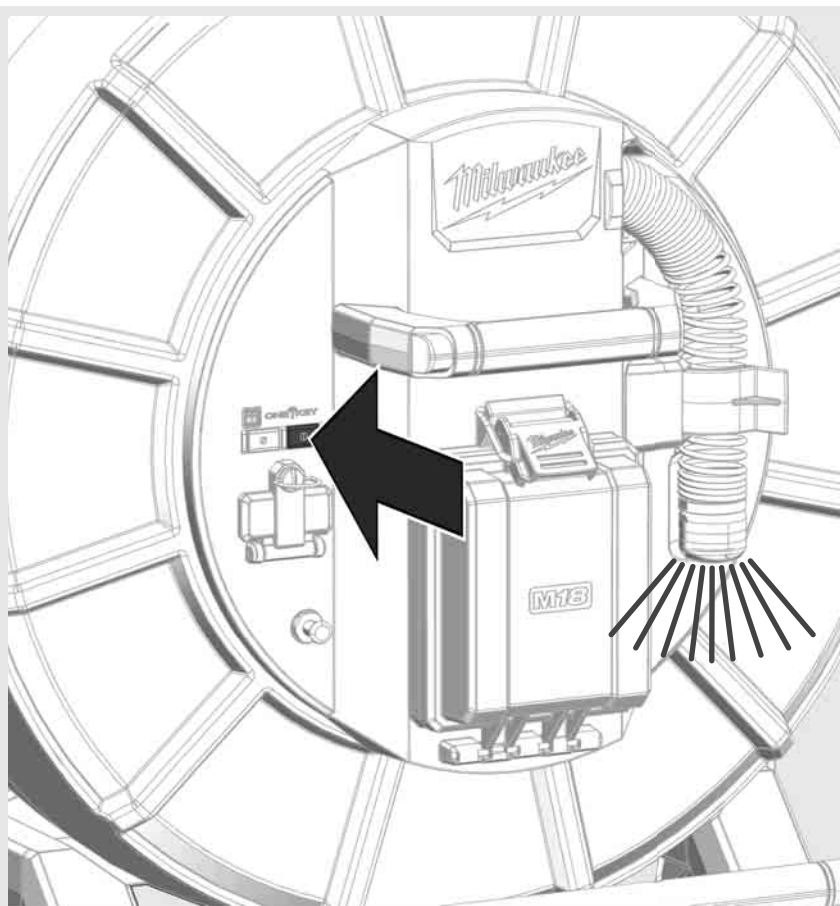
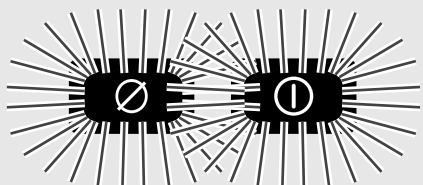
**3**



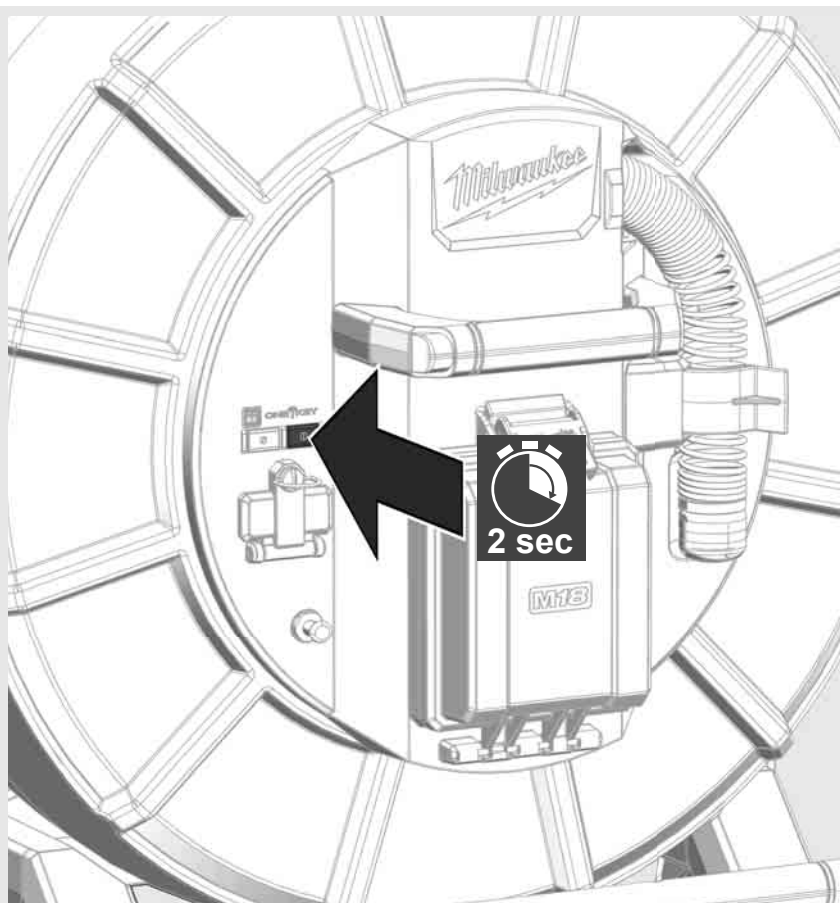
**4**



# ON



# OFF





## 2.7 Tilslutning af skærm

Der kræves en ekstern skærmenhed for at ændre indstillingerne for RØRINSPEKTIONSSYSTEMET, kontrollere dets funktioner og for at få vist de billeder og videoer, der er taget med kameraet.

Den eksterne skærmenhed er ikke inkluderet i RØRINSPEKTIONSSYSTEMET og skal købes separat.

Der er følgende muligheder:

- MILWAUKEE TRÅDLØS MONITOR M18 SIM
- MILWAUKEE RØRINSPEKTIONS-APP på tablet eller smartphone

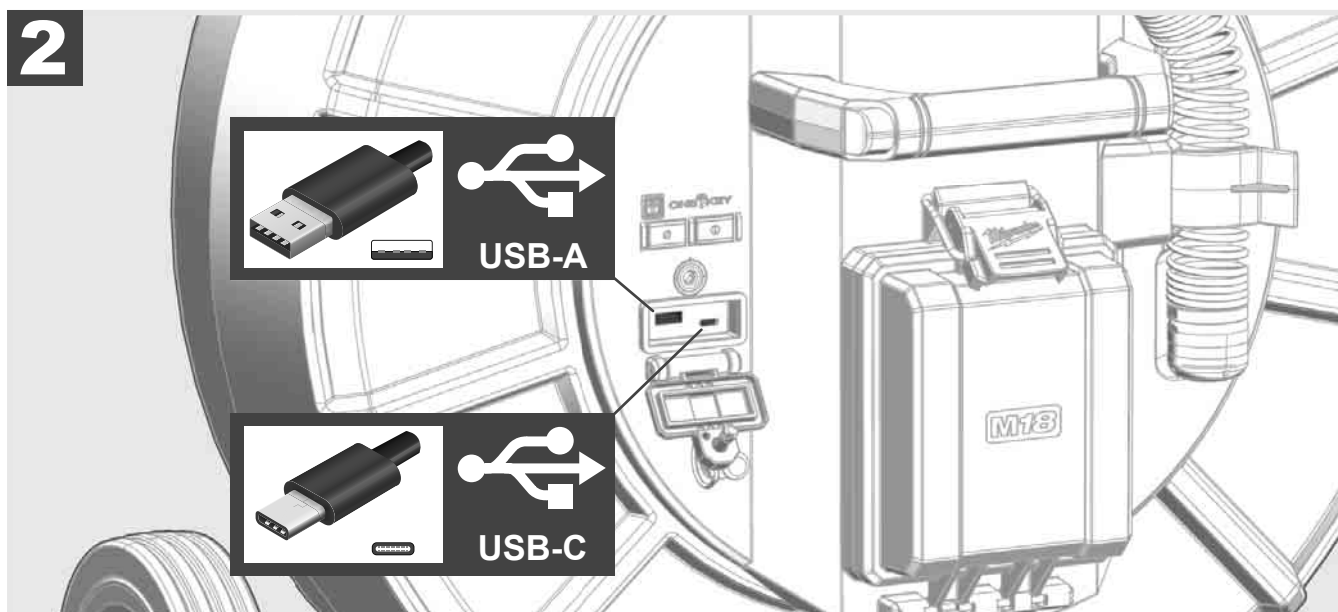
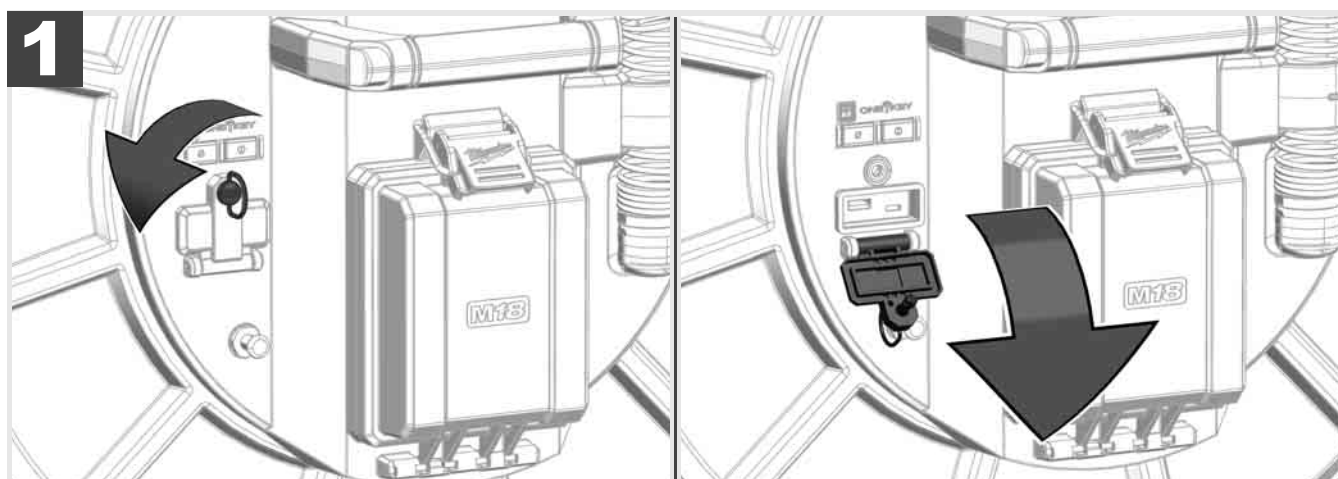
Den TRÅDLØSE MONITOR tilsluttes RØRINSPEKTIONSSYSTEMET via WiFi eller USB-C-port og er straks klar til brug. Hvis du bruger en tablet eller en smartphone, skal du først installere MILWAUKEE RØRINSPEKTIONS-APP'en på den pågældende enhed.

### **FØRSTE GANG TRÅDLØS MONITOR M18 SIM bruges:**

1. Tænd for SMART HUBBEN og den TRÅDLØSE MONITOR.
2. Den TRÅDLØSE MONITOR opretter automatisk forbindelse til SMART HUBBEN inden for 25 sekunder.  
\*Ved brug af kabel skal du tilslutte monitoren til Smart Hubben vha. USB-C-kablet.

### **FØRSTE GANG SMARTPHONE ELLER TABLET bruges:**

1. Download og installer MILWAUKEE RØRINSPEKTIONS-APP'en.
2. Tænd for SMART HUBBEN og skærmenheden.
3. Vælg indstillingen > WiFi.
4. Vælg indstillingen MTCAM\_ [LAST 9 DIGITS OF HUB SERIAL #].
5. Indtast adgangskode: 29702000
6. Start MILWAUKEE RØRINSPEKTIONS-APP'en.

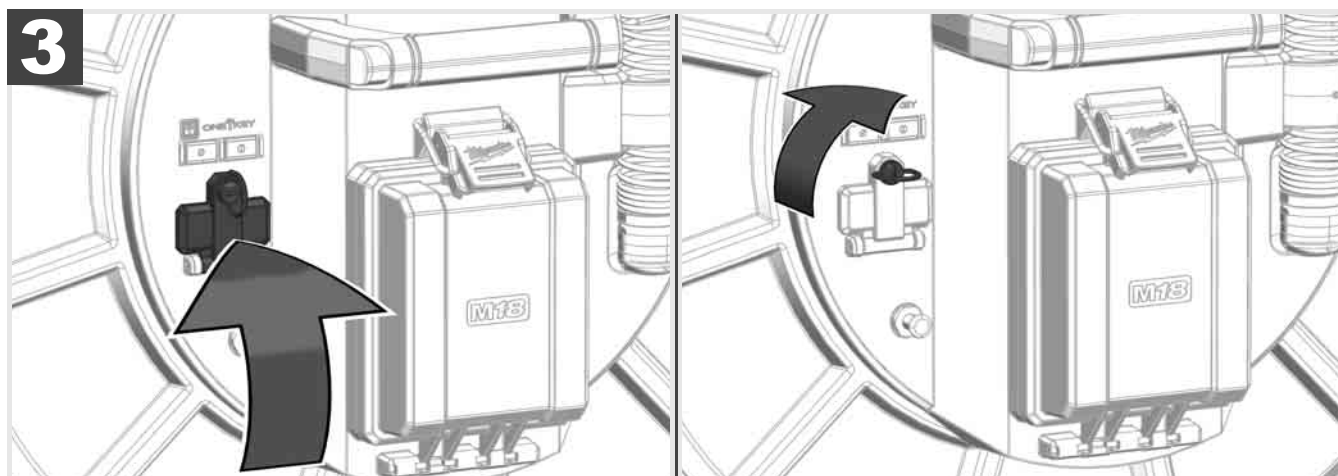


### USB-A

- Port til normal brug. Giver mulighed for live-optagelse af video- og billedfiler samt overførsel af disse fra det interne Smart Hub-drev.
- Mulighed for firmwareopdateringer på Smart Hubben.

### USB-C

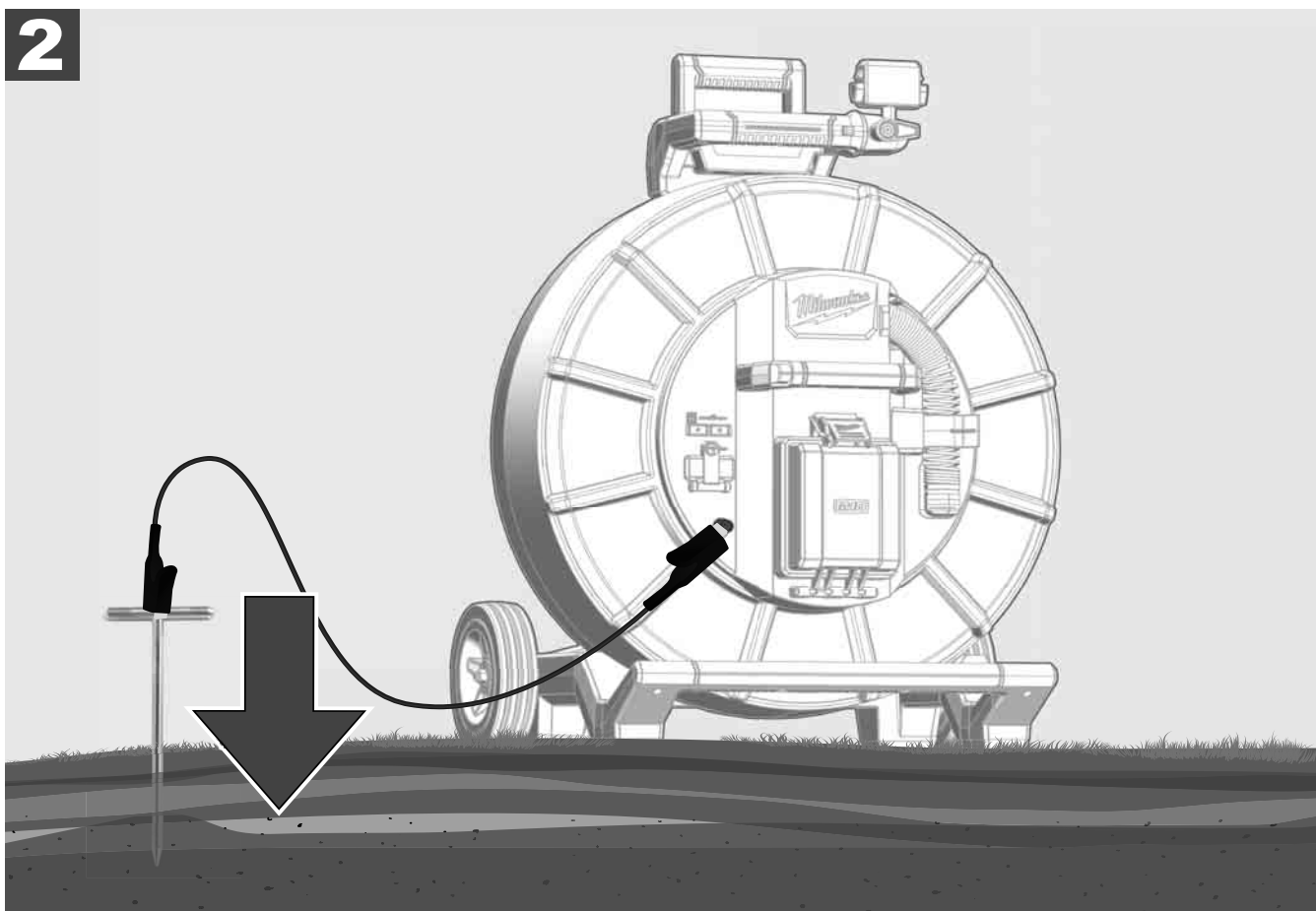
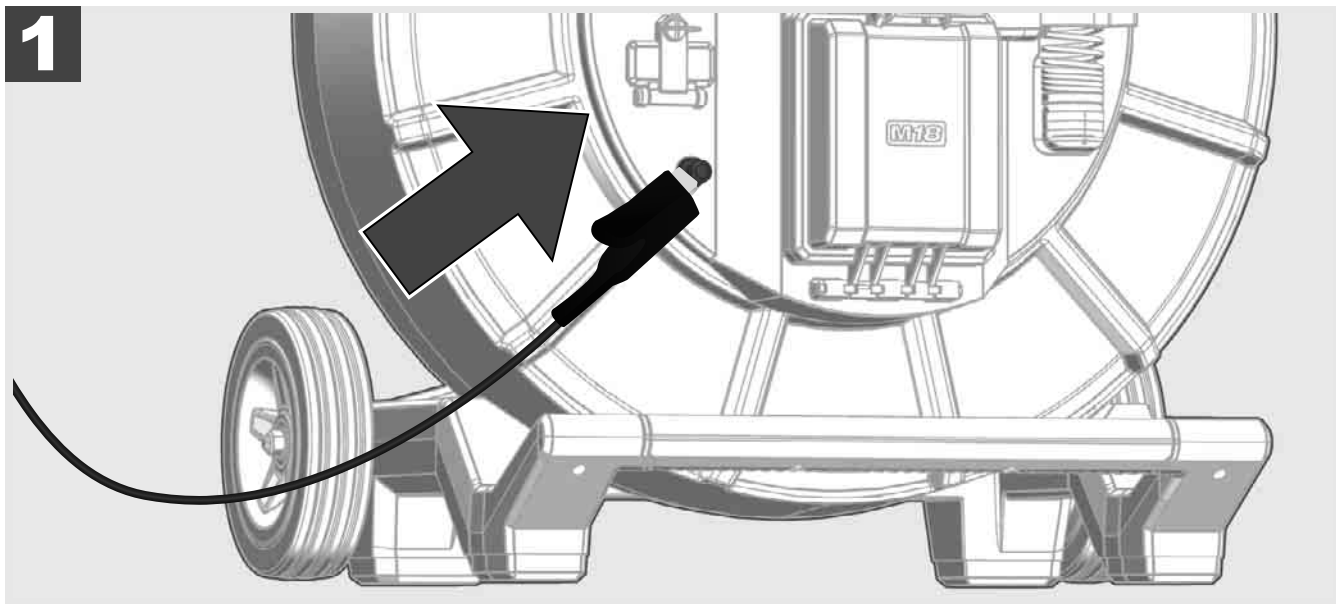
- Mulighed for oprettelse af forbindelse mellem den trådløse monitor M18 SIM og Smart Hubben uden WiFi-forbindelse.  
Strømforsyning til Smart Hubben via den trådløse skærm M18 SIM eller omvendt, hvis batteriet ikke er opladet.



## 2.9 Jordingsstang



Jordingsstangen skal altid bruges, når skubbekablet spores ved hjælp af funktionen KABELSPORING. Smart Hubben skal være jordet, så strømsløjfen lukkes og der sendes et godt navigationssignal. Det medfølgende jordingskabel og jordingsstang skal bruges til at jorde Smart Hubben.

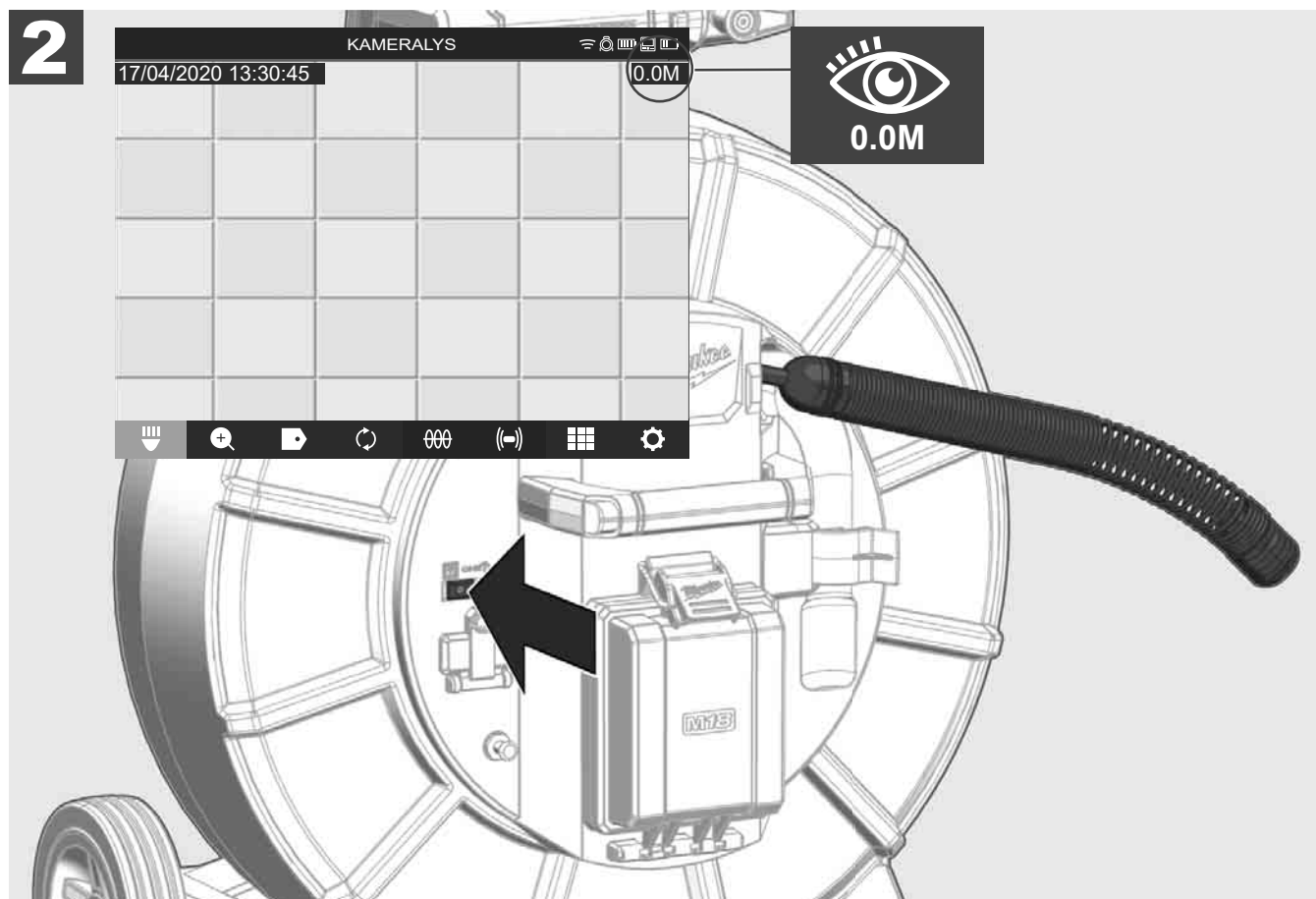
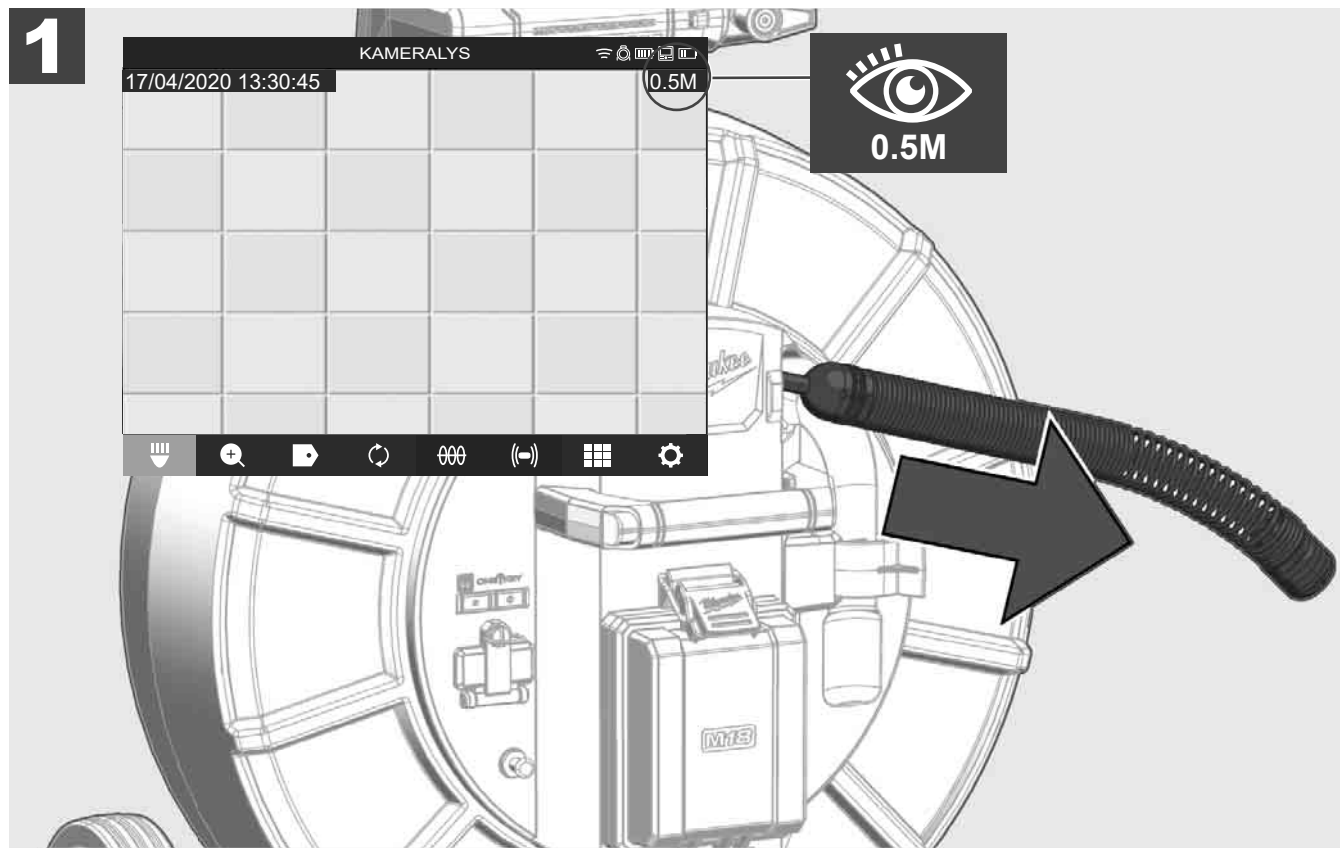


## 2.10 Nulstilling af længdetæller



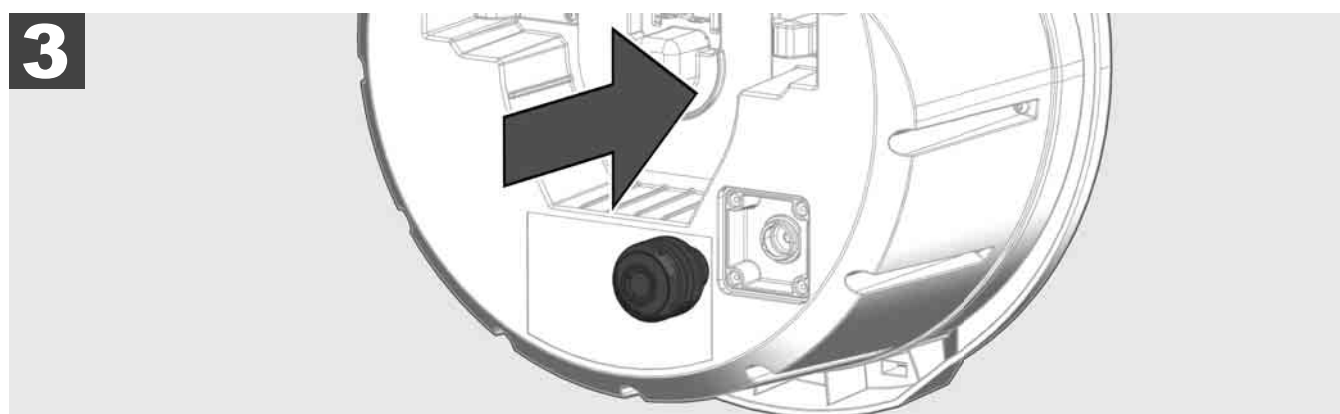
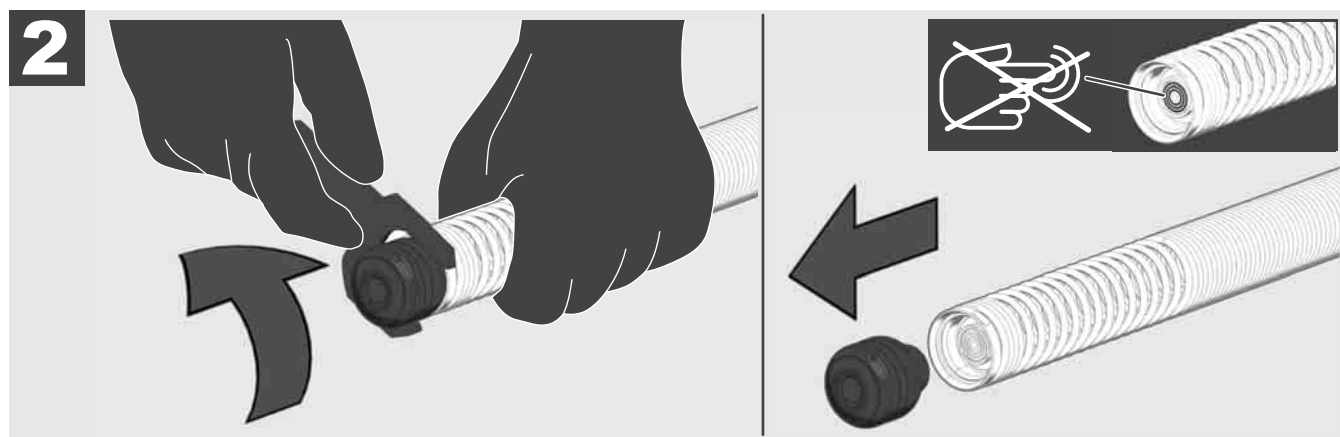
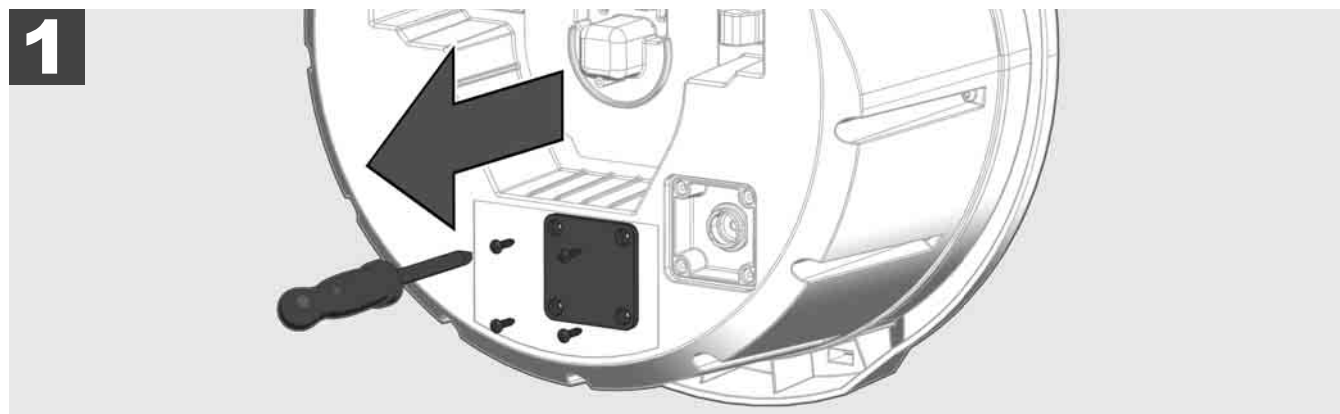
Når RØRINSPEKTIONSTROMLEN rulles ud, vises længden på det udrullede kabel på den trådløse M18 SIM monitors statuslinje.

Tryk på knappen  for at nulstille visningen.



## 2.11 Kamera-testport


Hvis der er problemer med kamerahovedet, er det muligt at kontrollere kameraet via testporten.

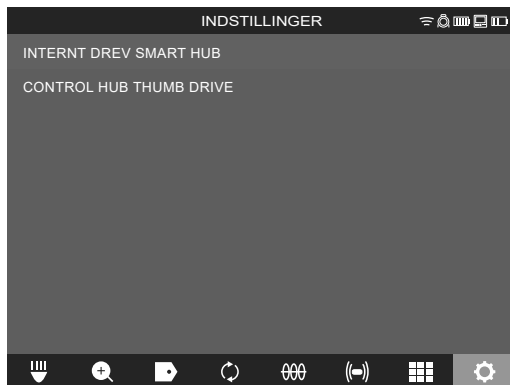


## 2.12 Formatering af internt drev og USB-stik

Med denne funktion kan du formatere USB-sticken eller det interne 500-GB-drev i Smart Hubben.

USB-stick skal formateres i FAT32-format.

1. Vælg **INDSTILLINGER**  → **FORMATER HUKOMMELSE**
2. Vælg hukommelse.



3. Bekræft meddelelsen på skærmen.




Det valgte drev formateres og systemet vender tilbage til menuen **INDSTILLINGER**.

## 2.13 Fabriksindstillinger

Hvis funktionen fabriksindstillinger vælges, bliver Smart Hub M18 SISH nulstillet til de værdier, der er indstillet på fabrikken.

Følgende Smart Hub M18 SISH-indstillinger nulstilles:

- TAGS slettes.
- VIDEO- og BILLEDE-indstillinger nulstilles til 1080 P.
- FIRMANAVNET slettes.
- SONDE-frekvensen nulstilles.
- KABELSPORING nulstilles til fabriksindstillingen.
- SKÆRMINDSTILLINGERNE nulstilles til fabriksindstillingen: Nuance, lysstyrke, kontrast, mætning.
- MÅLEENHEDER

1. Vælg **INDSTILLINGER**  → **FABRIKSINDSTILLINGER**



2. Vælg **FABRIKSINDSTILLINGER** Smart Hub M18 SISH.



3. Læs og bekræft Reset-meddelelsen med OK.



Nulstilling til fabriksindstillinger er udført, og systemet vender tilbage til undermenuen **FABRIKSINDSTILLINGER**.

## 2.14 Systemopdatering

Før systemopdateringen skal du åbne menuen **INDSTILLINGER** → **INFO** og notere dig den aktuelle firmwareversion.

Firmwareopdateringer kan udføres via den trådløse M18 SIM-monitor eller en tablet vha. Milwaukee®-rørinspektionsappen.

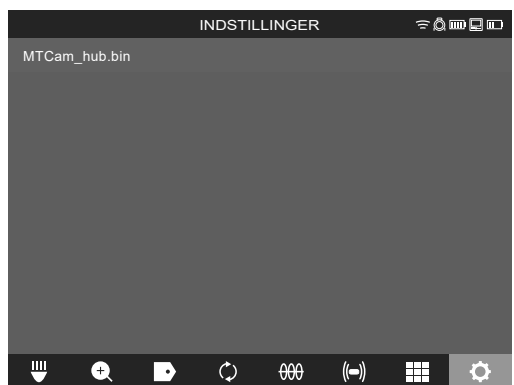
1. Tænd for Smart Hub M18 SISH og den trådløse skærm M18SIM eller tabletten via Milwaukee® rørinspektionsappen.
2. Sørg for, at den trådløse monitor M18 SIM eller tablet er tilsluttet M18 SISH Smart Hub via WiFi. Hvis der ikke er WiFi-forbindelse, skal denne oprettes.
3. Indsæt USB-sticken med firmwareopdateringen i USB-A-porten på Smart Hub M18 SISH.
4. Vælg **INDSTILLINGER** → **SYSTEMOPDATERING**



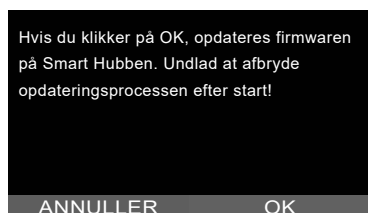
5. Vælg Smart Hub M18 SISH.



6. Filnavnet for opdateringen vises på skærmen. Vælg **FILNAVN** for at starte opdateringen.

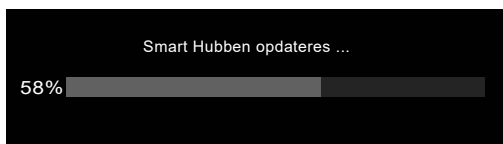


7. Læs og bekræft advarslen med OK.





8. Opdateringens forløb vises på en statusbjælke.



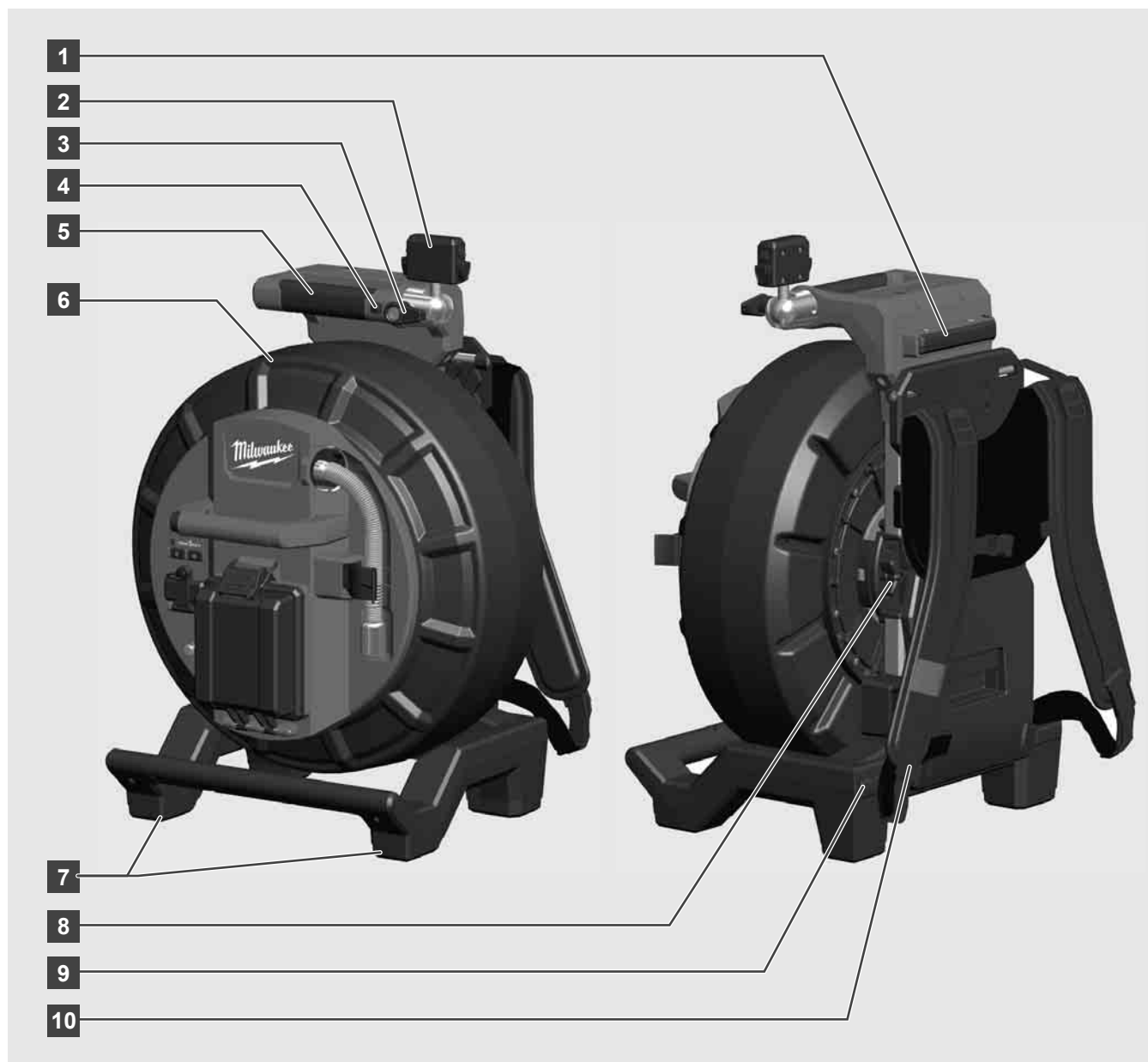
9. Når opdateringen er fuldført, vises en meddelelse, som skal bekræftes. Vælg OK for at genstarte systemet.



10. Vælg INDSTILLINGER → INFO for at kontrollere, om firmwareversionen er blevet opdateret.

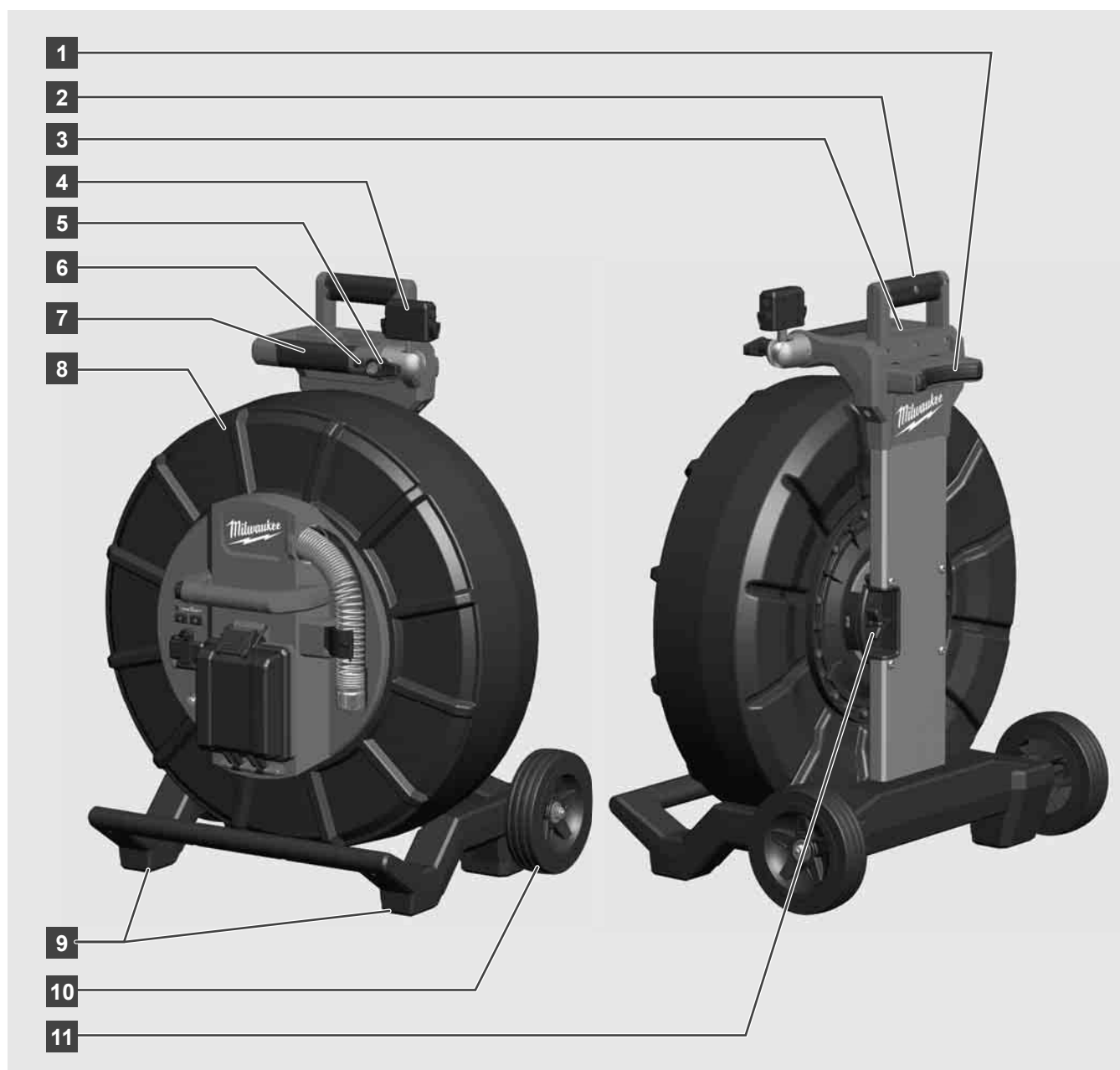
### 3 RØRINSPEKTIONSTROMLER

#### 3.1 Oversigt rørinspektionstromle M18 SIC36



- 1 Nivelleringsfod til horisontal brug
- 2 Trådløs monitor M18 SIM – Tabletholder og tilslutning
- 3 Trådløs monitor M18 SIM – Rotationslås
- 4 Trådløs monitor M18 SIM – Vippelås
- 5 Håndtag
- 6 Kabeltromle med skubbekabel
- 7 Nivelleringsfod til vertikal brug
- 8 Kabeltromlebremse
- 9 Nivelleringsfod til horisontal brug
- 10 Bæreanordning

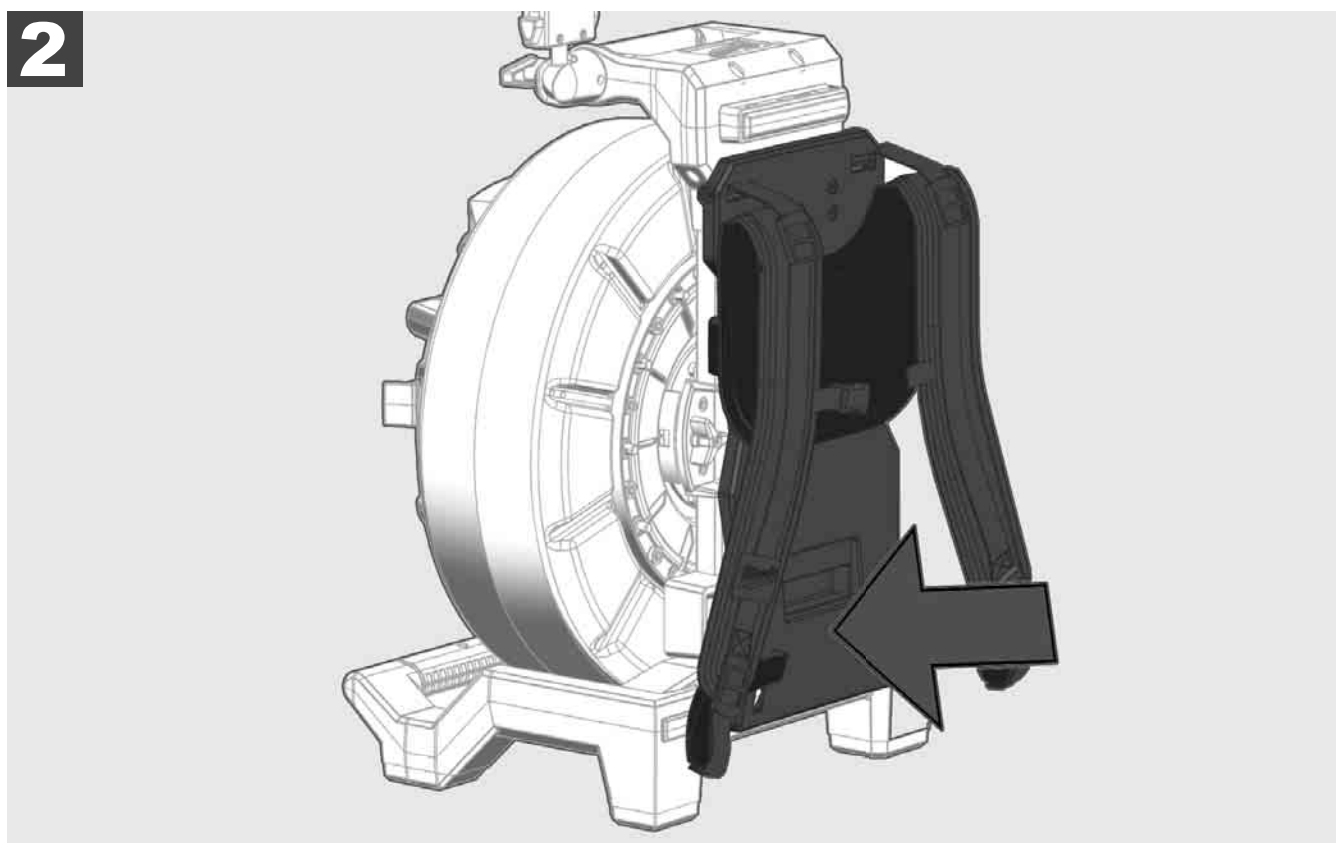
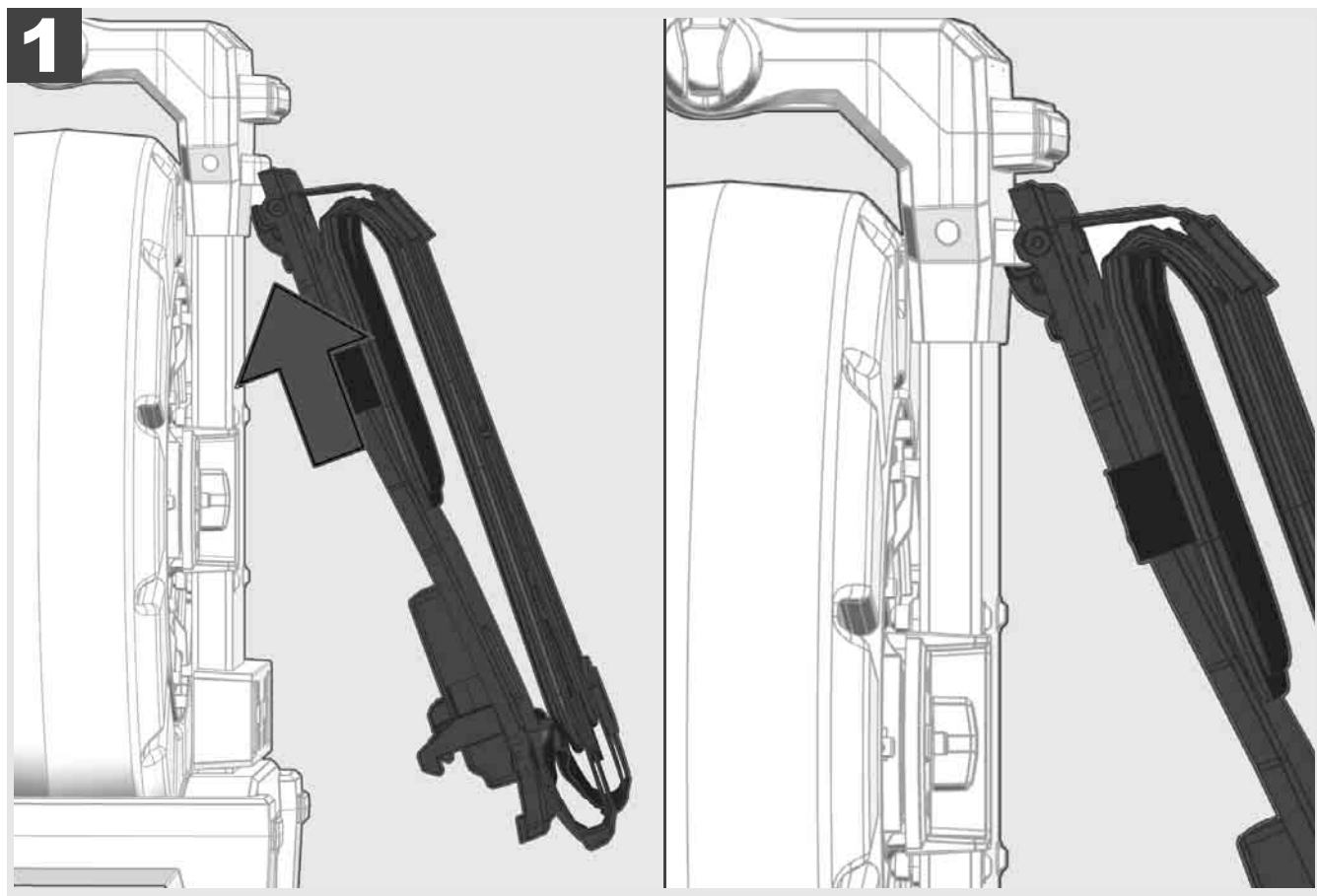
### 3.2 Oversigt rørinspektionstromle M18 SIC60



- 1 Nivelleringsfod til horisontal brug
- 2 Håndtag, som kan trækkes ud (vist i tilbagetrukket position)
- 3 Knap til at låse og løsne udtrækshåndtaget
- 4 Trådløs monitor M18 SIM – Holder / tabletholder og tilslutning
- 5 Trådløs monitor M18 SIM – Rotationslås
- 6 Trådløs monitor M18 SIM – Vippelås
- 7 Håndtag
- 8 Kabeltromle med skubbekabel
- 9 Nivelleringsfod til vertikal brug
- 10 Hjul
- 11 Kabeltromlebremse

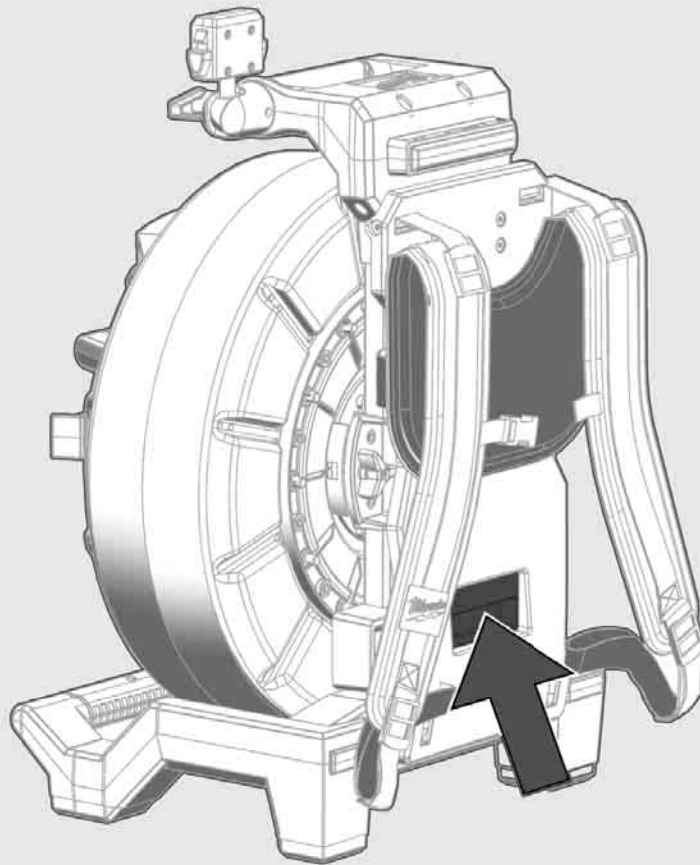
### 3.3 Installering af bæreanordning

RØRINSPEKTIONSTROMLEN M18 SIC36 er udstyret med en bæreanordning, så tromlen kan bæres som en rygsæk på ryggen. På den måde kan tromlen nemt transporteres hen til det sted, hvor den skal bruges, hvilket er ret smart, hvis man skal op og ned ad trapper eller i forbindelse med brug af stige.

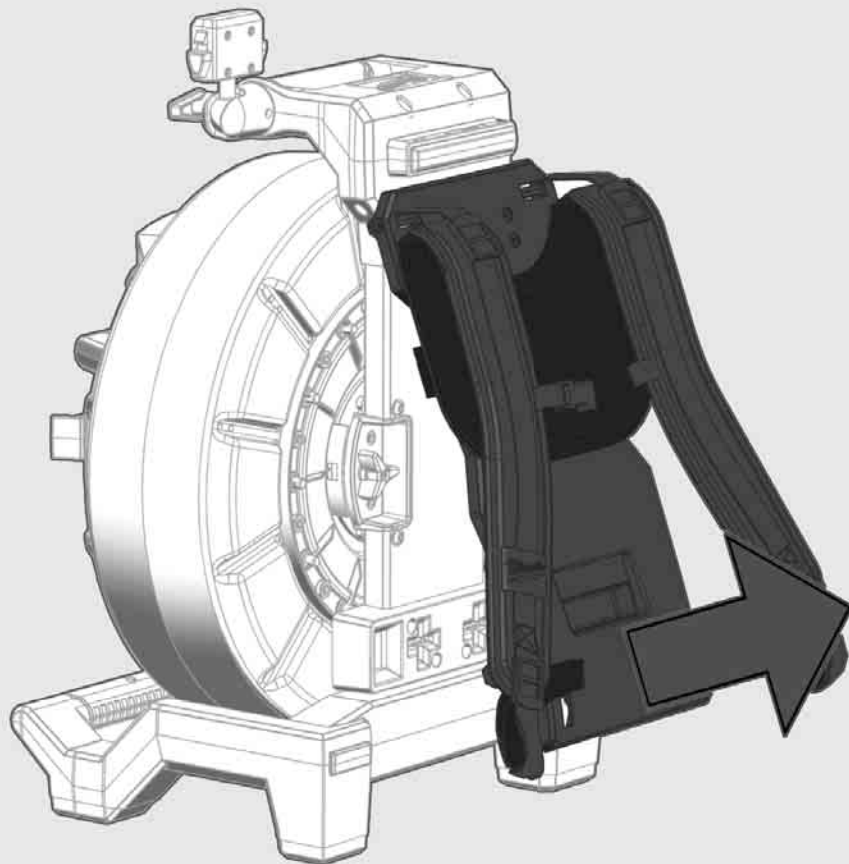


Fastgør bæreanordningen øverst og tryk håndbalden mod undersiden, indtil bæreanordningen klikker på plads. Træk kort i bæreanordningen for at sikre, at den er klikket på plads.

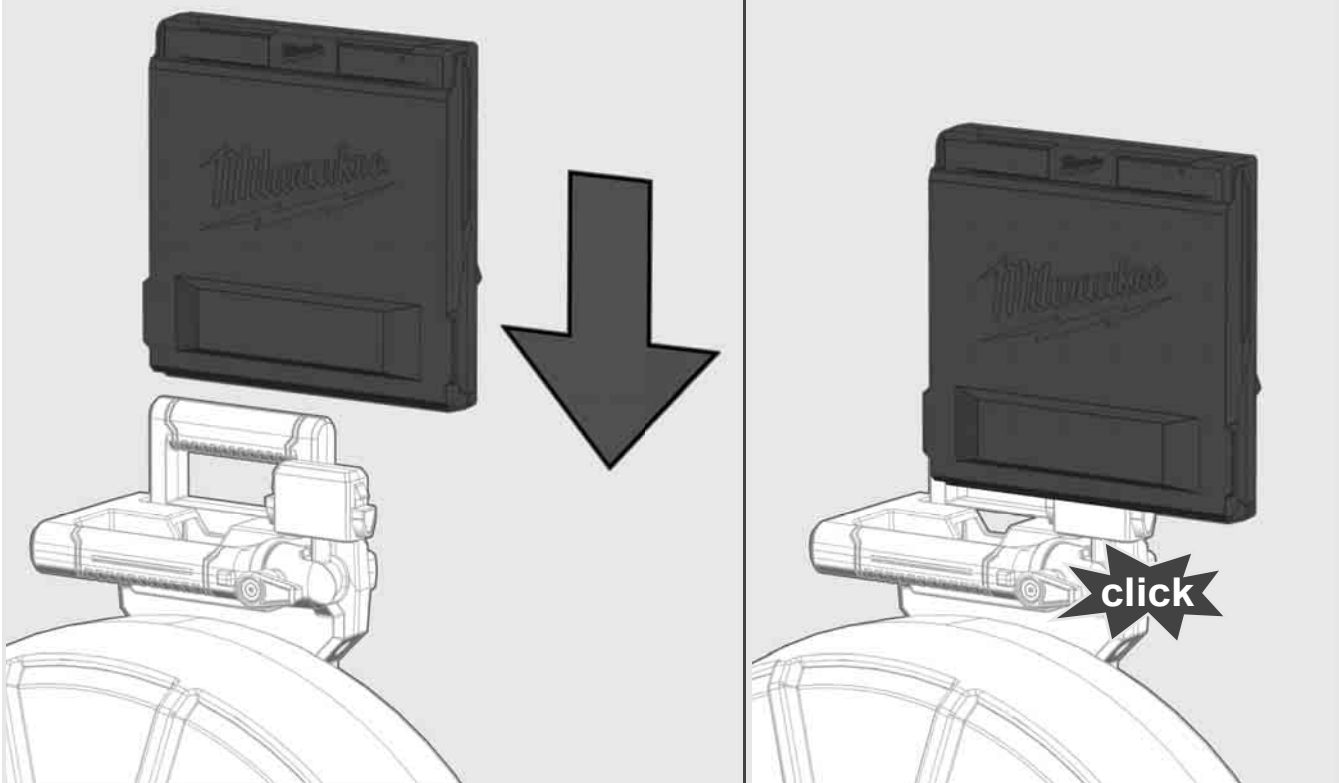
**1**



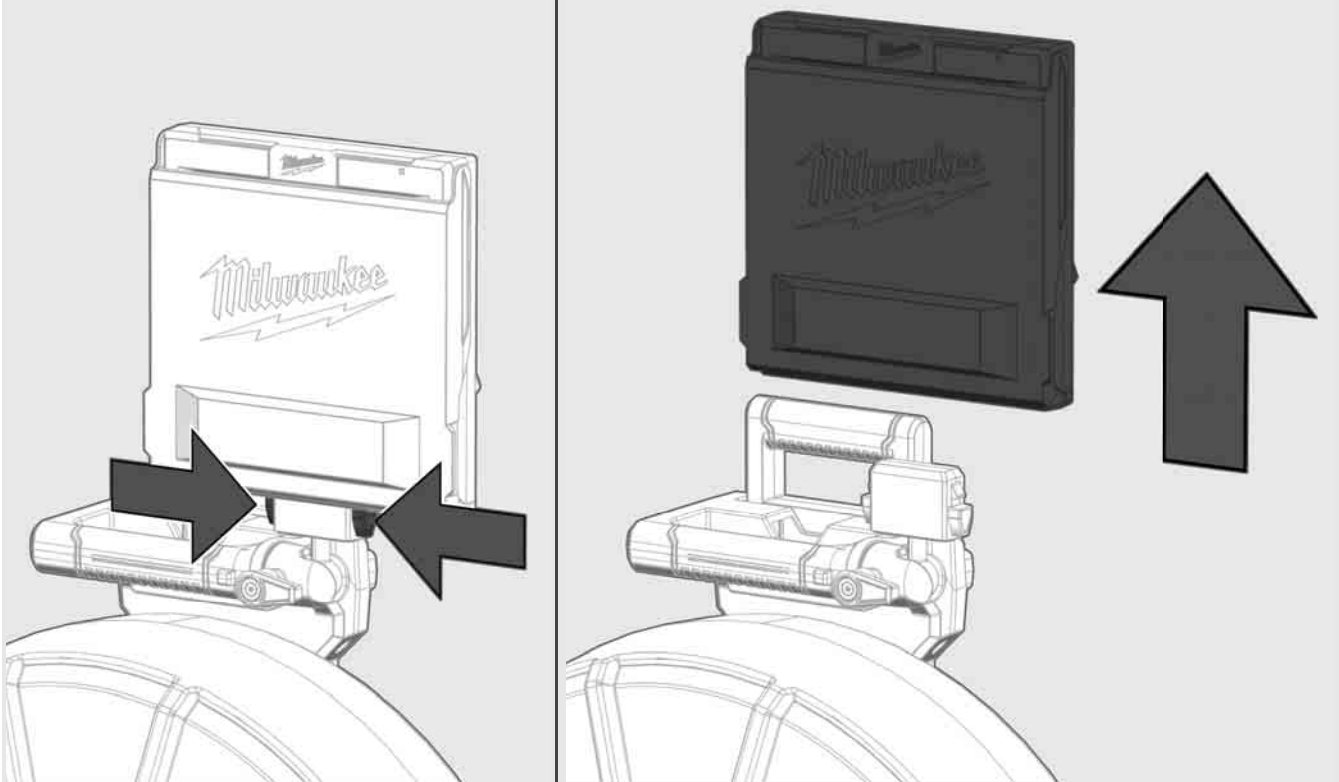
**2**

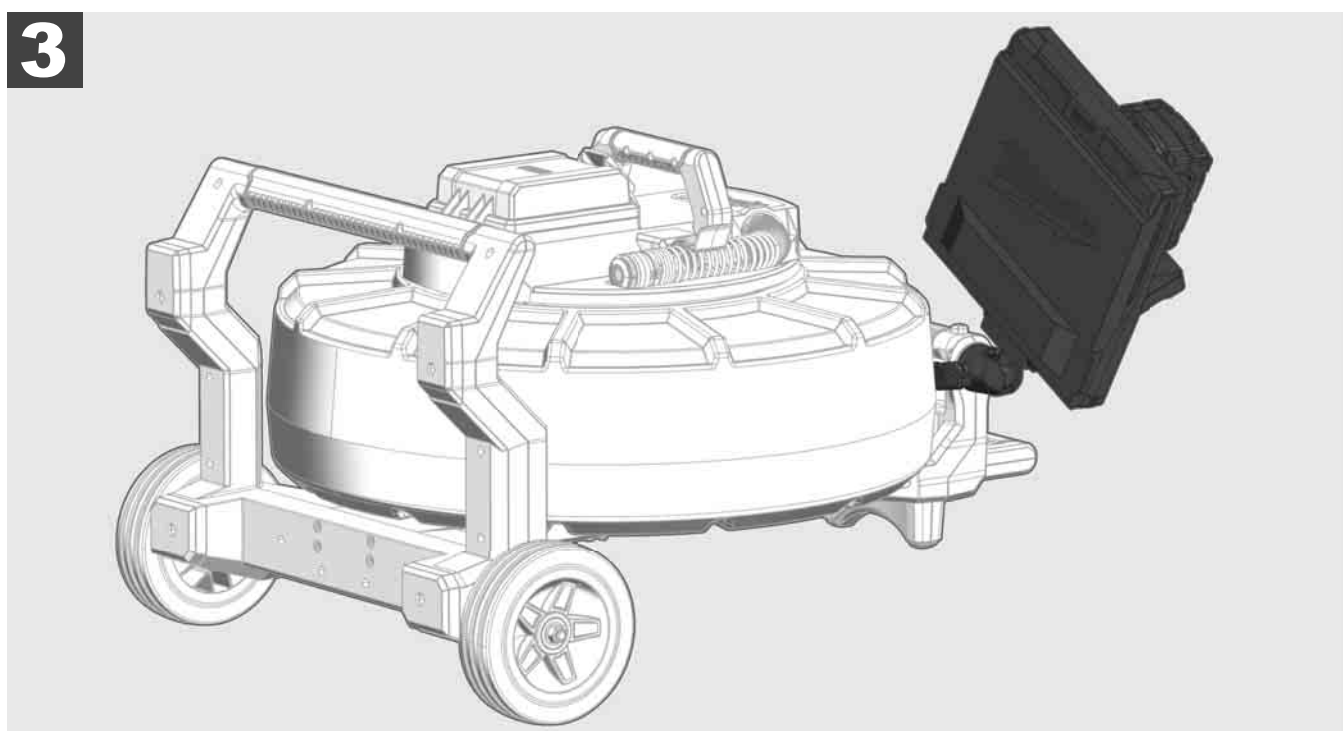
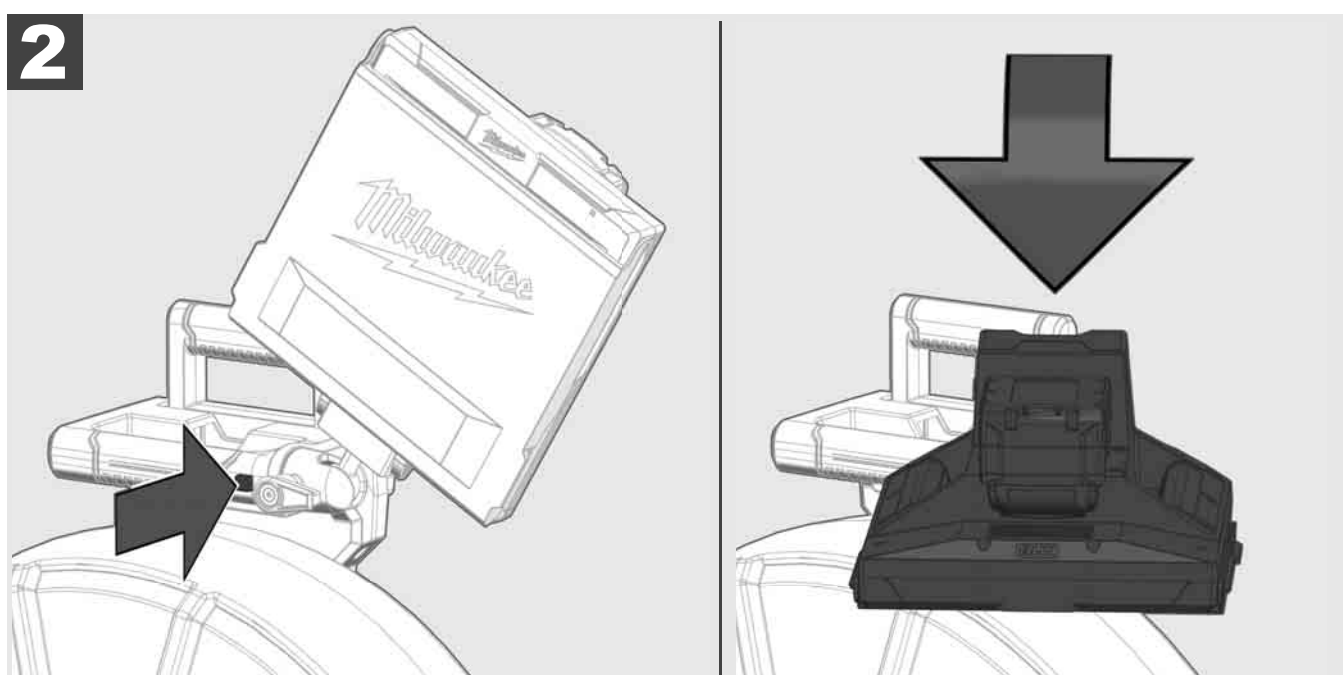
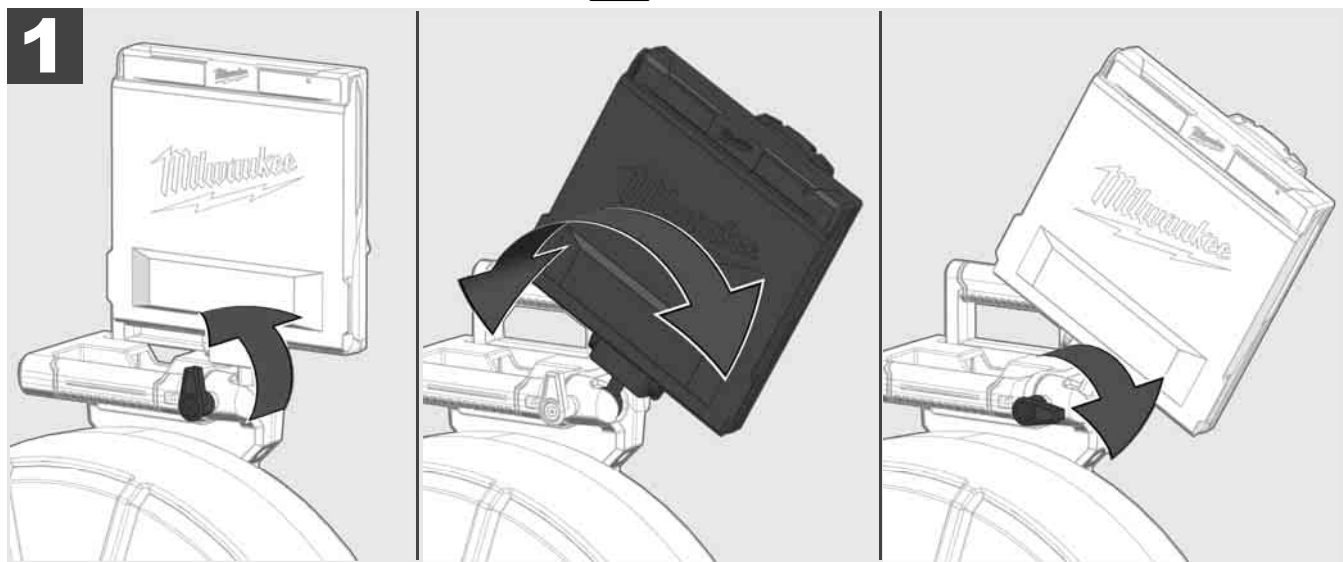


**1**



**2**





### 3.7 Brug af rørinspektionstromlen



Undersøg skubbekablet for tegn på slid – Tjek kablet for brud, knæk eller slitage i forbindelse med oprulning. Hvis belægningen er så slidt, at det gule eller hvide Kevlar-net kan ses, skal skubbekablet udskiftes. Hvis du bruger et skubbekabel, hvor belægningen er ødelagt, kan der trænge vand og fugt igennem, hvilket kan forringe kameraoptagelsernes kvalitet eller medføre kamerasvigt.

Illustrationen nedenfor viser eksempler på kraftigt beskadigede belægninger. Sådanne skubbekabler skal udskiftes hurtigst muligt.

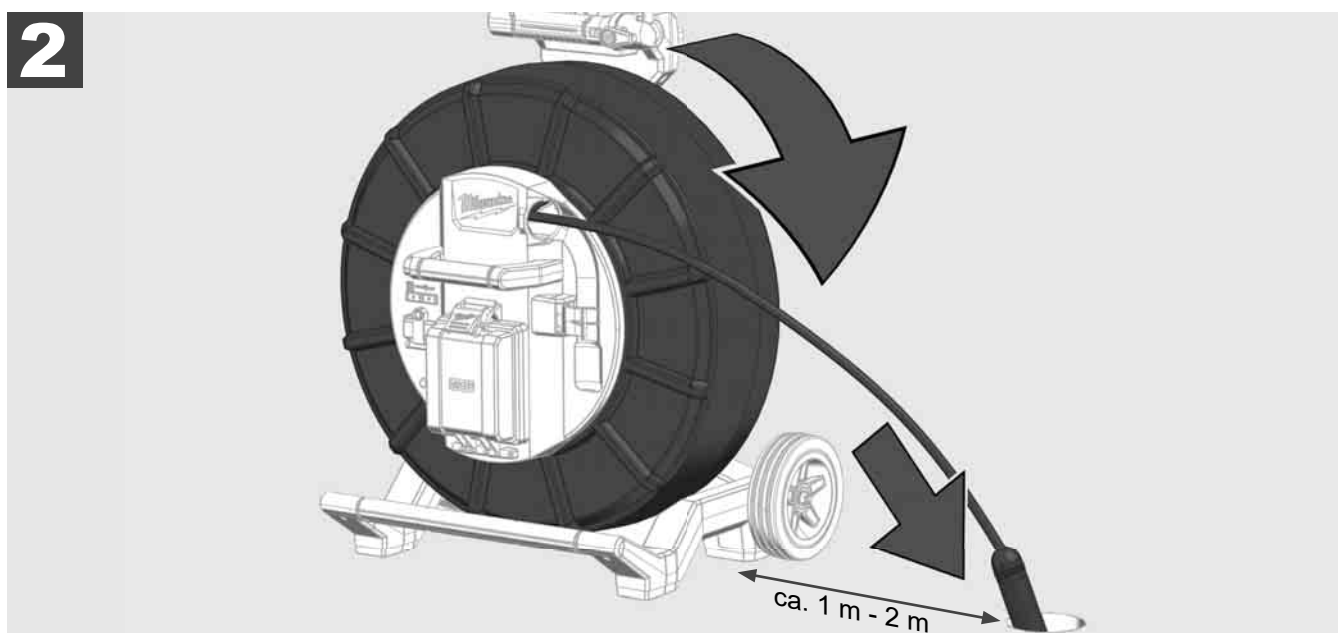
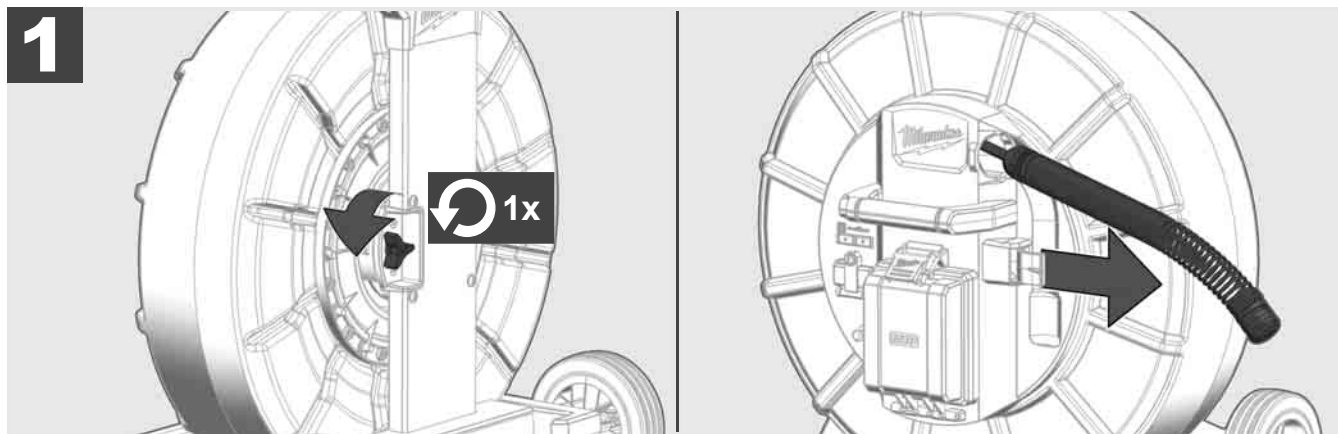


Hold altid skubbekablet og fjederenheden tør og ren - Rengør altid kablet med en ren, tør klud, når det rulles op. Når arbejdsdagen er slut, skal du under rindende vand forsigtigt fjerne snavs fra kamerahovedet og fjederen. Ryst delene tørre eller fjern overskydende vand med en lavtryksblæser og tør delene af til sidst. Kamerahovedet, skubbekablet og tilslutningsdelene udsættes dagligt for aggressive kemikalier. Omhyggelig rengøring af systemet forlænger levetiden for disse dele.

Skubbekablet skal håndteres med omhu – Træk ikke skubbekablet ud, hvis tromlen er låst. Ellers vil kablet blive trykket sammen inde i tromlen og blive unødigt belastet. Hvis kablet skubbes tilbage i en låst tromle, kan det omvendt få rullen til at vælte eller kablet til at knække.

Placer tromlen på en plan overflade ca. 1 til 2 meter fra indgangsstedet. Så er der plads nok til at håndtere kablet uden, at kablet skal trækkes i større afstand hen over jorden. Brug eventuelt kabelbremsen for at reducere skubbekablets hastighed.

Hvis tromlen bruges i horisontal position, øges området mellem fødderne. Dette giver tromlen en mere stabil position på ujævnt underlag og reducerer dens højde, hvilket er en fordel, hvis pladsen er trang.



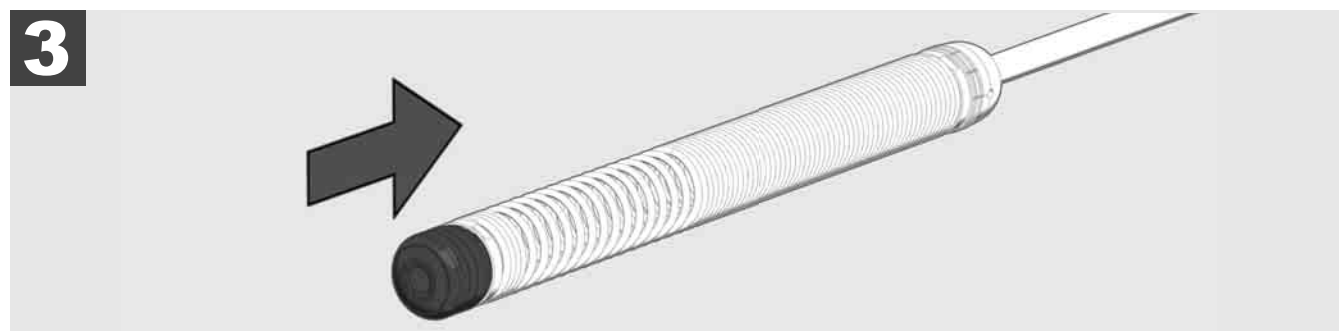
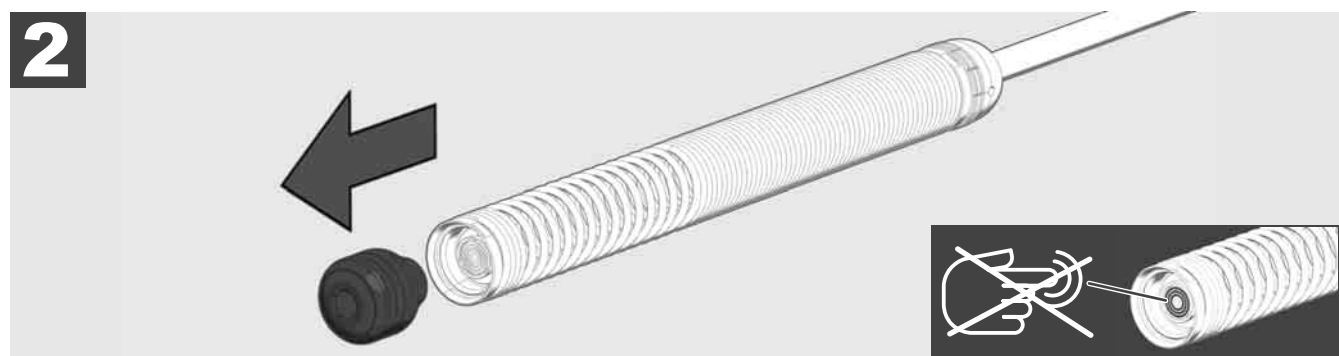


### 3.8 Kamerahovedenhed

Rør ikke ved det grønne kredsløbskort eller guldkontakterne på fjederenheten eller kamerahovedet med bare hænder, hvis det kan undgås. Ellers overføres fedtlaget på fingrene til disse komponenter, hvilket kan medføre førtidig korrosion. Brug rene og tørre gummihandsker, hvis det er muligt.

Tør kamerahovedet af, før du fjerner det, og fjern al snavs, der kan ryge ind i kameraets tilslutningsområde.

Må ikke strammes for meget og brug ikke overdreven kraft!



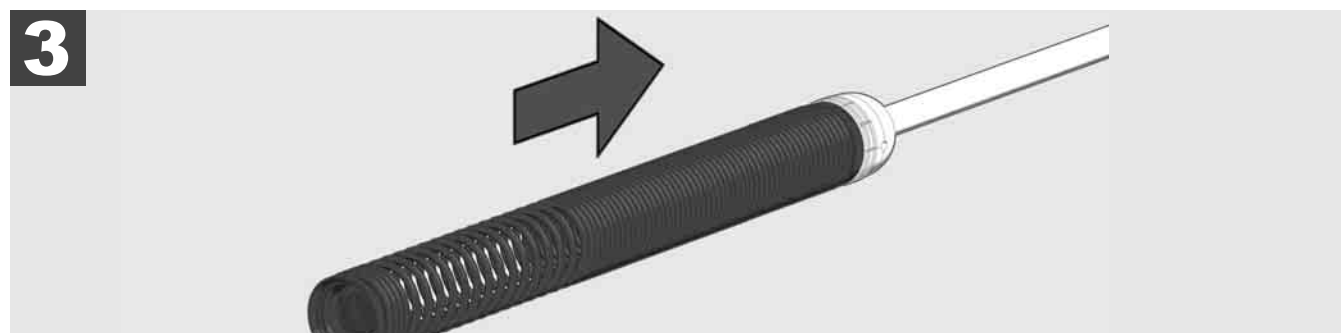
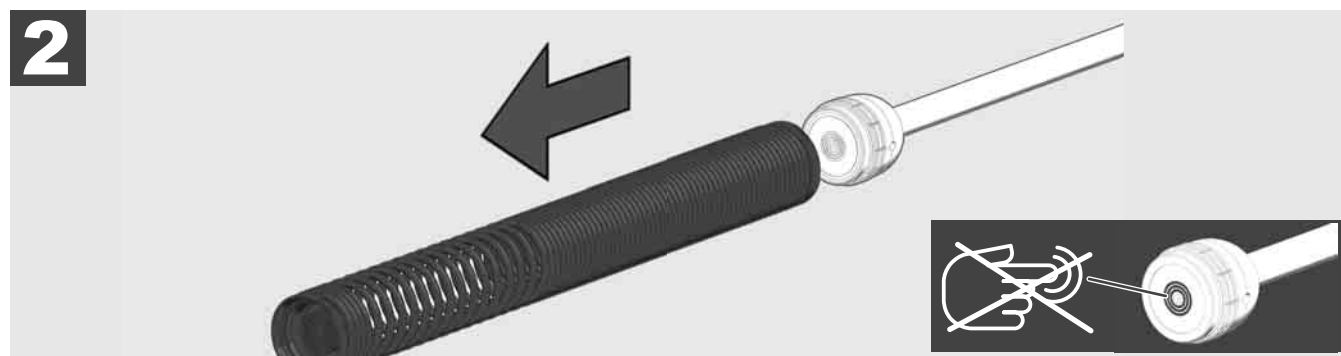
### 3.9 Fjederenhed



Rør ikke ved det grønne kredsløbskort eller guldkontakterne på fjederenheden eller kamerahovedet med bare hænder, hvis det kan undgås. Ellers overføres fedtlaget på fingrene til disse komponenter, hvilket kan medføre førtidig korrosion. Brug rene og tørre gummihandsker, hvis det er muligt.

Tør kamerahovedet af, før du fjerner det, og fjern al snavs, der kan ryge ind i kameraets tilslutningsområde.

Må ikke strammes for meget og brug ikke overdreven kraft!



### 3.10 Kamerabeskyttelsesdæksel

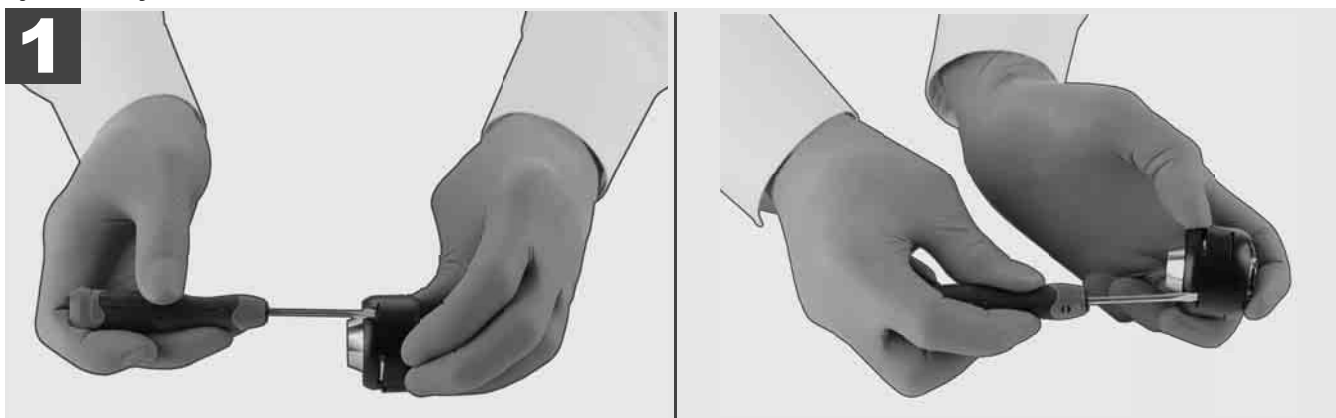


Beskyttelsesdæksler, som passer til kamerahoveder, som har en diameter på 25 mm eller 34 mm. Disse beskyttelsesdæksler er inkluderet i leveringen af RØRINSPEKTIONSTROMLER eller udskiftningskamerahoveder.

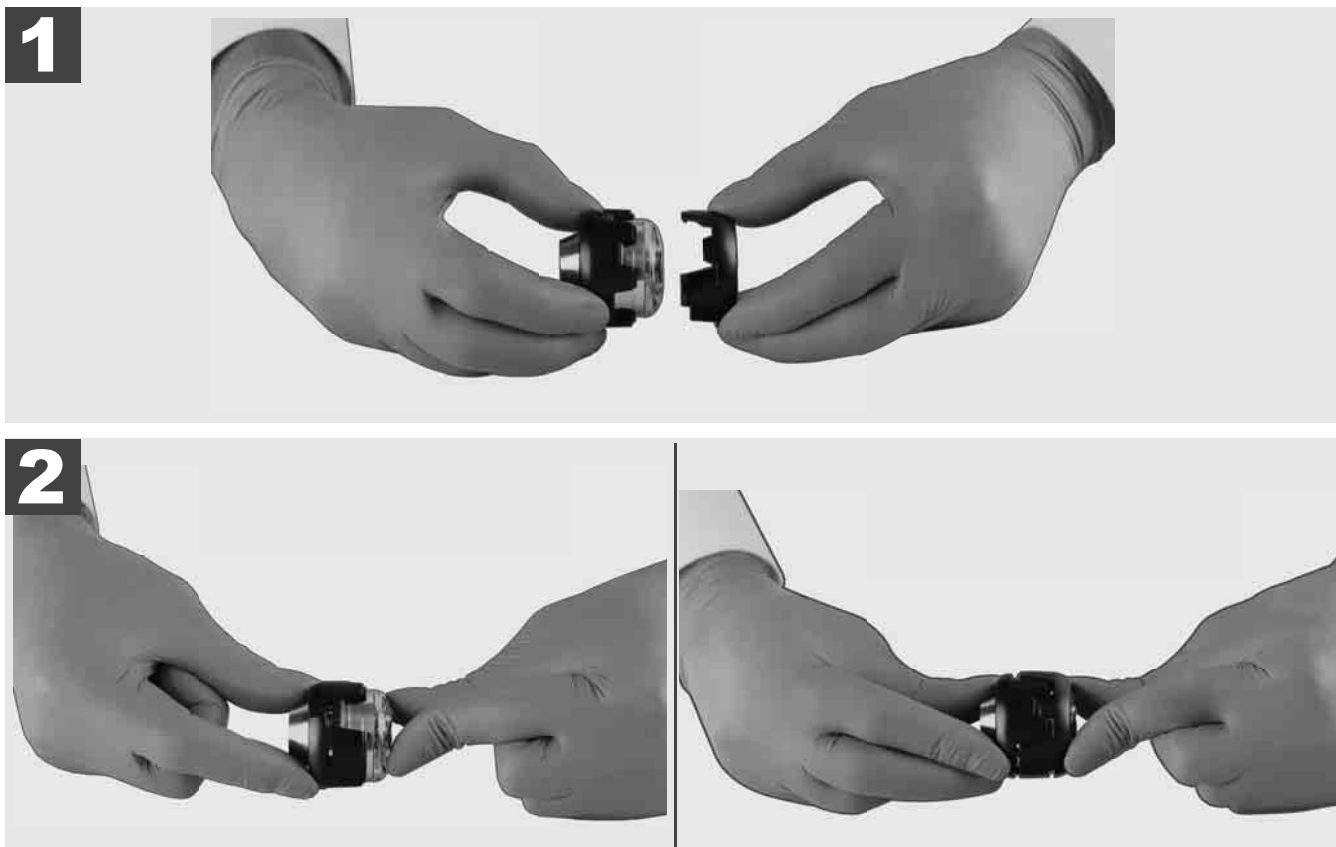
Skinner – De er placeret på fjederenheden, så kamerahovedet kører langs jorden og ikke kommer i direkte kontakt med røret.



#### Fjern beskyttelsesdæksel



#### Installering af beskyttelsesdæksel



### 3.11 Kameraskinner



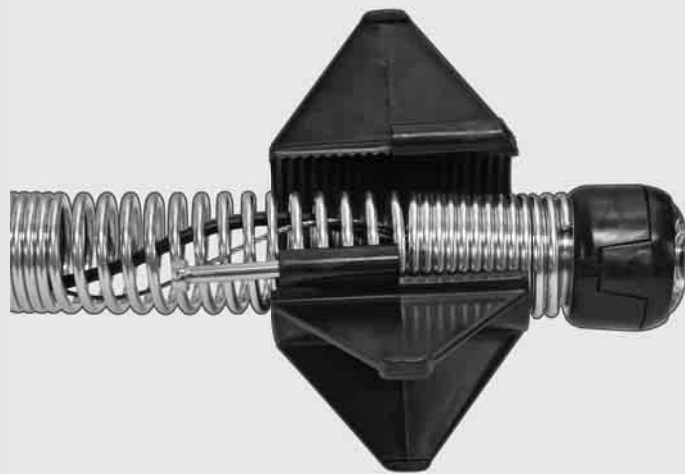
Der er to skinner til hvert af kamerahovederne på hhv. 25 mm og 34 mm. En lille udgave på 75 mm og en mellem udgave på 100 mm.

Kameraskinne 25 mm

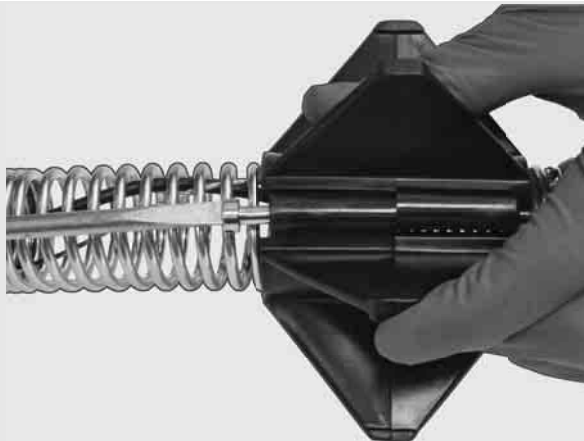
Kameraskinne 34 mm



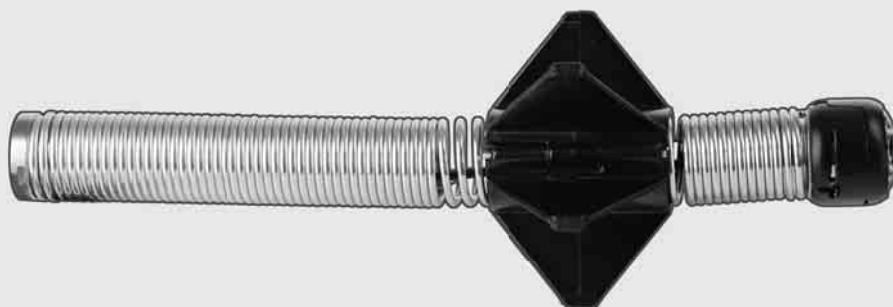
**1**



**2**




**3**




### 3.12 Service og support


Hvis dit RØRINSPEKTIONSSYSTEM skal repareres, finder du alle vigtige telefonnumre under SERVICE OG SUPPORT på servicesiden for Milwaukee-værktøjer.

Vælg **INDSTILLINGER**  → **SERVICE OG SUPPORT**





**Milwaukee**  
Nothing but **HEAVY DUTY**®

click 

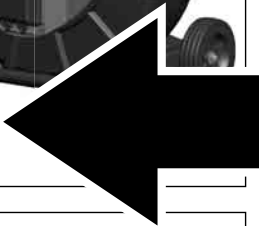


**M18 SIC36**  
**M18 SIC60**  
**M18 SISH**

click 



**M18 SIM**

click 

1	Generell informasjon .....	2
1.1	Spesielle sikkerhetsforskrifter for rørinspeksjonssystemer .....	2
1.2	Ytterligere sikkerhets- og arbeidsinstrukser .....	2
1.3	Tekniske data .....	3
1.4	Tiltenkt bruk .....	3
1.5	Krav som stilles til radiofrekvenser for europeiske installasjoner .....	3
1.6	EU-Samsvarserklæring .....	4
1.7	ONE-KEY™ .....	4
1.8	Batteripakker .....	4
1.9	Transport av litium-ion-batteripakker .....	4
1.10	Vedlikehold .....	4
1.11	Symboler .....	5
2	Smart Hub M18 SISH .....	6
2.1	Oversikt Smart Hub M18 SISH .....	6
2.2	Innsetting og uttak av batteripakken .....	7
2.3	Kontroll av batteripakkens ladetilstand .....	8
2.4	Innsetting av Smart Hub M18 SISH .....	9
2.5	Fjerning av Smart Hub M18 SISH .....	10
2.6	På-/Av-bryter .....	11
2.7	Tilkobling av motor .....	12
2.8	USB-porter .....	13
2.9	Jordspyd .....	14
2.10	Tilbakestille lengdeteller .....	15
2.11	Kamera-testtilkobling .....	16
2.12	Formatering av internt drivverk og USB-minnepinne .....	17
2.13	Fabrikkinnstillinger .....	18
2.14	Systemoppdatering .....	19
3	RØRINSPEKSJONSTROMLER .....	21
3.1	Oversikt rørinspeksjonstromler M18 SIC36 .....	21
3.2	Oversikt rørinspeksjonstromler M18 SIC60 .....	22
3.3	Installasjon av bæreinnetning .....	23
3.4	Fjerning av bæreinnetning .....	24
3.5	Installasjon av trådløs monitor M18 SIM .....	25
3.6	Innstilling av trådløs monitor M18 SIM .....	26
3.7	Bruk av rørinspeksjonstrommel .....	27
3.8	Komponent kamerahode .....	28
3.9	Fjærkomponent .....	29
3.10	Vernedeksel til kamerahode .....	30
3.11	Kameraføringer .....	31
3.12	Service og support .....	32

# 1 GENERELL INFORMASJON

## 1.1 Spesielle sikkerhetsforskrifter for rørinspeksjonssystemer

Når det arbeides i rør, må det passes på at disse ikke står under spenning eller er elektrisk oppladet. Rørene må ikke inneholde væsker. Kameraet og instrumentet må ikke komme i kontakt med væsker.

Kameraet og kabelen må ikke komme i kontakt med olje, gass eller andre materialer som er mottakelige for korrosjon.

For å redusere faren for eksplosjon, elektrisk sjokk samt for materielle skader, må alltid arbeidsområdet kontrolleres før noen form for arbeider begynner. Kabelen må ikke komme i kontakt med elektriske komponenter, kjemikalier eller bevegelige deler.

For å redusere risikoen for skader på apparatet, skal det ikke brukes for mye kraft og kabelen må heller ikke knekkes. Ikke bruk inspeksjonskameraet og kabelen i områder hvor de kommer i kontakt med etsende eller oljete substanser.

Ikke bruk kameraet til fjerning av tilstoppinger eller hinder. Dette er ingen rørensener!

Hvis avløpsrøret som skal inspiseres kan inneholde kjemikalier, bakterier eller andre giftige substanser eller smittestoffer, skal det brukes latex- eller gummihandsker blant vernehanskene som er anbefalt av produsenten, samt vernebriller, ansiktsbeskyttelse, verneklær og pustevernmaske. Rørledninger kan inneholde kjemikalier, bakterier eller andre substanser som kan være giftige eller smittebærende og derfor kan forårsake forbrenninger eller andre alvorlige skader.

Overhold hygieneforskriftene. Ikke spis eller røyk mens du arbeider med apparatet. Etter omgang med eller bruk av rørinspeksjonssystemet skal hender og andre kroppsdeler som har kommet i kontakt med rørrinnholdet alltid vaskes med varmt vann og såpe. Slik unngår du helsefarer på grunn av kontakt med giftig eller smittebærende stoffer.

Kontroller kabelen for tegn på slitasje og skader før du tar den i bruk. Skift ut en slitt eller skadet kabel før du tar apparatet i bruk.

**FORSIKTIG!** Ved transport av rørinspeksjonssystemet på ryggen ved hjelp av bæreinneheten, må det utvises stor forsiktighet. Du kan miste likevekten.

Bruk apparatet alltid med overlegg og forsiktighet. Det er umulig å forutse alle faresituasjoner. Ikke bruk dette apparatet dersom du ikke forstår den foreliggende veiledningen eller du føler at arbeidet er for mye for deg. Henvend deg til Milwaukee eller en kvalifisert spesialist dersom du ønsker ytterligere informasjon eller opplæring.

Ikke fjern etiketter og typeskilt. Disse skiltene inneholder viktig informasjon. Dersom disse skiltene ikke lenger er lesbare eller de mangler, ta kontakt med MILWAUKEE-kundeservice for å få tilsendt nye skilt gratis.

En hel del støv som forårsakes av slipe-, sage- og boremaskiner eller øvrige byggeaktiviteter kan inneholde kjemiske stoffer som virker kreftfremkallende eller som kan skade forplantningsevnen. Eksempler på denne typen kjemiske stoffer er følgende:

- Bly fra maling på blybasis,
- krystallartig silisiumoksid fra mursteiner, sement eller andre murverksprodukter samt
- Arsen eller krom fra trevirke som er kjemisk behandlet.

Risikoen for eksponering er avhengig av hvor ofte du utfører denne type arbeider. For å holde risikoen for eksponering så lav som mulig, må du alltid arbeide i godt luftede områder. Ha alltid på deg et offisiell godkjent verneutstyr, som eksempelvis støvmasker med mikropartikkelfilter.

## 1.2 Ytterligere sikkerhets- og arbeidsinstruksjoner

Ikke skift ut batteripakken når verktøyets overflate er våt.

Bukte batteripakker skal ikke brennes eller kastes i husholdningsavfallet. Milwaukee fagforhandlere tilbyr en miljøriktig avfallshåndtering av gamle batteripakker.

Ikke oppbevar batteripakker sammen med metallgjenstander (fare for kortslutning).

Batteripakker av systemet M18 skal kun lades med ladere av systemet M18. Ikke bruk batteripakker fra andre systemer.

Under ekstrem belastning og ekstrem temperatur kan det lekke ut batterivæske fra skadede batteripakker. Ved berøring med batterivæske, vask umiddelbart med såpe og vann. Ved kontakt med øynene må øynene øyeblikkelig skylles grundig i rennende vann i minst 10 minutter, og oppsøk lege umiddelbart.

**Advarsel!** For å unngå faren for en brann, personskader eller skade på produkter forårsaket av en kortslutning, må du ikke dyppe apparatet, batteripakken eller laderen ned i væsker, og du må sørge for at det ikke kan trenge

inn væsker. Korroderende eller ledende væsker som saltvann, visse kjemikalier og blekemidler eller produkter som inneholder blekemidler, kan forårsake en kortslutning.

Dette apparatet skal ikke betjenes eller rengjøres av personer som har innskrenkede fysiske, sensoriske eller åndelige evner, eller som har manglende erfaring eller kunnskaper, med mindre de har fått opplæring i sikker omgang med apparatet av en person som er juridisk ansvarlig for deres sikkerhet. Ovennevnte personer skal holdes under tilsyn ved bruken av apparatet. Dette apparatet skal holdes utilgjengelig for barn. Når det ikke brukes, skal det derfor oppbevares trygt og utenfor barns rekkevidde.

### 1.3 Tekniske data

	M18 SIC36	M18 SIC60	M18 SISH
Kamerakabellengde .....	36 m.....	60 m.....	
Kamerahode.....	Ø 25 mm.....	Ø 34 mm.....	
Maks. forstørrelse .....	4x .....	4x.....	
Batterispenning .....			18 V
Vekt iht. EPTA-prosedyre 01/2014 (4.0 Ah / 12 Ah) .....	12,4 kg.....	20,46 kg.....	5,37 kg
Bluetooth-frekvensbånd (frekvensbånd) .....			2402-2480 MHz
Høyfrekvensytelse.....			1,8 dBm
Bluetooth-versjon .....			4.0 BT-signalmodus
Anbefalt omgivelsestemperatur under arbeidet .....	-18 ....	+50 °C	
Anbefalte typer batteripakker .....		M18B....; M18HB....	
Anbefalte ladere .....		M12-18C, M12-18AC, M12-18FC, M1418C6	

### 1.4 Tiltent bruk

Rørinspeksjonssystemet tjener til sikring og inspeksjon av rørledninger. Systemet består av tre moduler:

#### - Rørinspeksjonstrommel M18 SIC36 eller M18 SIC60

Rørinspeksjonstrommelen tjener til opp- og avspoling og til styring av skyvekabelen. Trommelen kan leveres i to størrelser: M18SIC36 for rør med en diameter på 50 mm til 150 mm og den større modellen M18SIC60 for rør med en diameter på 75 mm til 250 mm.

Begge tromlene inneholder en skyvekabel med fjærkomponent som er montert på det selvnivellerende kamerahodet. Den trådløse monitoren M18 SIM og Smart Hub M18 SISH kan brukes med begge tromlene.

Begge tromlene kan brukes både loddrett som vannrett. På baksiden av M18 SIC36 kan det festes en bæreinnetning, slik at apparatet kan bæres på ryggen.

#### - Smart Hub M18 SISH

Smart Hub M18 SISH brukes til å styre rørinspeksjonssystemet.

Den trådløse monitoren M18 SIM eller nettbrettet som Milwaukee® rørinspeksjonsappen er installert på, kobler seg sammen med Smart Hub M18 SISH for å motta videoopptakene og bildene. Både videoer og bilder lagres på det interne drivverket til Smart Hub M18 SISH.

#### - Trådløs monitor M18 SIM (ikke med i leveringsomfanget, kan kjøpes inn separat)

Den trådløse monitor M18 SIM gjør det mulig å se på videoene som er tatt opp med kamerahodet. Dessuten kan man opptegne videoer og foto samt avspille videoer og bildefiler. Under videoopptaket kan man ta opp talte kommentarer via den interne mikrofonen. Via funksjonen «Etiketter» kan man også føye til kommentartekster. Kommentartekstene tones inn i videoen som er tatt opp og vises sammen med dato, klokkeslett og avviklet kabellengde på fotoene.

Dette apparatet må bare brukes til tiltent formål, slik det er angitt.

### 1.5 Krav som stilles til radiofrekvenser for europeiske installasjoner

Merk: Dette apparatet har blitt testet og overholder grenseverdiene for en mottaker i kategori 3 iht. EN 300 440 V2.1.1.

Disse grenseverdiene skal sikre en rimelig beskyttelse mot radioteknisk støy i boligbygninger.

Dette apparatet reagerer på andre apparater som sender ut radiobølger i frekvensområdet 2402 til 2480 MHz. Derfor kan det oppstå støy ved bruk av fjernstyringen. Det kan ikke utelukkes at det manifesterer seg støy under visse betingelser. For å konstatere om dette apparatet forstyrres pga. radiosignaler fra andre apparater, må du slå de andre apparatene av en kort stund for å kontrollere om støyen da forsvinner. De følgende tiltakene kan hjelpe til å utbedre støyen:

- Slå av støykilden.
- Øk avstanden til støykilden.
- Søk hjelp hos en fagforhandler eller en kvalifisert radiotekniker.



## 1.6 EU-Samsvarserklæring

Herved erklærer Techtronic Industries GmbH at radioanlegget type M18SISH samsvarer med direktiv 2014/53/EU. Den fullstendige teksten i EU-samsvarserklæringen er tilgjengelig på den følgende internettadressen: <http://services.milwaukeetool.eu>

## 1.7 ONE-KEY™

For å lære mer om ONE-KEY funksjonaliteten til dette apparatet, må du lese den vedlagte hurtigstartveiledningen, eller besøk oss i Internett på adressen [www.milwaukeetool.com/one-key](http://www.milwaukeetool.com/one-key). Du kan laste ned ONE-KEY appen på din smarttelefon via App Store eller via Google Play.

Dersom det oppstår elektrostatiske oppladninger, brytes bluetooth-forbindelsen. I dette tilfellet må du gjenopprette forbindelsen manuelt.

Apparatet tilfredsstiller minimumskravene iht. EN 55014-2:2015 / EN 301489-1 V2.2.3 / EN 301489-17 V3.1.1.

### ONE-KEY™ indikator

Blå lamper: Radioforbindelsen er aktiv og kan stilles inn via ONE-KEY™ appen.

Blå lampe blinker: Apparatet kommuniserer med ONE-KEY™ appen.

Rød lampe blinker: Av sikkerhetsgrunner har apparatet blitt sperret og kan låses opp av operatøren via ONE-KEY™ appen.

## 1.8 Batteripakker

Batteripakker som ikke har vært i bruk over lengre tid må lades opp før bruk.

En temperatur på over 50 °C reduserer batteripakkens yteevne. Lengre tids oppvarming av solen eller oppvarming må unngås.

Hold koblingskontaktene på lader og batteripakke rene.

For å oppnå en optimal brukstid, må batteripakken lades fullstendig opp etter bruken.

For å oppnå en lå lang brukstid som mulig, bør batteripakken fjernes fra laderen etter opplading.

Ved oppbevaring av batteripakken i mer enn 30 dager:

Lagre batteripakken tørt ved en temperatur på under 27 °C.

Lagre batteriet ved en ladetilstand på fra ca. 30 % - 50 %.

Batteripakken skal lades opp igjen hver 6. måned.

## 1.9 Transport av litium-ion-batteripakker

Litium-ion-batteripakker faller inn under de lovfestede forskriftene om transport av farlig gods.

Transporten av disse batteripakkene må finne sted idet lokale, nasjonale og internasjonale forskrifter og bestemmelser overholdes.

- Forbruker har lov å transportere disse batteripakkene på veier uten å måtte overholde ytterligere forskrifter.
- Kommersiell transport av litium-ion-batteripakker av speditørfirmaer er underlagt bestemmelsene for transport av fargods. Forberedelsene til forsendelse og transporten må utelukkende gjennomføres av personer med relevant opplæring. Hele denne prosessen må overvåkes av fagfolk.

De følgende punktene må overholdes under transport av batteripakker.

- Forviss deg om at kontaktene er beskyttet og isolert for å unngå kortslutninger.
- Pass på at batteripakken ikke kan gli inne i emballasjen.
- Skadde batterier eller batterier der væsken har rent ut må ikke transporteres.

Henvend deg til speditøren dersom du ønsker nærmere opplysninger.

## 1.10 Vedlikehold

Bruk bare Milwaukee tilbehør og Milwaukee reservedeler. Komponenter som det ikke er gitt noen beskrivelse av utskifting for, må du få skiftet ut hos et Milwaukee servicesenter (se i brosjyre Garanti/kundeserviceadresser).

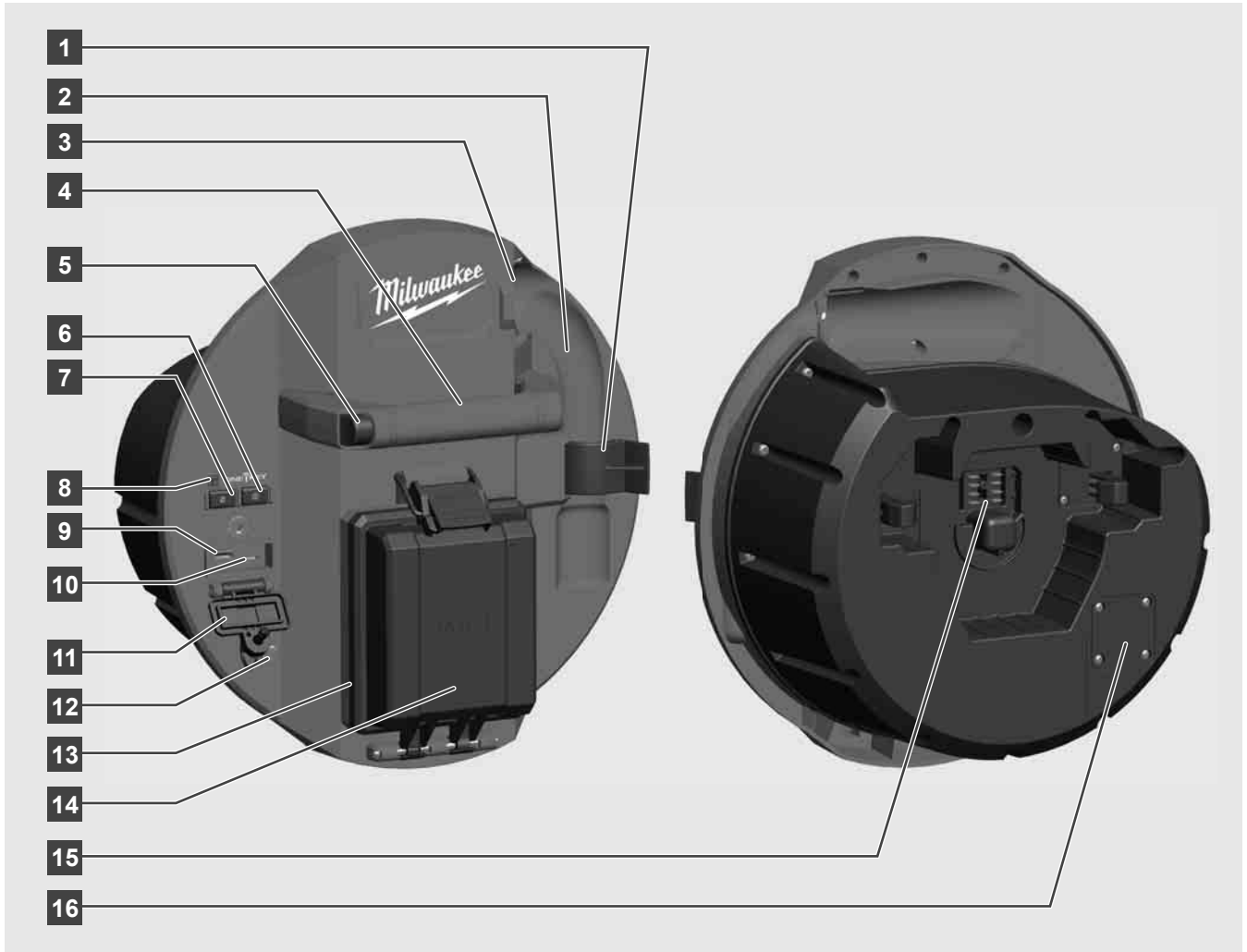
Ved behov kan det rekvireres en splittegning av apparatet hos ditt kundeservicesenter idet du angir apparattype og det seksifrede nummeret på typeskiltet, eller du kan henvende deg direkte til Techtronic Industries GmbH, Max-Eyth-Straße 10, D-71364 Winnenden.

## 1.11 Symboler

	OBS! ADVARSEL! FARE!
	Før alle arbeider på apparatet skal batteripakken tas ut.
	Vennligst les nøye gjennom denne brukerhåndboken før du tar apparatet i bruk.
	Ha på deg beskyttelseshansker!
	Ha alltid på deg vernebriller når du arbeider med apparatet.
	Elektriske apparater, batterier/batteripakker skal ikke avfallshåndteres sammen med husholdningsavfallet. Elektriske apparater og batteripakker som skal kasseres, skal kildesorteres og samles og leveres inn til et gjenvinningsfirma til miljøriktig avfallshåndtering. Be om informasjon hos de lokale myndighetene eller hos din fagforhandler om miljøstasjoner og samlesteder.
	Spenning
	Likestrøm
	Europeisk samsvarsmerke
	Britisk samsvarsmerke
	Ukrainsk samsvarsmerke
	Euroasiatisk samsvarsmerke

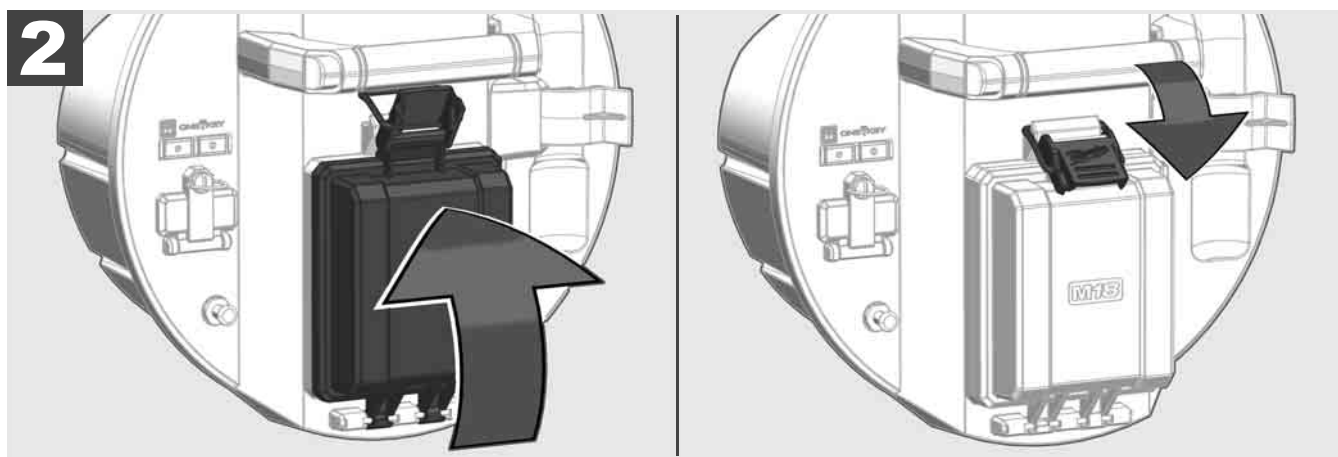
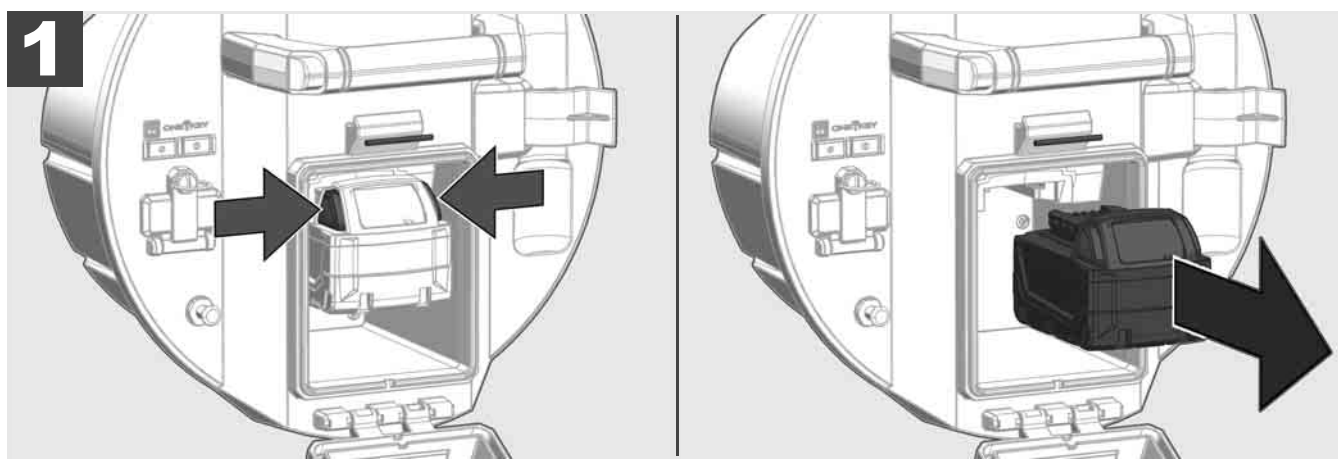
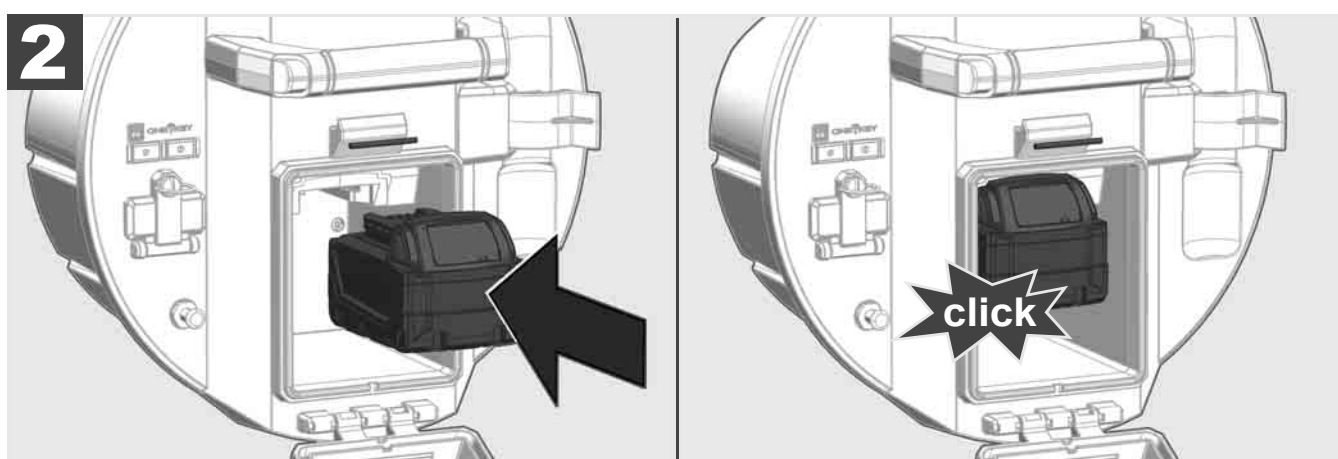
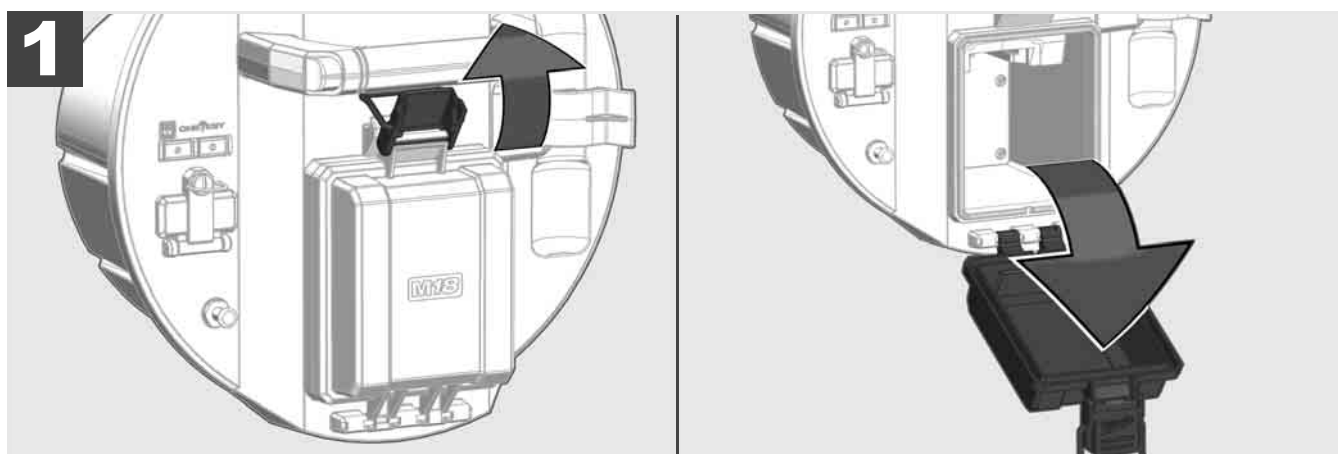
## 2 SMART HUB M18 SISH

### 2.1 Oversikt Smart Hub M18 SISH



- 1 Fjærsikringsklemme – Til sikring av fjær og kamera under transporten.
- 2 Fjærholder – Holder fjær og kamera under transporten og oppbevaring på stedet.
- 3 Kabelføring – Før Smart Hub smekker i lås, må fjæren og skyvekabelen træs gjennom føringen.
- 4 Håndtak
- 5 Opplåsningsknapp – Trykk på denne knappen for å koble Smart Hub fra rørinspeksjonstrømmelen.
- 6 Hovedbryter – Trykk kort én gang for å slå apparatet på, hold bryteren trykket for å slå apparatet av.
- 7 Tilbakestille knapp kabellengde – Setter lengden på den avspolede kabelen på null.
- 8 ONE-KEY-LED-visning
- 9 USB-A-port – Til direkte lagring av videoer og foto samt til oppdateringer av fastvare.
- 10 USB-C-port – Forsynings- og datatilkobling som tilvalg, til opprettelse av forbindelse mellom den trådløse monitoren M18 SIM og Smart Hub.
- 11 USB-tilkoblingsdeksel – Vanntett deksel som beskytter USB-tilkoblingene mot støv og fuktighet.
- 12 Jordspyd – Til jording av Smart Hub ved forfølging av skyvekabelen.
- 13 Tilkoblingsdeksel – Vanntett deksel som beskytter batteripakken mot støv og fuktighet.
- 14 Batteripakkekammer – Til batteripakke M18™
- 15 Tilkobling til forbindelsen mellom Smart Hub og rørinspeksjonstrømmelen.
- 16 Kamera-testtilkobling – Til feilretting ved problemer med kamerahodet

## 2.2 Innsetting og uttak av batteripakken



## 2.3 Kontroll av batteripakkens ladetilstand



78-100 %



55-77 %



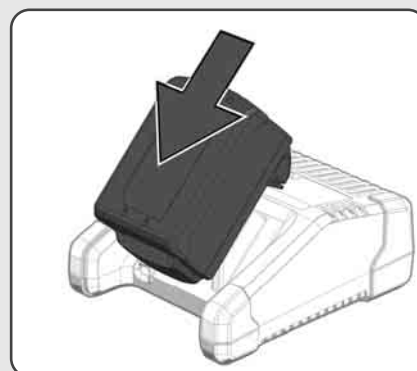
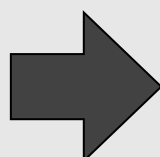
33-54 %

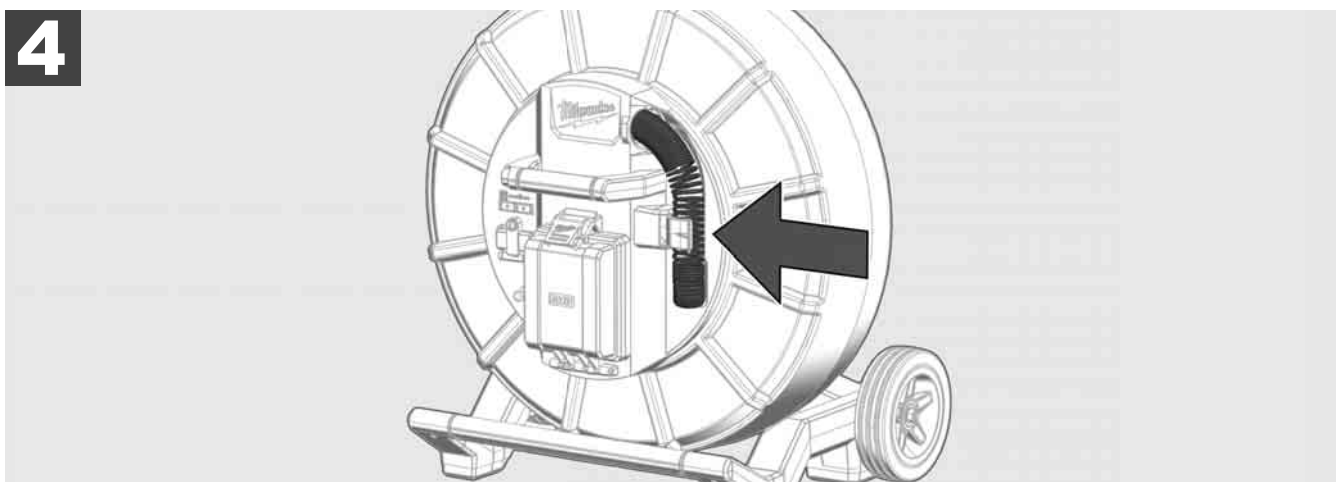
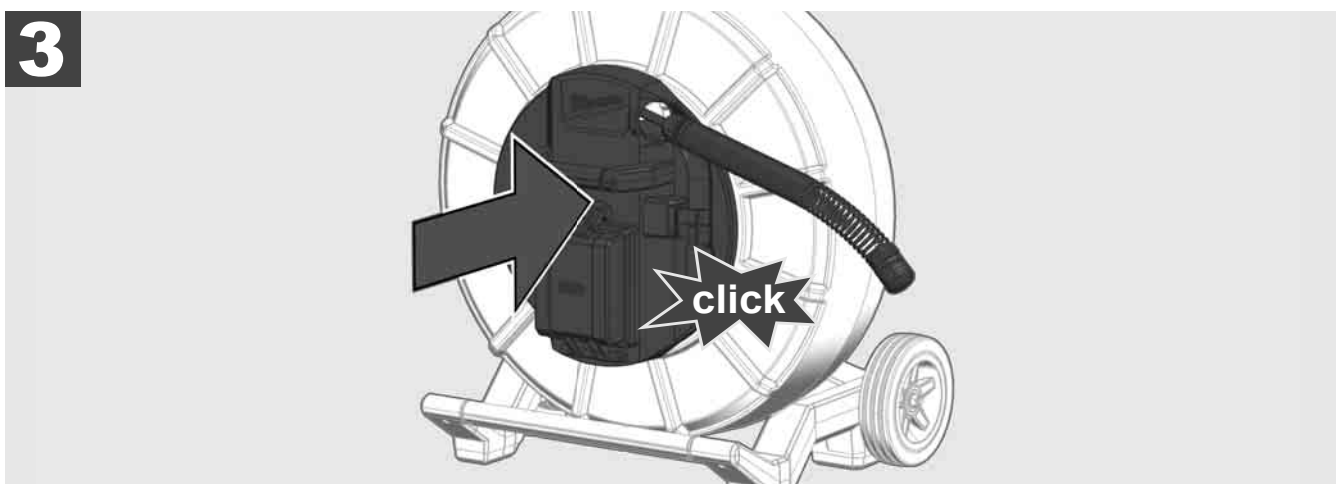
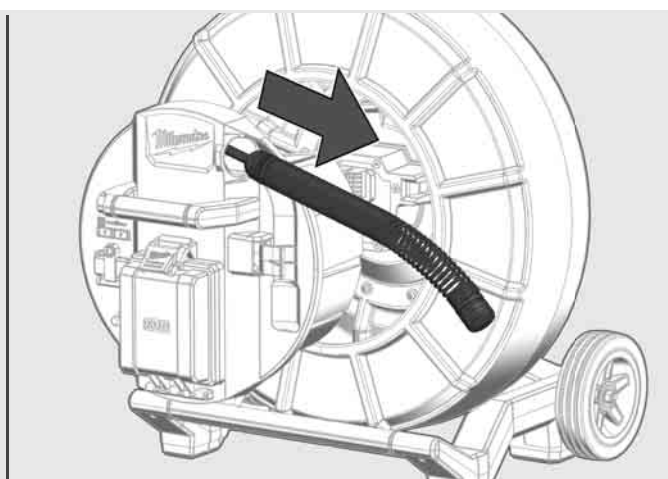
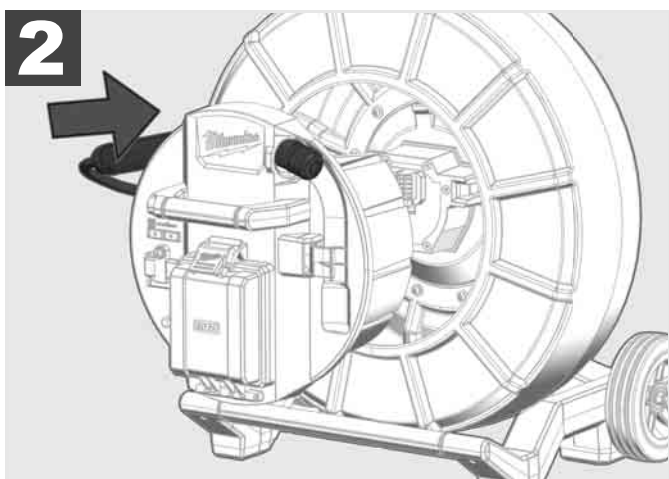
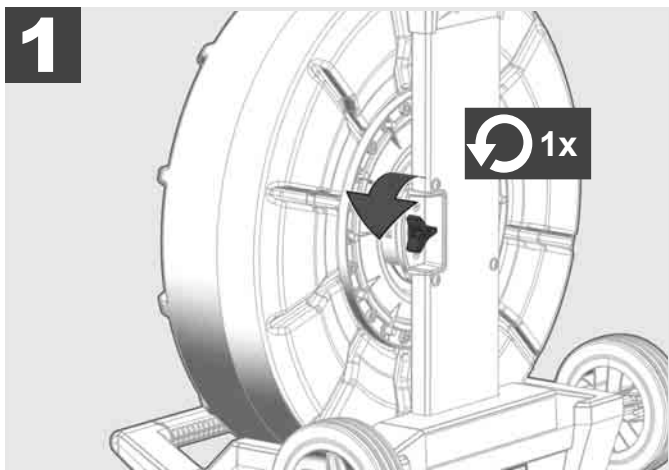


10-32 %



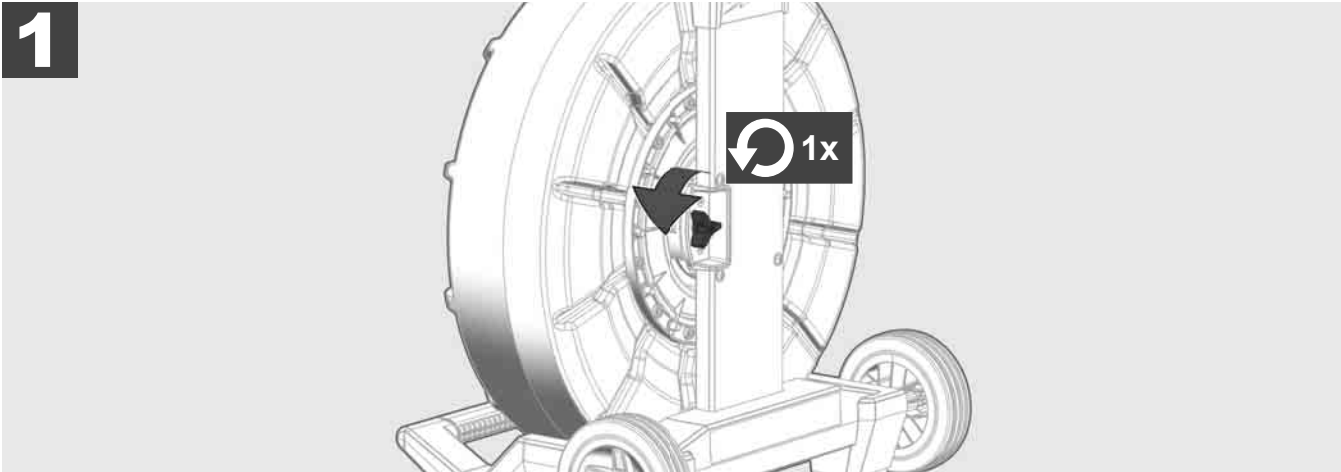
< 10 %



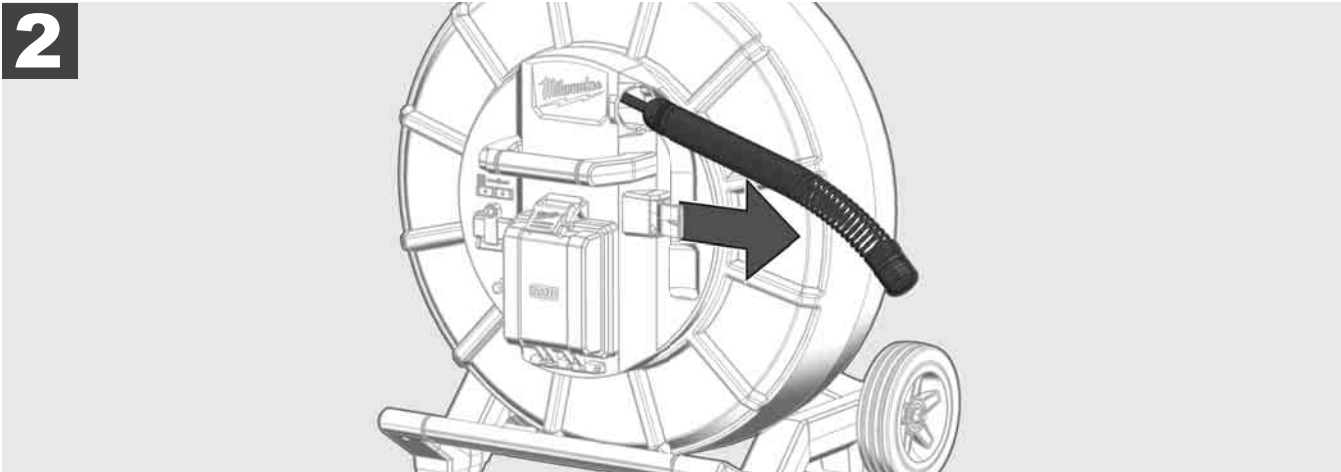




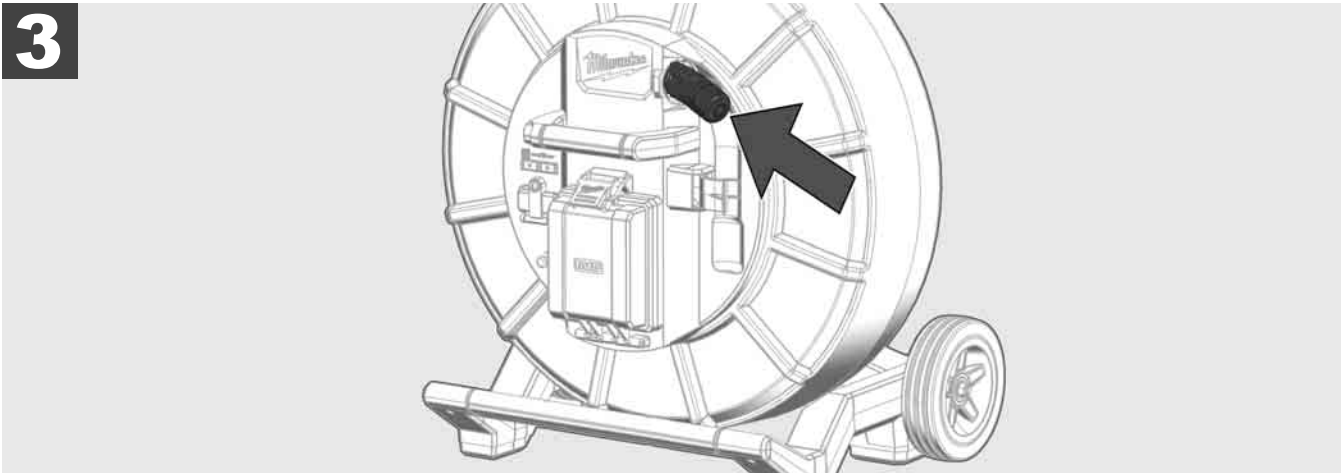
**1**



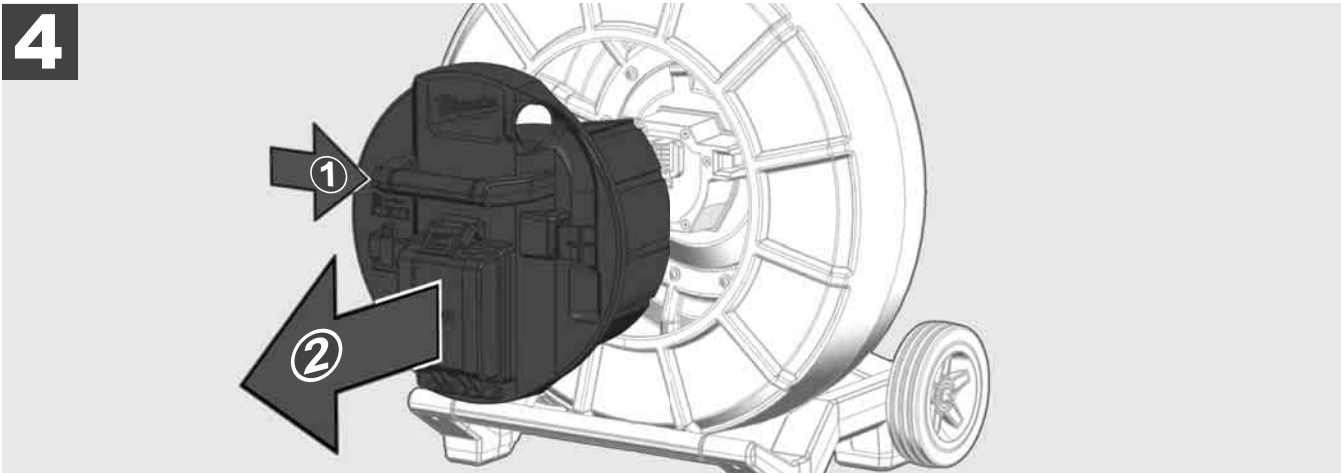
**2**



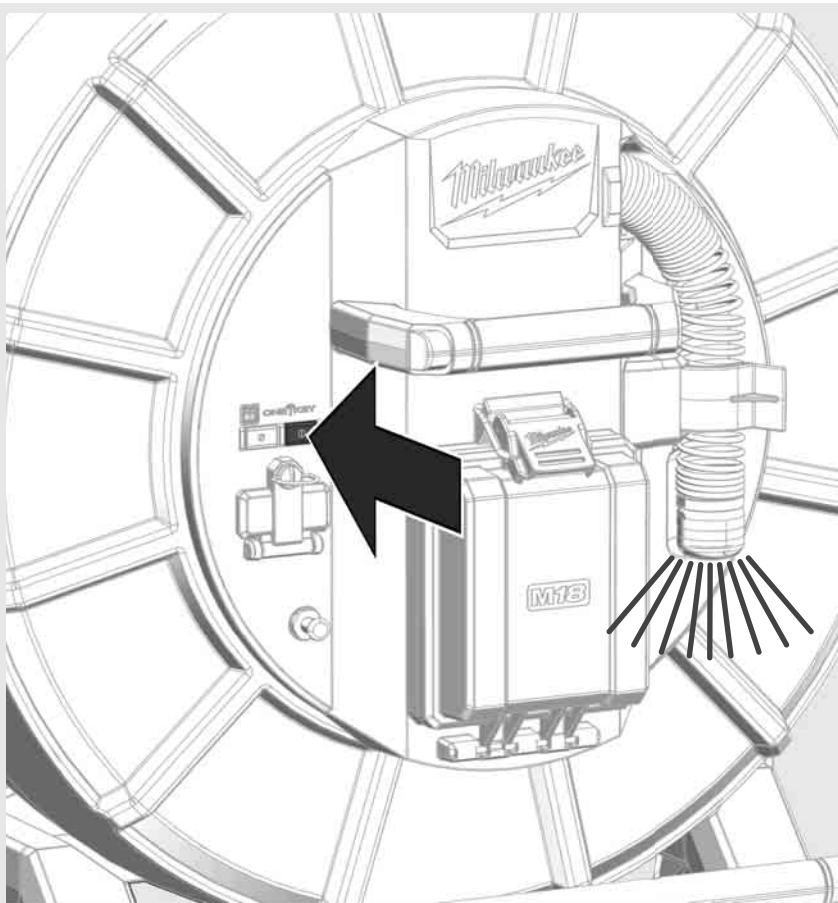
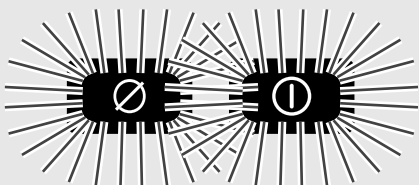
**3**



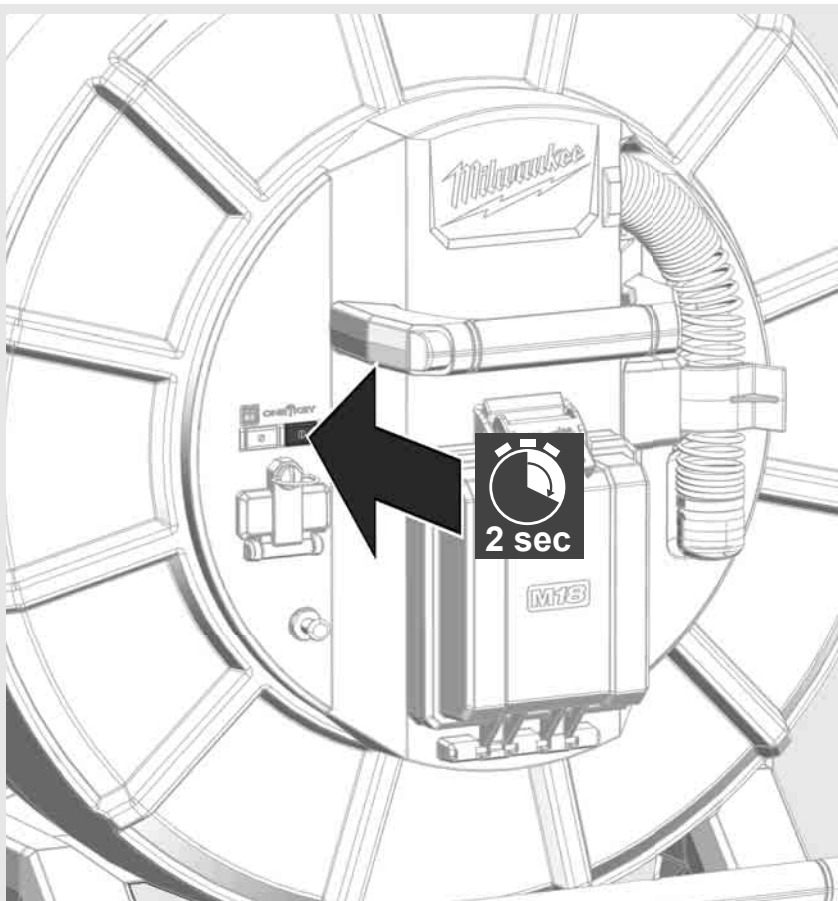
**4**



# ON



# OFF





## 2.7 Tilkobling av motor

For å endre innstillingene av RØRINSPEKSJONSSYSTEMET, styre dets funksjoner og å vise bildene og videoene som er tatt opp med kameraet, er det nødvendig med et eksternt viseinstrument.

Det eksterne viseinstrumentet er ikke med leveringsomfanget til RØRINSPEKSJONSSYSTEMET og må kjøpes inn separat.

De følgende variantene står til disposisjon.

- MILWAUKEE TRÅDLØS MONITOR M18 SIM
- Nettbrett eller smarttelefon med MILWAUKEE RØRINSPEKSJONS-APP.

Den TRÅDLØSE MONITOREN kobles til RØRINSPEKSJONSSYSTEMET med WiFi eller USB-C-port og er straks klar til bruk. Dersom det brukes et nettbrett eller en smarttelefon, må først MILWAUKEE RØRINSPEKSJONS-APPEN installeres på det respektive apparatet.

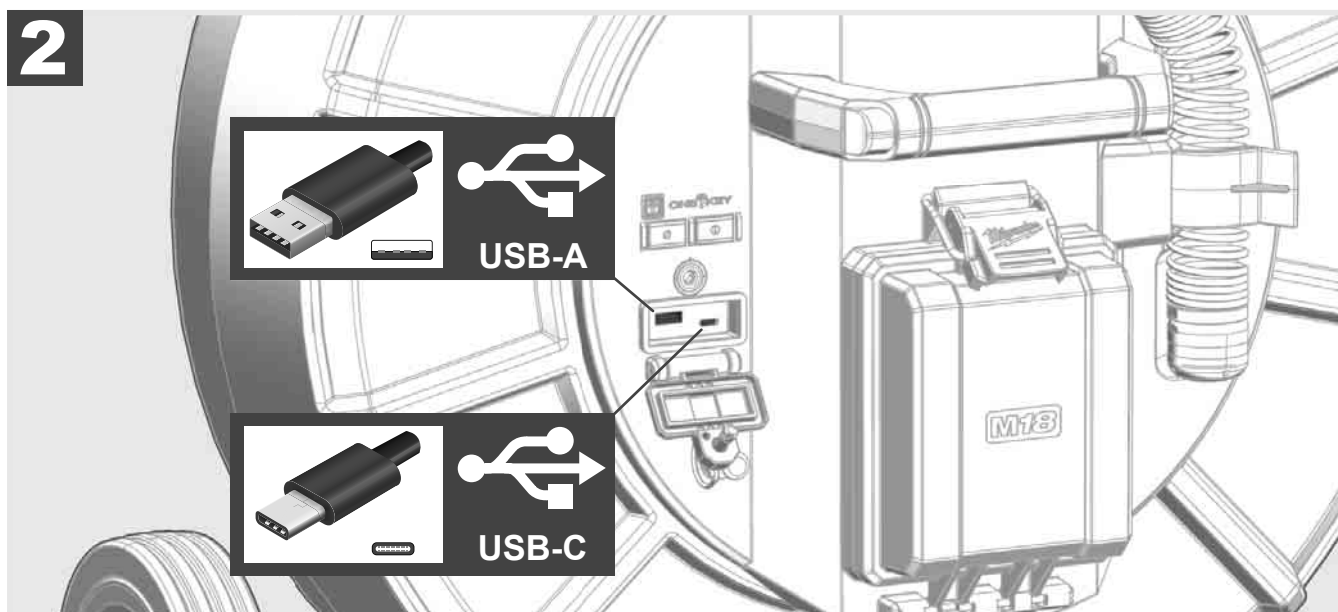
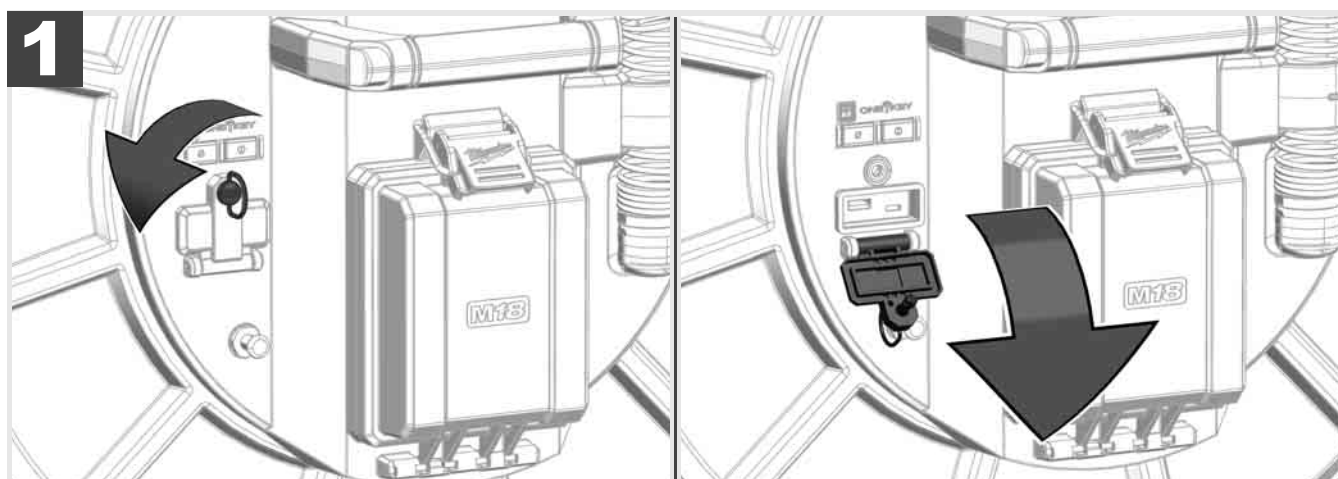
### **FØRSTE GANGS BRUK MED TRÅDLØS MONITOR M18 SIM:**

1. Slå på SMART HUB og den TRÅDLØSE MONITOREN.
2. Den TRÅDLØSE MONITOREN kobler seg automatisk med SMART HUB innen 25 sekunder.

\*For å opprette kabelforbindelsen, kobles monitoren til Smart Hub via USB-C-kabelen.

### **FØRSTE GANGS BRUK MED SMARTTELEFON ELLER NETTBRETT:.**

1. Laste ned og installer MILWAUKEE RØRINSPEKSJONS-APPEN.
2. Slå på SMART HUB og viseinstrumentet.
3. Velg alternativet Innstillinger > WiFi.
4. Velg alternativet MTCAM\_[LAST 9 DIGITS OF HUB SERIAL #].
5. Legg inn passord: 29702000
6. Start MILWAUKEE RØRINSPEKSJONS-APPEN.

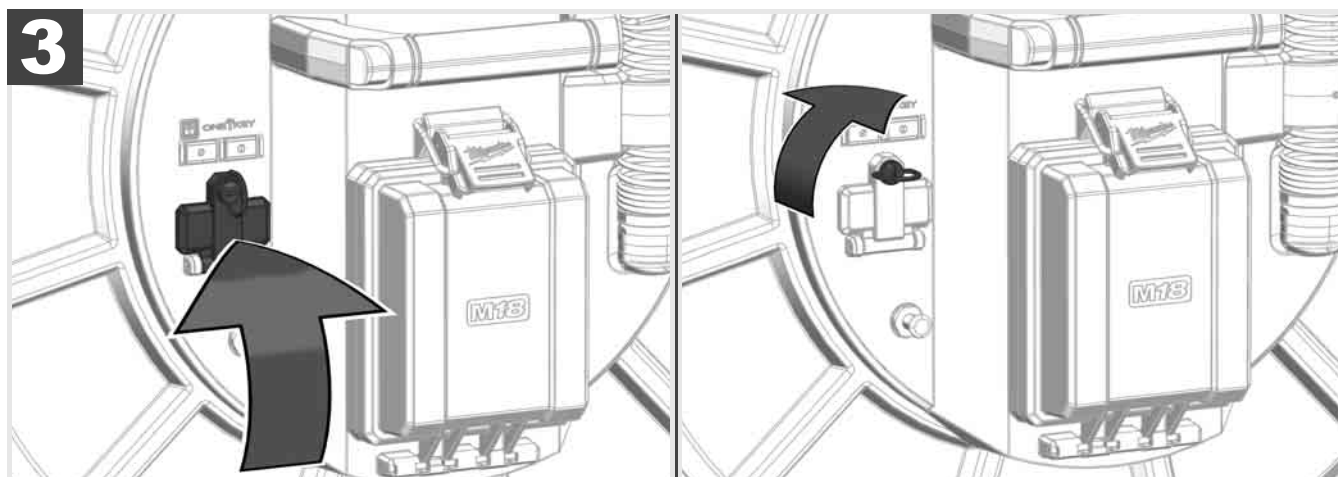


### USB-A

- Port til normal bruk. Tillater det direkte opptaket av video- og bildefiler eller overføringen av disse fra det interne Smart Hub-drivverket.
- Gjør det mulig å gjennomføre oppdateringer av fastvarer på Smart Hub.

### USB-C

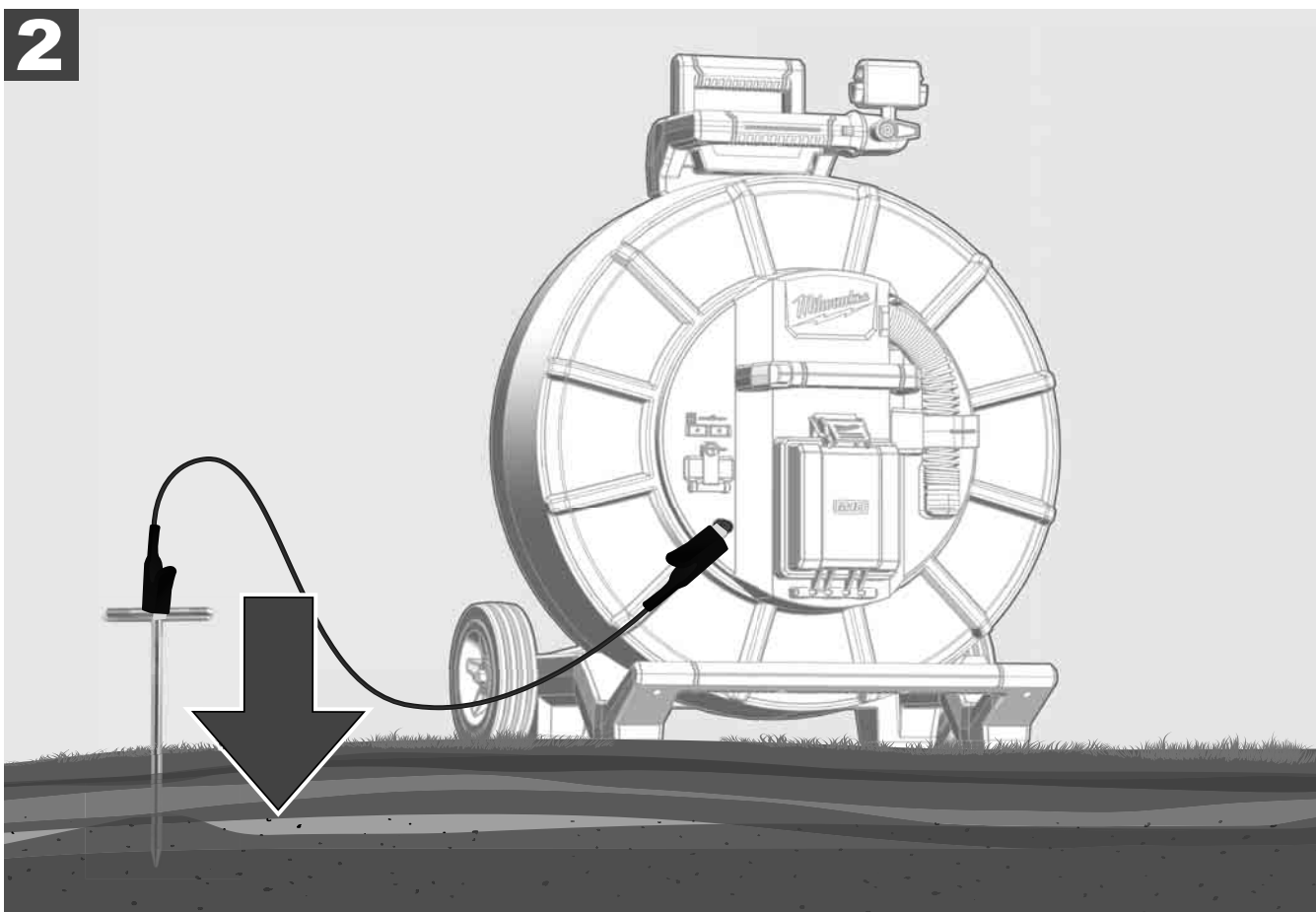
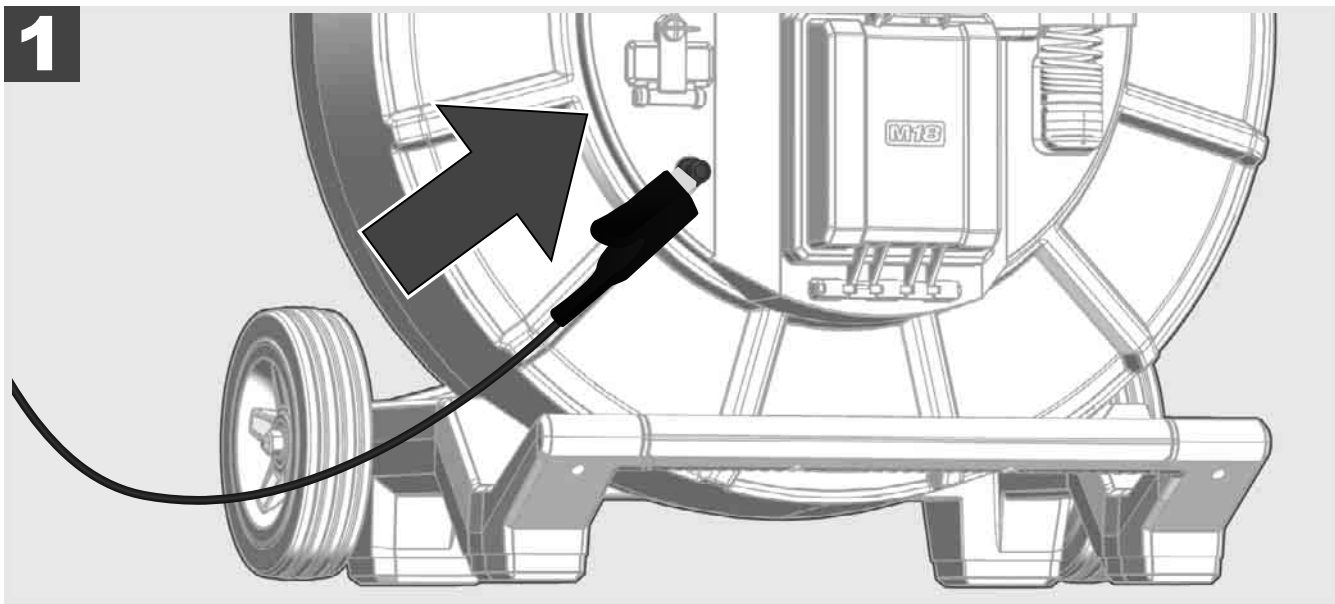
- Gjør det mulig å opprette forbindelse mellom den trådløse monitoren M18 SIM og Smart Hub uten WiFi-forbindelse. Strømforsyning til Smart Hub via den trådløse monitor M18 SIM eller omvendt, dersom batteripakken ikke er ladet.



## 2.9 Jordspyd



Jordspydet må alltid tas i bruk når skyvekabelen forfølges via funksjonen KABELSPORING. Smart Hub må gjøres slik at strømsløyfen er lukket og det sendes et godt lokaliseringssignal. Bruk den medleverte jordingskabelen samt jordspyd til jording av Smart Hub.

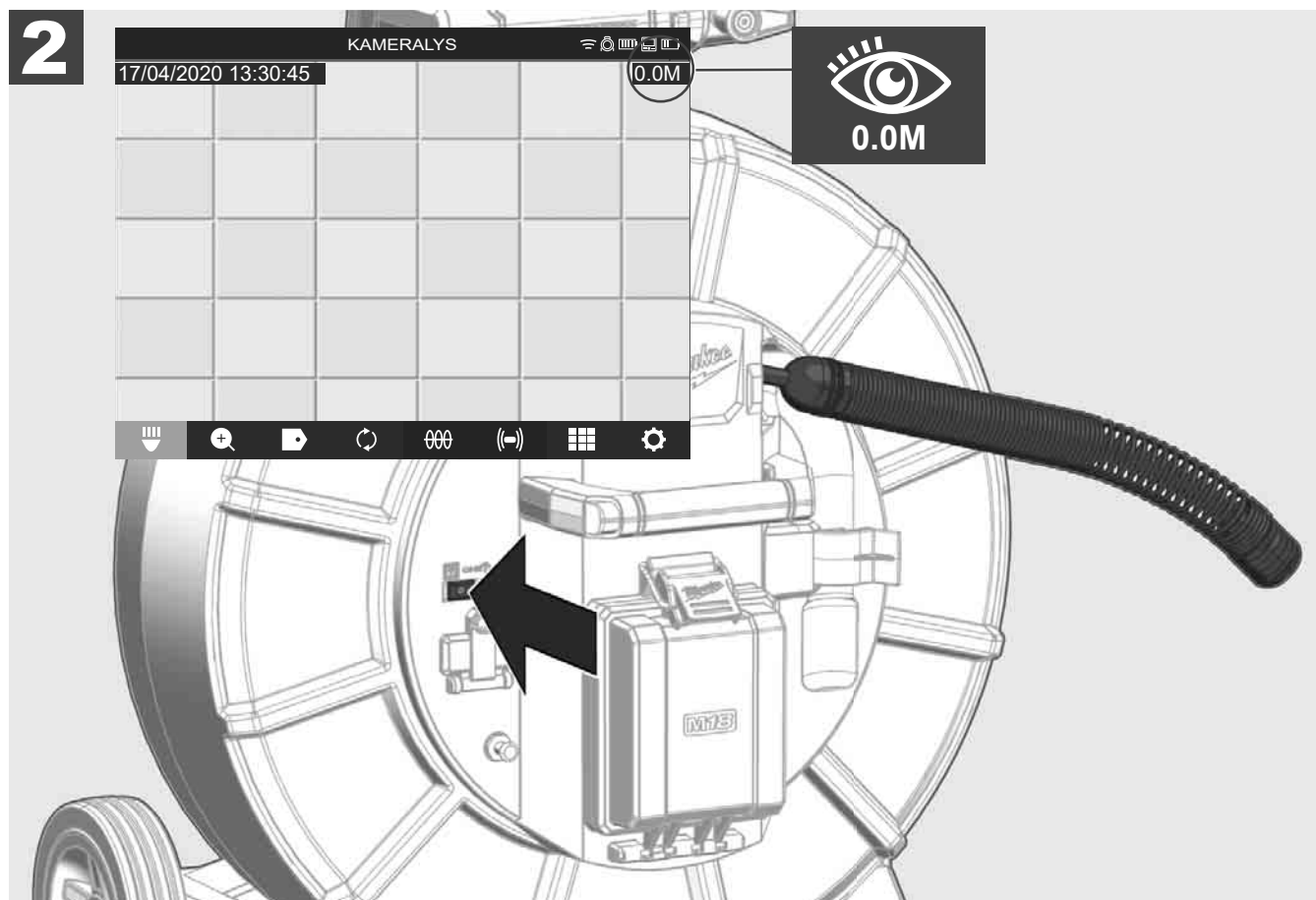
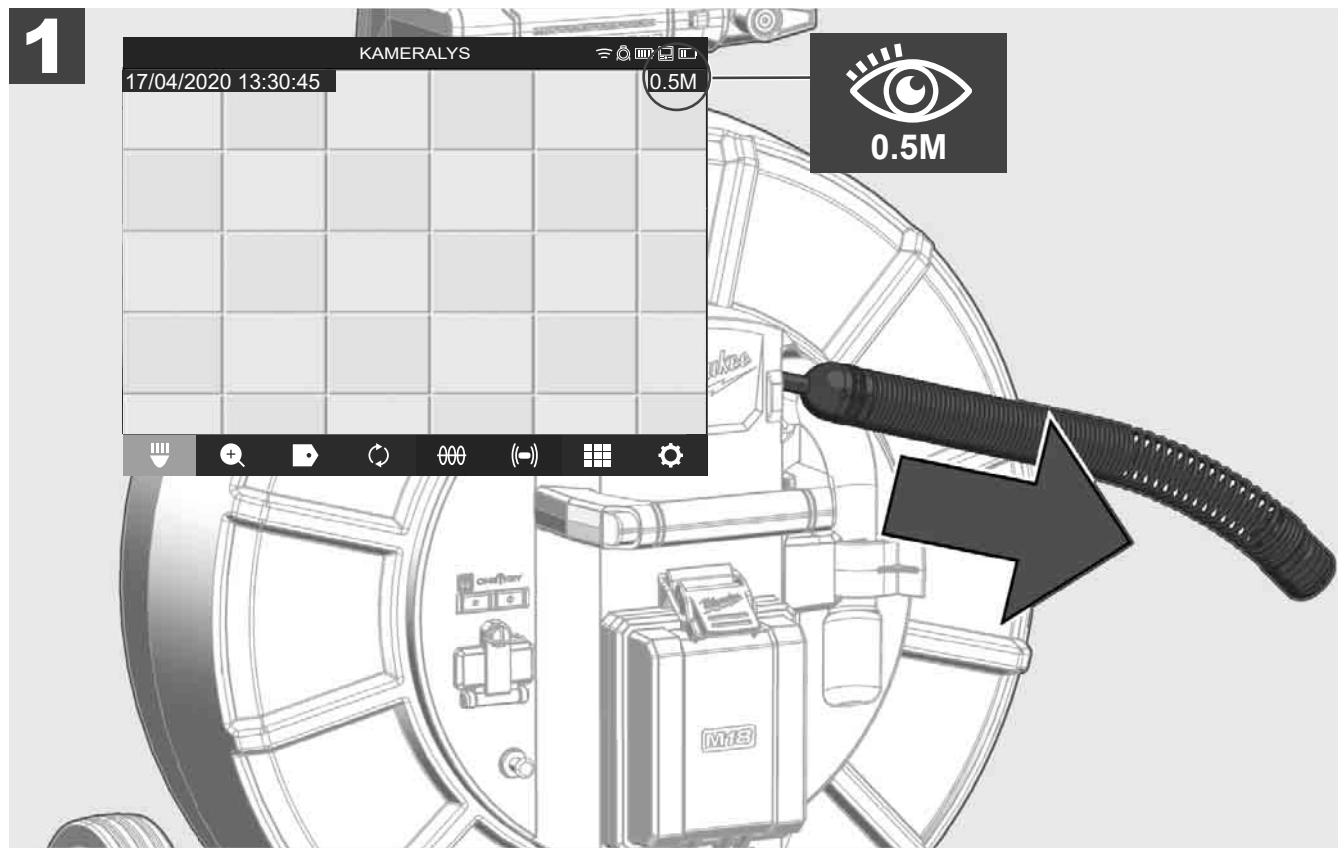


## 2.10 Tilbakestill lengdeteller



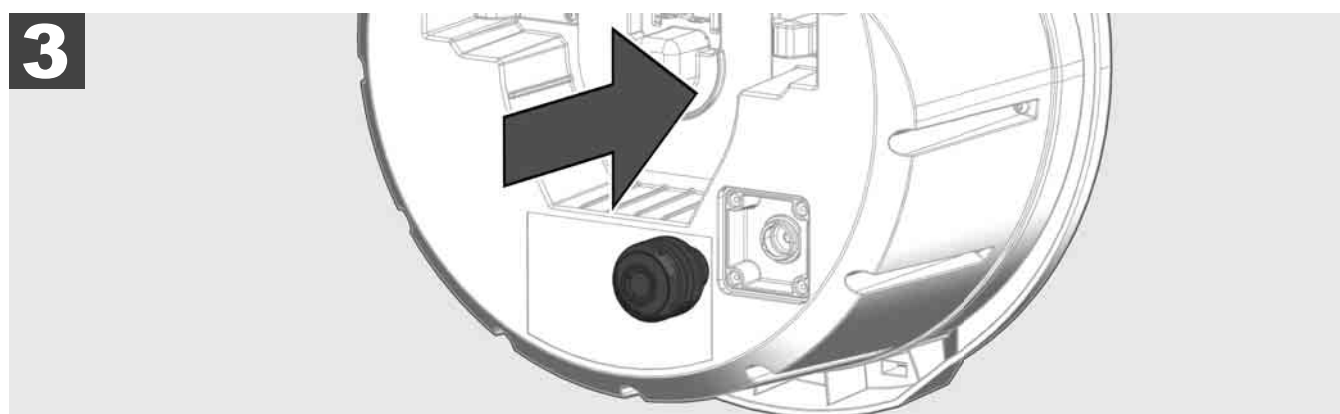
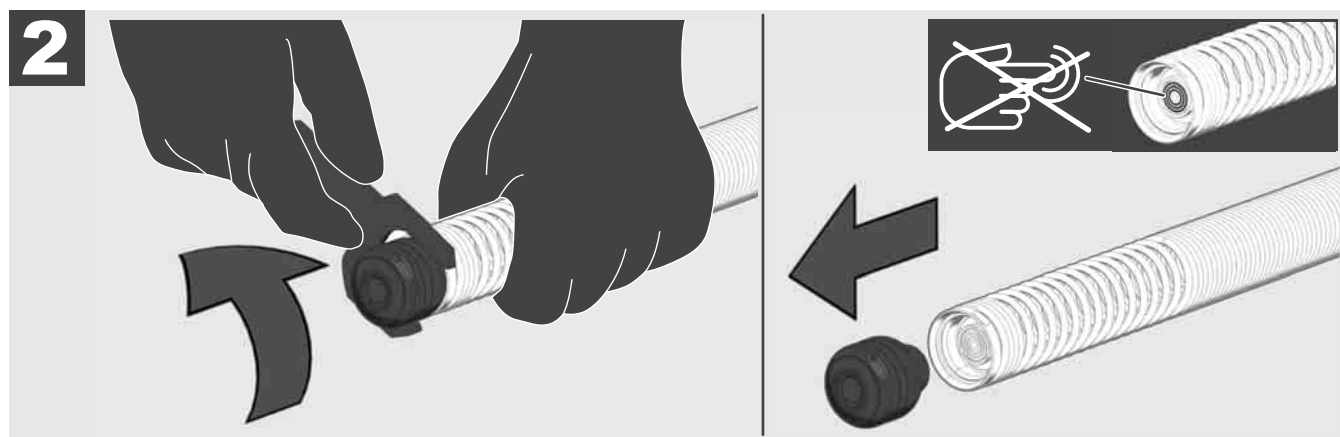
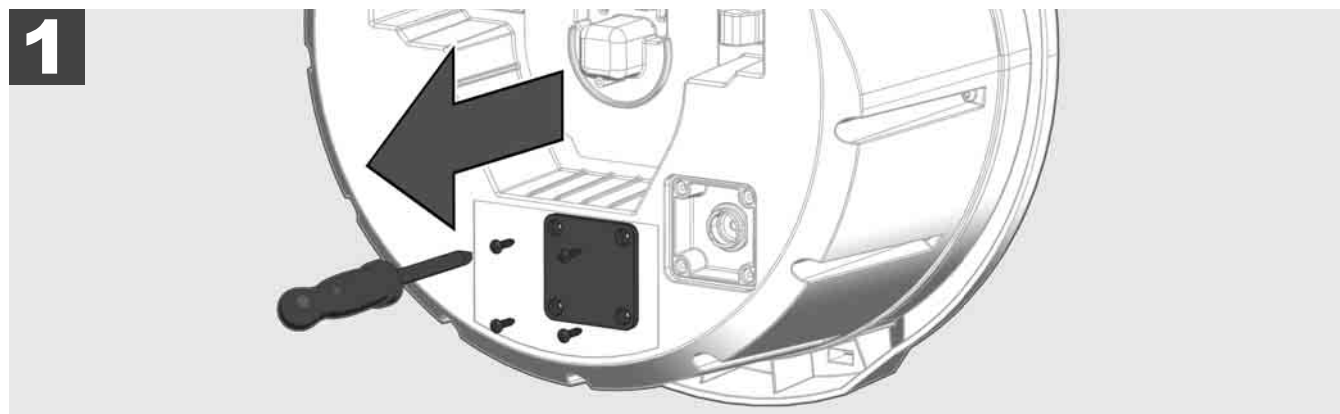
Ved avspoling av RØRINSPEKSJONSTROMMELEN vises lengden til den avspolede kabelen på statuslinjen til den trådløse monitoren M18 SIM.

For å tilbakestille visningen, trykk på knapp .




## 2.11 Kamera-testtilkobling

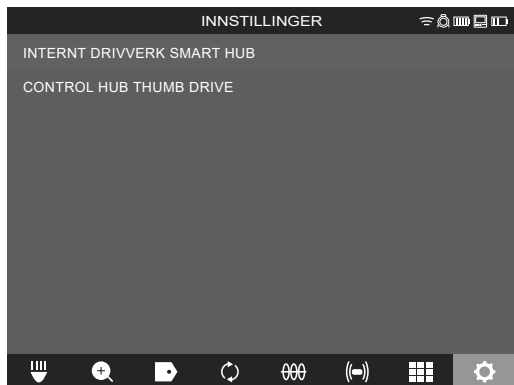
Dersom det skulle oppstå problemer med kamerahodet, kan kameraet kontrolleres via testtilkoblingen.



## 2.12 Formatering av internt drivverk og USB-minnepinne

Med denne funksjonen kan du formatere det interne 500-GB-drivverket til Smart Hub eller USB-minnepinnen. USB-minnepinnen må formateres i FAT32-format.

1. Velg **INNSTILLINGER**  → **FORMATERE MINNET**
2. Velg ut minnet.



3. Bekreft meldingen på bildeskjermen.



Det valgte drivverket formateres, og systemet vender tilbake til menyen **INNSTILLINGER**.

## 2.13 Fabrikkinstillinger

Valget av funksjonen Fabrikkinstillinger tilbakestiller Smart Hub M18 SISH til verdiene som var innstilt i fabrikk.

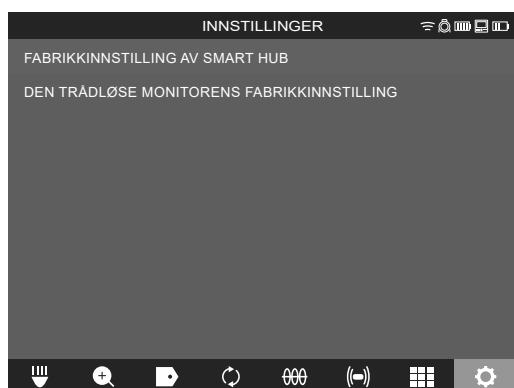
De følgende innstillingene av Smart Hub M18 SISH tilbakestilles:

- ETIKETTER slettes.
- VIDEO- OG BILDE-innstillinger tilbakestilles til 1080 P.
- FIRMANAVNET slettes.
- SONDEFREKVENSEN tilbakestilles til fabrikkinnstillinger.
- KABELSPORINGEN tilbakestilles til fabrikkinnstillinger.
- BILDESKJERMINNSTILLINGENE tilbakestilles til fabrikkinnstillinger: fargetone, lysstyrke, kontrast, metning.
- MÅLEENHETER

1. Velg **INNSTILLINGER**  → **FABRIKKINNSTILLINGER**



2. Velg **FABRIKKINNSTILLINGER** Smart Hub M18 SISH.



3. Les og bekreft denne tilbakestillingsmeldingen med OK.



Tilbakestillingen til fabrikkinnstillinger er avsluttet, og systemet vender tilbake til undermeny **FABRIKKINNSTILLINGER**.

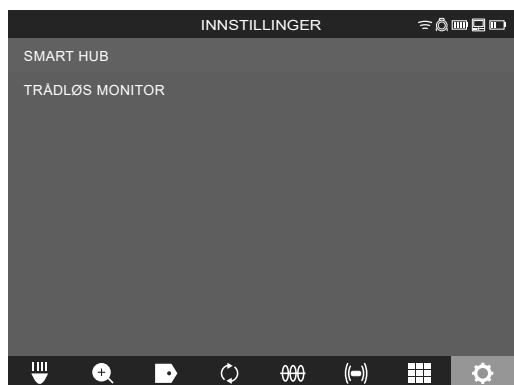
## 2.14 Systemoppdatering

Før systemet oppdateres, må du åpne menyen **INNSTILLINGER** → **INFO** og notere fastvarens aktuelle versjon. Oppdateringer av fastvare kan enten gjennomføres vha. den trådløse monitoren M18 SIM eller med et nettbrett med Milwaukee® rørinspeksjonsappen.

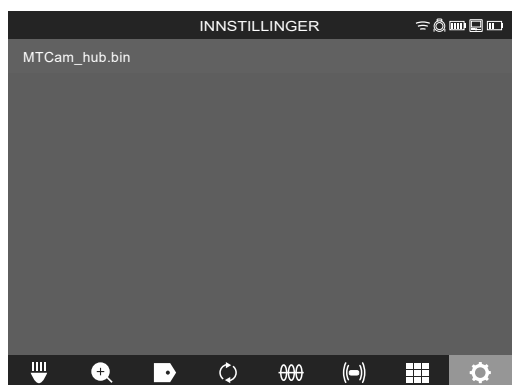
1. Slå på Smart Hub M18 SISH og den trådløse monitoren M18SIM eller nettbrettet med Milwaukee® rørinspeksjonsappen.
2. Forviss deg om at den trådløse monitor M18 SIM eller nettbrettet er koblet til Smart Hub M18 SISH via WiFi. Dersom det ikke finnes noen WiFi-forbindelse, må denne først opprettes.
3. Stikk USB-minnepinnen med oppdateringen av fastvaren inn i USB-A-porten til Smart Hub M18 SISH.
4. Velg **INNSTILLINGER** → **SYSTEM-UPDATE**



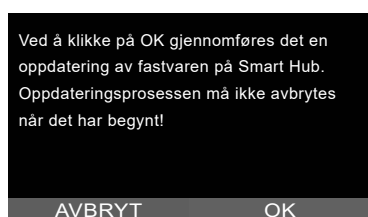
5. Velg Smart Hub M18 SISH.



6. Filnavnet til oppdateringen vises på bildeskjermen. Velg **FILNAVN** for å starte oppdateringen.

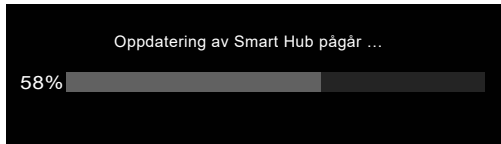


7. Les og bekreft denne advarselen med OK.





8. På en fremdriftsviser vises fremdriften av oppdateringen.



9. Når oppdateringen er ferdig, kommer det en melding til syne som må bekreftes. Velg OK for å starte systemet på nytt.



10. Velg **INNSTILLINGER** → **INFO** for å kontrollere om fastvareversjonen har blitt aktualisert.

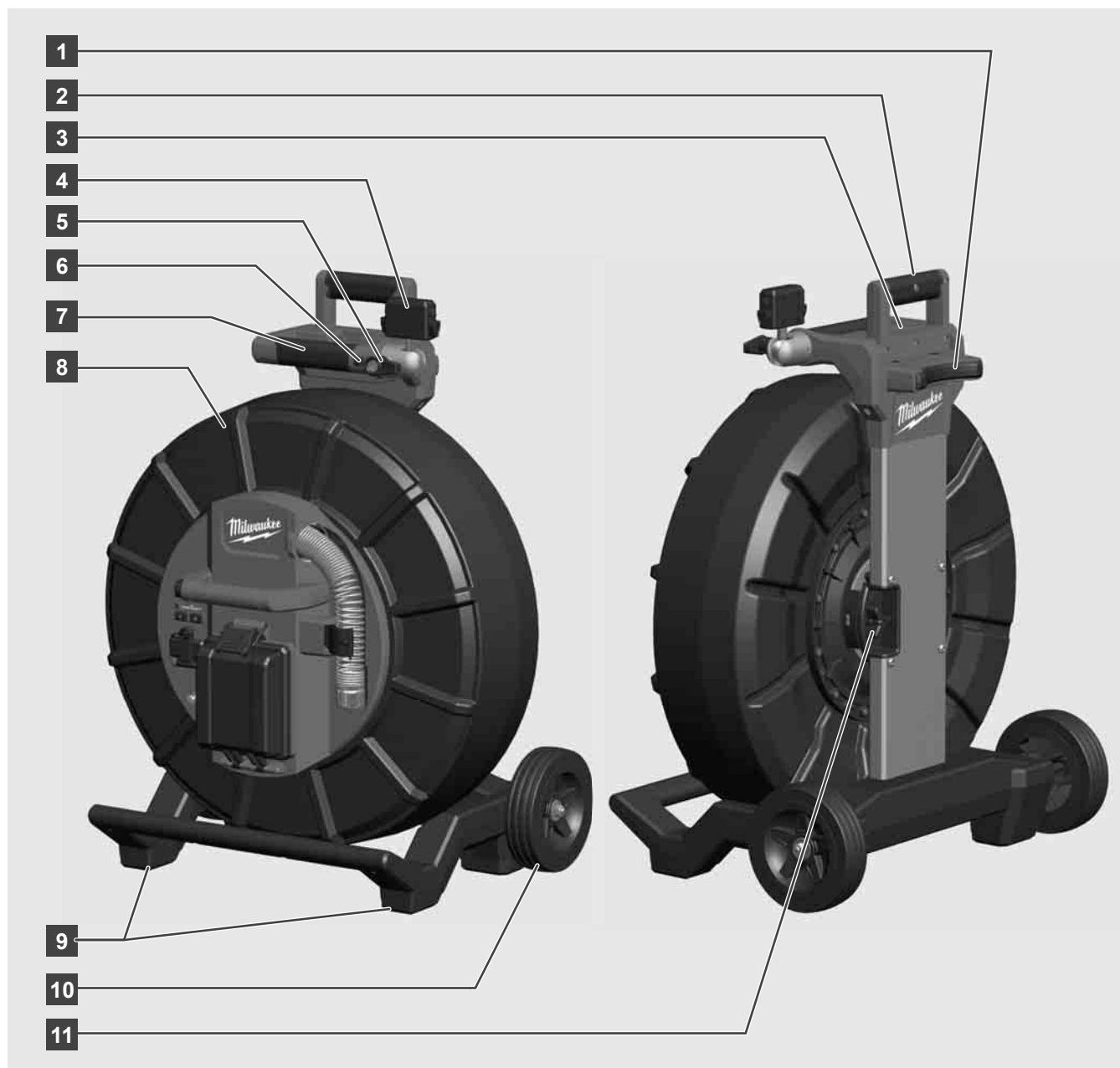
## 3 RØRINSPEKSJONSTROMLER

### 3.1 Oversikt rørinspeksjonstromler M18 SIC36



- 1 Justeringsfot for horisontal bruk
- 2 Trådløs monitor M18 SIM – holder og tilkobling for nettbrett
- 3 Trådløs monitor M18 SIM – rotasjonsretning
- 4 Trådløs monitor M18 SIM – tippelås
- 5 Håndtak
- 6 Kabeltrommel med skyvekabel
- 7 Justeringsfot for vertikal bruk
- 8 Kabeltrommelbrems
- 9 Justeringsfot for horisontal bruk
- 10 Bæreinnetning

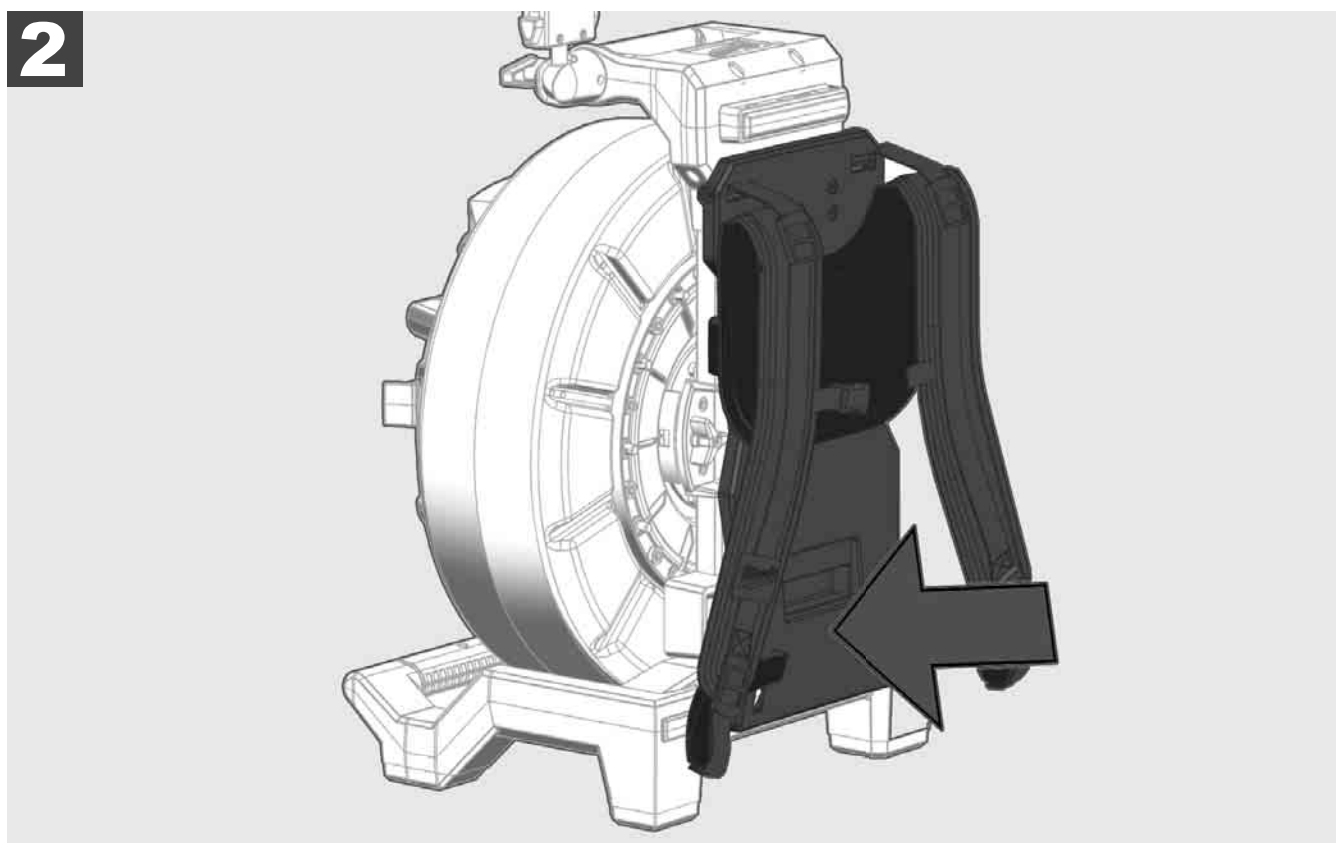
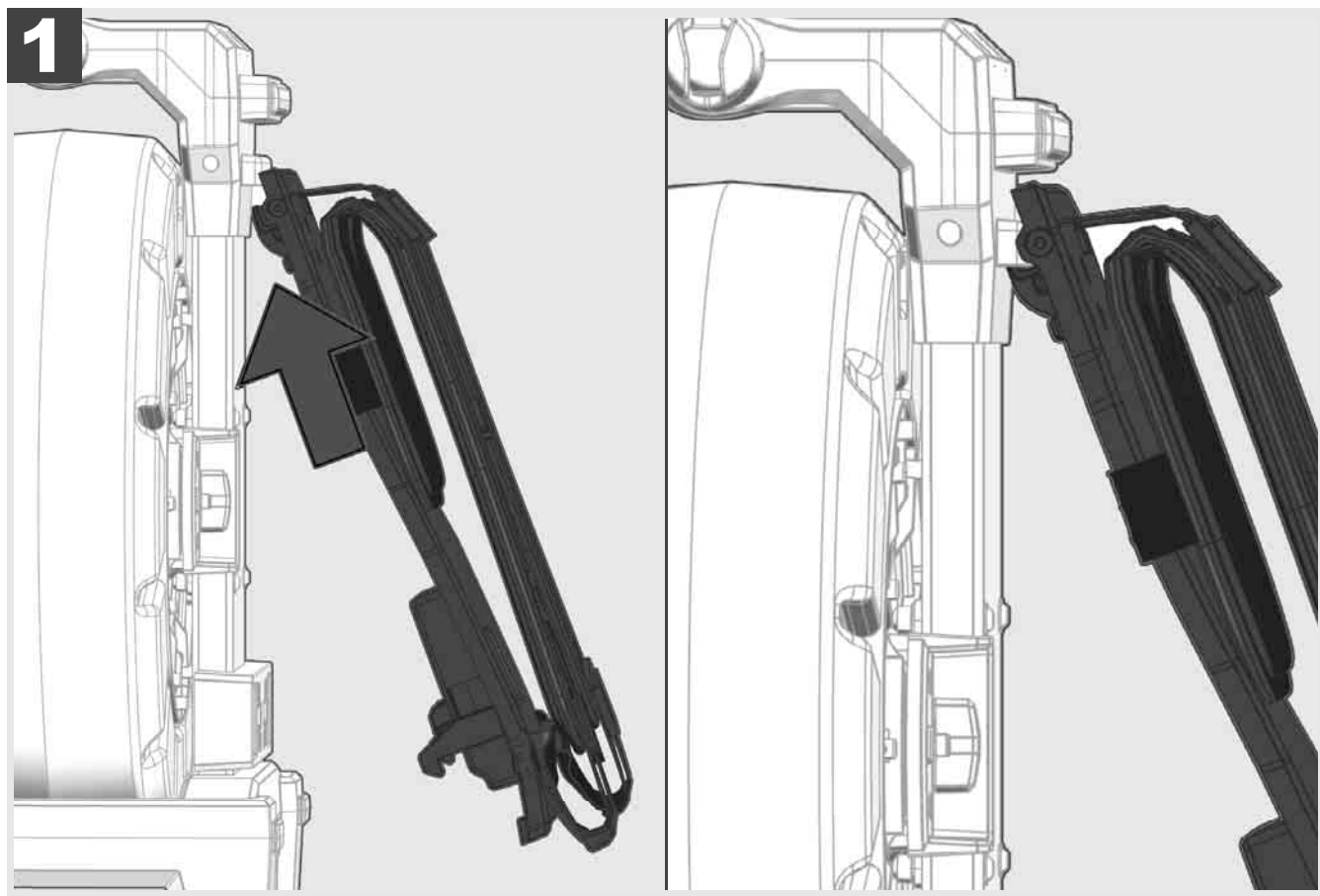
### 3.2 Oversikt rørinspeksjonstromler M18 SIC60



- 1 Justeringsfot for horisontal bruk
- 2 Uttrekkbart håndtak (i innskjøvet stilling)
- 3 Knapp til låsing og opplåsing av det uttrekkbare håndtaket
- 4 Trådløs monitorM18 SIM – holder/nettbrettholder og -tilkobling
- 5 Trådløs monitorM18 SIM – rotasjonslås
- 6 Trådløs monitorM18 SIM – tippelås
- 7 Håndtak
- 8 Kabeltrommel med skyvekabel
- 9 Justeringsfot for vertikal bruk
- 10 Hjul
- 11 Kabeltrommelbrems

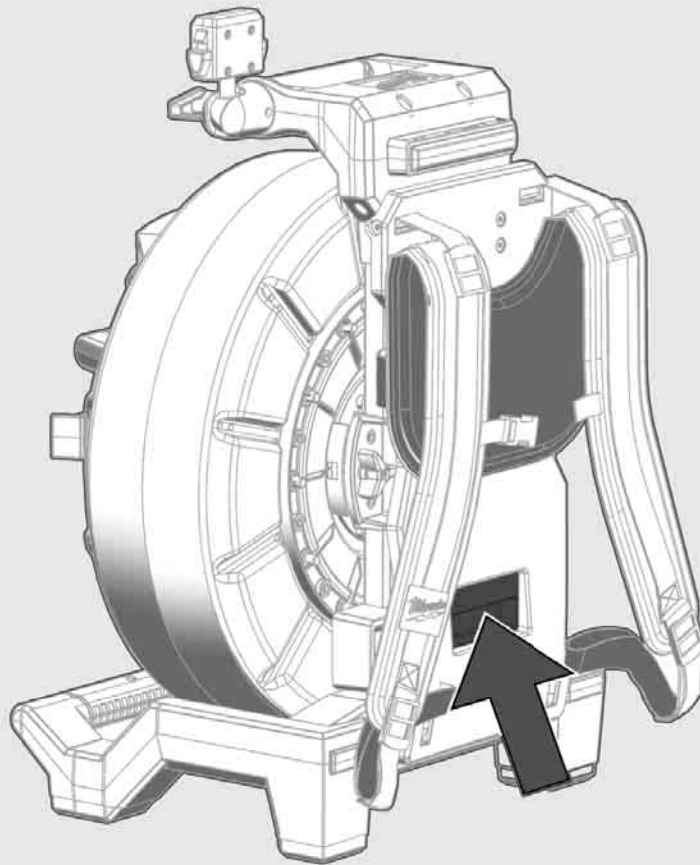
### 3.3 Installasjon av bæreinnetning

RØRINSPEKSJONSTROMMELEN M18 SIC36 er utstyrt med en bæreinnetning som trommelen kan bæres med på ryggen som en ryggsekk. Med denne bæreinnetningen kan den lille trommelen problemløst transporteres til bruksstedet, noe som er særlig praktisk når man må gå i trapper eller ved bruk på stiger.

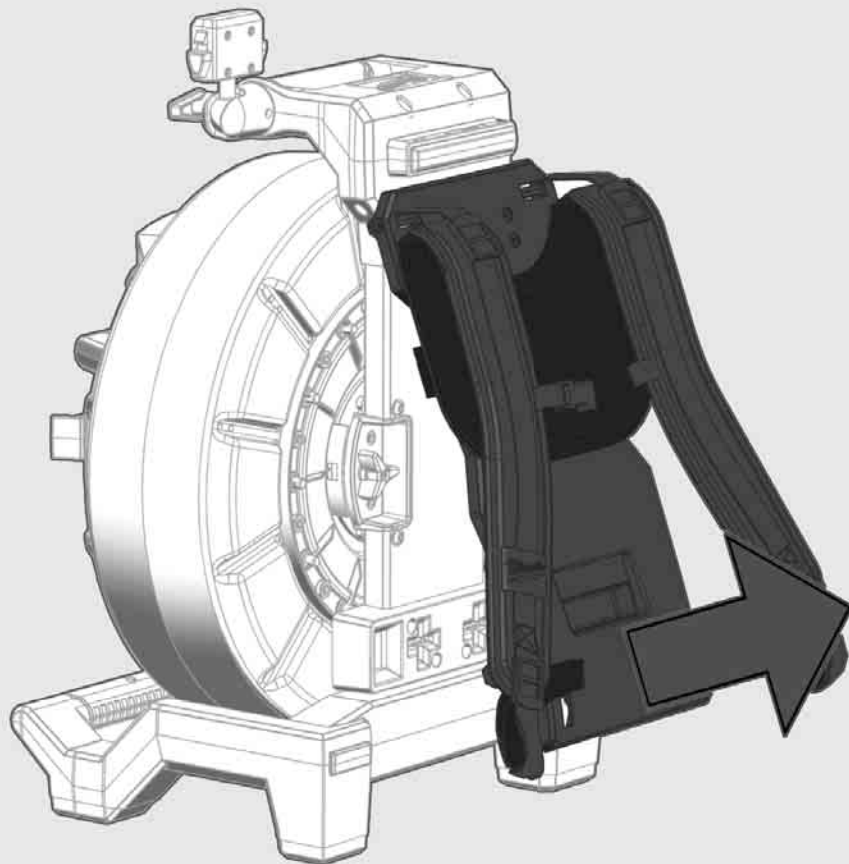


Huk fast bæreinnetningen øverst og trykk med håndballen mot undersiden inntil bæreinnetningen smekker i lås. Trekk kort i bæreinnetningen for å sikre at den har smekket i lås.

**1**

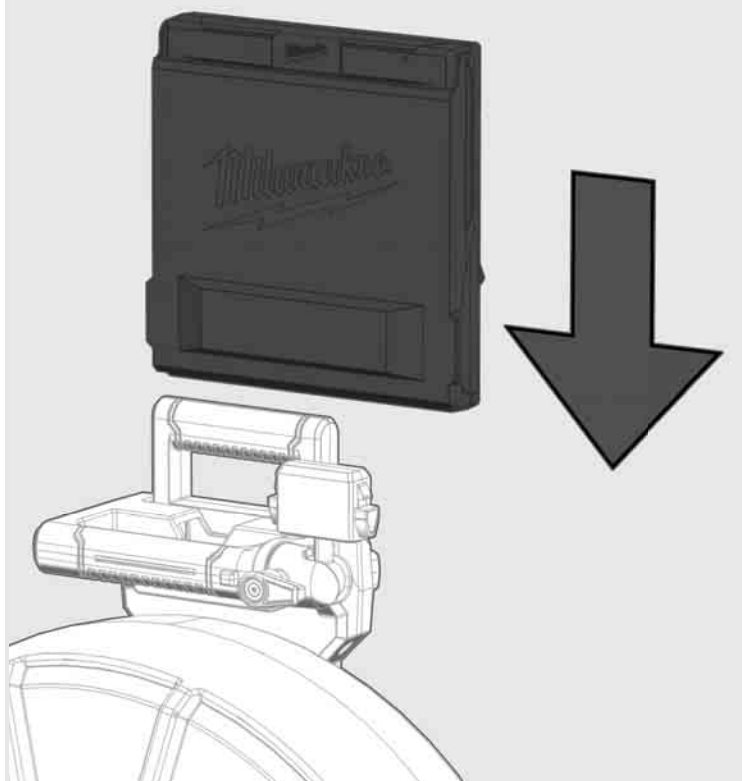


**2**

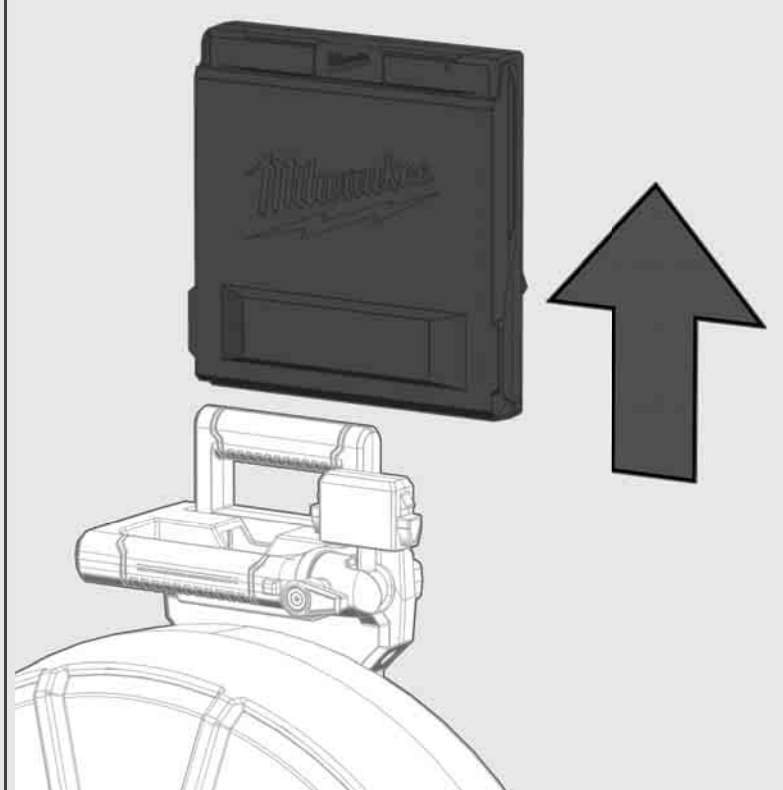
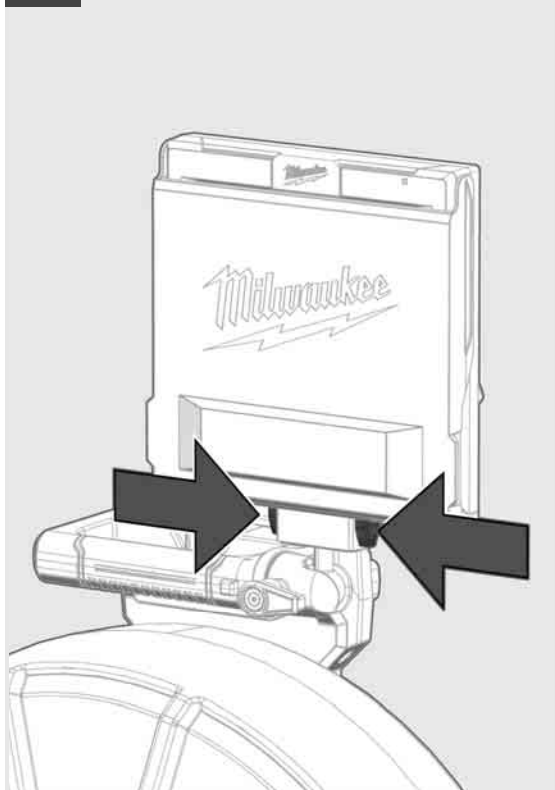




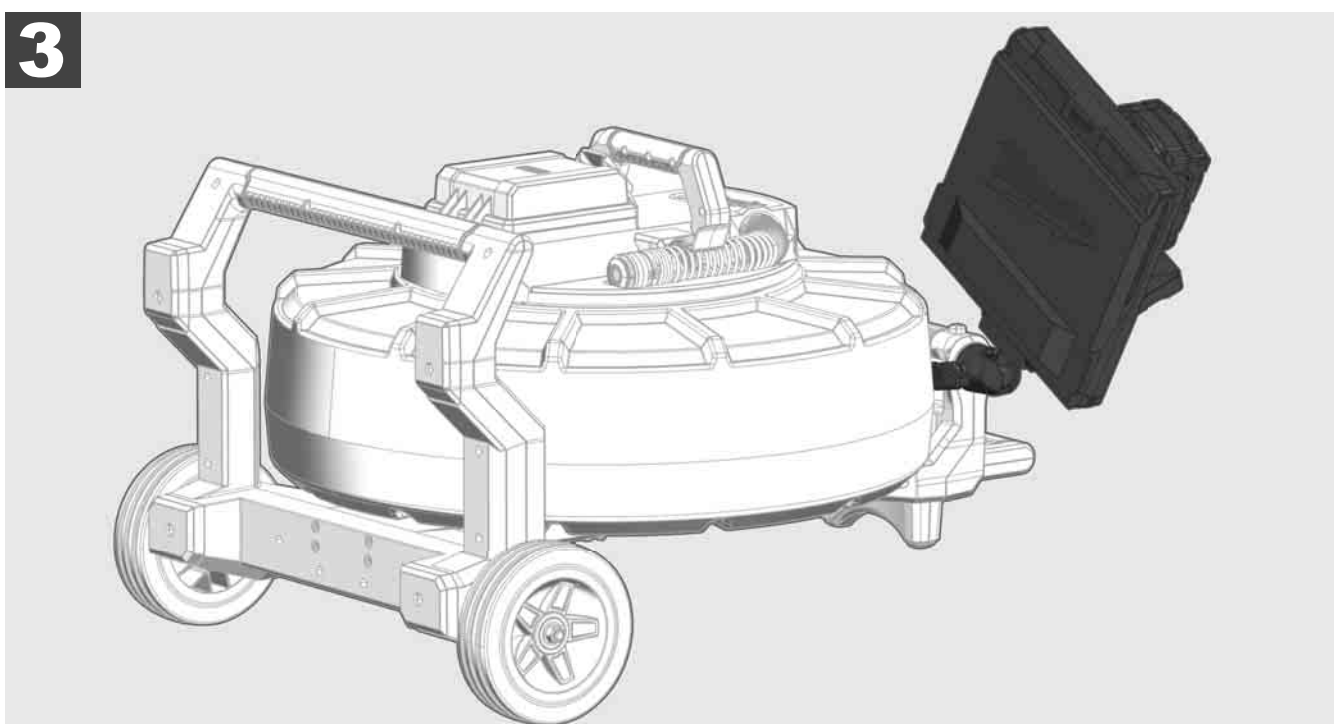
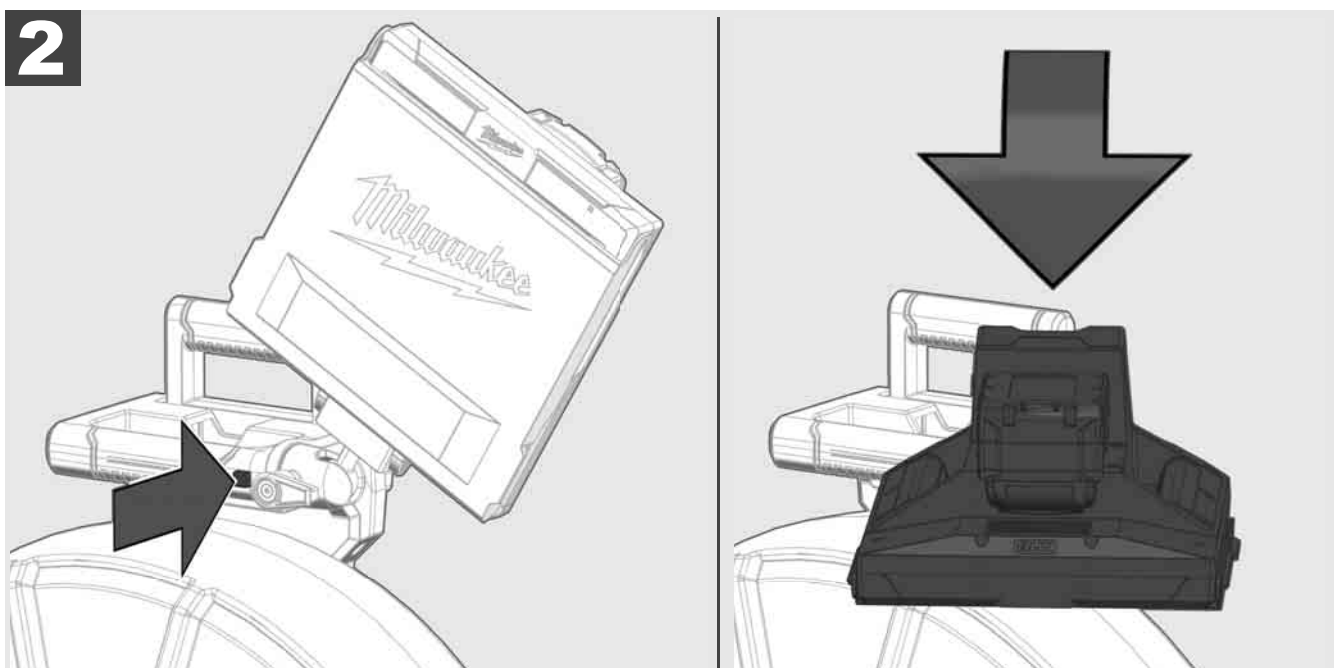
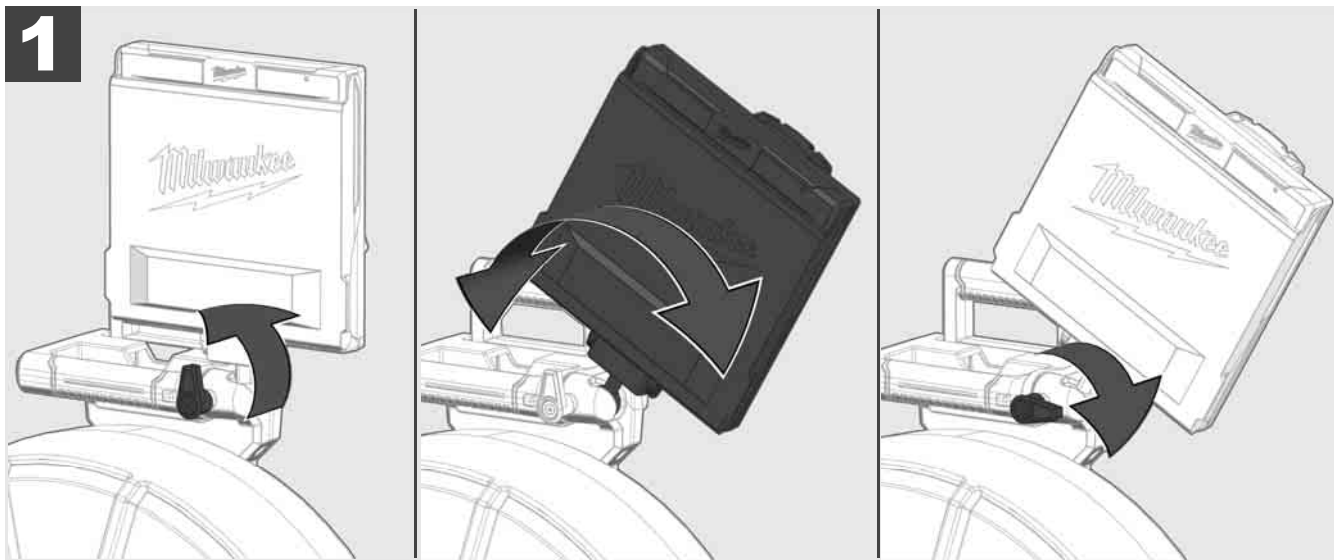
**1**



**2**



### 3.6 Innstilling av trådløs monitor M18 SIM

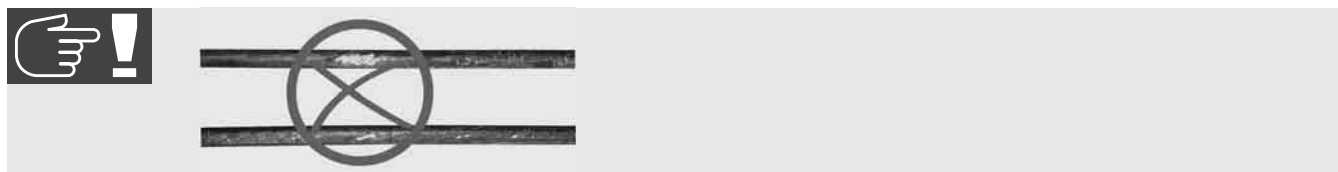


### 3.7 Bruk av rørinnspeksjonstrummel



Kontroller skyvekabelen for tegn på slitasje – Kontroller kabelen for kutt, knekk og slitasje under oppspolingen. Dersom mantlingen er så avslitt at det gule eller hvite kevlarvevet er synlig, må skyvekabelen skiftes ut. Ved bruk av en skyvekabel med skadd mantling kan det trenge inn vann og fuktighet, noe som har en negativ innflytelse på kameraopptakene eller det kan sågar føre til at kameraet svikter.

Illustrasjonen nedenfor viser eksempler på svært skadde mantlinger. Slike skyvekabler skal skiftes ut så snart som mulig.

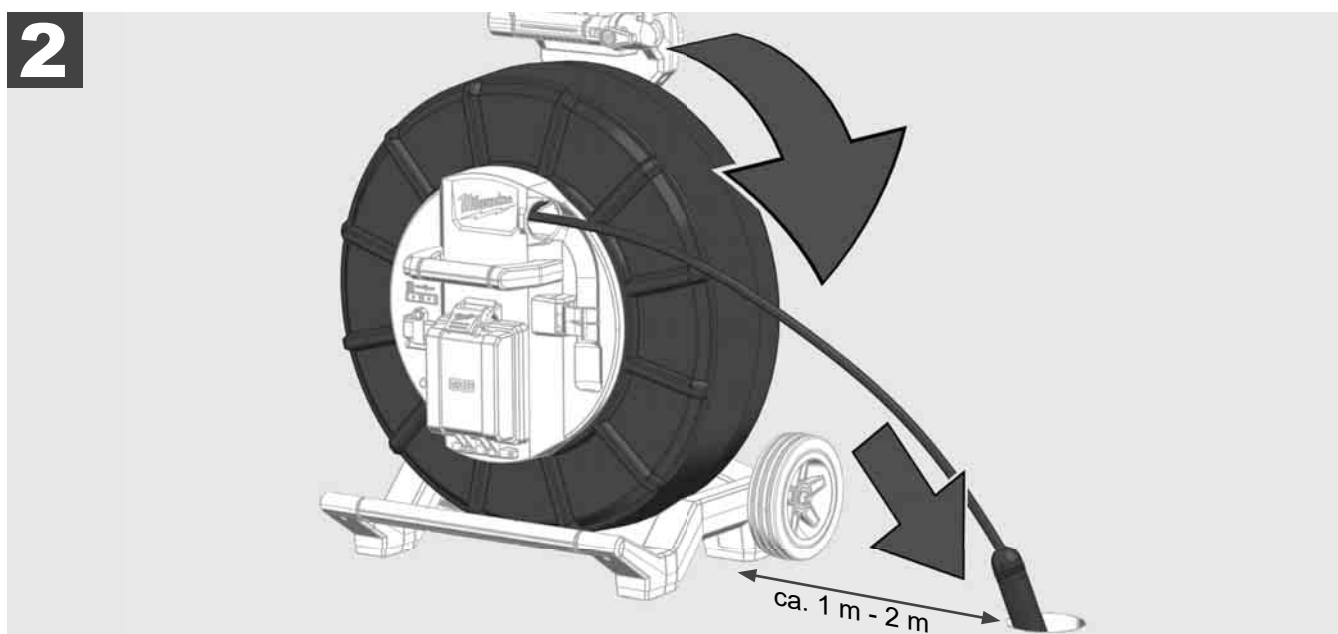
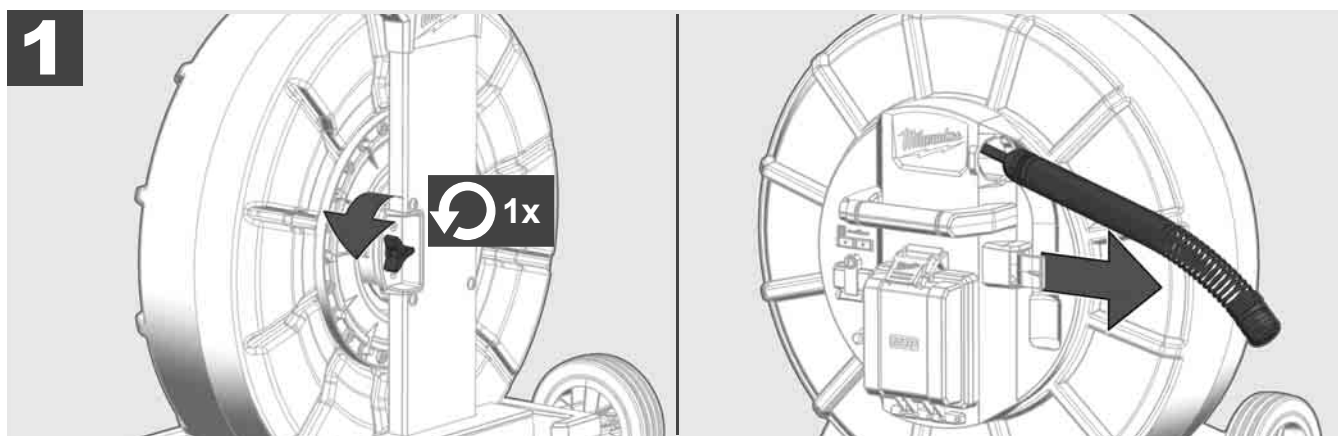


Skyvekabelen og fjærkomponenten skal alltid holdes tørre og rene – Kabelen må alltid rengjøres med en ren, tørr klut når den spoles opp. Når arbeidsdagen er til ende, skal kamerahodet og fjæren holdes under rennende vann, og fjern forurensningsrester forsiktig. Rist tørt og blås rester av vann tørt med lavtrykksluft, la deretter delene få tørke helt. Kamerahode, skyvekabel og tilkoblingsdeler er utsatt for aggressive kjemikalier under det daglige arbeidet. En omhyggelig rengjøring av systemet forlenger disse delenes brukstid.

Vær forsiktig i omgangen med skyvekabelen – trekk ikke skyvekabelen ut av trommelen når denne er låst. Hvis dette ikke overholdes, blir kabelen sammentrykket i trommelen og dermed utsatt for ekstrem belastning. Når skyvekabelen skyves tilbake i trommelen når dette er låst, kan dette føre til at rullen velter, eller kabelen kan knekke av.

Still trommelen opp i en avstand på ca. 1 til 2 meter fra inngangsstedet, på jevn grunn. På denne måten gjenstår det ennå tilstrekkelig plass til å håndtere kabelen, uten at kabelsløyfene trekkes over bakken. Betjen om nødvendig friksjonsbremsen for å retardere skyvekabelens bevegelser.

Hvis trommelen brukes i horisontal posisjon, forstørres flaten mellom føttene. Dette sørger for at trommelen står mer stabilt på ujevn grunn og reduserer dens høyde, noe som er en fordel der det er trangt om plassen.





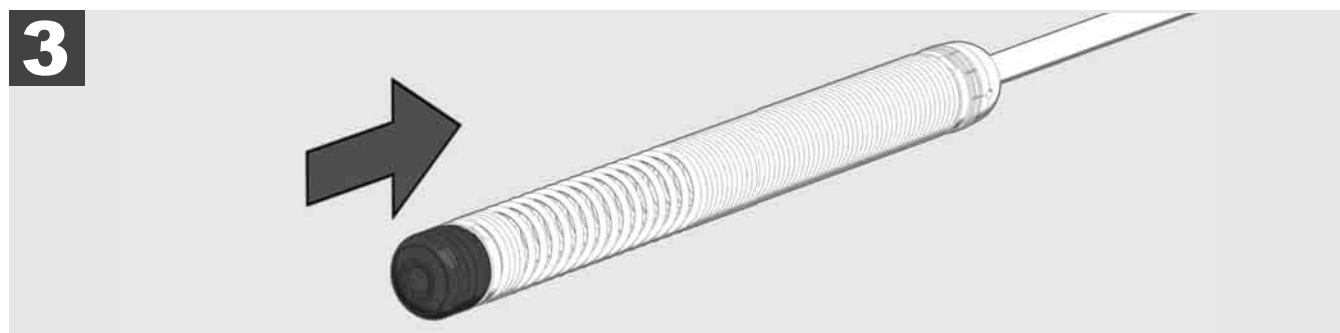
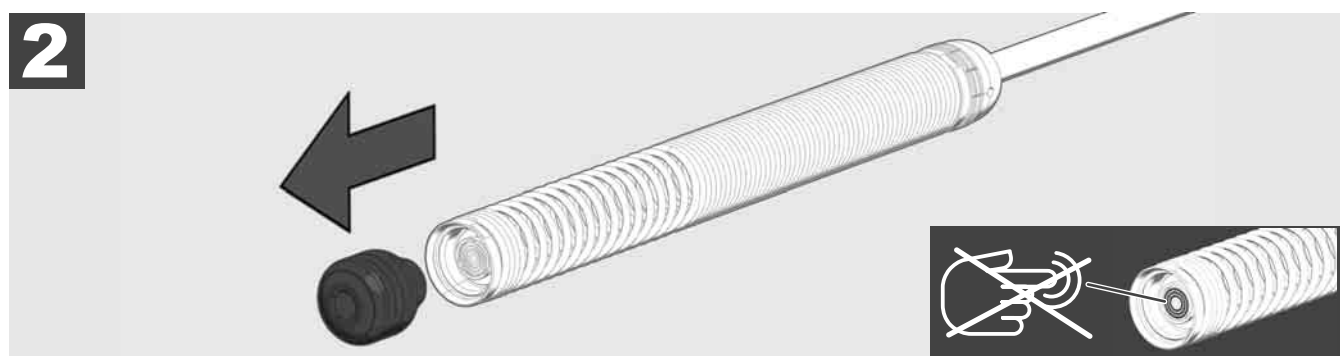
### 3.8 Komponent kamerahode



Unngå hvis mulig å berøre det grønne kretskortet eller gullkontaktene på fjærkomponenten samt kamerahodet med bare hender. Hvis dette ikke overholdes, overføres fettbelegget du har på hendene til disse komponentene, noe som igjen kan føre til at de korroderer svært tidlig. Ha om mulig på deg rene og tørre gummihansker.

Tørk av kamerahodet med en tørr klut før du tar det ut, og fjern smussrester som kan falle ned i kameraets tilkoblingsområde.

Ikke stram til for mye, og ikke bruk for mye makt!



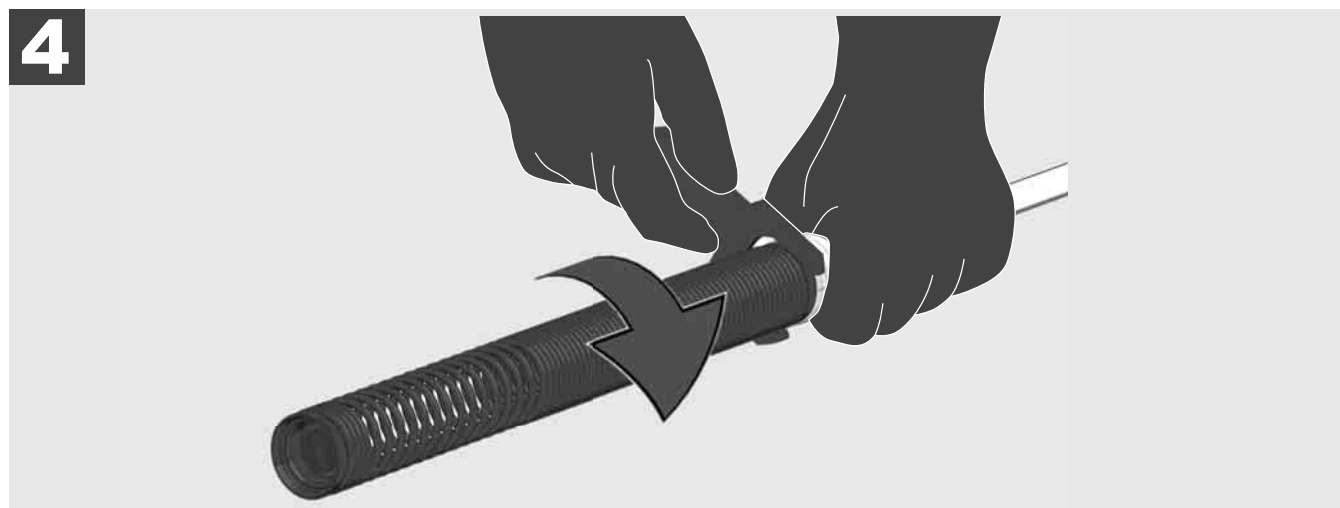
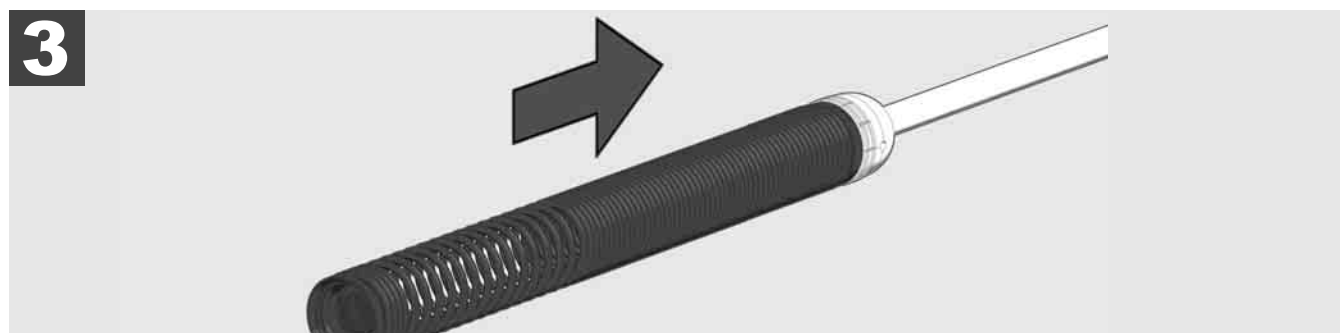
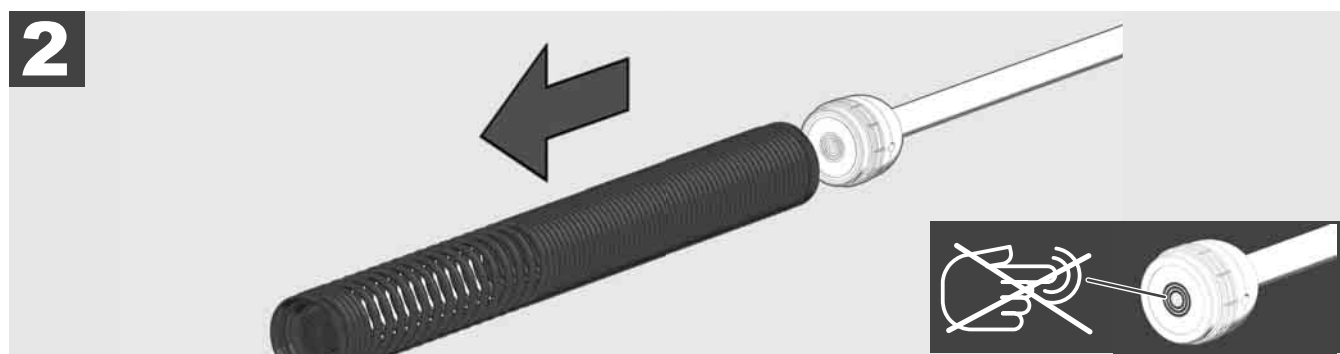
### 3.9 Fjærkomponent



Unngå hvis mulig å berøre det grønne kretskortet eller gullkontaktene på fjærkomponenten samt kamerahodet med bare hender. Hvis dette ikke overholdes, overføres fettbelegget du har på hendene til disse komponentene, noe som igjen kan føre til at de korroderer svært tidlig. Ha om mulig på deg rene og tørre gummihansker.

Tørk av kamerahodet med en tørr klut før du tar det ut, og fjern smusspartikler som kan falle ned i kameraets tilkoblingsområde.

Ikke stram til for mye, og ikke bruk for mye makt!



### 3.10 Verne deksel til kamerahode

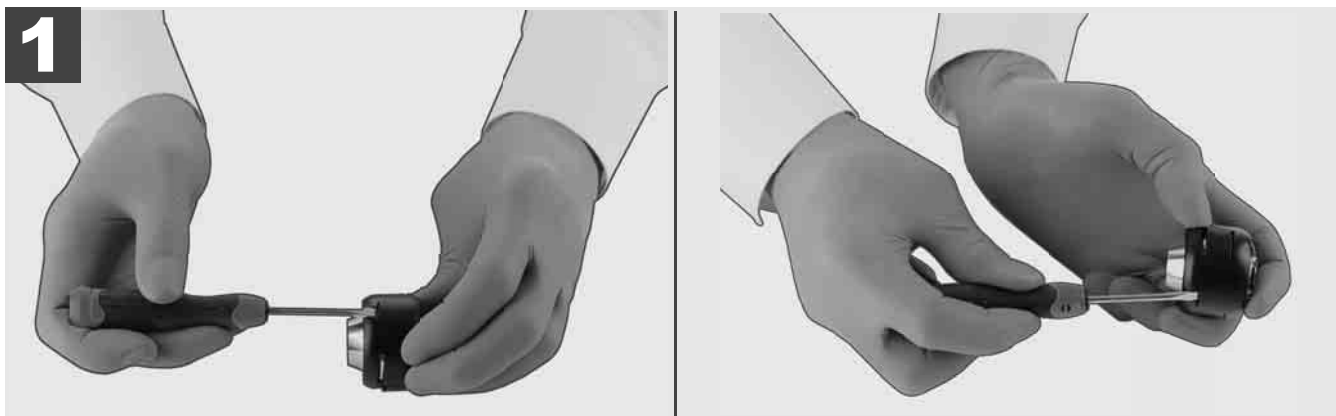


Verne deksler – Passende til kamerahoder med 25 mm eller 34 mm diameter. Disse verne dekslene leveres med alle RØRINSPEKSJONSTROMLER eller reservekamerahoder.

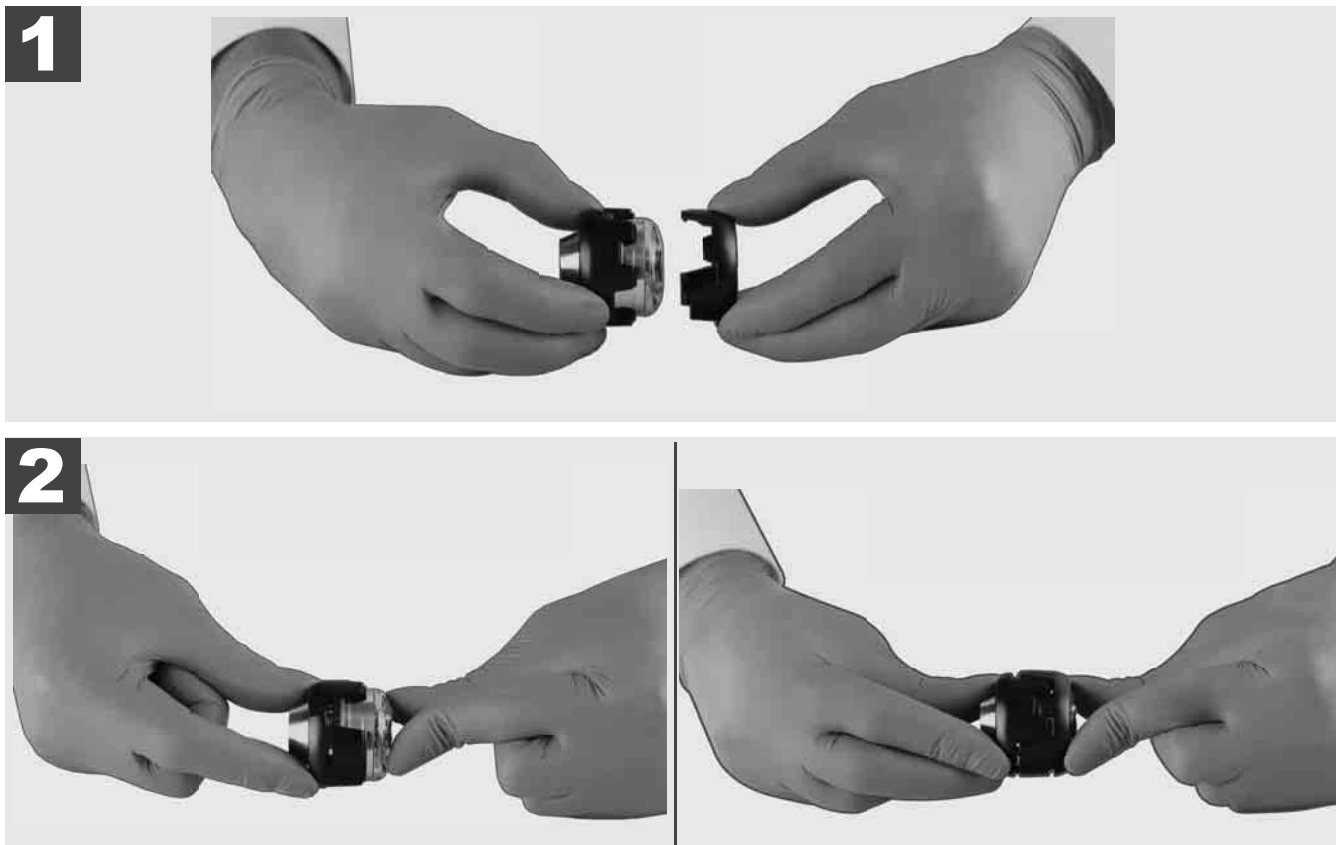
Føringer – De settes på fjærkomponenten slik at kamerahodet farer over bakken og ikke kommer direkte i berøring med røret.



#### Fjerne verne deksel



#### Installere verne deksel



### 3.11 Kameraføringer



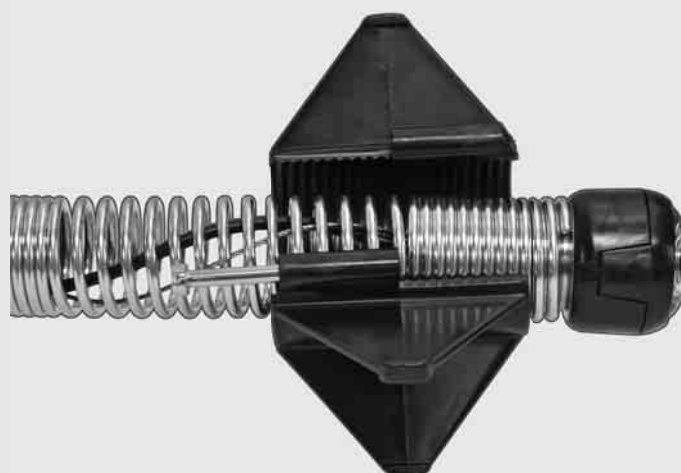
Til de 25 mm eller 34 mm brede kamerahodene er to føringer for hvert hode tilgjengelig: En liten utførelse med 75 mm og en middels utførelse med 100 mm.

Kameraføring 25 mm

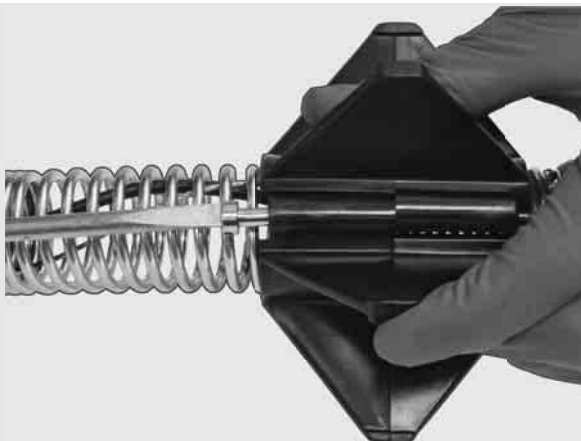
Kameraføring 34 mm



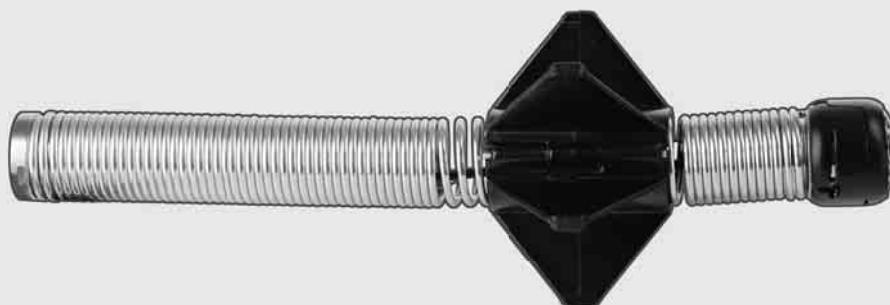
**1**



**2**



**3**



### 3.12 Service og support


Dersom ditt RØRINSPEKSJONSSYSTEM må repareres, kommer du til Milwaukee-verktøy via katalogen SERVICE & SUPPORT, der finner du alle viktige telefonnumre.

Velg **INNSTILLINGER** → **SERVICE & SUPPORT**




**Milwaukee**  
Nothing but **HEAVY DUTY**®

click →



**M18 SIC36**  
**M18 SIC60**  
**M18 SISH**

click →



**M18 SIM**

click

1	Allmänna kommentarer .....	2
1.1	Särskilda säkerhetsföreskrifter för rörinspektionssystem.....	2
1.2	Ytterligare säkerhets- och arbetsanvisningar.....	2
1.3	Tekniska data .....	3
1.4	Avsedd användning.....	3
1.5	Radiofrekvenskrav i förhållande till europeiska installationer .....	3
1.6	EG-Försäkran överensstämmelse .....	4
1.7	ONE-KEY™ .....	4
1.8	Uppladdningsbara batterier.....	4
1.9	Transportera uppladdningsbara litium jon batterier.....	4
1.10	Underhåll.....	4
1.11	Symboler.....	5
2	Smart Hub M18 SISH .....	6
2.1	Översikt Smart Hub M18 SISH .....	6
2.2	Sätta i och ta ur det uppladdningsbara batteriet .....	7
2.3	Kontrollera batterinivån .....	8
2.4	Sätt i Smart Hub M18 SISH .....	9
2.5	Ta ur Smart Hub M18 SISH .....	10
2.6	På/av knapp .....	11
2.7	Ansluta skärm .....	12
2.8	USB-portar .....	13
2.9	Jordningsstav .....	14
2.10	Återställa längdräknare .....	15
2.11	Kamera-testport .....	16
2.12	Formatera intern enhet och USB-minne .....	17
2.13	Fabriksinställningar .....	18
2.14	Systemuppdatering .....	19
3	RÖRINSPEKTIONSTRUMMOR .....	21
3.1	Översikt rörinspektionstrumma M18 SIC36 .....	21
3.2	Översikt rörinspektionstrumma M18 SIC60 .....	22
3.3	Installera bäranordning .....	23
3.4	Ta bort bäranordning .....	24
3.5	Installera trådlös skärm M18 SIM .....	25
3.6	Ställa in trådlös skärm M18 SIM .....	26
3.7	Användning av rörinspektionstrumman .....	27
3.8	Komponentgrupp med kamerahuvud .....	28
3.9	Fjädergrupp .....	29
3.10	Kameraskyddskåpa .....	30
3.11	Kameragejder .....	31
3.12	Service och support .....	32

## 1.1 Särskilda säkerhetsföreskrifter för rörinspektionssystem

Se vid arbeten i rör till att dessa inte står under spänning eller är elektriskt laddade. Rören får inte innehålla någon vätska. Kameran och apparaten får inte komma i kontakt med vätska.

Kameran och kabeln får inte komma i kontakt med olja, gaser eller andra korrosiva material.

För att minska risken för explosion, elstöt och materialskador, kontrollera alltid arbetsområdet innan arbetet påbörjas. Kabeln får inte komma i kontakt med elektriska komponenter, kemikalier eller rörliga delar.

För att minska risken för skador på kameran, använd inte mycket kraft och knäck inte kabeln. Använd inte inspektionskameran och kabeln i områden där de kommer i kontakt med frätande eller oljiga substanser.

Använd inte kabeln för att avlägsna tilltäppningar eller hinder. Detta är ingen rörrensare!

Om avloppsröret som ska inspekteras skulle kunna innehålla kemikalier, bakterier eller andra toxiska substanser resp. infektionalstrare, ska du under de av tillverkaren rekommenderade skyddshandskarna, använda latex- eller gummihandskar samt skyddsglasögon, ansiktsskydd, skyddskläder och andningsmask. Rörledningarna kan innehålla kemikalier, bakterier eller andra substanser som kan vara toxiska eller infektionalstrande och som kan orsaka frätskador eller andra allvarliga personskador.

Följ hygienföreskrifterna. Rök eller ät inte medan du arbetar med apparaten. Efter hantering eller användning av rörinspektionssystemet ska man alltid tvätta händerna och andra kroppsdelar som har kommit i kontakt med rörinnehållet med varmt vatten och tvål. Därigenom undviker du hälsorisker på grund av kontakt med toxiska och infektionalstrande ämnen.

Kontrollera innan användning om kabeln uppvisar förslitningsspår eller skador. Byt ut en sliten eller skadad spiral innan du använder apparaten.

**OBSERVERA!** Vid transport av rörinspektionssystemet med hjälp av bäranordningen på ryggen måste du vara försiktig. Du kan förlora balansen.

Var alltid noggrann och försiktig när du använder apparaten. Det är omöjligt att förutse alla möjliga farliga situationer. Använd inte den här apparaten om du inte förstår den här bruksanvisningen eller om du tycker att du inte klarar av arbetet. För ytterligare information eller utbildning, kontakta Milwaukee en kvalificerad sakkunnig person.

Ta inte bort dekalerna eller typskyltar. Dessa skyltar innehåller viktig information. Om dessa skyltar inte längre är läsbara eller saknas, kontakta MILWAUKEE-kundtjänst för att få nya utan kostnad.

Vissa damm som uppstår på grund av slip-, såg-, och bormaskiner eller på grund av andra byggarbeten kan innehålla kemiska substanser som är cancerframkallande, kan leda till skador vid födseln eller påverkar fortplantningsförmågan. Exempel på sådana typer av kemiska substanser är:

- bly i blybaserade färger,
- kristallin kiseltsyra från tegelstenar, cement eller andra murverksprodukter, liksom
- arsenik eller krom från kemiskt behandlat byggvirke.

Exponeringsrisken beror på hur ofta du utför denna typen av arbete. För att hålla exponeringsrisken så liten som möjligt, arbeta alltid i väl ventilerade områden. Bär en officiellt godkänd skyddsutrustning, som till exempel dammasker med mikropartikelfilter.

## 1.2 Ytterligare säkerhets- och arbetsanvisningar

Byt inte ut batteriet om verktygets yta är våt.

Förbrukade uppladdningsbara batterier får inte förbrännas eller kastas i hushållssoporna. Milwaukee-återförsäljare erbjuder en miljövänlig avfallshantering av förbrukade uppladdningsbara batterier.

Förvara inte uppladdningsbara batterier tillsammans med metallföremål (risk för kortslutning).

Ladda bara upp det uppladdningsbara batteriet för system M18 med laddare för system M18. Använd inga uppladdningsbara batterier från andra system.

Under extrem belastning eller extrem temperatur kan batterivätska tränga ut ur skadade uppladdningsbara batterier. Vid beröring med batterivätska tvätta genast av med vatten och tvål. Vid ögonkontakt skölj omedelbart ögonen grundligt under minst 10 minuter och uppsök utan dröjsmål en läkare.

**Varning!** För att undvika brandfara, risk för personskador eller skador på produkten, vilka kan orsakas av kortslutning, sänk inte ner apparaten, det uppladdningsbara batteriet eller laddare i vätskor och se till att inga vätskor kan tränga in. Korroderande eller ledande vätskor, som saltvatten, vissa kemikalier och blekmedel eller produkter som innehåller blekmedel, kan orsaka en kortslutning.

Denna produkt får inte användas och rengöras av personer med nedsatt fysisk eller mental förmåga eller personer med bristande erfarenhet eller kunskap, förutsatt att de inte har instruerats om hur produkten ska hanteras på ett säkert sätt av en person som enligt lag är ansvarig för deras säkerhet. Ovan nämnda personer ska stå under uppsikt när de använder produkten. Produkten ska förvaras oåtkomligt för barn. När produkten inte används ska den därför förvaras säkert och utom räckhåll för barn.

### 1.3 Tekniska data

	M18 SIC36	M18 SIC60	M18 SISH
Kamerakabellängd .....	36 m.....	60 m	
Kamerahuvud .....	ø 25 mm.....	ø 34 mm	
Max förstoring .....	4x .....	4x	
Batterispänning .....			18 V
Vikt enligt EPTA-procedur 01/2014 (4.0 Ah / 12 Ah) .....	12,4 kg.....	20,46 kg.....	5,37 kg
Bluetooth-frekvensband (frekvensband) .....			2402-2480 MHz
Hörfrekvensseffekt .....			1,8 dBm
Bluetooth-version .....			4.0 BT-signalläge
Rekommenderad omgivningstemperatur vid arbete .....		-18 .... +50 °C	
Rekommenderade typer av uppladdningsbara batterier .....		M18B....; M18HB....	
Rekommenderade laddare.....	M12-18C, M12-18AC, M12-18FC, M1418C6		

### 1.4 Avsedd användning

Rörinspektionssystemet används för syning och inspektion av rörledningar. Systemet består av tre moduler:

#### - Rörinspektionstrumma M18 SIC36 eller M18 SIC60

Rörinspektionstrumman används för att linda upp och linda av och styra skjutkabeln. Trummorna finns att få i två olika storlekar: M18SIC36 för rör med en diameter på 50 mm till 150 mm och den större modellen M18SIC60 för rör med en diameter på 75 mm till 250 mm.

Båda trummorna innehåller en skjutkabel med fjäderkomponentgrupp, på vilken det självnivellerande kamerahuvudet är monterat. Den trådlösa skärmen M18 SIM och Smart Hub M18 SISH kan användas med båda trummorna.

Båda trummorna kan användas både lodrätt och vågrätt. På baksidan på M18 SIC36 kan en bäranordning fästas så att apparaten kan bäras på ryggen.

#### - Smart Hub M18 SISH

Smart Hub M18 SISH används för styrningen av rörinspektionssystemet.

Den trådlösa skärmen M18 SIM eller surfplattan, på vilken Milwaukee® rörinspektions-appen är installerad, ansluter till Smart Hub M18 SISH för att ta emot videoinspelningar och bilder. Både videor och bilder sparas på den interna enheten i Smart Hub M18 SISH.

#### - Trådlös skärm M18 SIM (ingår inte i leveransen; kan beställas separat)

Den trådlösa skärmen M18 SIM gör det möjligt att visa videor som har spelats in av kamerahuvudet, inspelning av videor och bilder, samt uppspelning av video- och bildfiler. Under videoinspelningen kan kommentarer som talas in via den interna mikrofonen spelas in. Med funktionen "Markeringar" kan även kommentartexter läggas till. Kommentartexterna visas i den inspelade videon tillsammans med datum, tid och avlindad kabellängd och på bilderna.

Apparaten får endast användas för den avsedda användningen.

### 1.5 Radiofrekvenskrav i förhållande till europeiska installationer

OBS: Den här apparaten har testats och håller gränsvärdena för en mottagare i kategori 3 enligt EN 300 440 V2.1.1.

Dessa gränsvärden ska säkerställa ett lämpligt skydd mot radiotekniska störningar i bostäder.

Den här apparaten reagerar på andra apparater som utsänder radiovågor i frekvensområdet från 2 402 till 2 480 MHz. Detta kan leda till störningar vid användning av fjärrkontrollen. Det kan inte uteslutas att störningar visar sig under vissa omständigheter. För att fastställa om den här apparaten störs av radiosignaler från andra apparater, stäng av de andra apparaterna under en kort tid för att kontrollera om störningarna då försvinner. Följande åtgärder kan hjälpa till att avhjälpa störningarna:

- Stäng av störningskällan.
- Öka avståndet till störningskällan.
- Be en fackkunnig återförsäljare eller en kvalificerad radiotekniker om råd.



## 1.6 EG-Försäkran överensstämmelse

Härmed förklarar Techtronic Industries GmbH att radioanläggningstypen M18SISH överensstämmer med direktivet 2014/53/EU. Den kompletta texten i EU-försäkran om överensstämmelse finns tillgänglig under följande Internetadress: <http://services.milwaukeetool.eu>

## 1.7 ONE-KEY™

För mer information om den här apparatens ONE-KEY funktionalitet, läs den bifogade snabbstartsguiden eller besök oss på Internet på [www.milwaukeetool.com/one-key](http://www.milwaukeetool.com/one-key). Du kan ladda ner ONE-KEY appen till din smartphone från App Store eller Google Play.

Om elektrostatiska urladdningar uppstår avbryts Bluetooth-förbindelsen. Återställ i så fall förbindelsen manuellt. Apparaten motsvarar minimikraven enligt EN 55014-2:2015/EN 301489-1 V2.2.3/EN 301489-17 V3.1.1.

### ONE-KEY™ indikator

Lysar blått: Trådlöst läge är aktivt och kan ställas in via ONE-KEY™ appen.

Blinkar blått: Apparaten kommunicerar med ONE-KEY™ appen.

Blinkar rött: Apparaten har spärrats av säkerhetsskäl och kan låsas upp av användaren via ONE-KEY™ appen.

## 1.8 Uppladdningsbara batterier

Utbytesbatteri som ej använts på länge måste laddas före nytt bruk.

En temperatur över 50°C minskar batteriets prestanda. Undvik längre uppvärmning tex i solen eller nära ett element.

Se till att anslutningskontaktarna i laddaren och på det uppladdningsbara batteriet är rena.

För en optimal livslängd måste det uppladdningsbara batteriet laddas upp helt efter användning.

För att uppnå en så lång livslängd som möjligt bör det uppladdningsbara batteriet tas ut ur laddaren efter uppladdning.

Om laddningsbara batterier lagras längre än 30 dagar:

Lagra det uppladdningsbara batteriet torrt och vid en temperatur under 27°C.

Lagra det uppladdningsbara batteriet vid en laddningsnivå på ca 30 %-50 %.

Ladda det uppladdningsbara batteriet på nytt var 6:e månad.

## 1.9 Transportera uppladdningsbara litium jon batterier

För uppladdningsbara litium jon batterier gäller de lagstadgade föreskrifterna för transport av farligt gods på väg.

Därför får dessa uppladdningsbara batterier endast transporteras enligt gällande lokala, nationella och internationella föreskrifter och bestämmelser.

- Konsumenter får transportera dessa batterier på allmän väg utan att behöva beakta särskilda föreskrifter.
- För kommersiell transport av uppladdningsbara litium jon batterier utförd av en speditorsfirma gäller bestämmelserna för transport av farligt gods på väg. Endast personal som känner till alla tillämpliga föreskrifter och bestämmelser får förbereda och genomföra transporten. Hela processen ska följas upp på sakkunnigt sätt.

Följande punkter ska beaktas i samband med transporten av uppladdningsbara batterier:

- Säkerställ att alla kontakter är skyddade och isolerade för att undvika kortslutning.
- Se till att det uppladdningsbara batteriet inte kan glida fram och tillbaka i förpackningen.
- Transportera aldrig uppladdningsbara batterier som läcker, har runnit ut eller är skadade.

För mer information vänligen kontakta din speditorsfirma.

## 1.10 Underhåll

Använd endast Milwaukee-tillbehör och Milwaukee-reservdelar. Komponenter, för vilka inget byte beskrivs, skall bytas ut hos Milwaukee-kundtjänst (se broschyren garanti-/kundtjänstadresser).

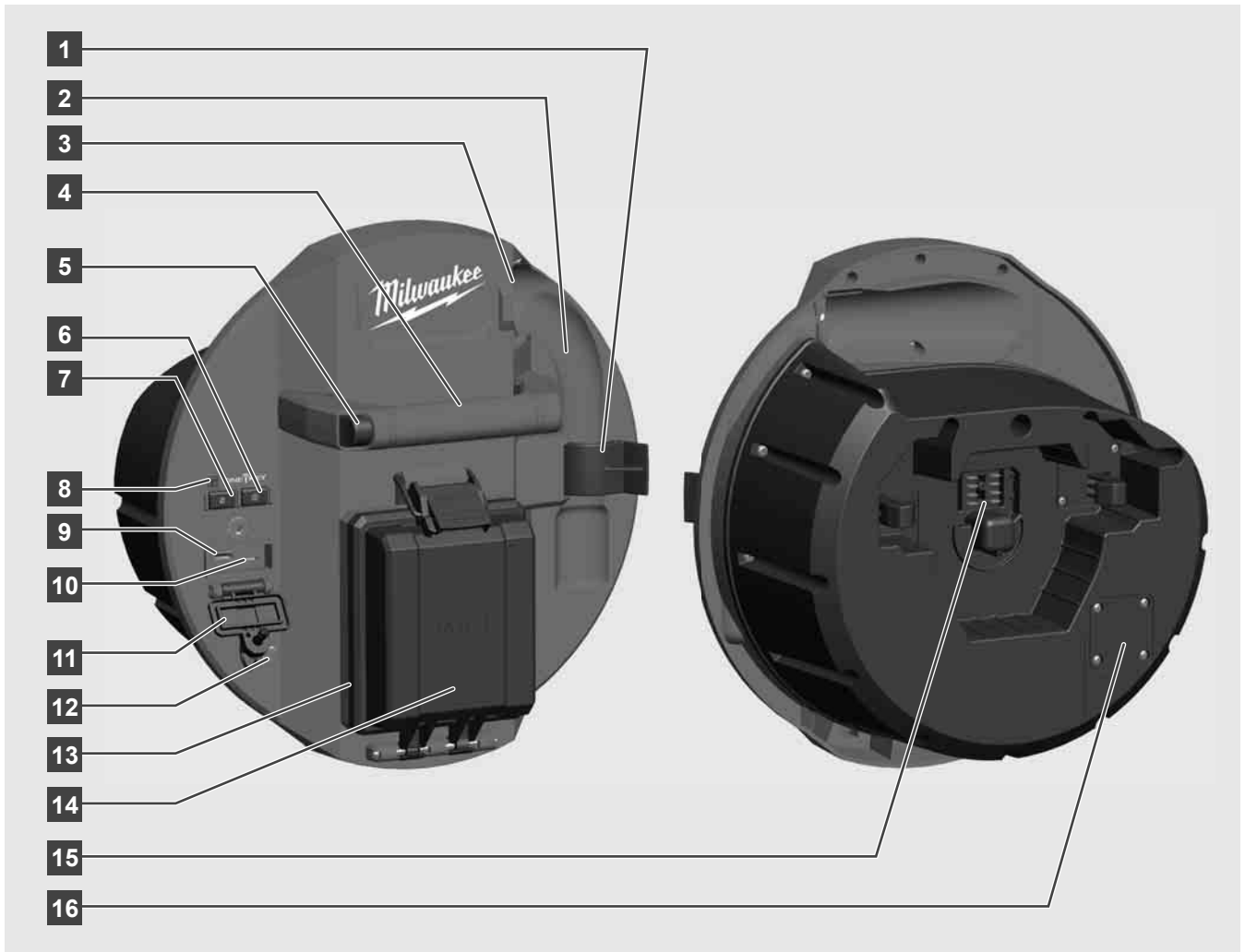
Vid behov kan du rekvidrera apparatens explosionsritning antingen hos kundtjänst eller direkt hos Techtronic Industries GmbH, Max-Eyth-Straße 10, 71364 Winnenden, Germany. Du ska då ange apparattypen och numret med sex siffror som står på typskylten.

## 1.11 Symboler

	FÖRSIKTIGHET! VARNING! FARA!
	Ta innan någon form av arbeten på apparaten ur det uppladdningsbara batteriet.
	Läs instruktionen noga innan du startar maskinen.
	Bär skyddshandskar!
	Använd alltid skyddsglasögon när du arbetar med apparaten.
	Elektriska apparater, batterier/uppladdningsbara batterier och får inte slängas tillsammans med de vanliga hushållssoporna. Elektriska apparater och uppladdningsbara batterier ska samlas in separat och lämnas till en avfallsstation för miljövänlig avfallshantering. Kontakta den lokala myndigheten respektive kommunen eller fråga återförsäljare var det finns speciella avfallsstationer.
	Spänning
	Likström
	Europeiskt konformitetsmärke
	Brittisk symbol för överensstämmelse
	Ukrainskt konformitetsmärke
	Euroasiatiskt konformitetsmärke

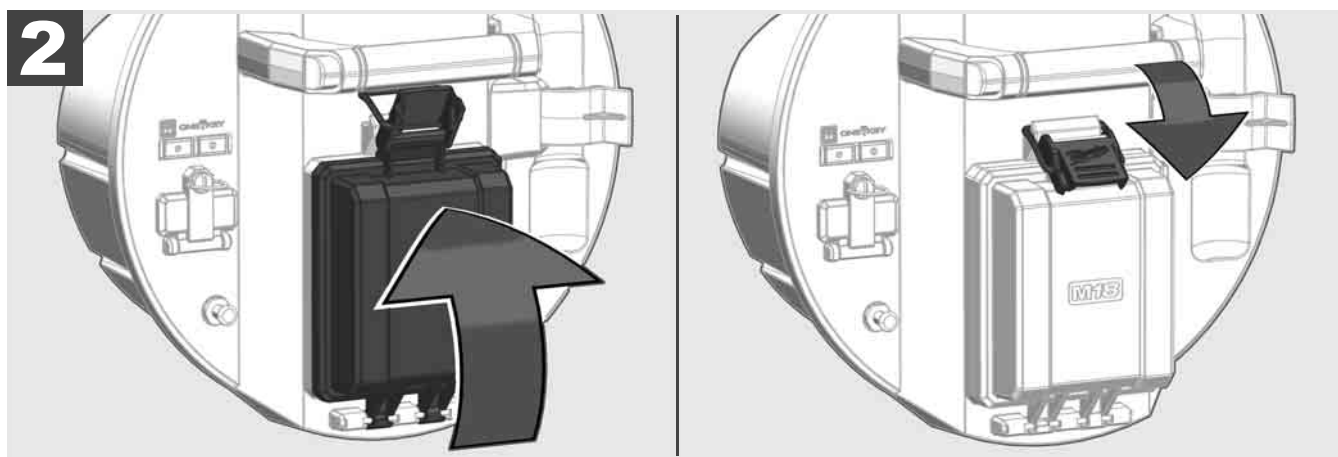
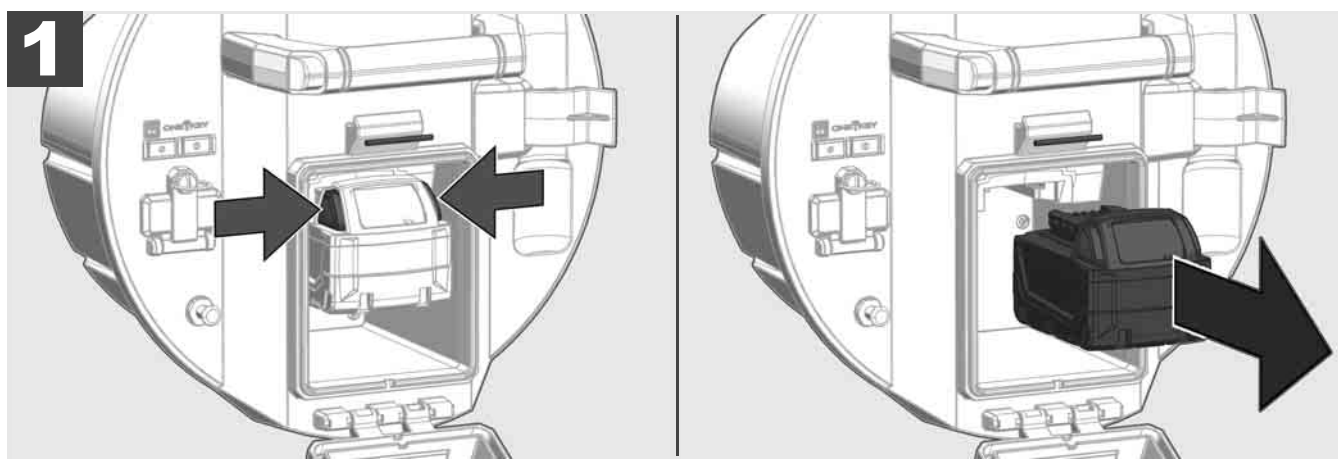
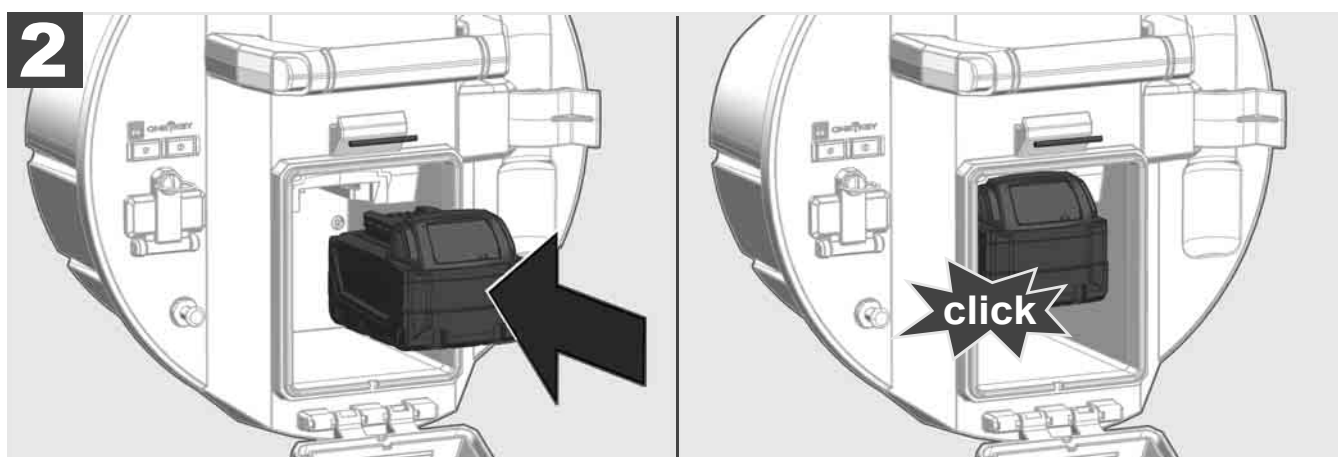
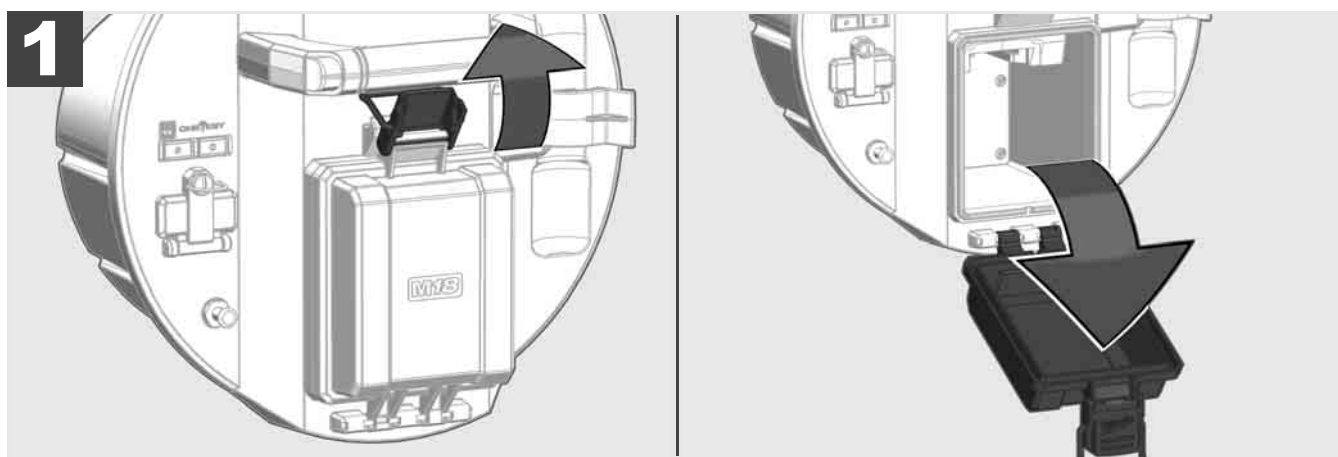
## 2 SMART HUB M18 SISH

### 2.1 Översikt Smart Hub M18 SISH



- 1 Fjädersäkringsklämma - för säkring av fjäder och kamera under transporten.
- 2 Fjäderfäste – Håller fast fjäder och kamera på plats under transport och förvarning.
- 3 Kabelföring – För innan Smart Hub hakas fast fjädern och skjutkabeln genom kabelföringen.
- 4 Handtag
- 5 Upplåsningsknapp – Tryck på den här knappen för att lossa Smart Hub från rörinspektionstrumman.
- 6 Huvudbrytare – Tryck kort en gång på knappen för att slå på apparaten. Håll knappen intryckt för att stänga av apparaten.
- 7 Knapp för återställning av kabellängd – Återställer den avlindade kabelns längd till noll.
- 8 ONE-KEY-LED-indikering
- 9 USB-A-Port – För att spara videor och bilder direkt, samt för uppdatering av det fasta programmet.
- 10 USB-C-Port – Försörjnings- och dataanslutning som tillval för anslutning av den trådlösa skärmen M18 SIM till Smart Hub.
- 11 USB-anslutningslock – Vattentätt lock som skyddar USB-portarna mot damm och fuktighet.
- 12 Jordningsstav – För jordning av Smart Hub för förföljning av skjutkabeln.
- 13 Lock till batterifack – Vattentätt lock som skyddar det uppladdningsbara batteriet mot damm och fuktighet.
- 14 Batterifack – För M18™ uppladdningsbart batteri
- 15 Anslutning för förbindelse av Smart Hub och rörinspektionstrumma.
- 16 Kamera testport – För felavhjälpning vid problem med kamerahuvudet

## 2.2 Sätta i och ta ur det uppladdningsbara batteriet



## 2.3 Kontrollera batterinivån



78-100 %



55-77 %



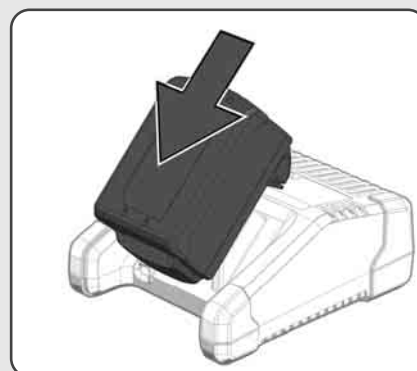
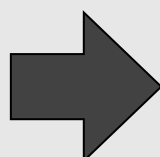
33-54 %

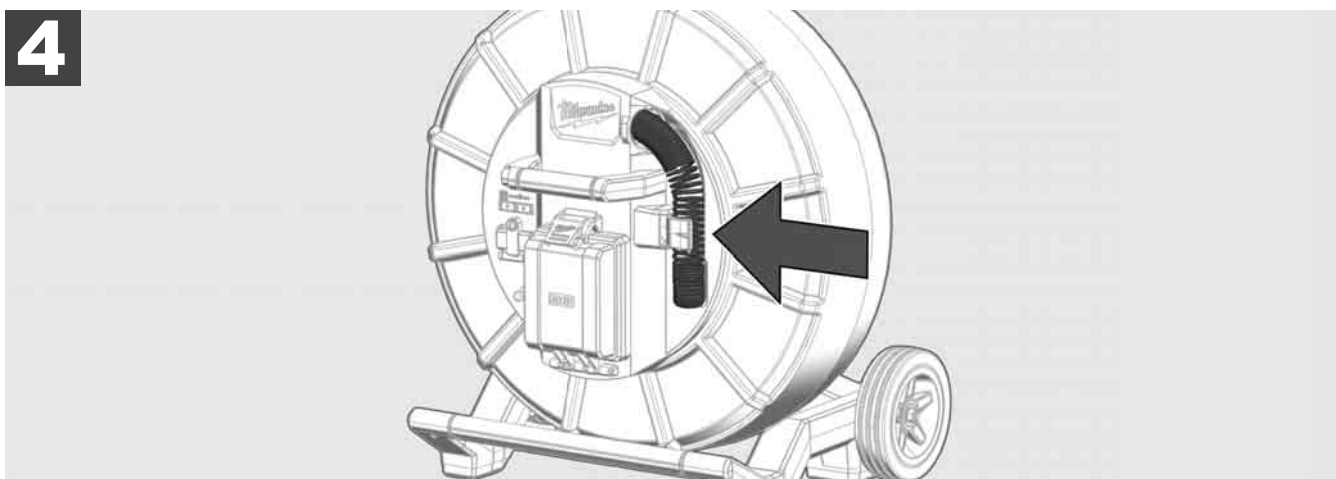
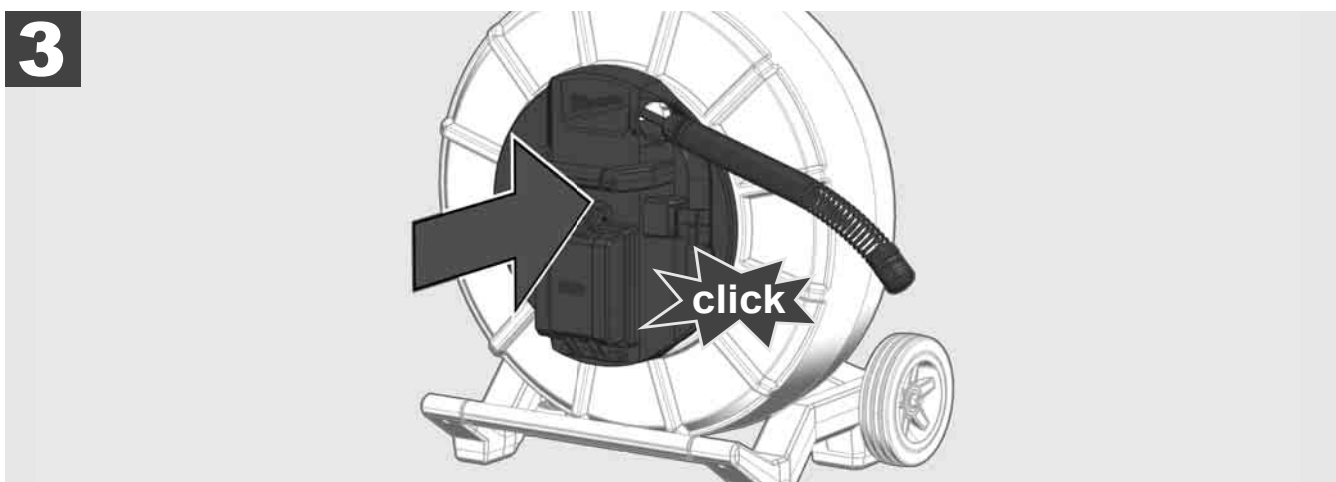
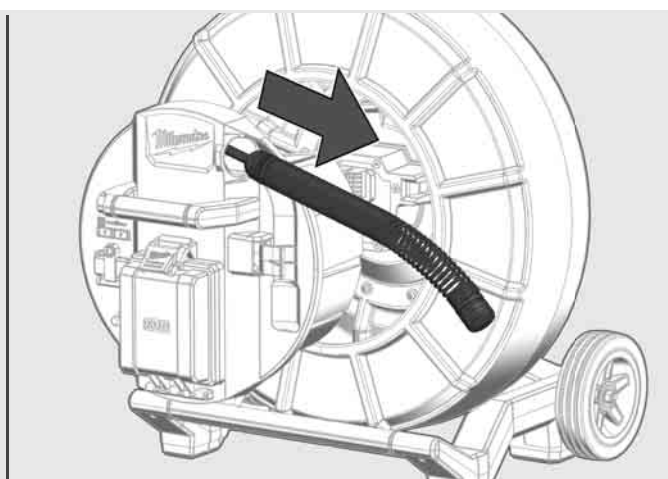
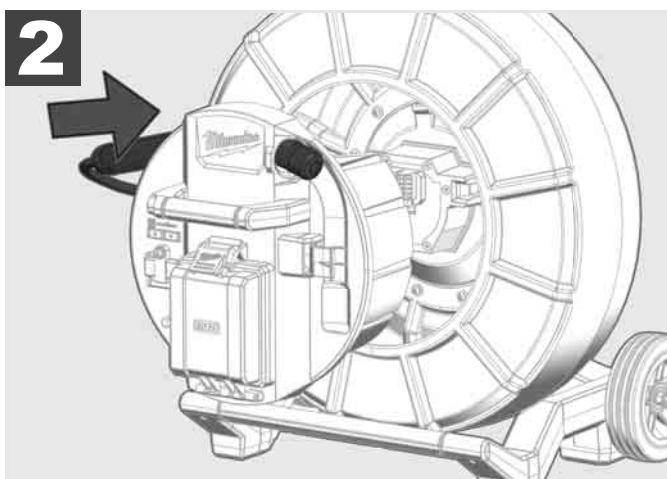
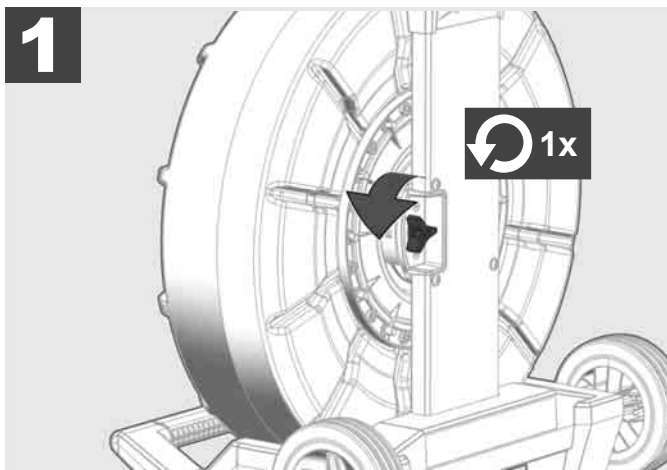


10-32 %



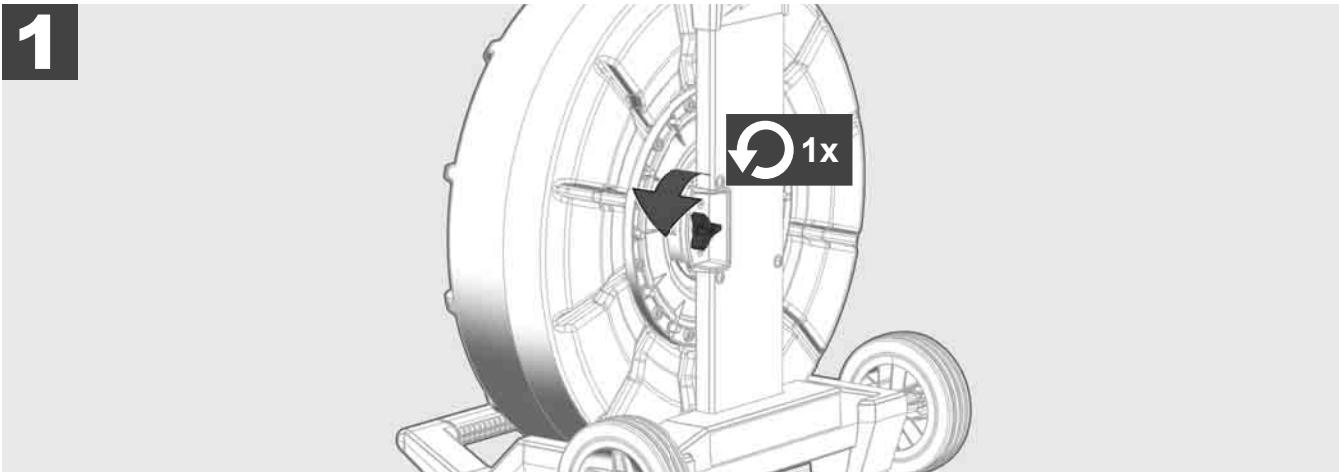
< 10 %



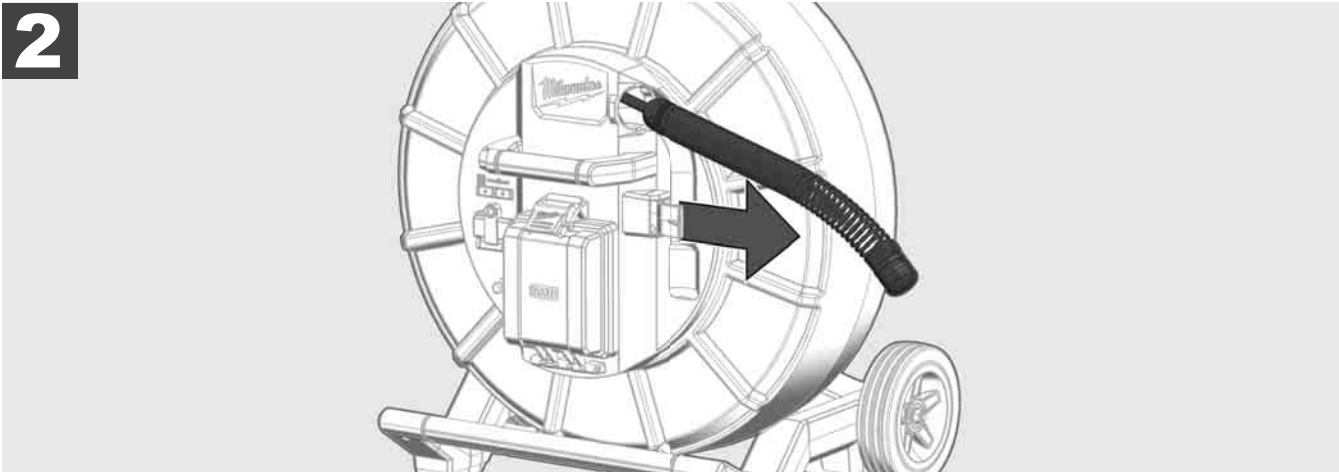




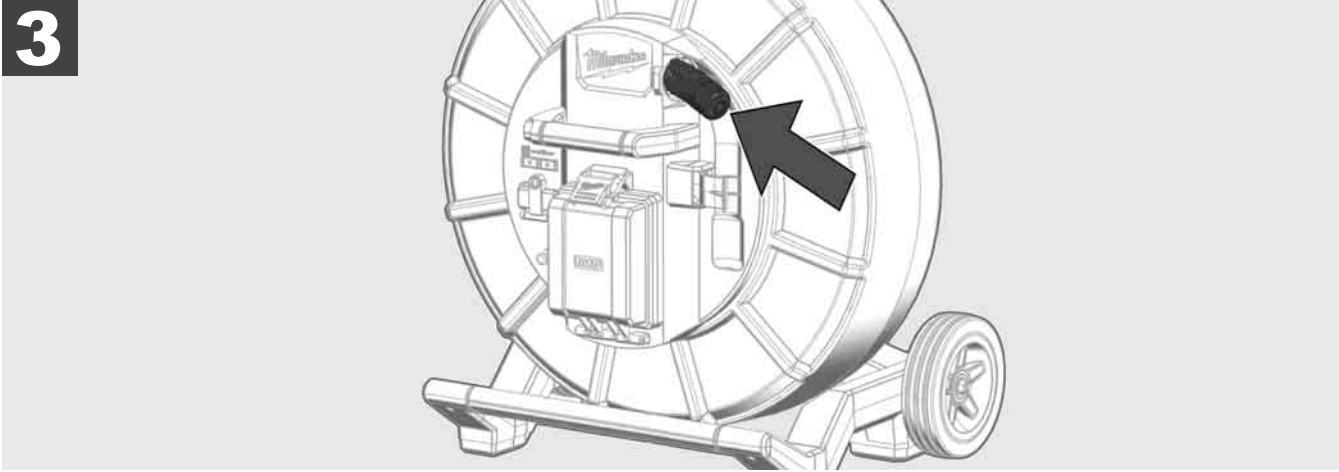
**1**



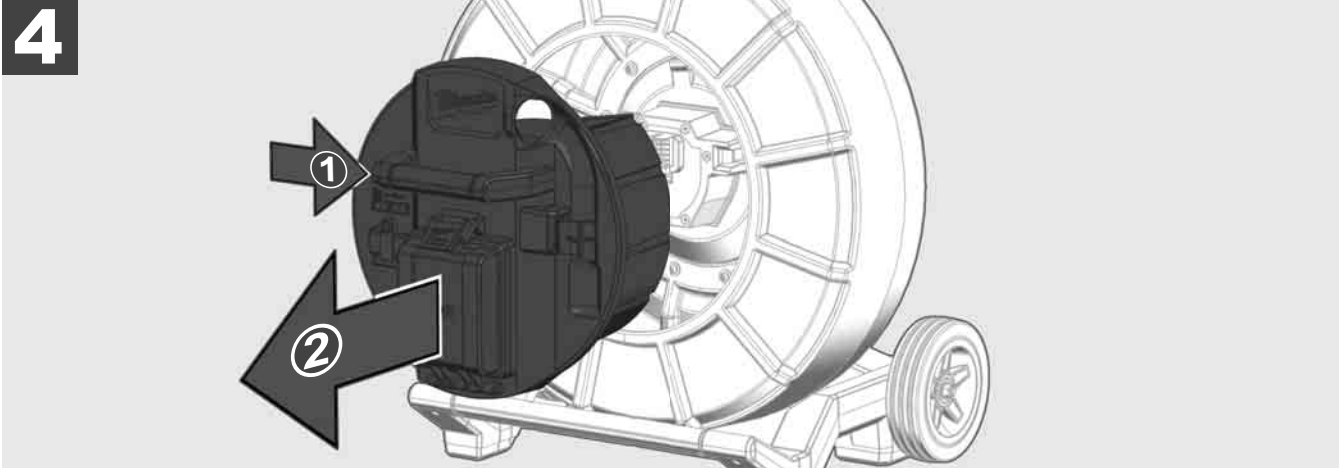
**2**



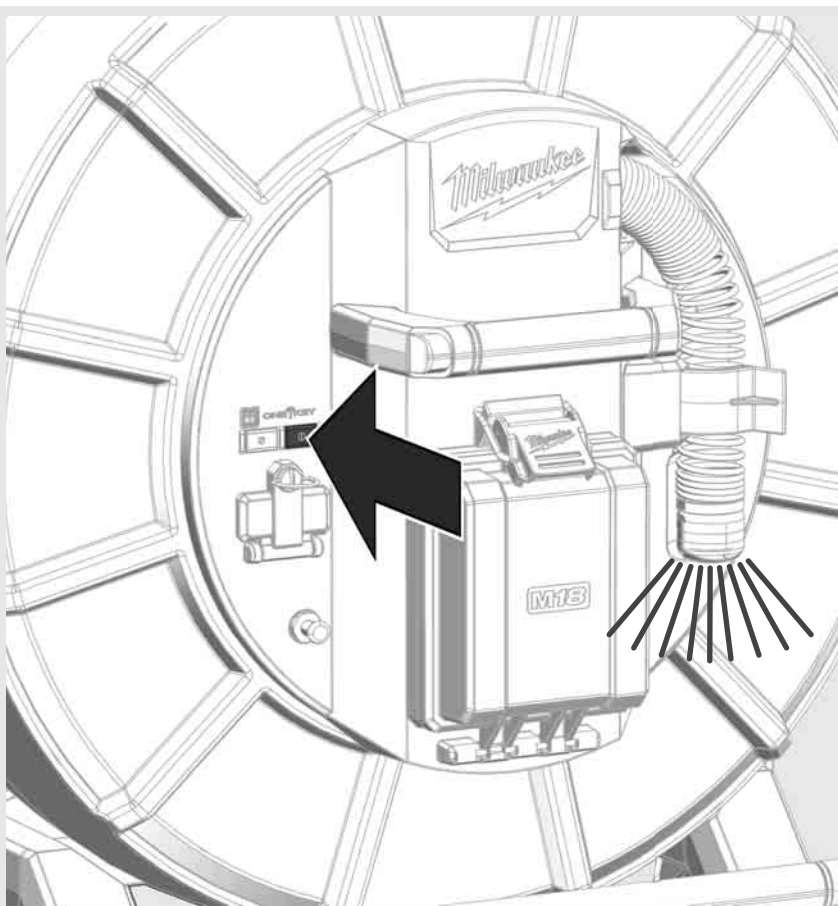
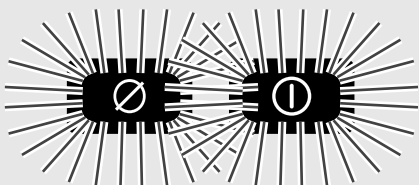
**3**



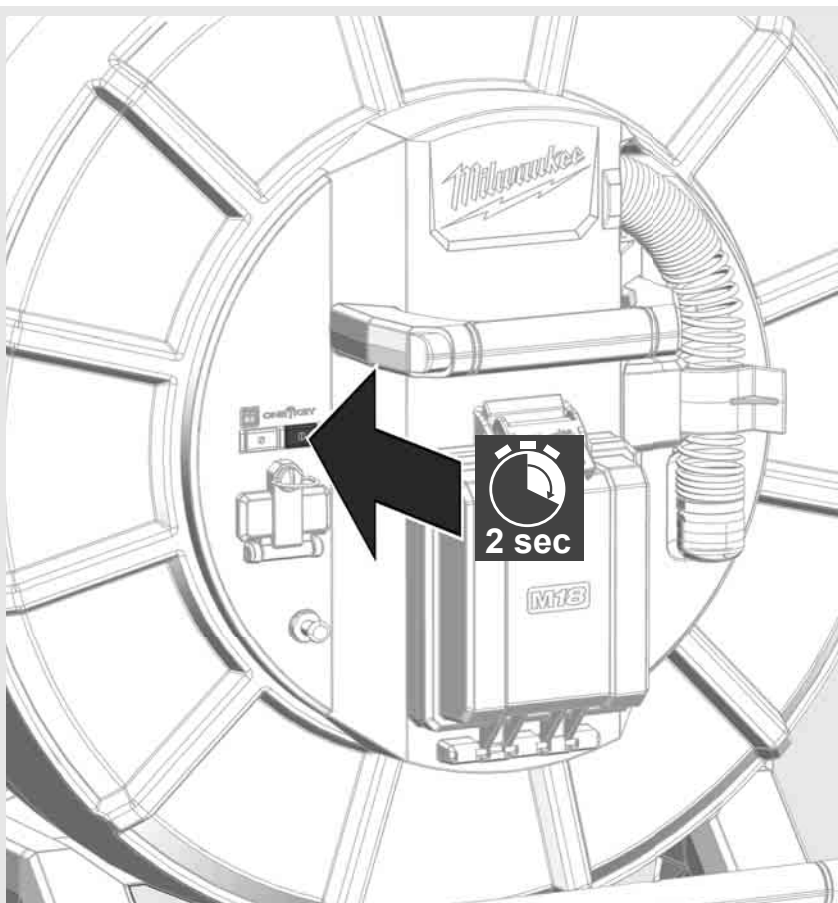
**4**



# ON



# OFF





## 2.7 Ansluta skärm

För att ändra inställningarna hos RÖRINSPEKTIONSSYSTEMET, styra dess funktioner och visa de bilder och videor som har spelats in med kameran, behövs en extern visningsenhet.

Den externa visningsenheten ingår inte i RÖRINSPEKTIONSSYSTEMETS leveransomfattning utan måste köpas separat.

Följande tillval finns tillgängliga:

- MILWAUKEE TRÅDLÖS SKÄRM M18 SIM
- Surfplatta eller smartphone med MILWAUKEE RÖRINSPEKTIONS-APP

Den TRÅDLÖSA SKÄRMEN ansluts till RÖRINSPEKTIONSSYSTEMET via WLAN eller USB-C-Port och är direkt redo att användas. Vid användning av en surfplatta eller en smartphone måste först MILWAUKEE RÖRINSPEKTIONS-App installeras på den enhet som ska användas.

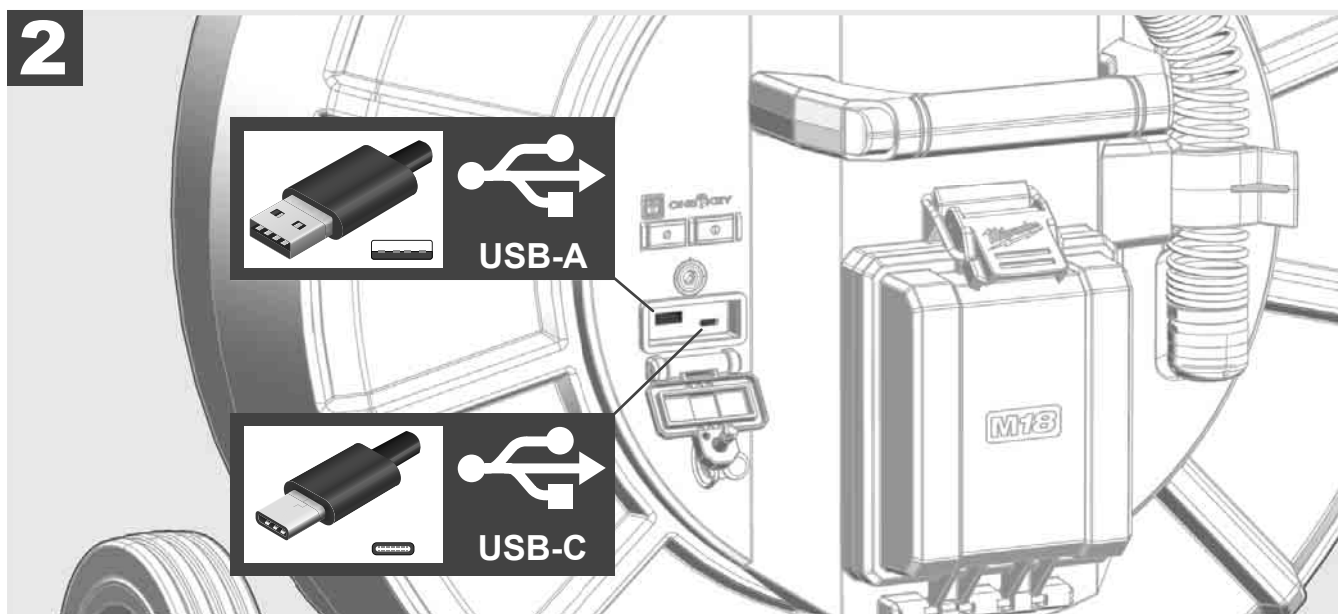
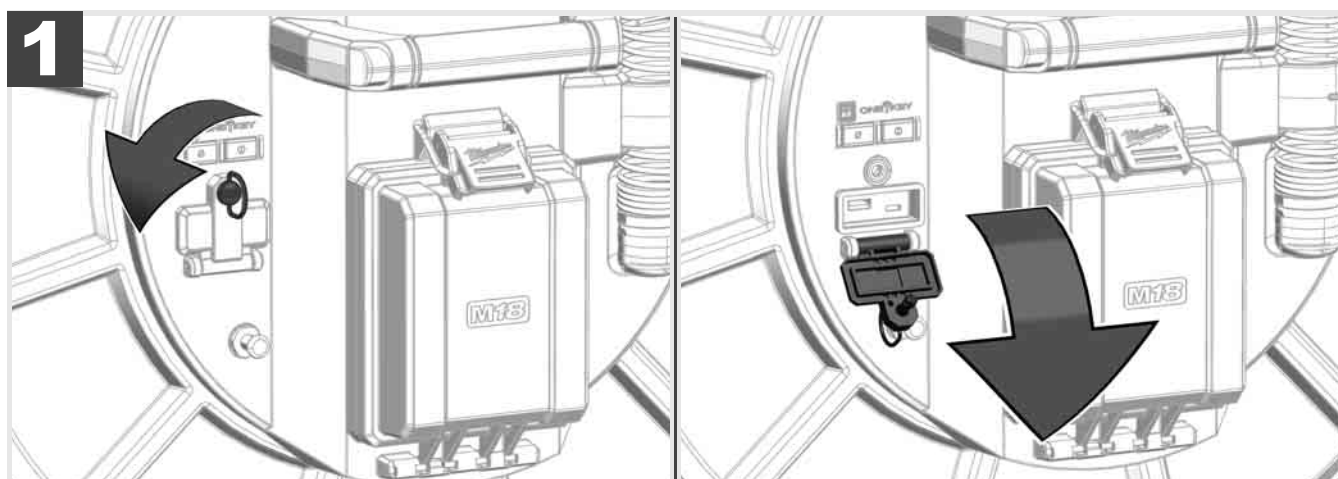
### **FÖRSTA ANVÄNDNING MED TRÅDLÖS SKÄRM M18 SIM:**

1. Slå på SMART HUB och den TRÅDLÖSA SKÄRMEN.
2. Den TRÅDLÖSASKÄRMEN ansluts inom 25 sekunder automatiskt till SMART HUB.

\*För en kabelanslutning, anslut skärmen till Smart Hub via USB-C-kabeln.

### **FÖRSTA ANVÄNDNING MED SMARTPHONE ELLER SURFPLATTA:**

1. Ladda ner och installera MILWAUKEE RÖRINSPEKTIONS-APPEN.
2. Slå på SMART HUB och visningsenheten.
3. Välj alternativet Inställningar > WLAN.
4. Välj alternativet MTCAM\_[LAST 9 DIGITS OF HUB SERIAL #].
5. Ange lösenord: 29702000
6. Starta MILWAUKEE RÖRINSPELKTIONS-APPEN.

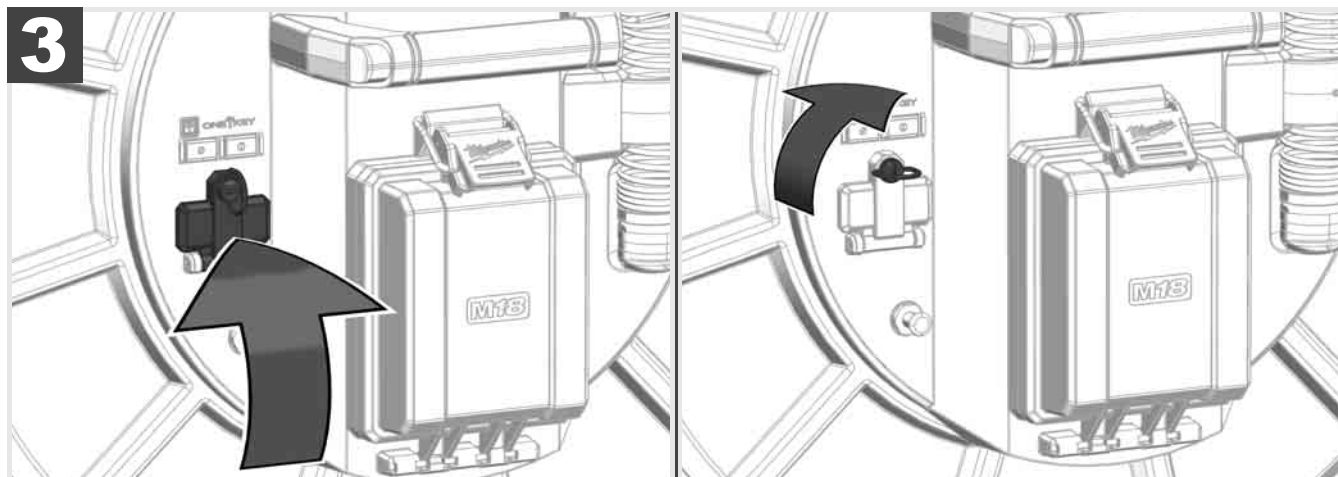


### USB-A

- Port för normal användning. Möjliggör direkt inspelning av video- och bildfiler resp. överföring av dessa från den interna Smart Hub-enheten.
- Möjliggör utförande av uppdatering av det fasta programmet på Smart Hub.

### USB-C

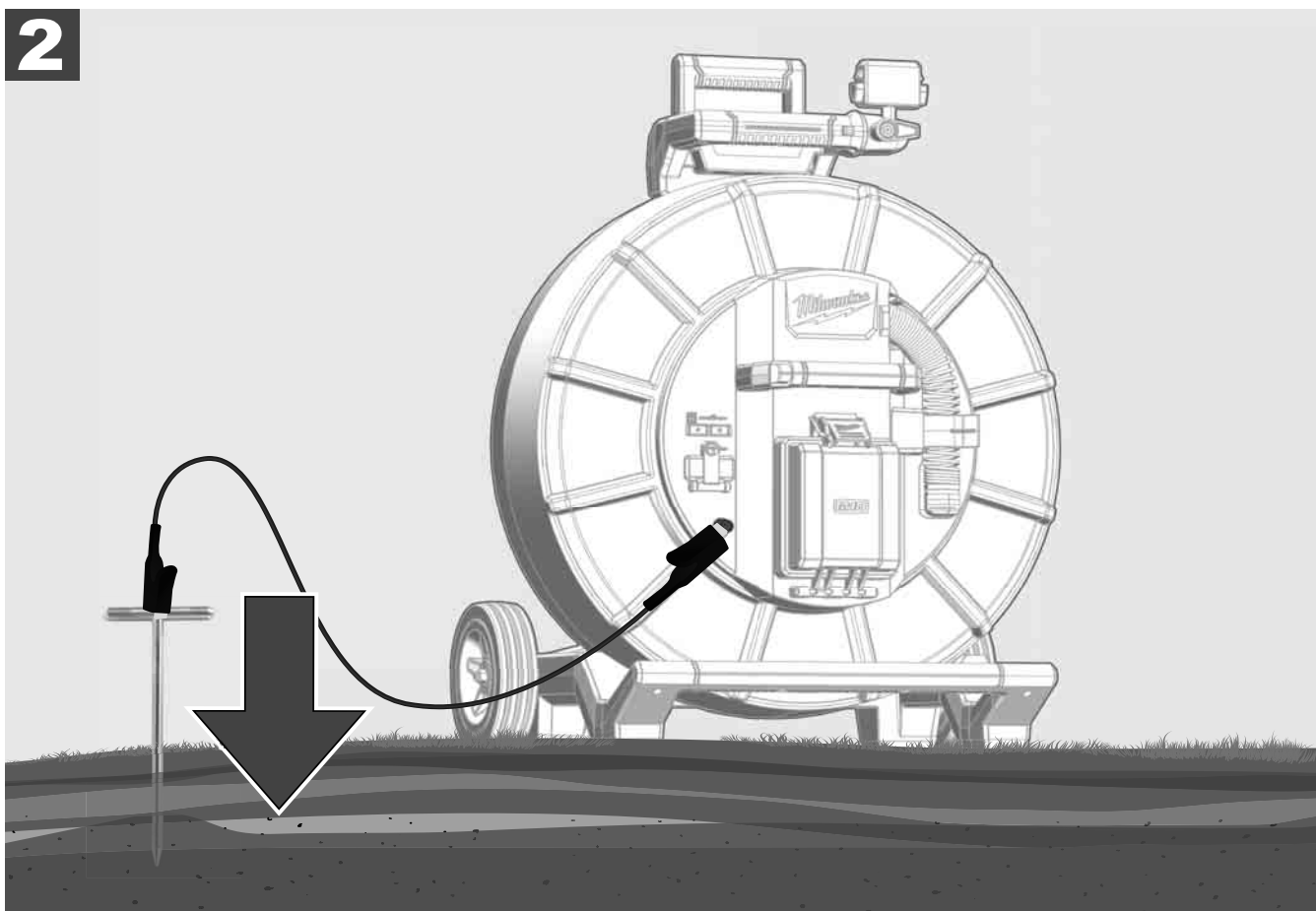
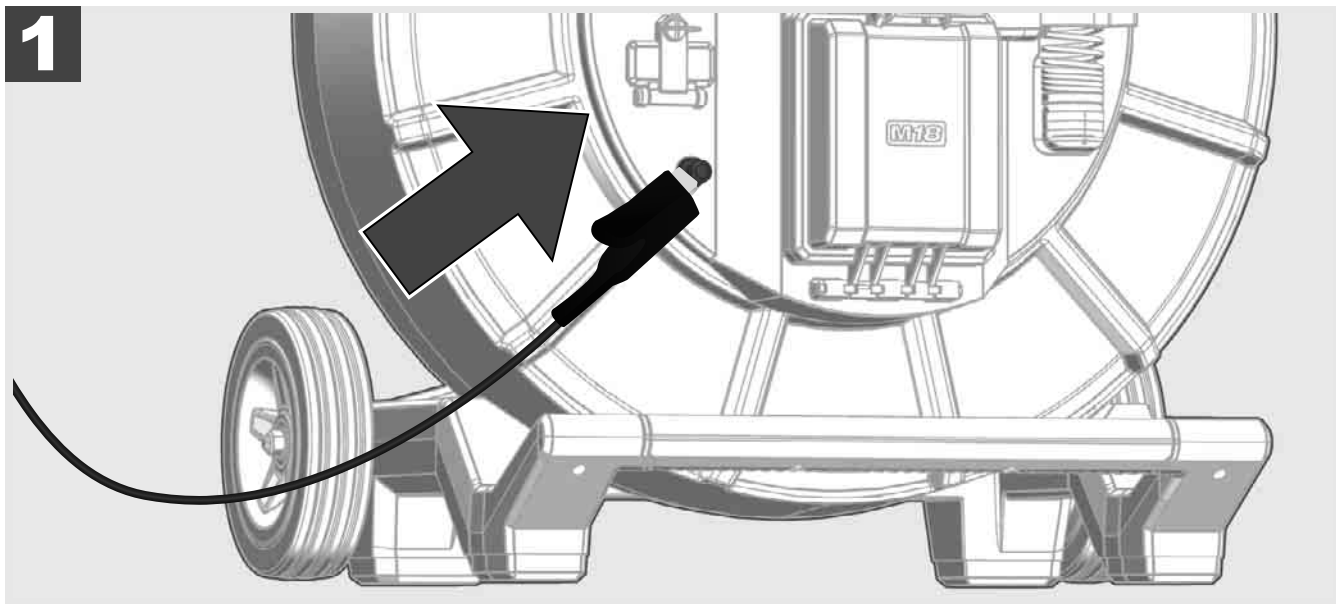
- Möjliggör förbindelsen mellan trådlös skärm M18 SIM och Smart Hub utan WLAN-anslutning. Strömförsörjning av Smart Hub via den trådlösa skärmen M18 SIM eller tvärt om, om det uppladdningsbara batteriet inte är laddat.



## 2.9 Jordningsstav



Jordningsstaven måste alltid användas när skjutkabeln förföljs via funktionen KABELFÖRFÖLJNING. Smart Hub måste jordas så att strömslingan är sluten och en bra lokaliseringssignal sänds. Använd den medföljande jordningskabeln tillsammans med jordningsstaven för att jorda Smart Hub.

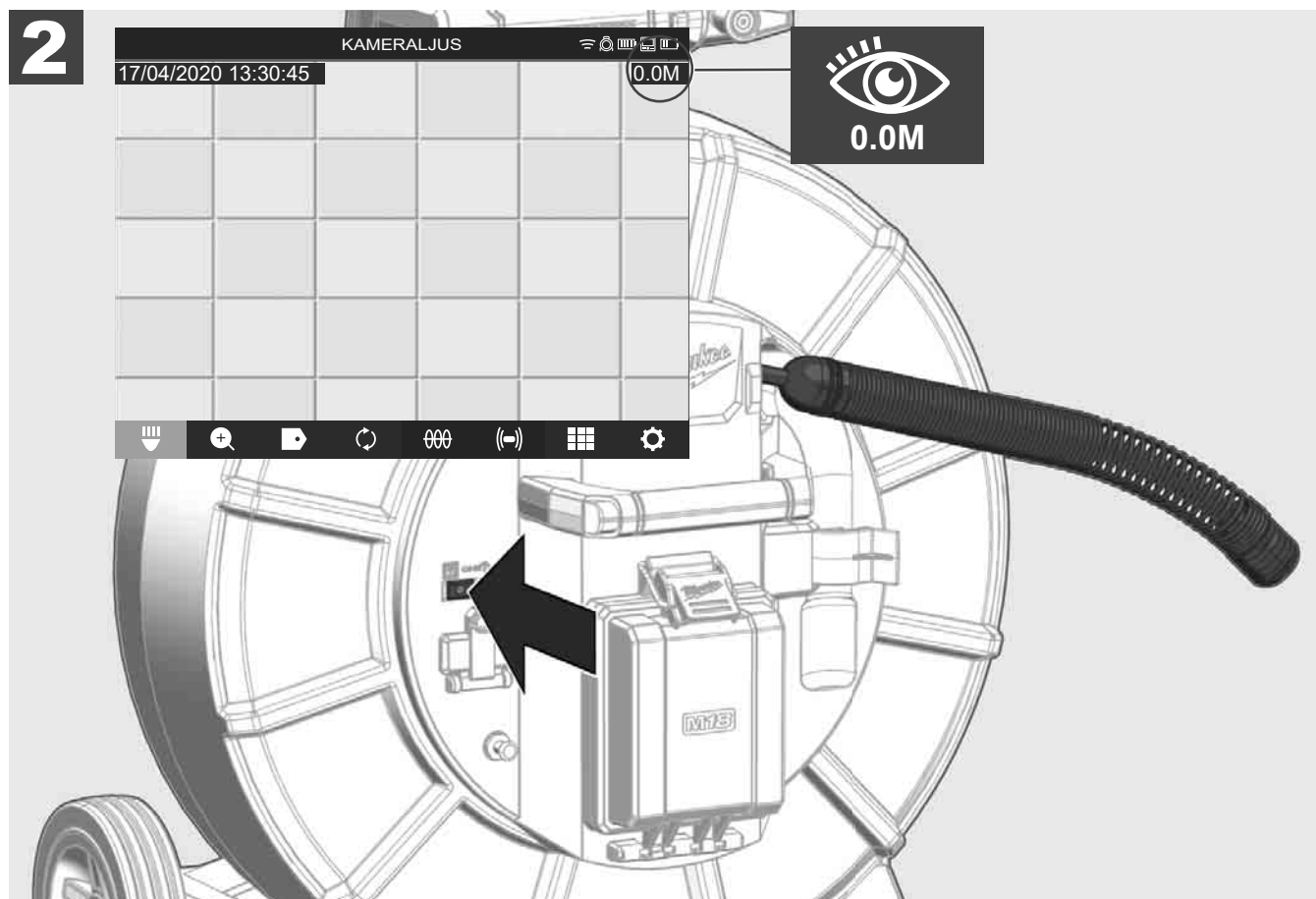
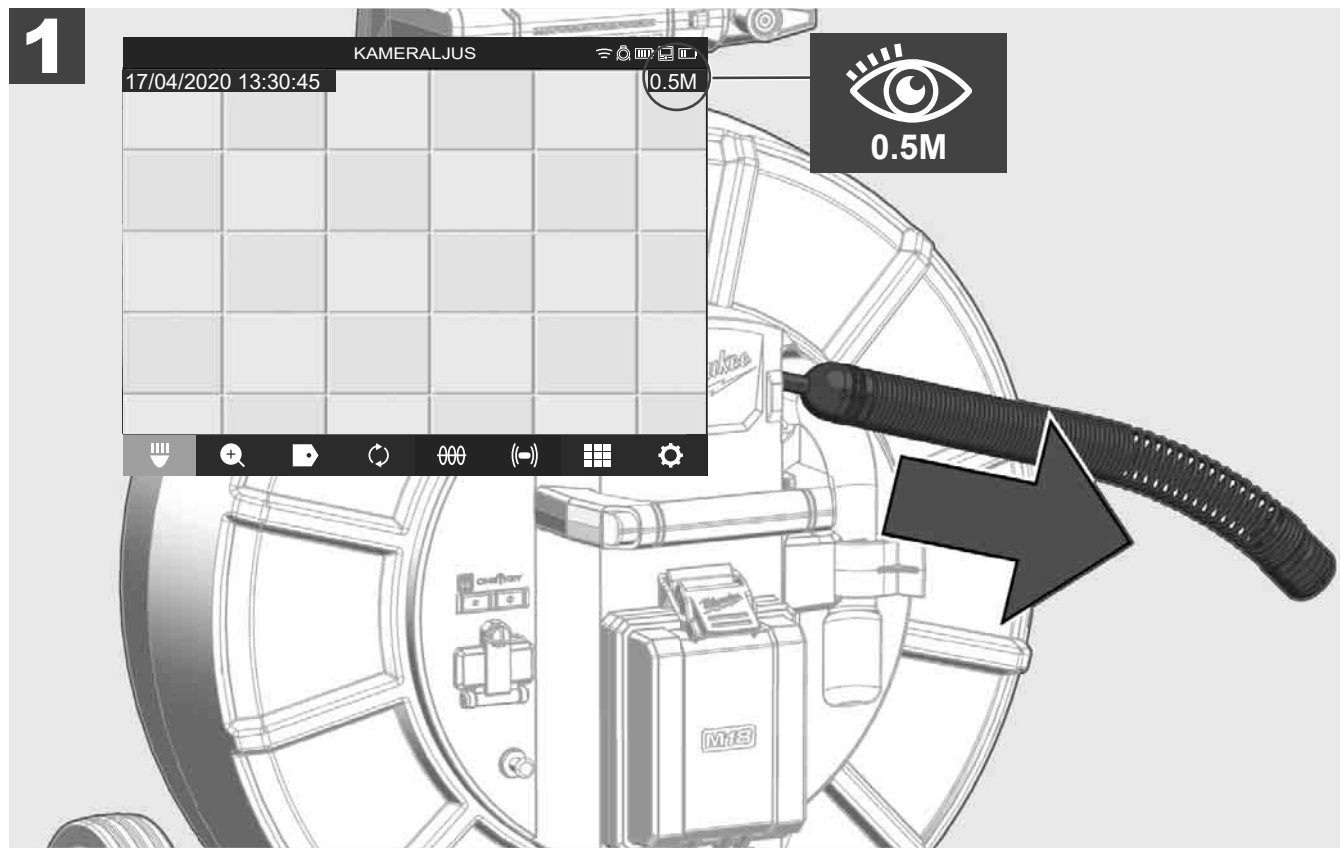


## 2.10 Återställa längdräknare



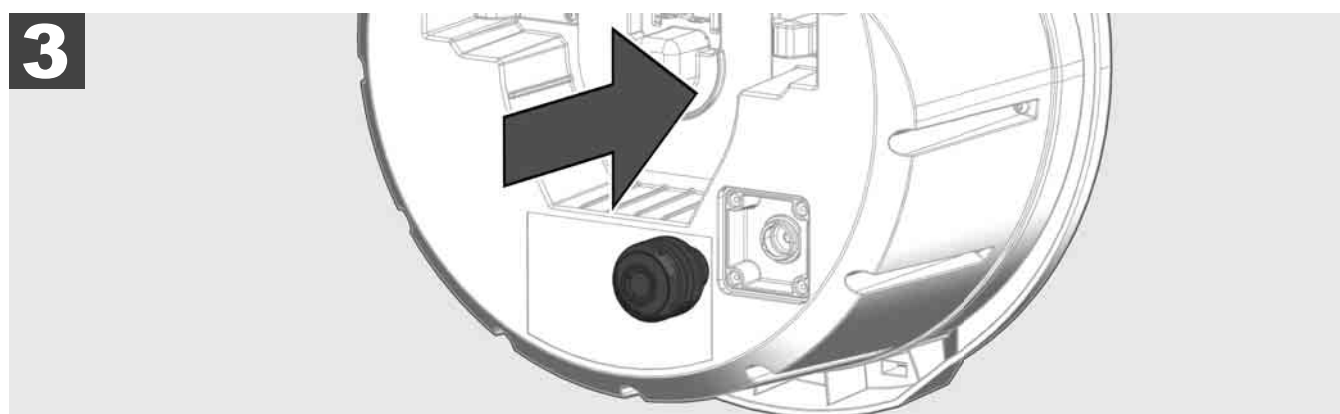
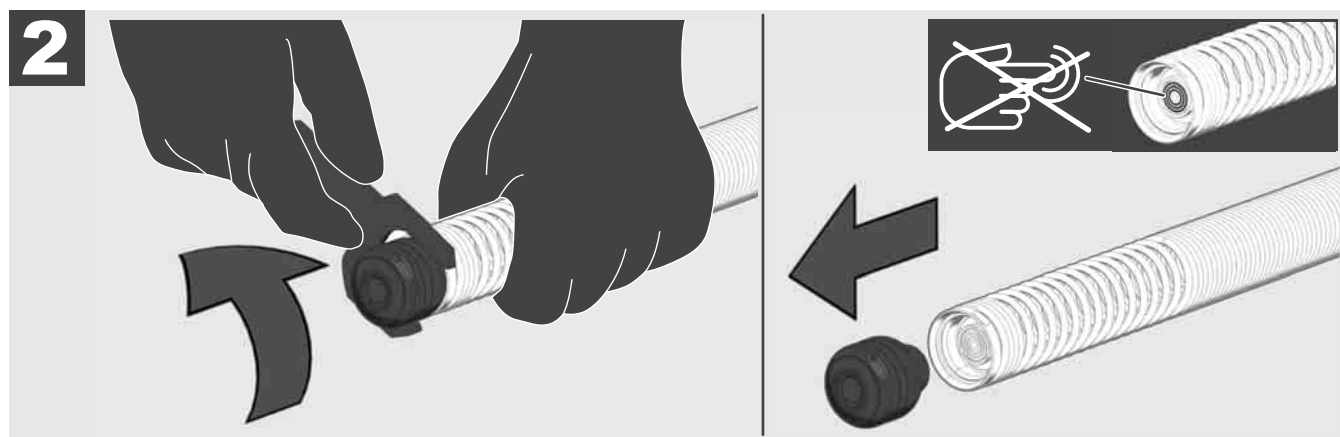
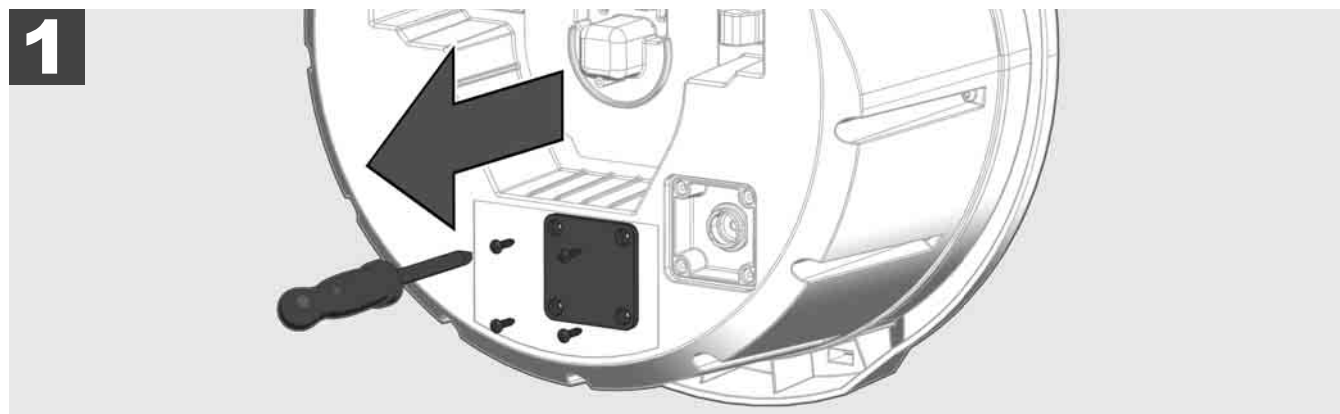
Vid avlindning av RÖRINSPEKTIONSTRUMMAN visas den avlindade kabelns längd på statusraden på den trådlösa skärmen M18 SIM.

För att återställa visningen, tryck på knappen



## 2.11 Kamera-testport

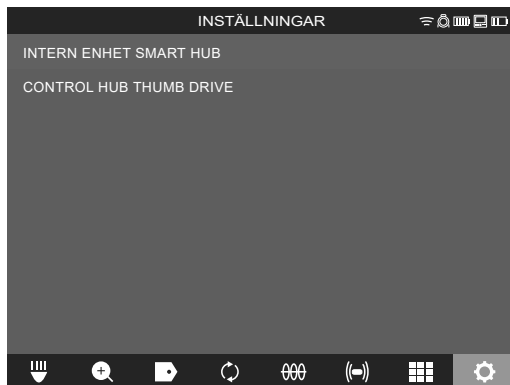
Om det finns ett problem med kamerahuvudet kan kameran testas med hjälp av testporten.



## 2.12 Formatera intern enhet och USB-minne

Med den här funktionen kan du formatera den interna 500-GB-enheten i Smart Hub eller USB-minnet. USB-minnen måste formateras i FAT32-format.

1. Välj **INSTÄLLNINGAR**  → **FORMATERA MINNE**
2. Välj minne.



3. Bekräfta meddelandet på skärmen.



Den valda enheten formateras och systemet återgår till menyn **INSTÄLLNINGAR**.

## 2.13 Fabriksinställningar

När funktionen fabriksinställningar väljs återställs Smart Hub M18 SISH till de värden som har ställts in på fabriken.

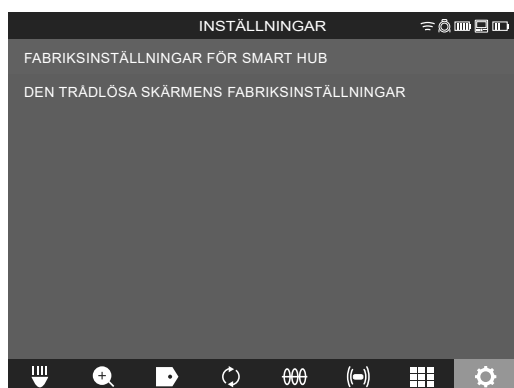
Följande inställningar av Smart Hub M18 SISH återställs:

- MARKERINGAR raderas.
- VIDEO- och BILD-inställningar återställs till 1080 P.
- FÖRETAGSNAMN raderas.
- SONDFREKVENSEN återställs till fabriksinställningen.
- KABELFÖRFÖLJNINGEN återställs till fabriksinställningen.
- SKÄRMINSTÄLLNINGAR återställs till fabriksinställningen: färgton, ljusstyrka, kontrast, mättnad.
- MÄTENHETER

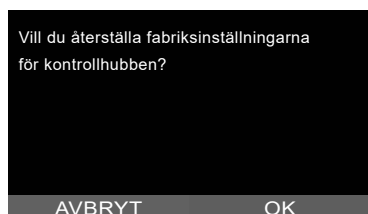
1. Välj **INSTÄLLNINGAR**  **FABRIKSINSTÄLLNINGAR**



2. Välj **FABRIKSINSTÄLLNINGAR** Smart Hub M18 SISH.



3. Läs och bekräfta återställningsmeddelandet med OK.



Återställningen till fabriksinställningarna är avslutad och systemet återgår till undermenyn **FABRIKSINSTÄLLNINGAR**.

## 2.14 Systemuppdatering

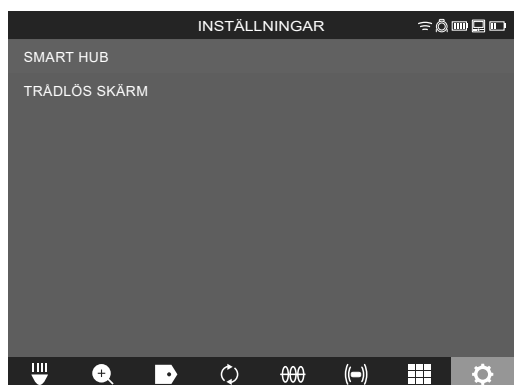
Öppna innan systemuppdateringen menyn **INSTÄLLNINGAR** → **INFORMATION** och anteckna den aktuella versionen av det fasta programmet.

Uppdateringar av fast program kan antingen göras via den trådlösa skärmen M18 SIM eller med en surfplatta med Milwaukee® rörenspektions-appen.

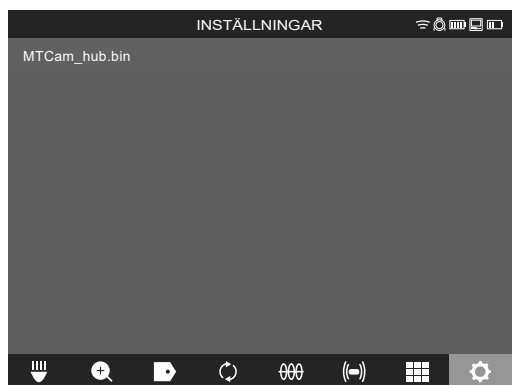
1. Slå på Smart Hub M18 SISH och den trådlösa skärmen M18SIM eller surfplattan med Milwaukee® rörenspektions-appen.
2. Säkerställ att den trådlösa skärmen M18 SIM resp. surfplattan är ansluten till Smart Hub M18 SISH via WLAN. Om det inte finns en WLAN-anslutning, upprätta först denna anslutning.
3. Sätt i USB-minnet med uppdateringen av det fasta programmet i USB-A-Port på Smart Hub M18 SISH.
4. Välj **INSTÄLLNINGAR** ⚙️ → **SYSTEMUPPDATERING**



5. Välj Smart Hub M18 SISH.



6. Uppdateringens filnamn visas på skärmen. Välj **FILNAMN** för att starta uppdateringen.

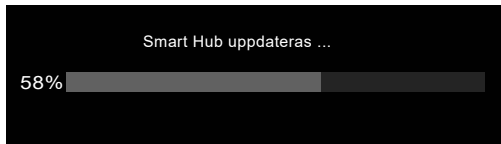


7. Läs och bekräfta varningsmeddelandet med OK.





8. Uppdateringens fortskridande visas med stapel.



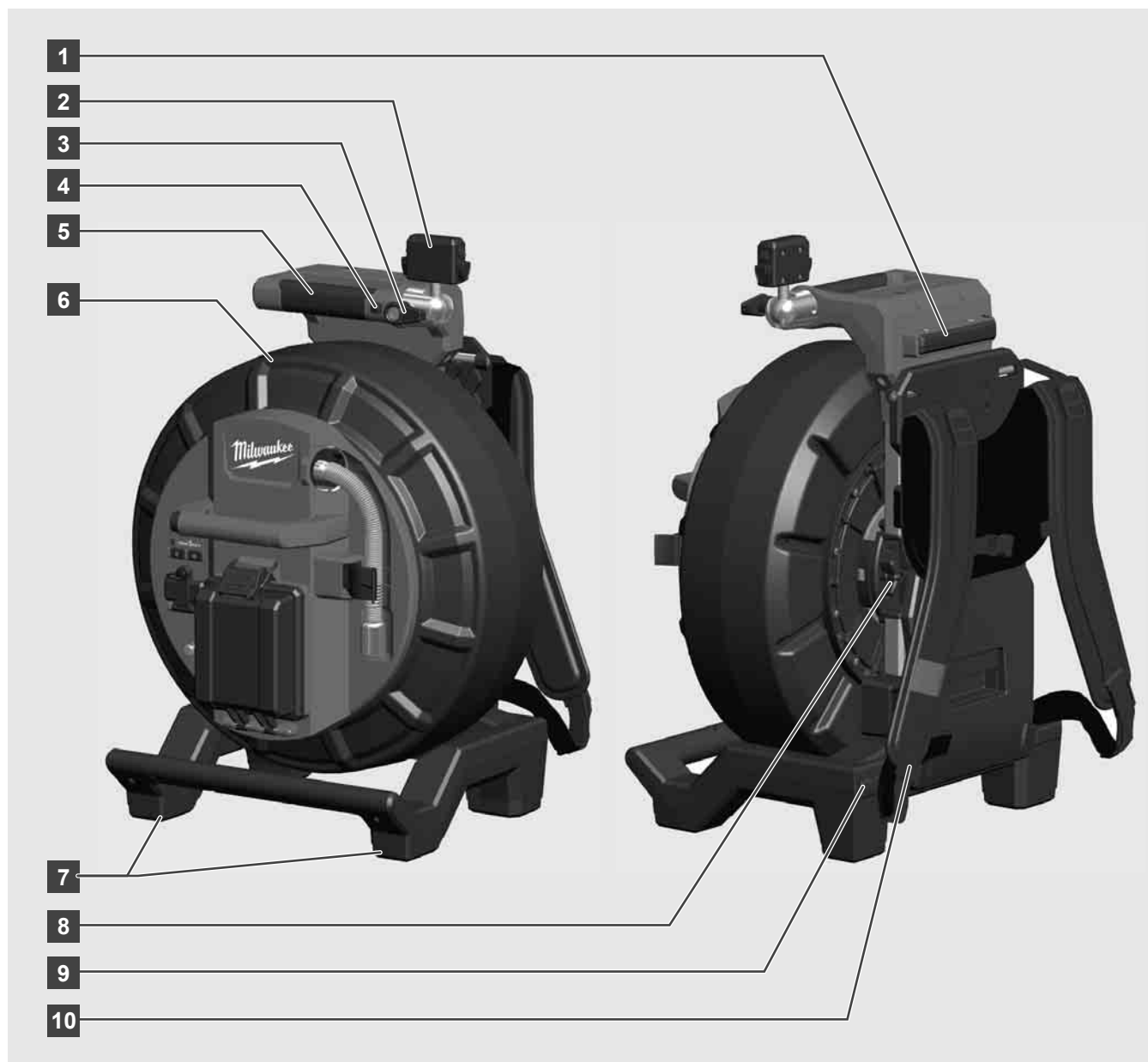
9. Vid slutet av uppdateringen visas et meddelande som måste bekräftas. Välj OK för att starta om systemet.



10. Välj **INSTALLNINGAR** → **INFORMATION**, för att kontrollera att den nya versionen av det fasta programmet har installerats.

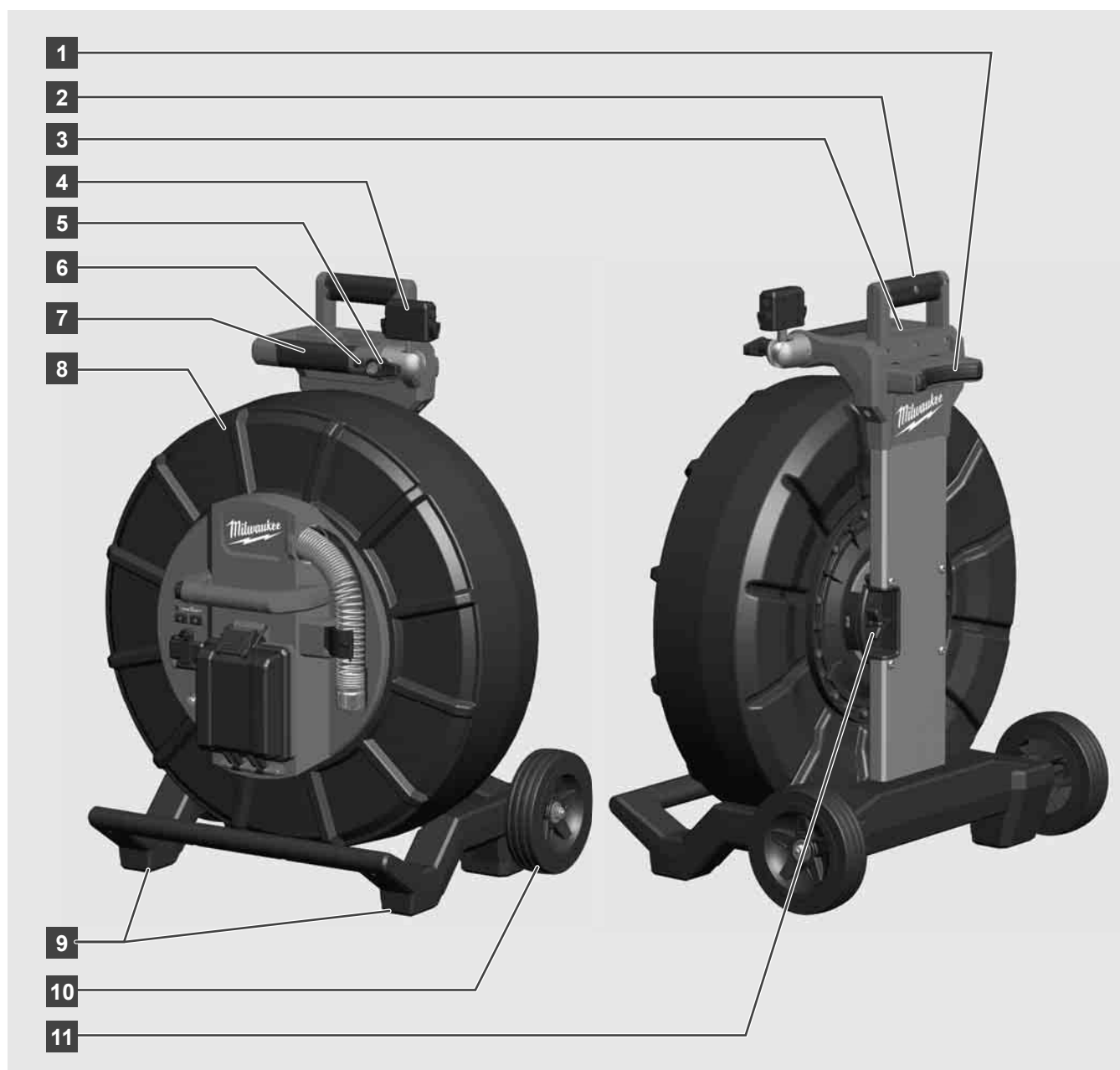
## 3 RÖRINSPEKTIONSTRUMMOR

### 3.1 Översikt rörinspektionstrumma M18 SIC36



- 1 Stativfot för horisontell användning
- 2 Trådlös skärm M18 SIM – Hållare och anslutning för surfplatta
- 3 Trådlös skärm M18 SIM – Rotationsspärr
- 4 Trådlös skärm M18 SIM – Tippspärr
- 5 Handtag
- 6 Kabeltrumma med skjutkabel
- 7 Stativfot för vertikal användning
- 8 Kabeltrumsbroms
- 9 Stativfot för horisontell användning
- 10 Bäranordning

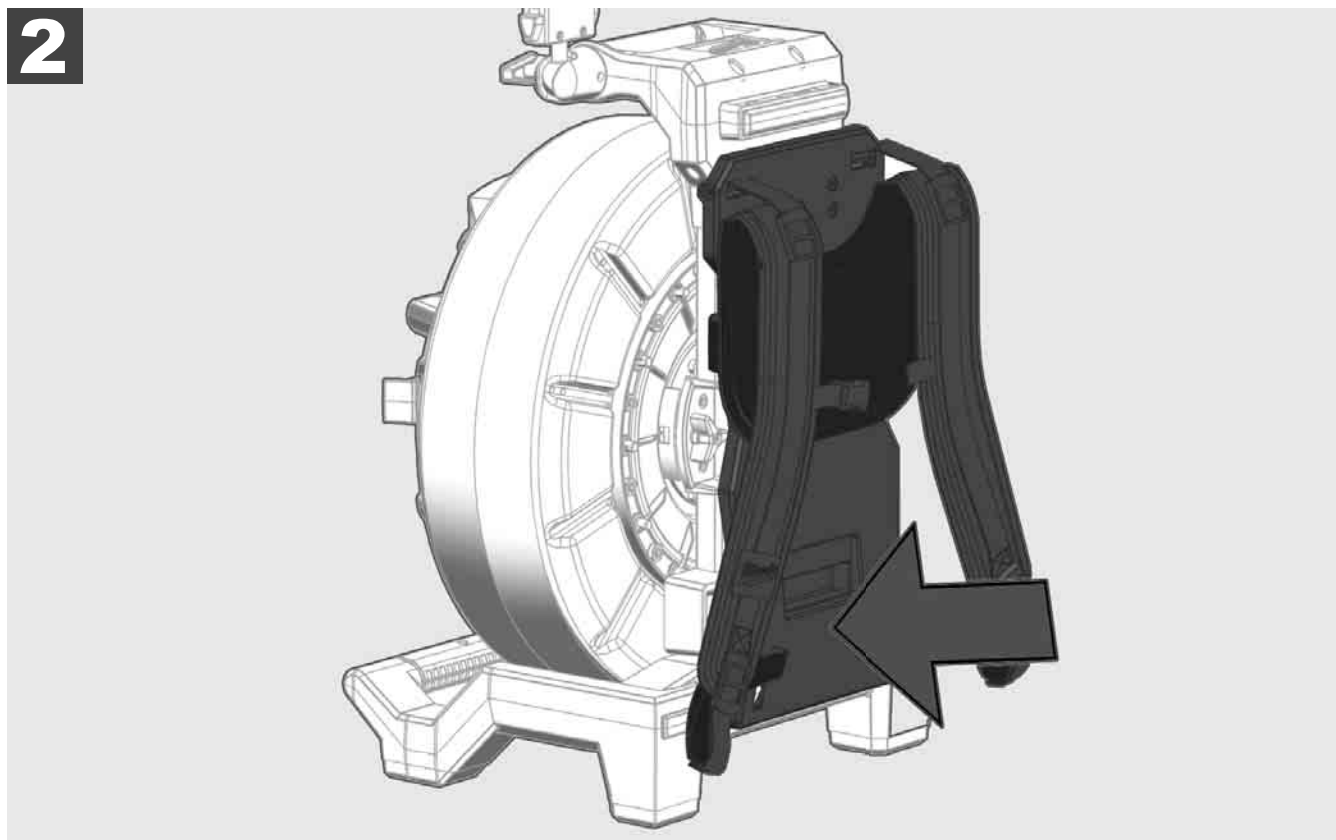
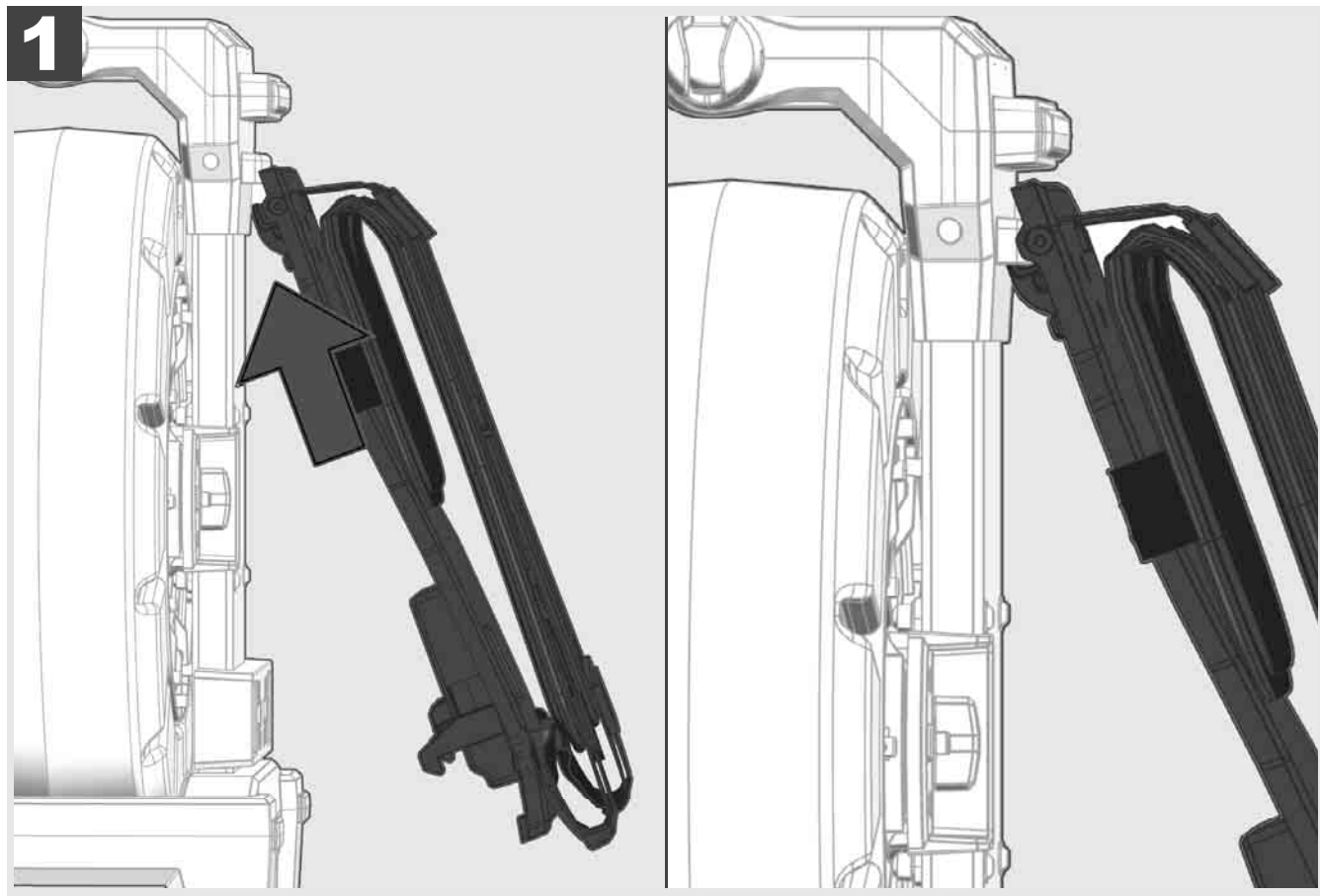
## 3.2 Översikt rörinspektionstrumma M18 SIC60



- 1 Stativfot för horisontell användning
- 2 Utdragbart handtag (i inskjutet läge)
- 3 Knapp för att spärra och låsa upp det utdragbara handtaget
- 4 Trådlös skärm M18 SIM – Hållare/hållare och anslutning för surfplatta
- 5 Trådlös skärm M18 SIM – Rotationssäkring
- 6 Trådlös skärm M18 SIM – Tippsäkring
- 7 Handtag
- 8 Kabeltrumma med skjutkabel
- 9 Stativfot för vertikal användning
- 10 Hjul
- 11 Kabeltrumsbroms

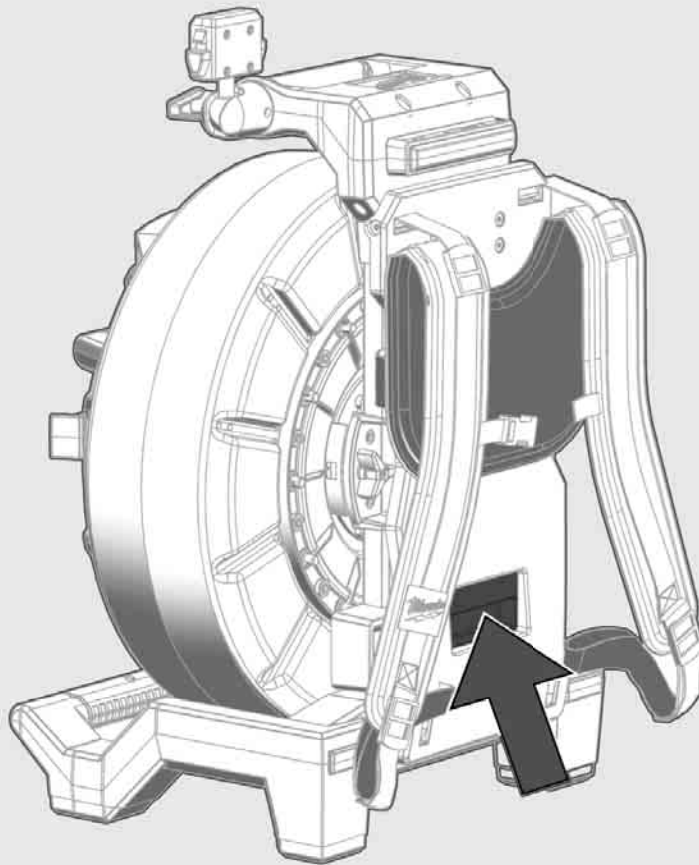
### 3.3 Installera bäranordning

RÖRINSPEKTIONSTRUMMAN M18 SIC36 är utrustad med en bäranordning med vilken trumman kan bäras som en rygsäck på ryggen. Därmed kan den lilla trumman bekvämt transporteras till den plats där den ska användas, vilket framförallt är praktiskt när det finns trappor eller om stegar måste användas.

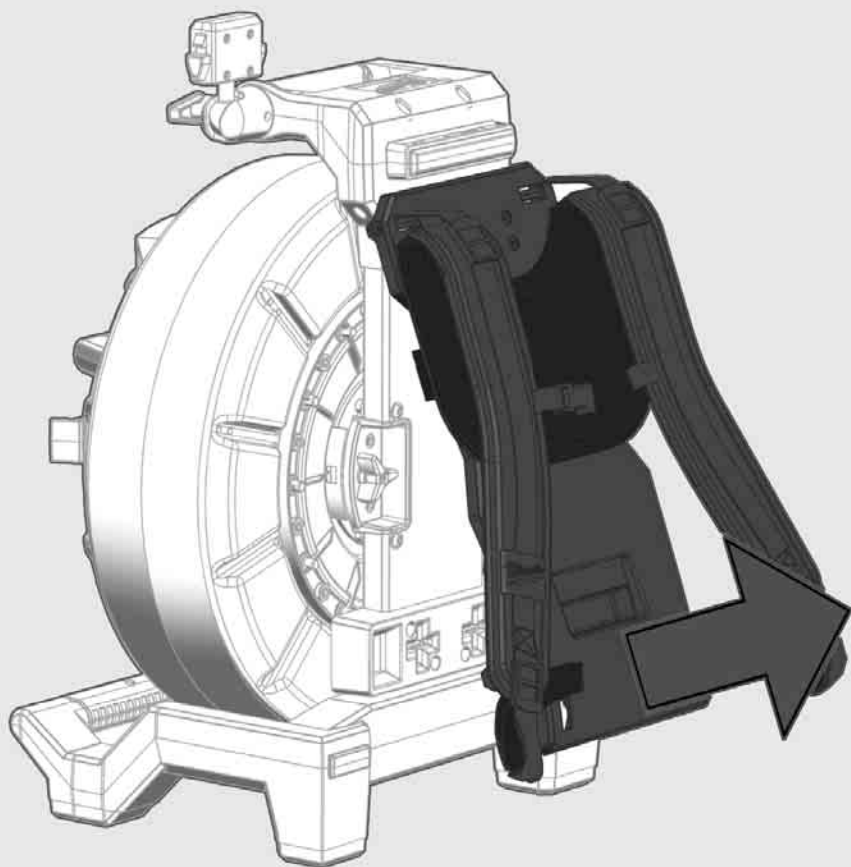


Häng in bäranordningen upptill och med handloven mot undersidan tills bäranordningen hakar fast. Dra kort i bäranordningen för att säkerställa att den har hakat fast.

**1**

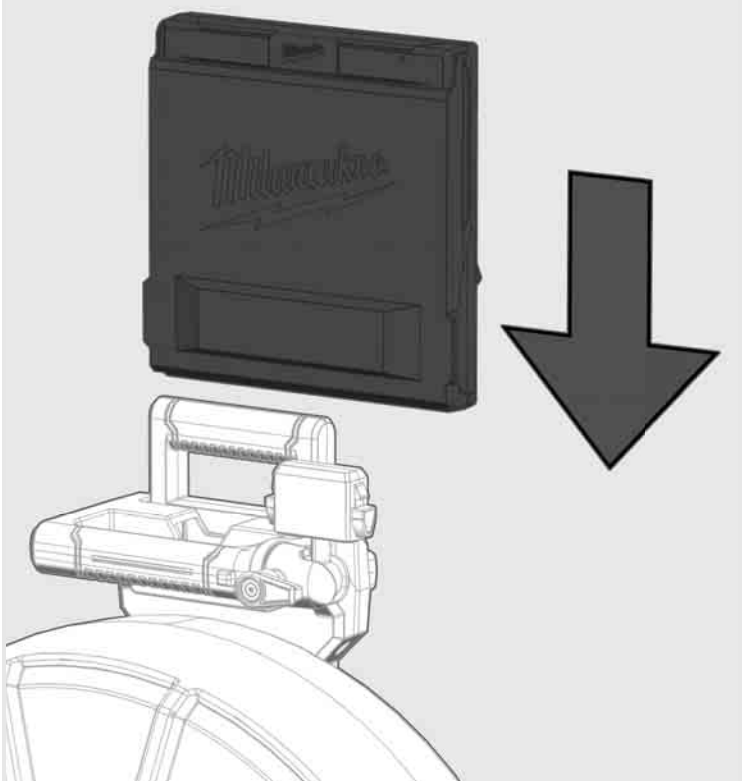


**2**

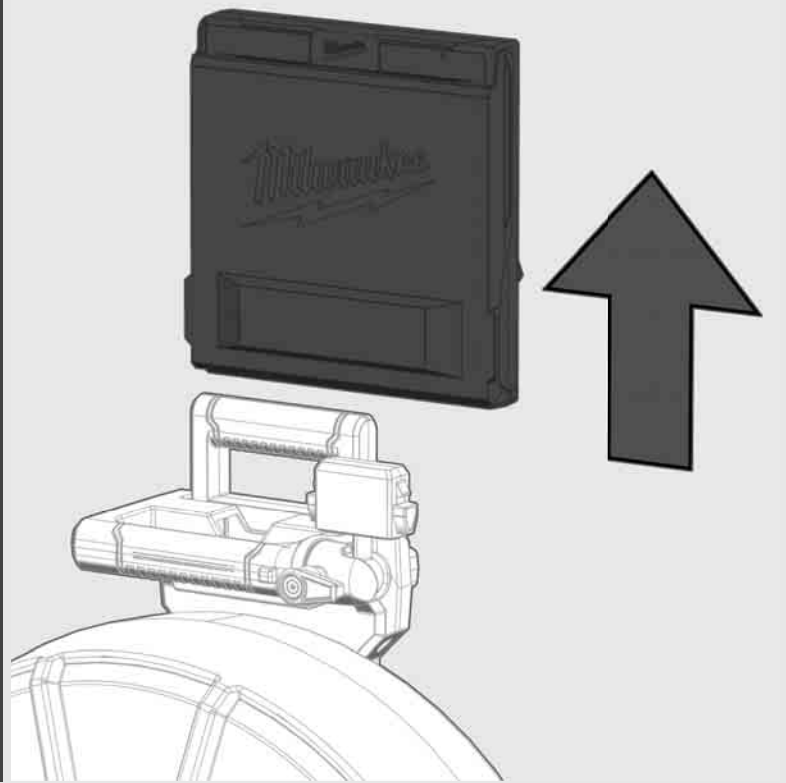
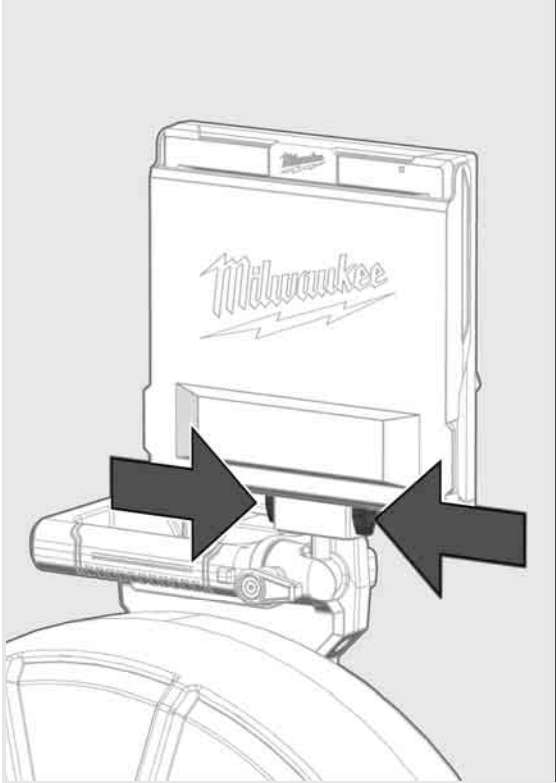




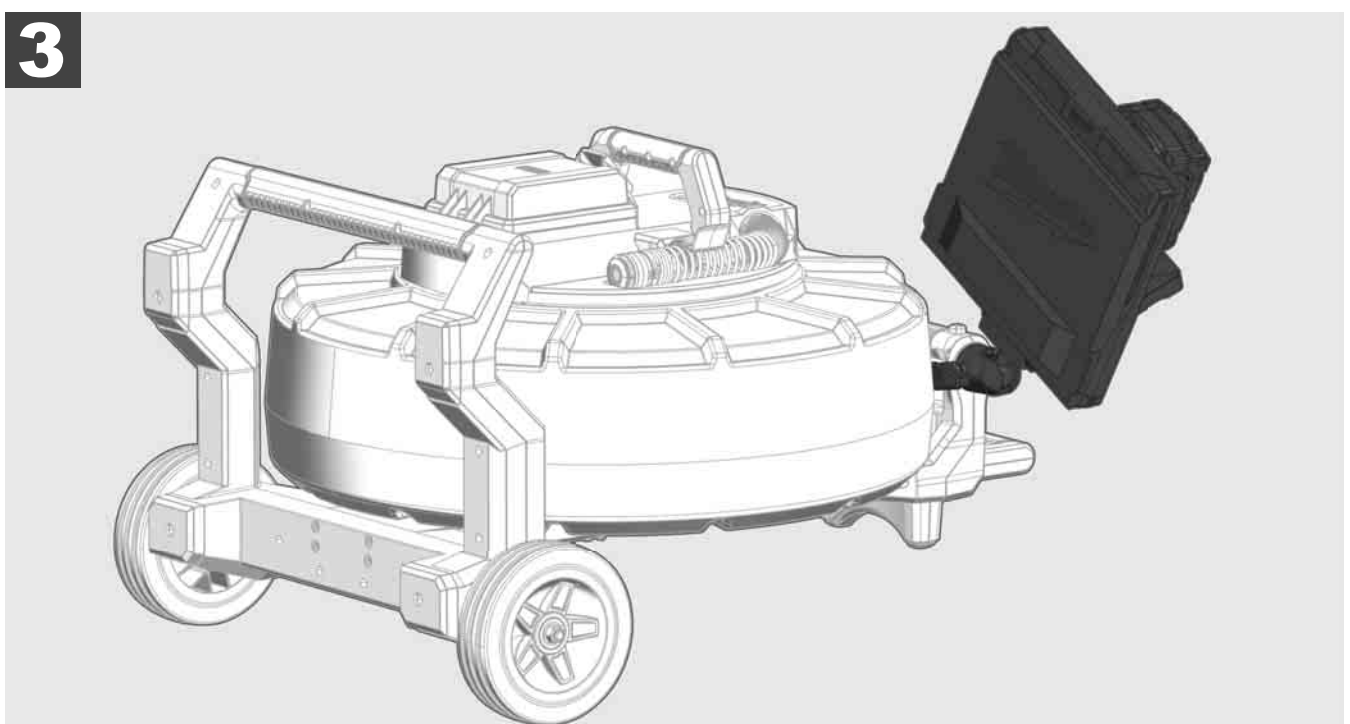
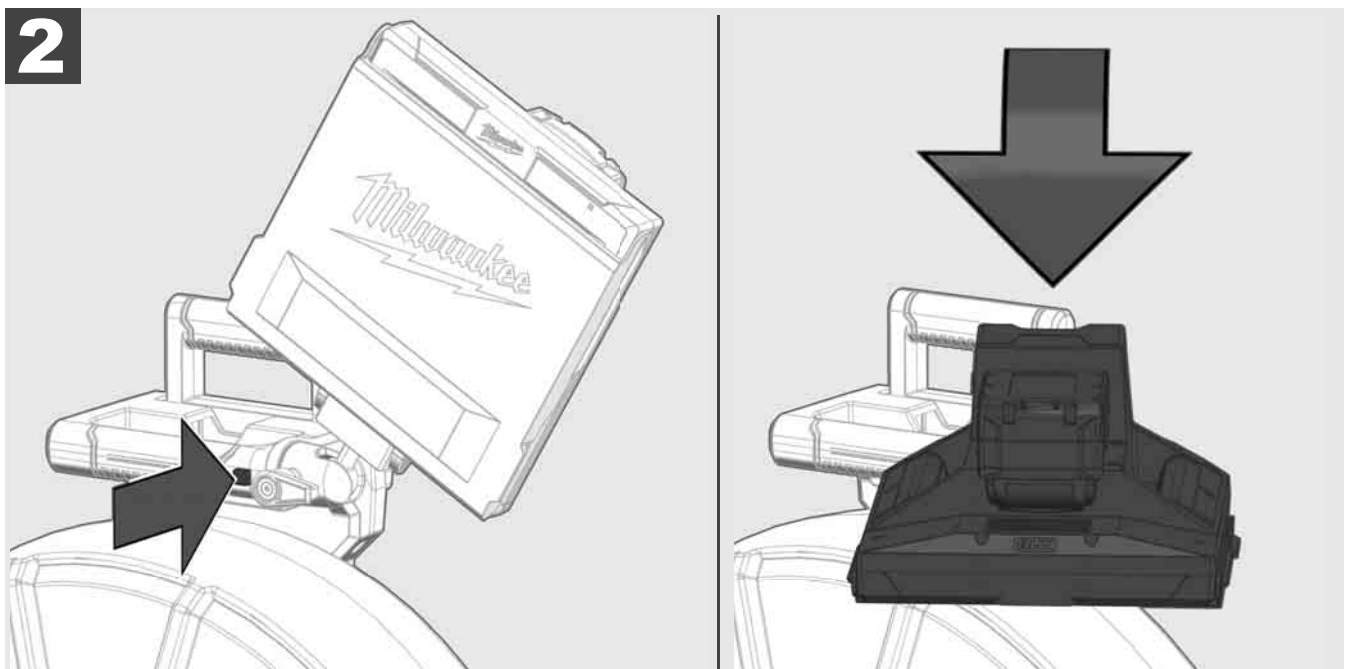
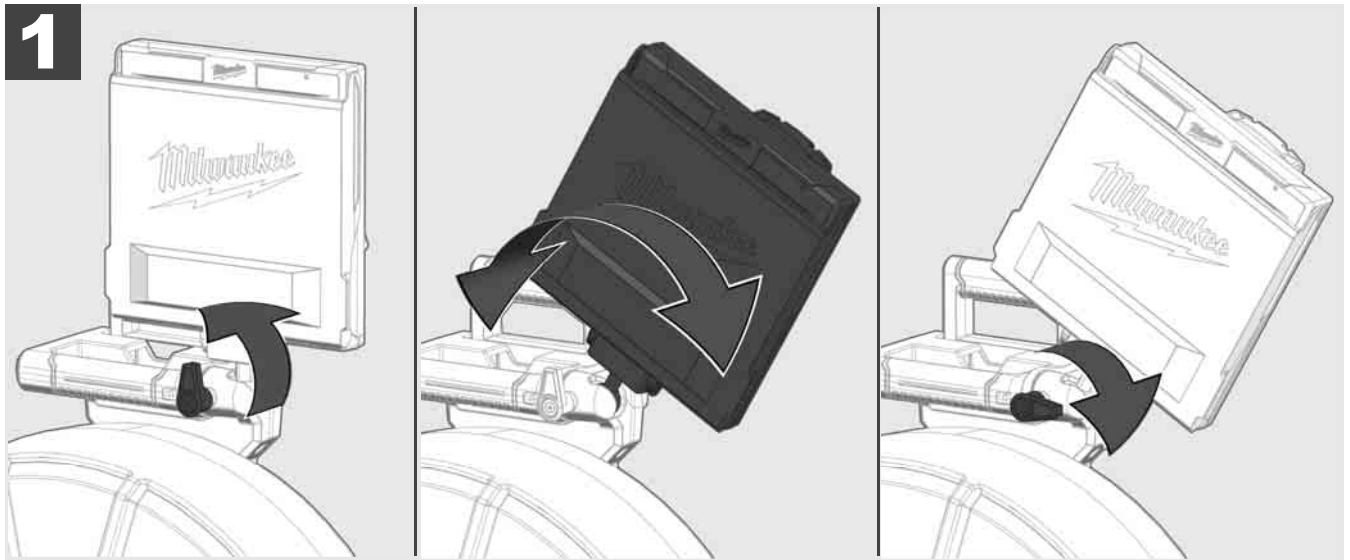
**1**



**2**



3.6 Ställa in trådlös skärm M18 SIM  



### 3.7 Användning av rörintspektionstrumman



Kontrollera om det finns spår av förlitning på skjutkabeln – Kontrollera vidupplindning om det finns avskurna, knäckta eller avskavda ställen på kabeln. Om manteln är så kraftigt avnött att den gula eller vita kevlarfätverket kan ses måste skjutkabeln bytas ut. Vid användning av en skjutkabel med skadad mantel kan vatten och fuktighet tränga in, vilket kan försämra kamerainspelningarnas kvalitet eller leda till att kameran inte fungerar.

Bilden nedan visar exempel på kraftigt skadade mantlar. Sådana skjutkablar ska bytas ut så snabbt som möjligt.

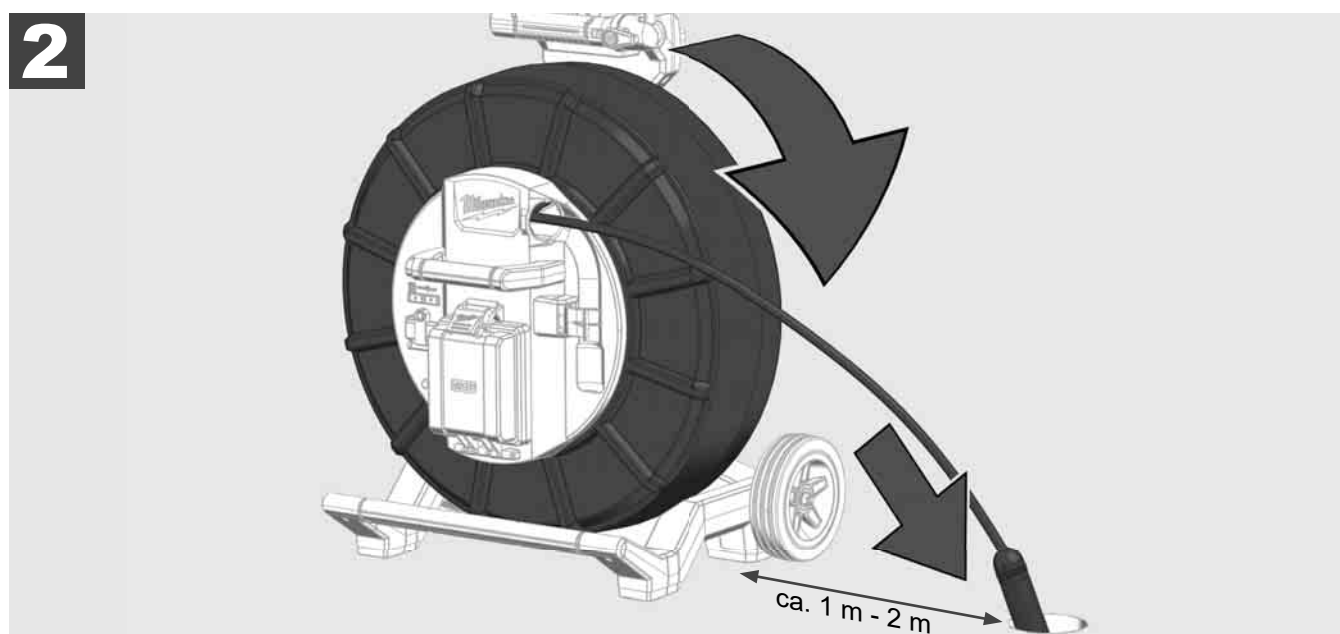
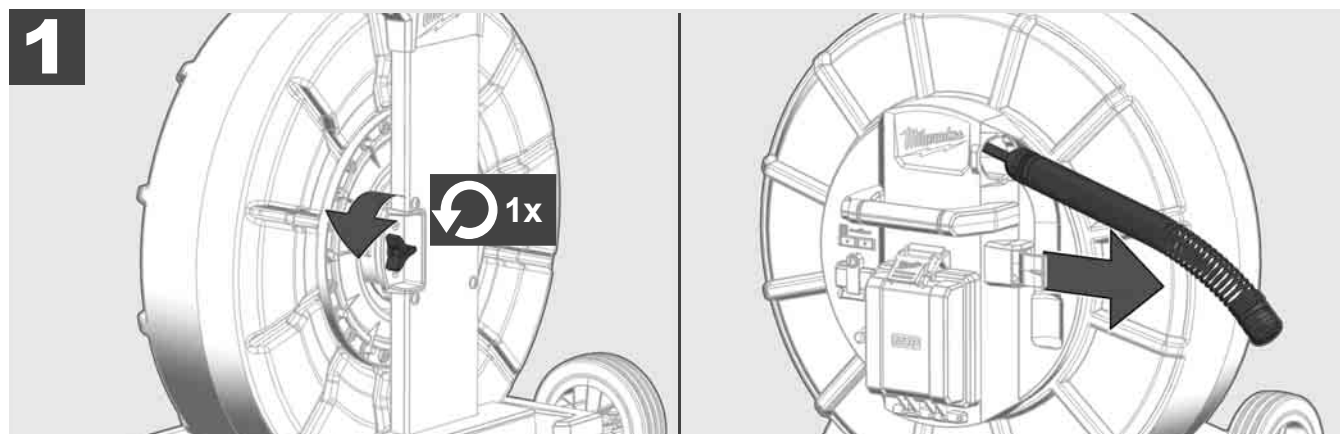


Håll alltid skjutkabeln och fjäderkomponentgruppen torra och rena – gör alltid rent kabeln med en ren, torr trasa när kabeln lindas upp. Vid slutet av en arbetsdag ska kamerahuvudet och fjädern under rinnande vatten försiktigt göras rena från smutsrester. Skaka torrt och blås bort överflödigt vatten med lågtrycksluft och låt sedan delarna torka. Kamerahuvud, skjutkabel och anslutningsdelar utsätts vid den dagliga användningen för aggressiva kemikalier. En noggrann rengöring av systemet förlänger dessa delars livslängd.

Hantera skjutkabeln med försiktighet – dra inte ut skjutkabeln ur den spärrade trumman. Annars trycks kabeln ihop inuti trumman och belastas överdrivet mycket. Att skjuta tillbaka skjutkabeln i den spärrade trumman kan däremot göra att rullen tippas eller att kabeln knäcks.

Ställ upp trumman på ett plant underlag ungefär 1 till 2 meter från inloppsstället. På så sätt finns tillräckligt med plats för att hantera kabeln utan att kabelslingor dras över marken. Aktivera vid behov friktionsbromsen för att göra skjutkabelns rörelse långsammare.

Om trumman används i horisontell position förstoras ytan mellan fötterna. Det ger trumman mer stabilitet på ojämnt underlag och minskar dess höjd, vilket är en fördel på trånga platser.





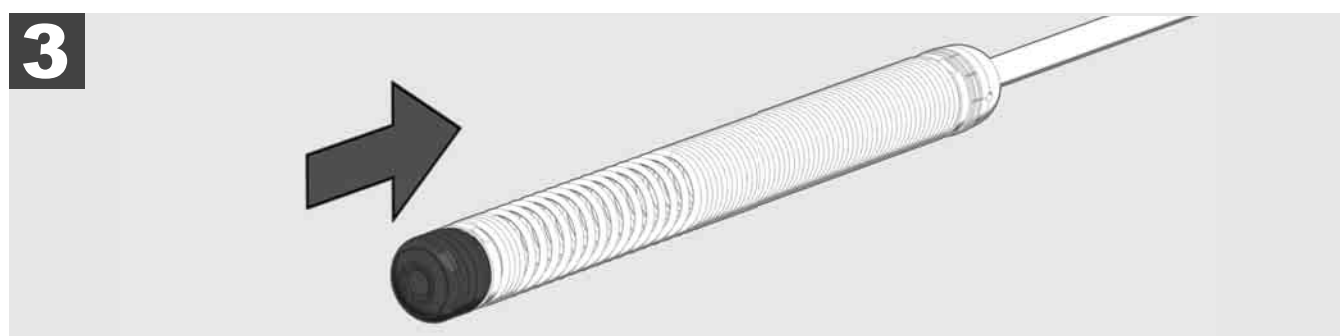
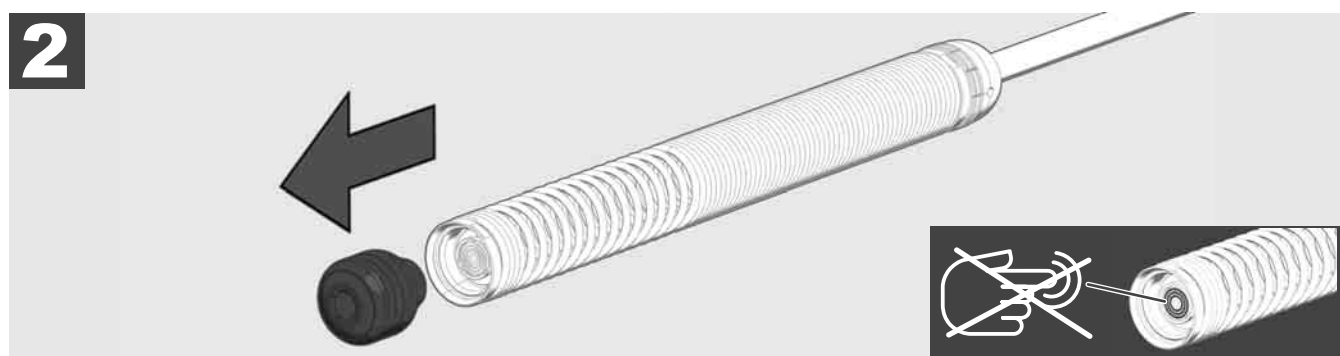
### 3.8 Komponentgrupp med kamerahuvud



Ta om möjligt inte tag i det gröna kretskortet resp. guldkontaktarna på fjäderkomponentgruppen, liksom kamerahuvudet med bara händerna. Annars förs fettskiktet från fingrarna över till dessa komponenter, vilket kan leda till korrosion i förtid. Bär om möjligt rena och torra gummihandskar.

Torka av kamerahuvudet med en torr trasa innan det tas loss för att avlägsna smutsrester som kan falla ner i kamerans anslutningsdelar.

Dra inte åt för hårt och använd inge överdrivet stor kraft!



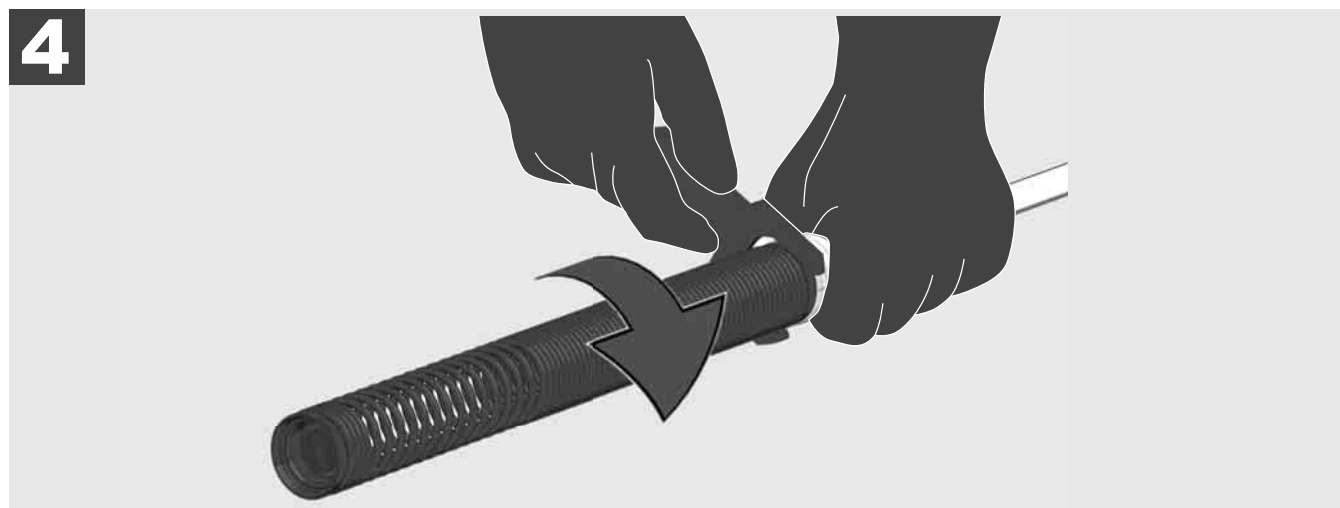
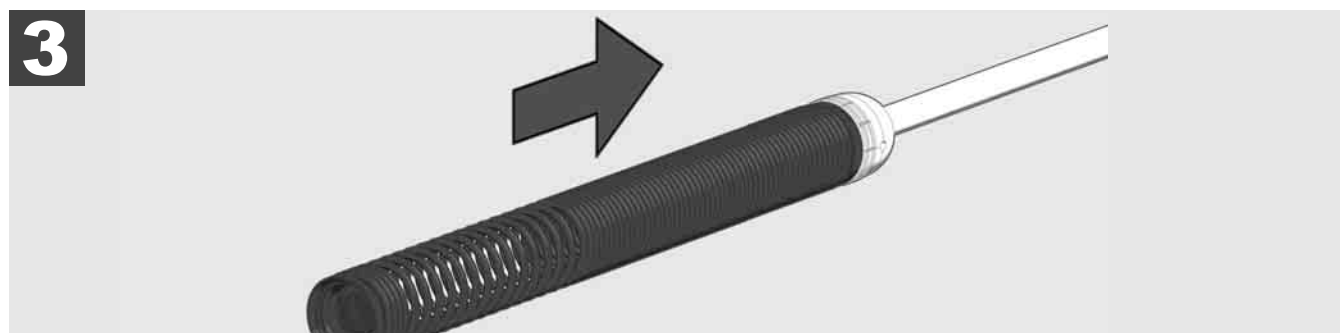
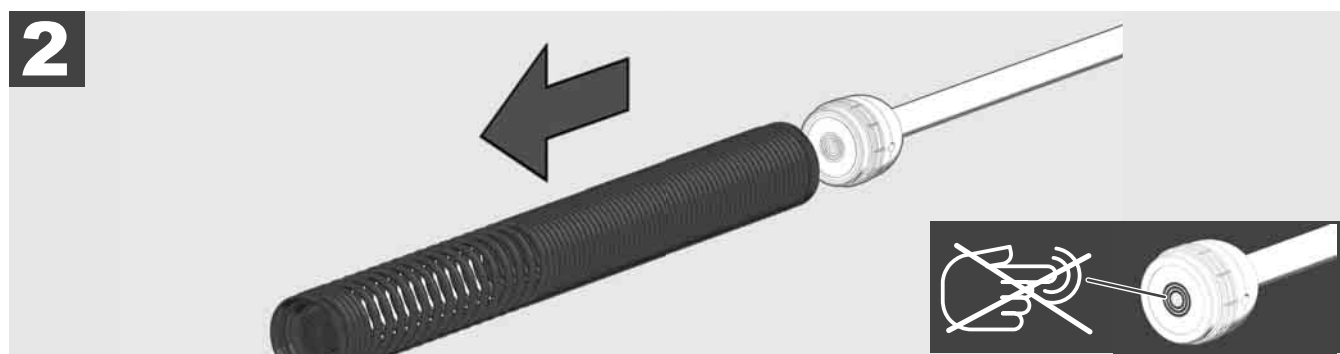
### 3.9 Fjädergrupp



Ta om möjligt inte tag i det gröna kretskortet resp. guldkontakterna på fjäderkomponentgruppen, liksom kamerahuvudet med bara händerna. Annars förs fettskiktet från fingrarna över till dessa komponenter, vilket kan leda till korrosion i förtid. Bär om möjligt rena och torra gummihandskar.

Torka av kamerahuvudet med en torr trasa innan det tas loss för att avlägsna smutsrester som kan falla ner i kamerans anslutningsdelar.

Dra inte åt för hårt och använd inge överdrivet stor kraft!



### 3.10 Kameraskyddskåpa

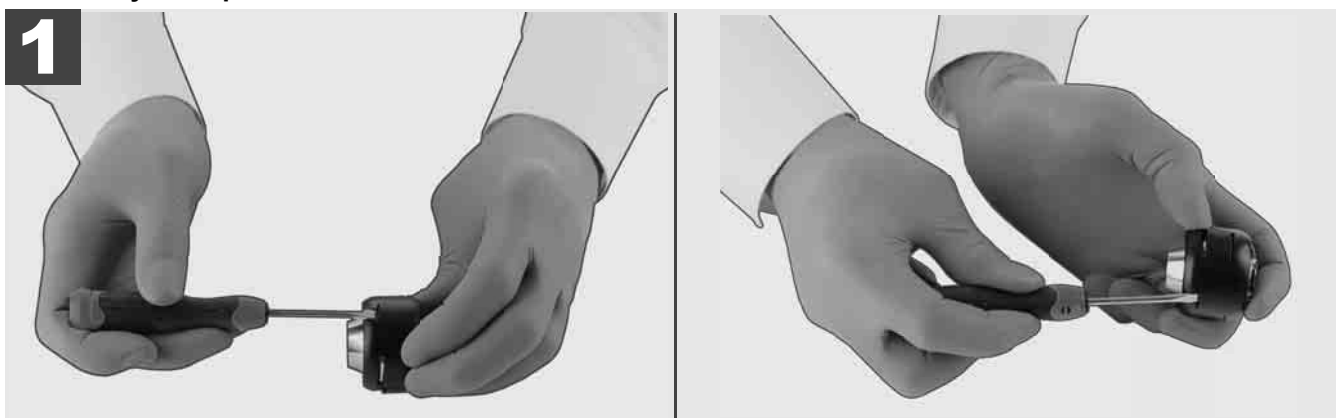


Skyddskåpor – Passande till kamerahuvuden med 25 mm resp. 34 mm diameter. Dessa skyddskåpor levereras tillsammans med alla RÖRINSPEKTIONSTRUMMOR eller reservkamerahuvuden.

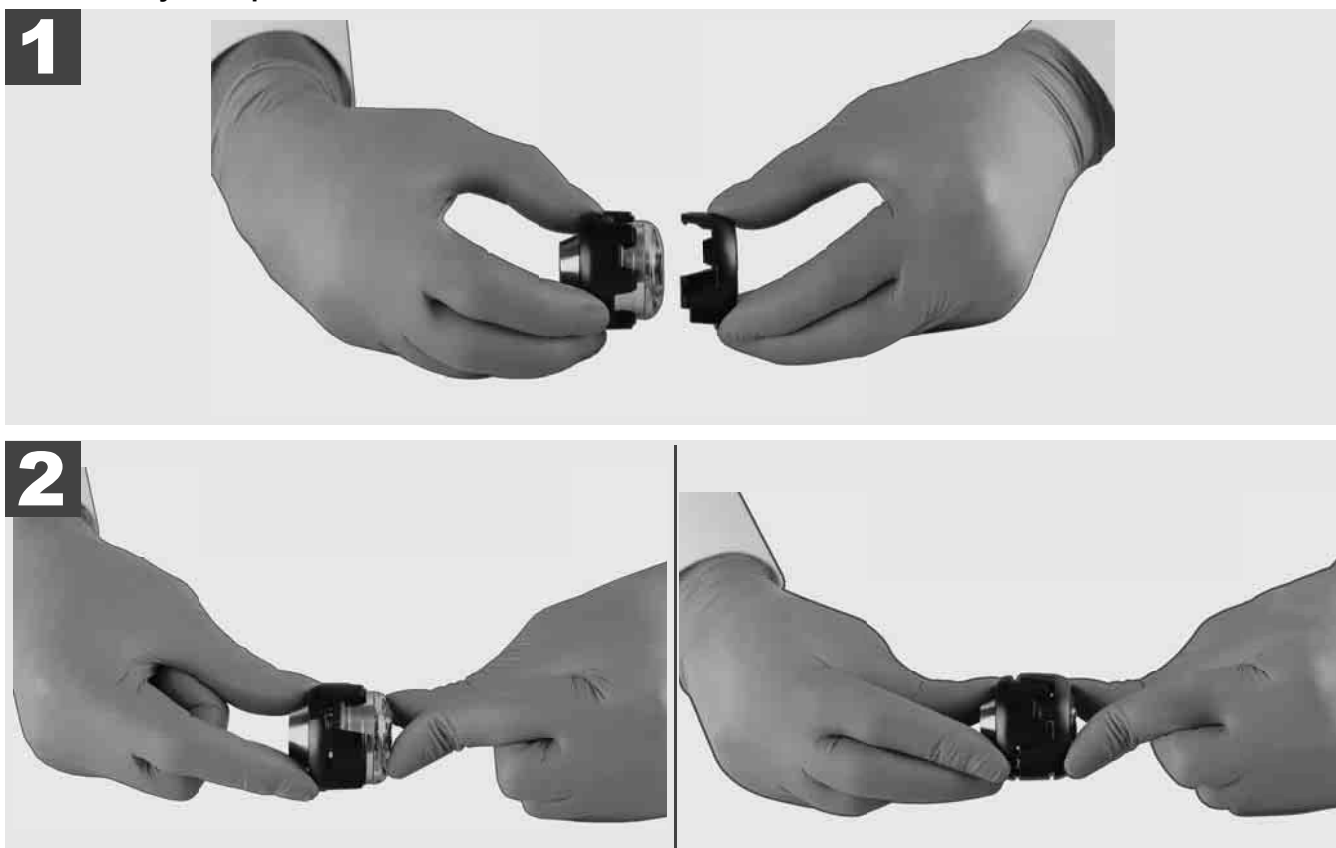
Gejder – De sätts fast på fjäderkomponentgruppen så att kamerahuvudet förs över marken och inte kommer i direkt kontakt med röret.



#### Ta bort skyddskåpa



#### Installera skyddskåpa



### 3.11 Kameragejder



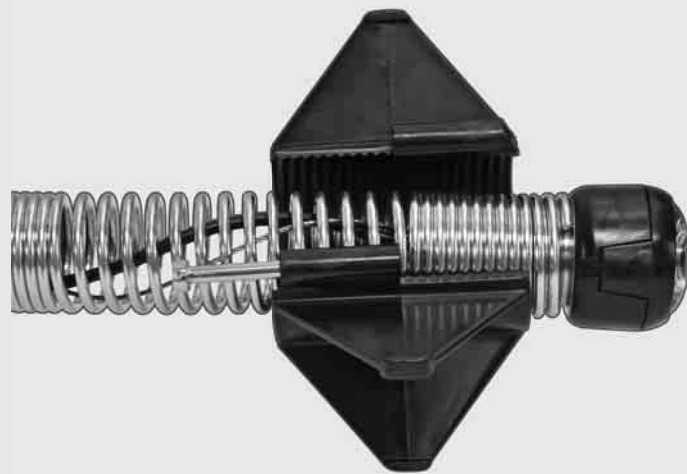
För de 25 mm resp. 34 mm breda kamerahuvuden finns vardera två gejder till förfogande: En mindre variant med 75 mm och en medelstor variant med 100 mm.

Kameragejd 25 mm

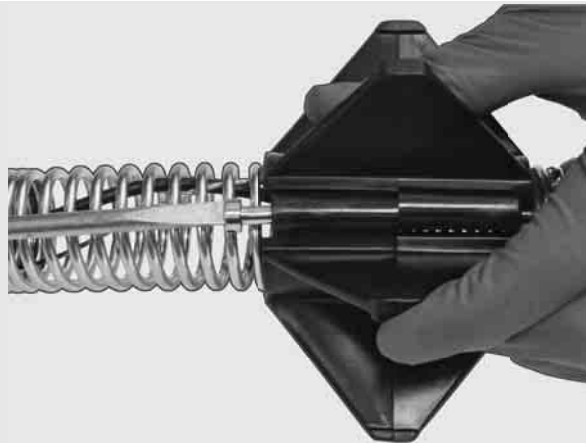
Kameragejd 34 mm



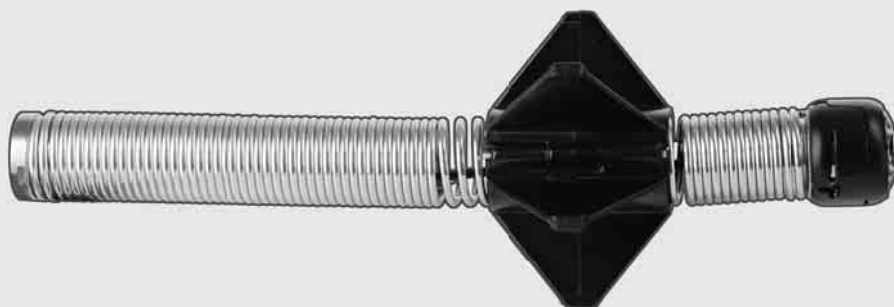
**1**



**2**




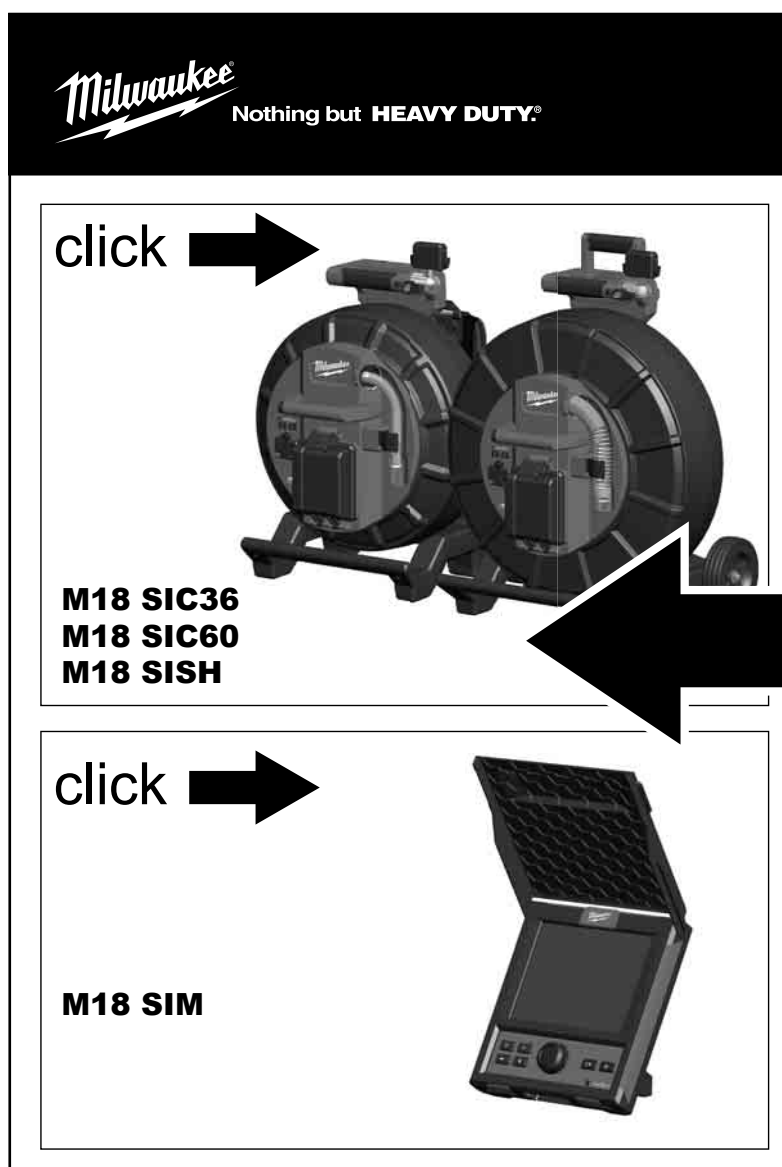
**3**



## 3.12 Service och support

Om ditt RÖRINSPEKTIONSSYSTEM måste repareras, kommer du under SERVICE OCH SUPPORT till servicesidan för Milwaukee-verktyg med alla viktiga telefonnummer.

Välj **INSTALLNINGAR**  **SERVICE OCH SUPPORT**



click

1	Yleisiä ohjeita .....	2
1.1	Putkien tarkastusjärjestelmien erityiset turvallisuusohjeet .....	2
1.2	Täydentäviä turvallisuusmääräyksiä ja työskentelyohjeita .....	2
1.3	Tekniset tiedot .....	3
1.4	Tarkoituksenmukainen käyttö .....	3
1.5	Eurooppalaisten asennusten radiotaajuusvaatimukset .....	3
1.6	EY-Vaatimustenmukaisuusvakuutus .....	3
1.7	ONE-KEY™ .....	4
1.8	Akut .....	4
1.9	Litiumioniakkujen kuljettaminen .....	4
1.10	Huolto .....	4
1.11	Symbolit .....	5
2	Smart Hub M18 SISH .....	6
2.1	Smart Hub M18 SISH -laitteen yleisnäkymä .....	6
2.2	Akun paikoilleen asettaminen ja poistaminen .....	7
2.3	Akun lataustilan tarkastaminen .....	8
2.4	Smart Hub M18 SISH -laitteen paikoilleen asettaminen .....	9
2.5	Smart Hub M18 SISH -laitteen poistaminen .....	10
2.6	Virtakytkin .....	11
2.7	Monitorin liittäminen .....	12
2.8	USB-Portit .....	13
2.9	Maadoitustanko .....	14
2.10	Pituuslaskurin nollaaminen .....	15
2.11	Kameran testiliitin .....	16
2.12	Sisäisen aseman ja USB-tikun alustaminen .....	17
2.13	Tehdasasetukset .....	18
2.14	Järjestelmäpäivitys .....	19
3	PUTKIEN TARKASTUSKELAT .....	21
3.1	Putkien tarkastuskelan M18 SIC36 yleisnäkymä .....	21
3.2	Putkien tarkastuskelan M18 SIC60 yleiskuva .....	22
3.3	Kantolaitteen asentaminen .....	23
3.4	Kantolaitteen poistaminen .....	24
3.5	Langattoman monitorin M18 SIM asentaminen .....	25
3.6	Langattoman monitorin M18 SIM säätäminen .....	26
3.7	Putkien tarkastuskelan käyttö .....	27
3.8	Kamerapäämoduuli .....	28
3.9	Jousitettu moduuli .....	29
3.10	Kameran suojuus .....	30
3.11	Kameraohjaimet .....	31
3.12	Huolto ja tuki .....	32

## 1.1 Putkien tarkastusjärjestelmien erityiset turvallisuusohjeet

Putkitöissä on tärkeää, että putkissa ei ole jännitettä tai sähkölatausta. Putkissa ei saa olla nesteitä. Kamera ja näyttölaite eivät saa päästä kosketuksiin nesteen kanssa.

Kamera ja johto eivät saa päästä kosketuksiin öljyn, kaasun ja tai muiden korroosiota aiheuttavien materiaalien kanssa.

Räjähdyksen, sähköiskun ja esinevahinkojen vaaran vähentämiseksi tarkasta työalue aina ennen työn suorittamista. Kaapeli ei saa koskettaa sähköisiin osiin, kemikaaleihin tai liikkuviin osiin.

Laitteen vahingoittumisvaaran vähentämiseksi älä käytä liikaa voimaa äläkä taita kaapelia. Älä käytä tarkastuskameraa tai kaapelia alueilla, joissa ne saattaisivat joutua kosketuksiin syövyttävien tai öljyisten aineiden kanssa.

Älä käytä kaapelia tukosten tai esteiden poistamiseen. Se ei ole putkenpuhdistuslaite!

Jos tarkastettavassa viemäriputkessa saattaa olla kemikaaleja, bakteereja tai muita myrkyllisiä aineita tai tulehduksenaiheuttajia, niin käytä valmistajan suosittelemien suojakäsineiden alla lateksi- tai kumikäsineitä sekä lisäksi suojalaseja, kasvonaamaria, suojavaatetusta ja hengityssuojainta. Putkissa saattaa olla kemikaaleja, bakteereja tai muita aineita, jotka ovat myrkyllisiä tai tulehduksia aiheuttavia ja voivat aiheuttaa syövytysvammoja tai muita vaikeita vammoja.

Noudata hygieniasta annettuja määräyksiä. Älä syö tai tupakoi laitetta käyttäessäsi. Putkien tarkastusjärjestelmän käsittelemisen tai käytön jälkeen tulee pestä kädet ja muut ruumiinosat, jotka ovat joutuneet kosketuksiin putken sisällön kanssa, aina lämpimällä vedellä ja saippualla. Näin vältät myrkyllisten tai tulehduksia aiheuttavien aineiden koskettamisesta syntyvät terveydelliset riskit.

Tarkasta ennen käyttöä, onko kaapelissa kulumia tai vaurioita. Vaihda loppuun kulunut tai vahingoittunut kierukka ennen laitteen käyttöä.

**VARO!** Kun putkien tarkastusjärjestelmää kannetaan selässä kantolaitteella, on noudatettava huolellisuutta. Saatat menettää tasapainon.

Käytä laitetta aina harkiten ja varovasti. Kaikkia vaaratilanteita ei voida ennakoida. Älä käytä tätä laitetta, jos et ymmärrä näitä ohjeita tai jos työ tuntuu sinusta liian vaikealta. Käännä lisätietojen tai koulutusten osalta Milwaukeeen tai pätevän ammattilaisen puoleen.

Älä poista etikettejä tai tyyppikilpiä. Näissä kilvissä on tärkeitä tietoja. Jos nämä ohjekilvet eivät enää ole luettavissa tai puuttuvat, ota yhteyttä MILWAUKEE-asiakaspalveluun saadaksesi uudet kilvet maksutta.

Jotkin hionnassa, sahauksessa ja porauksessa tai muissa rakennustöissä syntyneet pölyt voivat sisältää kemiallisia aineita, jotka ovat syöpää aiheuttavia, aiheuttavat synnynnäisiä epämuodostumia tai vaikuttavat lisääntymiskykyyn. Esimerkkejä tällaisista kemiallisista aineista ovat:

- lyijy lyijypohjaisista maaleista,
- kiteinen piioksidi tiileistä, sementistä tai muista muuraustuotteista sekä
- arseeni ja kromi kemiallisesti käsitellystä rakennuspuusta.

Altistumisriski riippuu siitä, kuinka usein suoritat tämän tyyppisiä tehtäviä. Jotta altistumisriski pysyy mahdollisimman pienenä, työskentele aina paikoissa, joissa on hyvä ilmanvaihto. Käytä virallisesti hyväksytyjä suojarusteita, kuten mikrohiukkassuodattimella varustettuja pölymaskeja.

## 1.2 Täydentäviä turvallisuusmääräyksiä ja työskentelyohjeita

Älä vaihda akkua, kun työalun pinta on märkä.

Käytettyjä akkuja ei saa polttaa eikä laittaa sekajätteeseen. Milwaukeeen jälleenmyyjät tarjoavat vanhoille akuille ympäristöystävällisen hävittämismahdollisuuden.

Akkuja ei saa säilyttää yhdessä metalliesineiden kanssa (oikosulkuvaara).

Lataa M18-järjestelmän akut ainoastaan M18-järjestelmän latureilla. Älä käytä muiden järjestelmien akkuja.

Vaurioituneesta akusta saattaa vuotaa akkunestettä erittäin kovassa käytössä tai äärimmäisessä lämpötilassa. Akkunesteen kanssa kosketuksiin joutunut iho on pestävä välittömästi vedellä ja saippualla. Huuhtelee kosketuksiin joutunutta silmää huolellisesti vähintään 10 minuuttia ja hakeudu välittömästi lääkäriin.

**Varoitus!** Älä oikosulun aiheuttaman palovaaran, tapaturmien tai tuotevahinkojen vuoksi koskaan upota laitetta, akkua tai laturia nesteisiin ja huolehdi, että niiden sisään ei pääse nesteitä. Syövyttävät tai sähköä johtavat nesteet, kuten suolavesi, tietyt kemikaalit ja valkaisuaineet tai valkaisuaineita sisältävät tuotteet voivat aiheuttaa oikosulun.

Tätä laitetta eivät saa käyttää tai puhdistaa sellaiset henkilöt, joiden ruumiilliset, aistiperäiset tai henkiset kyvyt ovat rajoittuneet tai joilla ei ole tähän tarvittavaa kokemusta tai tietämystä, paitsi jos heidän turvallisuudestaan laillisesti vastuullinen henkilö on opastanut heitä laitteen turvallisessa käsittelyssä. Yllämainittuja henkilöitä tulee valvoa heidän käyttäessään laitetta. Tämä laite ei kuulu lasten käsiin. Siksi sitä tulee säilyttää turvallisessa paikassa poissa lasten ulottuvilta, kun sitä ei käytetä.

### 1.3 Tekniset tiedot

	M18 SIC36	M18 SIC60	M18 SISH
Kameran kaapelin pituus.....	36 m.....	60 m	
Kamerapää.....	Ø 25 mm.....	Ø 34 mm	
Maks. suurennos.....	4x .....	4x	
Akkujännite.....			18 V
Paino EPTA-menettelyn 01/2014 mukaan (4.0 Ah / 12 Ah) ....	12,4 kg.....	20,46 kg.....	5,37 kg
Bluetooth-taajuus (taajuudet).....			2402-2480 MHz
Suurtaajuusteho .....			1,8 dBm
Bluetooth-versio .....		4.0 BT signal mode	
Suosittelun ympäristön lämpötila työn aikana .....	-18 .....	+50 °C	
Suosittelut akkutyypit.....		M18B....; M18HB....	
Suosittelut laturit.....	M12-18C, M12-18AC, M12-18FC, M1418C6		

### 1.4 Tarkoituksenmukainen käyttö

Putkien tarkastusjärjestelmällä tutkitaan ja tarkastetaan putkia. Järjestelmä koostuu kolmesta moduulista:

#### - Putkien tarkastuskela M18 SIC36 tai M18 SIC60

Putkien tarkastuskela rullaa työntökaapelin kiinni ja auki sekä ohjaa sitä. Keloja on saatavilla kahta kokoa: M18SIC36 halkaisijaltaan 50–150 mm:n putkille ja isompi malli M18SIC60 halkaisijaltaan 75–250 mm:n putkille. Molemmissa keloissa on työntökaapeli ja jousitettu moduuli, johon itsesäätyvä kamerapää on asennettu. Langatonta monitoria M18 SIM ja Smart Hub M18 SISH -laitetta voidaan käyttää molempien kelojen kanssa. Molempia keloja voidaan käyttää sekä pysty- että vaakatasossa. M18 SIC36 -laitteen takapuolelle voidaan kiinnittää kantolaite, jolla laitetta voi kantaa selässä.

#### - Smart Hub M18 SISH

Smart Hub M18 SISH -laitteella ohjataan putkien tarkastusjärjestelmää.

Langaton monitori M18 SIM tai tabletti, johon on asennettu Milwaukee®-putkentarkastussovellus, on yhteydessä Smart Hub M18 SISH -laitteeseen videotallennusten ja kuvien vastaanottamista varten. Sekä videot että kuvat tallennetaan Smart Hub M18 SISH -laitteen sisäiseen asemaan.

#### - Langaton monitori M18 SIM (ei sisälly toimitukseen; voidaan ostaa erikseen)

Langaton monitori M18 SIM mahdollistaa kamerapään kuvaamien videoiden tarkastelun, videoiden ja valokuvien kuvaamisen sekä video- ja kuvatiedostojen toiston. Videoiden kuvaamisen aikana voidaan sisäisellä mikrofonilla tallentaa puhuttuja kommentteja. Merkinnät-toiminnolla voidaan lisätä myös kommenttitekstejä. Kommenttitekstit näytetään tallennetussa videossa, ja ne näkyvät valokuvissa yhdessä päivämäärän, kellonajan ja aukirullatun kaapelin pituuden kanssa.

Älä käytä tuotetta ohjeiden vastaisesti.

### 1.5 Eurooppalaisten asennusten radiotaajuusvaatimukset

Huomautus: Tämä laite on testattu, ja sen raja-arvot ovat luokan 3 vastaanottimelle standardissa EN 300 440 V2.1.1 määritettyjen arvojen mukaisia.

Näiden raja-arvojen tarkoituksena on suojata asuinrakennuksia radiohäiriöiltä kohtuullisella tavalla.

Tämä laite reagoi toisiin laitteisiin, jotka lähettävät radioaaltoja 2402–2480 MHz:n taajuusalueella. Se saattaa häiritä kauko-ohjaimen käyttöä. Ei voida sulkea pois mahdollisuutta, että tietyissä olosuhteissa ilmenee häiriöitä. Jotta voidaan todeta, häiritsevätkö toisten laitteiden radiosignaalit tätä laitetta, sammuta muut laitteet lyhyeksi aikaa ja tarkasta, häviävätkö häiriöt. Seuraavat toimenpiteet voivat auttaa häiriöiden poistamisessa:

- Sammuta häiriön lähde.
- Pidennä väliä häiriön lähteeseen.
- Pyydä neuvoa jälleenmyyjältä tai pätevältä radioteknikolta.

### 1.6 EY-Vaatimustenmukaisuusvakuutus

Techtronic Industries GmbH vakuuttaa, että radiolaitetyyppi M18SISH on direktiivin 2014/53/EU mukainen. EU-vaatimustenmukaisuusvakuutuksen täysimittainen teksti on saatavilla seuraavasta internetosoitteesta: <http://services.milwaukeetool.eu>



## 1.7 ONE-KEY™

Jos haluat enemmän tietoa tämän laitteen ONE-KEY-toiminnosta, lue mukana toimitettu pikaopas tai vieraile internetosoitteessa [www.milwaukeetool.com/one-key](http://www.milwaukeetool.com/one-key). Voit ladata ONE-KEY-sovelluksen älypuhelimellesi App Storesta tai Google Playstä.

Jos esiintyy sähköstaattisia purkauksia, niin Bluetooth-yhteys keskeytyy. Laadi yhteys siinä tapauksessa uudelleen manuaalisesti.

Laitte on standardien EN 55014-2:2015 / EN 301489-1 V2.2.3 / EN 301489-17 V3.1.1 vähimmäisvaatimusten mukainen.

### ONE-KEY™-näyttö

Sininen valo: radioyhteys on aktiivinen ja sitä voi säätää ONE-KEY™-sovelluksella.

Sininen vilkkuvalo: laite kommunikoi ONE-KEY™-sovelluksen kanssa.

Punainen vilkkuvalo: Laitteen käyttö on estetty turvallisuussyistä, käyttäjä voi vapauttaa sen ONE-KEY™-sovelluksella.

## 1.8 Akut

Pitkään käyttämättä olleet akut on ladattava ennen käyttöä.

Yli 50 °C:n lämpötilassa akun teho heikkenee. Vältä pidempää kuumenemistä auringon tai lämmityksen vaikutuksesta.

Pidä aina latauslaitteen ja akun kosketuspinnat puhtaina.

Optimaalisen käyttöiän saavuttamiseksi akku täytyy ladata täyteen käytön jälkeen.

Mahdollisimman pitkän elinajan takaamiseksi akku tulee poistaa laturista lataamisen jälkeen.

Akkua yli 30 päivää säilytettäessä:

Säilytä akku alle 27 °C:n lämpötilassa ja kuivassa paikassa.

Säilytä akkua sen lataustilan ollessa n. 30–50 %.

Lataa akku uudelleen 6 kuukauden välein.

## 1.9 Litiumioniakkujen kuljettaminen

Litiumioniakut kuuluvat vaarallisten aineiden kuljetuksesta annettujen lakisäätöiden määräysten piiriin.

Näiden akkujen kuljettaminen täytyy suorittaa noudattaen paikallisia, kansallisia ja kansainvälisiä määräyksiä ja säädöksiä.

- Kuluttajat voivat kuljettaa näitä akkuja liikenteessä ilman erikoistoimia.
- Kaupallisessa kuljetuksessa huolintaliikkeiden täytyy kuljettaa litiumioniakkuja vaarallisten aineiden kuljetuksesta annettujen määräysten mukaisesti. Ainoastaan vastaavasti koulutetut henkilöt saavat suorittaa kuljetuksen valmistelutoimet ja itse kuljetuksen. Koko prosessia tulee valvoa asiantuntevasti.

Seuraavat kohdat tulee huomioida akkuja kuljetettaessa:

- Varmista oikosulkujen välttämiseksi, että akkujen kontaktit on suojattu ja eristetty.
- Huolehdi, että akku ei voi siirtyä paikaltaan pakkauksen sisällä.
- Vahingoittuneita tai vuotavia akkuja ei saa kuljettaa.

Pyydä tarkemmat tiedot huolintaliikkeeltäsi.

## 1.10 Huolto

Käytä vain Milwaukeeen lisälaitteita ja varaosia. Käytä Milwaukeeen huoltosopimusliikkeitä muiden kuin käyttöohjeessa kuvattujen osien vaihdossa (esite takuu/huoltoliikeosoitteet).

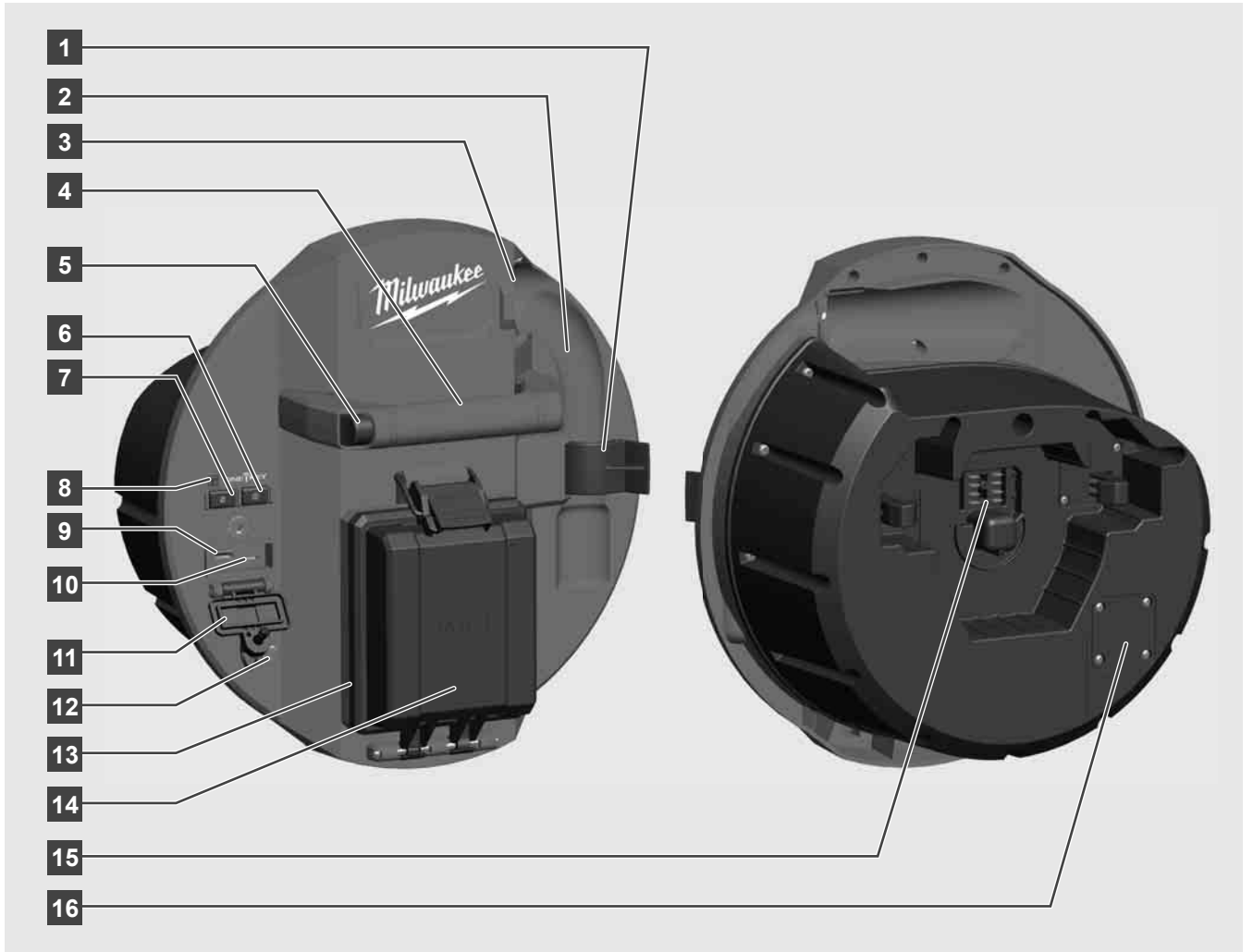
Tarvittaessa voit pyytää laitteen räjähdyssiirustuksen ilmoittaen konetyypin ja tyyppikilvessä olevan kuusinumeroisen luvun huoltopalvelustasi tai suoraan osoitteesta Techtronic Industries GmbH, Max-Eyth-Strasse 10, 71364 Winnenden, Saksa.

## 1.11 Symbolit

	HUOMIO! VAROITUS! VAARA!
	Ota akku pois ennen kaikkia laitteeseen tehtäviä toimenpiteitä.
	Lue käyttöohjeet huolellisesti ennen käyttöönottoa.
	Käytä suojakäsineitä!
	Käytä laitteella työskennellessäsi aina suojalaseja.
	Sähkölaitteita, paristoja/akkuja ei saa hävittää yhdessä kotitalousjätteiden kanssa. Sähkölaitteet ja akut tulee kerätä erikseen ja toimittaa kierrätysliikkeeseen ympäristöystävällistä hävittämistä varten. Pyydä paikallisilta viranomaisilta tai jälleenmyyjältäsi tarkemmat tiedot kierrätyspisteistä ja keräyspaikoista.
	Jännite
	Tasavirta
	Euroopan säännönmukaisuusmerkki
	Iso-Britannian standardinmukaisuusmerkki
	Ukrainan säännönmukaisuusmerkki
	Euraasian säännönmukaisuusmerkki

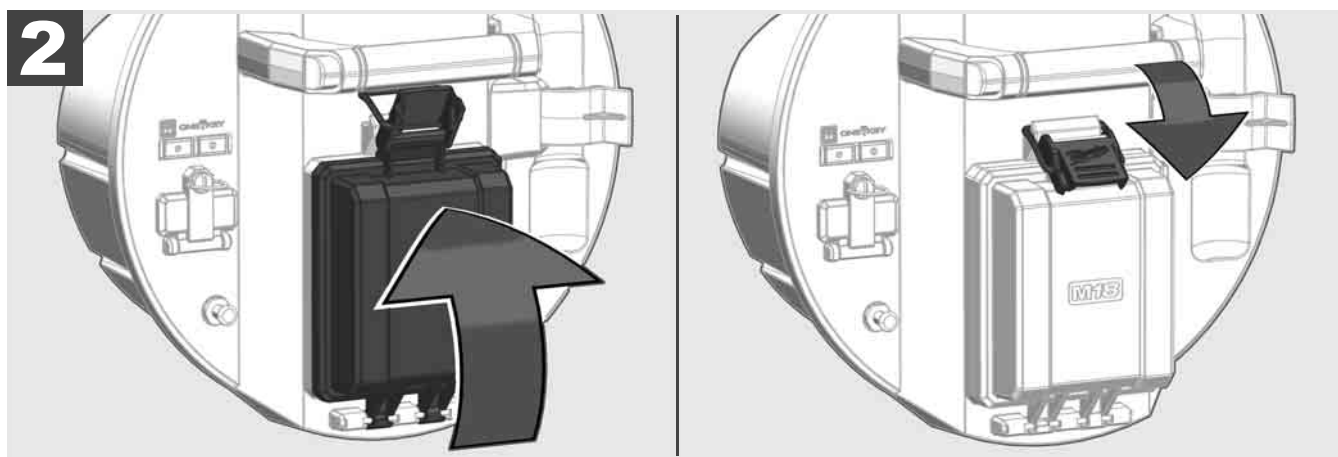
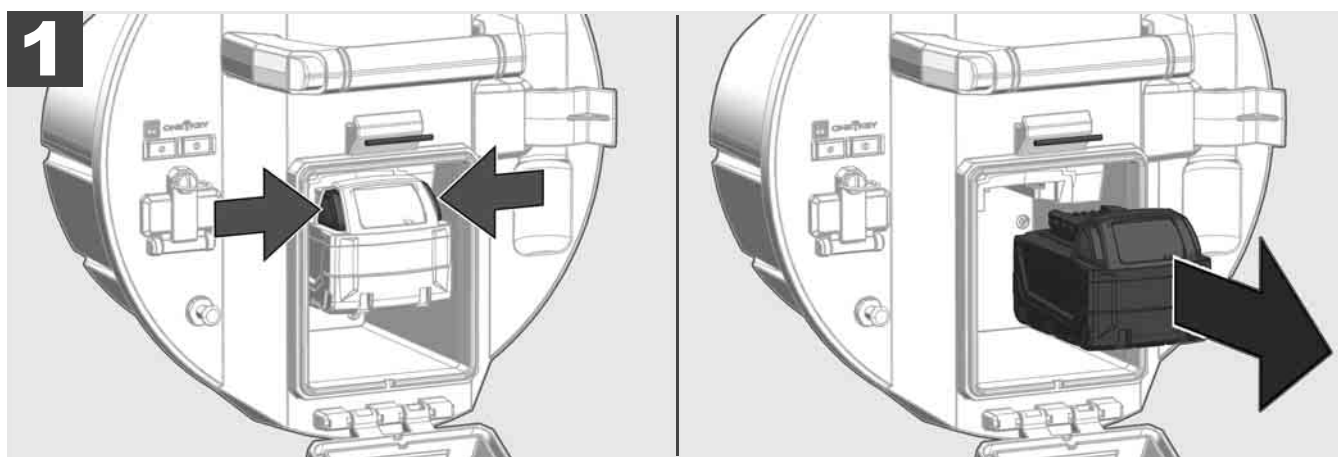
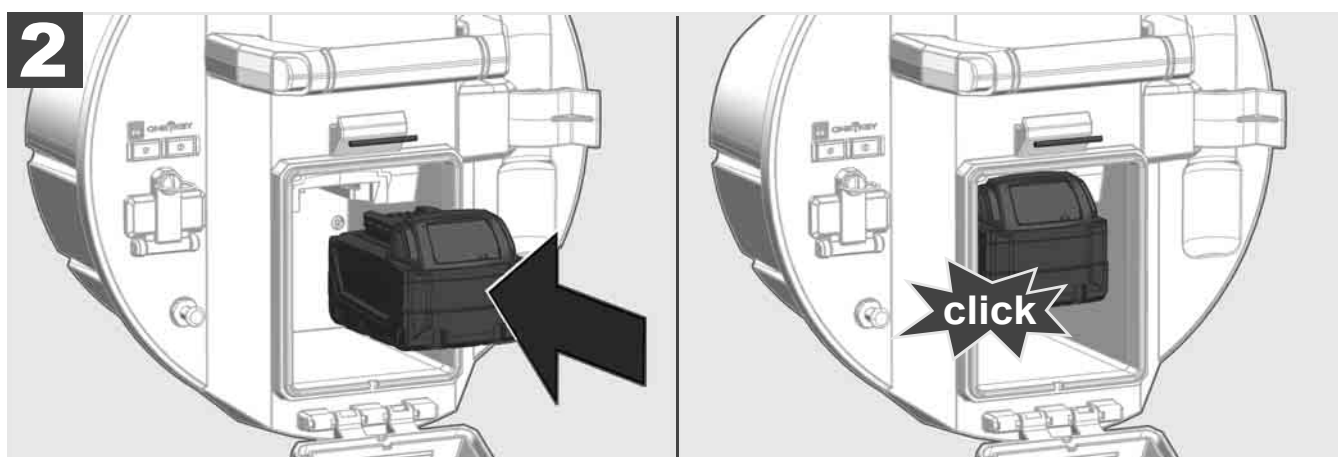
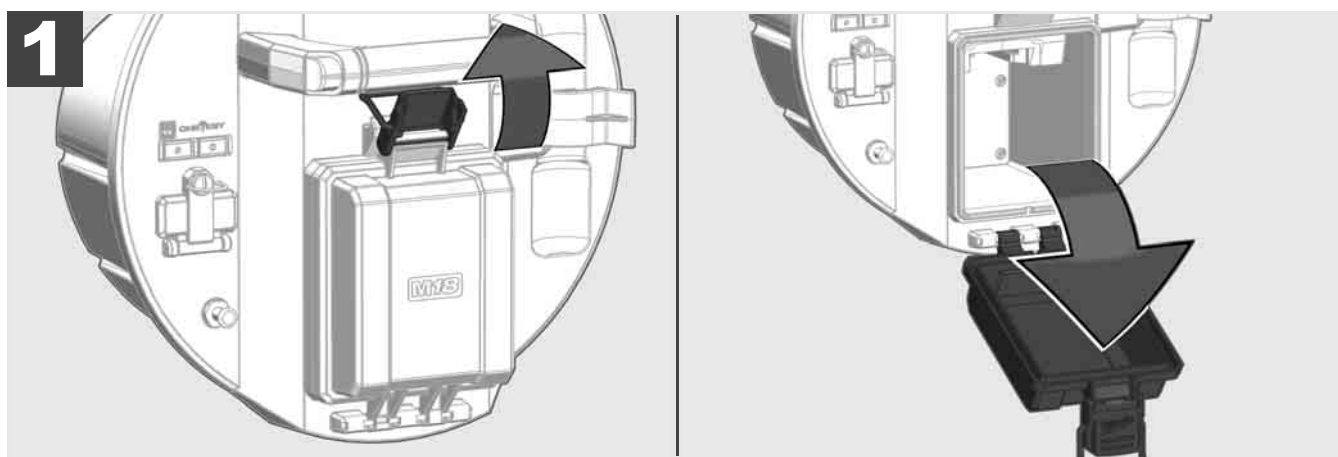
## 2 SMART HUB M18 SISH

### 2.1 Smart Hub M18 SISH -laitteen yleisnäkymä



- 1 Jousiklipsi – varmistaa jousen ja kameran kuljetuksen aikana.
- 2 Jousikiinnitin – pitää jousen ja kameran paikoillaan kuljetuksen ja säilytyksen aikana.
- 3 Kaapelinohjain – pujota jousi ja työntökaapeli ohjaimen läpi ennen Smart Hubin kiinnittämistä.
- 4 Kahva
- 5 Avauspainike – irrota Smart Hub putkien tarkastuskelasta tätä painiketta painamalla.
- 6 Pääkytkin – käynnistä laite painamalla lyhyesti kerran; sammuta pitämällä painettuna.
- 7 Kaapelin pituuden nollauspainike – nolaa aukirullatun kaapelin pituuden.
- 8 ONE-KEY-LED-näyttö
- 9 USB-A-portti – videoiden ja valokuvien suoraan tallennukseen sekä laiteohjelmistojen päivityksiin.
- 10 USB-C-portti – valinnainen virta- ja dataliitäntä, jolla langaton monitori M18 SIM liitetään Smart Hubiin.
- 11 USB-portin suoja – vesitiivis suoja, joka suojaa USB-portteja pölyltä ja kosteudelta.
- 12 Maadoitustanko – Smart Hubin maadoittamiseen työntökaapelin seurannan ajaksi.
- 13 Akkusuoja – vesitiivis suoja, joka suojaa akkua pölyltä ja kosteudelta.
- 14 Akkulokero – M18™-akulle
- 15 Liitin Smart Hubin ja putkien tarkastuskelan yhdistämiseen.
- 16 Kameran testiliitin – kamerapään vikoja korjaamiseen

## 2.2 Akun paikoilleen asettaminen ja poistaminen



## 2.3 Akun lataustilan tarkastaminen



78-100 %



55-77 %



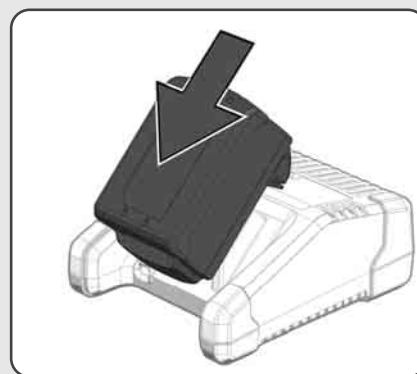
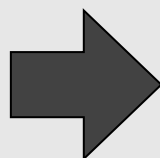
33-54 %

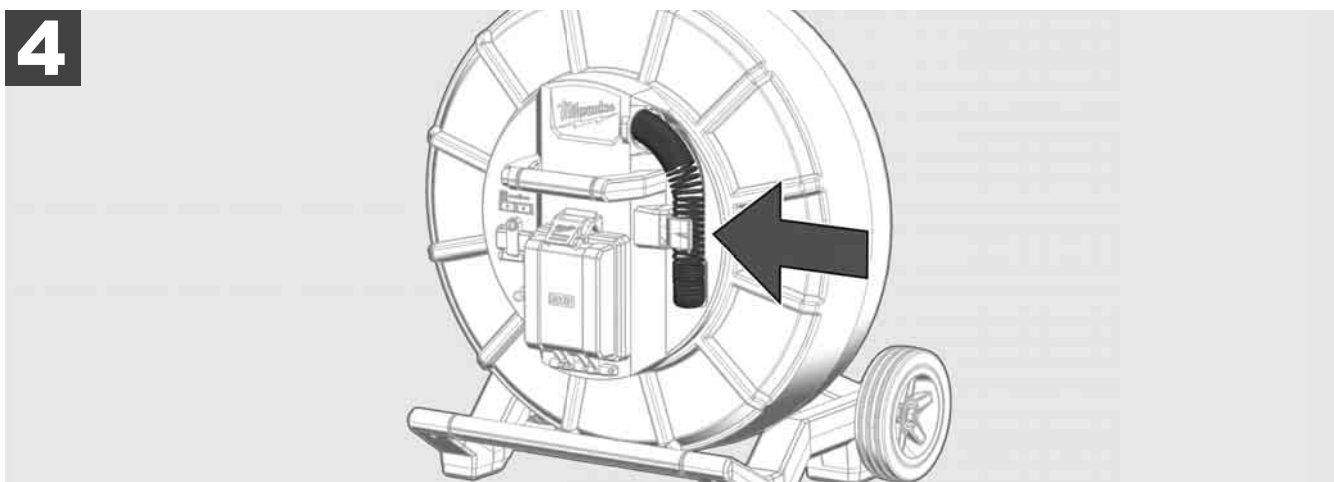
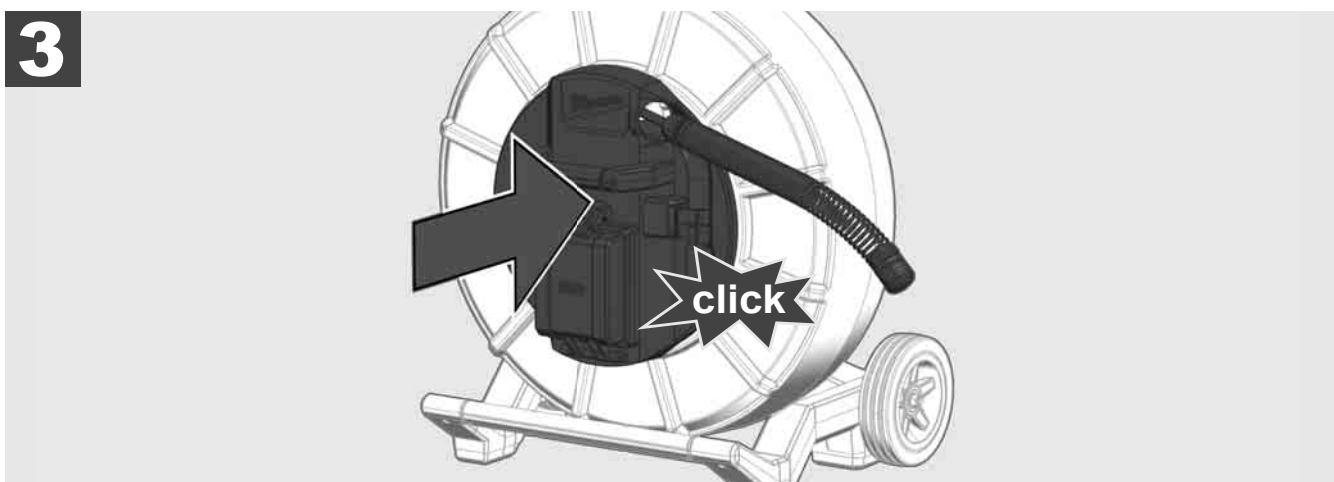
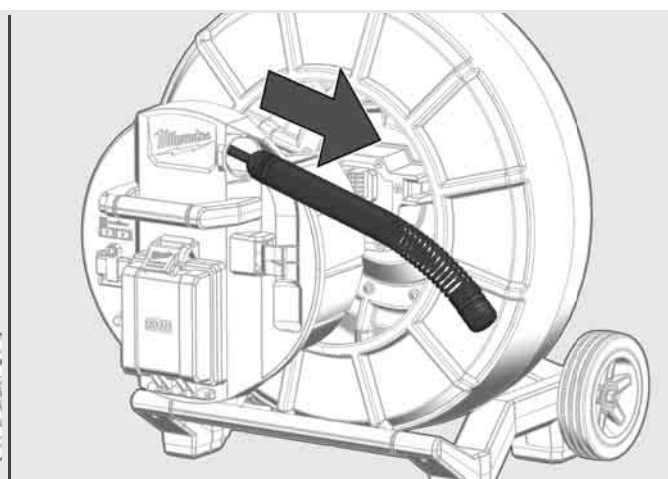
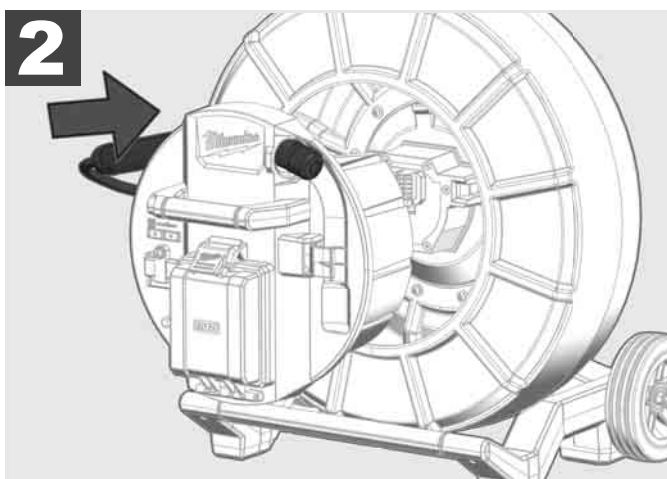
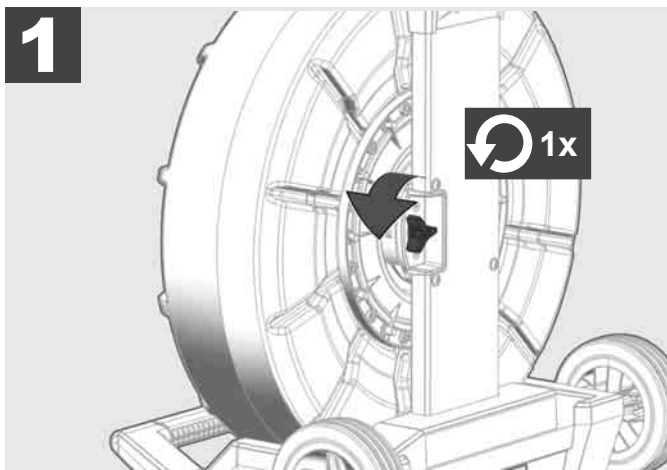


10-32 %



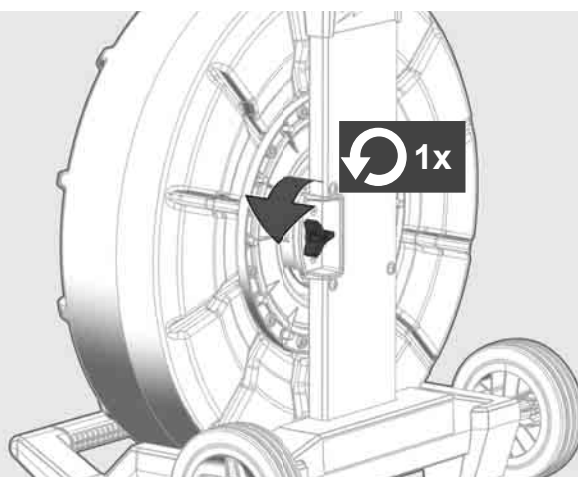
< 10 %



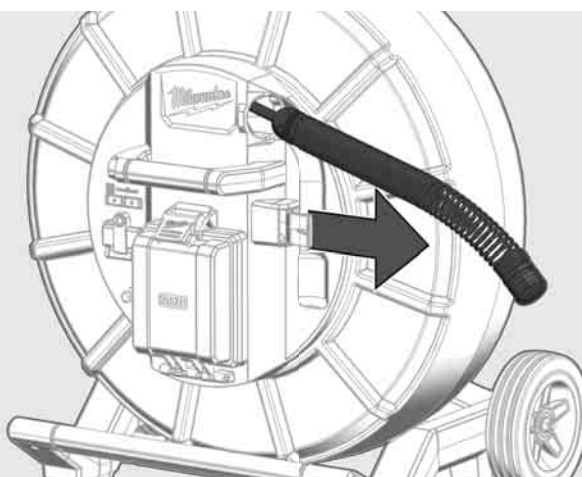




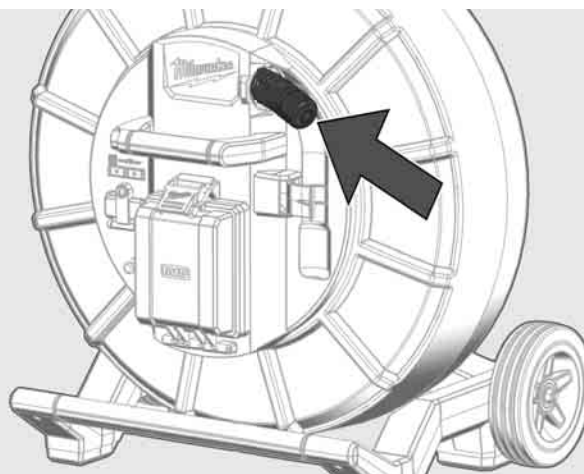
**1**



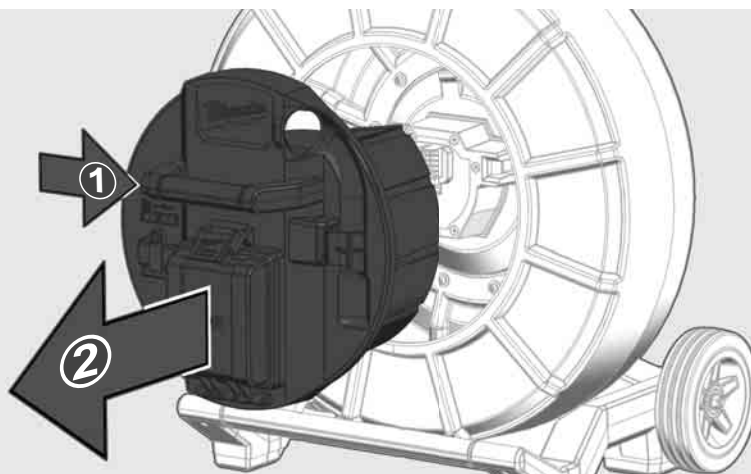
**2**



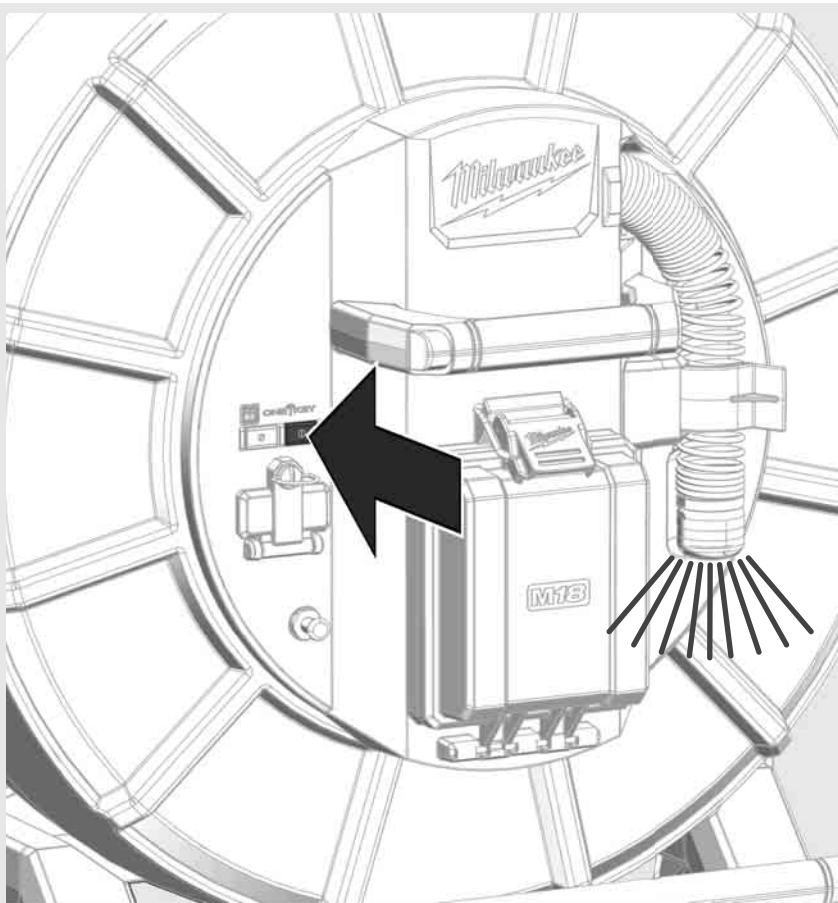
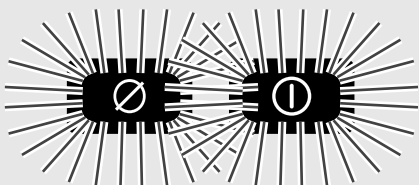
**3**



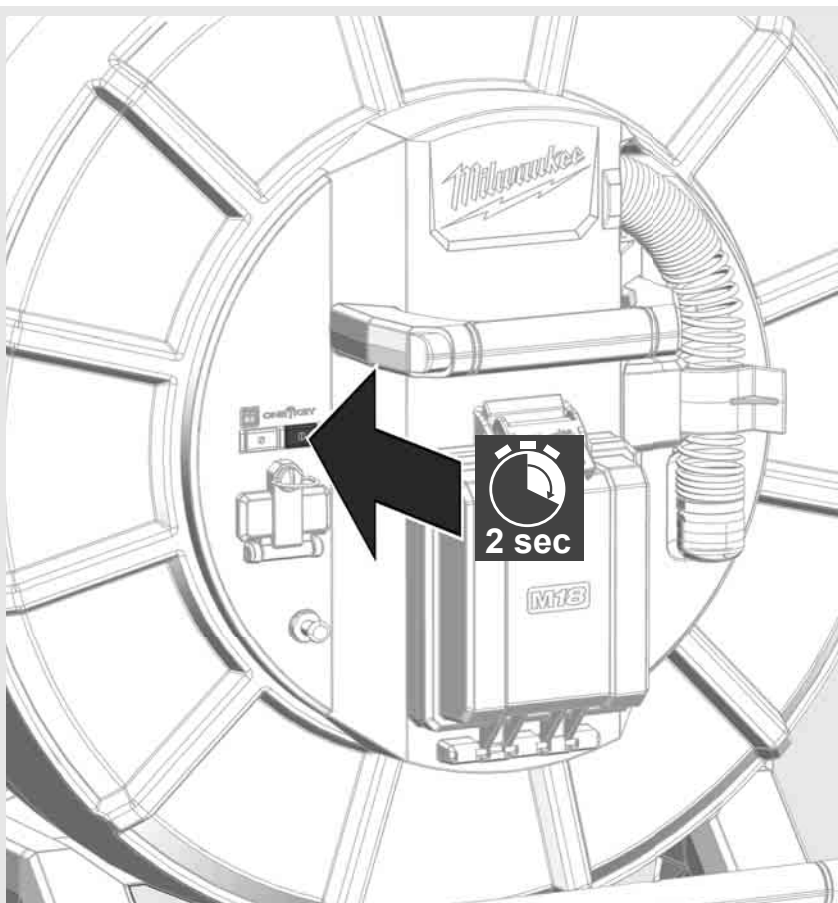
**4**



# ON



# OFF





## 2.7 Monitorin liittäminen

PUTKIEN TARKASTUSJÄRJESTELMÄN asetusten muuttamiseen, sen toimintojen ohjaamiseen ja kameralla kuvattujen valokuvien ja videoiden näyttämiseen tarvitaan ulkoinen näyttölaite.

Ulkoinen näyttölaite ei kuulu PUTKIEN TARKASTUSJÄRJESTELMÄN toimitukseen, vaan se on ostettava erikseen.

Seuraavat vaihtoehdot ovat saatavilla:

- MILWAUKEEN LANGATON MONITORI M18 SIM
- Tabletti tai älypuhelin MILWAUKEEN PUTKENTARKASTUSSOVELLUKSEN kanssa

LANGATON MONITORI yhdistetään WLAN-verkon tai USB-C-portin kautta PUTKIEN TARKASTUSJÄRJESTELMÄÄN, ja se on heti käyttövalmis. Tablettia tai älypuhelimta käytettäessä MILWAUKEEN PUTKENTARKASTUSSOVELLUS on asennettava ensin kyseiseen laitteeseen.

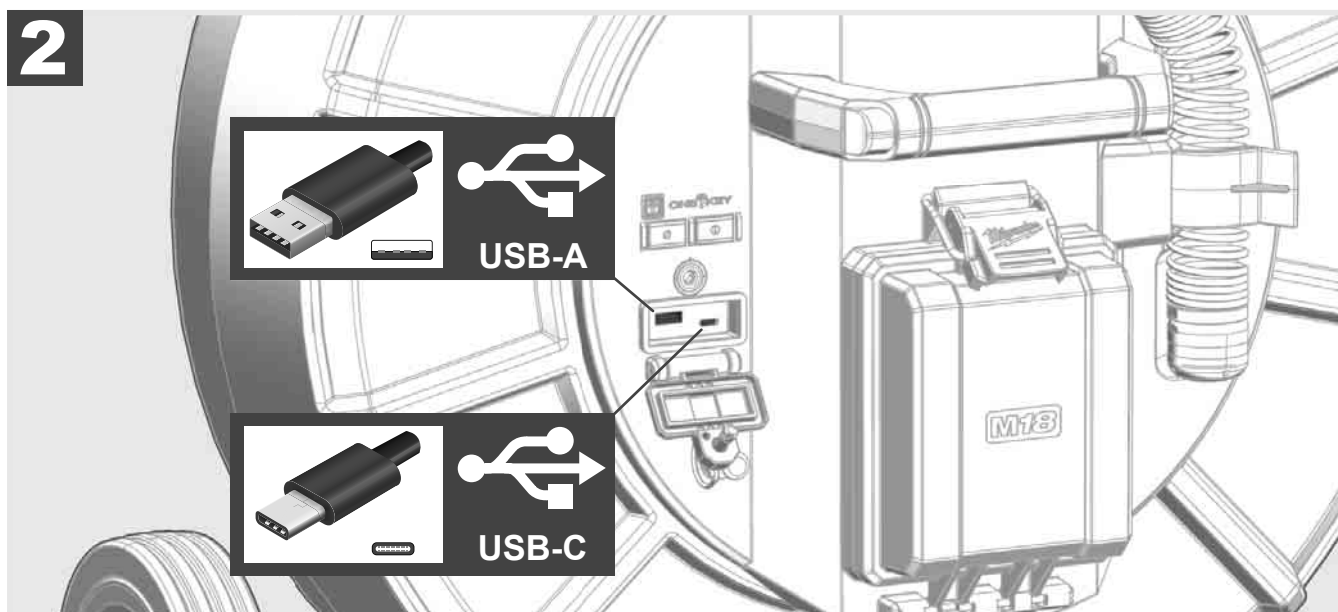
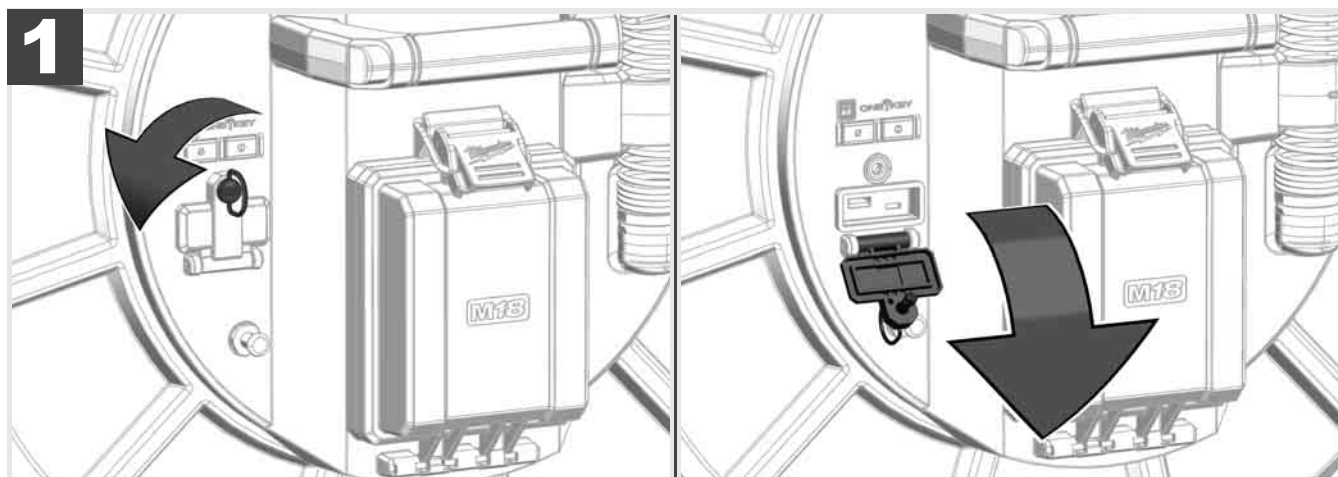
### **ENSIMMÄINEN KÄYTTÖ LANGATTOMAN MONITORIN M18 SIM KANSSA:**

1. Käynnistä SMART HUB ja LANGATON MONITORI.
2. LANGATON MONITORI yhdistyy 25 sekunnin sisällä automaattisesti SMART HUB -laitteeseen.

\*Liitä monitori kaapeliyhteyttä varten USB-C-kaapelilla Smart Hubiin.

### **ENSIMMÄINEN KÄYTTÖ ÄLYPUHELIMEN TAI TABLETIN KANSSA:**

1. Lataa ja asenna MILWAUKEEN PUTKENTARKASTUSSOVELLUS.
2. Käynnistä SMART HUB ja näyttölaite.
3. Valitse vaihtoehto Asetukset > WLAN.
4. Valitse vaihtoehto MTCAM\_[LAST 9 DIGITS OF HUB SERIAL #].
5. Syötä salasana: 29702000
6. Käynnistä MILWAUKEEN PUTKENTARKASTUSSOVELLUS.

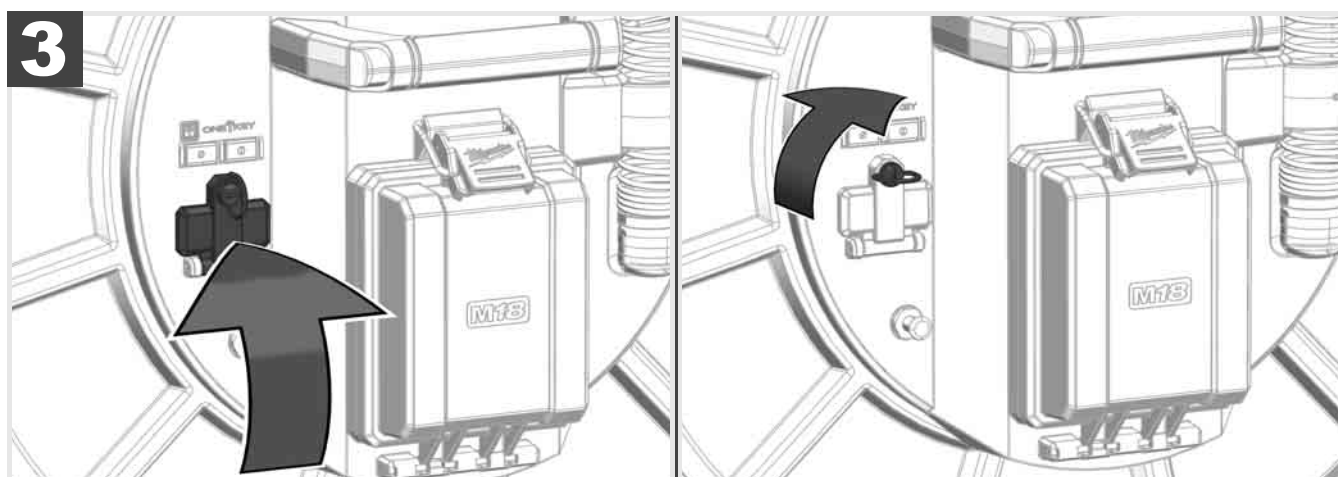


### USB-A

- Portti tavalliseen käyttöön. Mahdollistaa video- ja kuvatiedostojen suoran tallennuksen tai niiden siirron sisäisestä Smart Hub -asemasta.
- Mahdollistaa Smart Hubin laitteistopäivitykset.

### USB-C

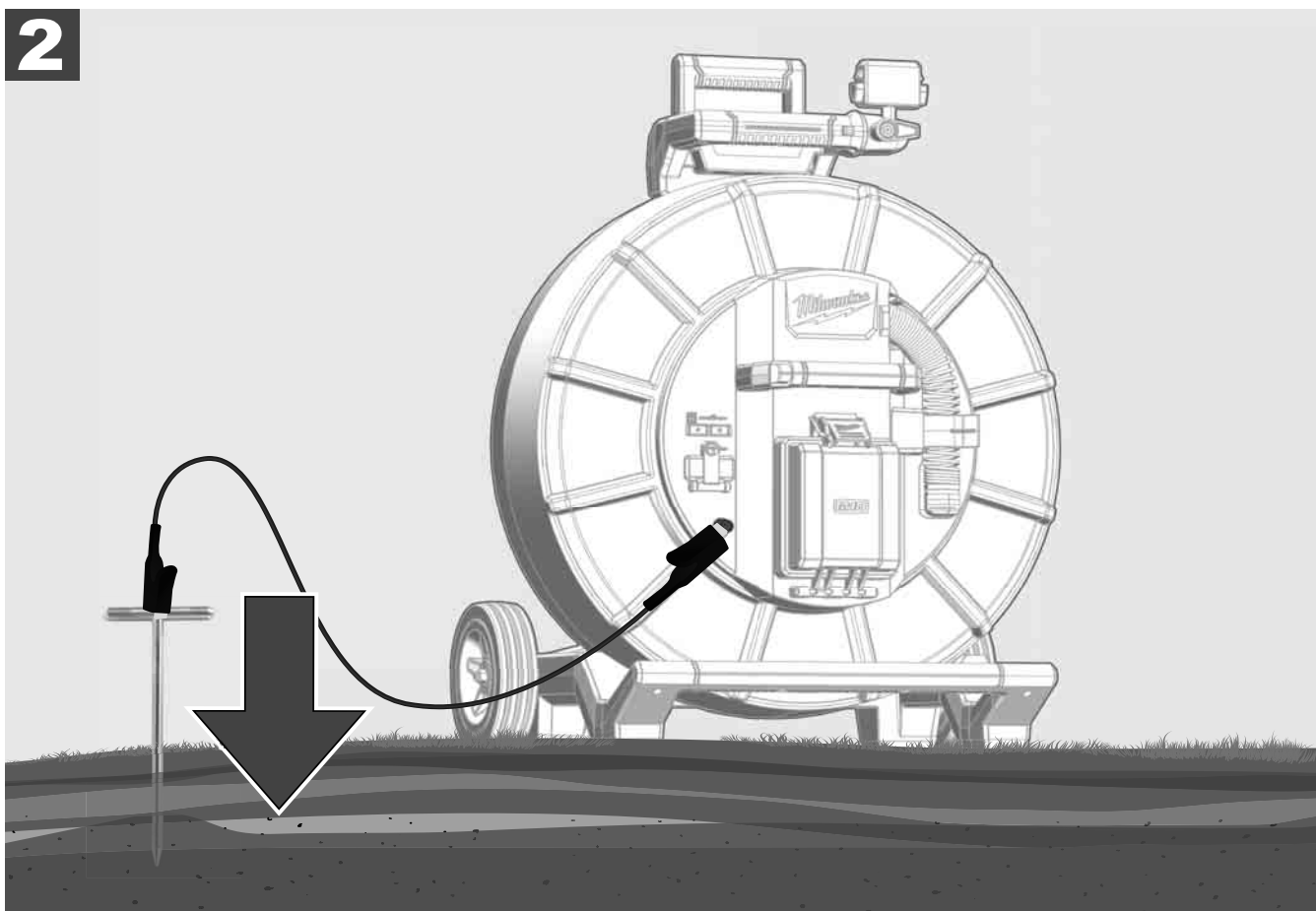
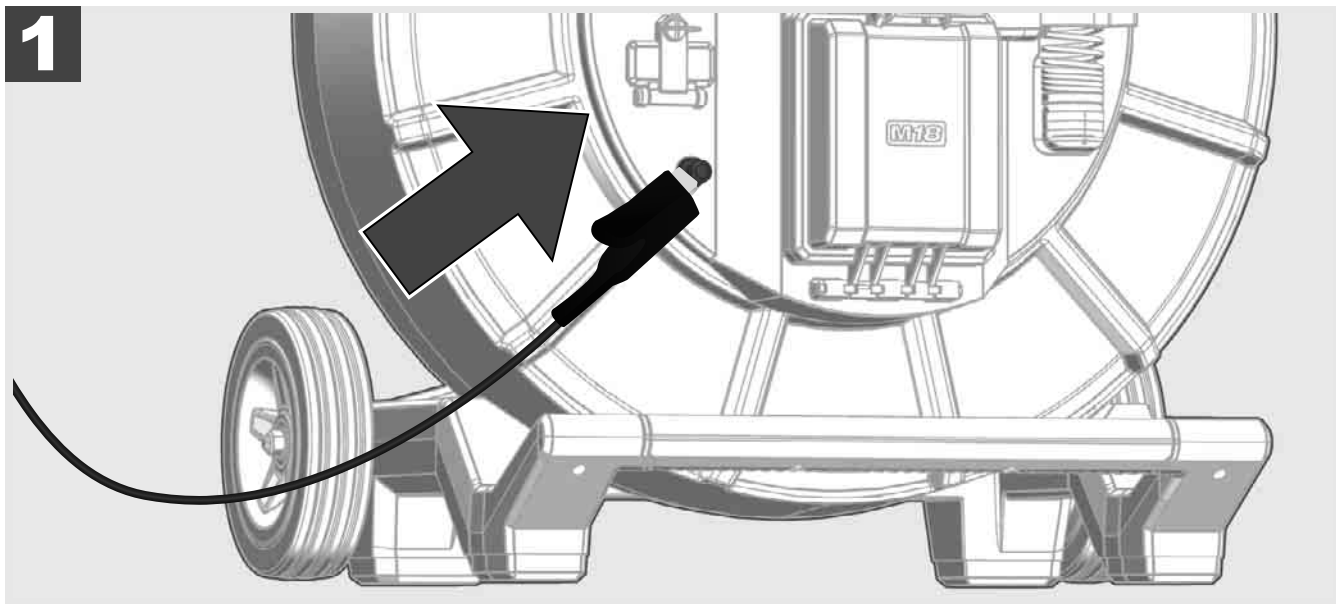
- Mahdollistaa langattoman monitorin M18 SIM ja Smart Hubin yhdistämisen ilman WLAN-verkkoa. Smart Hubin virransaanti langattomasta monitorista M18 SIM tai toisin päin, kun akkua ei ole ladattu.



## 2.9 Maadoitustanko




Maadoitustankoa on käytettävä aina silloin, kun työntökaapelia seurataan KAAPELIN SEURANTA -toiminnolla. Smart Hub on maadoitettava, jotta silmukka on suljettu ja lähetetään hyvä paikannussignaali. Käytä Smart Hubin maadoitukseen mukana toimitettua maadoitustankoa.

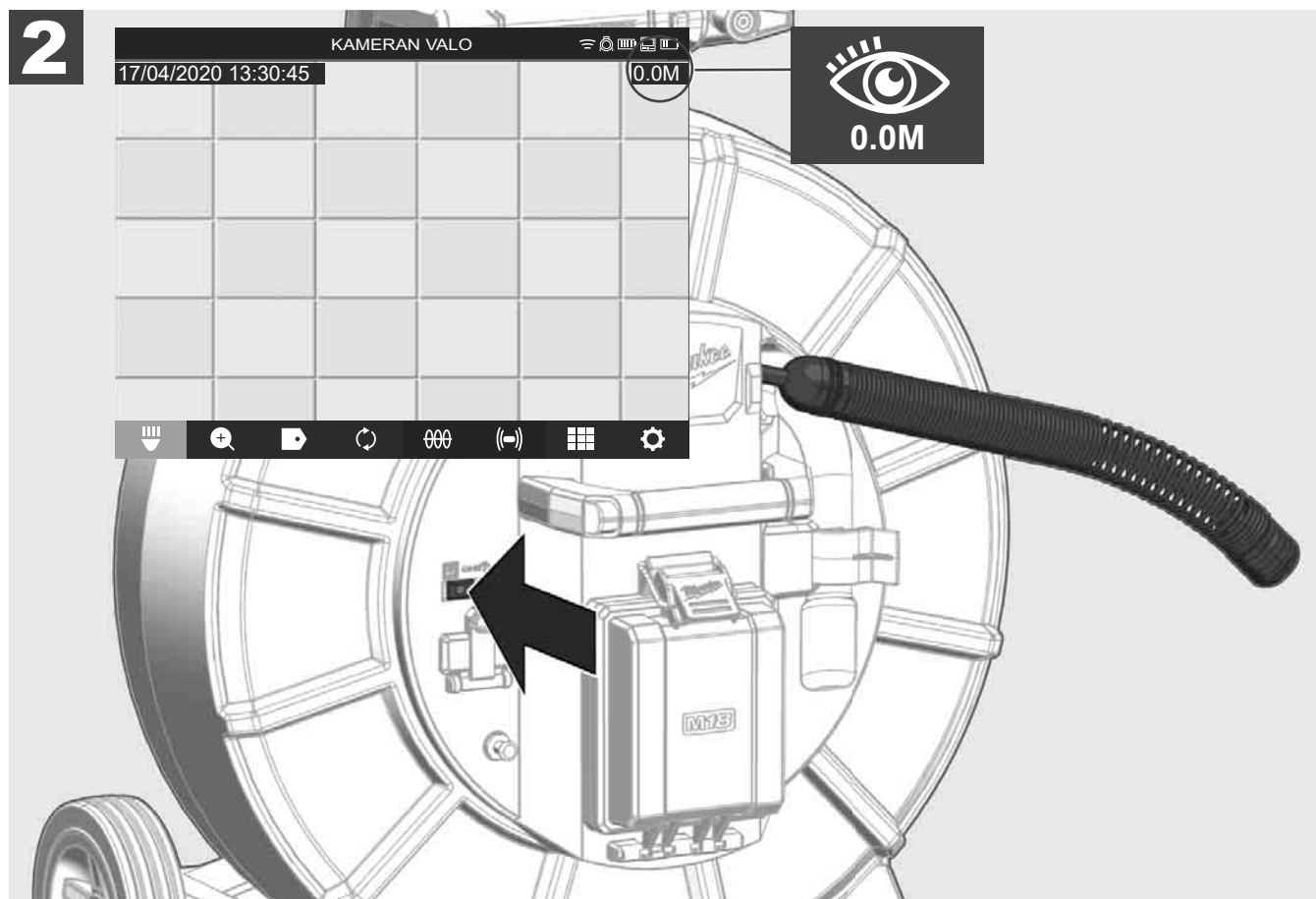
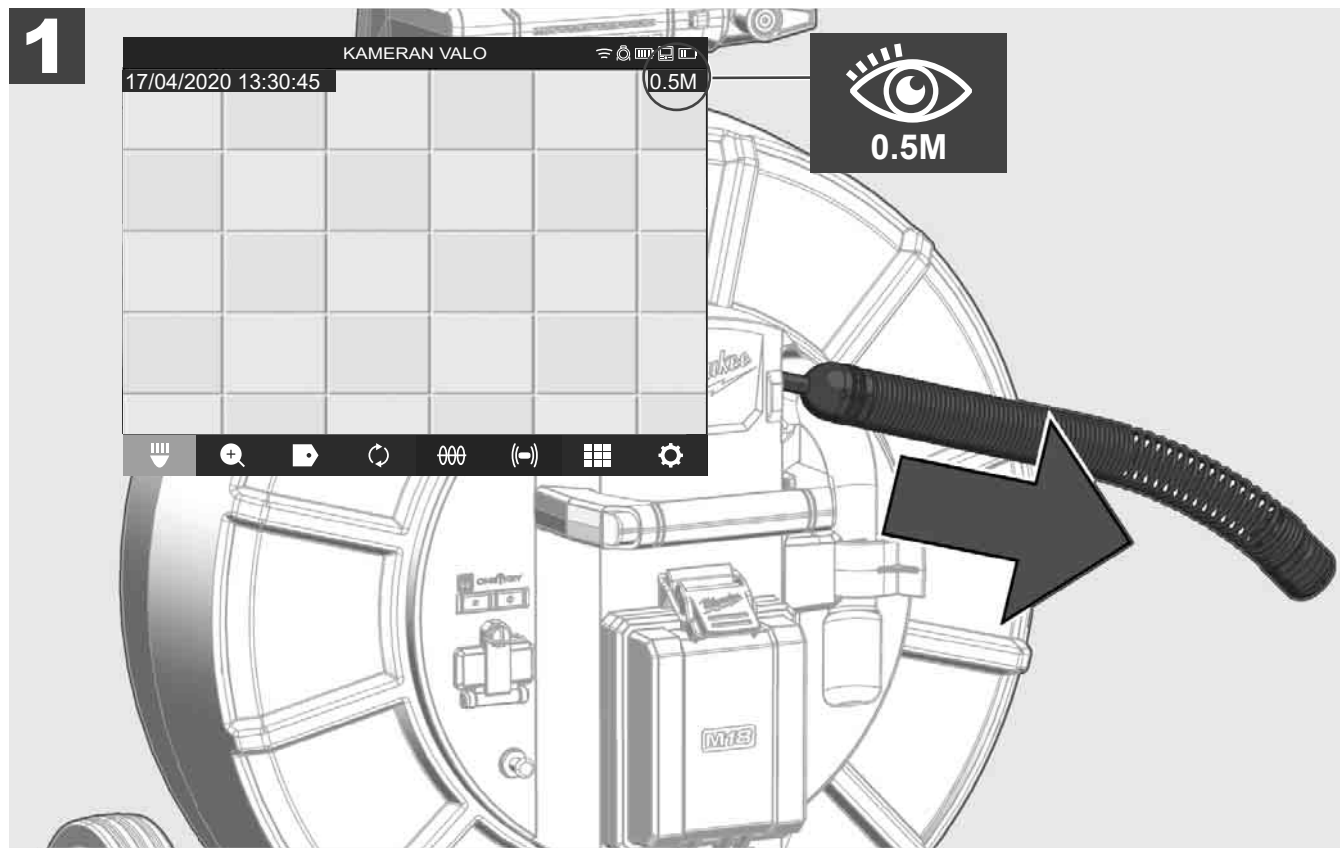


## 2.10 Pituuslaskurin nollaaminen



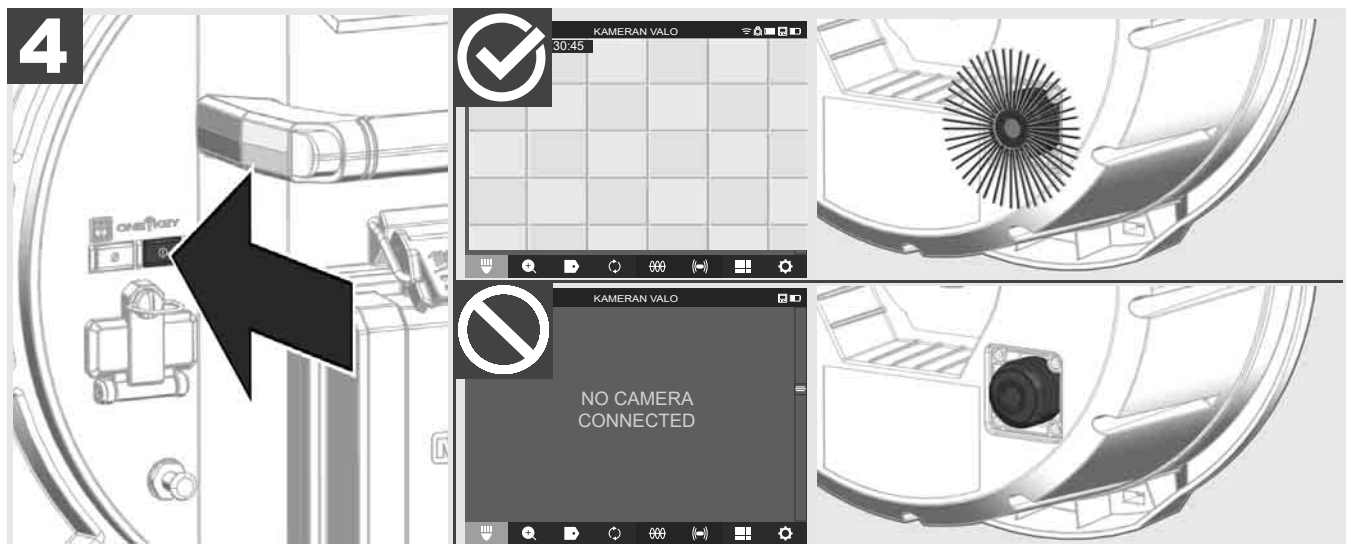
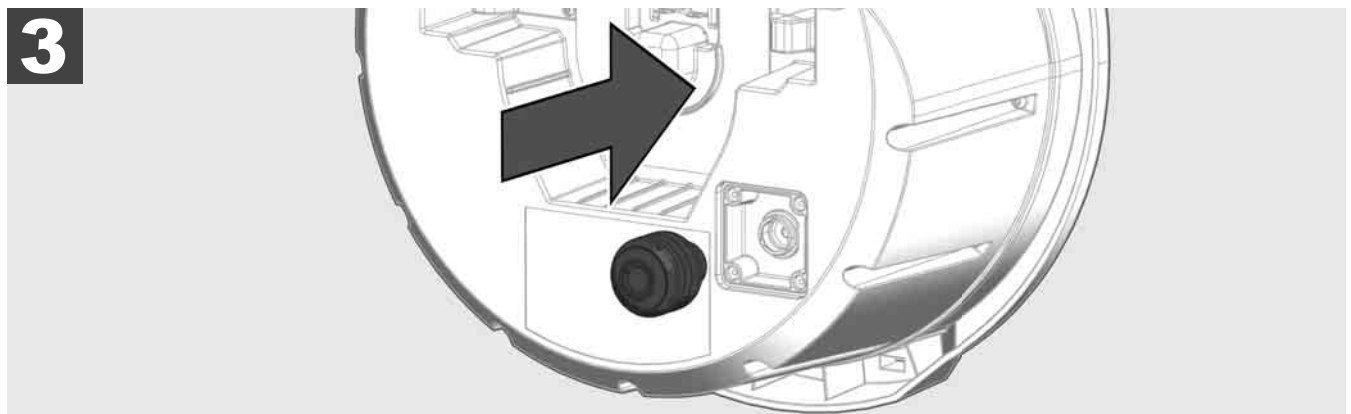
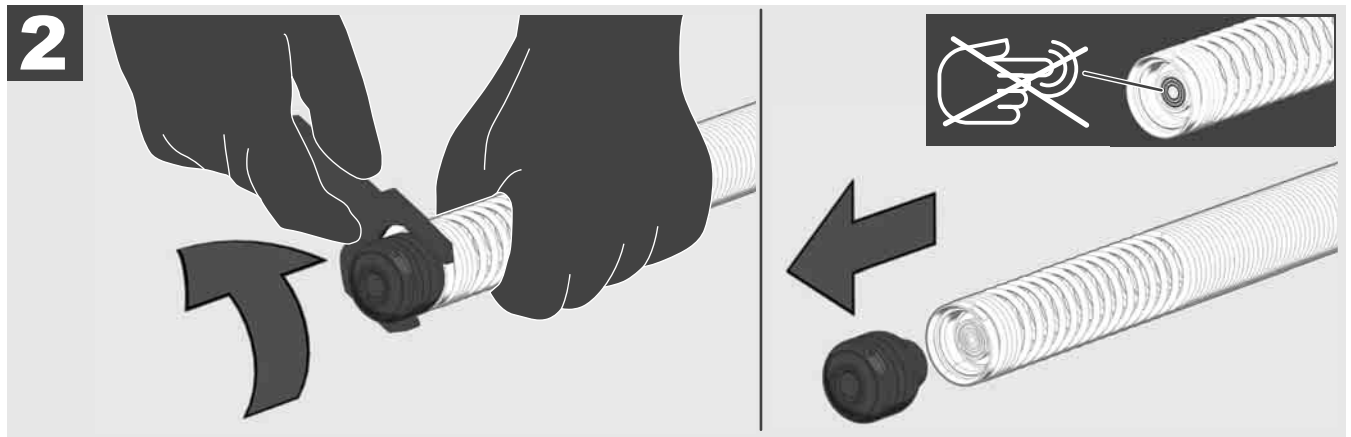
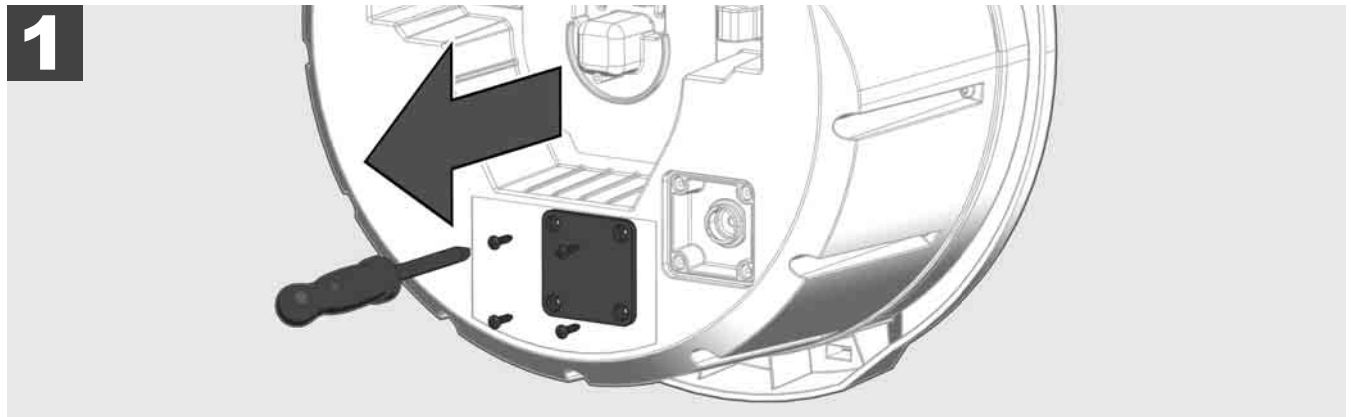
Kun PUTKIEN TARKASTUSKELA rullataan auki, aukirullatun kaapelin pituus näytetään langattoman monitorin M18 SIM tilarivillä.

Nollaa näyttö painamalla painiketta .



## 2.11 Kameran testiliitin

Jos kamerapäässä esiintyy ongelmia, kameran voi tarkastaa testiliittimellä.



## 2.12 Sisäisen aseman ja USB-tikun alustaminen

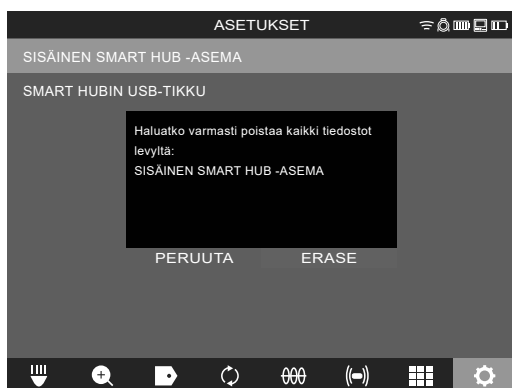
Tällä toiminnolla voit alustaa Smart Hubin sisäisen 500 gigatavun aseman tai USB-tikun.

USB-tikut on alustettava FAT32-formaatissa.

1. Valitse **ASETUKSET**  → **ALUSTA MUISTI**
2. Valitse muisti.



3. Vahvista näytössä oleva ilmoitus.



Valittu asema alustetaan ja järjestelmä palaa takaisin valikkoon **ASETUKSET**.

## 2.13 Tehdasasetukset

Tehdasasetustoiminnon valinta asettaa Smart Hub M18 SISH -laitteen takaisin tehtaalla asetettuihin arvoihin.

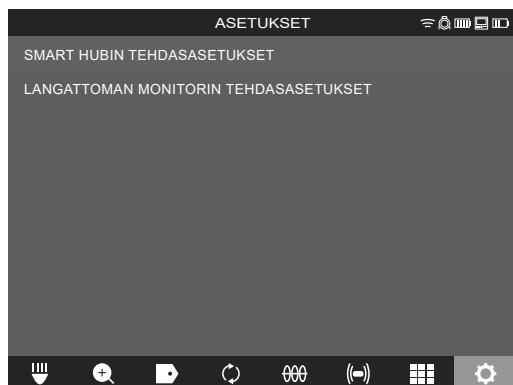
Seuraavat Smart Hub M18 SISH -laitteen asetukset nollataan:

- MERKINNÄT poistetaan.
- VIDEO- ja KUVA-asetukset nollataan 1080 P-laitteessa.
- YRITYKSEN NIMI poistetaan.
- SONDITAAJUUS palautetaan tehdasasetuksiin.
- KAAPELIN SEURANTA palautetaan tehdasasetuksiin.
- NÄYTTÖASETUKSET palautetaan tehdasasetuksiin: värisävy, kirkkaus, kontrasti, kylläisyys.
- MITTAYKSIKÖT

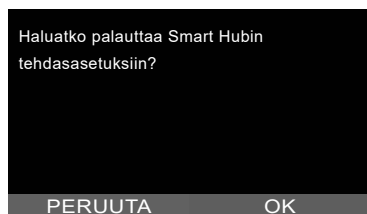
1. Valitse **ASETUKSET**  → **TEHDASASETUKSET**



2. Valitse **ASETUKSET** Smart Hub M18 SISH.



3. Lue nollausilmoitus ja vahvista se painamalla OK.



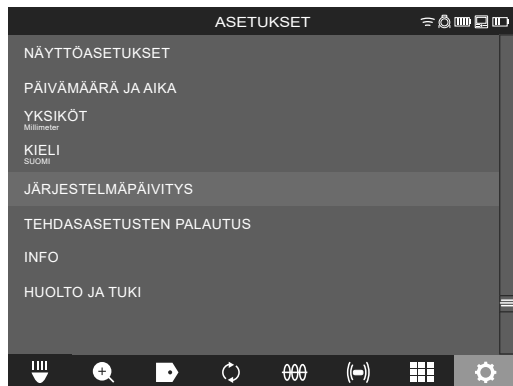
Palauttaminen tehdasasetuksiin on päätetty, ja järjestelmä palaa alavalikkoon **TEHDASASETUKSET**.

## 2.14 Järjestelmäpäivitys

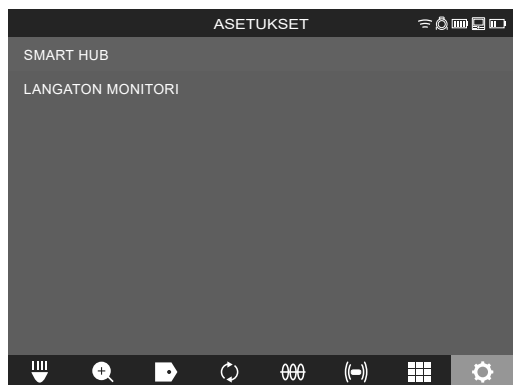
Avaan ennen järjestelmäpäivitystä valikko **ASETUKSET** → **INFO** ja merkitse muistiin käytössä oleva laiteohjelmistoversio.

Laiteohjelmistopäivitykset voidaan tehdä joko langattomalla monitorilla M18 SIM tai tabletilla ja Milwaukee®-putkentarkastussovelluksella.

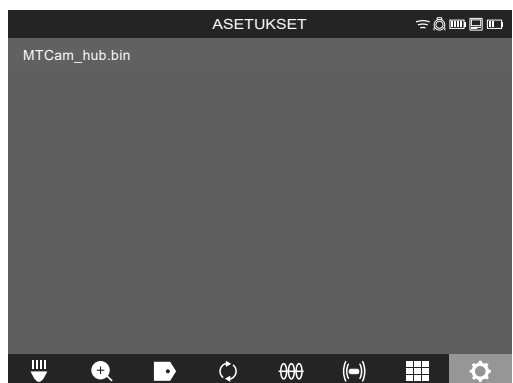
1. Käynnistä M18 SISH ja langaton monitori M18SIM tai tabletti ja Milwaukee®-putkentarkastussovellus.
2. Varmista, että langaton monitori M18 SIM tai tabletti on yhteydessä Smart Hub M18 SISH -laitteeseen WLAN-verkon välityksellä. Jos WLAN-verkkoyhteyttä ei ole, luo se ensin.
3. Aseta ohjelmistopäivityksen sisältävä USB-tikku Smart Hub M18 SISH -laitteen USB-A-porttiin.
4. Valitse **ASETUKSET** → **JÄRJESTELMÄPÄIVITYS**



5. Valitse Smart Hub M18 SISH.



6. Päivityksen tiedostonimi näkyy näytössä. Valitse **TIEDOSTONIMI** ja käynnistä päivitys.

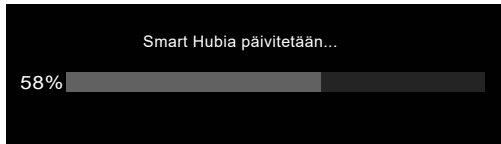


7. Lue varoitusilmoitus ja vahvista se painamalla OK.

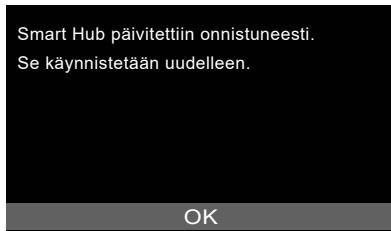




8. Päivityksen eteneminen näytetään palkissa.



9. Päivityksen jälkeen näytetään ilmoitus, joka on vahvistettava. Valitse OK ja käynnistä järjestelmä uudelleen.



10. Valitse **ASETUKSET** → **INFO** ja tarkista, onko laiteohjelmistoversio päivitetty.

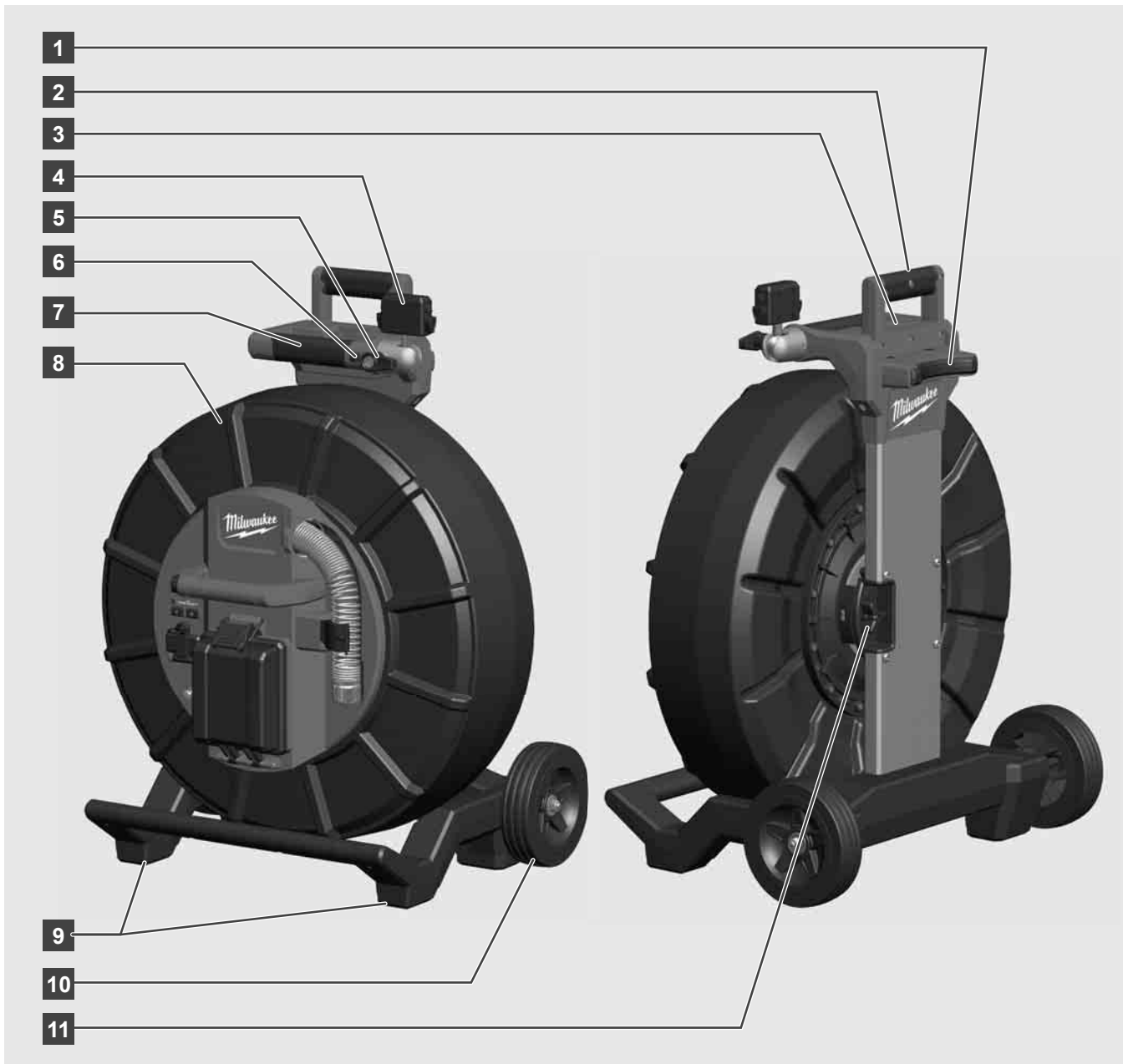
## 3 PUTKIEN TARKASTUSKELAT

### 3.1 Putkien tarkastuskelan M18 SIC36 yleisnäkymä



- 1 Säätöjalka vaakasuuntaista käyttöä varten
- 2 Langaton monitori M18 SIM – tabletin pidike ja liitin
- 3 Langaton monitorit M18 SIM – pyörimisen esto
- 4 Langaton monitori M18 SIM – kallistumisen esto
- 5 Kahva
- 6 Kaapelikela ja työntökaapeli
- 7 Säätöjalka pystysuuntaiseen käyttöön
- 8 Kaapelikelajarru
- 9 Säätöjalka vaakasuuntaista käyttöä varten
- 10 Kantolaite

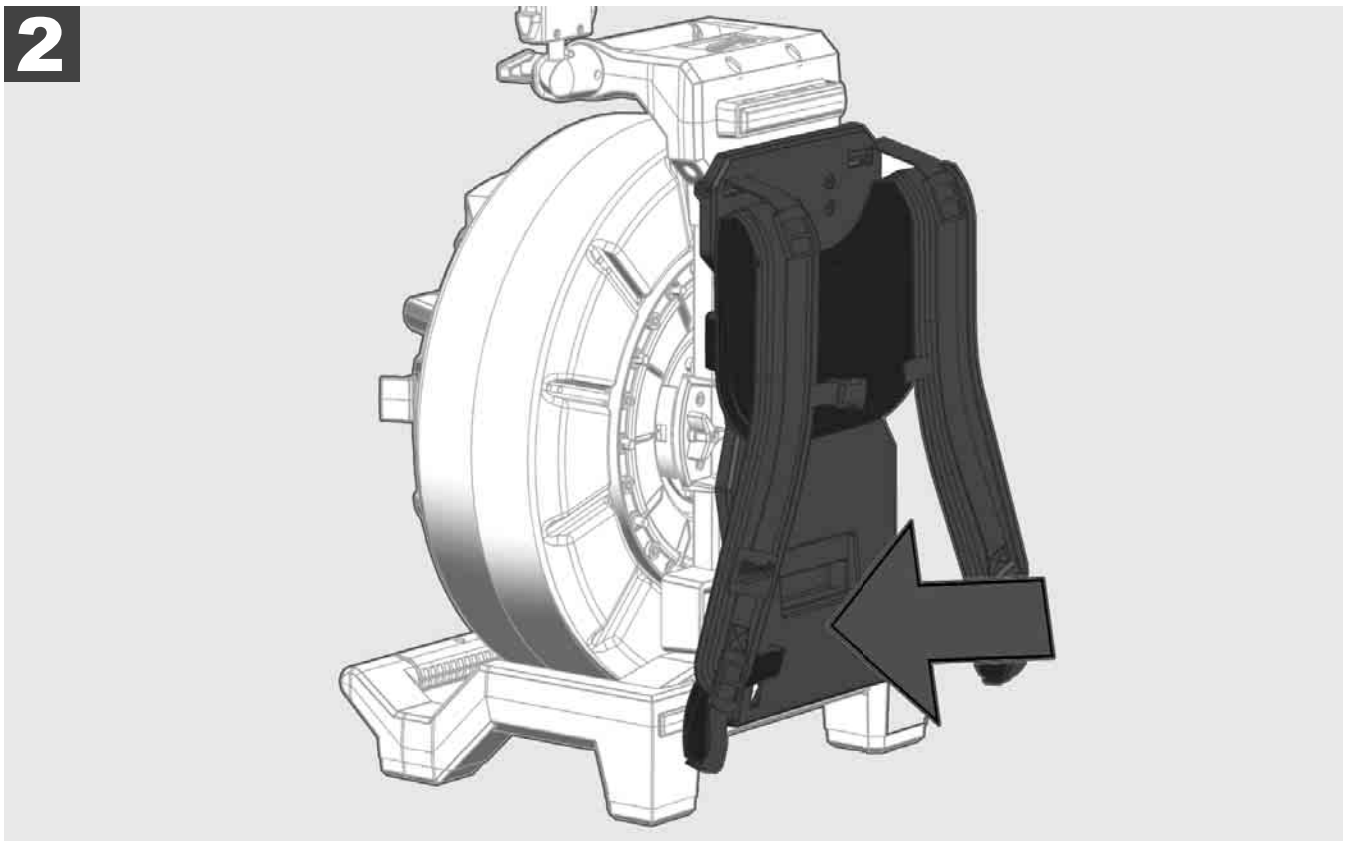
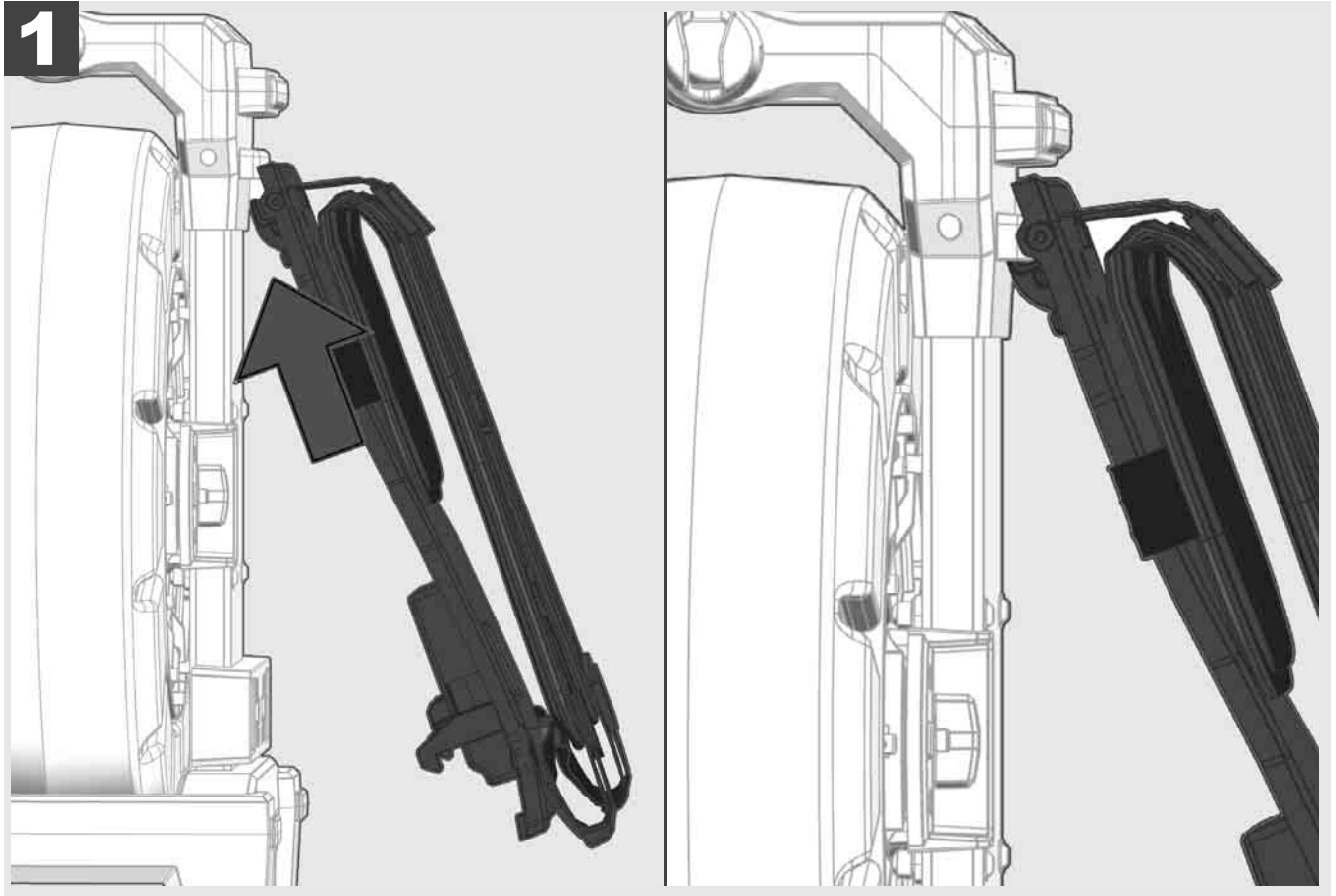
### 3.2 Putkien tarkastuskelan M18 SIC60 yleiskuva



- 1 Säätöjalka vaakasuuntaista käyttöä varten
- 2 Ulosvedettävä kahva (sisääntyönnetyissä asennossa)
- 3 Ulosvedettävän kahvan sulku- ja avauspainike
- 4 Langaton monitori M18 SIM – pidike / tabletin pidike ja liitin
- 5 Langaton monitori M18 SIM – pyörimisen esto
- 6 Langaton monitori M18 SIM – kallistumisen esto
- 7 Kahva
- 8 Kaapelikela ja työntökaapeli
- 9 Säätöjalka pystysuuntaiseen käyttöön
- 10 Pyörät
- 11 Kaapelikelajarru

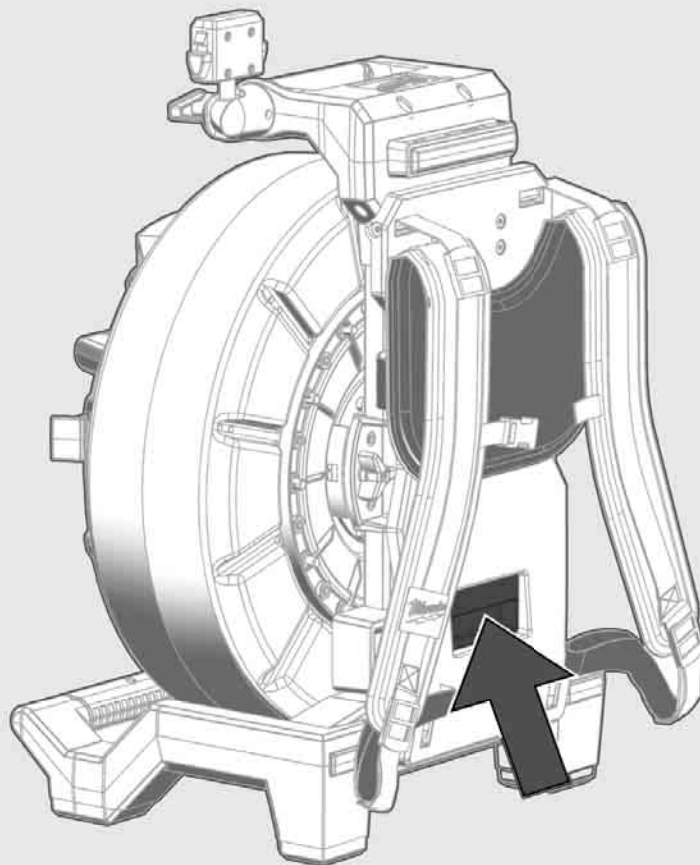
### 3.3 Kantolaitteen asentaminen

PUTKIEN TARKASTUSLAITTEESSA M18 SIC36 on kantolaite, jolla kelaa voi kantaa selässä kuin reppua. Sillä voi kuljettaa pieniä keloja käyttöpaikkaan mukavasti, mikä on käytännöllistä etenkin portaita noustaessa tai tikkaita käytettäessä.

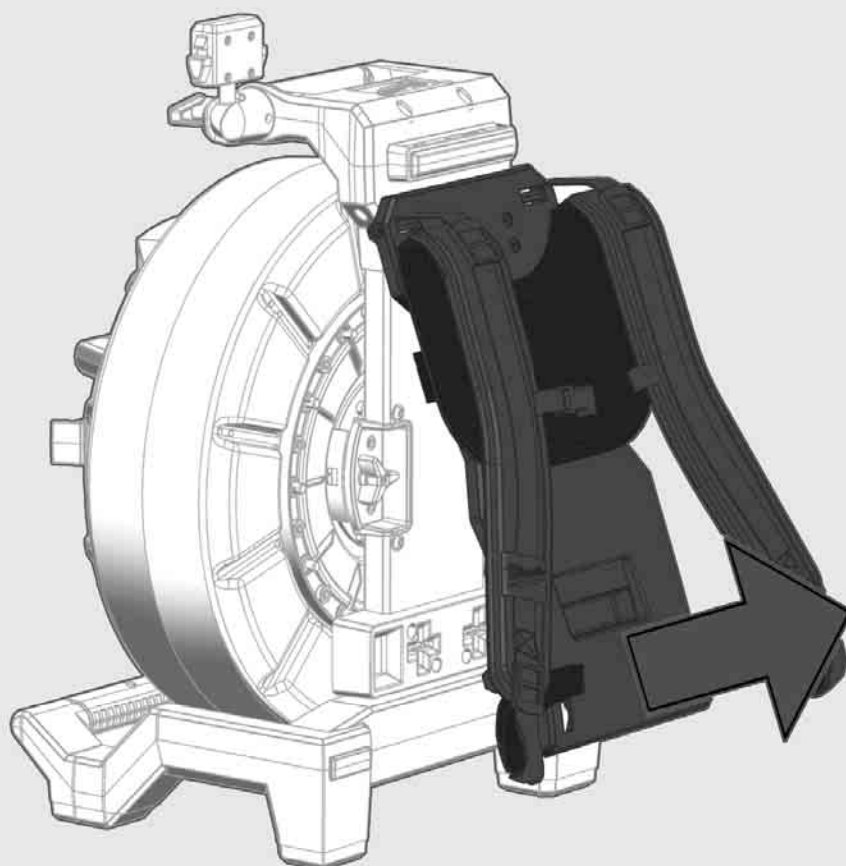


Ripusta kantolaite ylös ja paina nyrkillä alaosaa, kunnes kantolaite napsahtaa paikoilleen. Vedä kantolaitetta lyhyesti ja varmista, että se on napsahtanut paikoilleen.

**1**

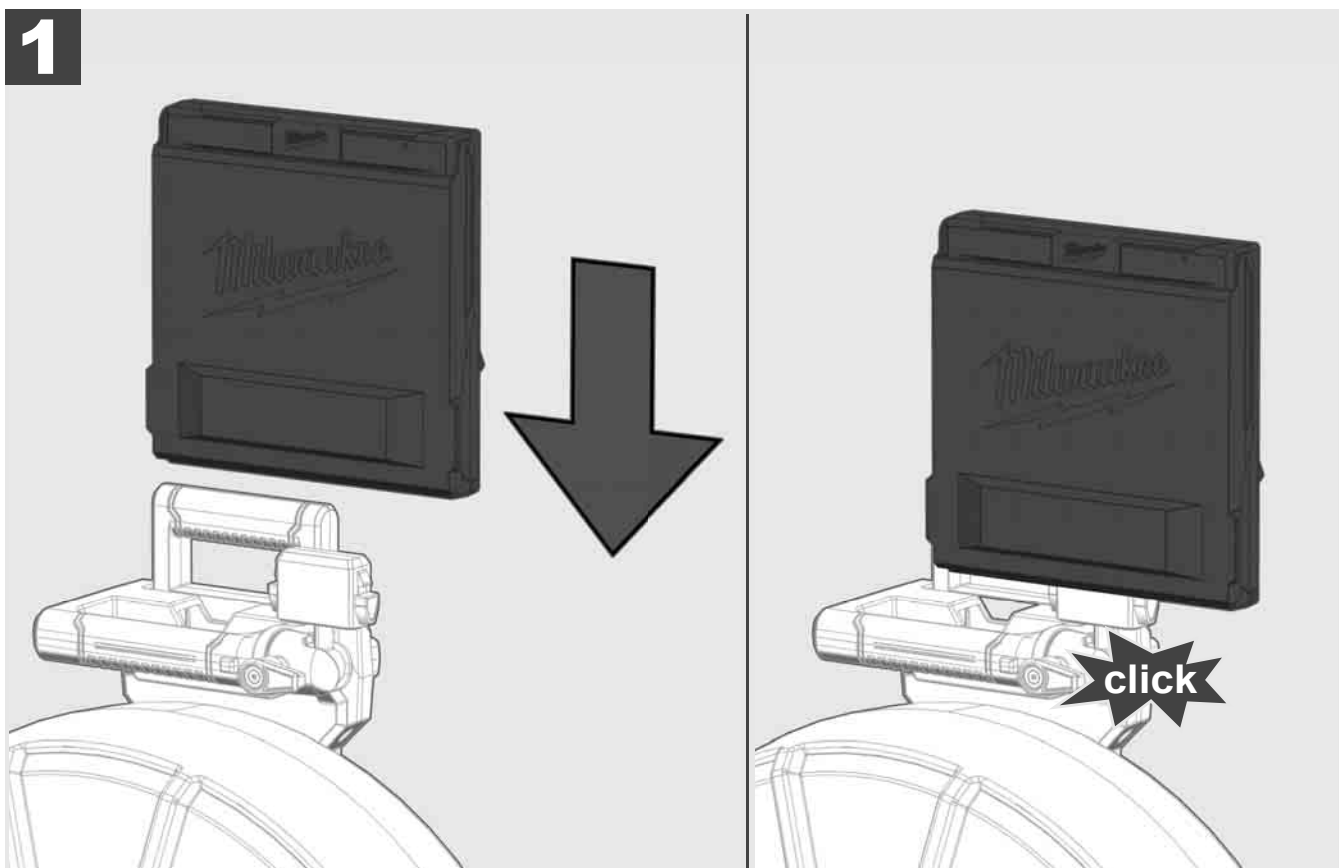


**2**

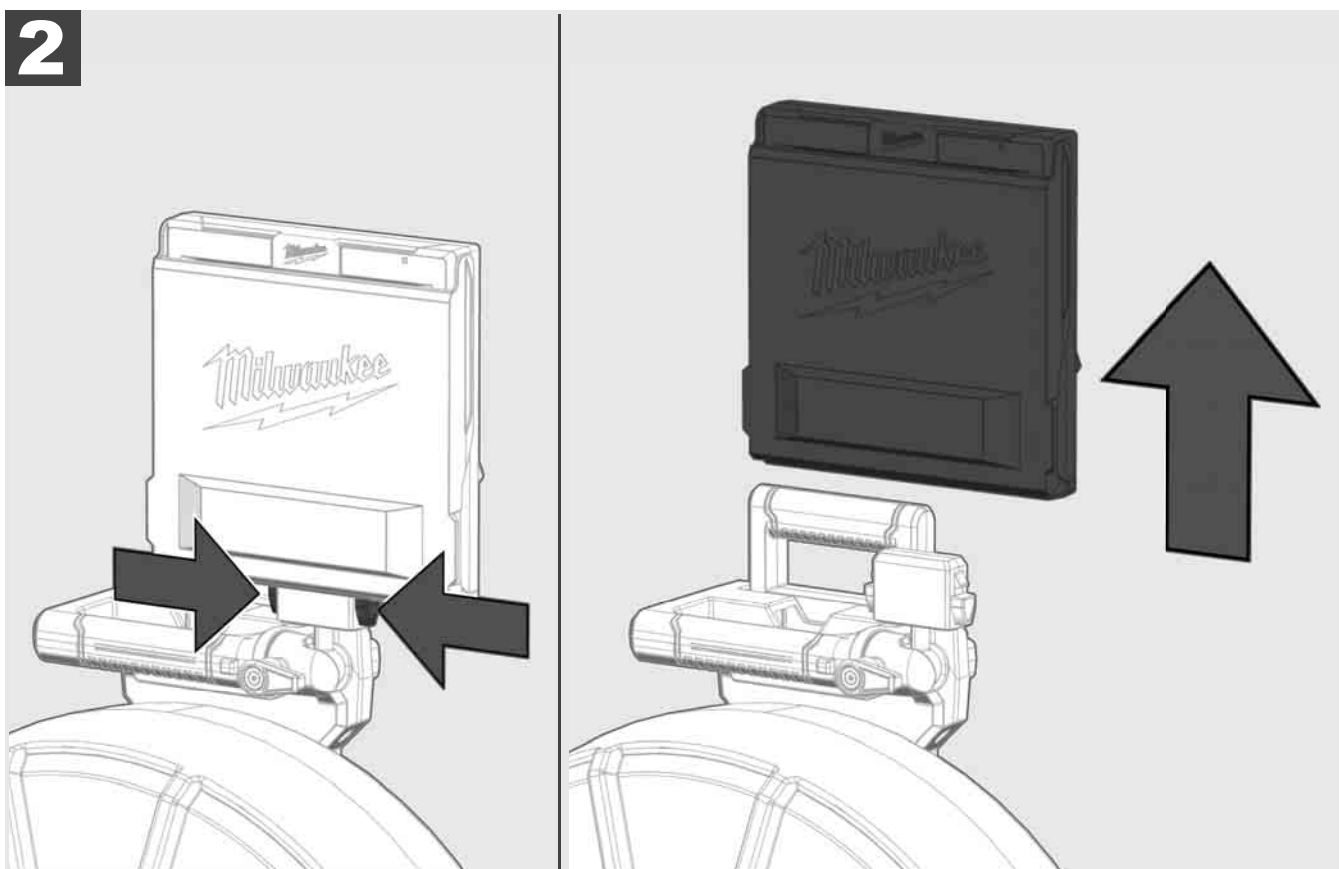


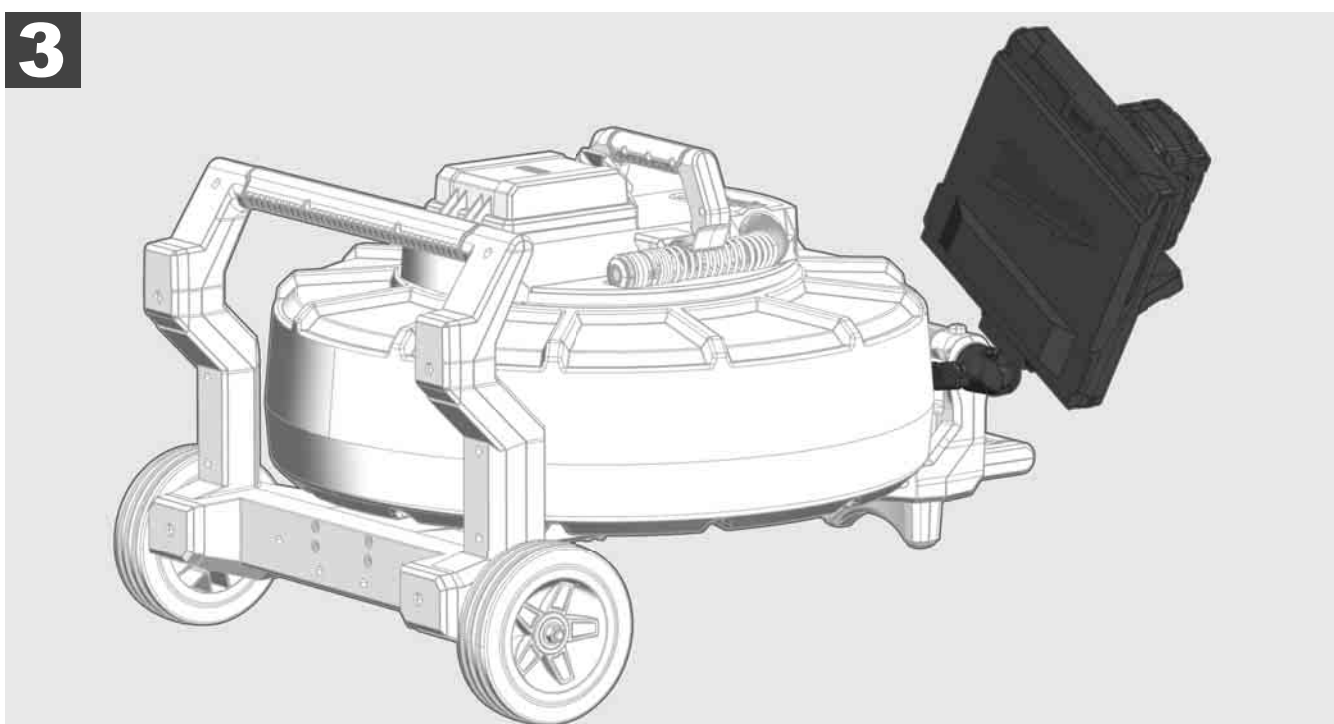
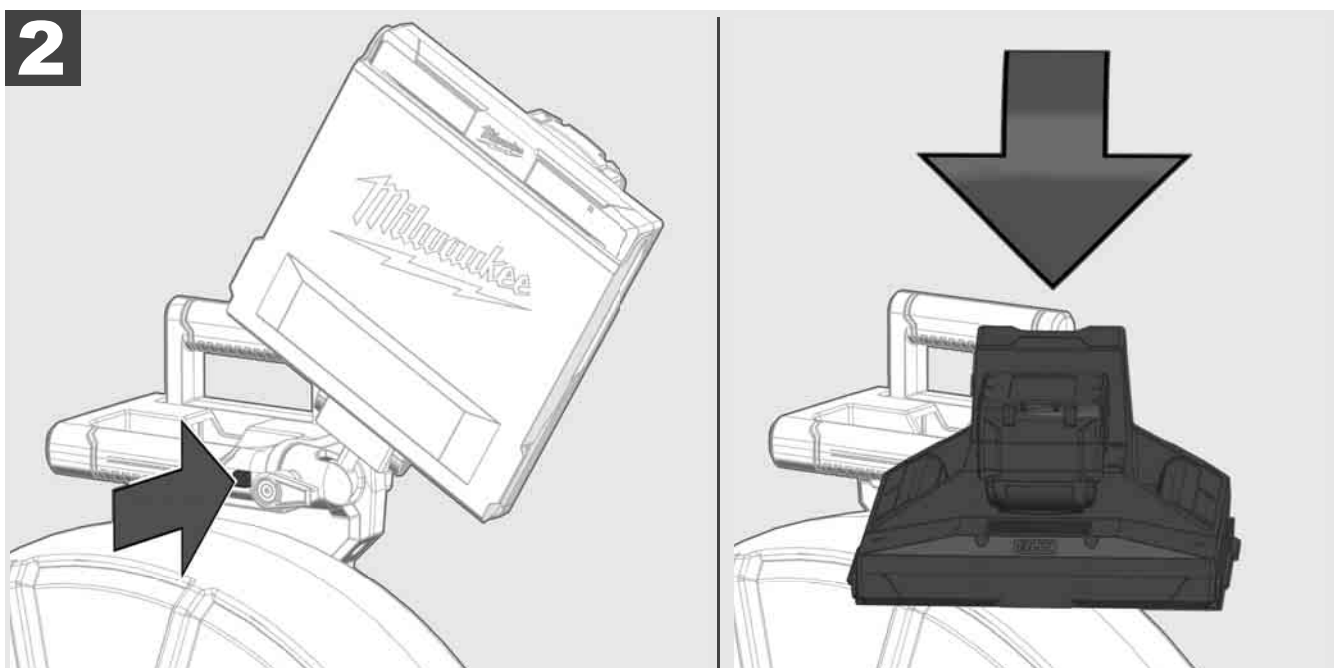
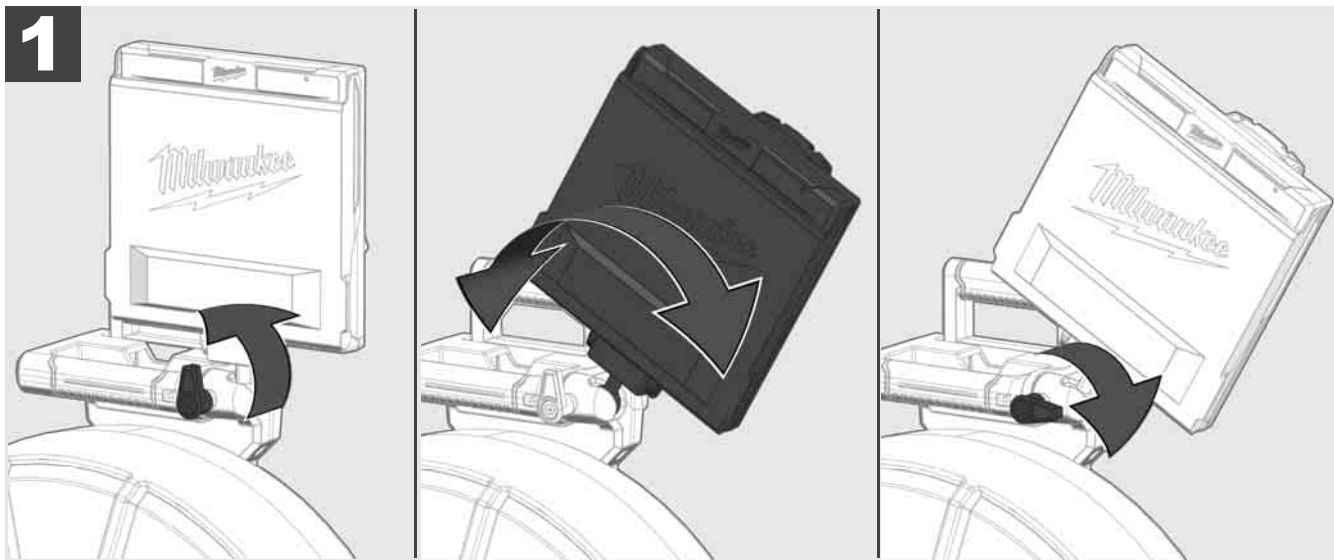


**1**



**2**





### 3.7 Putkien tarkastuskelan käyttö



Tarkasta, onko työntökaapelissa jälkiä kulumisesta – tarkasta kiinnirullauksessa, onko kaapelissa viiltoja, taitekohtia ja hiontakulumista. Jos kuori on kulunut niin paljon, että keltainen tai valkoinen kevlar-punos on näkyvässä, työntökaapeli on vaihdettava. Kun käytetään työntökaapelia, jonka kuori on vahingoittunut, vettä ja kosteutta voi päästä sisään, mikä vaikuttaa kamerakuvien laatuun tai aiheuttaa kameran toimintahäiriön.

Seuraavassa kuvassa on esimerkkejä erittäin vahingoittuneista kuorista. Tällaiset työntökaapelit on vaihdettava välittömästi.

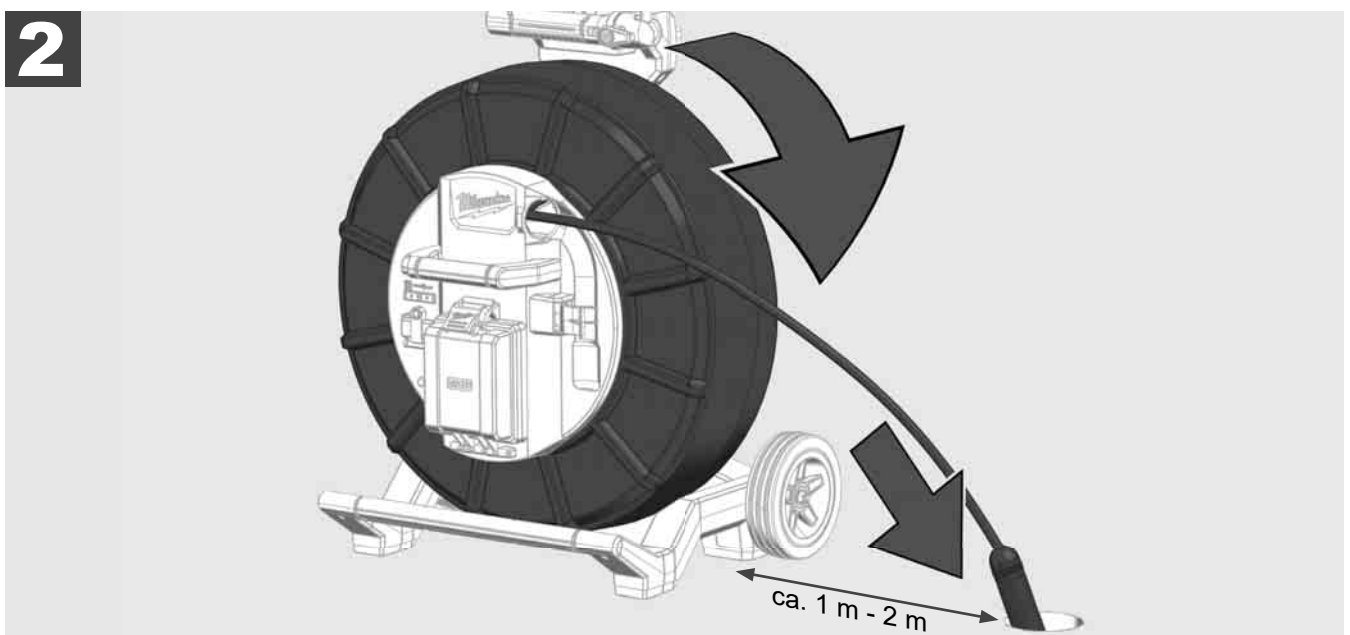
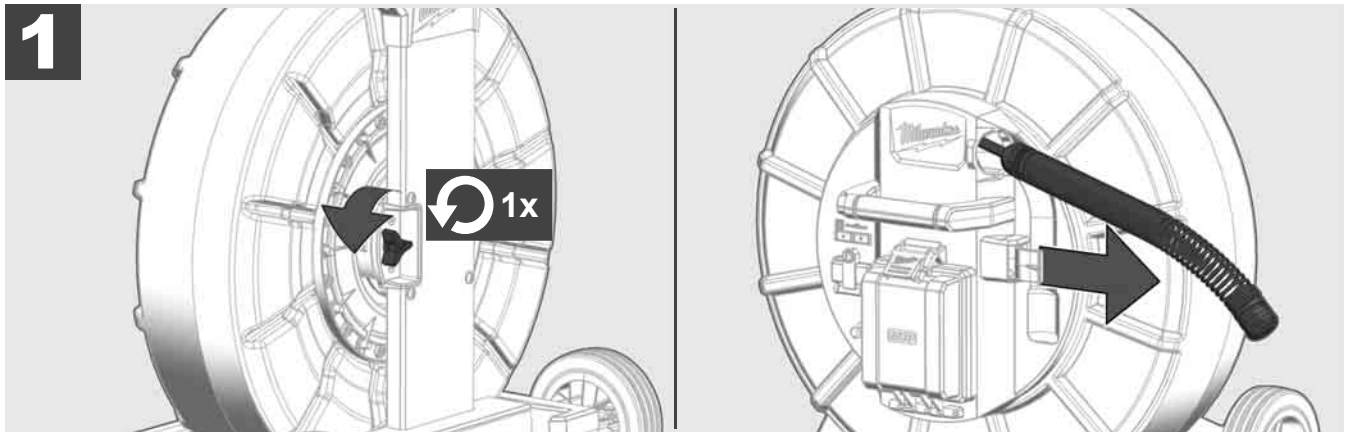


Pidä työntökaapeli ja jousitettu moduuli aina puhtaina – puhdista kaapeli kiinnirullattaessa aina puhtaalla, kuivalla liinalla. Poista työpäivän lopussa lika varovasti kamerapäästä ja jousesta juoksevalla vedellä. Ravistele kuivaksi tai puhalla ylimääräinen vesi pois ilmalla pienellä paineella ja kuivaa osat lopuksi. Kamerapää, työntökaapeli ja liitinosat altistuvat jokapäiväisessä käytössä syövyttävälle kemikaaleille. Järjestelmän huolellinen puhdistus pidentää näiden osien käyttöikää.

Käsittele työntökaapelia huolellisesti – älä vedä työntökaapelia lukitusta kelasta. Muuten kaapeli litistyy kelassa ja kuluu liikaa. Kun työntökaapeli työnnetään takaisin lukittuun kelaan, kela voi kaatua tai kaapeli taittua.

Aseta kela noin 1–2 metrin päähän sisäänmenokohdasta tasaiselle pinnalle. Näin kaapelin käsittelylle jää riittävästi tilaa, ilman että löysää kaapelia täytyy vetää maata pitkin. Hidasta työntökaapelin liikettä tarvittaessa kitkajarrulla.

Jos kelaä käytetään vaakatasossa, jalkojen välinen pinta suurenee. Sen ansiosta kela pysyy paikoillaan vakaammin epätasaisella alustalla ja korkeus pienenee, mikä on eduksi ahtaissa tiloissa.





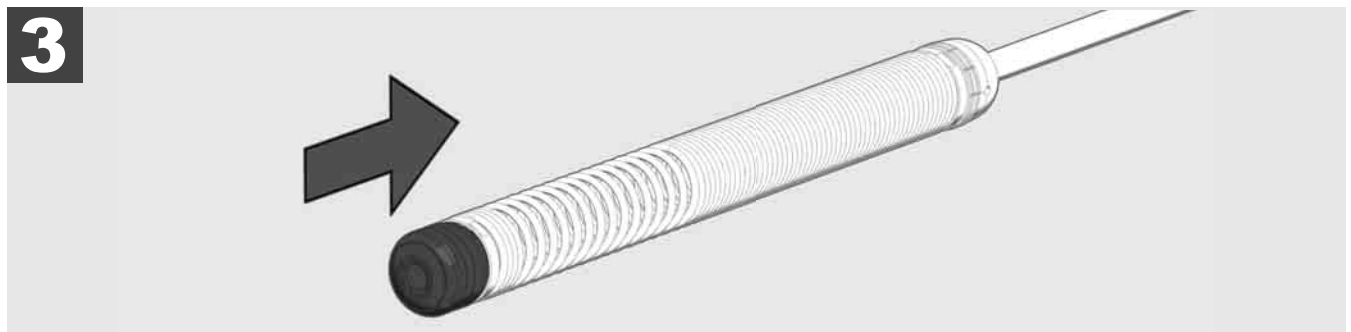
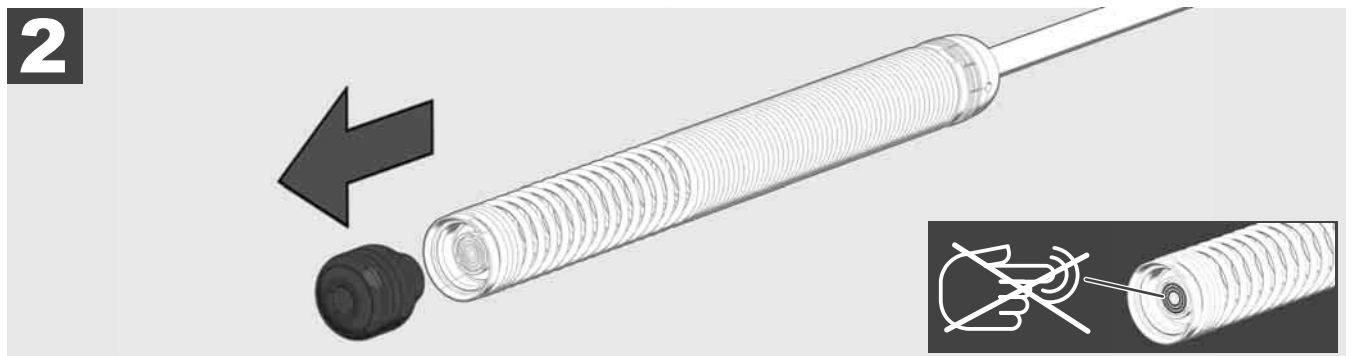
### 3.8 Kamerapäämoduuli



Mikäli mahdollista, älä koske paljain käsin vihreään piirilevyyn tai kultaisiin koskettimiin jousitetussa moduulissa äläkä kamerapäähän. Muuten sormista siirtyy rasvaa näihin komponentteihin, mikä voi aiheuttaa ennenaikaista korroosiota. Käytä mahdollisuuksien mukaan puhtaita ja kuivia kumikäsineitä.

Pyyhi kamerapää ennen irrottamista kuivana ja poista lika, joka voisi joutua kameran liittimeen.

Älä kiristä liian tiukkaan äläkä käytä liiallista voimaa!



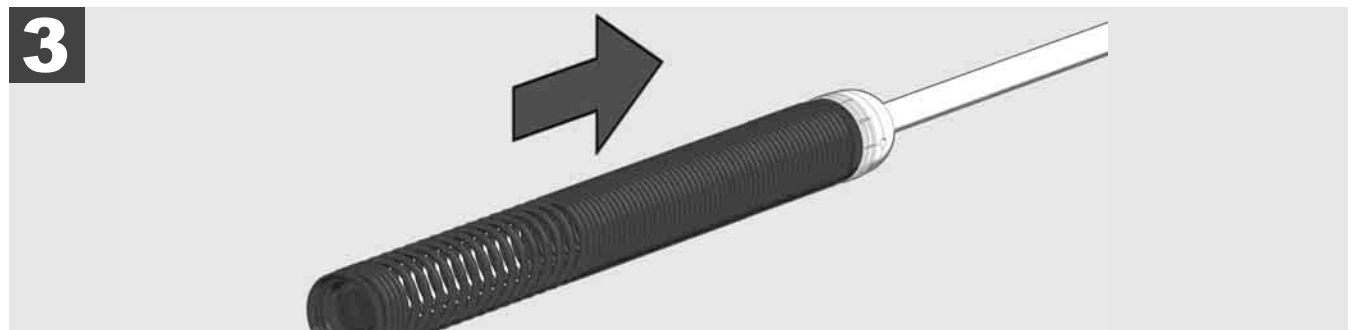
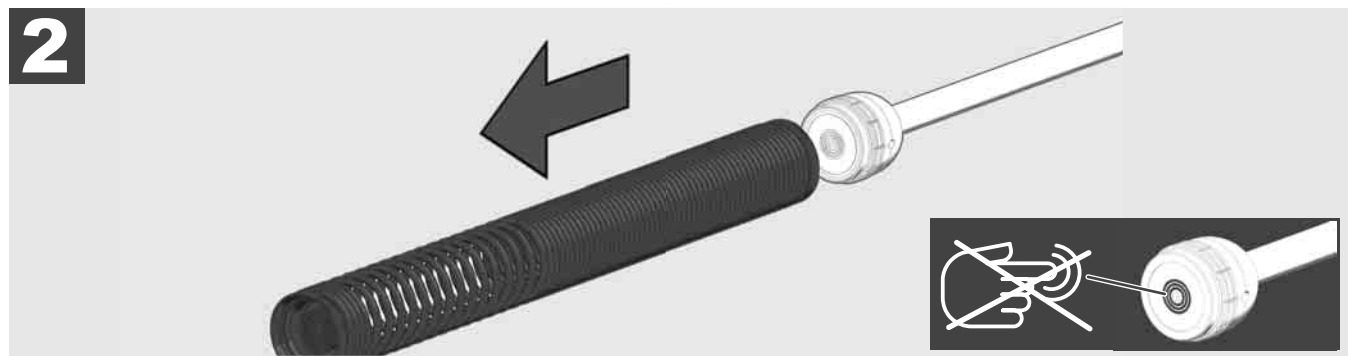
### 3.9 Jousitettu moduuli



Mikäli mahdollista, älä koske paljain käsin vihreään piirilevyyn tai kultaisiin koskettimiin jousitetussa moduulissa äläkä kamerapäähän. Muuten sormista siirtyy rasvaa näihin komponentteihin, mikä voi aiheuttaa ennenaikaista korroosiota. Käytä mahdollisuuksien mukaan puhtaita ja kuivia kumikäsineitä.

Pyyhi kamerapää ennen irrottamista kuivana ja poista lika, joka voisi joutua kameras liittimeen.

Älä kiristä liian tiukkaan äläkä käytä liiallista voimaa!



### 3.10 Kameran suojus

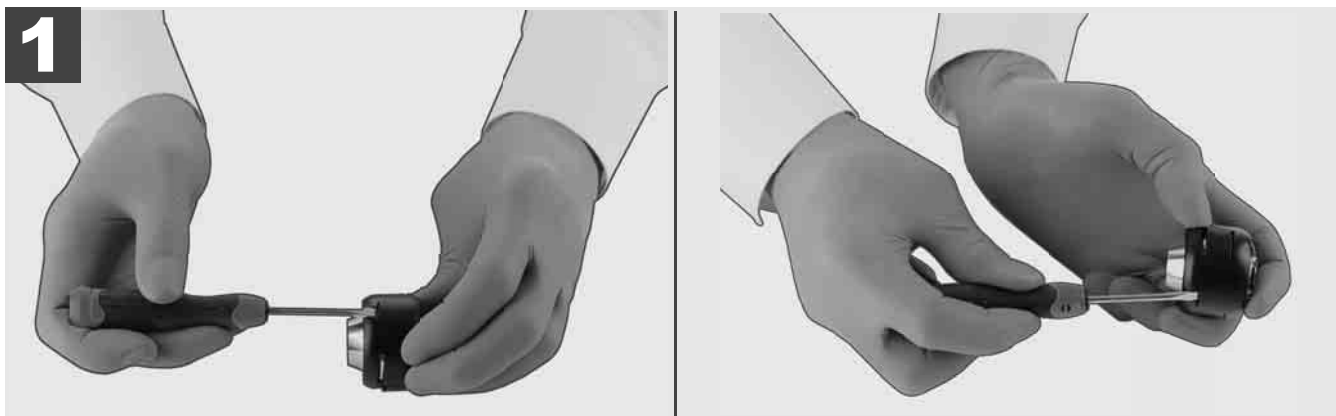


Suojukset – sopivat halkaisijoiltaan 25 mm:n tai 34 mm:n kamerapäihin. Nämä suojukset toimitetaan kaikkien PUTKIEN TARKASTUSKELOJEN tai varakamerapäiden mukana.

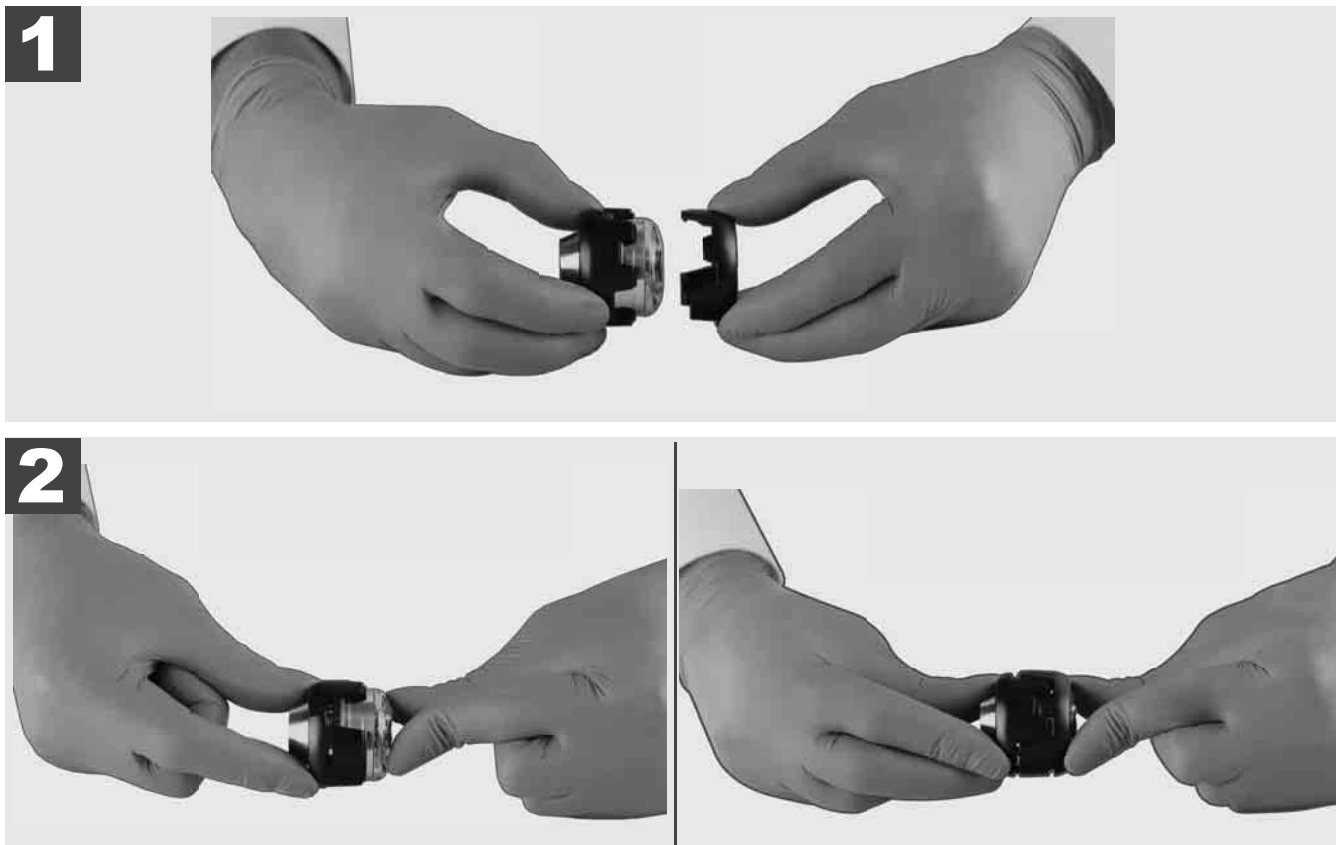
Ohjaimet – ne asetetaan jousitettuun moduulin, jotta kamerapää kulkee alustaa itkin eikä joudu suoraan kosketukseen putken kanssa.



#### Suojuksen poistaminen



#### Suojuksen asentaminen



### 3.11 Kameraohjaimet



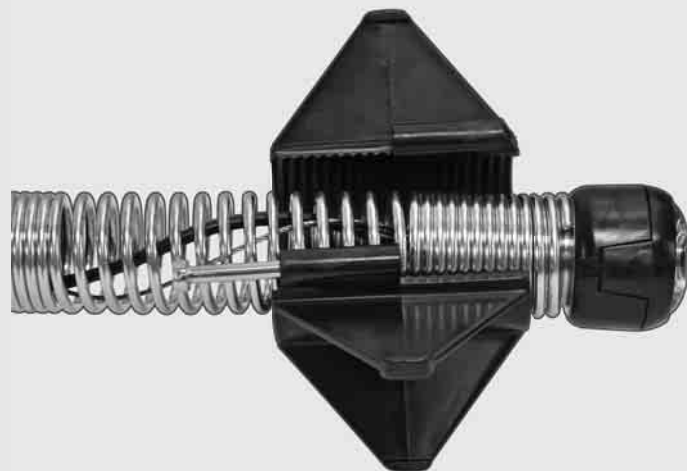
25 mm tai 34 mm leveille kamerapäille on kummallekin saatavilla kaksi ohjainta: pieni 75 mm:n malli ja keskikokoinen 100 mm:n malli.

Kameraohjain 25 mm

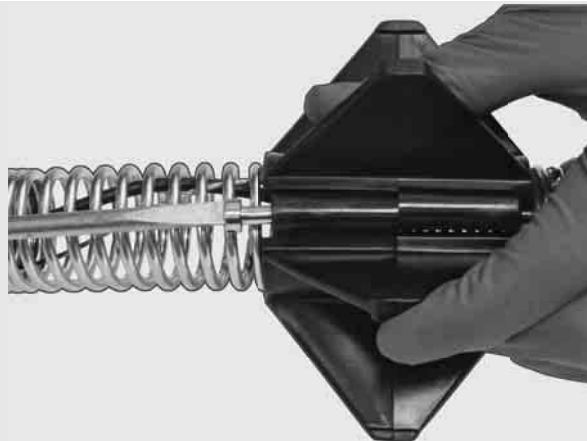
Kameraohjain 34 mm



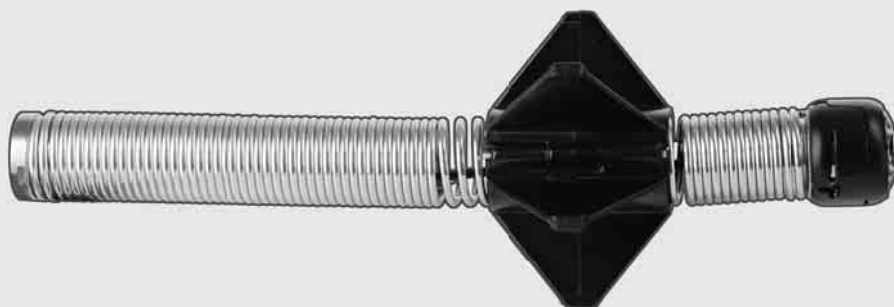
**1**



**2**



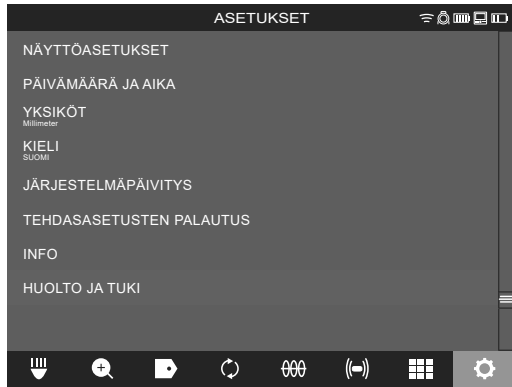
**3**



### 3.12 Huolto ja tuki


Jos PUTKIEN TARKASTUSJÄRJESTELMÄ on korjattava, pääset kohdasta HUOLTO JA TUKI Milwaukee-työkalujen huoltosivulle, jolla on kaikki tärkeät puhelinnumerot.

Valitse **ASETUKSET**  → **HUOLTO JA TUKI**




**Milwaukee**  
Nothing but **HEAVY DUTY**®

click →



**M18 SIC36**  
**M18 SIC60**  
**M18 SISH**

click →



**M18 SIM**

click

1	Γενικές πληροφορίες .....	2
1.1	Ειδικές προδιαγραφές ασφαλείας για συστήματα επιθεώρησης σωλήνων.....	2
1.2	Περαιτέρω οδηγίες ασφαλείας και χρήσεως .....	2
1.3	Τεχνικά στοιχεία.....	3
1.4	Προβλεπόμενη χρήση.....	3
1.5	Απαιτήσεις ραδιοσυχνοτήτων βάσει των προδιαγραφών που ισχύουν για εγκαταστάσεις στις ευρωπαϊκές χώρες .....	4
1.6	Δήλωση συμμορφωσης ΕΚ.....	4
1.7	ONE-KEY™ .....	4
1.8	Μπαταρίες.....	4
1.9	Μεταφορά των μπαταριών ιόντων λιθίου .....	4
1.10	Συντήρηση .....	5
1.11	Συμβολα.....	5
2	Smart Hub M18 SISH .....	6
2.1	Επισκόπηση Smart Hub M18 SISH .....	6
2.2	Τοποθέτηση και αφαίρεση μπαταρίας .....	7
2.3	Έλεγχος κατάστασης φόρτισης μπαταρίας .....	8
2.4	Τοποθέτηση Smart Hub M18 SISH .....	9
2.5	Αφαίρεση Smart Hub M18 SISH .....	10
2.6	Διακόπτης ON/OFF.....	11
2.7	Σύνδεση οθόνης.....	12
2.8	Θύρες USB.....	13
2.9	Ράβδος γείωσης .....	14
2.10	Επαναφορά μετρητή μήκους .....	15
2.11	Δοκιμαστική σύνδεση κάμερας .....	16
2.12	Διαμόρφωση εσωτερικής μονάδας δίσκου και μονάδας USB .....	17
2.13	Εργοστασιακές ρυθμίσεις.....	18
2.14	Ενημέρωση συστήματος.....	19
3	ΤΥΜΠΑΝΑ ΕΠΙΘΕΩΡΗΣΗΣ ΣΩΛΗΝΩΝ .....	21
3.1	Επισκόπηση τυμπάνου επιθεώρησης σωλήνων M18 SIC36.....	21
3.2	Επισκόπηση τυμπάνου επιθεώρησης σωλήνων M18 SIC60.....	22
3.3	Εγκατάσταση διάταξης μεταφοράς .....	23
3.4	Αφαίρεση διάταξης μεταφοράς .....	24
3.5	Εγκατάσταση ασύρματης οθόνης M18 SIM .....	25
3.6	Ρύθμιση ασύρματης οθόνης M18 SIM .....	26
3.7	Χρήση του τυμπάνου επιθεώρησης σωλήνων .....	27
3.8	Διάταξη κεφαλής κάμερας .....	28
3.9	Συγκρότημα ελατηρίου .....	29
3.10	Κάλυμμα προστασίας κάμερας .....	30
3.11	Οδηγοί κάμερας .....	31
3.12	Σέρβις και Υποστήριξη .....	32

## 1.1 Ειδικές προδιαγραφές ασφαλείας για συστήματα επιθεώρησης σωλήνων

Σε εργασίες σε σωλήνες προσέχετε, ώστε αυτοί να μην βρίσκονται υπό ηλεκτρική τάση ή να είναι ηλεκτρικά φορτισμένοι. Οι σωλήνες δεν επιτρέπεται να περιέχουν υγρά. Η κάμερα και η συσκευή δεν επιτρέπεται να έρθουν σε επαφή με υγρά.

Η κάμερα και το καλώδιο δεν επιτρέπεται να έρθουν σε επαφή με λάδια, αέριο ή άλλα διαβρωτικά υλικά.

Να ελέγχετε πάντα πριν από κάθε εργασία το χώρο εργασίας, για να μειώνετε τον κίνδυνο έκρηξης, ηλεκτροπληξίας και υλικών ζημιών. Το καλώδιο δεν επιτρέπεται να έρχεται σε επαφή με ηλεκτρικά εξαρτήματα, χημικές ουσίες ή κινούμενα εξαρτήματα.

Για να ελαττώσετε τον κίνδυνο ζημιάς τής συσκευής, μην ασκείτε υπερβολική δύναμη και μη λυγίζετε το καλώδιο. Μη χρησιμοποιείτε την κάμερα επιθεωρήσεως και το καλώδιο σε τμήματα, στα οποία θα μπορούσαν να έρθουν σε επαφή με καυστικές ή λιπαρές ουσίες.

Μη χρησιμοποιείτε το καλώδιο για να παραμερίζετε εμφράξεις ή εμπόδια. Αυτό δεν είναι καθαριστής σωλήνων!

Σε περίπτωση που θα μπορούσαν να περιέχονται χημικές ουσίες, βακτήρια, μολυσματικοί παράγοντες ή άλλες τοξικές ουσίες στον προς επιθεώρηση σωλήνα αποχέυσης, τότε να χρησιμοποιείτε τα γάντια προστασίας από λάτεξ ή τα ελαστικά γάντια που συνιστά ο κατασκευαστής, καθώς επίσης προστατευτικά γυαλιά, προστατευτικό κάλυμμα προσώπου, προστατευτικό ρουχισμό και μάσκα προστασίας της αναπνοής. Οι σωληναγωγοί πιθανόν να περιέχουν χημικές ουσίες, βακτήρια ή άλλες ουσίες που είναι τοξικές ή λοιμογόνες και θα μπορούσαν να προκαλέσουν εγκαύματα ή σοβαρούς τραυματισμούς.

Λαμβάνετε υπόψη σας τους υγειονομικούς κανόνες. Κατά τη διάρκεια της χρήσης του μηχανήματος μην τρώτε και μην καπνίζετε. Μετά την εργασία με το σύστημα επιθεώρησης σωλήνων ή τη χρήση τέτοιων μηχανημάτων πρέπει να πλένονται τα χέρια και τα λοιπά τμήματα του σώματος που έχουν έρθει σε επαφή με το περιεχόμενο του σωλήνα, με ζεστό νερό και σαπούνι. Έτσι αποτρέπονται οι κίνδυνοι για την υγεία που μπορεί να προκύψουν από την επαφή με τοξικές ή λοιμογόνες ουσίες.

Να ελέγχετε το καλώδιο πριν τη χρήση για ίχνη φθοράς και ζημιές. Να ανταλλάσσετε φθαρμένα ή καταστραμμένα καλώδια πριν τη χρήση της συσκευής.

**ΠΡΟΣΟΧΗ!** Κατά τη μεταφορά του συστήματος επιθεώρησης σωλήνα με τη βοήθεια της διάταξης μεταφοράς στην πλάτη, συνιστάται προσοχή. Θα μπορούσατε να χάσετε την ισορροπία σας.

Χρησιμοποιείτε τη συσκευή πάντα με ιδιαίτερη προσοχή. Δεν είναι δυνατή η πρόβλεψη όλων των επικίνδυνων καταστάσεων. Μην χρησιμοποιείτε αυτήν τη συσκευή, εάν δεν καταλαβαίνετε τις παρούσες οδηγίες ή νιώθετε κουρασμένοι από την εργασία. Για περισσότερες πληροφορίες ή δυνατότητες κατάρτισης απευθυνθείτε στη Milwaukee ή σε κάποιον εξειδικευμένο επαγγελματία.

Μην αφαιρείτε τις ετικέτες και τις πινακίδες τύπου. Αυτές οι πινακίδες περιέχουν σημαντικές πληροφορίες. Είναι αυτές οι ενδεικτικές πινακίδες δυσανάγνωστες ή απουσιάζουν, τότε να απευθύνεστε στο τμήμα εξυπηρέτησης πελατών τής MILWAUKEE για μια ανέξοδη αντικατάσταση αυτών.

Ορισμένες σκόνης που προκαλούνται από εργαλεία λείανσης, πριόνια και ηλεκτρικά δρόπανα ή από άλλες κατασκευαστικές εργασίες ενδέχεται να περιέχουν χημικές ουσίες που είναι καρκινογόνες, να προκαλούν γενετικές ανωμαλίες ή να ασκούν δυσμενή επίδραση στη γονιμότητα. Τέτοια παραδείγματα χημικών ουσιών είναι τα εξής:

- Μόλυβδος από χρώματα με βάση το μόλυβδο
- Κρυσταλλικό διοξείδιο του πυριτίου από τούβλα, τσιμέντο ή άλλα προϊόντα τοιχοποιίας, όπως
- Αρσενικό ή χρώμιο από χημικές κατεργασμένη δομική ξυλεία.

Ο κίνδυνος της έκθεσης εξαρτάται από το πόσο συχνά εκτελείτε τη συγκεκριμένη εργασία. Για να περιορίσετε όσο το δυνατόν περισσότερο τον κίνδυνο έκθεσης, θα πρέπει να εργάζεστε πάντα σε καλά αεριζόμενους χώρους. Χρησιμοποιείτε έναν επισήμως εγκεκριμένο προστατευτικό εξοπλισμό, όπως π.χ. μάσκες προστασίας από τη σκόνη με φίλτρο μικροσωματιδίων.

## 1.2 Περαιτέρω οδηγίες ασφαλείας και χρήσεως

Μην αντικαταθιστάτε την μπαταρία, όταν η επιφάνεια του εργαλείου είναι υγρή.

Μην πετάτε τις μεταχειρισμένες μπαταρίες στη φωτιά ή στα οικιακά απορρίμματα. Οι εξειδικευμένοι αντιπρόσωποι της Milwaukee προσφέρουν μια απόσυρση των παλιών ανταλλακτικών μπαταριών σύμφωνα με τους κανόνες προστασίας του περιβάλλοντος.

Μην αποθηκεύετε τις μπαταρίες μαζί με μεταλλικά αντικείμενα (κίνδυνος βραχυκυκλώματος).

Φορτίζετε τις μπαταρίες του συστήματος M18 μόνο με φορτιστές του συστήματος M18. Μην χρησιμοποιείτε μπαταρίες από άλλα συστήματα.

Όταν υπάρχει υπερβολική καταπόνηση ή υψηλή θερμοκρασία μπορεί να τρέξει υγρό μπαταρίας από τις χαλασμένες μπαταρίες. Αν έρθετε σε επαφή με υγρό μπαταρίας πλυθείτε αμέσως με νερό και σαπούνι. Σε περίπτωση επαφής με τα μάτια πλυθείτε σχολαστικά για τουλάχιστον 10 λεπτά και να αναζητήσετε αμέσως ένα γιατρό.

**Προειδοποίηση!** Για την αποτροπή του κινδύνου πυρκαγιάς λόγω βραχυκυκλώματος, τραυματισμών ή ζημιών του προϊόντος, μη βυθίζετε τη συσκευή, την μπαταρία ή τη συσκευή φόρτισης σε υγρά και φροντίστε, ώστε να μη διεισδύουν υγρά στις συσκευές και τους συσσωρευτές. Διαβρωτικές ή αγώγιμες υγρές ουσίες, όπως αλατόνερο, ορισμένες χημικές ουσίες και λευκαντικά ή προϊόντα που περιέχουν λευκαντικά, μπορεί να προκαλέσουν βραχυκύκλωμα.

Η χρήση και ο καθαρισμός αυτής της συσκευής δεν επιτρέπεται να πραγματοποιείται από άτομα με μειωμένες σωματικές και διανοητικές ικανότητες και αισθητικές δεξιότητες ή/και άτομα με ελλιπή εμπειρία και γνώση σχετικά με τον ασφαλή χειρισμό της εκτός και αν βρίσκονται υπό την επίβλεψη ατόμων που είναι νομικά υπεύθυνα για την ασφάλειά τους. Τα παραπάνω άτομα πρέπει να επιβλέπονται κατά τη χρήση της εν λόγω συσκευής. Αυτή η συσκευή δεν είναι κατάλληλη για παιδιά. Για αυτόν τον λόγο πρέπει όταν δεν χρησιμοποιείται, πρέπει να φυλάσσεται σε ασφαλές μέρος μακριά από παιδιά.

### 1.3 Τεχνικά στοιχεία

	M18 SIC36	M18 SIC60	M18 SISH
Μήκος καλωδίου κάμερας .....	36 m .....	60 m .....	
Κεφαλή κάμερας.....	∅ 25 mm .....	∅ 34 mm .....	
Μέγιστο ζουμ .....	4x .....	4x .....	
Τάση μπαταρίας .....			18 V
Βάρος σύμφωνα με τη διαδικασία EPTA 01/2014 (4.0 Ah / 12 Ah) .....	12,4 kg .....	20,46 kg .....	5,37 kg
Ζώνη/ες συχνότητας Bluetooth.....			2402-2480 MHz
Ισχύς υψηλής συχνότητας.....			1,8 dBm
Έκδοση Bluetooth .....			Λειτουργία σήματος 4.0 BT
Συνιστώμενη θερμοκρασία περιβάλλοντος κατά την εργασία .....	-18 .....	+50 °C .....	
Συνιστώμενοι τύποι μπαταριών.....		M18B....; M18HB....	
Συνιστώμενες συσκευές φόρτισης.....	M12-18C, M12-18AC, M12-18FC, M1418C6		

### 1.4 Προβλεπόμενη χρήση

Το σύστημα επιθεώρησης σωληνώσεων χρησιμοποιείται για την εξέταση και την επιθεώρηση των σωληνώσεων. Το σύστημα αποτελείται από τρεις μονάδες:

#### - Τύμπανο επιθεώρησης σωλήνων M18 SIC36 ή M18 SIC60

Το τύμπανο επιθεώρησης σωλήνων χρησιμοποιείται για το τύλιγμα και το ξετύλιγμα καθώς επίσης και για τον έλεγχο του προωθητικού καλωδίου. Τα τύμπανα διατίθενται σε δύο μεγέθη: M18SIC36 για σωλήνες με διάμετρο 50 mm έως 150 mm και το μεγαλύτερο μοντέλο M18SIC60 για σωλήνες με διάμετρο 75 mm έως 250 mm.

Και τα δύο τύμπανα φέρουν ένα προωθητικό καλώδιο με ένα συγκρότημα ελατηρίου, πάνω στο οποίο είναι τοποθετημένη η κεφαλή της κάμερας με δυνατότητα αυτόματης οριζοντίωσης. Η ασύρματη οθόνη M18 SIM και το Smart Hub M18 SISH μπορούν να χρησιμοποιηθούν και με τα δύο τύμπανα.

Και τα δύο τύμπανα μπορούν να χρησιμοποιηθούν τόσο σε κάθετη όσο και σε οριζόντια θέση. Στην οπίσθια πλευρά του M18 SIC36 είναι δυνατή η στερέωση μιας διάταξης μεταφοράς, για τη μεταφορά της συσκευής.

#### - Smart Hub M18 SISH

Το Smart Hub M18 SISH χρησιμοποιείται για τον έλεγχο του συστήματος επιθεώρησης σωληνώσεων.

Η ασύρματη οθόνη M18 SIM ή το tablet, στο οποίο είναι εγκατεστημένη η εφαρμογή επιθεώρησης σωληνώσεων Milwaukee®, συνδέεται με το Smart Hub M18 SISH, για τη λήψη των εγγραφών βίντεο και των φωτογραφιών. Τόσο τα βίντεο όσο και οι φωτογραφίες αποθηκεύονται στον εσωτερικό σκληρό δίσκο του Smart Hub M18 SISH.

#### - Ασύρματη οθόνη M18 SIM (δεν συμπεριλαμβάνεται στον παραδοτέο εξοπλισμό, μπορεί να αγοραστεί ξεχωριστά)

Η ασύρματη οθόνη M18 SIM καθιστά δυνατή την προβολή των βίντεο που καταγράφονται από την κεφαλή της κάμερας, την καταγραφή των βίντεο και των φωτογραφιών, καθώς επίσης και την αναπαραγωγή αρχείων βίντεο και εικόνες. Κατά τη διάρκεια της εγγραφής βίντεο είναι δυνατή η εγγραφή προφορικών σχολίων μέσω του εσωτερικού μικροφώνου. Μέσω της λειτουργίας «Ετικέτες» είναι επίσης δυνατή η προσθήκη γραπτών σχολίων. Τα γραπτά σχόλια εμφανίζονται στο καταγεγραμμένο βίντεο και προβάλλονται στις φωτογραφίες μαζί με την ημερομηνία, την ώρα και το ξετυλιγμένο μήκος του καλωδίου.

Αυτή η συσκευή επιτρέπεται να χρησιμοποιείται μόνο κατά τον προβλεπόμενο τρόπο.



## 1.5 Απαιτήσεις ραδιοσυχνοτήτων βάσει των προδιαγραφών που ισχύουν για εγκαταστάσεις στις ευρωπαϊκές χώρες

Σημείωση: Αυτή η συσκευή δοκιμάστηκε και πληροί τις οριακές τιμές ενός δέκτη της κατηγορίας 3 βάσει EN 300 440 V2.1.1.

Αυτές οι οριακές τιμές διασφαλίζουν την κατάλληλη προστασία από επιβλαβείς παρεμβολές σε κατοικίες.

Αυτή η συσκευή αντιδρά σε άλλες συσκευές, οι οποίες εκπέμπουν ραδιοκύματα στην περιοχή συχνοτήτων 2402 έως 2480 MHz. Αυτό μπορεί να έχει ως συνέπεια την πρόκληση βλαβών κατά τη χρήση του τηλεχειρισμού. Δεν είναι δυνατό να αποκλειστεί το ενδεχόμενο πρόκλησης βλαβών υπό ορισμένες συνθήκες. Για να διαπιστώσετε, εάν σε αυτήν τη συσκευή παρεμβάλλονται σήματα ραδιοσυχνοτήτων άλλων συσκευών, απενεργοποιήστε για λίγο τις άλλες συσκευές, για να ελέγξετε, εάν οι παρεμβολές εξαφανίζονται. Τα παρακάτω μέτρα μπορούν να σας βοηθήσουν να διορθώσετε τις παρεμβολές:

- Απενεργοποιήστε την πηγή της παρεμβολής.
- Αυξήστε την απόσταση από την πηγή της παρεμβολής.
- Συμβουλευτείτε έναν εξειδικευμένο αντιπρόσωπο ή έναν καταρτισμένο τεχνικό τεχνολογιών ραδιοσυστημάτων.

## 1.6 Δήλωση συμμορφωσης ΕΚ

Με την παρούσα η Techtronic Industries GmbH, δηλώνει ότι ο ραδιοεξοπλισμός M18SISH πληροί την οδηγία 2014/53/ΕΕ. Το πλήρες κείμενο της δήλωσης συμμόρφωσης ΕΕ διατίθεται στην ακόλουθη ιστοσελίδα στο διαδίκτυο: <http://services.milwaukeeetool.eu>

## 1.7 ONE-KEY™

Προς περαιτέρω ενημέρωση περί της λειτουργίας ONE-KEY αυτής της συσκευής διαβάστε τις συνημμένες οδηγίες ταχείας εκκίνησης ή επισκεφτείτε μας στο διαδίκτυο στην ιστοσελίδα [www.milwaukeeetool.com/one-key](http://www.milwaukeeetool.com/one-key). Μπορείτε να κατεβάσετε το ONE-KEY App στο Smartphone σας από το App Store ή το Google Play.

Σε περίπτωση ηλεκτροστατικών εκφορτίσεων διακόπτεται η σύνδεση Bluetooth. Σε αυτή την περίπτωση αποκαθιστάτε πάλι τη σύνδεση χειροκίνητα.

Η συσκευή ανταποκρίνεται στις ελάχιστες απαιτήσεις των προτύπων EN 55014-2:2015 / EN 301489-1 V2.2.3 / EN 301489-17 V3.1.1.

### Ένδειξη ONE-KEY™

Μπλε φως: Η ασύρματη σύνδεση έχει ενεργοποιηθεί και μπορεί να ρυθμιστεί με την εφαρμογή ONE-KEY™.

Αναβοσβήνει μπλε: Η συσκευή επικοινωνεί με την εφαρμογή ONE-KEY™.

Αναβοσβήνει κόκκινο: Για λόγους ασφαλείας μπλοκαρίστηκε η συσκευή και μπορεί να απασφαλιστεί από το χειριστή μέσω της εφαρμογής ONE-KEY™.

## 1.8 Μπαταρίες

Επαναφορτίζετε τις μπαταρίες που δεν έχουν χρησιμοποιηθεί για μεγαλύτερο χρονικό διάστημα πριν τη χρήση.

Μια θερμοκρασία πάνω από 50°C μειώνει την ισχύ της μπαταρίας. Αποφεύγετε τη θέρμανση για μεγαλύτερο χρονικό διάστημα από τον ήλιο ή τις συσκευές θέρμανσης.

Διατηρείτε τις επαφές σύνδεσης στο φορτιστή και στην μπαταρία καθαρές.

Για τη βέλτιστη διάρκεια ζωής πρέπει μετά τη χρήση η μπαταρία να φορτίζεται πλήρως.

Για μια κατά το δυνατόν μεγάλη διάρκεια ζωής η μπαταρία θα πρέπει μετά τη φόρτιση να αφαιρείται από το φορτιστή.

Για την αποθήκευση της μπαταρίας για διάστημα μεγαλύτερο των 30 ημερών:

Αποθηκεύετε τη μπαταρία σε θερμοκρασία κάτω από τους 27°C σε στεγνό χώρο.

Αποθηκεύετε τη μπαταρία περ. στο 30%-50% της κατάστασης φόρτισης.

Κάθε 6 μήνες φορτίζετε εκ νέου τη μπαταρία.

## 1.9 Μεταφορά των μπαταριών ιόντων λιθίου

Οι μπαταρίες ιόντων λιθίου υπόκεινται στις απαιτήσεις των νομικών διατάξεων για την μεταφορά επικινδύνων εμπορευμάτων.

Η μεταφορά τέτοιων μπαταριών πρέπει να πραγματοποιείται τηρώντας τους τοπικούς, εθνικούς και διεθνείς κανονισμούς και τις αντίστοιχες διατάξεις.

- Επιτρέπεται η μεταφορά τέτοιων μπαταριών στο δρόμο χωρίς περαιτέρω απαιτήσεις.

- Η εμπορική μεταφορά μπαταριών ιόντων λιθίου από εταιρείες μεταφορών υπόκειται στις απαιτήσεις των νομικών διατάξεων για την μεταφορά επικινδύνων εμπορευμάτων. Οι προετοιμασίες αποστολής και η μεταφορά πραγματοποιούνται αποκλειστικά από ειδικά εκπαιδευμένα άτομα. Η συνολική διαδικασία συνοδεύεται από εξειδικευμένο προσωπικό.

Κατά τη μεταφορά μπαταριών ιόντων λιθίου πρέπει να προσέχετε τα εξής:

- Φροντίστε τα σημεία επαφών να είναι προστατευμένα και μονωμένα ώστε να αποφεύγονται βραχυκυκλώματα.
- Φροντίστε, ώστε η μπαταρία να είναι σταθερή μέσα στη συσκευασία και να μη γλιστρά.
- Η μεταφορά μπαταριών που παρουσιάζουν φθορές ή διαρροές δεν επιτρέπεται.













Για περισσότερες πληροφορίες απευθυνθείτε στην εταιρεία μεταφορών.

## 1.10 Συντήρηση

Χρησιμοποιείτε μόνο εξαρτήματα και ανταλλακτικά της Milwaukee. Αναθέστε την αλλαγή των εξαρτημάτων, των οποίων η αντικατάσταση δεν έχει περιγραφεί, σε ένα κέντρο σέρβις της Milwaukee (προσέξτε το φυλλάδιο Εγγύηση/Διευθύνσεις εξυπηρέτησης πελατών).

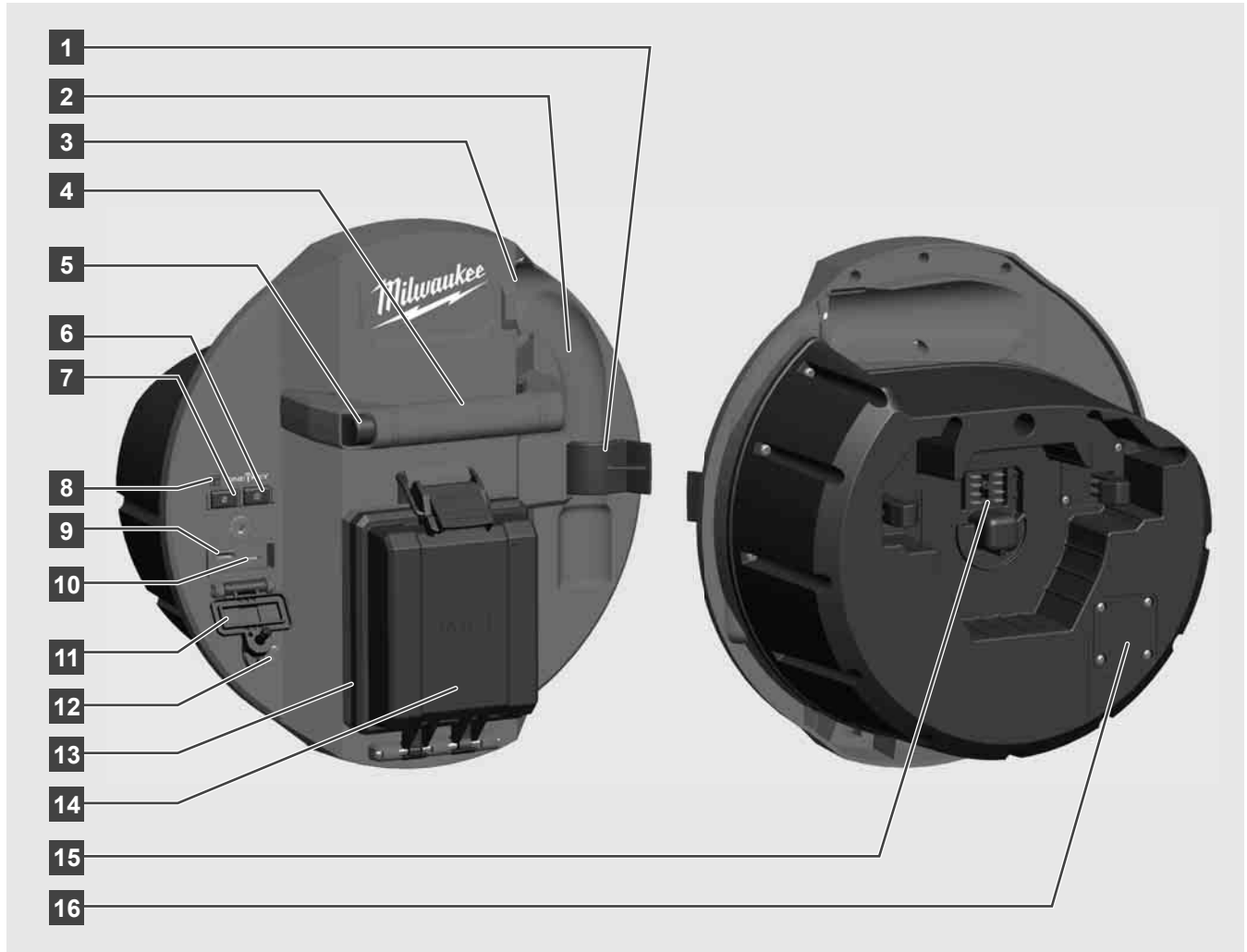
Σε περίπτωση που το χρειαστείτε μπορείτε να παραγγείλετε λεπτομερές σχέδιο της συσκευής αναφέροντας τον τύπο της συσκευής και τον εξαψήφιο αριθμό που βρίσκεται στην πινακίδα τεχνικών χαρακτηριστικών από την εξυπηρέτηση πελατών ή απευθείας από την Techtronic Industries GmbH, διεύθυνση Max-Eyth-Straße 10, 71364 Winnenden, Germany.

## 1.11 Συμβολα

	<b>ΠΡΟΣΟΧΗ! ΠΡΟΕΙΔΟΠΟΙΗΣΗ! ΚΙΝΔΥΝΟΣ!</b>
	Πριν από κάθε εργασία στη συσκευή αφαιρείτε την ανταλλακτική μπαταρία.
	Παρακαλώ διαβάστε σχολαστικά τις οδηγίες χρήσης πριν από την έναρξη λειτουργίας.
	Φοράτε προστατευτικά γάντια!
	Στις εργασίες με τη συσκευή φοράτε πάντοτε προστατευτικά γυαλιά.
	Ηλεκτρικά μηχανήματα, μπαταρίες/συσσωρευτές δεν επιτρέπεται να απορρίπτονται μαζί με τα οικιακά απορρίμματα. Ηλεκτρικές συσκευές και συσσωρευτές συλλέγονται ξεχωριστά και παραδίδονται προς ανακύκλωση με τρόπο φιλικό προς το περιβάλλον σε επιχείρηση επεξεργασίας απορριμμάτων. Ενημερωθείτε από τις τοπικές υπηρεσίες ή από ειδικευμένους εμπόρους σχετικά με κέντρα ανακύκλωσης και συλλογής απορριμμάτων.
	Τάση
	Συνεχές ρεύμα
	Ευρωπαϊκό σήμα πιστότητας
	Βρετανικό σήμα πιστότητας
	Ουκρανικό σήμα πιστότητας
	Ευρασιατικό σήμα πιστότητας

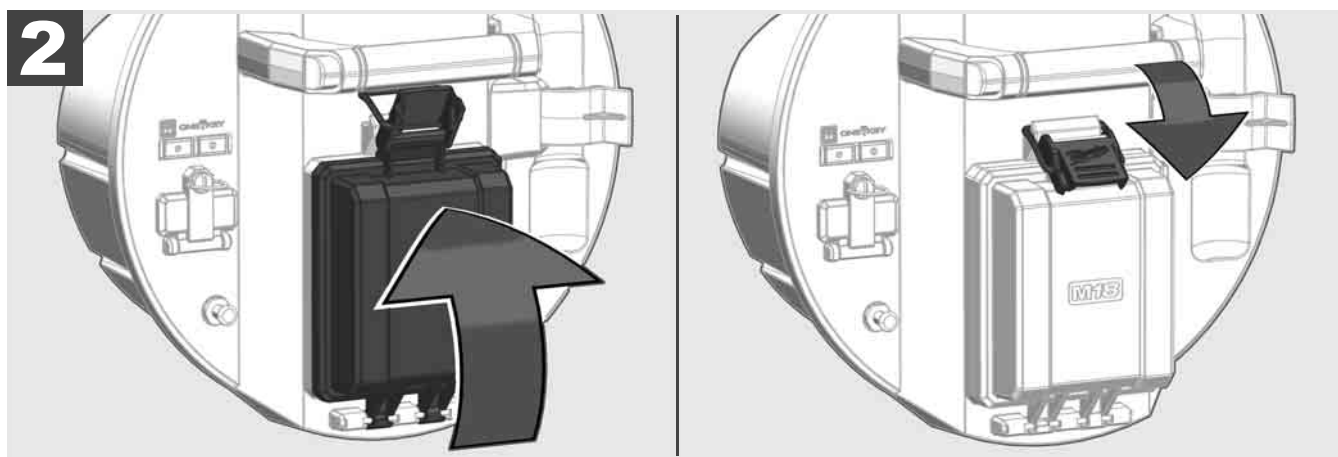
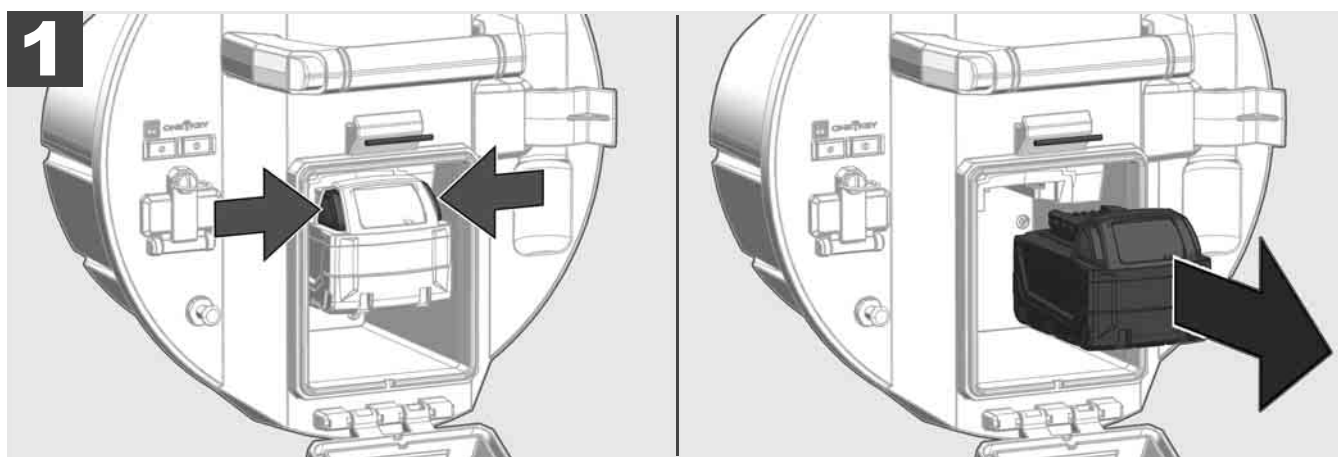
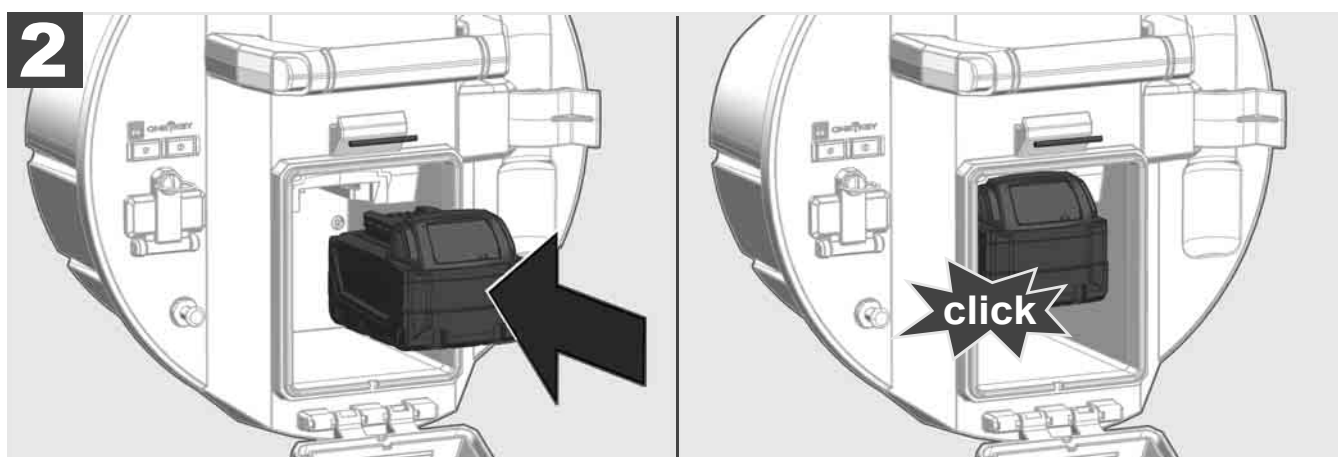
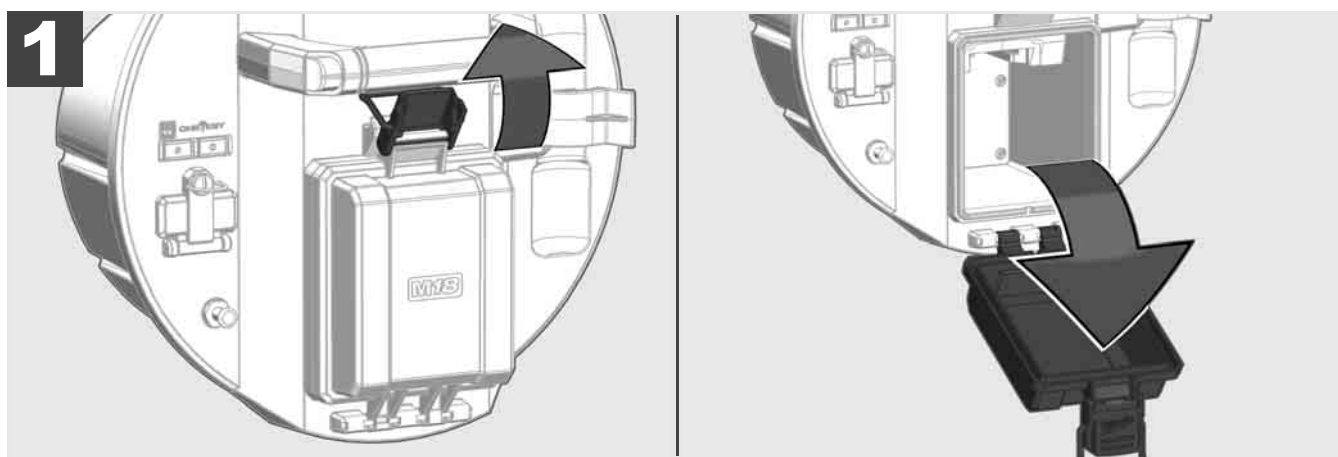
## 2 SMART HUB M18 SISH

### 2.1 Επισκόπηση Smart Hub M18 SISH



- 1 Κλιπ ασφάλισης ελατηρίου – για την ασφάλιση του ελατηρίου και της κάμερας κατά τη μεταφορά.
- 2 Διάταξη συγκράτησης ελατηρίου – Συγκρατεί το ελατήριο και την κάμερα στη θέση τους κατά τη μεταφορά και την αποθήκευση.
- 3 Οδηγός καλωδίου – Πριν από το κούμπωμα του Smart Hub, τυλίξτε το ελατήριο και το προωθητικό καλώδιο με τον οδηγό.
- 4 Λαβή
- 5 Πλήκτρο απασφάλισης – Πατήστε αυτό το πλήκτρο, για να απελευθερώσετε το Smart Hub από το τύμπανο επιθεώρησης σωλήνων.
- 6 Κεντρικός διακόπτης – Πατήστε τον μία φορά για να ενεργοποιήσετε τη συσκευή. Κρατήστε τον πατημένο, για να απενεργοποιήσετε τη συσκευή.
- 7 Πλήκτρο επαναφοράς μήκους καλωδίου – Μηδενίζει το μήκος του ξετυλιγμένου καλωδίου.
- 8 Οθόνη LED ΕΝΟΣ ΠΛΗΚΤΡΟΥ
- 9 Θύρα A USB – Για την απευθείας αποθήκευση βίντεο και φωτογραφιών καθώς επίσης και για ενημερώσεις του υλικολογισμικού.
- 10 Θύρα C USB – Προαιρετική σύνδεση τροφοδοσίας και σύνδεση δεδομένων για τη σύνδεση της ασύρματης οθόνης M18 SIM με το Smart Hub.
- 11 Κάλυμμα σύνδεσης USB – Αδιάβροχο κάλυμμα, το οποίο προστατεύει τις θύρες USB από τη σκόνη και την υγρασία.
- 12 Ράβδος γείωσης – Για τη γείωση του Smart Hub κατά την παρακολούθηση του προωθητικού καλωδίου.
- 13 Κάλυμμα μπαταρίας – Αδιάβροχο κάλυμμα, το οποίο προστατεύει την μπαταρία από τη σκόνη και την υγρασία.
- 14 Διαμέρισμα μπαταρίας – Για μπαταρία M18™
- 15 Θύρα για τη σύνδεση του Smart Hub και του τυμπάνου επιθεώρησης σωλήνων.
- 16 Δοκιμαστική σύνδεση κάμερας – Για την αποκατάσταση σφαλμάτων σε περίπτωση προβλημάτων με την κεφαλή της κάμερας

## 2.2 Τοποθέτηση και αφαίρεση μπαταρίας



## 2.3 Έλεγχος κατάστασης φόρτισης μπαταρίας



78-100 %



55-77 %



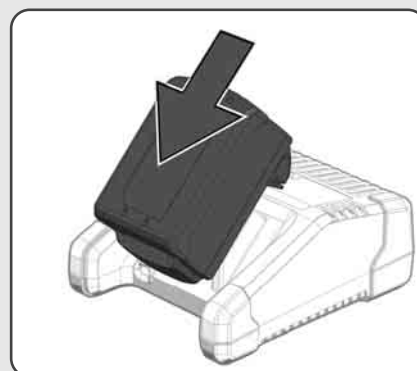
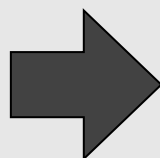
33-54 %

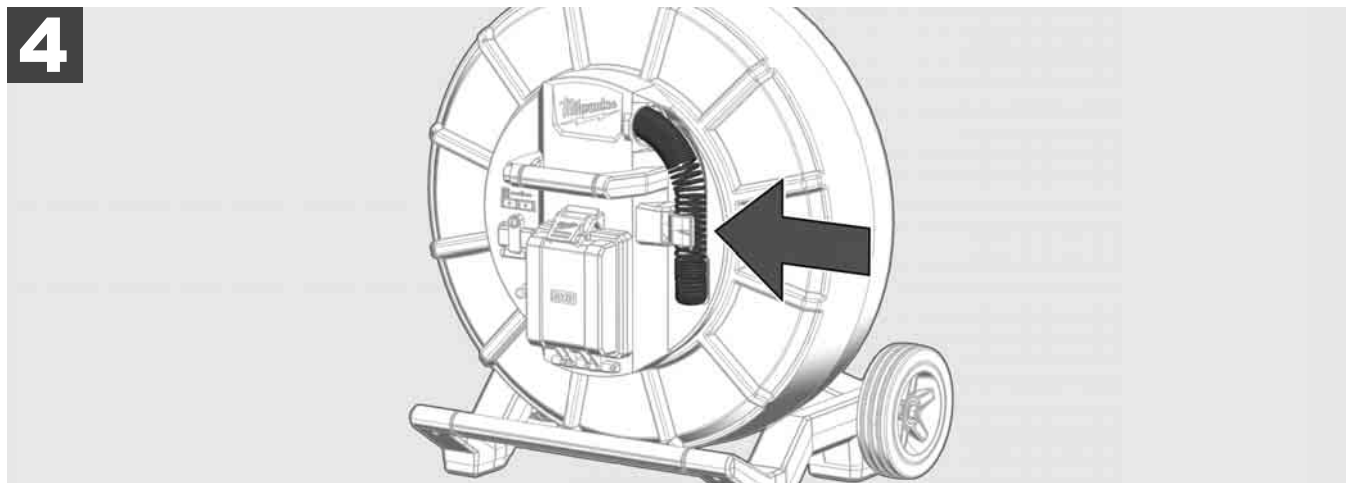
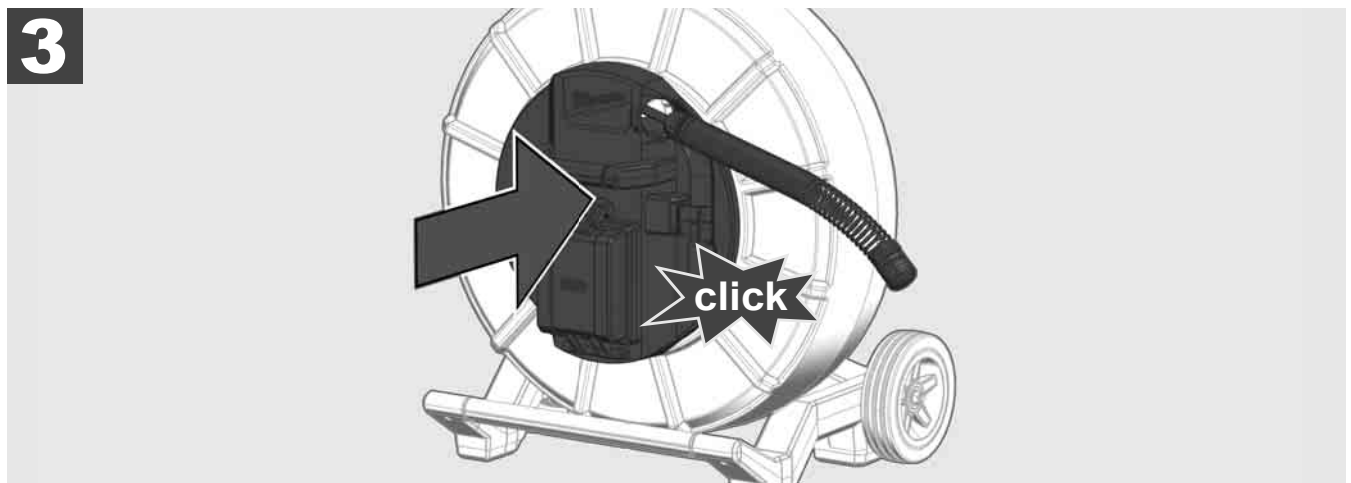
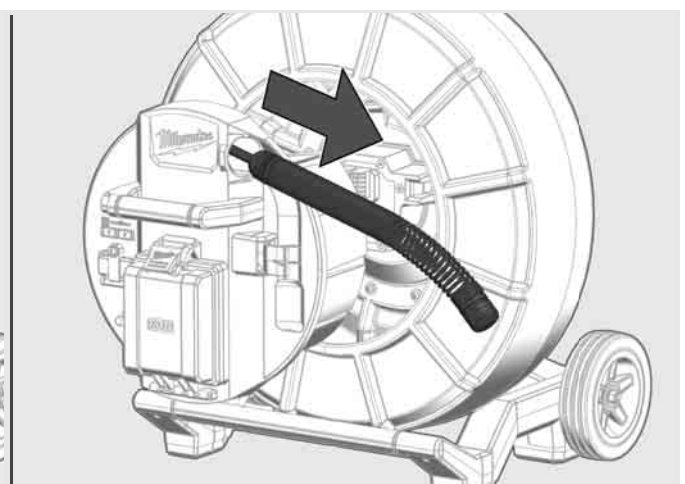
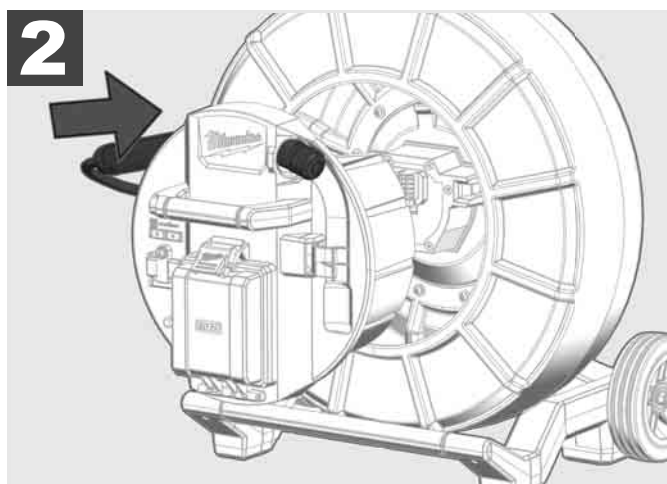
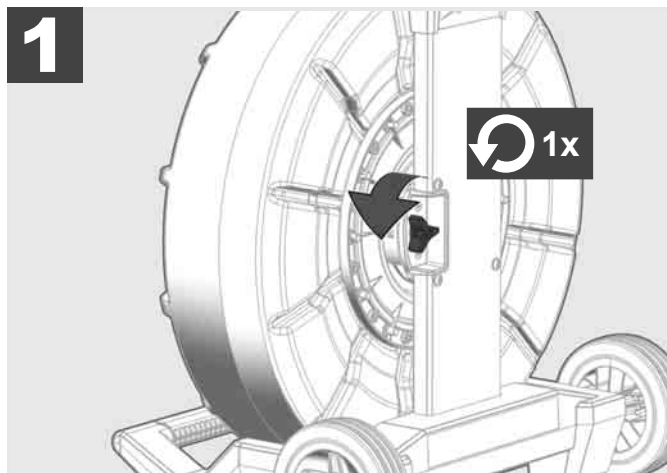


10-32 %



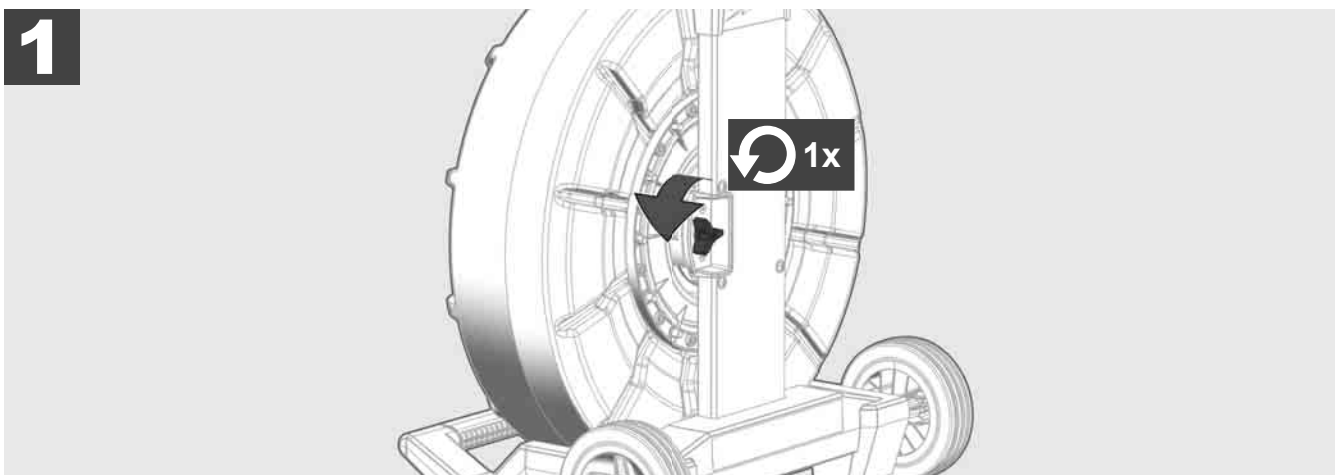
< 10 %



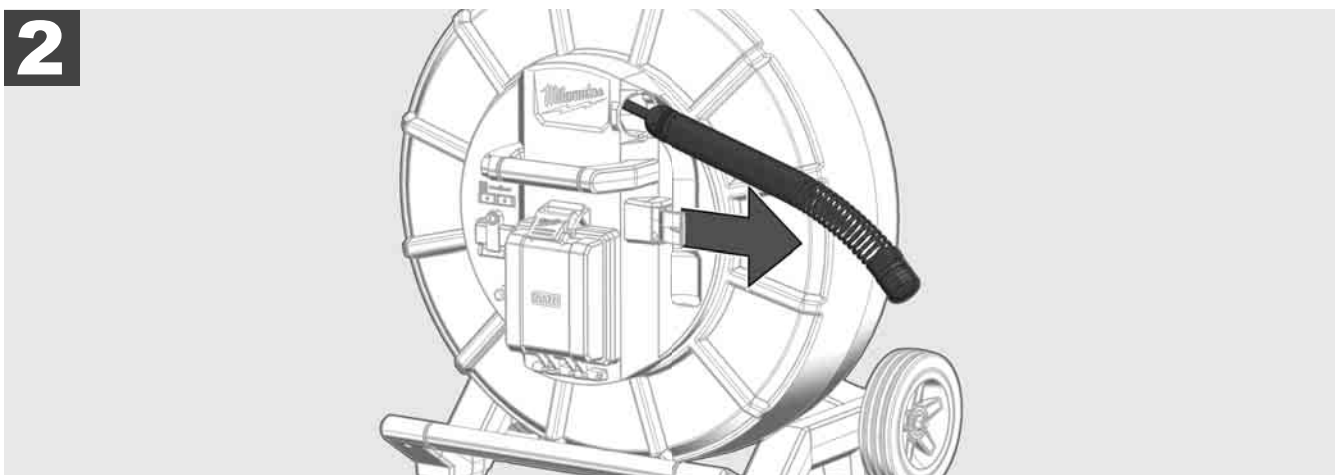




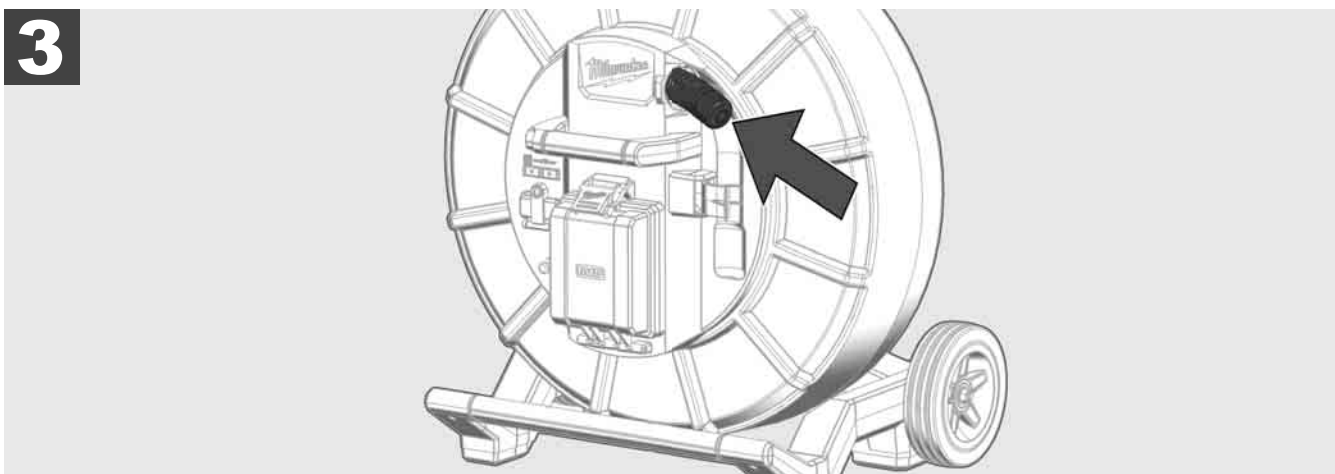
**1**



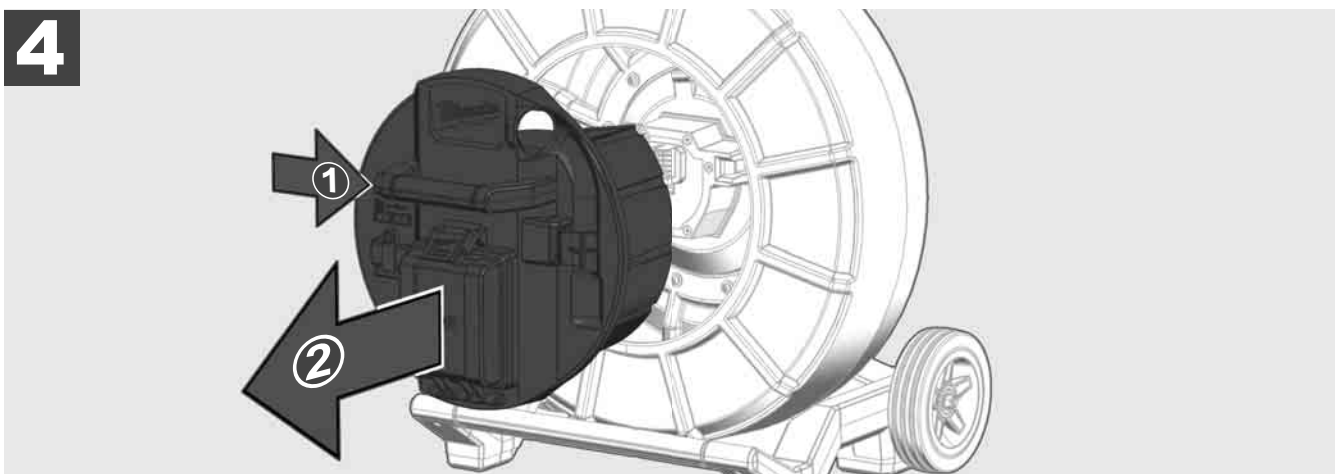
**2**



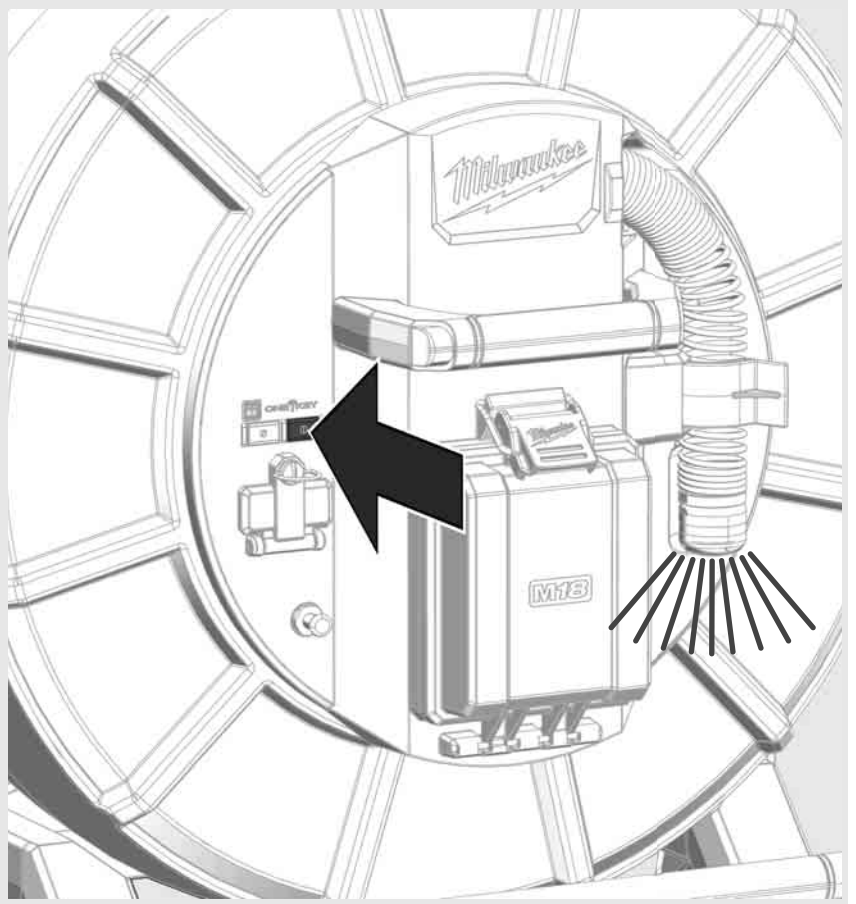
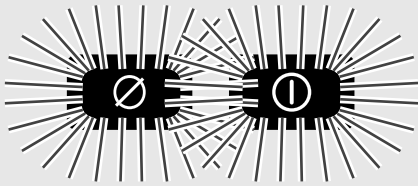
**3**



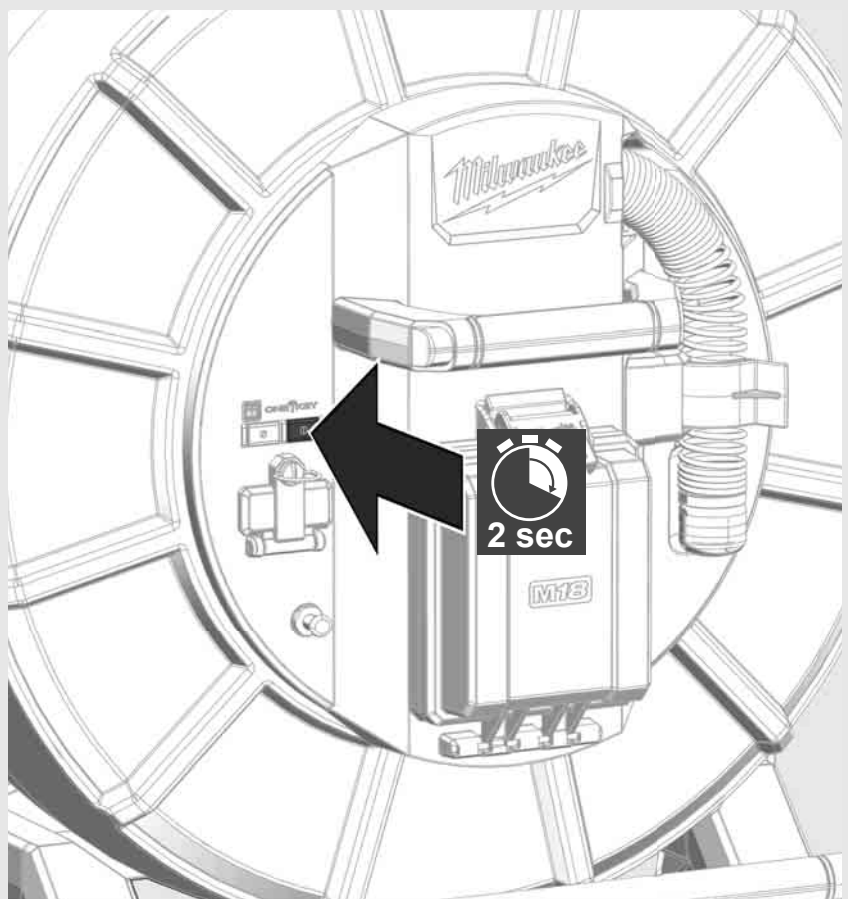
**4**



# ON



# OFF





## 2.7 Σύνδεση οθόνης

Για αλλαγή των ρυθμίσεων του ΣΥΣΤΗΜΑΤΟΣ ΕΠΙΘΕΩΡΗΣΗΣ ΣΩΛΗΝΩΣΕΩΝ, για έλεγχο των λειτουργιών του και για εμφάνιση των φωτογραφιών και των βίντεο από την κάμερα, απαιτείται μια εξωτερική οθόνη.

Η εξωτερική οθόνη δεν περιλαμβάνεται στον παραδοτέο εξοπλισμό του ΣΥΣΤΗΜΑΤΟΣ ΕΠΙΘΕΩΡΗΣΗΣ ΣΩΛΗΝΩΣΕΩΝ και πρέπει να αγοραστεί ξεχωριστά.

Διαθέσιμες είναι οι εξής επιλογές:

- ΑΣΥΡΜΑΤΗ ΟΘΟΝΗ MILWAUKEE M18 SIM
- Tablet ή Smartphone με την ΕΦΑΡΜΟΓΗ ΕΠΙΘΕΩΡΗΣΗΣ ΣΩΛΗΝΩΣΕΩΝ ΤΗΣ MILWAUKEE

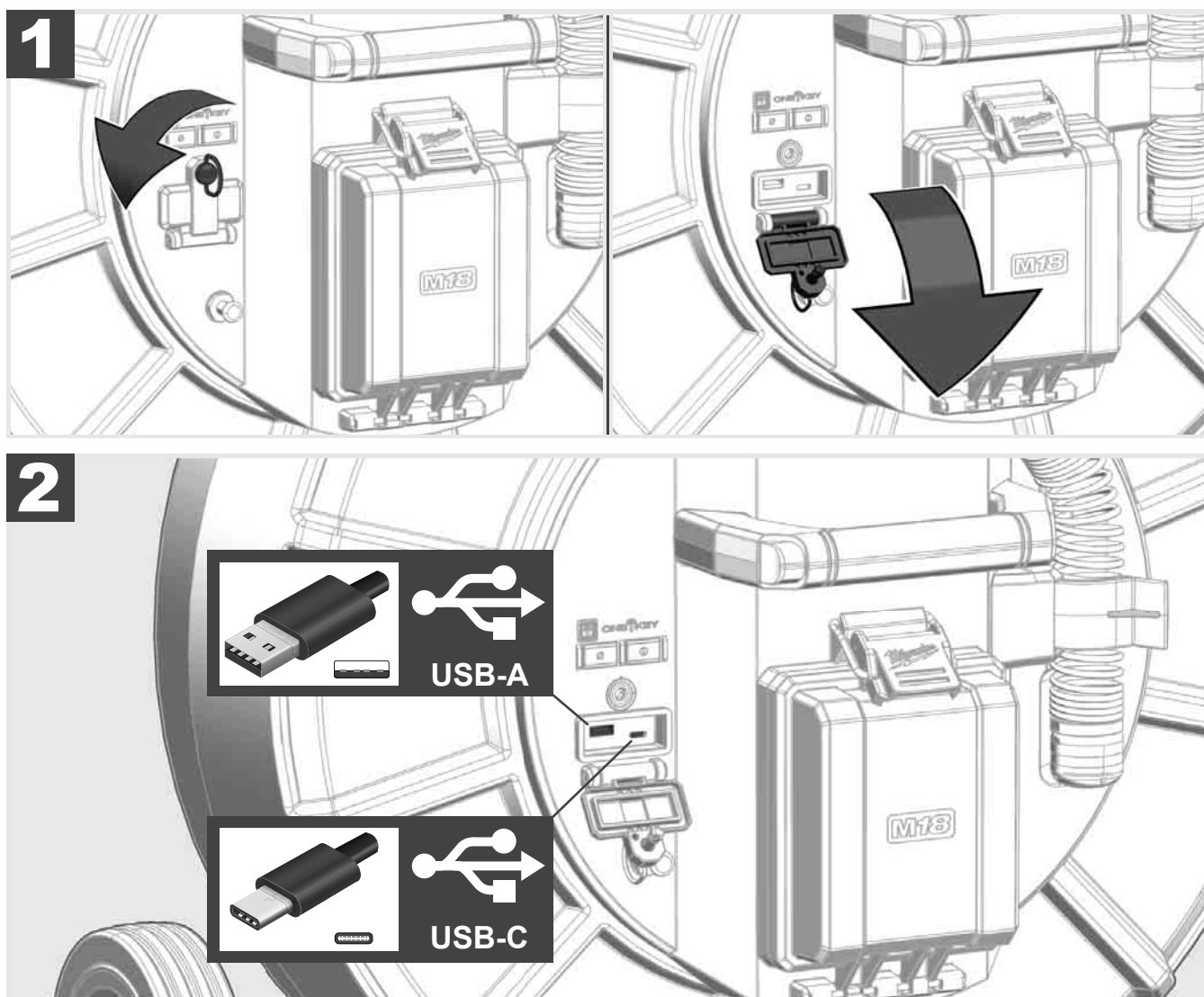
Η ΑΣΥΡΜΑΤΗ ΟΘΟΝΗ συνδέεται μέσω Wi-Fi ή θύρας USB-C στο ΣΥΣΤΗΜΑ ΕΠΙΘΕΩΡΗΣΗΣ ΣΩΛΗΝΩΣΕΩΝ και μπορεί να χρησιμοποιηθεί αμέσως. Σε περίπτωση χρήσης ενός tablet ή smartphone εγκαταστήστε πρώτα την ΕΦΑΡΜΟΓΗ ΕΠΙΘΕΩΡΗΣΗΣ ΣΩΛΗΝΩΣΕΩΝ της MILWAUKEE στην αντίστοιχη συσκευή.

### **ΠΡΩΤΗ ΧΡΗΣΗ ΜΕ ΑΣΥΡΜΑΤΗ ΟΘΟΝΗ M18 SIM:**

1. Ενεργοποιήστε το SMART HUB και την ΑΣΥΡΜΑΤΗ ΟΘΟΝΗ.
2. Η ΑΣΥΡΜΑΤΗ ΟΘΟΝΗ συνδέεται εντός 25 δευτερολέπτων αυτόματα με το SMART HUB.  
\*Για τη σύνδεση με καλώδιο συνδέστε την οθόνη μέσω του καλωδίου της θύρας USB-C στο Smart Hub.

### **ΠΡΩΤΗ ΧΡΗΣΗ ΜΕ SMARTPHONE Ή TABLET:**

1. Κάνετε λήψη και εγκαταστήστε την ΕΦΑΡΜΟΓΗ ΕΠΙΘΕΩΡΗΣΗΣ ΣΩΛΗΝΩΣΕΩΝ της MILWAUKEE.
2. Ενεργοποιήστε το SMART HUB και την οθόνη.
3. Επιλέξτε Ρυθμίσεις > Wi-Fi.
4. Επιλέξτε MTCAM\_[ΤΕΛΕΥΤΑΙΑ 9 ΨΗΦΙΑ ΤΟΥ ΣΕΙΡΙΑΚΟΥ ΑΡΙΘΜΟΥ ΤΟΥ ΔΙΑΝΟΜΕΑ].
5. Εισαγάγετε τον κωδικό πρόσβασης: 29702000
6. Εκκινήστε την ΕΦΑΡΜΟΓΗ ΕΠΙΘΕΩΡΗΣΗΣ ΣΩΛΗΝΩΣΕΩΝ της MILWAUKEE.

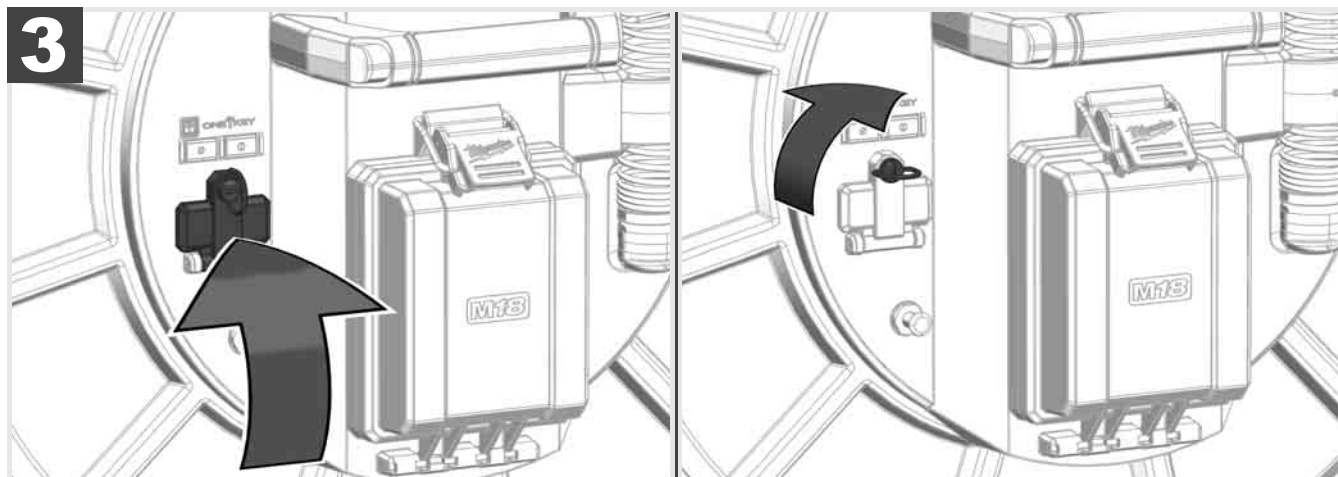


### USB-A

- Θύρα για την κανονική χρήση. Επιτρέπει την άμεση καταγραφή των αρχείων βίντεο και εικόνων καθώς και τη μετάδοσή τους από την εσωτερική μονάδα του Smart Hub.
- Καθιστά δυνατή την εκτέλεση των ενημερώσεων του υλικολογισμικού από το Smart Hub.

### USB-C

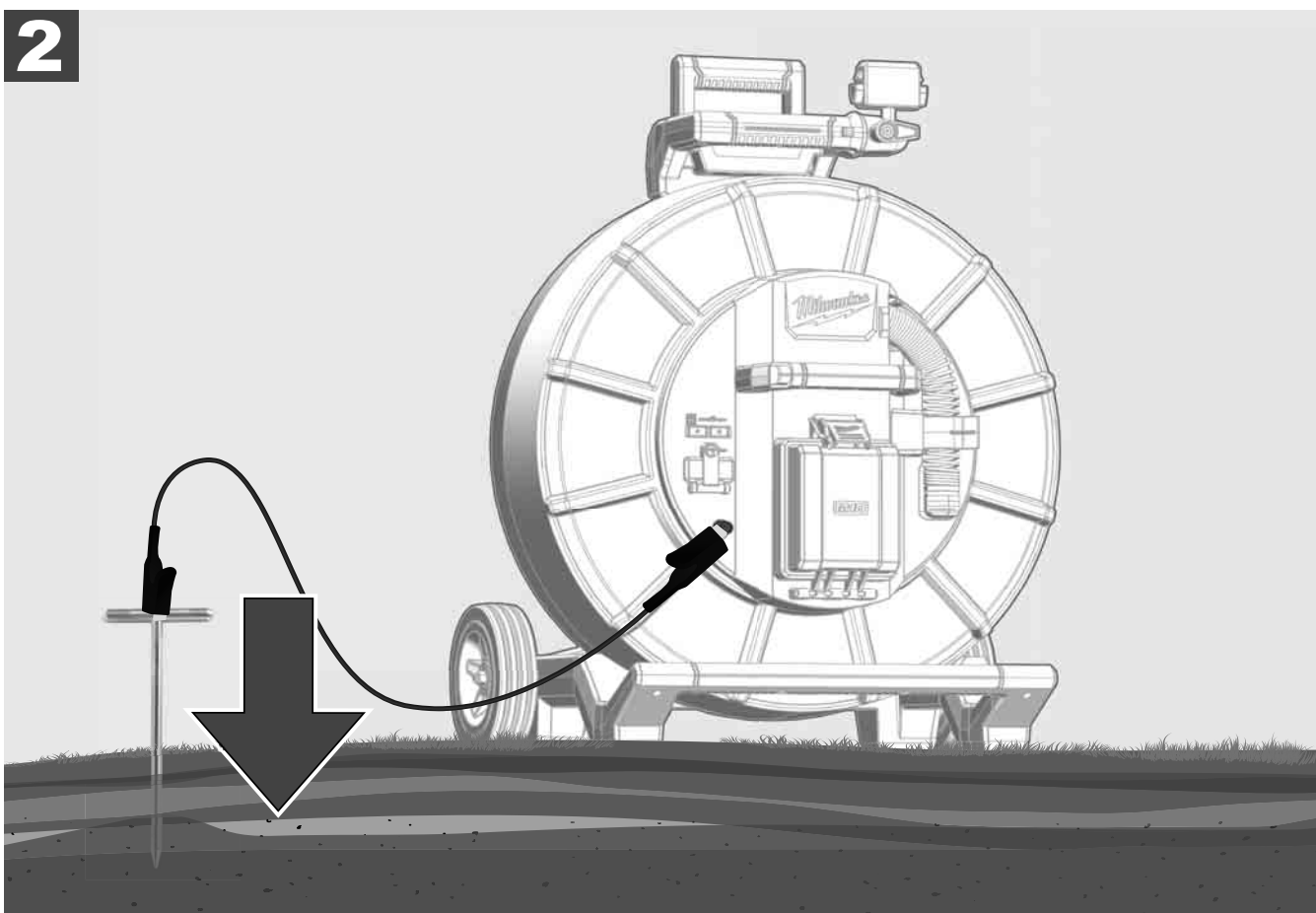
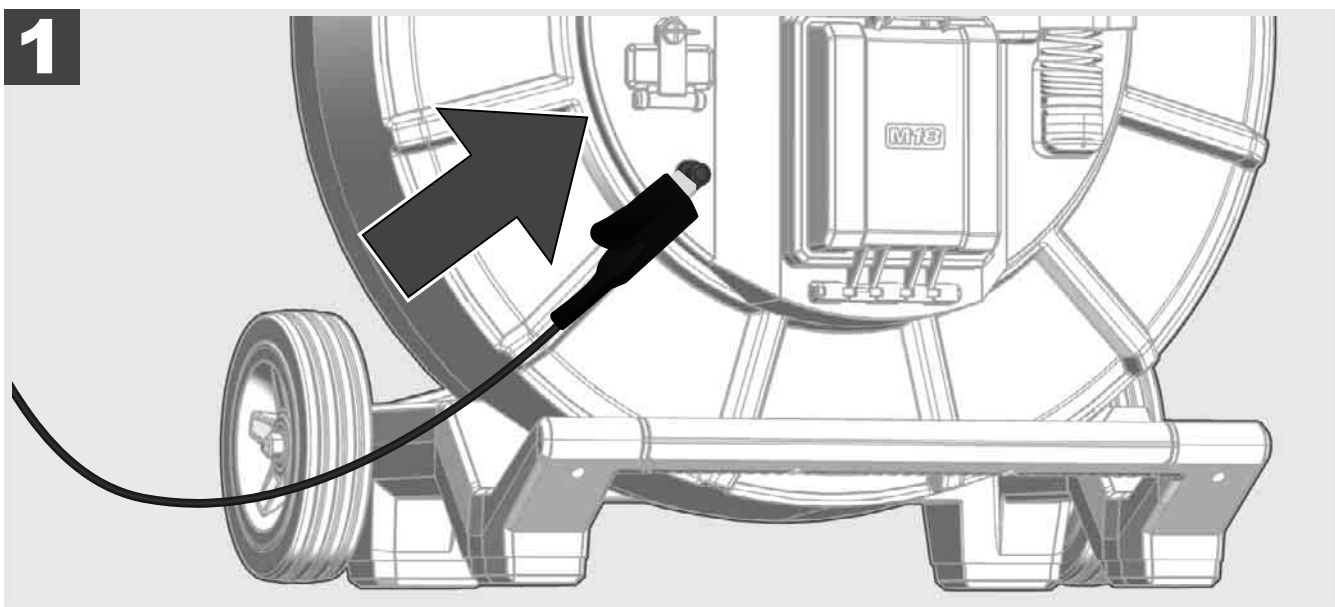
- Καθιστά δυνατή τη σύνδεση μεταξύ της ασύρματης οθόνης M18 SIM και του Smart Hub δίχως σύνδεση Wi-Fi. Ηλεκτρική τροφοδοσία του Smart Hub μέσω της ασύρματης οθόνης M18 SIM ή αντίστροφα, όταν η μπαταρία δεν είναι φορτισμένη.



## 2.9 Ράβδος γείωσης




Η ράβδος γείωσης πρέπει να χρησιμοποιείται πάντα όταν το προωθητικό καλώδιο παρακολουθείται μέσω της λειτουργίας ΠΑΡΑΚΟΛΟΥΘΗΣΗ ΚΑΛΩΔΙΟΥ. Πρέπει να πραγματοποιείται γείωση του Smart Hub, προκειμένου ο βρόχος ρεύματος να είναι κλειστός και η ποιότητα του εκπεμπόμενου σήματος εντοπισμού να είναι καλή. Χρησιμοποιείτε το συνοδευτικό καλώδιο γείωσης μαζί με τη ράβδο γείωσης για τη γείωση του Smart Hub.

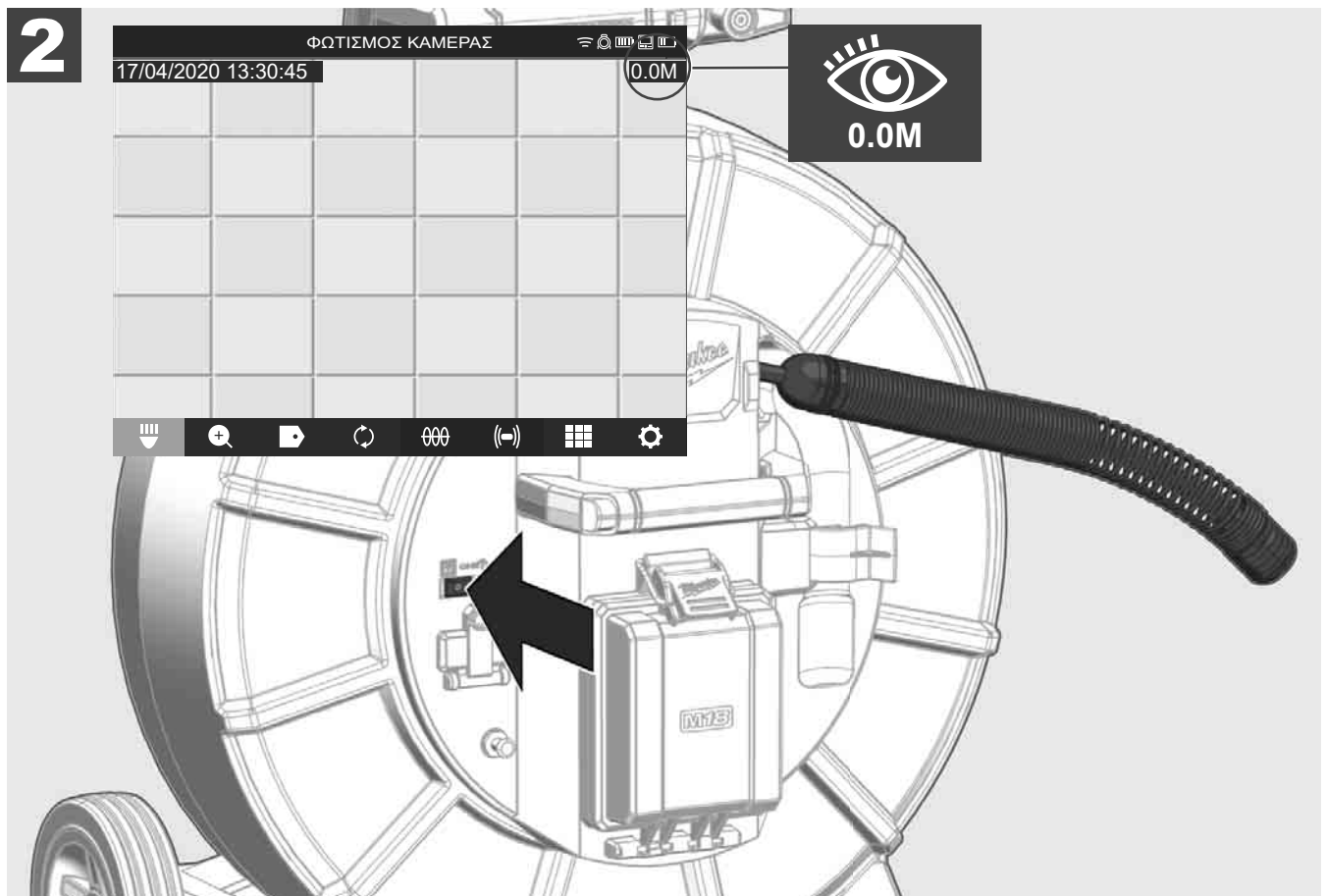
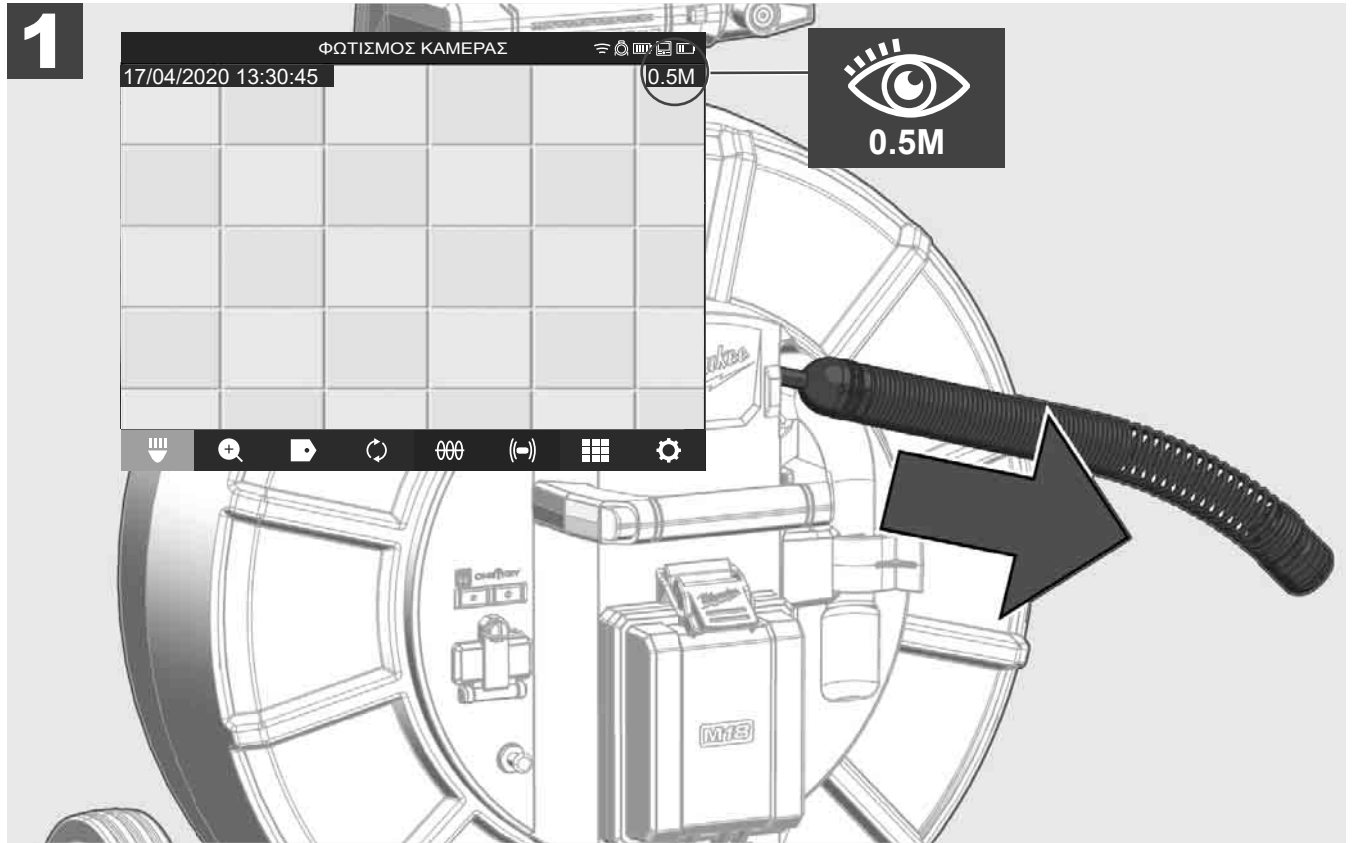


## 2.10 Επαναφορά μετρητή μήκους



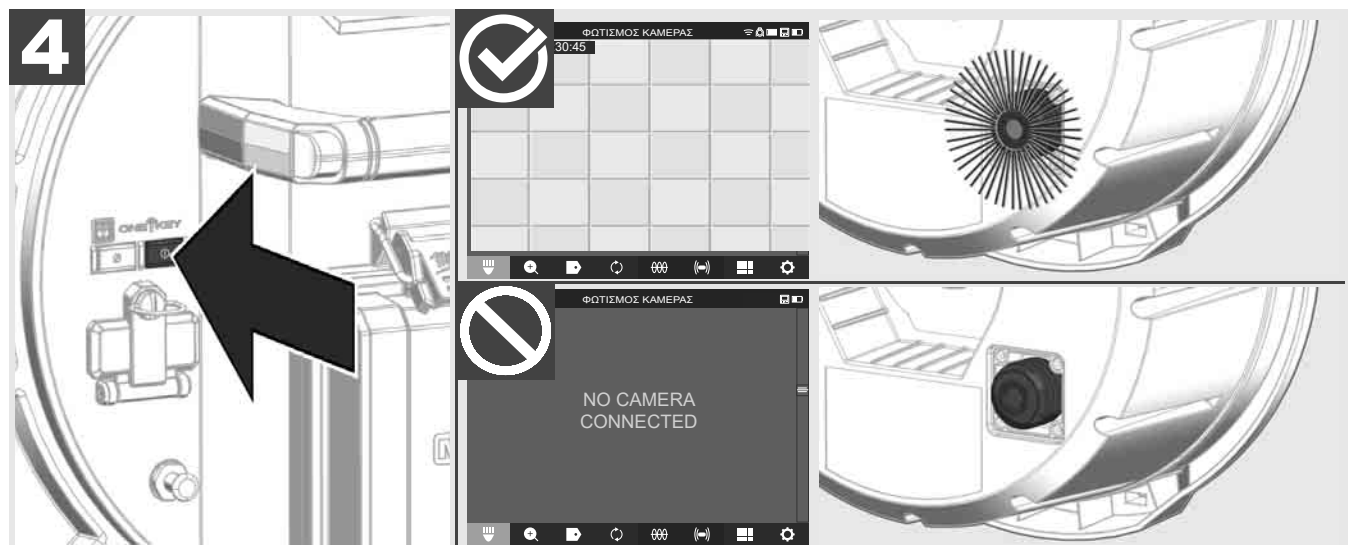
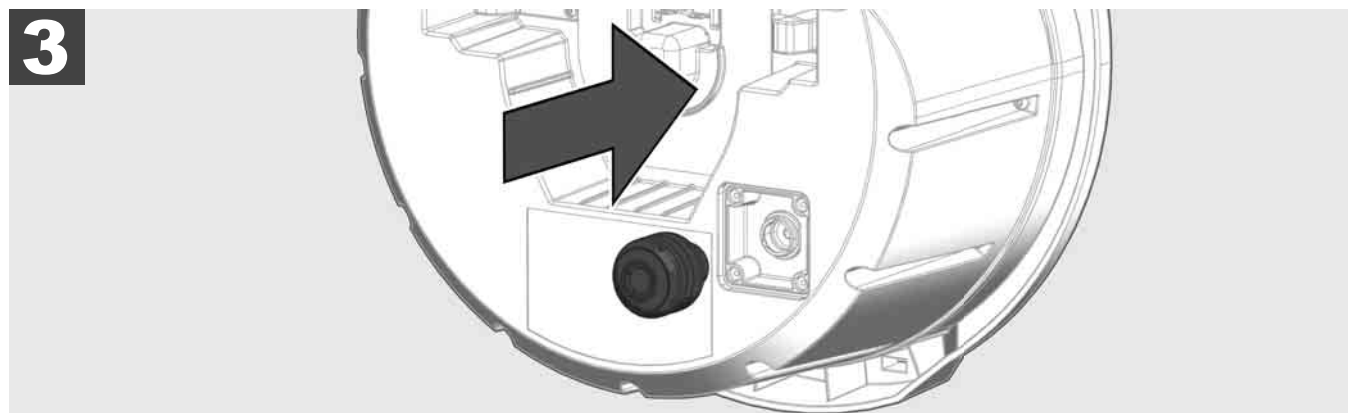
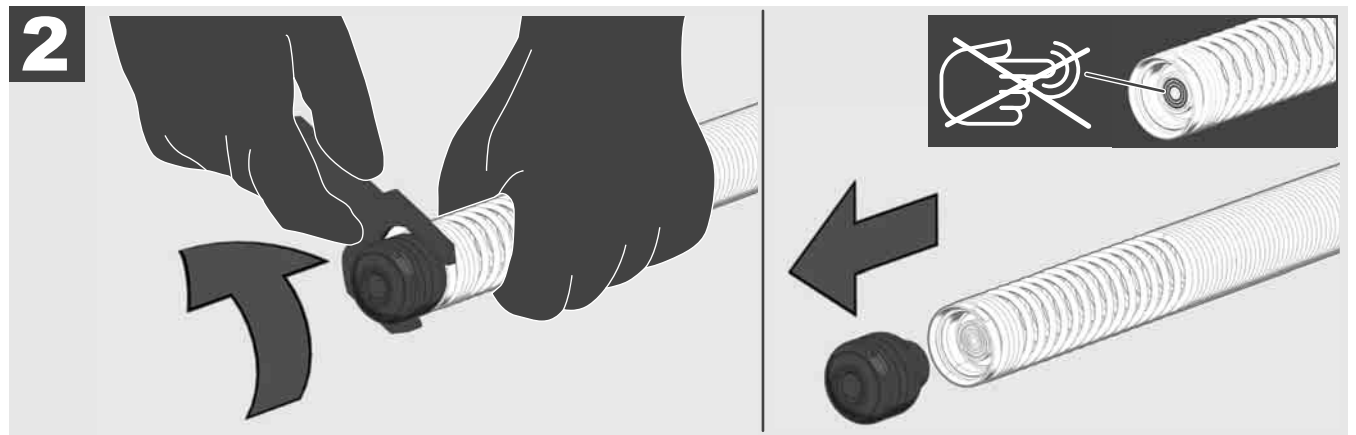
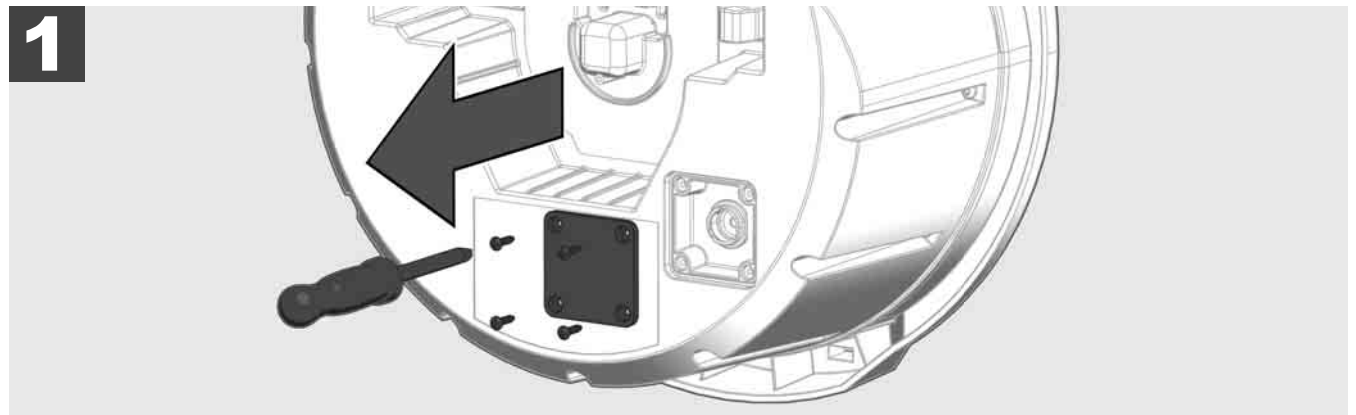
Κατά το ξετύλιγμα του ΤΥΜΠΑΝΟΥ ΕΠΙΘΕΩΡΗΣΗΣ ΣΩΛΗΝΩΝ το μήκος του ξετυλιγμένου καλωδίου εμφανίζεται στην μπάρα κατάστασης της ασύρματης οθόνης M18 SIM.

Για να επαναφέρετε την ένδειξη, πατήστε το πλήκτρο .



## 2.11 Δοκιμαστική σύνδεση κάμερας

Σε περίπτωση εμφάνισης προβλημάτων με την κεφαλή της κάμερας, είναι δυνατός ο έλεγχος της κάμερας μέσω της δοκιμαστικής σύνδεσης.

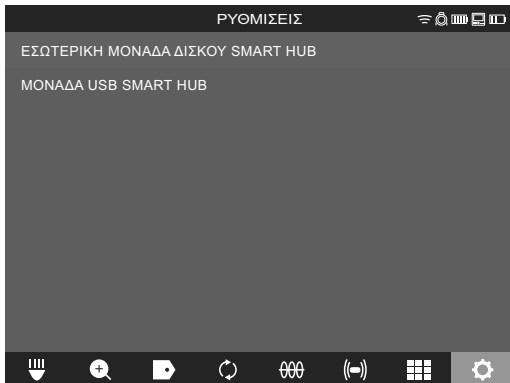


## 2.12 Διαμόρφωση εσωτερικής μονάδας δίσκου και μονάδας USB

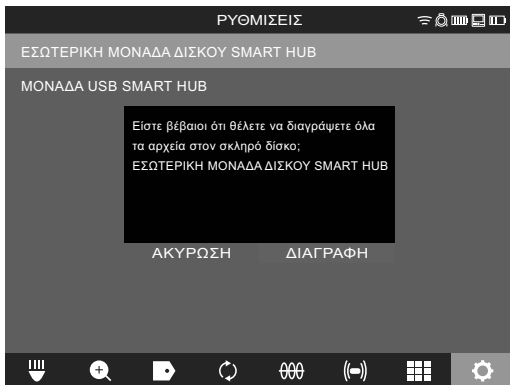
Με αυτήν τη λειτουργία μπορείτε να διαμορφώσετε την εσωτερική μονάδα δίσκου 500 GB του Smart Hub ή τη μονάδα USB.

Οι μονάδες USB πρέπει να διαμορφώνονται στο πρότυπο FAT32.

1. Επιλέξτε **ΡΥΘΜΙΣΕΙΣ**  → **ΔΙΑΜΟΡΦΩΣΗ ΜΟΝΑΔΑΣ ΔΙΣΚΟΥ**
2. Επιλέξτε τη μονάδα δίσκου.



3. Επιβεβαιώστε το μήνυμα που εμφανίζεται στην οθόνη.




Πραγματοποιείται διαμόρφωση της επιλεγμένης μονάδας δίσκου και το σύστημα επιστρέφει στο μενού **ΡΥΘΜΙΣΕΙΣ**.

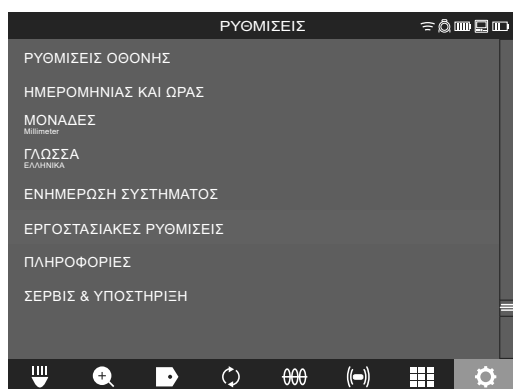
## 2.13 Εργοστασιακές ρυθμίσεις

Η επιλογή της λειτουργίας «Εργοστασιακές ρυθμίσεις» επαναφέρει το Smart Hub M18 SISH στις εργοστασιακές τιμές.

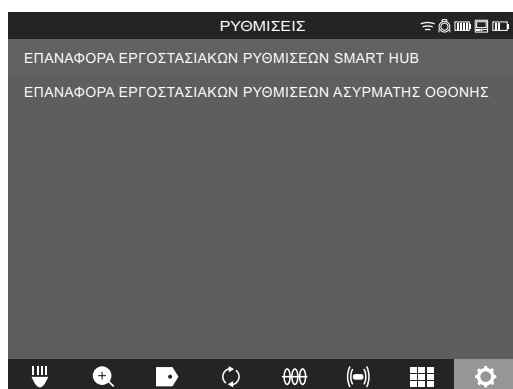
Πραγματοποιείται επαναφορά των παρακάτω ρυθμίσεων του Smart Hub M18 SISH:

- Οι ΕΤΙΚΕΤΕΣ διαγράφονται.
- Πραγματοποιείται επαναφορά των ρυθμίσεων ΒΙΝΤΕΟ και ΕΙΚΟΝΑΣ σε 1080 P.
- Η ΕΠΩΝΥΜΙΑ ΕΤΑΙΡΕΙΑΣ διαγράφεται.
- Πραγματοποιείται επαναφορά της ΣΥΧΝΟΤΗΤΑΣ ΑΙΣΘΗΤΗΡΩΝ στην εργοστασιακή ρύθμιση.
- Πραγματοποιείται επαναφορά της ΠΑΡΑΚΟΛΟΥΘΗΣΗΣ ΚΑΛΩΔΙΟΥ στην εργοστασιακή ρύθμιση.
- Πραγματοποιείται επαναφορά των ΡΥΘΜΙΣΕΩΝ ΟΘΟΝΗΣ στην εργοστασιακή ρύθμιση: Απόχρωση, φωτεινότητα, αντίθεση, κορεσμός.
- ΜΟΝΑΔΕΣ ΜΕΤΡΗΣΗΣ

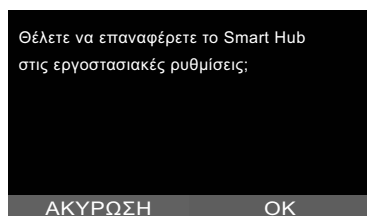
1. Επιλέξτε **ΡΥΘΜΙΣΕΙΣ**  → **ΕΡΓΟΣΤΑΣΙΑΚΕΣ ΡΥΘΜΙΣΕΙΣ**



2. Επιλέξτε **ΕΡΓΟΣΤΑΣΙΑΚΕΣ ΡΥΘΜΙΣΕΙΣ** Smart Hub M18 SISH.



3. Διαβάστε και επιβεβαιώστε το μήνυμα επαναφοράς πατώντας OK.



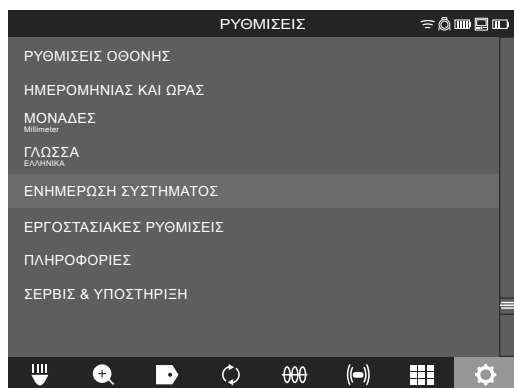
Η επαναφορά στις εργοστασιακές ρυθμίσεις έχει ολοκληρωθεί και το σύστημα επιστρέφει στο υπομενού **ΕΡΓΟΣΤΑΣΙΑΚΕΣ ΡΥΘΜΙΣΕΙΣ**.

## 2.14 Ενημέρωση συστήματος

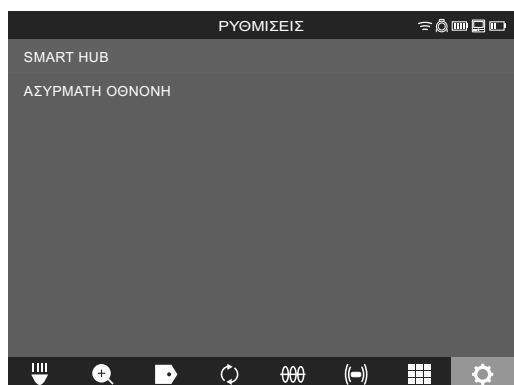
Πριν από την ενημέρωση του συστήματος, ανοίξτε το μενού **ΡΥΘΜΙΣΕΙΣ** → **ΠΛΗΡΟΦΟΡΙΕΣ** και σημειώστε την τρέχουσα έκδοση του υλικολογισμικού.

Οι ενημερώσεις του υλικολογισμικού μπορούν να πραγματοποιηθούν είτε μέσω της ασύρματης οθόνης M18 SIM είτε με ένα tablet και την εφαρμογή επιθεώρησης σωλήνων Milwaukee®.

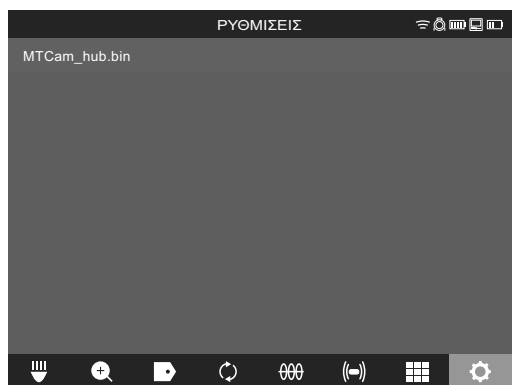
1. Ενεργοποιήστε το Smart Hub M18 SISH και την ασύρματη οθόνη M18SIM ή το tablet με την εφαρμογή επιθεώρησης σωλήνων Milwaukee®.
2. Βεβαιωθείτε ότι η ασύρματη οθόνη M18 SIM ή το tablet συνδέονται μέσω Wi-Fi με το Smart Hub M18 SISH. Εάν δεν υπάρχει σύνδεση Wi-Fi, τότε θα πρέπει πρώτα να τη δημιουργήσετε.
3. Τοποθετήστε τη μονάδα USB με την ενημέρωση υλικολογισμικού στη θύρα USB-A του Smart Hub M18 SISH.
4. Επιλέξτε **ΡΥΘΜΙΣΕΙΣ** ⚙️ → **ΕΝΗΜΕΡΩΣΗ ΣΥΣΤΗΜΑΤΟΣ**



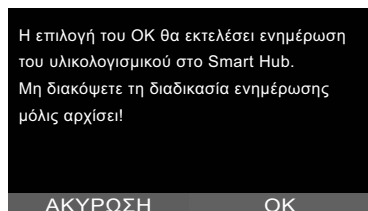
5. Επιλέξτε Smart Hub M18 SISH.



6. Το όνομα αρχείου ενημέρωσης εμφανίζεται στην οθόνη. Επιλέξτε **ΟΝΟΜΑ ΑΡΧΕΙΟΥ**, για να ξεκινήσετε την ενημέρωση.

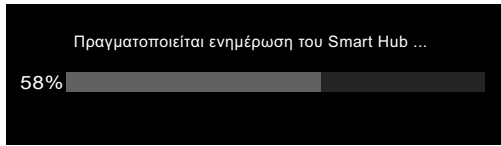


7. Διαβάστε και επιβεβαιώστε το προειδοποιητικό μήνυμα πατώντας OK.

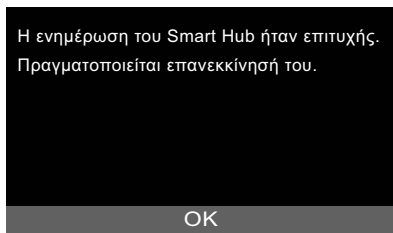




8. Μια μπάρα προόδου εμφανίζει την πορεία της ενημέρωσης.



9. Όταν ολοκληρωθεί η ενημέρωση, εμφανίζεται ένα μήνυμα, το οποίο πρέπει να επιβεβαιώσετε. Επιλέξτε ΟΚ για επανεκκίνηση του συστήματος.



10. Επιλέξτε [ΡΥΘΜΙΣΕΙΣ](#) → [ΠΛΗΡΟΦΟΡΙΕΣ](#), για να ελέγξετε αν η έκδοση του υλικολογισμικού έχει ενημερωθεί.

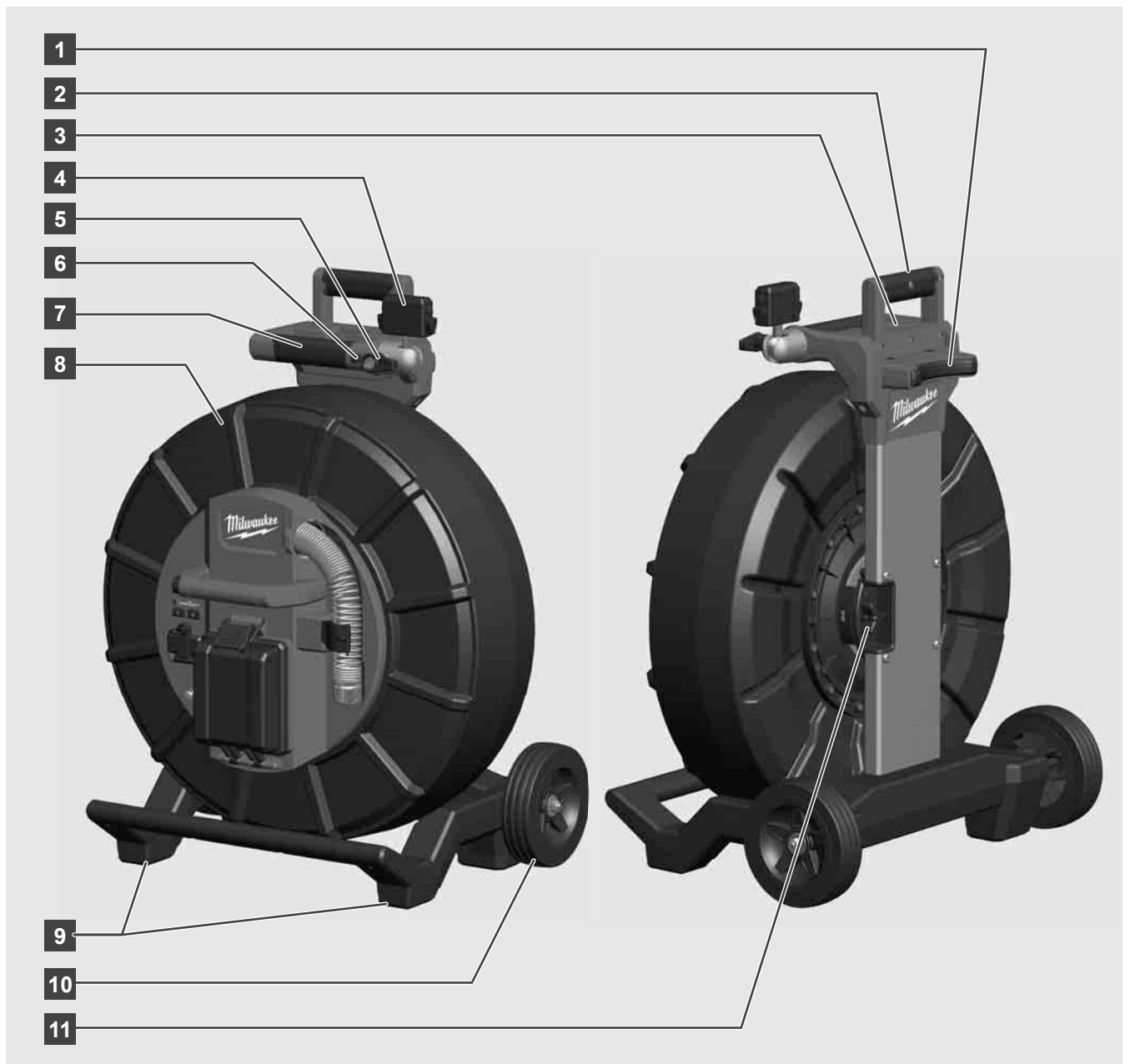
### 3 ΤΥΜΠΑΝΑ ΕΠΙΘΕΩΡΗΣΗΣ ΣΩΛΗΝΩΝ

#### 3.1 Επισκόπηση τυμπάνου επιθεώρησης σωλήνων M18 SIC36



- 1 Βάση στήριξης για οριζόντια χρήση
- 2 Ασύρματη οθόνη M18 SIM – Βάση tablet και σύνδεση
- 3 Ασύρματη οθόνη M18 SIM – Ασφάλιση μέσω περιστροφής
- 4 Ασύρματη οθόνη M18 SIM – Ασφάλιση μέσω ανατροπής
- 5 Λαβή
- 6 Τύμπανο περιτύλιξης καλωδίου με προωθητικό καλώδιο
- 7 Βάση στήριξης για κάθετη χρήση
- 8 Διάταξη πέδησης τυμπάνου περιτύλιξης καλωδίου
- 9 Βάση στήριξης για οριζόντια χρήση
- 10 Κλίνη εργασιών συντήρησης

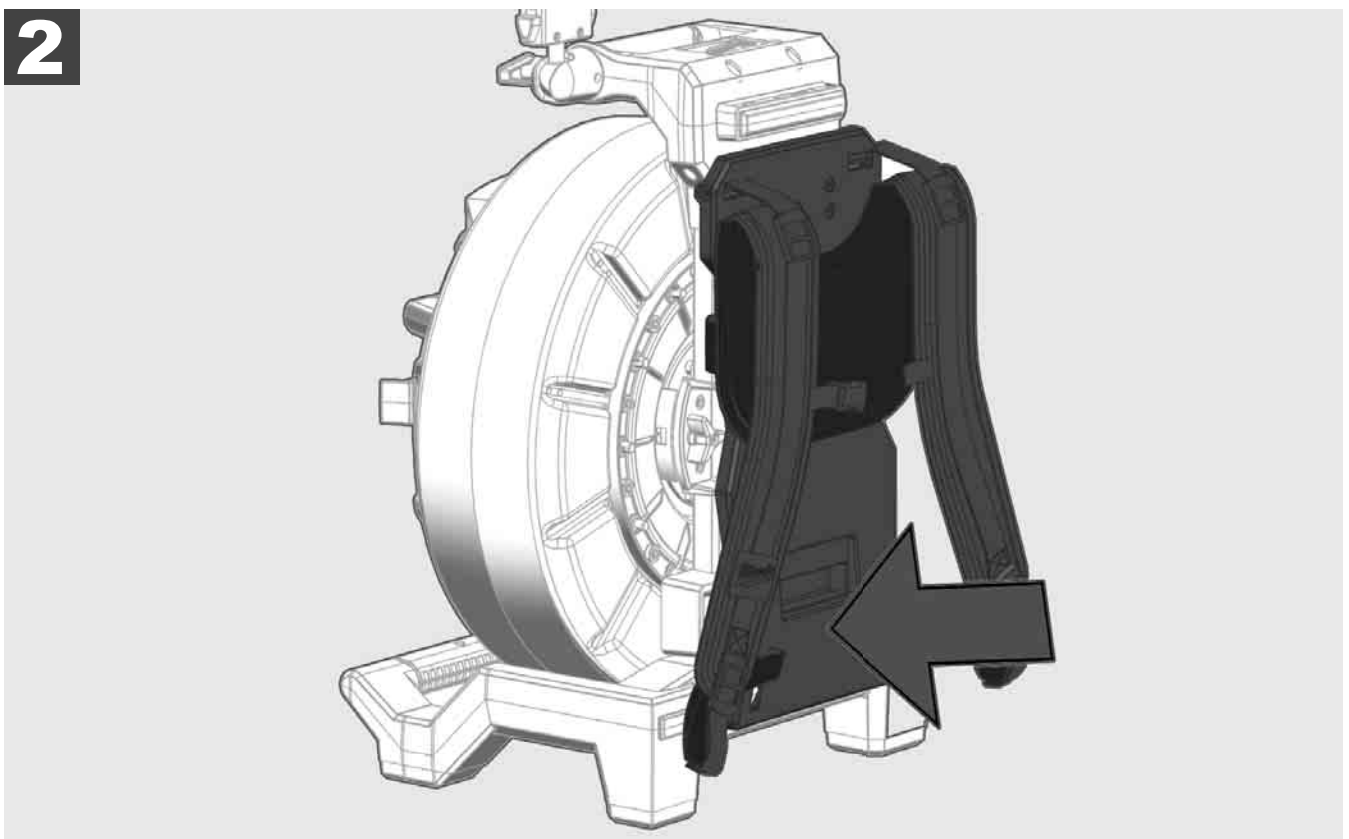
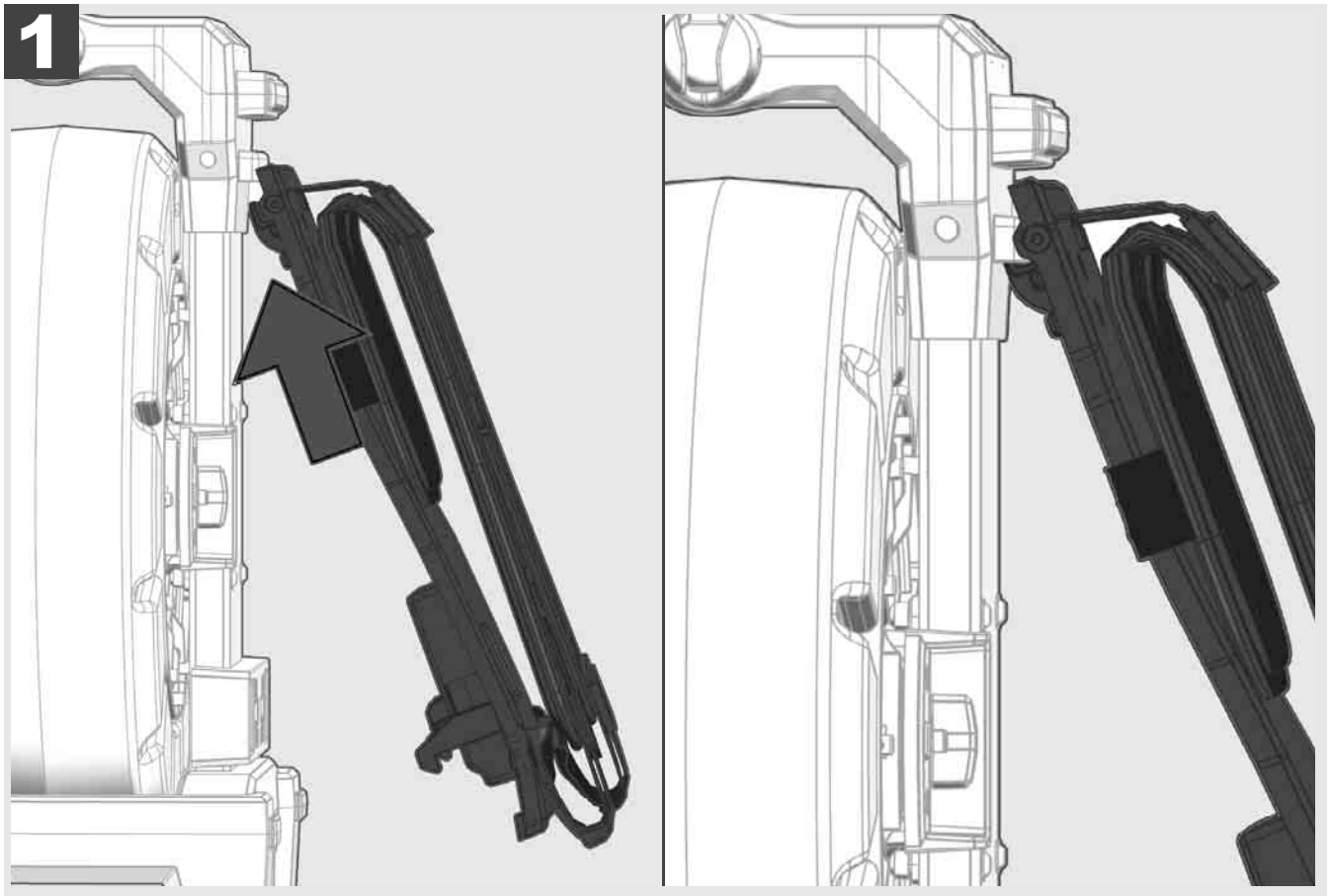
### 3.2 Επισκόπηση τυμπάνου επιθεώρησης σωλήνων M18 SIC60



- 1 Βάση στήριξης για οριζόντια χρήση
- 2 Αφαιρούμενη λαβή (σε τοποθετημένη θέση)
- 3 Πλήκτρο για το κλείδωμα και το ξεκλείδωμα της αφαιρούμενης λαβής
- 4 Ασύρματη οθόνη M18 SIM – Βάση / βάση tablet και σύνδεση
- 5 Ασύρματη οθόνη M18 SIM – Ασφάλιση μέσω περιστροφής
- 6 Ασύρματη οθόνη M18 SIM – Ασφάλιση μέσω ανατροπής
- 7 Λαβή
- 8 Τύμπανο περιτύλιξης καλωδίου με προωθητικό καλώδιο
- 9 Βάση στήριξης για κάθετη χρήση
- 10 Τροχοί
- 11 Διάταξη πέδησης τυμπάνου περιτύλιξης καλωδίου

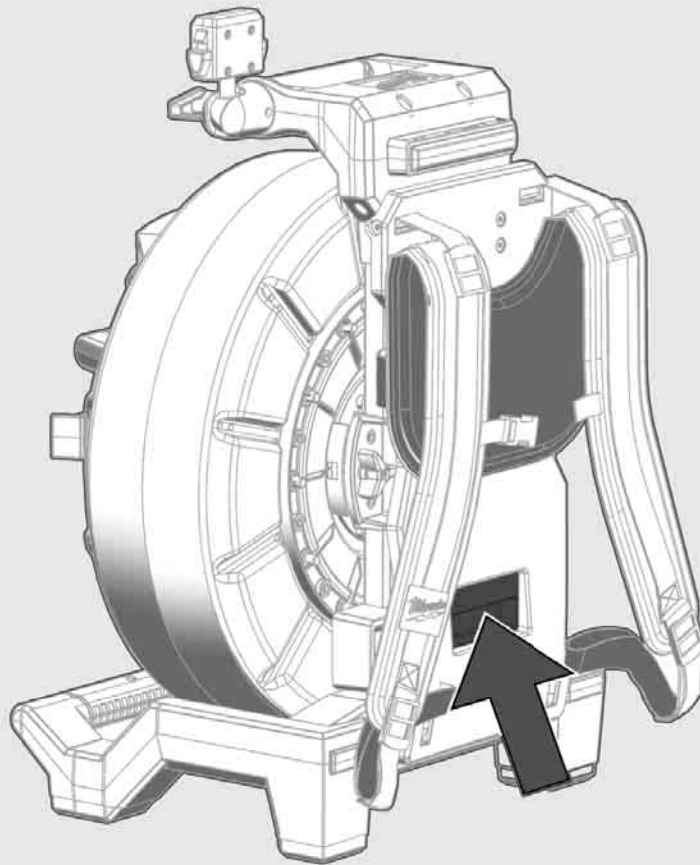
### 3.3 Εγκατάσταση διάταξης μεταφοράς

Το ΤΥΜΠΑΝΟ ΕΠΙΘΕΩΡΗΣΗΣ ΣΩΛΗΝΩΝ M18 SIC36 διαθέτει μια διάταξη μεταφοράς, με την οποία είναι δυνατή η μεταφορά του τυμπάνου στην πλάτη, σαν σακίδιο πλάτης. Με αυτόν τον τρόπο είναι δυνατή η εύκολη μεταφορά του μικρού τυμπάνου στην περιοχή λειτουργίας, κάτι που είναι βολικό ειδικά όταν ανεβαίνετε ή χρησιμοποιείτε σκάλες.

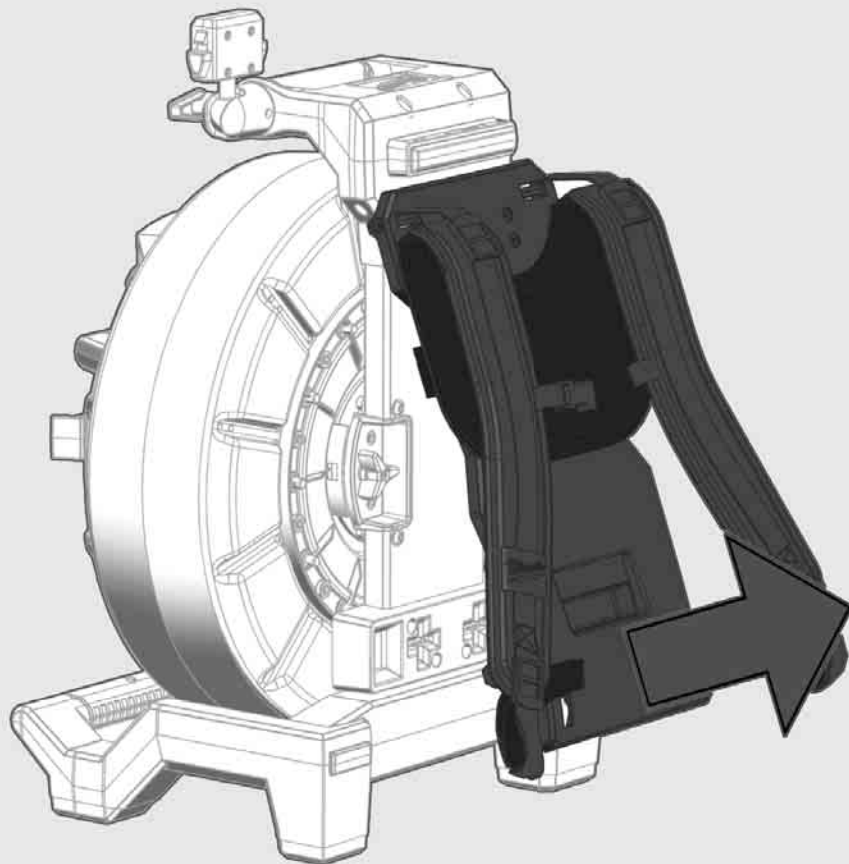


Αναρτήστε τη διάταξη μεταφοράς και πιέστε με τις γροθιές προς τα κάτω, έως ότου η διάταξη μεταφοράς ασφαλίσει. Τραβήξτε ελαφρώς τη διάταξη μεταφοράς για να βεβαιωθείτε ότι έχει κουμπώσει.

**1**

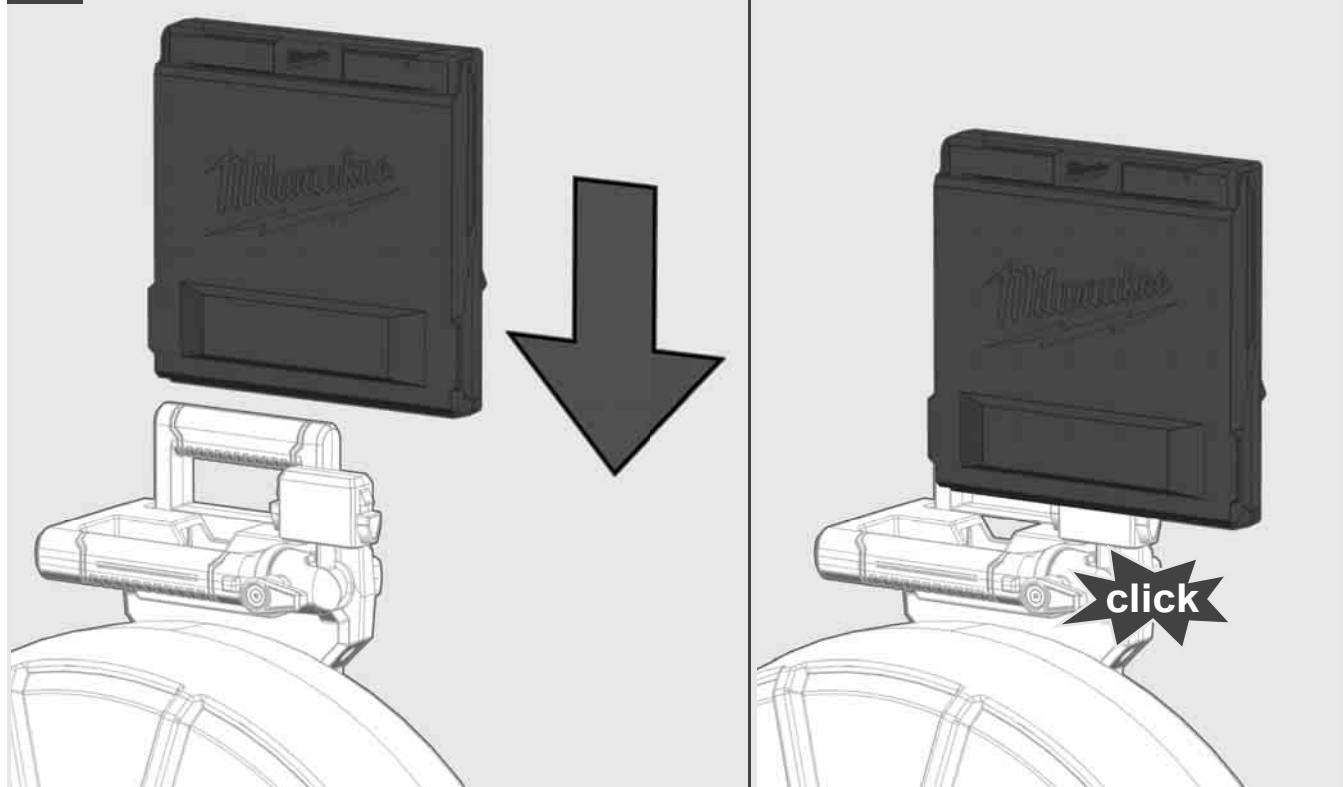


**2**

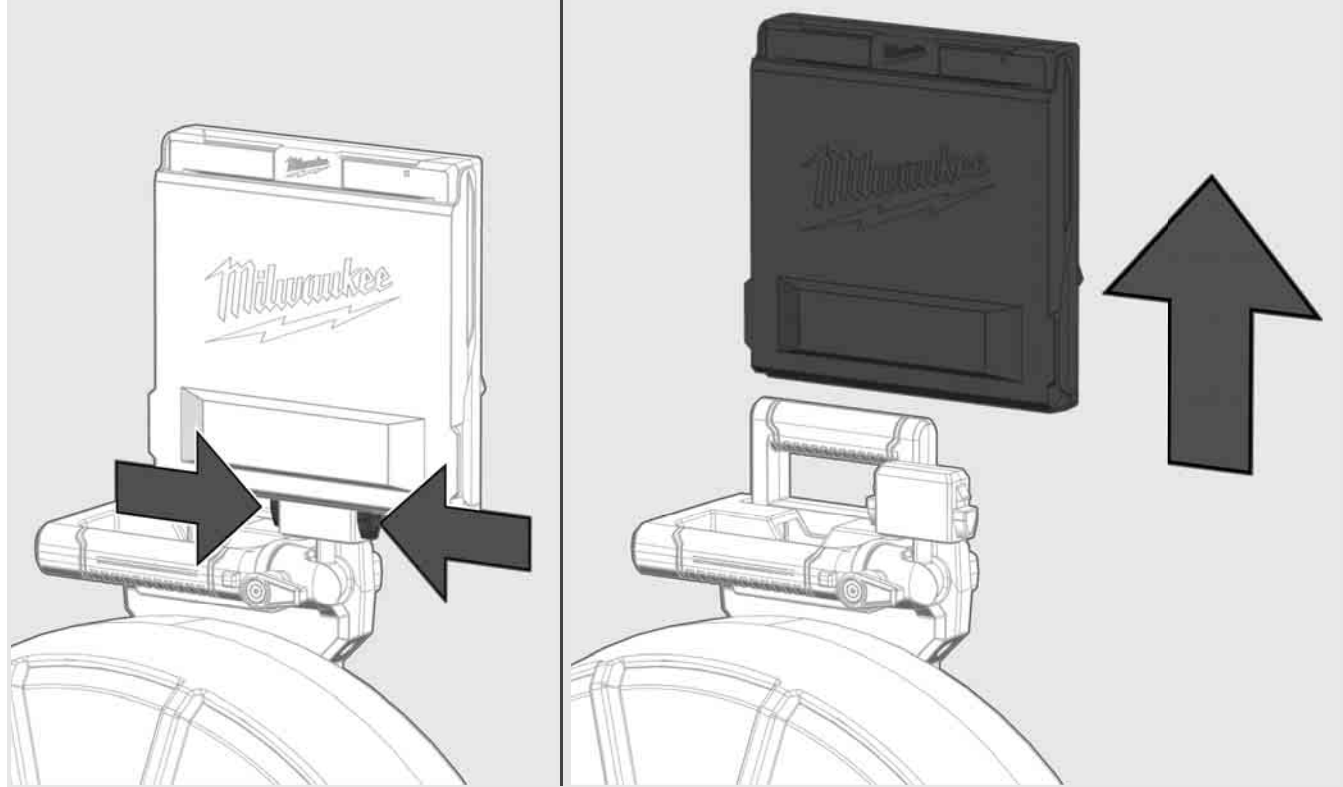


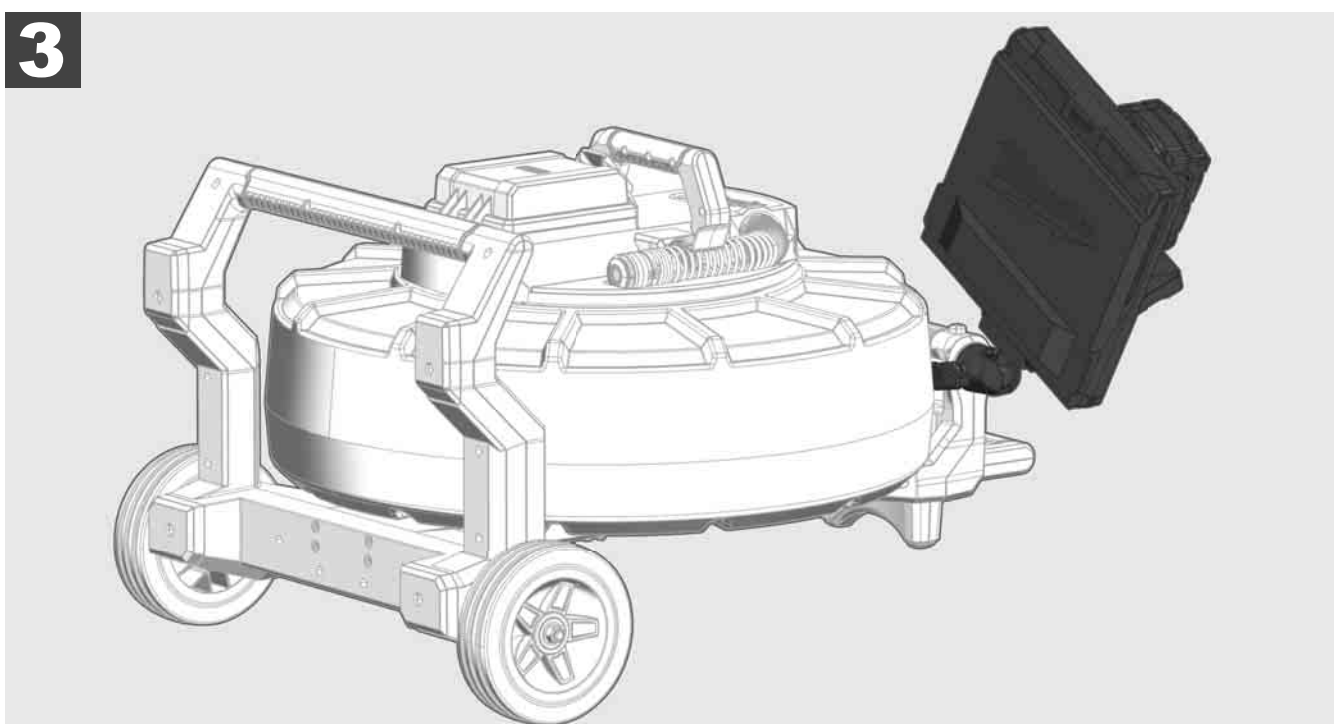
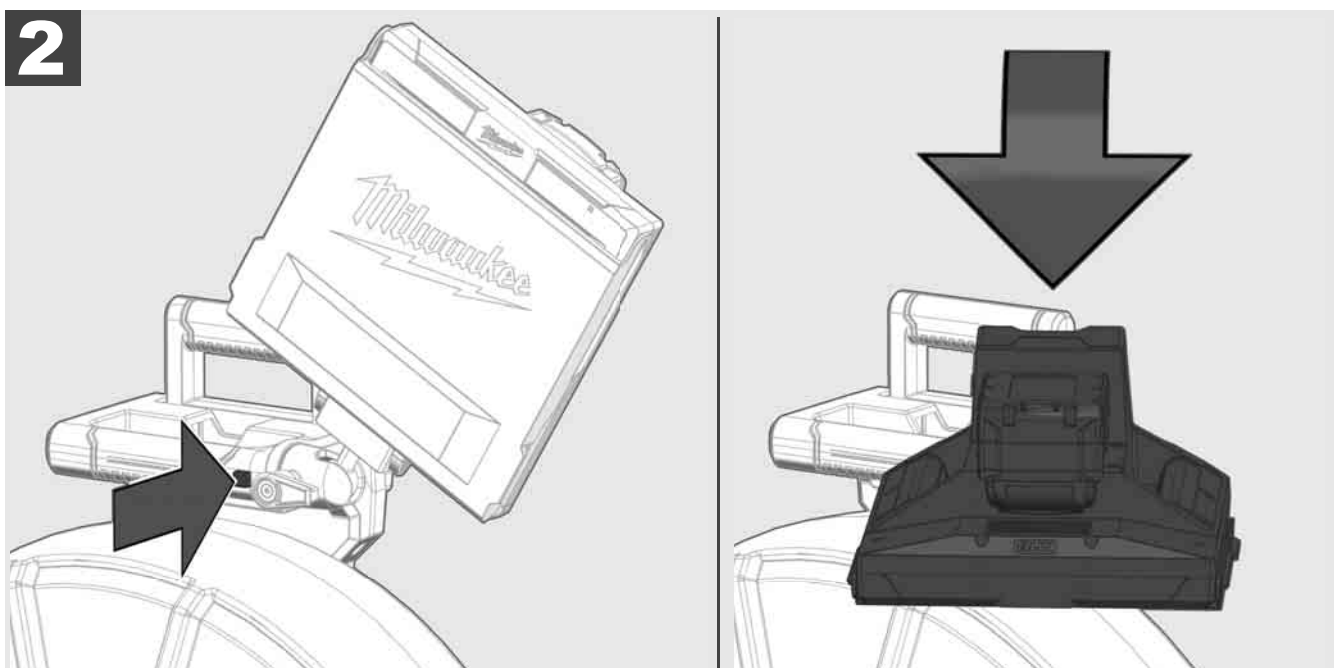
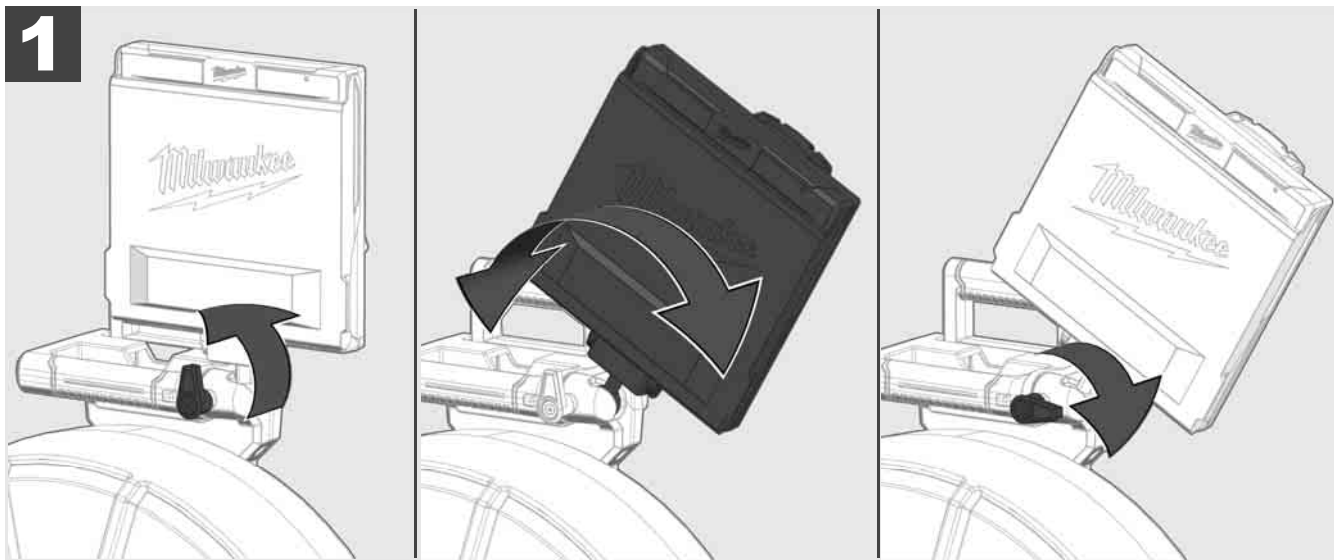


**1**



**2**





### 3.7 Χρήση του τυμπάνου επιθεώρησης σωλήνων



Ελέγξτε το προωθητικό καλώδιο για φθορές – Ελέγξτε το καλώδιο κατά το τύλιγμα για κοψίματα, τσακίσματα και φθορές. Εάν η επένδυση είναι αρκετά φθαρμένη, ώστε να φαίνεται το κίτρινο ή λευκό πλέγμα Kevlar, θα πρέπει να αντικαταστήσετε το προωθητικό καλώδιο. Σε περίπτωση χρήσης ενός προωθητικού καλωδίου με κατεστραμμένη επένδυση είναι δυνατή η διείσδυση νερού και υγρασίας, γεγονός που υποβαθμίζει την ποιότητα των εγγραφών της κάμερας ή μπορεί να οδηγήσει σε δυσλειτουργία της κάμερας.

Το παρακάτω σχήμα εμφανίζει παραδείγματα εξαιρετικά φθαρμένων επενδύσεων. Αυτού του είδους τα προωθητικά καλώδια θα πρέπει να αντικαθίστανται όσο το δυνατόν πιο γρήγορα.

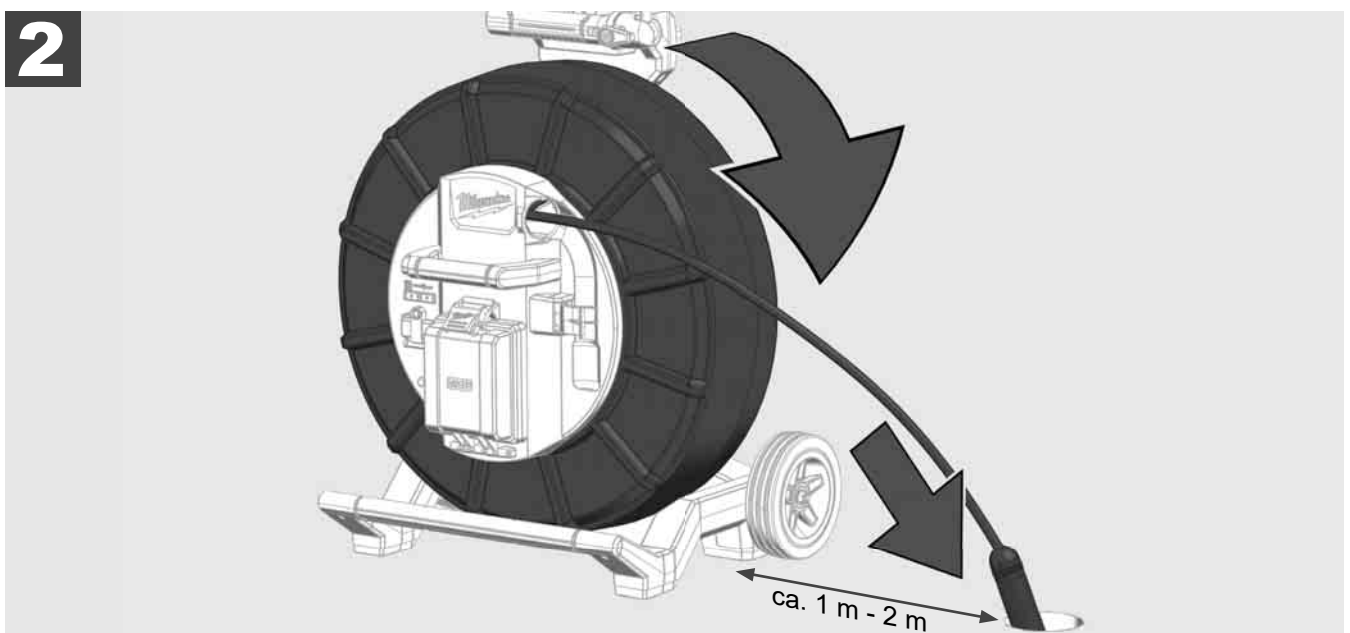
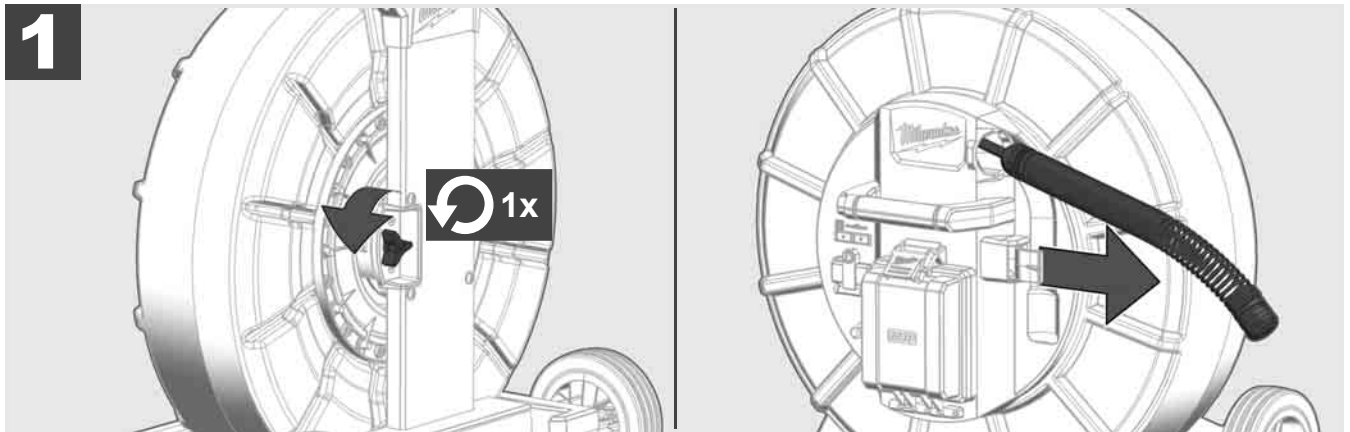


Διατηρείτε το προωθητικό καλώδιο και το συγκρότημα ελατηρίου πάντα στεγνό και καθαρό – Καθαρίζετε πάντα το καλώδιο κατά το τύλιγμα με ένα καθαρό και στεγνό πανί. Στο τέλος μιας ημέρας εργασίας απομακρύνετε με προσοχή τις επικαθίσεις ακαθαρσιών από την κεφαλή της κάμερας και από το ελατήριο, χρησιμοποιώντας άφθονο τρεχούμενο νερό. Ανακινείτε έως ότου στεγνώσουν ή στεγνώστε το περιττό νερό εμφυσώντας πεπιεσμένο αέρα και στη συνέχεια στεγνώστε τα επιμέρους εξαρτήματα. Η κεφαλή της κάμερας, το προωθητικό καλώδιο και τα εξαρτήματα σύνδεσης είναι εκτεθειμένα κατά την καθημερινή χρήση σε δραστικές χημικές ουσίες. Ο προσεκτικός καθαρισμός του συστήματος παρατείνει τη διάρκεια ζωής αυτών των εξαρτημάτων.

Χρησιμοποιείτε με προσοχή το προωθητικό καλώδιο – Μην τραβάτε το προωθητικό καλώδιο από το κλειδωμένο τύμπανο. Σε διαφορετική περίπτωση το καλώδιο συμπιέζεται μέσα στο τύμπανο και δέχεται υπερβολική πίεση. Αντίθετα, η συμπίεση του προωθητικού καλωδίου στο κλειδωμένο τύμπανο μπορεί να προκαλέσει σπάσιμο του καρουλιού ή τσάκισμα του καλωδίου.

Τοποθετήστε το τύμπανο περίπου 1 έως 2 μέτρα μακριά από το σημείο εισόδου σε επίπεδο έδαφος. Με αυτόν τον τρόπο απομένει αρκετός χώρος για τον χειρισμό του καλωδίου, δίχως να σέρνονται στο έδαφος οι βρόχοι του καλωδίου. Εάν είναι απαραίτητο, πατήστε το φρένο τριβής για να επιβραδύνετε την κίνηση του προωθητικού καλωδίου.

Σε περίπτωση χρήσης του τυμπάνου σε οριζόντια θέση, μεγεθύνεται η επιφάνεια μεταξύ των ποδιών. Αυτό προσδίδει στο τύμπανο ευστάθεια σε μη επίπεδη επιφάνεια και περιορίζει το ύψος του, γεγονός που είναι ευεργετικό σε στενούς χώρους.





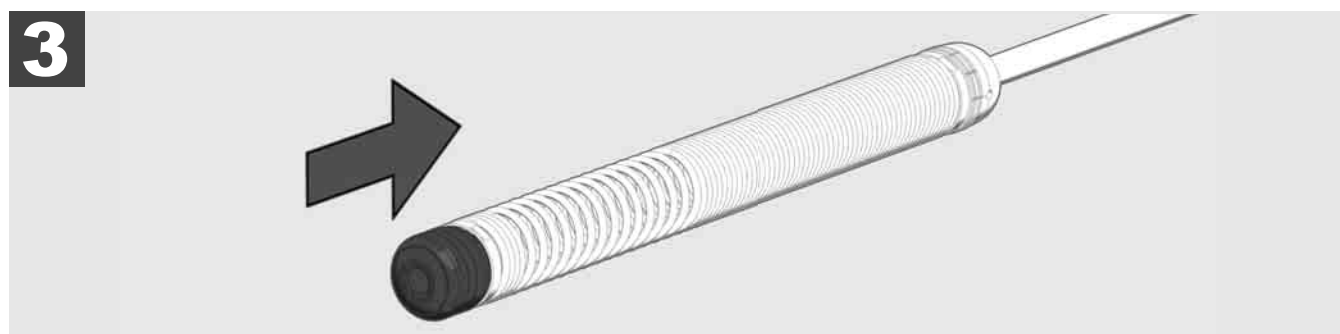
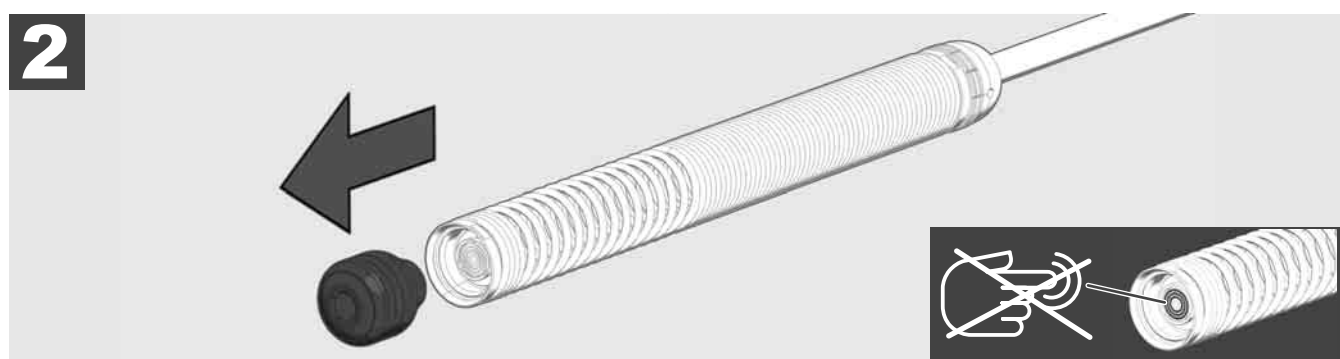
### 3.8 Διάταξη κεφαλής κάμερας



Μην αγγίζετε τον πράσινο πίνακα τυπωμένου κυκλώματος ή τις χρυσές επαφές του συγκροτήματος ελατηρίου, καθώς επίσης και την κεφαλή της κάμερας με γυμνά χέρια, όσο αυτό είναι δυνατόν. Σε διαφορετική περίπτωση το λίπος των δακτύλων μεταφέρεται σε αυτά τα εξαρτήματα, γεγονός που μπορεί να οδηγήσει στην πρόωρη διάβρωσή τους. Εφόσον είναι δυνατόν χρησιμοποιείτε καθαρά και στεγνά λαστιχένια γάντια.

Στεγνώστε την κεφαλή της κάμερας πριν την αφαιρέσετε και απομακρύνετε τα υπολείμματα ρύπων που μπορούν να πέσουν στην περιοχή σύνδεσης της κάμερας.

Μην σφίγγετε και μην εφαρμόζετε υπερβολική δύναμη!



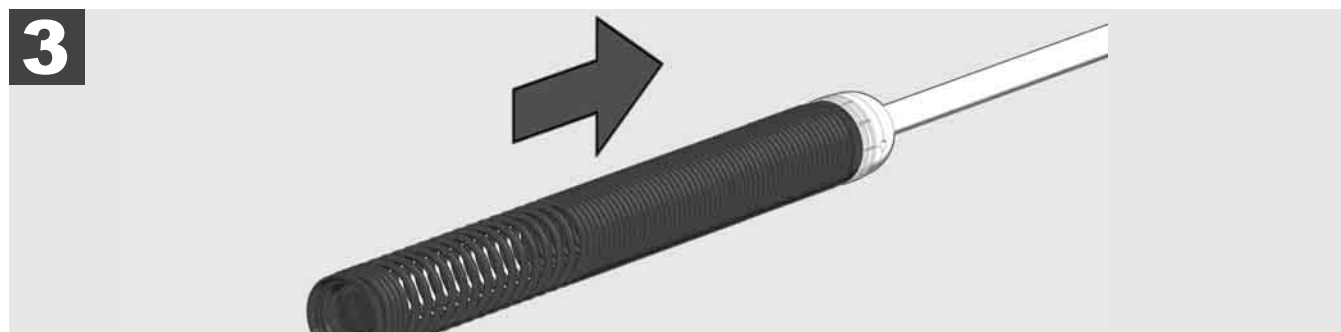
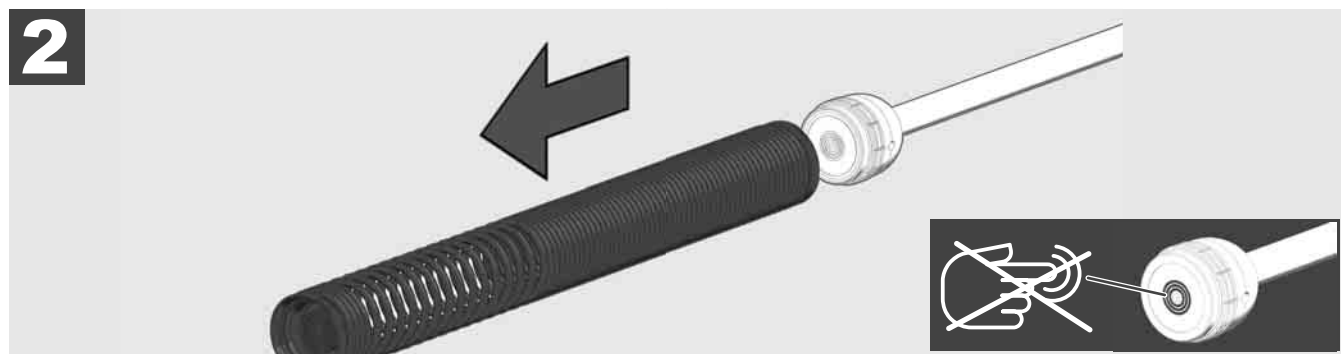
### 3.9 Συγκρότημα ελατηρίου



Μην αγγίζετε τον πράσινο πίνακα τυπωμένου κυκλώματος ή τις χρυσές επαφές του συγκροτήματος ελατηρίου, καθώς επίσης και την κεφαλή της κάμερας με γυμνά χέρια, όσο αυτό είναι δυνατόν. Σε διαφορετική περίπτωση το λίπος των δακτύλων μεταφέρεται σε αυτά τα εξαρτήματα, γεγονός που μπορεί να οδηγήσει στην πρόωρη διάβρωσή τους. Εφόσον είναι δυνατόν χρησιμοποιείτε καθαρά και στεγνά λαστιχένια γάντια.

Στεγνώστε την κεφαλή της κάμερας πριν την αφαιρέσετε και απομακρύνετε τα υπολείμματα ρύπων που μπορούν να πέσουν στην περιοχή σύνδεσης της κάμερας.

Μην σφίγγετε και μην εφαρμόζετε υπερβολική δύναμη!



### 3.10 Κάλυμμα προστασίας κάμερας

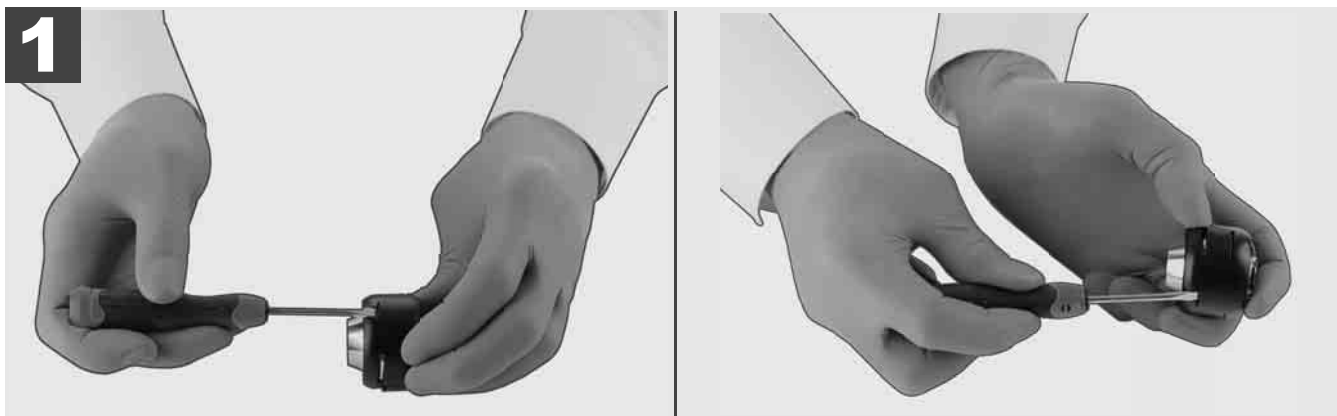


Προστατευτικά καλύμματα – Κατάλληλα για κεφαλές κάμερας με διάμετρο 25 mm ή και 34 mm. Αυτά τα προστατευτικά καλύμματα παραδίδονται συνοδευτικά με όλα τα ΤΥΜΠΑΝΑ ΕΠΙΘΕΩΡΗΣΗΣ ΣΩΛΗΝΩΝ.

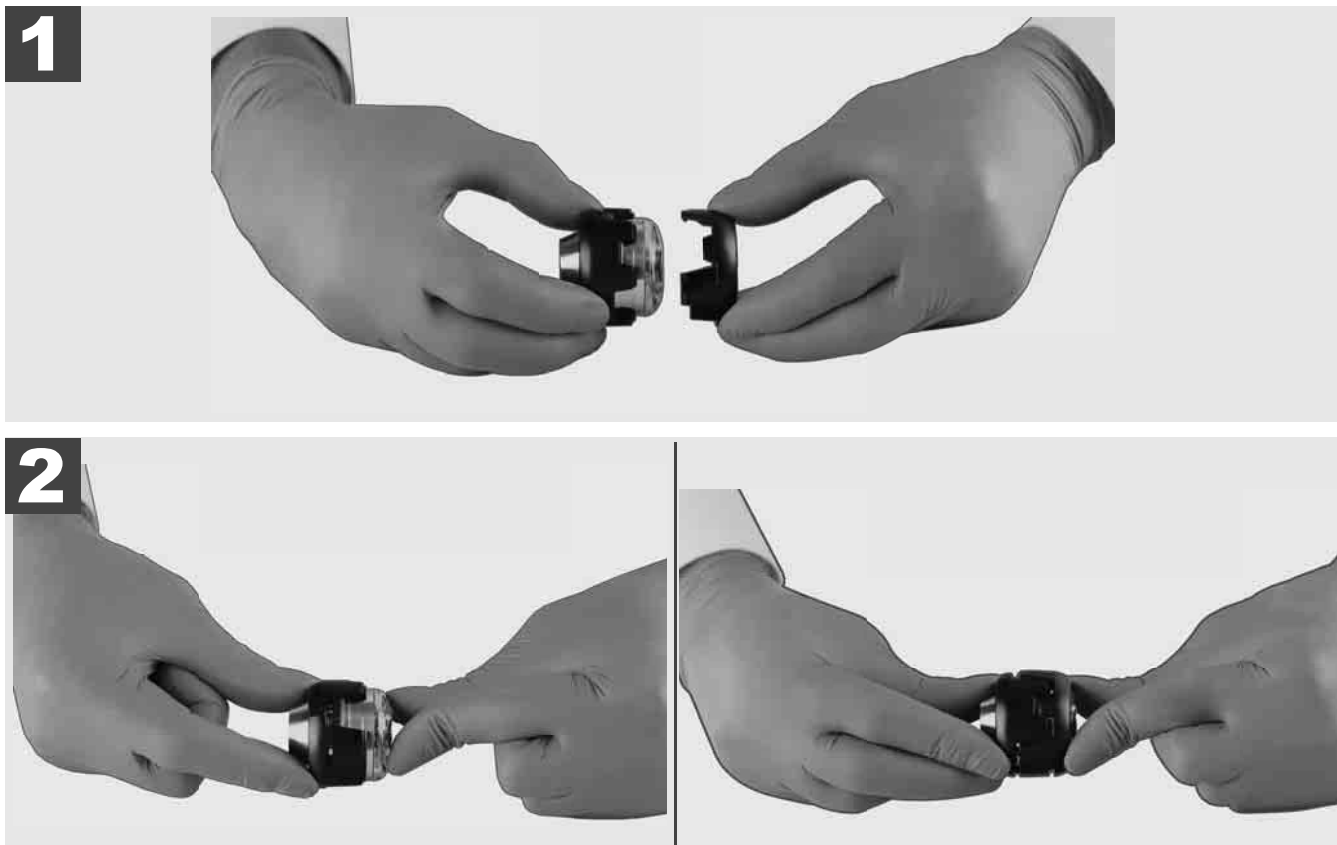
Οδηγοί – Τοποθετούνται στο συγκρότημα ελατηρίου, έτσι ώστε η κεφαλή της κάμερας να κινείται κατά μήκος του εδάφους και να μην έρχεται σε απευθείας επαφή με τον σωλήνα.



#### Αφαίρεση προστατευτικού καλύμματος



#### Εγκατάσταση προστατευτικού καλύμματος



### 3.11 Οδηγοί κάμερας



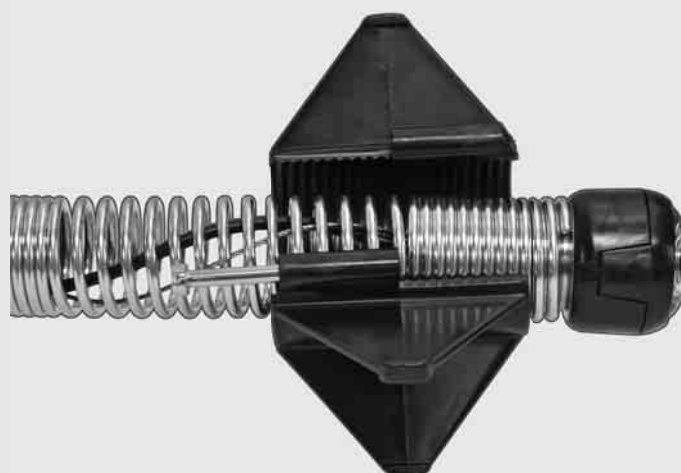
Για τις κεφαλές κάμερας με πλάτος 25 mm ή και 34 mm υπάρχουν διαθέσιμοι δύο οδηγοί: Ένας μικρός οδηγός 75 mm και ένας μεσαίος οδηγός 100 mm.

Οδηγός κάμερας 25 mm

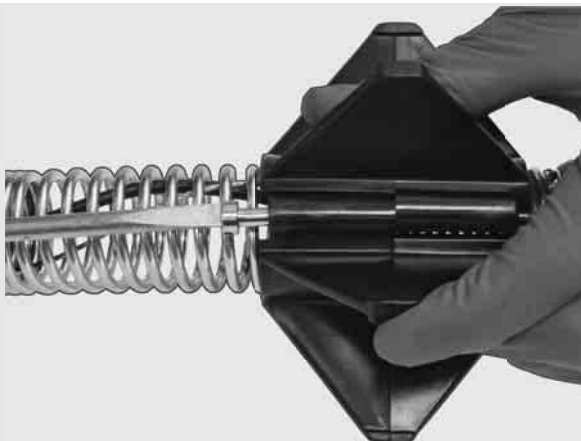
Οδηγός κάμερας 34 mm



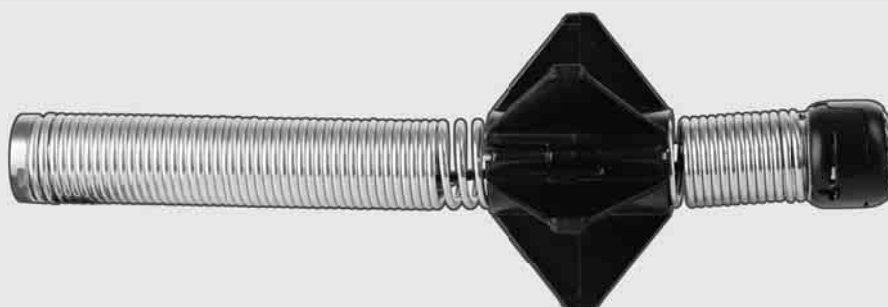
**1**



**2**




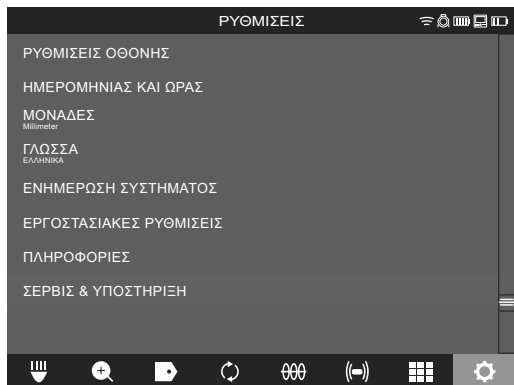
**3**



### 3.12 Σέρβις και Υποστήριξη


Εάν το ΣΥΣΤΗΜΑ ΕΠΙΘΕΩΡΗΣΗΣ ΣΩΛΗΝΩΣΕΩΝ χρήζει επισκευής, μεταβείτε στην ενότητα ΣΕΡΒΙΣ ΚΑΙ ΥΠΟΣΤΗΡΙΞΗ, στη σελίδα Σέρβις για εργαλεία της Milwaukee με όλους τους σημαντικούς αριθμούς τηλεφώνου.

Επιλέξτε **ΡΥΘΜΙΣΕΙΣ**  → **ΣΕΡΒΙΣ ΚΑΙ ΥΠΟΣΤΗΡΙΞΗ**




**Milwaukee**  
Nothing but **HEAVY DUTY**®

click →



**M18 SIC36**  
**M18 SIC60**  
**M18 SISH**

click →



**M18 SIM**

click

1	Genel açıklamalar .....	2
1.1	Boru görüntüleme sistemleri için özel güvenlik talimatları .....	2
1.2	Ek güvenlik ve çalışma talimatları .....	2
1.3	Teknik veriler .....	3
1.4	Amacına uygun kullanım.....	3
1.5	Avrupa kurulumları ile ilgili frekans gereksinimleri .....	3
1.6	AT Uygunluk beyanı .....	4
1.7	ONE-KEY™ .....	4
1.8	Bataryalar.....	4
1.9	Lityum iyon bataryaların taşınması .....	4
1.10	Bakım .....	4
1.11	Semboller .....	5
2	Smart Hub M18 SISH .....	6
2.1	Genel bakış Smart Hub M18 SISH .....	6
2.2	Bataryanın takılması ve çıkartılması .....	7
2.3	Batarya şarjının kontrol edilmesi .....	8
2.4	Smart Hub M18 SISH'nin takılması .....	9
2.5	Smart Hub M18 SISH'nin çıkartılması .....	10
2.6	Açma/Kapatma şalteri .....	11
2.7	Monitörün bağlanması .....	12
2.8	USB portlar.....	13
2.9	Topraklama ucu .....	14
2.10	Uzunluk sayacının sıfırlanması .....	15
2.11	Kamera test bağlantısı .....	16
2.12	Dahili sürücü ve USB flash belleğe format atılması .....	17
2.13	Fabrika ayarları .....	18
2.14	Sistem güncelleme.....	19
3	BORU GÖRÜNTÜLEME TAMBURLARI .....	21
3.1	Genel bakış Boru görüntüleme tamburu M18 SIC36 .....	21
3.2	Genel bakış Boru görüntüleme tamburu M18 SIC60 .....	22
3.3	Taşıma düzeneğinin takılması.....	23
3.4	Taşıma düzeneğinin çıkartılması .....	24
3.5	Uzaktan kumandalı monitör M18 SIM'in takılması .....	25
3.6	Uzaktan kumandalı monitör M18 SIM'in ayarlanması .....	26
3.7	Boru görüntüleme tamburunun kullanımı .....	27
3.8	Kamera başı grubu .....	28
3.9	Yay grubu .....	29
3.10	Kamera koruma kapağı .....	30
3.11	Kamera kılavuzları .....	31
3.12	Servis ve Destek .....	32

## 1.1 Boru görüntüleme sistemleri için özel güvenlik talimatları

Boruların içindeki çalışmalarda, boruların üzerinde voltaj olmamasına veya elektrik yüklü olmamasına dikkat edin. Boruların içinde sıvı maddelerin bulunmaması gerekir. Kamera ve cihaz sıvı maddeler ile temas etmemelidir.

Kamera ve kablonun yağ, gaz veya başka korozyon maddelerle temas etmesi uygun değil.

Patlama, elektrik çarpması ve maddi zarar riskini azaltmak için bütün çalışmalardan önce çalışma alanını daima kontrol edin. Kablo elektrikli bileşenler, kimyasallar veya hareketli parçalar ile temas etmemelidir.

Cihazda hasar riskini azaltmak için aşırı güç uygulamayın ve kabloyu bükmeyin. Kontrol kamerasını ve kabloyu, aşındırıcı veya yağlı maddelerle temas edebilecek alanlarda kullanmayın.

Kabloyu tıkanıklıkları veya engelleri gidermek için kullanmayın. Bu bir boru temizleme aleti değildir!

Kontrol edilecek atık su borusunda kimyasal maddeler, bakteriler veya başka zehirli maddeler veya enfeksiyonlara neden olan mikrop bulunma ihtimali varsa, üretici tarafından tavsiye edilen koruyucu eldivenlerden lateks veya kauçuktan olanları ve koruyucu gözlük, yüz maskesi, koruyucu giysi ve solunumu koruyucu maske kullanın. Boru devreleri, zehirli veya enfeksiyonlara neden olan mikroplar ve ağır yanıklara veya başka ağır yaralanmalara neden olabilen kimyasal maddeler, bakteriler veya başka maddeler içerebilirler.

Hijyen talimatlarına dikkat edin. Cihazla çalışırken yemek yemeyin veya sigara içmeyin. Boru görüntüleme sistemini kullandıktan veya sistemle çalıştıktan sonra, elleriniz ve diğer vücut kısımlarınız borunun içindeki maddelerle temas ettiyse, bunları her zaman sıcak su ve sabunla yıkanması gerekmektedir. Böylece zehirli veya enfeksiyonlara neden olan mikroplarla temastan dolayı oluşan sağlık risklerini önlemiş olursunuz.

Kullanımdan önce kabloyu aşınma izleri ve hasarlar yönünden kontrol edin. Aşınmış veya hasarlı kabloyu cihazı kullanmadan önce değiştirin.

**DİKKAT!** Boru görüntüleme sistemi taşıma düzeneğiyle sırtta taşınırken dikkatli olunması gerekmektedir. Dengenizi kaybedebilirsiniz.

Cihazı her zaman temkinli ve dikkatli kullanın. Bütün tehlikeli durumların önceden kestirilmesi mümkün değildir. Bu cihazı, elinizdeki bu kılavuzu anlamadığınızda veya bu işi yerine getirmede zorluk çektiğinizde kullanmayın. Ayrıca bilgiler veya eğitim almak için Milwaukee veya vasıflı bir uzmana başvurun.

Etiket ve model levhalarını yerlerinden sökmeyin. Bu levhalar üzerinde önemli bilgiler bulunmaktadır. Uyarı levhaları okunaksız bir duruma geldiyse veya kaybolduysa, ücretsiz olarak yenilerini alabilmek için MILWAUKEE Müşteri Servisine başvurun.

Taşlama, kesme makineleri, matkaplar ve inşaat işlerinden dolayı oluşan bazı tozlar kanserojen olabilen, doğum hasarlarına neden olabilen veya üremeyi etkileyebilen kimyasal maddeler içerebilirler. Bu tür kimyasal maddeler için örnekler:

- Kurşun temelli boyalarda kurşun,
- tuğla taşlar, çimento veya başka duvarcılık ürünlerinde kristalin silisyum dioksit ve de
- kimyasal olarak işlenmiş inşaat kerestelerinde arsenik veya krom.

Maruz kalma riski bu tür işleri ne kadar sık yaptığınıza bağlıdır. Maruz kalma riskini mümkün olduğu kadar düşük tutmak için daima iyi havalandırılmış alanlarda çalışın. Örneğin mikro partikül filtreli toz maskeleri gibi resmi ruhsatlı koruyucu donanım kullanınız.

## 1.2 Ek güvenlik ve çalışma talimatları

Aletin dış yüzeyi ıslak olduğunda bataryayı değiştirmeyin.

Kullanılmış bataryaları yakmayın veya ev çöpüne atmayın. Yetkili Milwaukee satıcıları kullanılmış bataryaların çevreye zarar vermeyecek şekilde imha edilmesi hizmeti sunmaktadır.

Bataryaları metal cisimlerle bir arada muhafaza etmeyin (kısa devre tehlikesi).

M18 sistemli bataryaları sadece M18 sistemli şarj aletleriyle şarj ettirin. Başka sistemlere ait bataryalar kullanmayın.

Aşırı yük veya aşırı sıcaklıklarda hasar gören bataryalardan batarya sıvısı akabilir. Batarya sıvısıyla temas halinde, ilgili yeri derhal su ve sabunla yıkayın. Gözle temas halinde gözleri derhal en az 10 dakika süreyle iyice yıkayın ve hemen bir doktora gidiniz.

**Uyarı!** Bir kısa devreden kaynaklanan yangın, yaralanma veya ürün hasarları tehlikesini önlemek için cihazı, bataryayı veya şarj cihazını asla sıvıların içine daldırmayın ve içlerine sıvı girmesini önleyin. Tuzlu su, belirli kimyasallar, aşındırıcı madde veya aşındırıcı madde içeren ürünler gibi korozyona neden olan veya iletken sıvılar kısa devreye neden olabilir.

Bu cihaz, fiziksel, duyuşsal veya zihinsel yetenekleri yetersiz veya tecrübe veya bilgi eksikliği olan insanlar tarafından kullanılmaz veya temizlenemez. Kendilerine yasalar gereği güvenliklerinden sorumlu olan bir kiři tarafından cihazın güvenli řekilde kullanımının öğretilmiř olması durumu hariçtir. Yukarıda anılan kiřiler, cihazı kullandıkları sırada gözetim altında tutulmalıdır. Bu cihaz çocuklardan uzak tutulmalıdır.

Kullanılmadıđında güvenli bir řekilde ve çocukların erişemeyeceđi bir yerde muhafaza edilmelidir.

### 1.3 Teknik veriler

	M18 SIC36	M18 SIC60	M18 SISH
Kamera kablosu uzunluđu.....	36 m.....	60 m.....	
Kamera baři.....	ø 25 mm.....	ø 34 mm.....	
Max. büyütm.....	4x.....	4x.....	
Batarya voltajı.....			18 V
EPTA prosedürü 01/2014 uyarınca ađırlık (4.0 Ah / 12 Ah).....	12,4 kg.....	20,46 kg.....	5,37 kg
Bluetooth frekans bandı (frekans bantları).....			2402-2480 MHz
Yüksek frekans gücü.....			1,8 dBm
Bluetooth sürümü.....			4.0 BT sinyal modu
Çalıřma için tavsiye edilen ortam sıcaklığı.....		-18 .....	+50 °C
Tavsiye edilen batarya tipleri.....		M18B.....; M18HB.....	
Tavsiye edilen řarj aletleri.....		M12-18C, M12-18AC, M12-18FC, M1418C6	

### 1.4 Amacına uygun kullanım

Boru görüntüleme sistemi boru hatlarının görüntülenmesi ve incelenmesi için tasarlanmıřtır. Sistem üç modülden oluřmaktadır:

#### - Boru görüntüleme tamburu M18 SIC36 veya M18 SIC60

Boru görüntüleme tamburu ittirmeli kablonun sarılması ve çözülmesi ve de kontrol edilmesi içindir. Tamburlar iki farklı boyutta temin edilebilir: M18SIC36 çapları 50 mm ile 150 mm arası borular ve en büyük model M18SIC60 çapları 75 mm ile 250 mm arası olan borular içindir.

Her iki tambur, üzerinde yay grubuyla birlikte otomatik hizalamalı kamera bařının bulunduđu bir ittirmeli kablo içermektedir. Uzaktan kumandalı monitör M18 SIM ve Smart Hub M18 SISH her iki tambur ile birlikte kullanılabilir.

Her iki tambur hem dikey hem de yatay olarak kullanılabilir. M18 SIC36 modelinin arka tarafına, cihazı sırtta taşımak için bir taşıma düzeneđi tutturulabilir.

#### - Smart Hub M18 SISH

Smart Hub M18 SISH boru görüntüleme sistemini kontrol etmek için tasarlanmıřtır.

Uzaktan kumandalı monitör M18 SIM veya üzerinde Milwaukee® boru görüntüleme uygulamasının yüklendiđi tablet, video kayıtlarını ve resimleri almak için Smart Hub M18 SISH ile bađlanır. Hem videolar hem de resimler Smart Hub M18 SISH'nın dahili sürücüsü üzerine kaydedilir.

#### - Uzaktan kumandalı monitör M18 SIM (teslimat kapsamına dahil deđil; ayrıca satın alınabilir)

Uzaktan kumandalı monitör M18 SIM, kamera bařının kaydettiđi videoların izlenmesini, video ve resimlerin kaydedilmesini ve de video ve resim dosyalarının izlenmesini sađlamaktadır. Video kaydı sırasında dahili mikrofon üzerinden konuřulan yorumlar kaydedilebilir. „Etiketler“ fonksiyonu üzerinden de yorum metinleri eklenebilir. Yorum metinleri kaydedilen video içinde gösterilir ve tarih, saat ve çözölen kablo uzunluđu ile birlikte resimler üzerinde gösterilir.

Bu cihaz sadece belirtilmiř olan amacına uygun olarak kullanılabilir.

### 1.5 Avrupa kurulumları ile ilgili frekans gereksinimleri

Açıklama: Bu cihaz test edilmiřtir ve EN 300 440 V2.1.1 standardı kategori 3 bir alıcının sınır deđerlerine uygundur.

Bu sınır deđerler ile konut binalarında radyo parazitlerine karşı uygun bir korumanın sađlanması istenmektedir.

Bu cihaz, 2402 ile 2480 MHz frekans aralıđında radyo dalgaları yayan bařka cihazlar üzerinde etkilidir. Bu yüzden uzaktan kumandanın kullanımı sırasında arızalar oluřabilir. Belirli durumlarda arızaların kalıcı olması mümkündür. Bu cihazın bařka cihazların radyo sinyallerinden etkilenip etkilenmediđini tespit etmek için, diđer cihazları kısa bir süre için kapatın ve kapatıldıđında arızanın kaybolup kaybolmadıđını kontrol edin. Ařađıdaki önlemler arızaların giderilmesine yardımcı olabilir:

- Arıza kaynađını kapatın.
- Arıza kaynađına mesafeyi artırın.
- Yetkili bir satıcıya veya vasıflı bir radyo teknisyenine danıřın.



## 1.6 AT Uygunluk beyanı

Techtronic Industries GmbH şirketi işbu suretle M18SISH modeli radyo ekipmanının 2014/53/AB sayılı direktife uygun olduğunu beyan eder. AB Uygunluk Beyanının tam metninin bulunduğu internet adresi: <http://services.milwaukeetool.eu>

## 1.7 ONE-KEY™

Bu cihazın ONE-KEY fonksiyonelliği hakkında daha fazla bilgi edinmek için yanında bulunan kısa kullanma kılavuzunu okuyun veya [www.milwaukeetool.com/one-key](http://www.milwaukeetool.com/one-key) adresindeki internet sitemizi ziyaret edin. ONE-KEY uygulamasını App Store veya Google Play üzerinden akıllı telefonunuza yükleyebilirsiniz.

Elektrostatik deşarj durumunda bluetooth bağlantısı kesilir. Bu durumda bağlantıyı manuel olarak tekrar oluşturun.

Bu cihaz EN 55014-2:2015 / EN 301489-1 V2.2.3 / EN 301489-17 V3.1.1 standartlarının asgari taleplerini yerine getirmektedir.

### ONE-KEY™ göstergesi

Mavi yanan lamba: Radyo bağlantısı aktif ve ONE-KEY™ uygulaması üzerinden ayarlanabilir.

Mavi yanıp sönen lamba: Cihaz ONE-KEY™ uygulaması ile iletişimde.

Kırmızı yanıp sönen lamba: Cihaz güvenlikle ilgili nedenlerden dolayı bloke edildi ve bloke durum ONE-KEY™ uygulaması üzerinden kullanıcı tarafından kaldırılabilir.

## 1.8 Bataryalar

Uzun süre kullanılmamış olan bataryaları kullanmadan önce şarj ettirin.

50°C üzerindeki sıcaklıklar bataryanın verimini azaltır. Güneş ışınları veya kaloriferden dolayı uzun süre ısıya maruz kalmasından kaçının.

Şarj aletinin ve bataryadaki kontakları temiz tutun.

Mümkün olduğu kadar uzun bir dayanma ömrü için bataryanın kullanımdan sonra tamamıyla şarj ettirilmesi zorunludur.

Uzun bir dayanma ömrü için batarya, şarj edildikten sonra şarj cihazından çıkartılmalıdır.

Batarya 30 günden fazla muhafaza edildiğinde:

Bataryayı 27°C altındaki sıcaklıkta ve kuru bir yerde muhafaza edin.

Bataryayı yakl. %30-%50 oranında şarj edilmiş olarak muhafaza edin.

Bataryayı her 6 ayda bir tekrar şarj ettirin.

## 1.9 Lityum iyon bataryaların taşınması

Lityum iyon bataryalar tehlikeli maddelerin taşınmasıyla ilgili yasal hükümlere tabidir.

Bu bataryaların bölgesel, ulusal ve uluslararası yönetmeliklere ve hükümlere uyularak taşınması zorunludur.

- Tüketiciler bu bataryaları herhangi bir özel şart aranmaksızın karayoluyla taşıyabilirler.
- Lityum iyon bataryaların nakliye şirketleri tarafından ticari taşımacılığı için tehlikeli madde taşımacılığının hükümleri geçerlidir.

Sevk hazırlıkları ve taşıma sadece ilgili eğitimi görmüş personel tarafından gerçekleştirilebilir. Bütün süreç uzmanca bir refakatçilik altında gerçekleştirilmek zorundadır.

Bataryaların taşınması sırasında aşağıdaki hususlara dikkat edilmesi gerekmektedir:

- Kısa devre oluşmasını önlemek için kontakların korunmuş ve izole edilmiş olmasından emin olun..
- Bataryanın ambalajı içinde kaymamasına dikkat edin.
- Hasarlı veya sıvıları sızan bataryaların taşınması yasaktır.

Ayrıca açıklamalar için nakliye şirketinize başvurun.

## 1.10 Bakım

Sadece Milwaukee aksesuarları ve Milwaukee yedek parçalarını kullanın. Değişirme işlemi tarif edilmeyen parçaların bir Milwaukee müşteri servisi tarafından değiştirilmesini sağlayın (Garanti/Müşteri Servisi adresleri broşürüne dikkat edin).

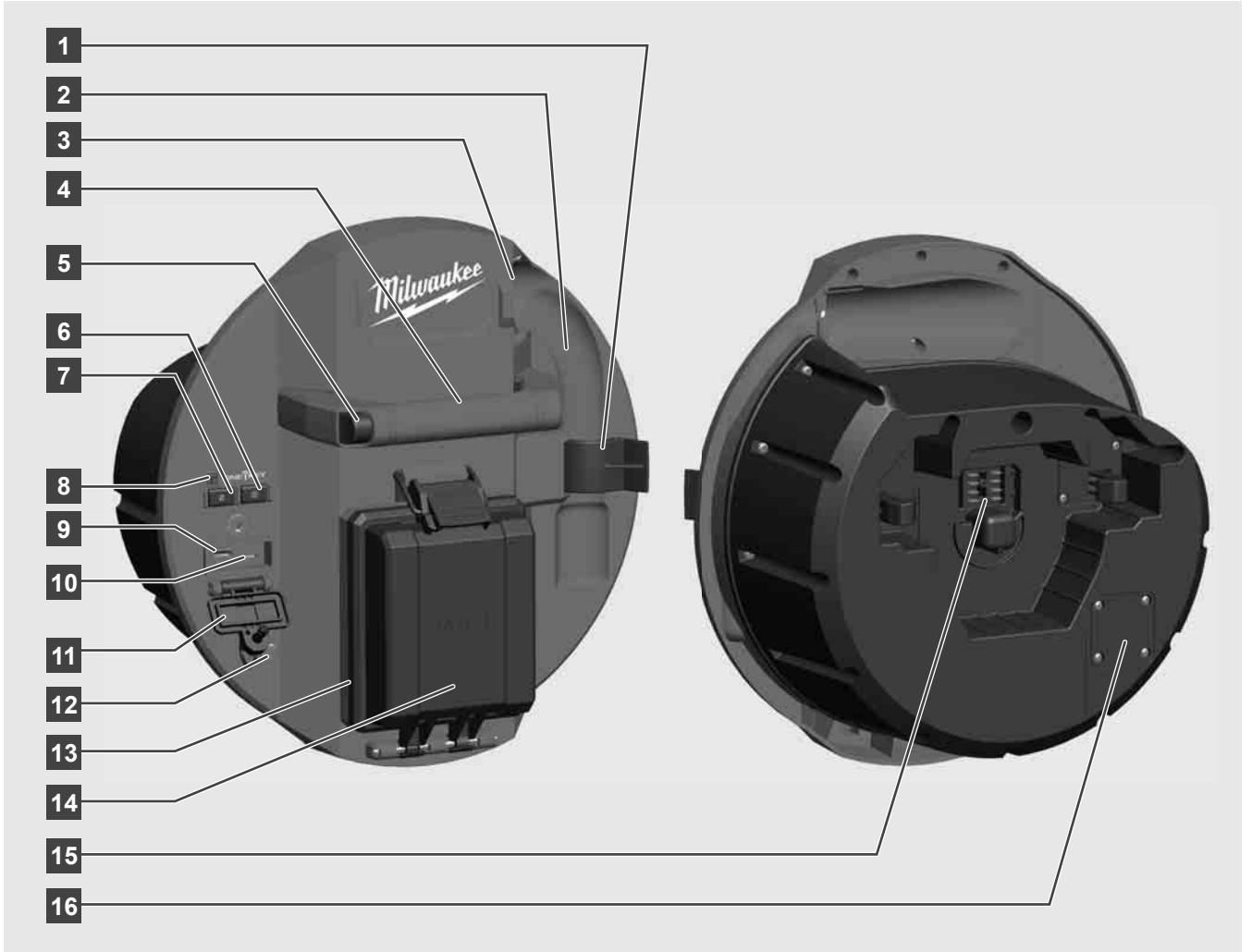
Gerektiğinde, makine modeli ve güç levhası üzerindeki altı haneli rakam belirtilerek müşteri servisinden veya doğrudan Techtronic Industries GmbH, Max-Eyth-Straße 10, 71364 Winnenden adresinden bir ayrıntılı çizim talep edilebilir.

## 1.11 Semboller

	DİKKAT! İKAZ! TEHLİKE!
	Cihaz üzerindeki her türlü çalışmalardan önce bataryayı çıkarın.
	Cihazı çalıştırmadan önce lütfen bu kılavuzu dikkatle okuyun.
	Koruyucu eldiven giyin!
	Cihazla çalışırken daima bir koruyucu gözlük takın.
	Elektrikli cihazların, pillerin/bataryaların evsel atıklarla birlikte bertaraf edilmesi yasaktır. Bertaraf edilecek elektrikli cihazlar ve bataryalar ayrılarak biriktirilmeli ve çevreye zarar vermeden bertaraf edilmeleri için bir atık değerlendirme tesisine götürülmelidirler. Yerel makamlara veya satıcınıza geri dönüşüm tesisleri ve atık toplama merkezlerinin yerlerini danışınız.
	Voltaj
	Doğru akım
	Avrupa uyumluluk işareti
	Britanya Uygunluk İşareti
	Ukrayna uyumluluk işareti
	Avrasya uyumluluk işareti

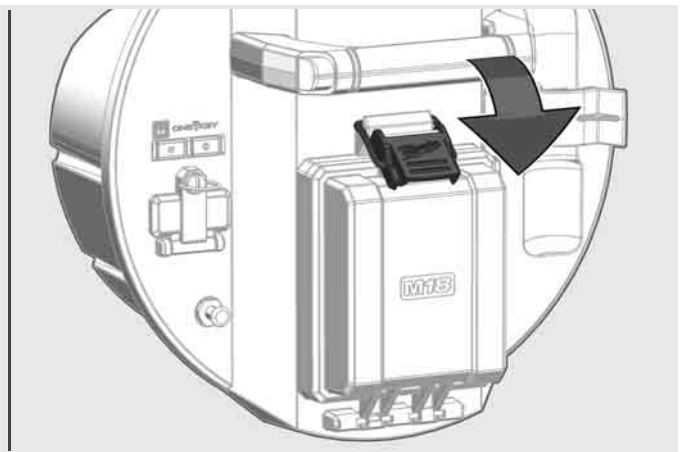
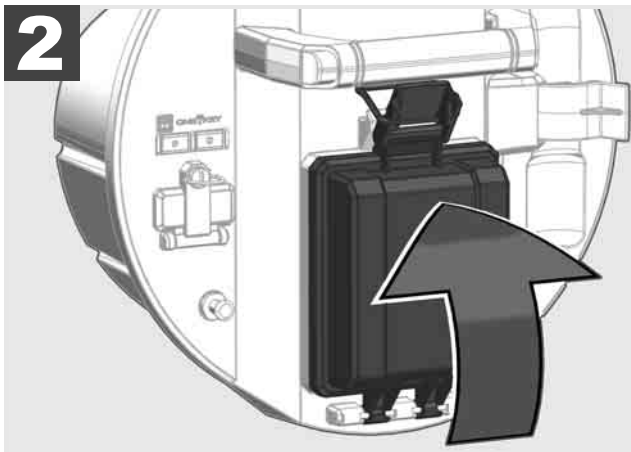
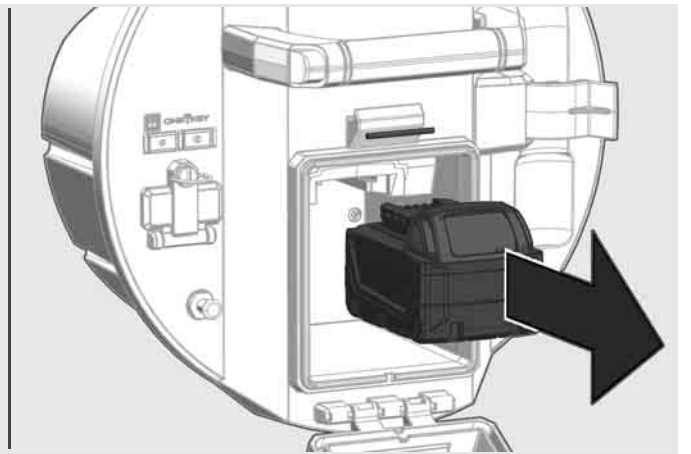
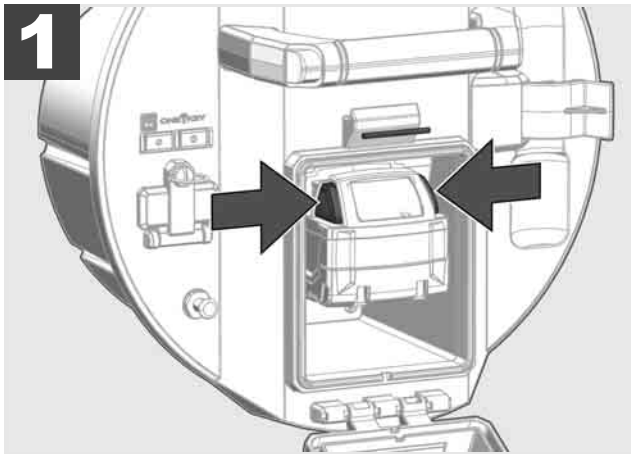
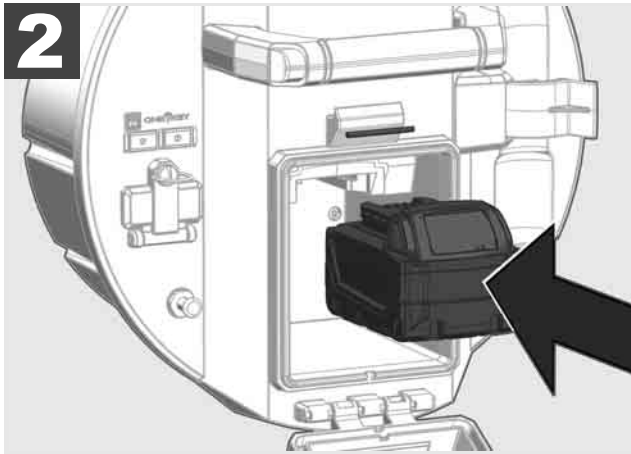
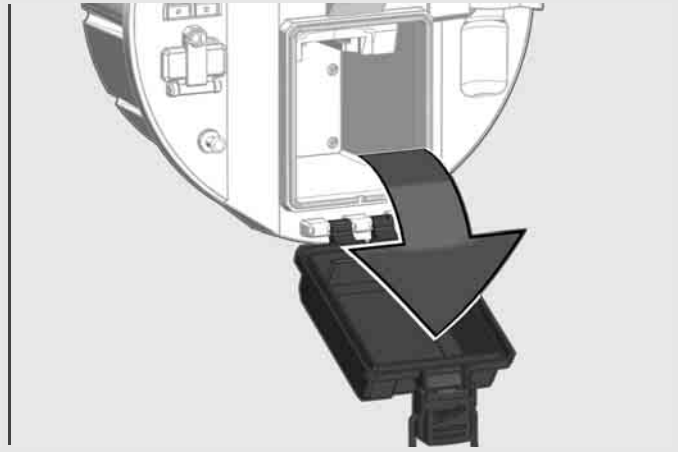
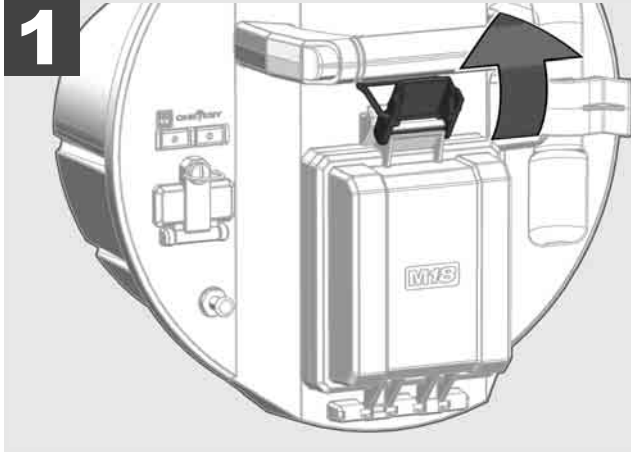
## 2 SMART HUB M18 SISH

### 2.1 Genel bakış Smart Hub M18 SISH

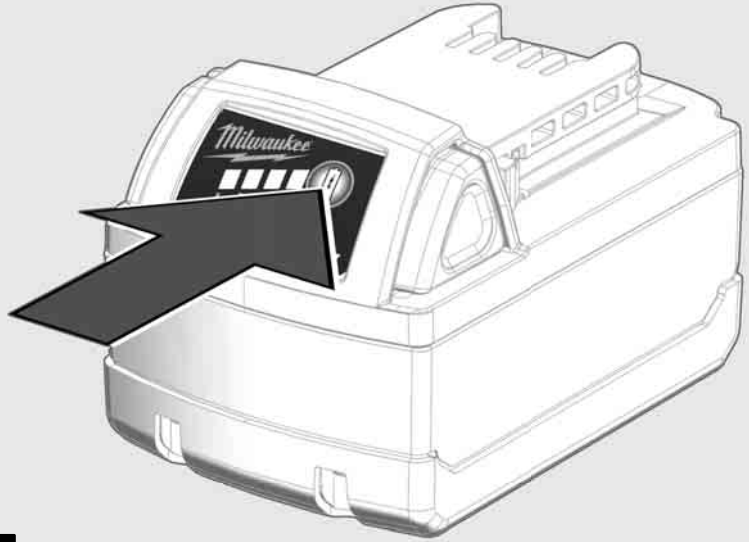


- 1 Yay sabitleme klipsi - Yayın ve kameranın taşınma sırasında sabitlenmesi için.
- 2 Yay yuvası - Yayın ve kameranın taşınma ve muhafaza edilme sırasında yerinde durmasını sağlar.
- 3 Kablo kılavuzu - Smart Hub'ın yerine oturmasından önce yayı ve ittirmeli kabloyu kılavuzun içinden geçirin.
- 4 Kulp
- 5 Kilit açma tuşu - Smart Hub'ı boru görüntüleme tamburundan ayırmak için bu düğmeye basın.
- 6 Ana şalter - Cihazı çalıştırmak için bir defa basın; cihazı kapatmak için basılı tutun.
- 7 Kablo uzunluğunu sıfırlama düğmesi - Çözülmüş kablounun uzunluğunu sıfırlar.
- 8 ONE-KEY LED göstergesi
- 9 USB-A port – Video ve resimlerin doğrudan kaydedilmesi ve firmware güncellemeleri için.
- 10 USB-C port – Uzaktan kumandalı monitör M18 SIM ile Smart Hub'ın birbirine bağlanması için opsiyonel güç ve veri bağlantısı.
- 11 USB bağlantıları kapağı - USB bağlantılarını toz ve nemden koruyan su geçirmez kapak.
- 12 Topraklama ucu - Smart Hub'ın ittirmeli kablonun takip edilmesi sırasında topraklanması için.
- 13 Batarya kapağı - Bataryayı toz ve nemden koruyan su geçirmez kapak.
- 14 Batarya bölümü – M18™ batarya için
- 15 Smart Hub ile boru görüntüleme tamburunu birbirine bağlamak için bağlantı.
- 16 Kamera test bağlantısı - Kamera başında sorun olduğunda hatayı gidermek için

## 2.2 Bataryanın takılması ve çıkartılması



## 2.3 Batarya şarjının kontrol edilmesi



78-100 %



55-77 %



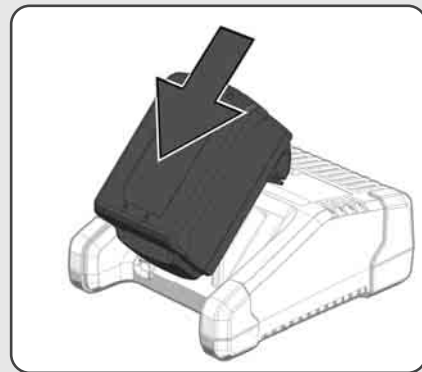
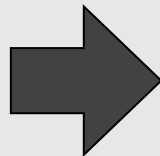
33-54 %

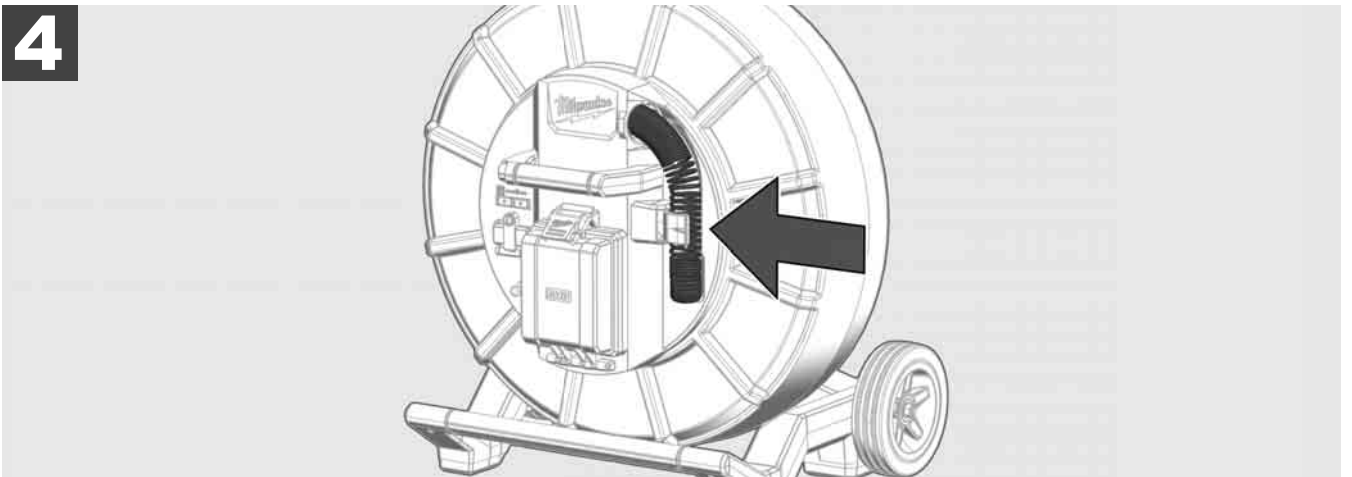
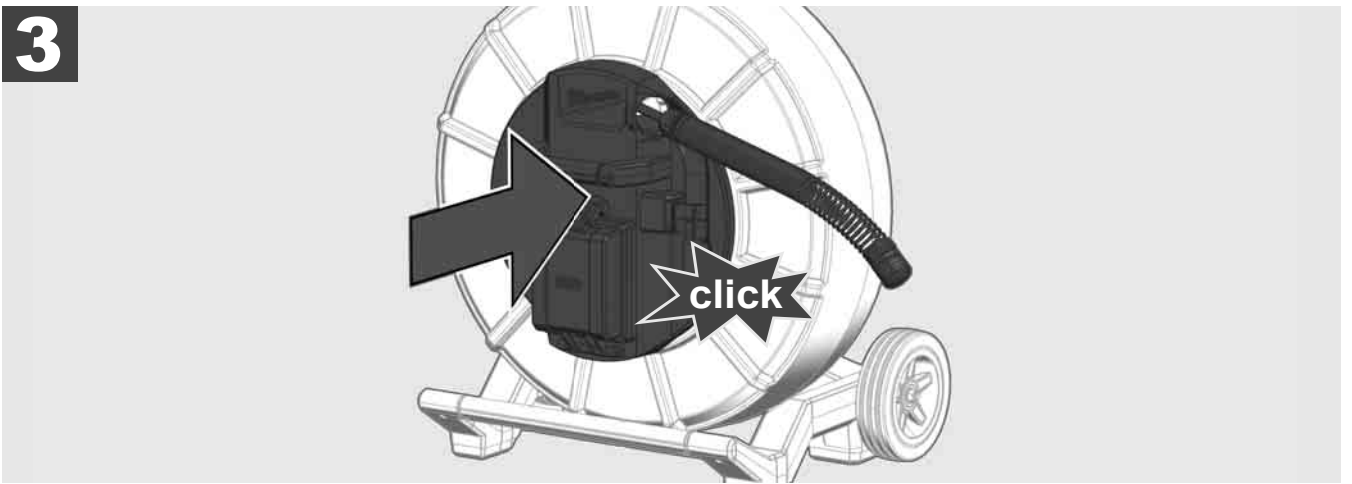
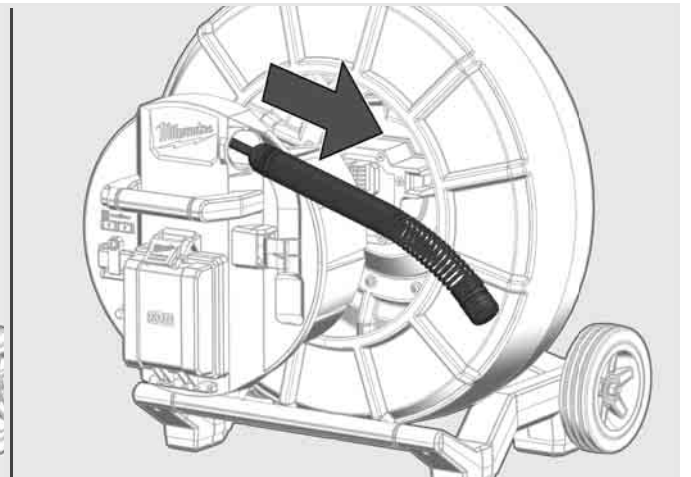
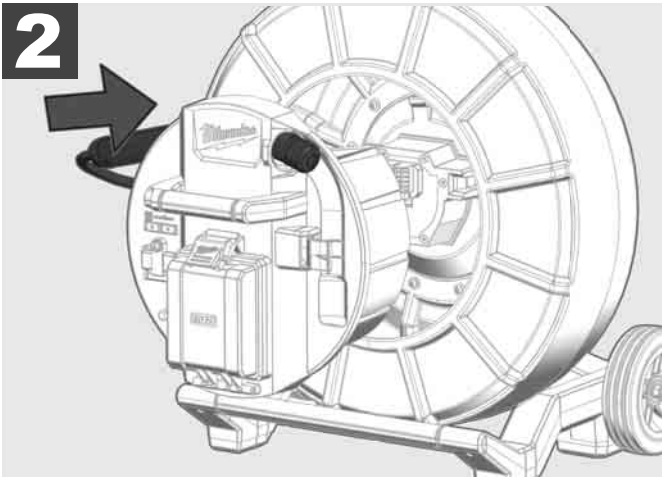
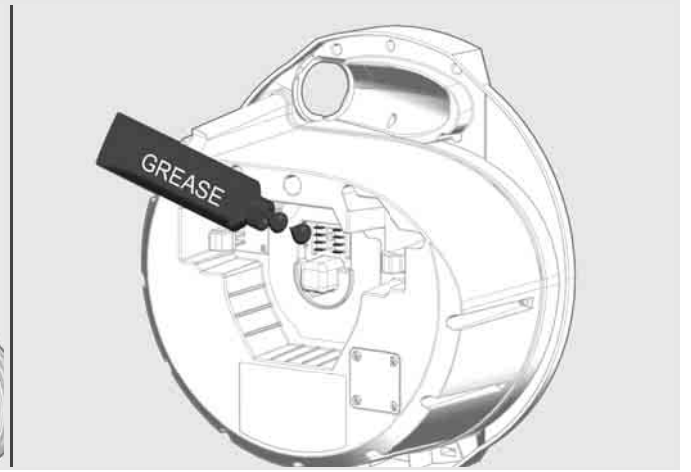
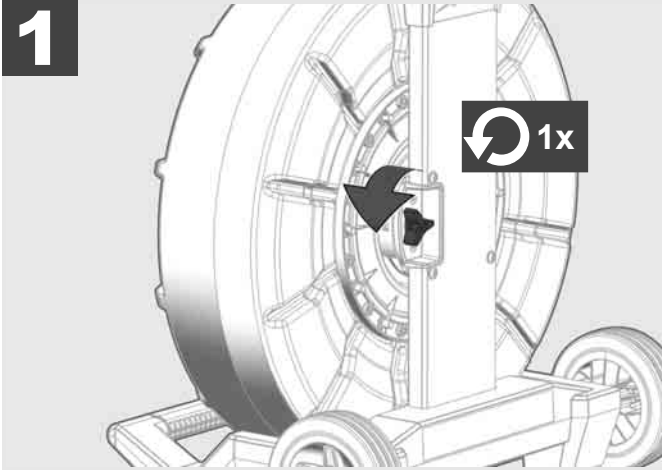


10-32 %



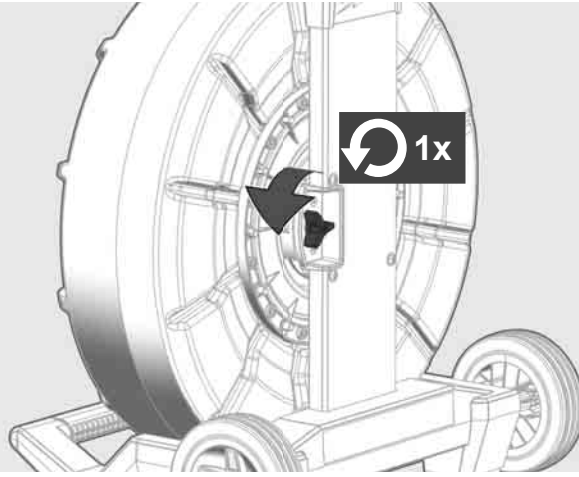
< 10 %



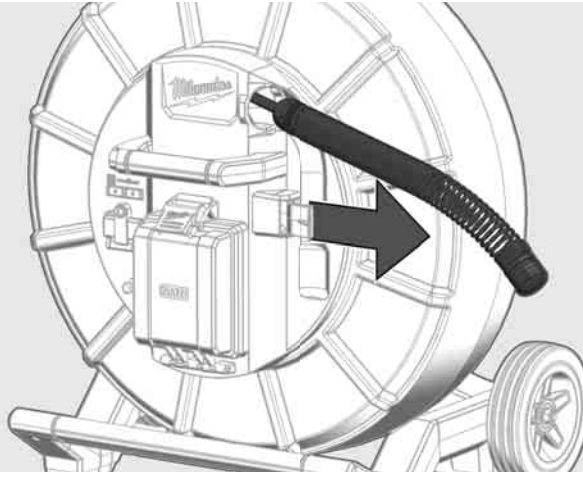




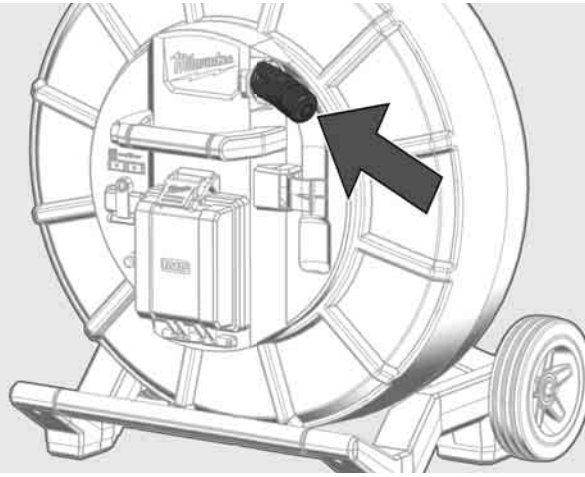
**1**



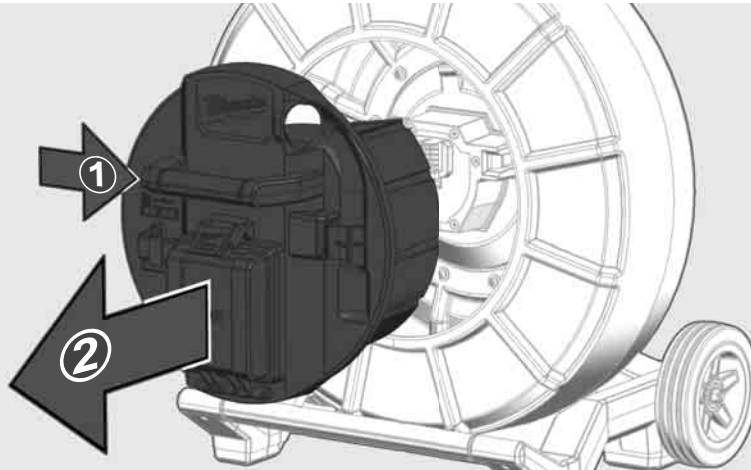
**2**



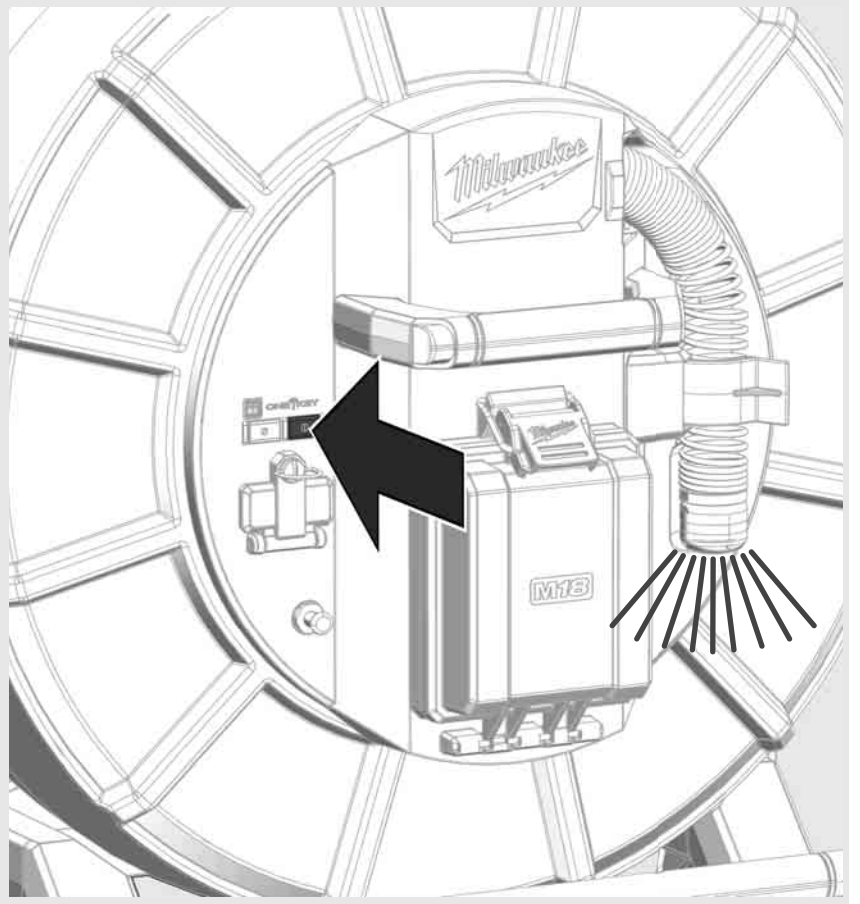
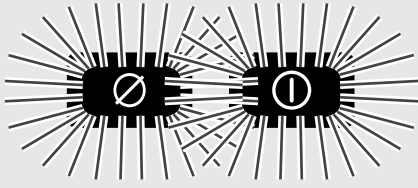
**3**



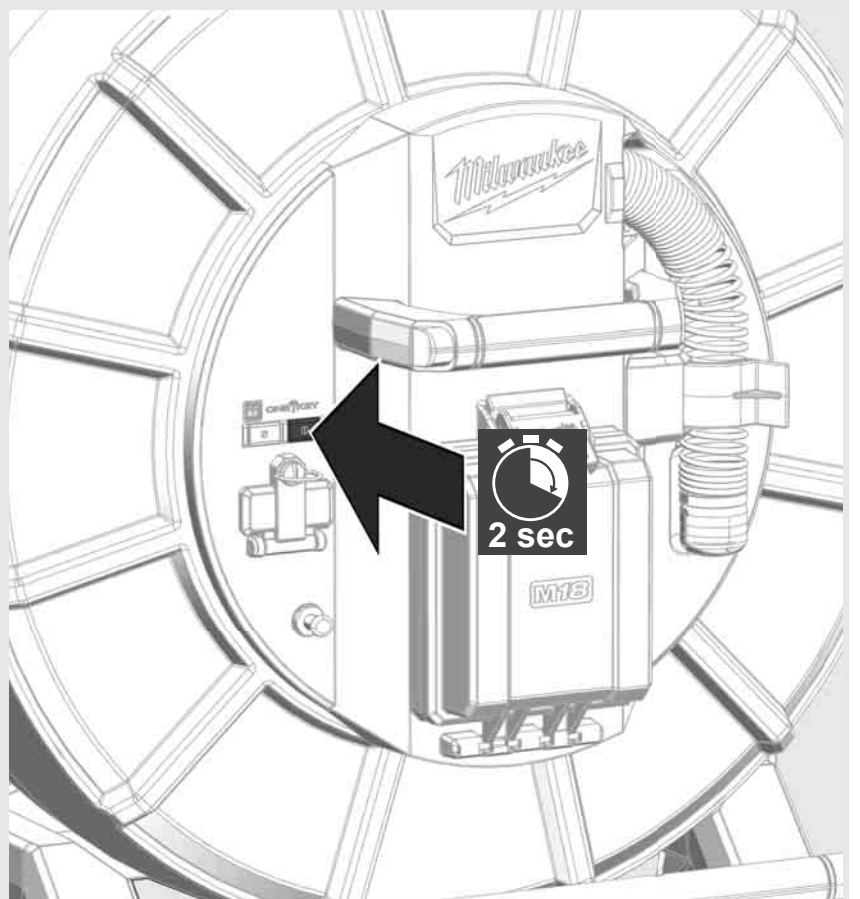
**4**



**ON**



**OFF**





## 2.7 Monitörün bağlanması

BORU GÖRÜNTÜLEME SİSTEMİ ayarlarını değiştirmek, fonksiyonunu kontrol etmek ve kamerayla kaydedilen resim ve videoları görüntülemek için harici bir görüntüleme cihazı gerekmektedir.

Harici görüntüleme cihazı BORU GÖRÜNTÜLEME SİSTEMİ'nin teslimat kapsamına dahil değildir ve ayrı olarak satın alınması gerekmektedir.

Aşağıdaki opsiyonlar arasından seçilebilir:

- MILWAUKEE UZAKTAN KUMANDALI MONİTÖR M18 SIM
- MILWAUKEE BORU GÖRÜNTÜLEME UYGULAMASI ile birlikte bir tablet veya akıllı telefon

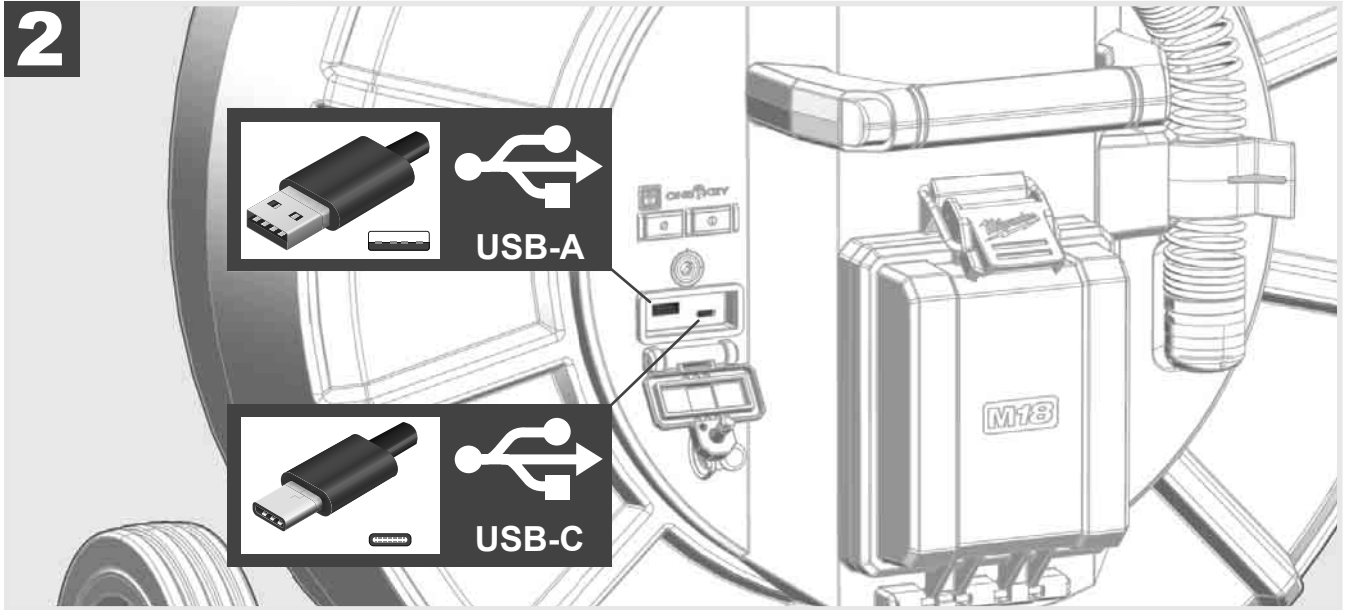
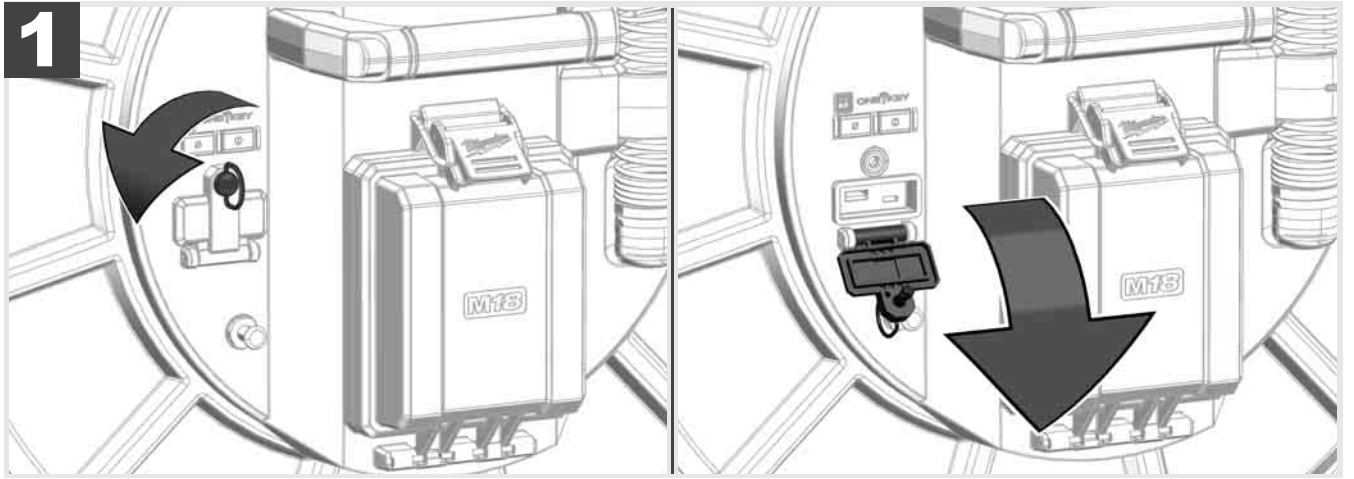
UZAKTAN KUMANDALI MONİTÖR Wi-Fi veya USB-C port üzerinden BORU GÖRÜNTÜLEME SİSTEMİ'ne bağlanır ve kullanıma hemen hazırdır. Bir tablet veya akıllı telefon kullanıldığında önce MILWAUKEE BORU GÖRÜNTÜLEME UYGULAMASI ilgili cihaz üzerine yüklenmelidir.

### **MILWAUKEE UZAKTAN KUMANDALI MONİTÖR M18 SIM İLE İLK KULLANIM:**

1. SMART HUB'ı ve UZAKTAN KUMANDALI MONİTÖRÜ açın.
2. UZAKTAN KUMANDALI MONİTÖR 25 saniye içinde otomatik olarak SMART HUB'a bağlanır.  
\*Kablolu bağlantı için monitörü USB-C port kablosu ile Smart Hub'a bağlayın.

### **AKILLI TELEFON VEYA TABLET İLE İLK KULLANIM:**

1. MILWAUKEE BORU GÖRÜNTÜLEME UYGULAMASI'nı indirin ve yükleyin.
2. SMART HUB'ı ve görüntüleme cihazını açın.
3. Ayarlar > Wi-Fi opsiyonunu seçin.
4. MTCAM\_[LAST 9 DIGITS OF HUB SERIAL #] opsiyonunu seçin.
5. Şifreyi girin: 29702000
6. MILWAUKEE BORU GÖRÜNTÜLEME UYGULAMASI'nı başlatın.

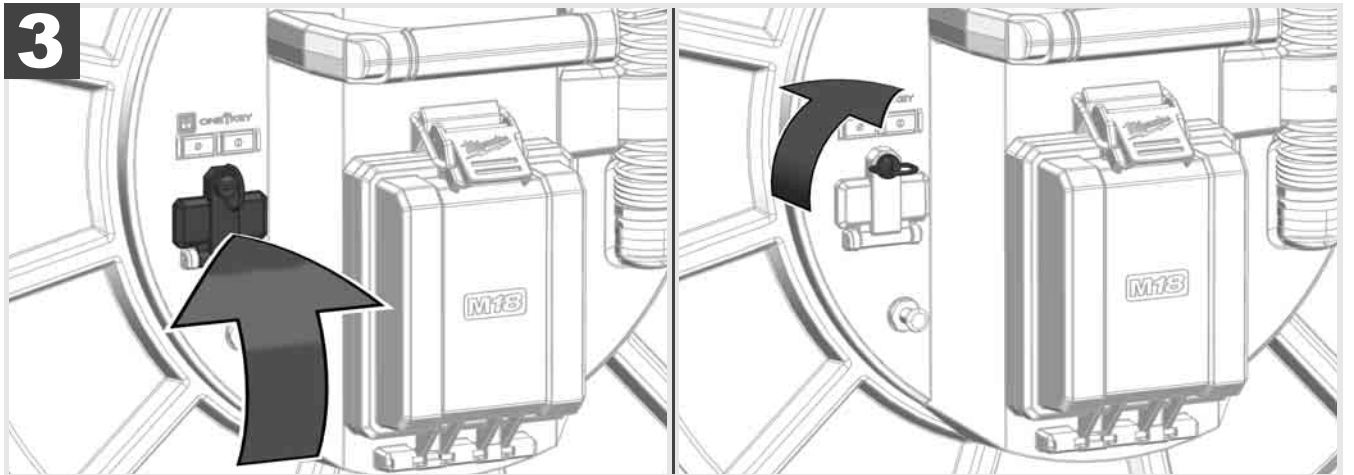


### USB-A

- Normal kullanım için kullanılan port. Video ve resim dosyalarının doğrudan kaydedilmesini ve dahili Smart Hub sürücüsünden aktarılmasını sağlar.
- Smart Hub üzerinde firmware güncellemelerinin yapılabilmesini sağlar.

### USB-C

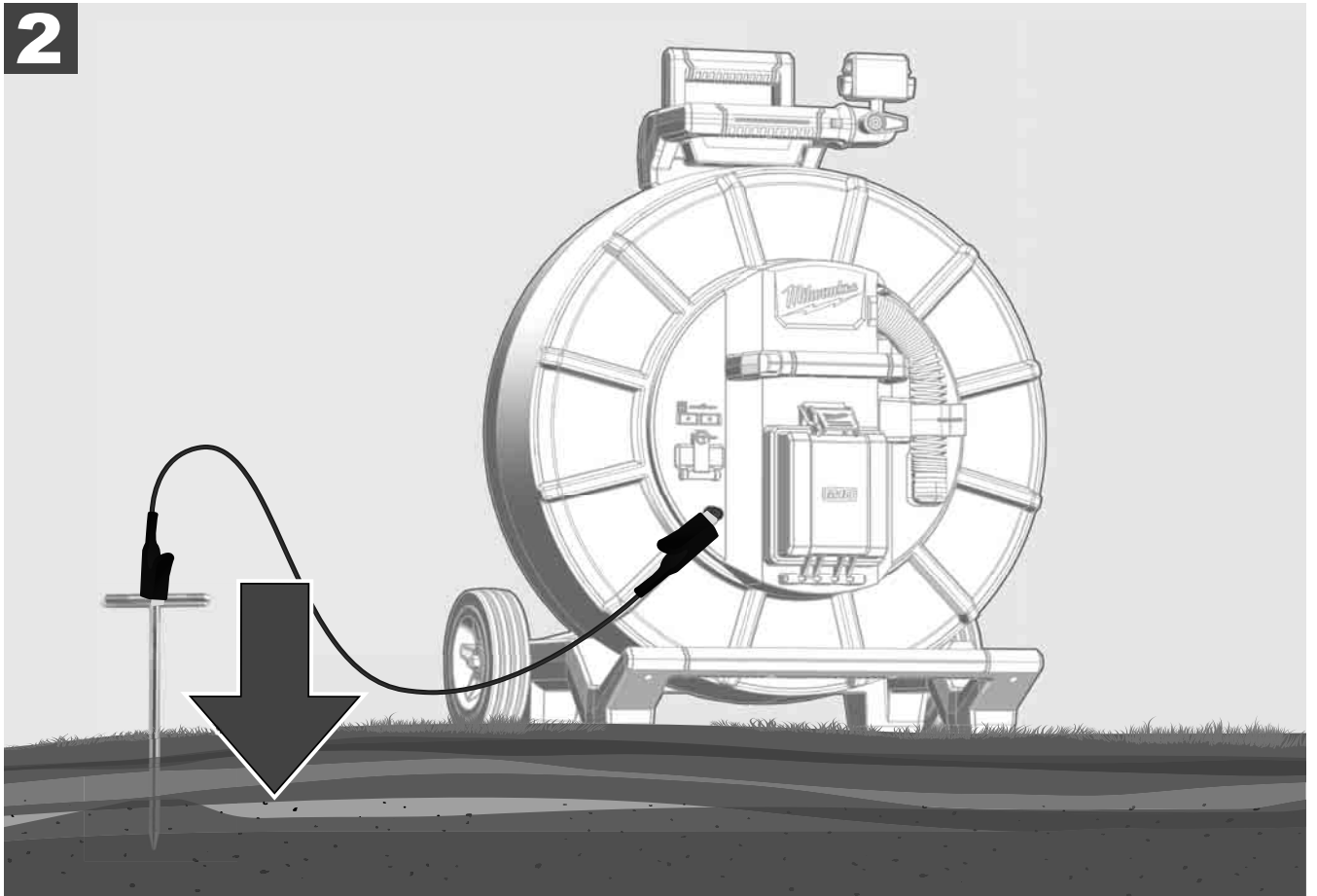
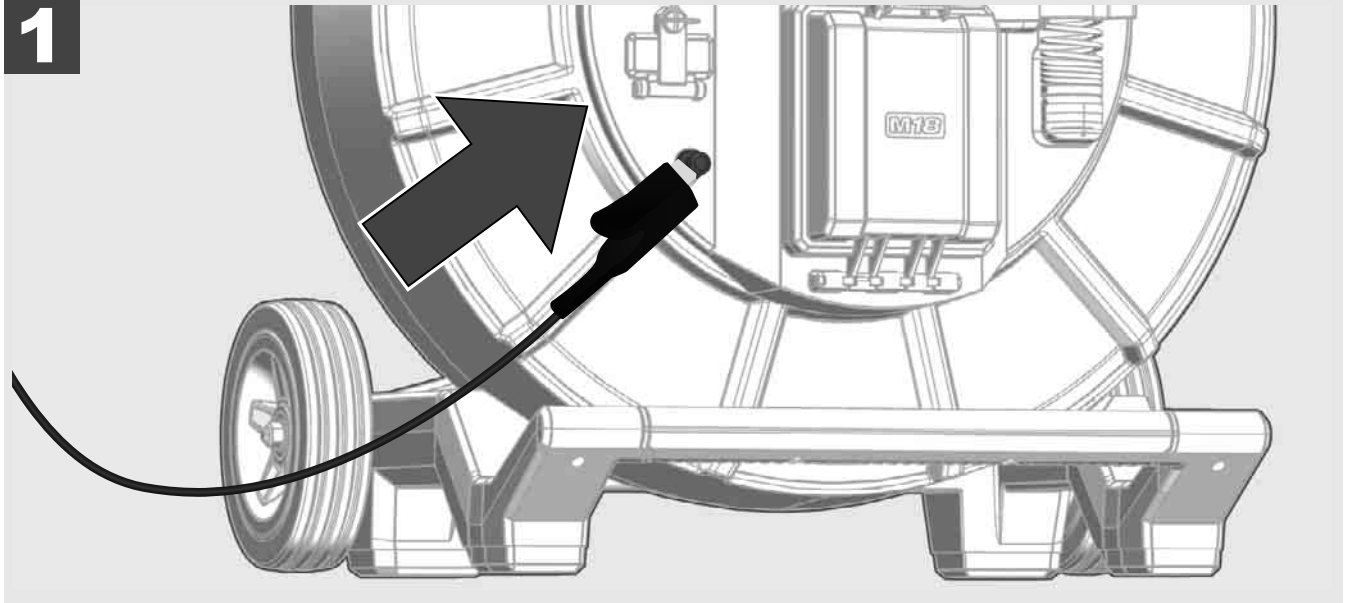
- Uzaktan kumandalı Monitör M18 SIM ve Smart Hub'ın Wi-Fi bağlantısı olmadan bağlanmasını sağlar. Batarya şarj edilmemişse Smart Hub'ın akım beslemesinin uzaktan kumandalı monitör M18 SIM üzerinden sağlanması veya tersi.



## 2.9 Topraklama ucu




Topraklama ucunun, ittirmeli kablo KABLO TAKİP fonksiyonu üzerinden takip edildiğinde daima kullanılması gerekmektedir. Akım döngüsünün kapalı olması ve iyi bir yer tespit sinyalinin gönderilmesi için Smart Hub'ın topraklanması gerekmektedir. Smart Hub'ın topraklanması için beraberinde teslim edilen topraklama kablosunu ve topraklama ucunu kullanın.

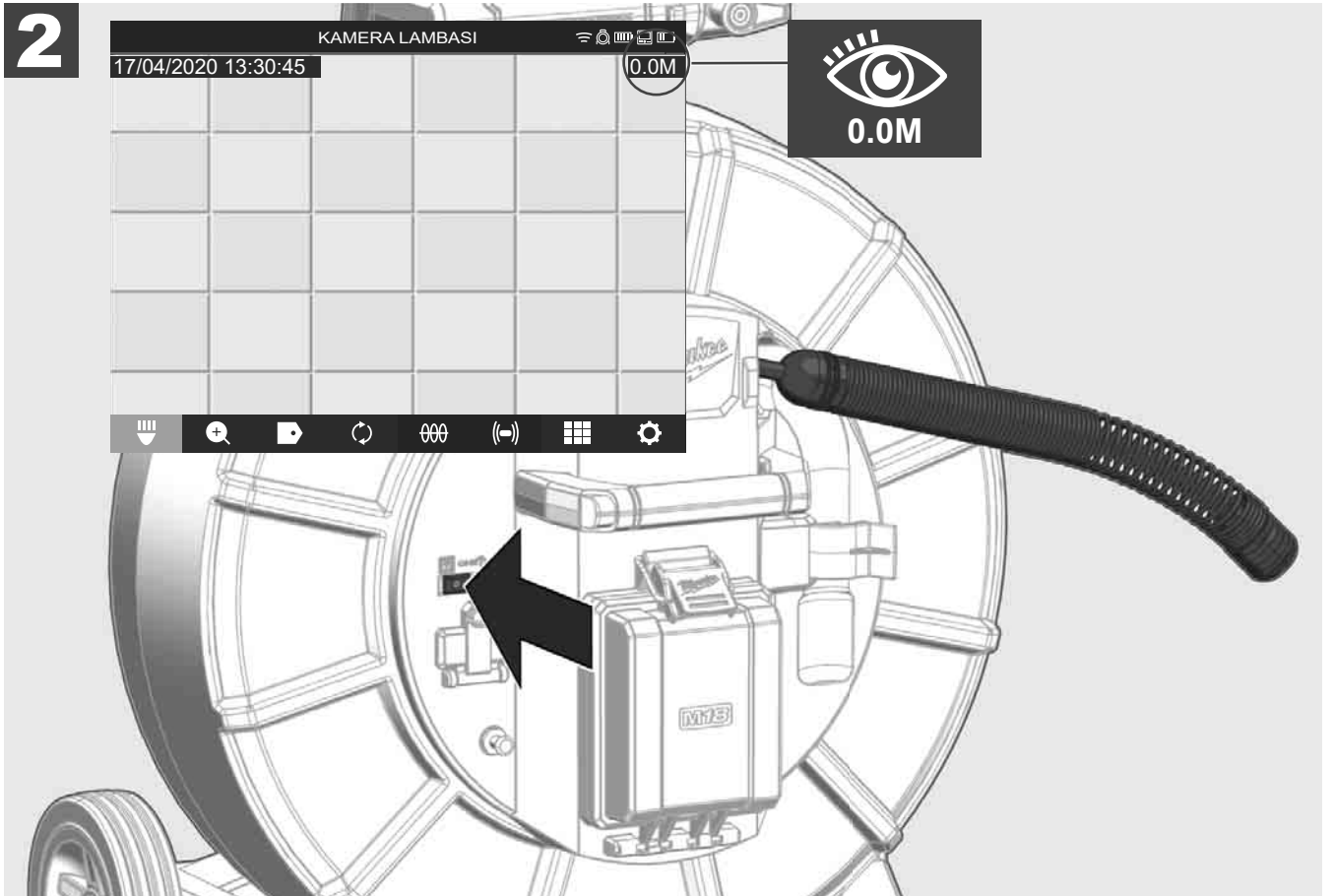
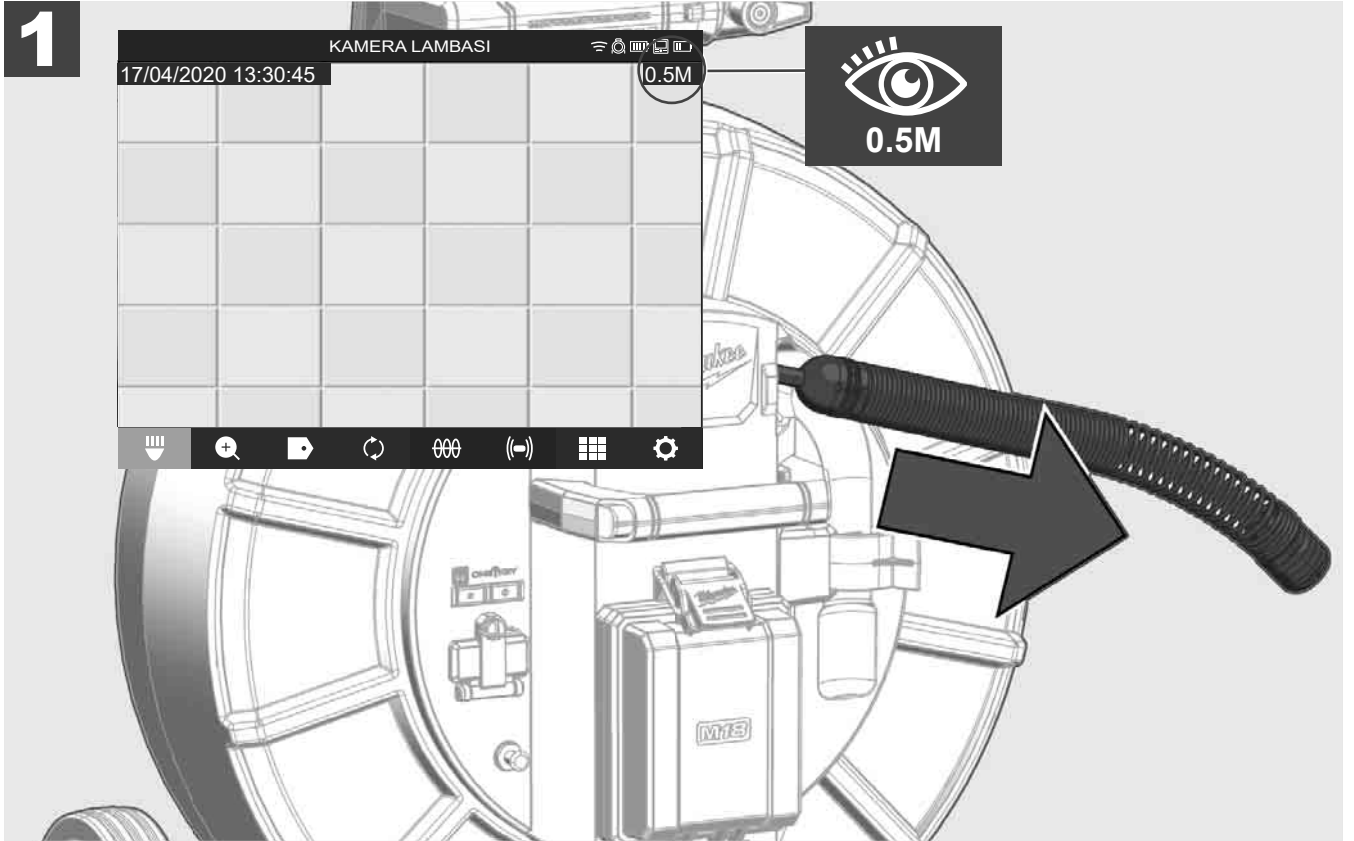


## 2.10 Uzunluk sayacının sıfırlanması



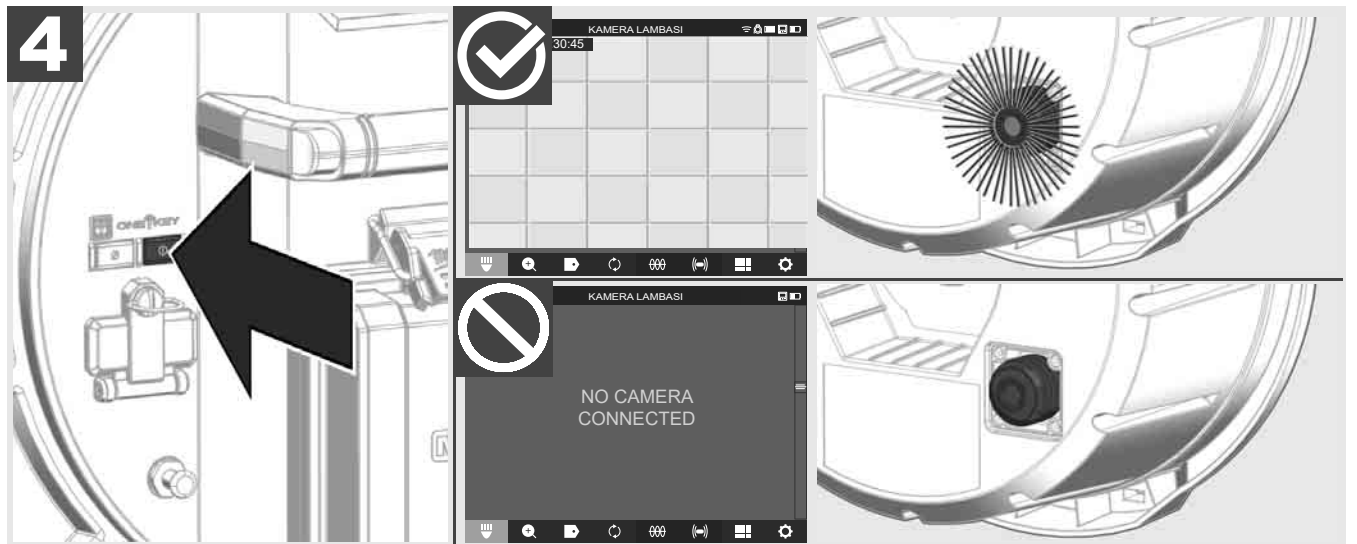
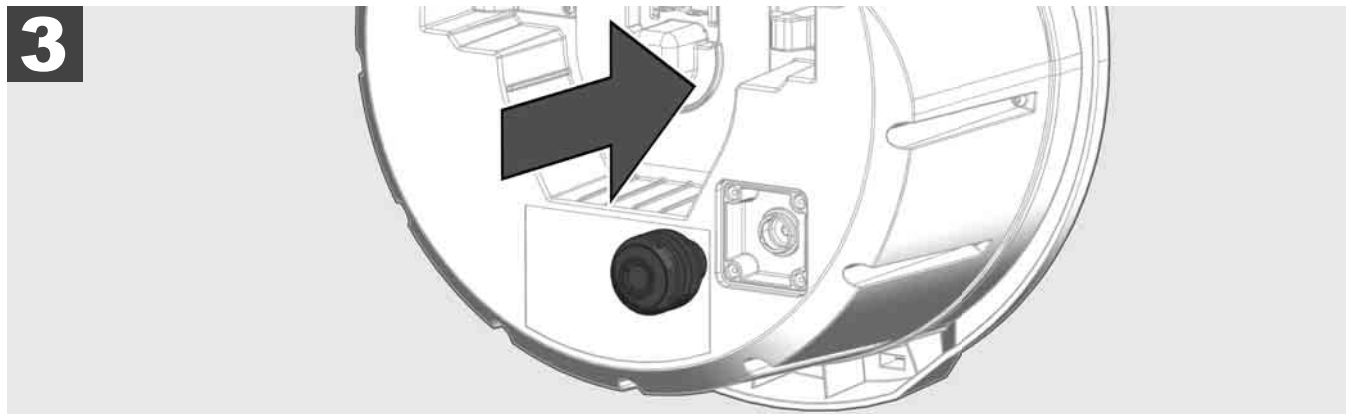
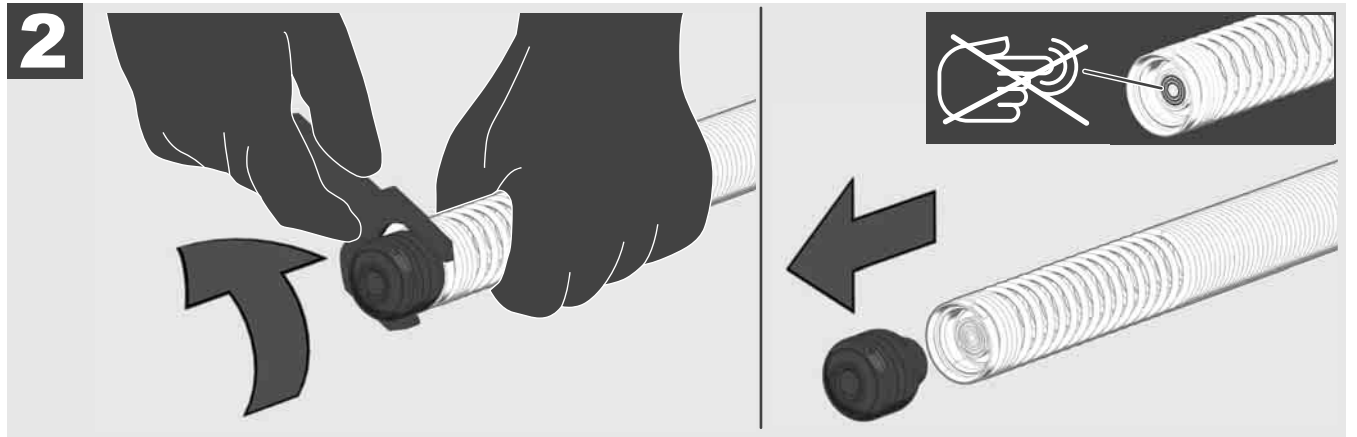
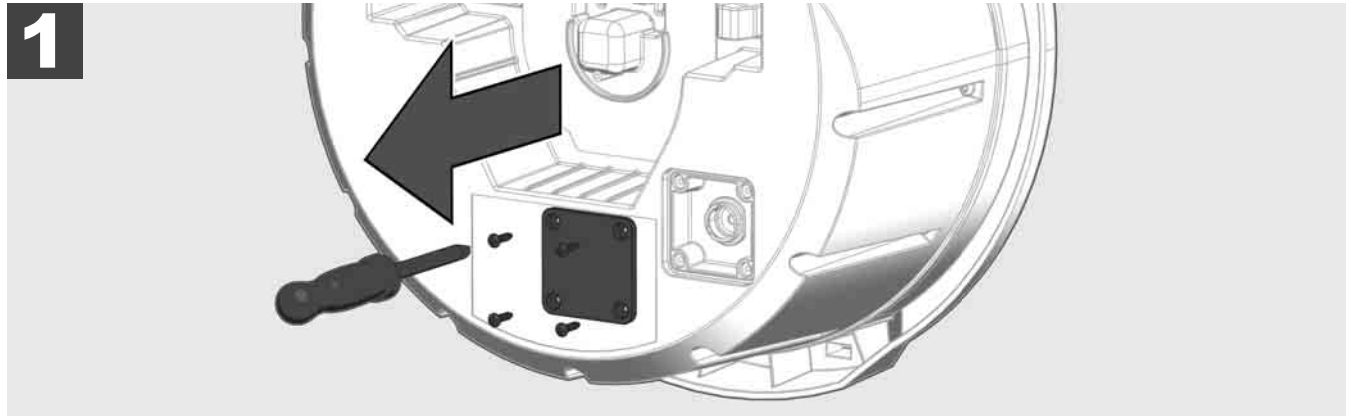
BORU GÖRÜNTÜLEME TAMBURU üzerinden çözülme sırasında çözülen kablounun uzunluęu uzaktan kumandalı monitör M18 SIM'ın durum çubuęında gösterilir.

Göstergeyi sıfırlamak için  tuşuna basın.



## 2.11 Kamera test bağlantısı

Kamera başıyla bir sorun olduğunda, kamera test bağlantısı üzerinden kontrol edilebilir.

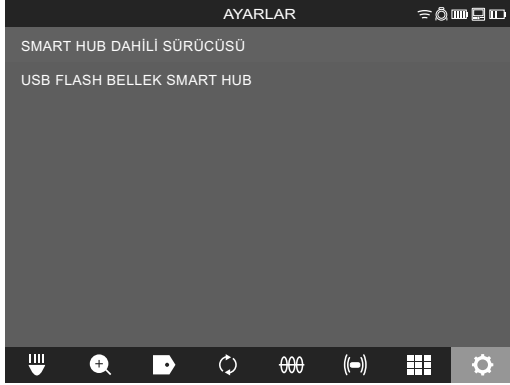


## 2.12 Dahili sürücü ve USB flash belleę format atılması

Bu fonksiyon ile Smart Hub'ın dahili 500 GB sürücüsüne veya USB flash belleę format atabilirsiniz.

USB flash belleklere FAT32 formatıyla format atılmalıdır.

1. **AYARLAR** → **BELLEGE FORMAT AT** seçin.
2. Belleęi seçin.



3. Ekrandaki mesajı onaylayın.



Seçilen sürücüye format atılır ve sistem **AYARLAR** menüsüne geri dönmektedir.

## 2.13 Fabrika ayarları

Fabrika ayarları fonksiyonunun seçilmesiyle Smart Hub M18 SISH fabrikada ayarlanmış olan değerlere geri getirilir.

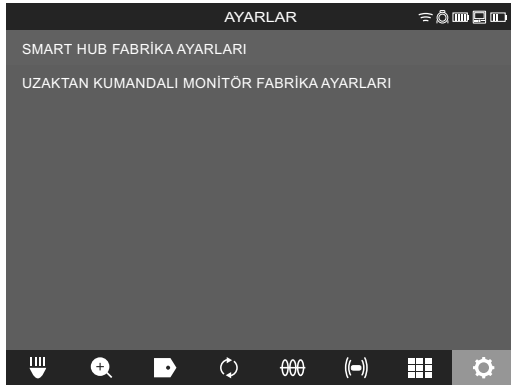
Smart Hub M18 SISH'nın şu ayarları sıfırlanmaktadır:

- ETİKETLER silinir.
- VİDEO ve RESİM ayarları 1080 P'ye geri getirilir.
- ŞİRKET ADI silinir.
- SONDA FREKANSI fabrika ayarına geri getirilir.
- KABLO TAKİBİ fabrika ayarına geri getirilir.
- RESİM AYARLARI fabrika ayarına geri getirilir: Renk tonu, aydınlık, kontrast, renk doyumu.
- ÖLÇÜM BİRİMLERİ

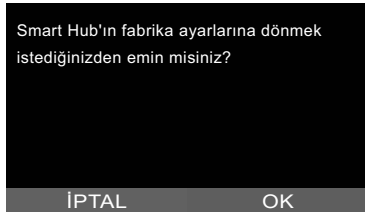
1. **AYARLAR**  **FABRİKA AYARLARI** seçin.



2. **FABRİKA AYARLARI** Smart Hub M18 SISH seçin.



3. Sıfırlama mesajını okuyun ve OK ile onaylayın.



Fabrika ayarlarına geri getirme işlemi tamamlandı ve sistem **AYARLAR** alt menüsüne geri dönmektedir.

## 2.14 Sistem güncelleme

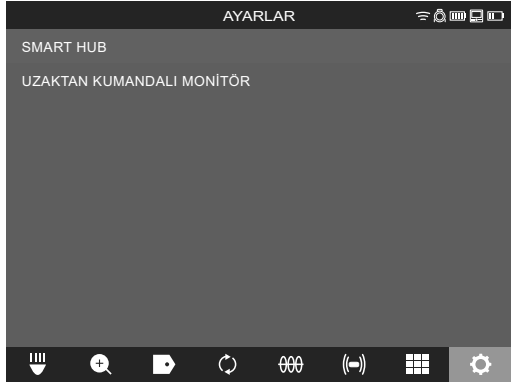
Sistem güncellemesinden önce **AYARLAR** → **BİLGİ** menüsünü açın ve güncel firmware sürümünü not edin.

Firmware güncellemeleri ya uzaktan kumandalı monitör M18 SIM ya da üzerinde Milwaukee® boru görüntüleme uygulaması bulunan bir tablet üzerinden yapılabilir.

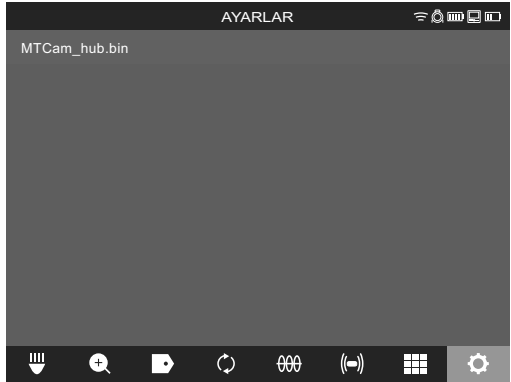
1. Smart Hub M18 SISH ve uzaktan kumandalı monitör M18SIM veya üzerinde Milwaukee® boru görüntüleme uygulaması bulunan tableti açın.
2. Uzaktan kumandalı monitör M18 SIM veya tabletin Wi-Fi üzerinden Smart Hub M18 SISH'ya bağlı olduğundan emin olun. Wi-Fi bağlantısı yoksa, önce bu bağlantıyı oluşturun.
3. Üzerinde firmware güncellemesi bulunan USB flash belleği Smart Hub M18 SISH'nın USB-A portuna takın.
4. **AYARLAR** → **SİSTEM GÜNCELLEMESİ** seçin.



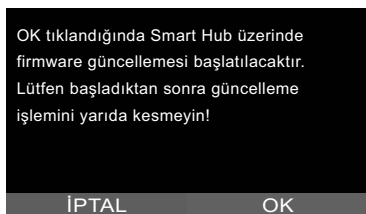
5. Smart Hub M18 SISH seçin.



6. Güncellemenin dosya adı ekranda gösterilir. Güncellemeyi başlatmak için **DOSYA ADI** seçin.

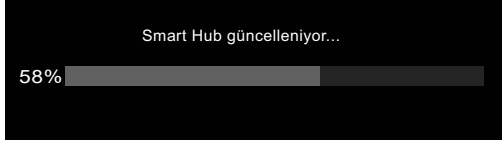


7. Uyarı mesajını okuyun ve OK ile onaylayın.

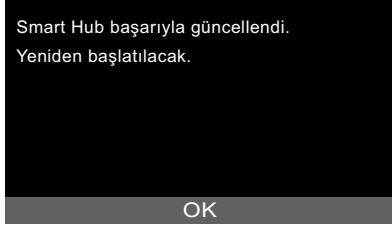




8. İlerleme çubuğu üzerinde güncellemenin seyri gösterilir.



9. Güncellemenin sonunda onaylanması gereken bir mesaj belirmektedir. Sistemi yeniden başlatmak için OK seçin.



10. Firmware sürümünün güncellenip güncellenmediğini kontrol etmek için **AYARLAR** → **BİLGİ** seçin.

### 3 BORU GÖRÜNTÜLEME TAMBURLARI

#### 3.1 Genel bakış Boru görüntüleme tamburu M18 SIC36



- 1 Yatay kullanım ayağı
- 2 Uzaktan kumandalı monitör M18 SIM – Tablet tutucu ve bağlantı
- 3 Uzaktan kumandalı monitör M18 SIM – Döner kilit
- 4 Uzaktan kumandalı monitör M18 SIM – Devirmeli kilit
- 5 Kulp
- 6 İttirmeli kabloyla birlikte kablo tamburu
- 7 Dikey kullanım ayağı
- 8 Kablo tamburu freni
- 9 Yatay kullanım ayağı
- 10 Taşıma düzeneği

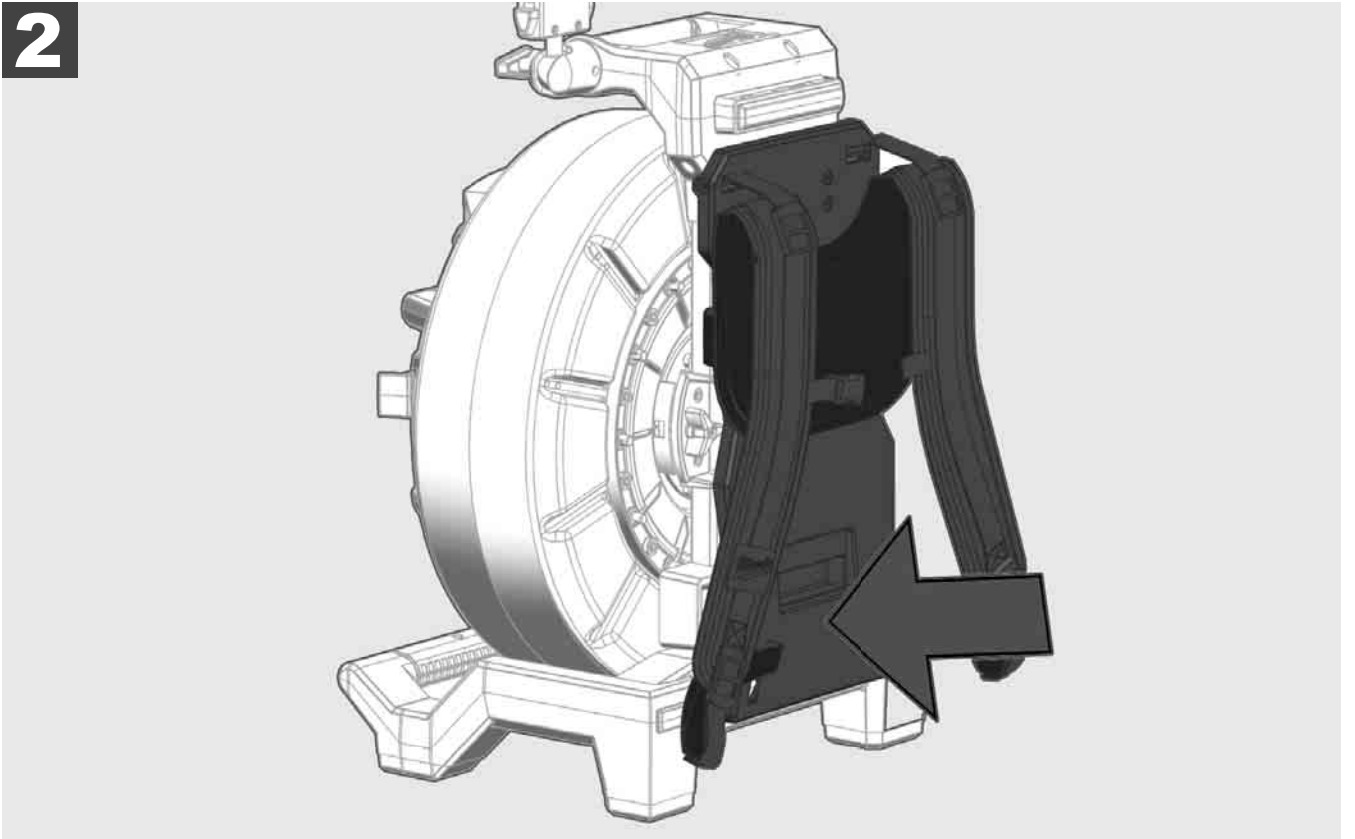
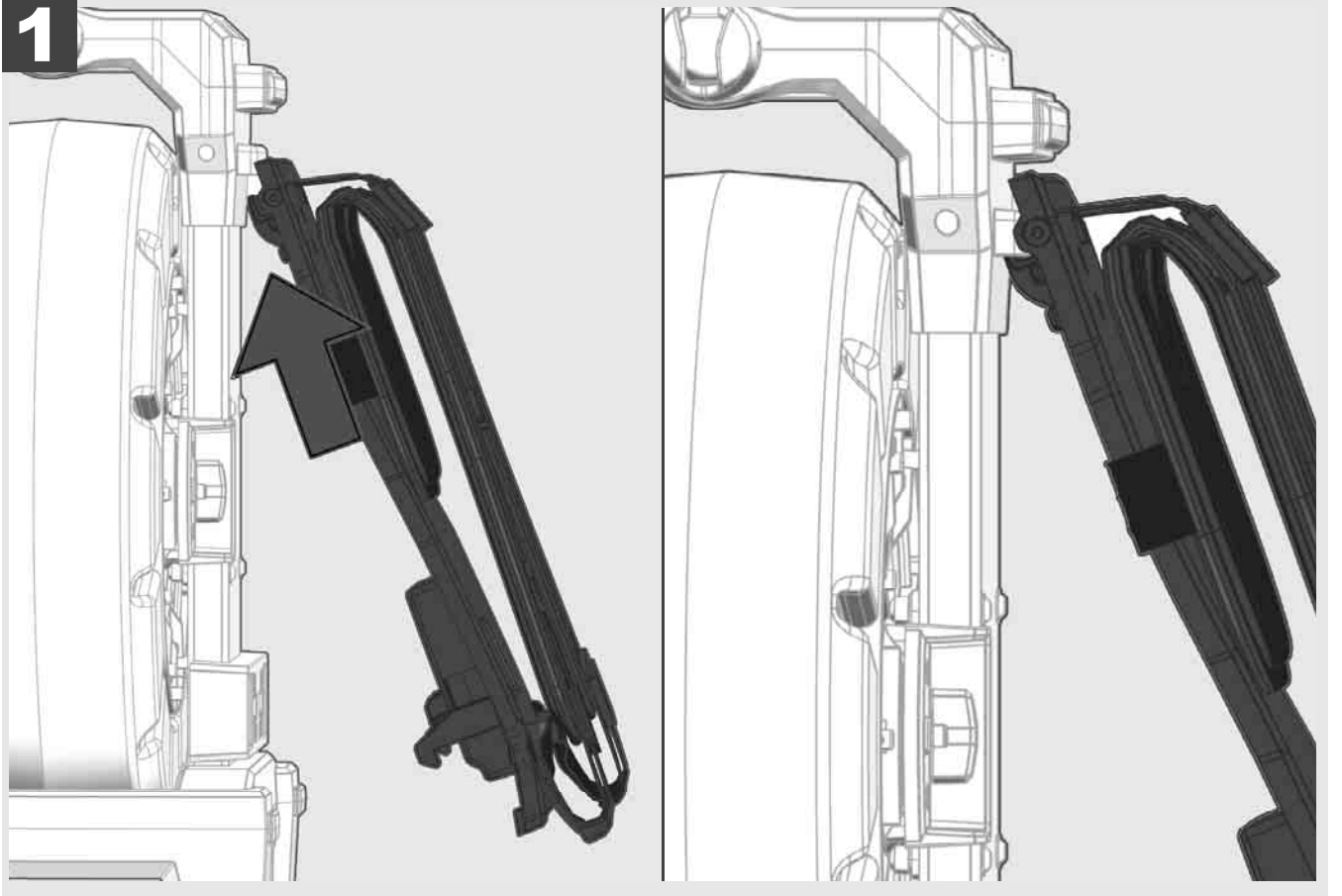
### 3.2 Genel bakış Boru görüntüleme tamburu M18 SIC60



- 1 Yatay kullanım ayağı
- 2 Açılır kulp (içeri sürülmüş pozisyonda)
- 3 Açılır kulpu kilitleme ve kilidini açma tuşu.
- 4 Uzaktan kumandalı monitör M18 SIM – Tutucu / Tablet tutucu ve bağlantı
- 5 Uzaktan kumandalı monitör M18 SIM – Döner kilit
- 6 Uzaktan kumandalı monitör M18 SIM – Devirmeli kilit
- 7 Kulp
- 8 İttirmeli kabloyla birlikte kablo tamburu
- 9 Dikey kullanım ayağı
- 10 Tekerler
- 11 Kablo tamburu freni

### 3.3 Taşıma düzeneğinin takılması

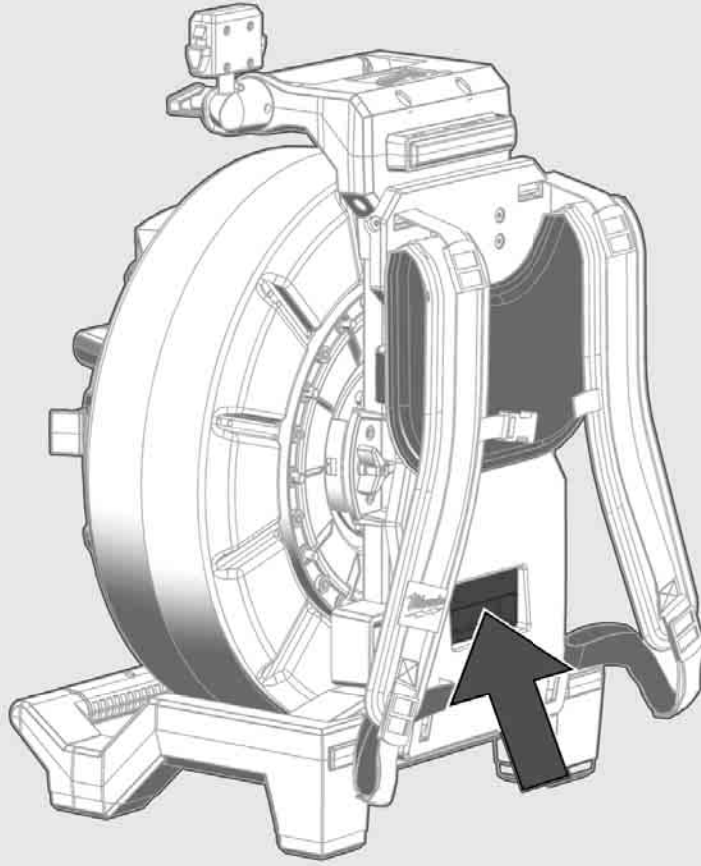
BORU GÖRTÜNTÜLEME TAMBURU M18 SIC36, tamburun sırt çantası gibi sırtta taşınmasını sağlayan bir taşıma düzeneğiyle donatılmıştır. Böylece küçük tambur rahatça kullanılacağı yere taşınabilir. Bu özellikle merdiven çıkarken veya merdiven üzerinde çalışırken pratiktir.



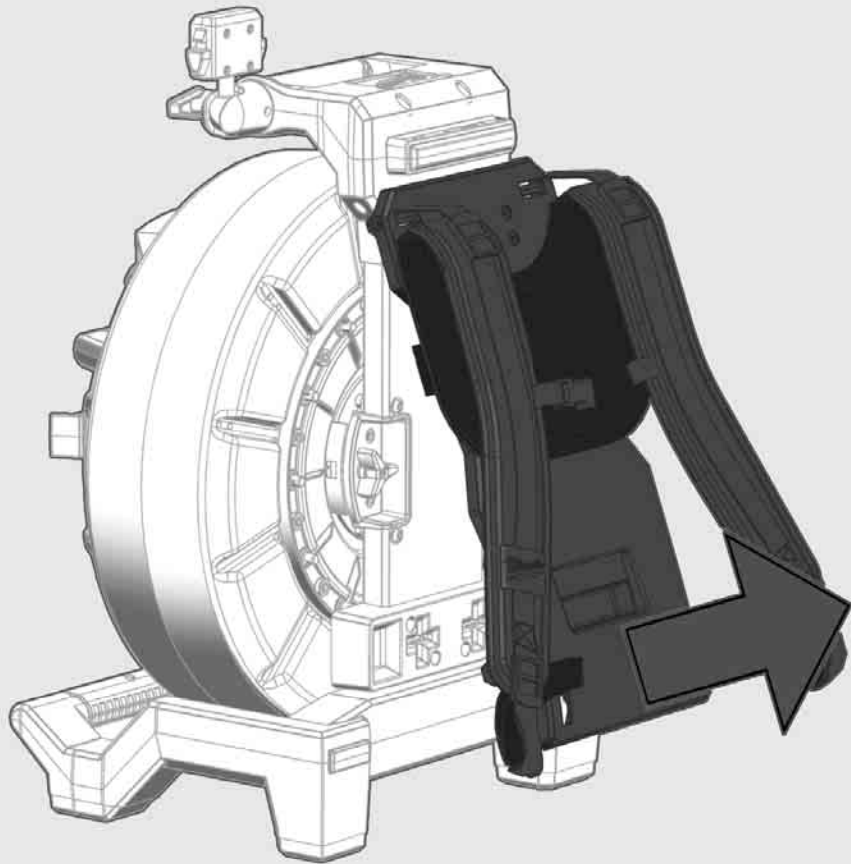
Taşıma düzeneğini yukarı takın ve avuç içiyle taşıma düzeneği yerine oturana kadar alt tarafına basın. Yerine oturduğundan emin olmak için taşıma düzeneğinden kısaca çekin.



1

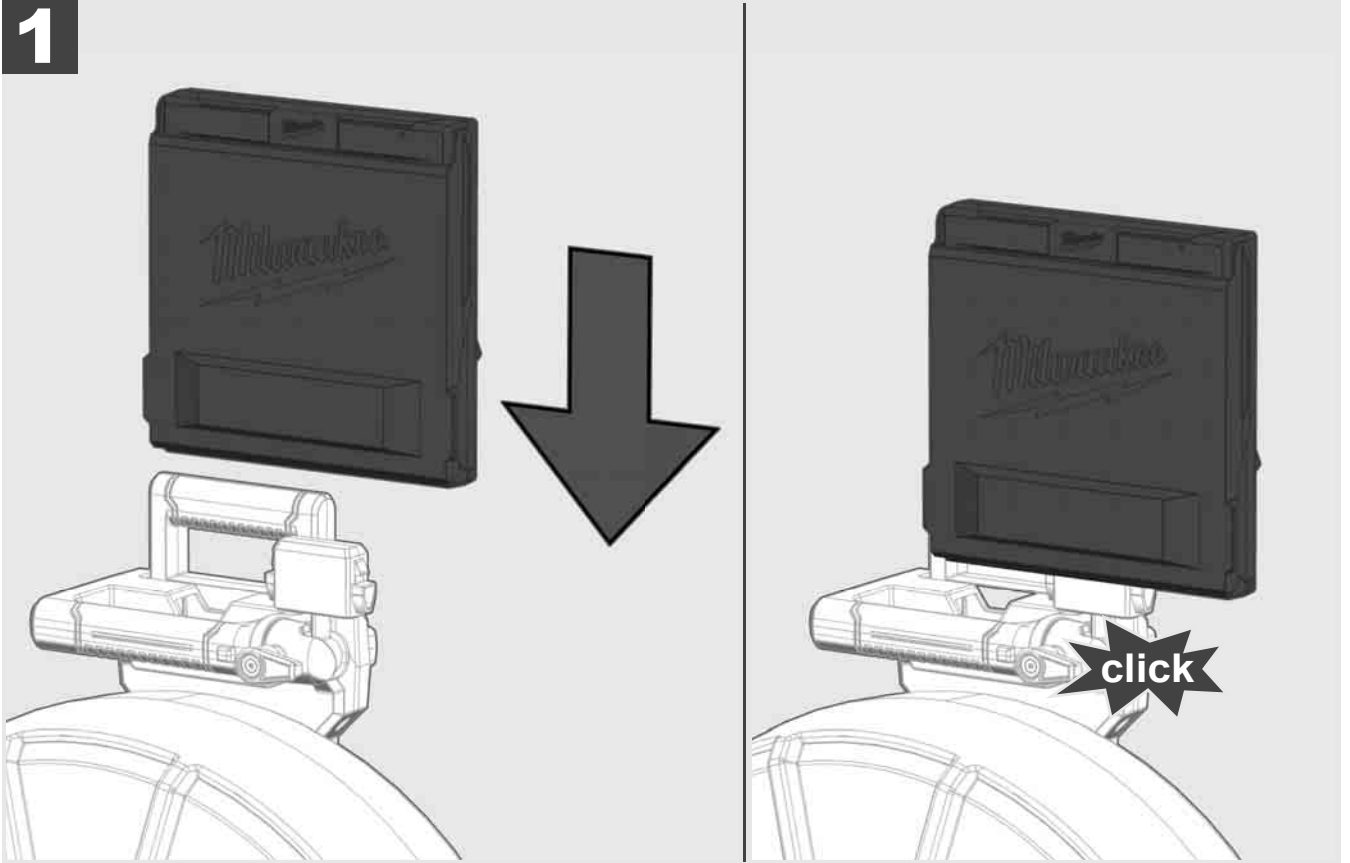


2

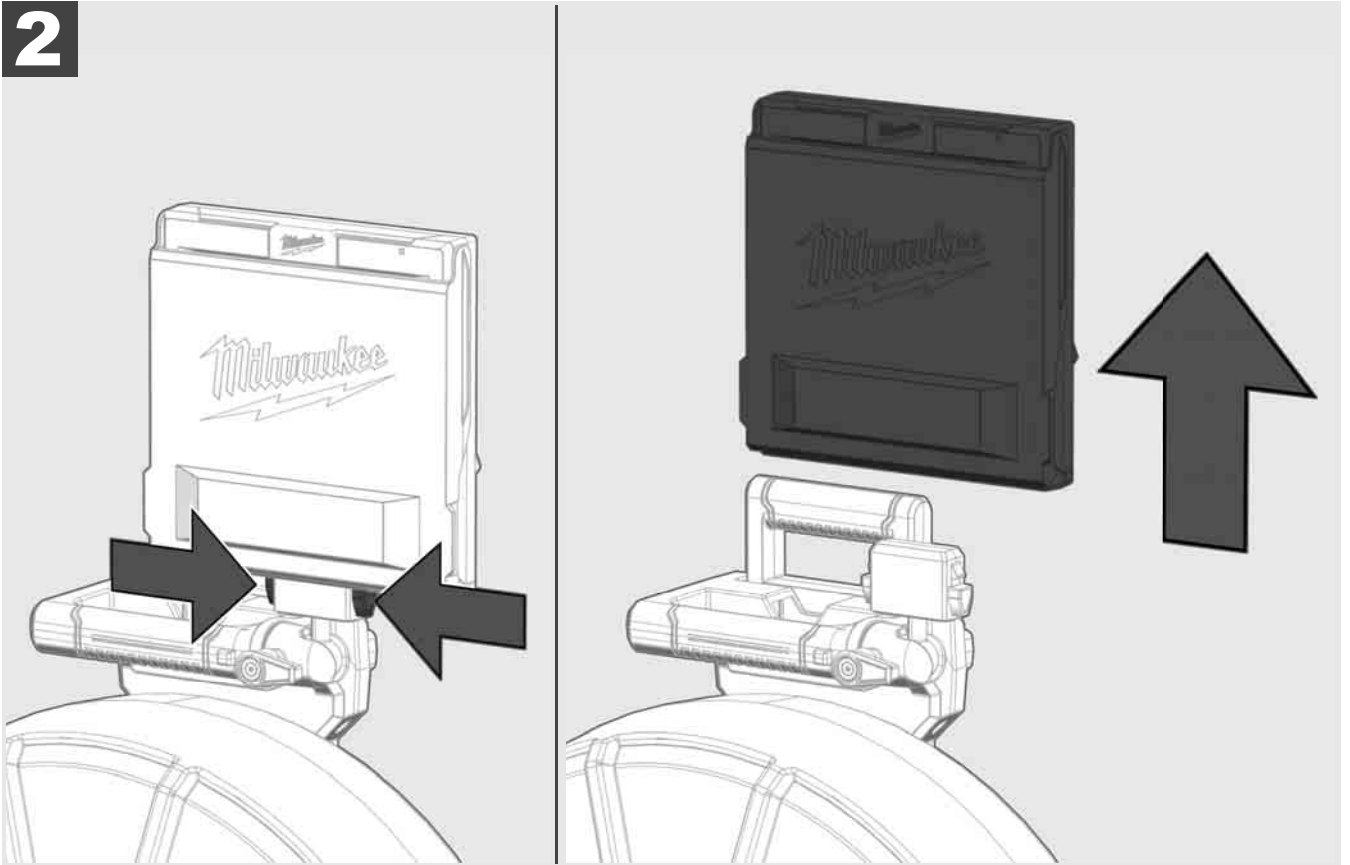




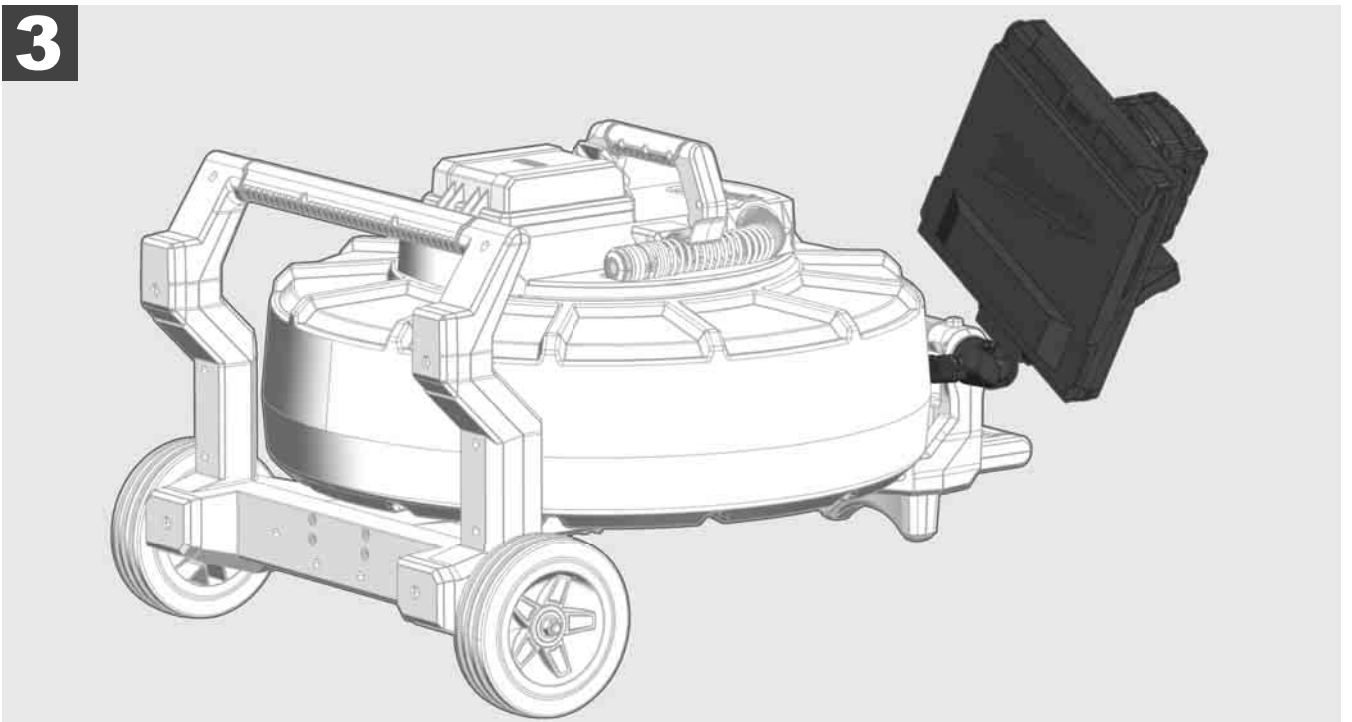
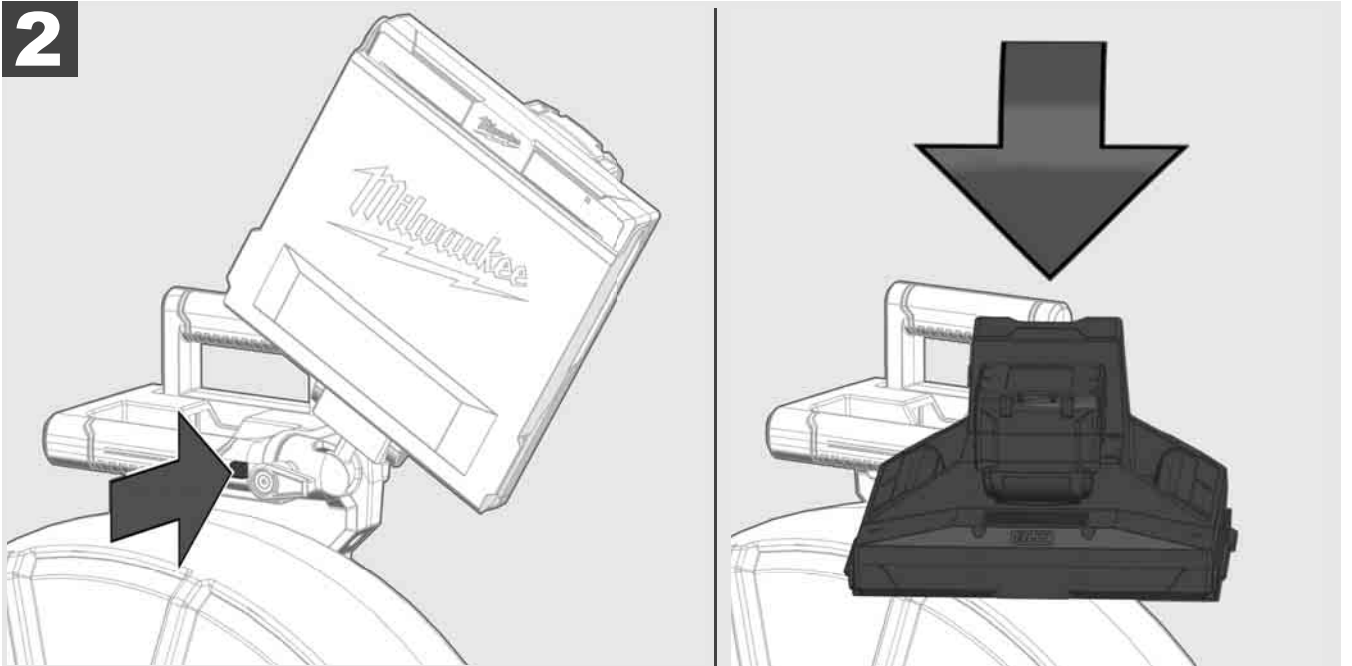
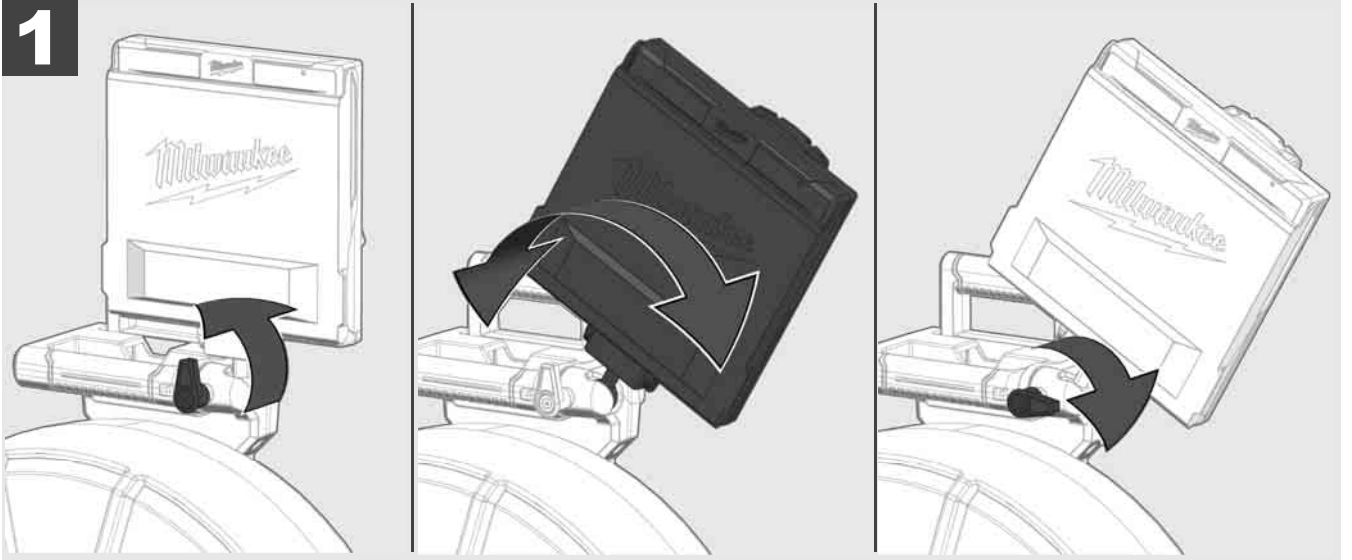
1



2



### 3.6 Uzaktan kumandalı monitör M18 SIM'in ayarlanması



### 3.7 Boru görüntüleme tamburunun kullanımı



İttirmeli kabloyu aşınma izleri yönünden kontrol edin – Sarma sırasında kabloyu kesikler, büküklük ve aşınma yönünden kontrol edin. Dış kılıfı sarı ve beyaz kablo demeti görülecek şekilde aşırı aşındığında ittirmeli kablonun değiştirilmesi gerekmektedir. Dış kılıfı hasarlı bir ittirmeli kablo kullanıldığında içine su ve nem girebilir ve bu da kamera kayıtlarının kalitesini etkileyebilir veya kameranın devre dışı kalmasına neden olabilir.

Aşağıdaki şekilde aşırı aşınmış bir dış kılıf için örnekler gösterilmektedir. Böyle görünen ittirmeli kablolar en kısa zamanda değiştirilmelidir.

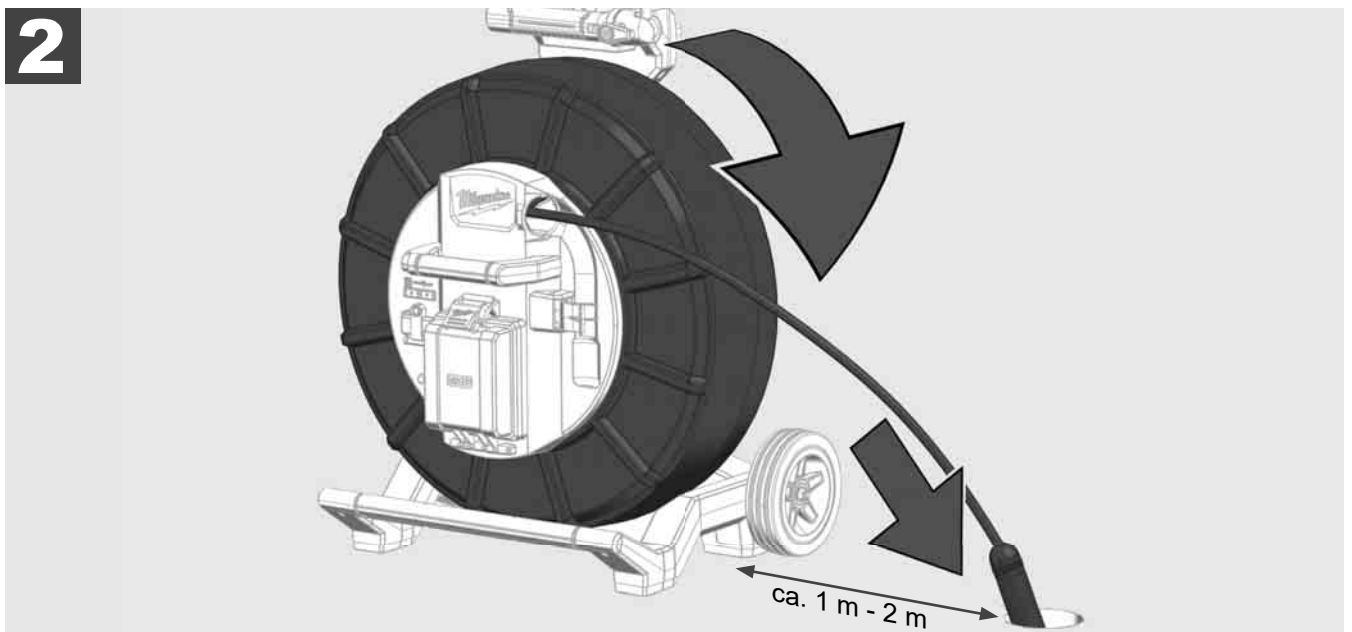
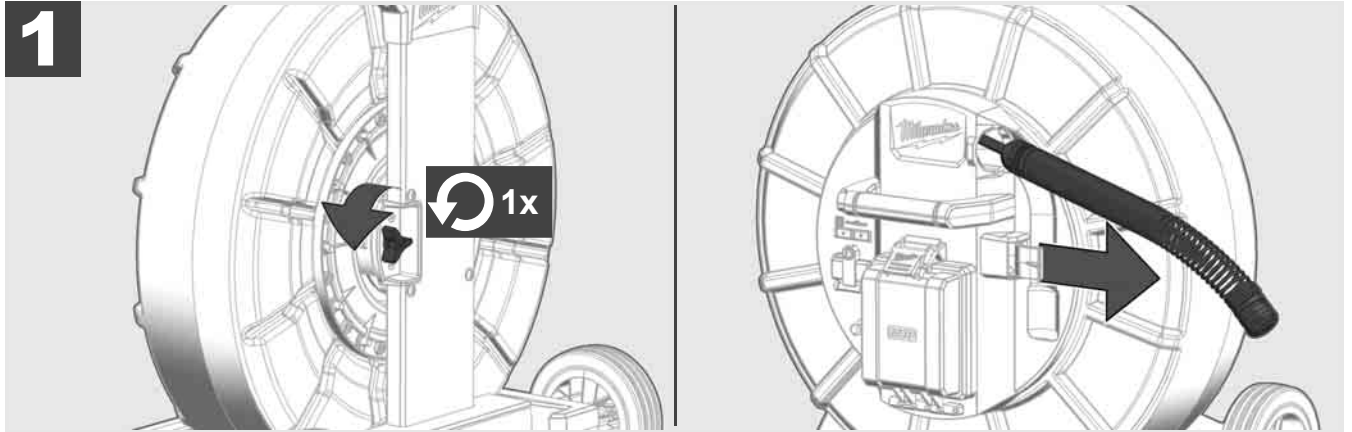


İttirmeli kabloyu ve yay grubunu her zaman kuru ve temiz şekilde muhafaza edin – Sarma sırasında kabloyu her zaman temiz ve kuru bir bezle temizleyin. Bir iş gününün sonunda kamera başı ve yaydaki kir artıklarını akan suyun altında dikkatlice temizleyerek giderin. Sallayarak kurutun veya fazla suyu düşük basınçlı bir hava tabancasıyla giderin ve ardından parçaları kurutun. Kamera başı, ittirmeli kablo ve bağlantı parçaları günlük kullanımda agresif kimyasallara maruz kalmaktadır. Sistemin titizlikle temizlenmesi bu parçaların dayanma ömrünü uzatmaktadır.

İttirmeli kabloyu itinayla kullanın – İttirmeli kabloyu kilitli durumdaki tamburdan çekerek çözmeyin. Aksi halde kablo tambur içinde sıkışır ve üzerine aşırı yük biner. Diğer yandan ittirmeli kablonun kilitli tambur içine geri itilmesi, makaranın devrilmesine veya kablonun bükülmesine neden olabilir.

Tamburu, giriş yerinden yaklaşık 1 ile 2 metre arasındaki bir mesafede düz bir zemine yerleştirin. Böylece kablo bükümlerinin zemin üzerinde çekilmesi önlenerek kablonun kullanımı için yeteri kadar yer kalmaktadır. Gerekliğinde ittirmeli kablonun hareketini yavaşlatmak için sürtünmeli frene basın.

Tambur yatay pozisyonda kullanıldığında ayaklar arasındaki alan büyümektedir. Böylece tambur düz olmayan zeminde daha sağlam durmakta ve yüksekliğini azaltmaktadır. Bu da dar yerlerde çalışıldığında bir avantajdır.





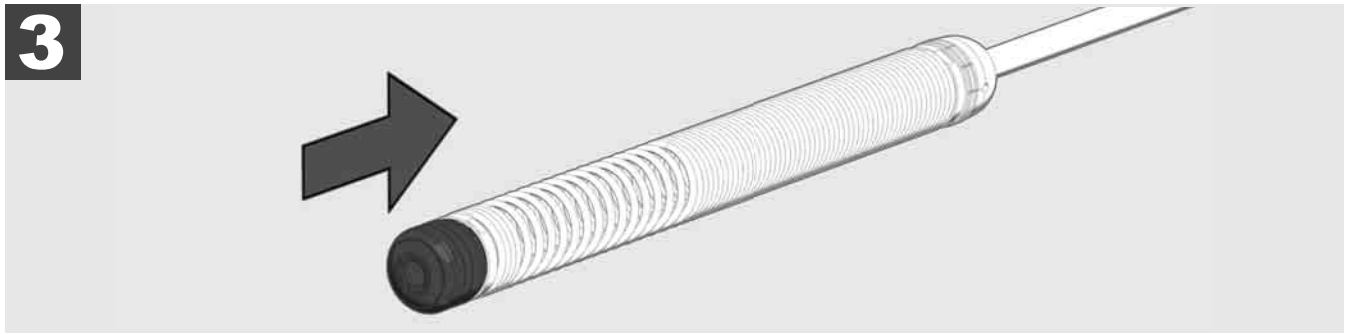
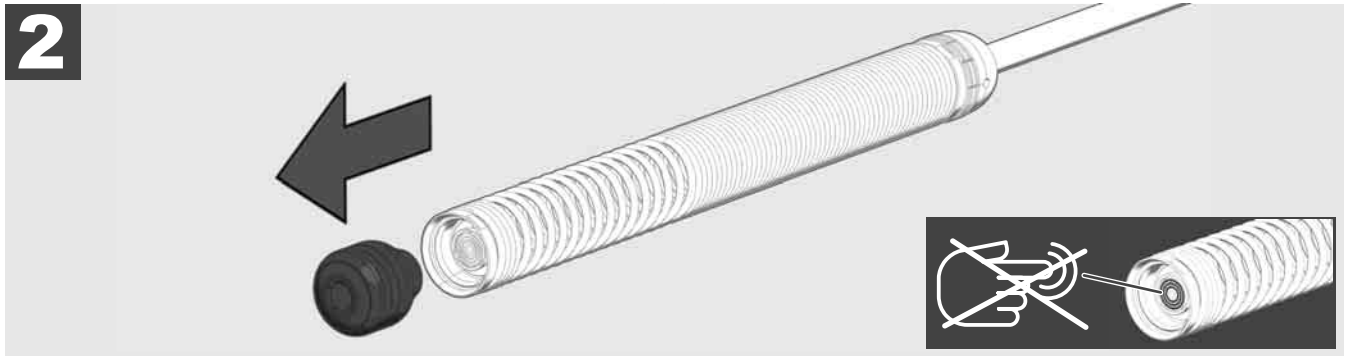
### 3.8 Kamera başı grubu



Yay grubu üzerindeki yeşil renkli devre kartına, altın kontaklara ve de kamera başına mümkün olduğunca çıplak ellerinizle dokunmayın. Aksi halde parmaklar üzerindeki yağ tabakası bu bileşenlere geçer ve bunların erken paslanmasına neden olabilir. Mümkün olduğunda temiz ve kuru lastik eldivenler kullanın.

Çıkartmadan önce kamera başını kuruyacak şekilde silin ve kameranın bağlantı alanına düşebilecek kirlenmeleri giderin.

Fazla çekmeyin ve aşırı güç uygulamayın!



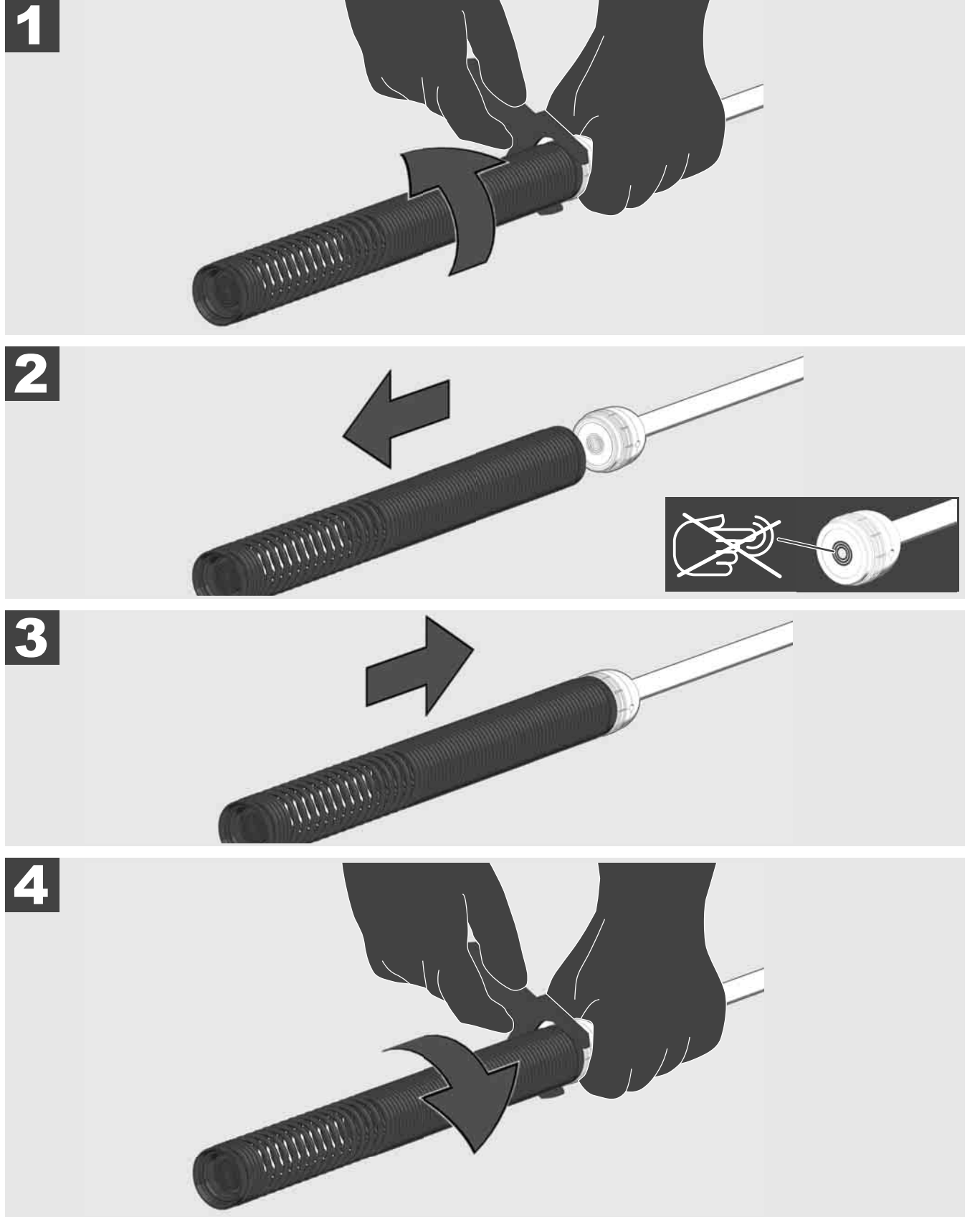
### 3.9 Yay grubu



Yay grubu üzerindeki yeşil renkli devre kartına, altın kontaklara ve de kamera başına mümkün olduğunca çıplak ellerinizle dokunmayın. Aksi halde parmaklar üzerindeki yağ tabakası bu bileşenlere geçer ve bunların erken paslanmasına neden olabilir. Mümkün olduğunda temiz ve kuru lastik eldivenler kullanın.

Çıkartmadan önce kamera başını kuruyacak şekilde silin ve kameranın bağlantı alanına düşebilecek kirlenmeleri giderin.

Fazla çekmeyin ve aşırı güç uygulamayın!

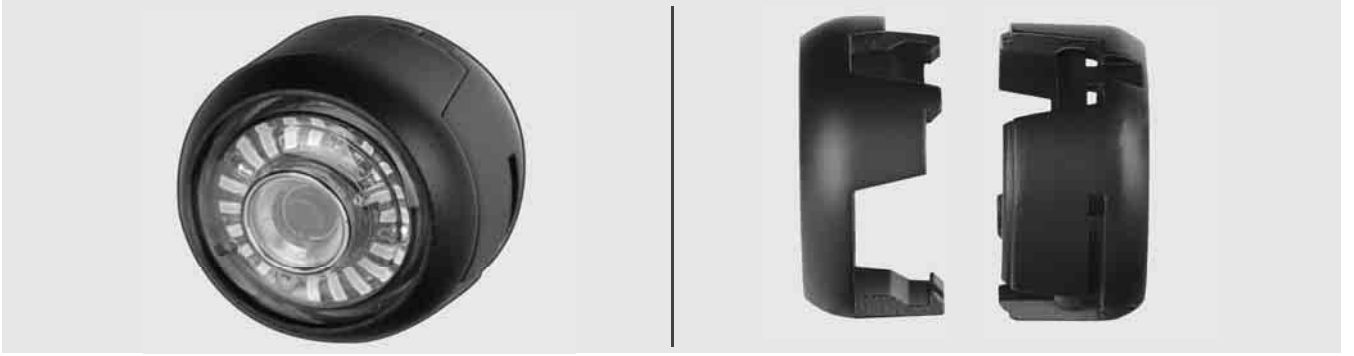


### 3.10 Kamera koruma kapağı

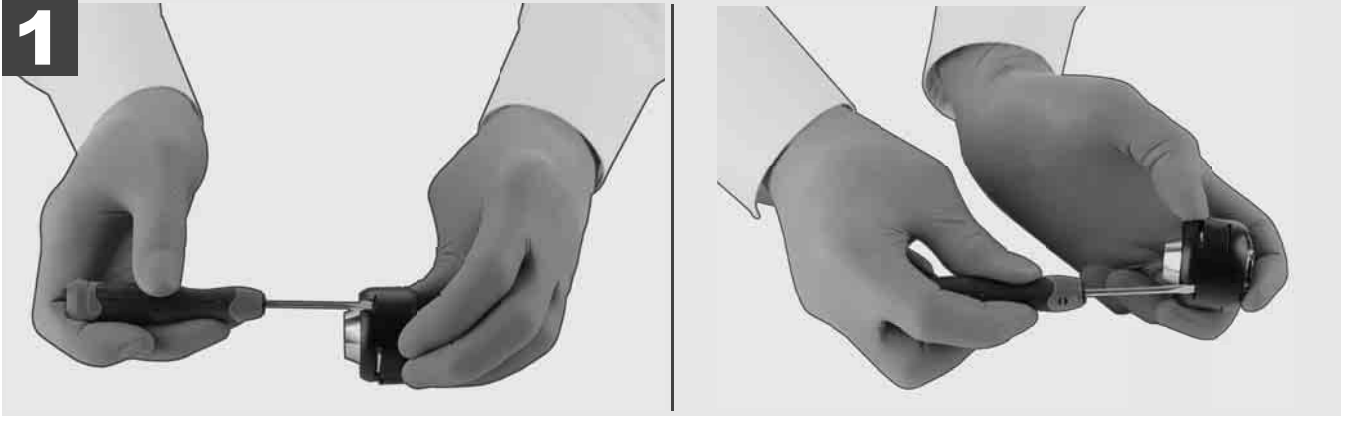


Koruma kapakları – 25 mm veya 34 mm çapındaki kamera başlarına uygundur. Bu koruma kapakları bütün BORU GÖRÜNTÜLEME TAMBURLARI veya yedek kamera başları ile birlikte teslim edilir.

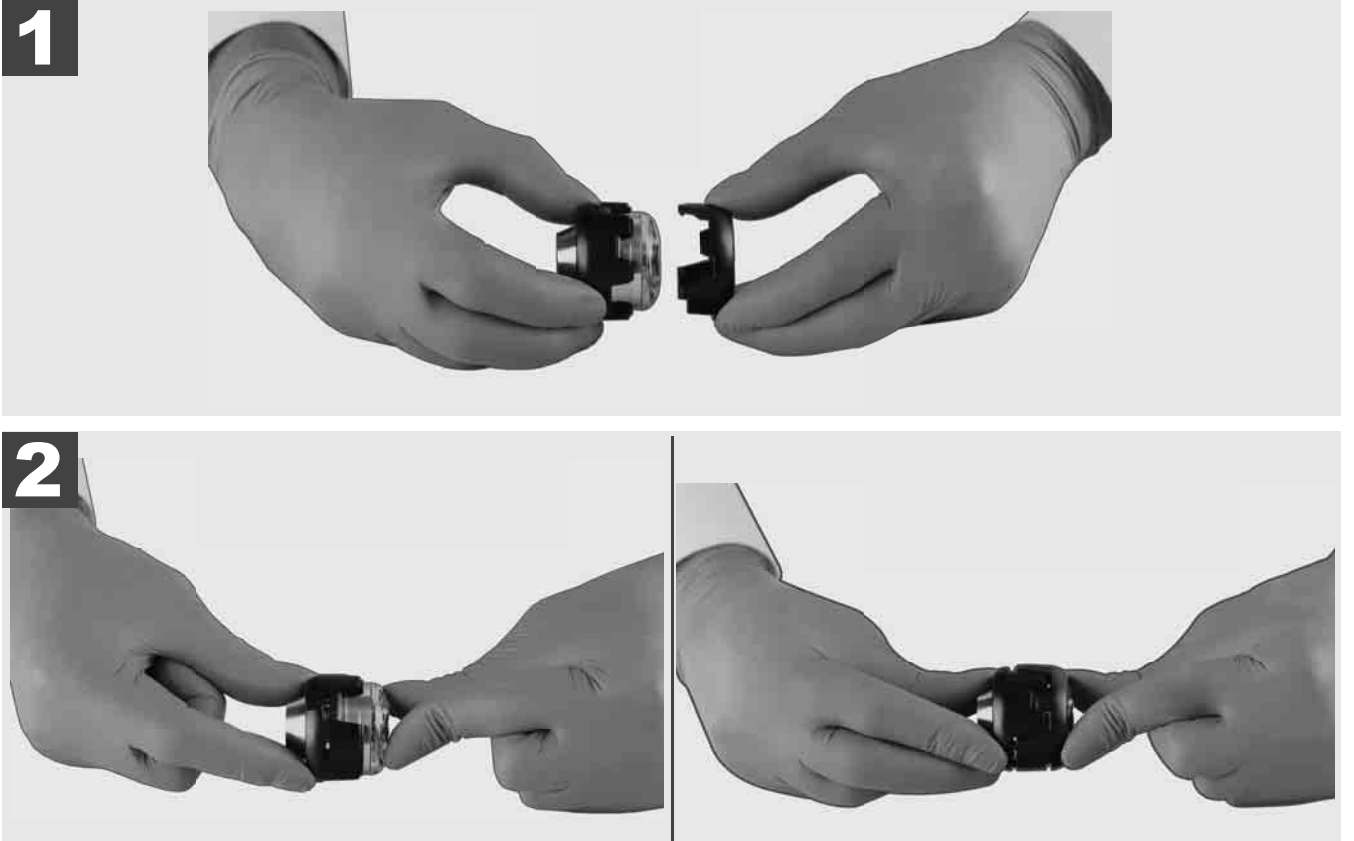
Kılavuzlar – Kamera başının zemin üzerinde gitmesi ve boruyla doğrudan temas etmemesi için yay grubu üzerine yerleştirilirler.



#### Koruma kapağının çıkartılması



#### Koruma kapağının takılması



### 3.11 Kamera kılavuzları



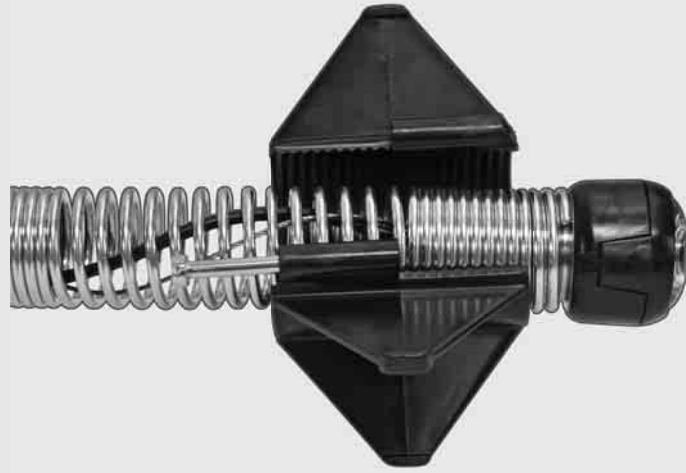
25 mm veya 34 mm genişliğindeki kamera başlarının her biri için iki kılavuz bulunmaktadır: 75 mm genişliğinde küçük ve 100 mm genişliğinde orta bir model.

Kamera kılavuzu 25 mm

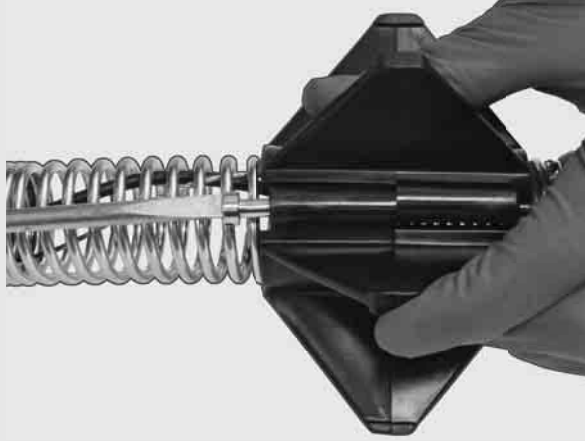
Kamera kılavuzu 34 mm



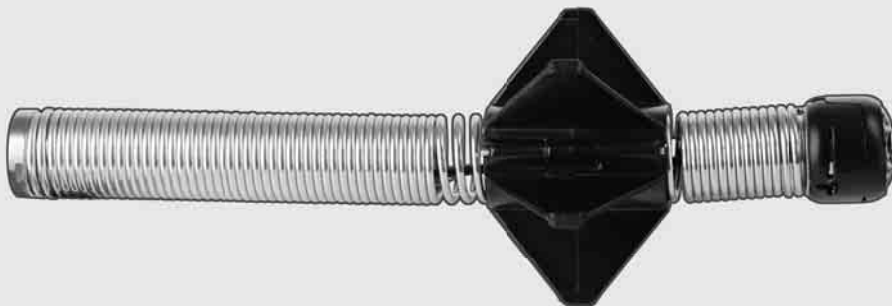
1



2



3



### 3.12 Servis ve Destek


BORU GÖRÜNTÜLEME SİSTEMİNİZİN tamir edilmesi gerektiğinde SERVİS VE DESTEK üzerinden bütün önemli telefon numaralarını içeren Milwaukee takımları servis sayfasına ulaşabilirsiniz.

**AYARLAR**  → **SERVİS VE DESTEK** seçin.




**Milwaukee**  
Nothing but **HEAVY DUTY**®

click →



**M18 SIC36**  
**M18 SIC60**  
**M18 SISH**

click →



**M18 SIM**

click

1	Všeobecná upozornění .....	2
1.1	Zvláštní bezpečnostní předpisy pro systémy na kontrolu trubek .....	2
1.2	Další bezpečnostní a pracovní pokyny .....	2
1.3	Technická data .....	3
1.4	Použití k určenému účelu.....	3
1.5	Požadavky na rádiovou frekvenci vzhledem k evropským instalacím .....	3
1.6	ES Prohlášení o shodě .....	4
1.7	ONE-KEY™ .....	4
1.8	Akumulátory .....	4
1.9	Přeprava lithium-iontových baterií.....	4
1.10	Údržba.....	4
1.11	Symboly .....	5
2	Smart Hub M18 SISH .....	6
2.1	Přehled Smart Hub M18 SISH .....	6
2.2	Vložení a vyjmutí akumulátoru .....	7
2.3	Kontrola stavu nabití akumulátoru .....	8
2.4	Vložení Smart Hub M18 SISH .....	9
2.5	Odstranění Smart Hub M18 SISH .....	10
2.6	Spínač zap/vyp.....	11
2.7	Připojení monitoru.....	12
2.8	USB porty.....	13
2.9	Uzemňovací tyč .....	14
2.10	Vynulování počítačové délky .....	15
2.11	Testovací přípojka kamery .....	16
2.12	Formátování vnitřního disku a USB flash disku .....	17
2.13	Výrobní nastavení.....	18
2.14	Aktualizace systému .....	19
3	BUBNY NA KONTROLU TRUBEK.....	21
3.1	Přehled bubnu na kontrolu trubek M18 SIC36.....	21
3.2	Přehled bubnu na kontrolu trubek M18 SIC60.....	22
3.3	Instalace zařízení na přenášení .....	23
3.4	Odejmutí zařízení na přenášení .....	24
3.5	Instalace bezdrátového monitoru M18 SIM .....	25
3.6	Nastavení bezdrátového monitoru M18 SIM .....	26
3.7	Používání bubnu na kontrolu trubek .....	27
3.8	Konstrukční skupina hlavy kamery .....	28
3.9	Konstrukční skupina pružin .....	29
3.10	Ochranný kryt kamery .....	30
3.11	Vedení kamery .....	31
3.12	Servis a podpora.....	32

## 1.1 Zvláštní bezpečnostní předpisy pro systémy na kontrolu trubek

Při práci v trubkách dbejte na to, aby nebyly pod napětím nebo nebyly elektricky nabitě. Trubky nesmí obsahovat kapalinu. Kamera a přístroj se nesmí dostat do kontaktu s kapalinou.

Kamera a kabel se nesmí dostat do kontaktu s olejem, plynem nebo jinými korodujícími materiály.

Aby se snížilo riziko výbuchu, zásahu elektrickým proudem a hmotných škod, vždy před pracemi zkontrolujte pracovní prostor. Kabel nesmí přijít do kontaktu s elektrickými komponenty, chemikáliemi nebo pohyblivými díly.

Aby se snížilo riziko vzniku škod na zařízení, nepoužívejte nadměrnou sílu a kabel nezalamujte. Kontrolní kameru a kabel nepoužívejte v oblastech, kde by mohly přijít do kontaktu se žíravými nebo olejovými látkami.

Kabel nepoužívejte na odstranění ucpání nebo překážek. Kabel není určen k čištění potrubí!

Pokud by odtoková trubka, která se má kontrolovat, mohla obsahovat chemikálie, bakterie nebo jiné toxické látky nebo původce nákazy, použijte ochranné rukavice doporučené výrobcem, latexové nebo gumové rukavice a ochranné rukavice, ochranu obličeje, ochranný oděv a ochrannou dýchací masku. Potrubí může obsahovat chemikálie, bakterie nebo jiné látky, které jsou toxické nebo infekční a mohou vyvolat poleptání nebo jiná závažná poranění.

Respektujte hygienické předpisy. Během používání přístroje nejezte a nekuřte. Po manipulaci nebo po použití přístrojů na kontrolu potrubí je nutné si ruce a ostatní části těla, které se dostaly do kontaktu s obsahem potrubí, vždy umýt teplou vodou a mýdlem. Tak zabráníte vzniku zdravotních rizik na základě kontaktu s toxickými nebo infekčními látkami.

Před použitím kabel zkontrolujte, jestli na něm nejsou stopy opotřebení a poškození. Opotřeбенý nebo poškozený kabel před použitím přístroje na kontrolu potrubí vyměňte.

**POZOR!** Při přepravě systému na kontrolu trubek pomocí přenosného zařízení na zádech se vyžaduje opatrnost. Mohli byste ztratit rovnováhu.

Přístroj používejte vždy obezřetně a opatrně. Je nemožné předvídat všechny rizikové situace. Tento přístroj nepoužívejte, pokud nechápete předložený návod nebo se cítíte přetížení prací. Pro další informace nebo školení se obraťte na Milwaukee nebo na kvalifikovaného odborníka.

Etikety a typové štítky neodstraňujte. Tyto štítky obsahují důležité informace. Pokud jsou tyto štítky s pokyny nečitelné nebo chybějí, obraťte se na servisní centrum pro zákazníky spol. MILWAUKEE, abyste bezplatně získali jejich náhradu.

Některý prach způsobený brousicími, řezacími a vrtacími stroji nebo jinými stavebními činnostmi mohou obsahovat chemické látky, které jsou rakovinotvorné, vedou k poškozením při narození nebo omezují schopnost rozmnožování. Příklady pro tento druh chemických látek jsou:

- Olovo z barev na bázi olova,
- krystalický oxid křemičitý z cihel, cementu nebo jiných zednických produktů, a také
- arzen nebo chrom z chemicky ošetřovaného dřeva.

Riziko expozice závisí na tom, jak často vykonáváte tento druh činnosti. Aby se riziko expozice udržovalo tak malé, jak je to možné, pracujte vždy v dobře větraných prostorech. Noste oficiálně schválené ochranné vybavení, jako například ochranné masky s filtrem na mikročástice.

## 1.2 Další bezpečnostní a pracovní pokyny

Akumulátor nevyměňujte, když je povrch nástroje mokrá.

Použité akumulátory nespalujte ani nevyhazujte do domovního odpadu. Odborní prodejci Milwaukee nabízejí ekologickou likvidaci starých akumulátorů.

Náhradní akumulátor neskladujte s kovovými předměty (nebezpečí zkratu).

Akumulátory systému M18 nabíjejte pouze nabíječkou systému M18. Nepoužívejte žádné akumulátory z jiných systémů.

Při extrémní zátěži či vysoké teplotě může z akumulátoru vytékat kapalina. Při zasažení touto kapalinou okamžitě zasažená místa omyjte vodou a mýdlem. Při zasažení očí okamžitě důkladně po dobu alespoň 10 minut omývat a neodkladně vyhledat lékaře.

**Varování!** Abyste zabránili nebezpečí požáru způsobeného zkratem, poraněním nebo poškozením výrobku, nepoňujte přístroj, akumulátor nebo nabíječku do kapalin a zajistěte, aby do zařízení a akumulátorů nevnikly žádné tekutiny. Korodující nebo vodivé kapaliny, jako je slaná voda, určité chemikálie a bělicí prostředky nebo výrobky, které obsahují bělidlo, mohou způsobit zkrat.

Tento přístroj nesmí obsluhovat nebo čistit osoby se sníženými tělesnými, smyslovými nebo duševními schopnostmi, resp. s nedostatečnými zkušenostmi nebo znalostmi, ledaže by byly poučeny osobou ze zákona zodpovědnou za jejich bezpečnost o bezpečné manipulaci s přístrojem. Výše uvedené osoby vyžadují při používání přístroje dozor. Tento přístroj nepatří do rukou dětem. Proto když se nepoužívá, musí být uložen bezpečně a mimo dosah dětí.

### 1.3 Technická data

	M18 SIC36	M18 SIC60	M18 SISH
Délka kabelu kamery.....	36 m.....	60 m	
Hlava kamery .....	ø 25 mm.....	ø 34 mm	
Max. zvětšení .....	4x .....	4x	
Napětí akumulátoru.....			18 V
Hmotnost podle prováděcího předpisu EPTA 01/2014 (4.0 Ah / 12 Ah)...	12,4 kg.....	20,46 kg.....	5,37 kg
Frekvenční pásmo (frekvenční pásma) Bluetooth.....			2402-2480 MHz
Vysokofrekvenční výkon .....			1,8 dBm
Verze Bluetooth.....			4.0 BT signální režim
Doporučená okolní teplota při práci .....		-18 .... +50 °C	
Doporučené typy akumulátorů .....		M18B....; M18HB....	
Doporučené nabíječky .....		M12-18C, M12-18AC, M12-18FC, M1418C6	

### 1.4 Použití k určenému účelu

Systém na kontrolu trubek slouží k prohlídce a kontrole potrubí. Systém se skládá ze tří modulů:

#### - Buben na kontrolu trubek M18 SIC36 nebo M18 SIC60

Buben na kontrolu trubek slouží pro navíjení a odvíjení a na ovládání zasouvacího kabelu. Bubny jsou dostupné ve dvou velikostech: M18SIC36 pro trubky s průměrem 50 mm až 150 mm a větší model M18SIC60 pro trubky s průměrem od 75 mm do 250 mm.

Oba bubny obsahují zasouvací kabel s pružinovým konstrukčním celkem, na kterém je namontovaná samonivelační hlava kamery. Bezdrátový monitor M18 SIM a Smart Hub M18 SISH se mohou používat s oběma bubny.

Oba bubny se mohou používat jak svisle, tak i vodorovně. Na zadní straně M18 SIC36 se může upevnit zařízení na přenášení, aby bylo možné nosit přístroj na zádech.

#### - Smart Hub M18 SISH

Smart Hub M18 SISH slouží na řízení systému pro kontrolu trubek.

Bezdrátový monitor M18 SIM nebo tablet, na kterém je nainstalovaná aplikace na kontrolu trubek Milwaukee®, se spojuje se Smart Hub M18 SISH, aby bylo možné přijímat videonahrávky a obrázky. Jak videa, tak obrázky se ukládají na interní jednotce Smart Hub M18 SISH.

#### - Bezdrátový monitor M18 SIM (není součástí dodávky; můžete zakoupit samostatně)

Bezdrátový monitor M18 SIM umožňuje prohlížení videí zaznamenaných hlavou kamery, záznam videí a fotografií a také přehrávání souborů s videem a obrázky. Během videozáznamu se mohou přes interní mikrofon zaznamenávat mluvené komentáře. Přes funkci „Označení“ se mohou také připojit texty komentáře. Texty komentáře se zobrazí v zaznamenaném videu a objeví se na fotografiích společně s datem, časem a odvinutou délkou kabelu.

Toto zařízení lze používat jen pro uvedený účel.

### 1.5 Požadavky na rádiovou frekvenci vzhledem k evropským instalacím

Upozornění: Tento přístroj byl vyzkoušený a dodržuje mezní hodnoty přijímače kategorie 3 podle EN 300 440 V2.1.1.

Tyto mezní hodnoty by měly zabezpečit přiměřenou ochranu před radiotechnickými poruchami v obytných budovách.

Tento přístroj reaguje na jiné přístroje, které vysílají rádiové vlny ve frekvenčním rozsahu od 2402 do 2480 MHz. Tím může dojít k poruchám při používání dálkového ovládání. Není možné vyloučit, že se za určitých okolností projeví poruchy. Aby bylo možné zjistit, jestli je tento přístroj rušený rádiovými signály jiných přístrojů, na krátkou dobu vypněte ostatní přístroje, abyste zkontrolovali, jestli pak poruchy zmizí. K odstranění poruch mohou pomoci následující opatření:

- Vypněte zdroj proudu.
- Zvyšte vzdálenost od zdroje rušení.



- Poradte se s odborným prodejcem nebo kvalifikovaným rádiovým technikem.

## 1.6 ES Prohlášení o shodě

Tímto Techtronic Industries GmbH prohlašuje, že typ rádiového zařízení M18SISH je v souladu se směrnicí 2014/53/EU. Úplné znění EU prohlášení o shodě je k dispozici na této internetové adrese: <http://services.milwaukeeetool.eu>

## 1.7 ONE-KEY™

Abyste se dozvěděli více o funkci ONE-KEY tohoto přístroje, přečtěte si příložený návod na rychlý start nebo nás navštivte na internetu na [www.milwaukeeetool.com/one-key](http://www.milwaukeeetool.com/one-key). Aplikaci ONE-KEY si na váš chytrý telefon můžete stáhnout přes App Store nebo Google Play.

Pokud dojde k elektrostatickým výbojům, spojení Bluetooth se přeruší. V tomto případě znovu manuálně obnovte spojení.

Přístroj odpovídá minimálním požadavkům podle EN 55014-2:2015 / EN 301489-1 V2.2.3 / EN 301489-17 V3.1.1.

### Indikátor ONE-KEY™

Modré světlo: Rádiové spojení je aktivní a může se nastavit přes aplikaci ONE-KEY™.

Modré blikání: Přístroj komunikuje s aplikací ONE-KEY™.

Červené blikání: Přístroj byl zablokovaný z bezpečnostních důvodů a obsluha jej může odblokovat přes aplikaci ONE-KEY™.

## 1.8 Akumulátory

Déle nepoužívané akumulátory je nutné před použitím znovu nabít.

Teplota přes 50°C snižuje výkon akumulátoru. Chraňte před dlouhým přehříváním na slunci či u topení.

Kontakty nabíječky a akumulátoru udržujte v čistotě.

Pro optimální životnost je nutné akumulátory po použití plně dobít.

K zabezpečení dlouhé životnosti by se akumulátory měly po nabití vyjmout z nabíječky.

Při skladování akumulátoru po dobu delší než 30 dní:

Skladujte akumulátor v suchu při teplotě nižší než 27°C.

Skladujte akumulátor při cca 30%-50% nabíjecí kapacity.

Opakujte nabíjení akumulátoru každých 6 měsíců.

## 1.9 Přeprava lithium-iontových baterií

Lithium-iontové baterie spadají podle zákonných ustanovení pod přepravu nebezpečného nákladu.

Přeprava těchto baterií se musí realizovat s dodržováním lokálních, vnitrostátních a mezinárodních předpisů a ustanovení.

- Spotřebitelé mohou tyto baterie bez problémů přepravovat po komunikacích.
- Komerční přeprava lithium-iontových baterií prostřednictvím přepravních firem podléhá ustanovením o přepravě nebezpečného nákladu. Přípravu k vyexpedování a samotnou přepravu smějí vykonávat jen příslušně vyškolené osoby. Na celý proces se musí odborně dohlížet.

Při přepravě baterií je třeba dodržovat následující:

- Zajistěte, aby kontakty byly chráněné a izolované, aby se zamezilo zkratům.
- Dávejte pozor na to, aby se akumulátor uvnitř balení nemohl sesmeknout.
- Poškozené a vyteklé baterie se nesmějí přepravovat.

Ohledně dalších informací se obraťte na vaši přepravní firmu.

## 1.10 Údržba

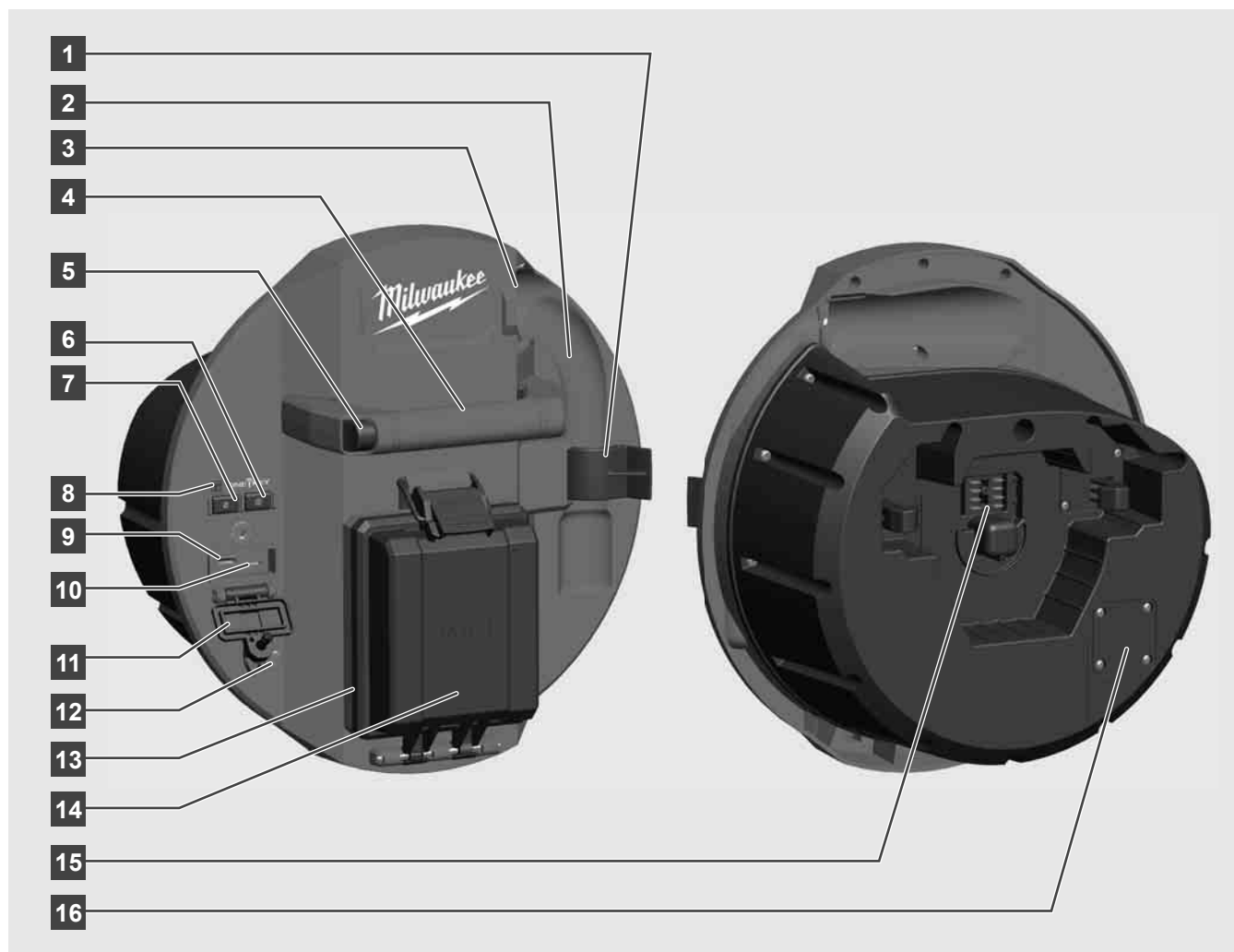
Používejte výhradně náhradní díly a příslušenství Milwaukee. Díly, jejichž výměna nebyla popsána, nechte vyměnit v odborném servisu Milwaukee. (Viz záruční list.)

V případě potřeby si můžete v servisním centru pro zákazníky nebo přímo od firmy Techtronic Industries GmbH, Max-Eyth-Straße 10, 71364 Winnenden, Německo vyžádat schematický náčrt jednotlivých dílů přístroje, když uvedete typ přístroje a šestimístné číslo na výkonovém štítku.

## 1.11 Symboly

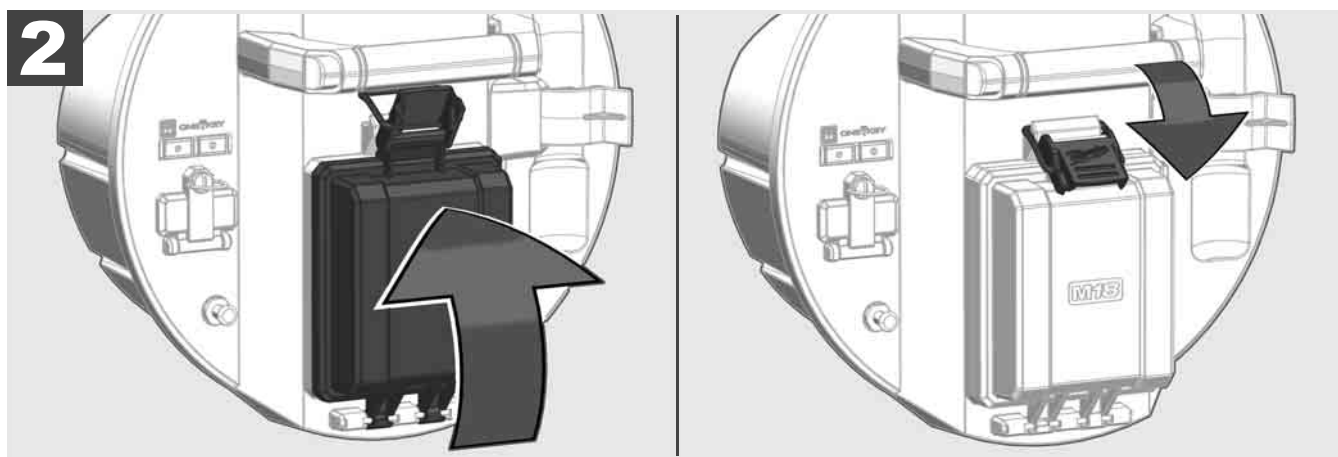
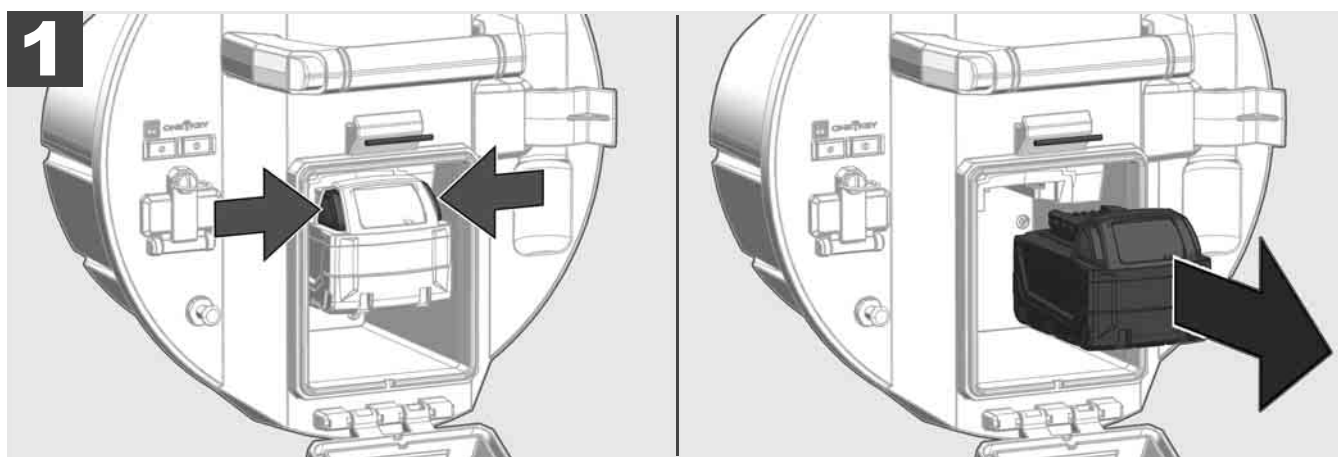
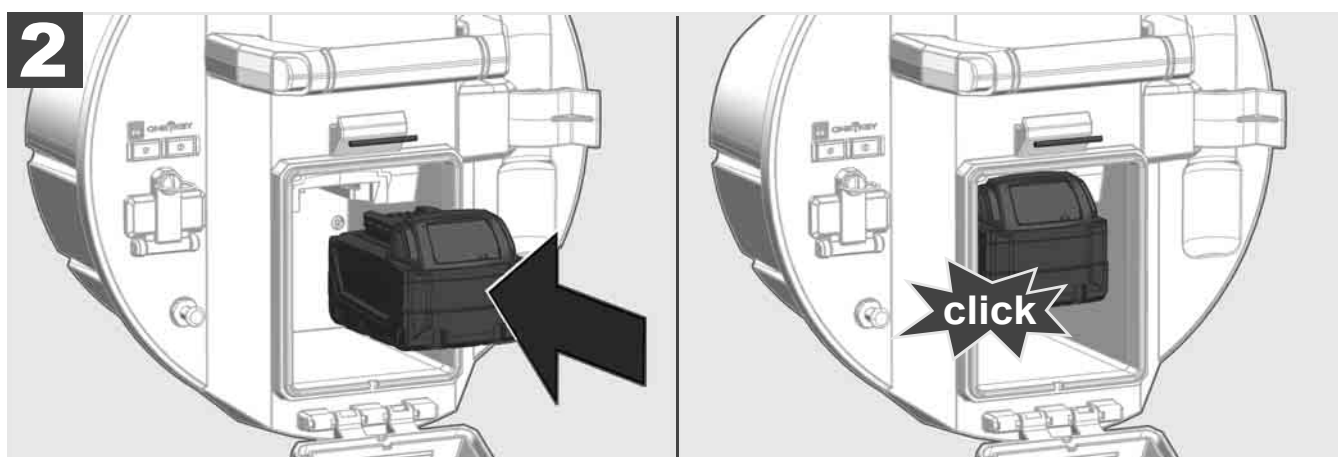
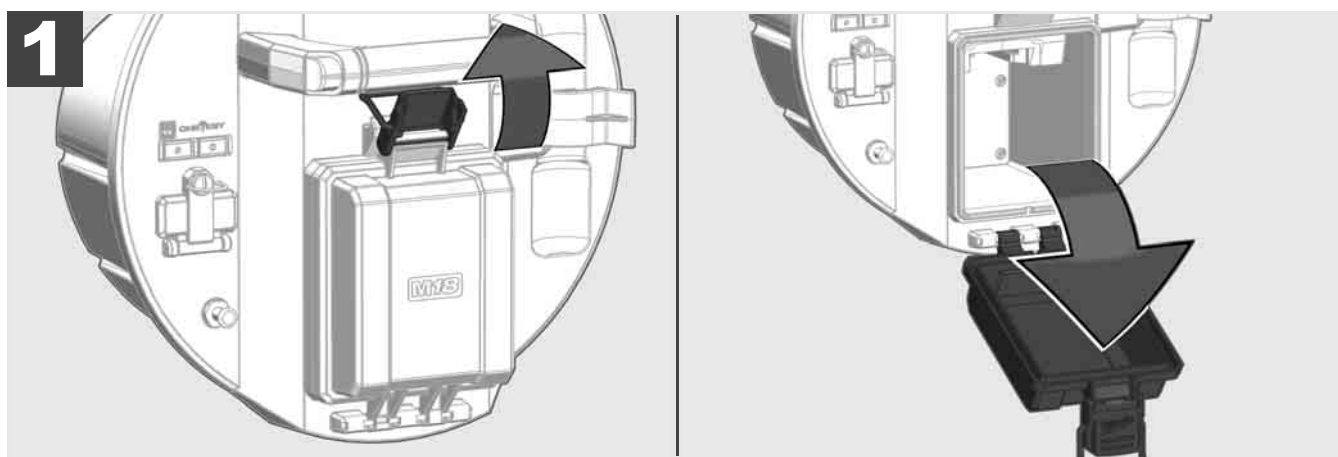
	POZOR! VAROVÁN! NEBEZPEČÍ!
	Před zahájením veškerých prací na přístroji vyjměte akumulátor.
	Před spuštěním stroje si pečlivě přečtěte návod k používání.
	Používejte ochranné rukavice!
	Při práci s přístrojem neustále noste ochranné brýle.
	Elektrická zařízení, baterie/akumulátory se nesmí likvidovat společně s odpadem z domácností. Elektrická zařízení, baterie/akumulátory je třeba sbírat odděleně a odevzdat je v recyklačním podniku na ekologickou likvidaci. Na místních úřadech nebo u vašeho specializovaného prodejce se informujte na recyklační podniky a sběrná místa.
	Napětí
	Stejnoseměrný proud
	Značka shody v Evropě
	Britská značka shody
	Značka shody na Ukrajině
	Značka shody pro oblast Eurasie

### 2.1 Přehled Smart Hub M18 SISH



- 1 Pružinová pojistná svorka – Pro zabezpečení pružin a kamery během přepravy.
- 2 Uchycení pružiny – Drží pružinu a kameru během přepravy a uskladnění na místě.
- 3 Vedení kabelu – Před zaskočením Smart Hub provlečte pružinu a zasouvací kabel skrz vedení.
- 4 Držadlo
- 5 Uvolňovací tlačítko – Stiskněte toto tlačítko, abyste Smart Hub uvolnili z bubnu na kontrolu trubek.
- 6 Hlavní vypínač – Jednou krátce stiskněte, abyste zapnuli přístroj; podržte stisknutý, abyste přístroj vypnuli.
- 7 Včetně délky kabelu do původního stavu – Nastaví délku odvinutého kabelu na nulu.
- 8 LED-displej ONE-KEY
- 9 USB-A-port – Na nepřímé ukládání videí a fotografií, a pro aktualizaci firmware.
- 10 USB-C-port – Volitelná napájecí a datová přípojka na spojení bezdrátového monitoru M18 SIM se Smart Hub.
- 11 Kryt USB-přípojky – Vodotěsný kryt, který chrání USB-přípojky před prachem a vlhkostí.
- 12 Uzemňovací tyč – Na uzemnění Smart Hub při sledování zasouvacího kabelu.
- 13 Kryt akumulátoru – Vodotěsný kryt, který chrání akumulátor před prachem a vlhkostí.
- 14 Příhrádka na akumulátor – Pro akumulátor M18™
- 15 Přípojka na spojení Smart Hub a bubnu na kontrolu trubek.
- 16 Testovací přípojka kamery – Na odstraňování chyb při problémech s hlavou kamery

## 2.2 Vložení a vyjmutí akumulátoru



## 2.3 Kontrola stavu nabití akumulátoru



78-100 %



55-77 %



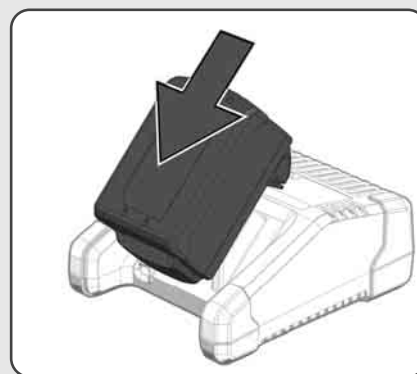
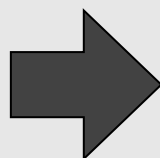
33-54 %

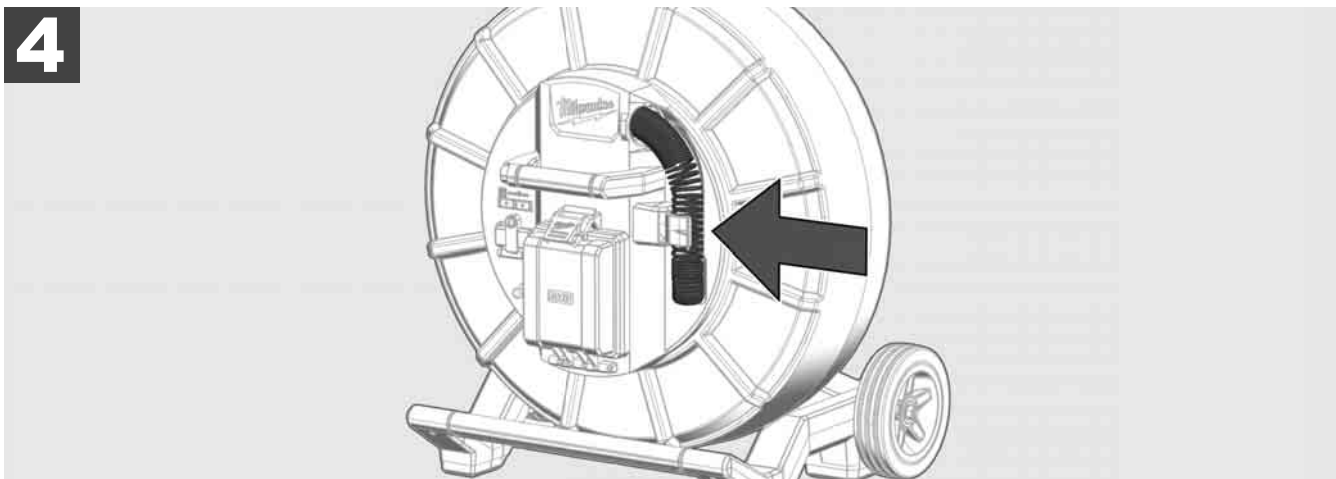
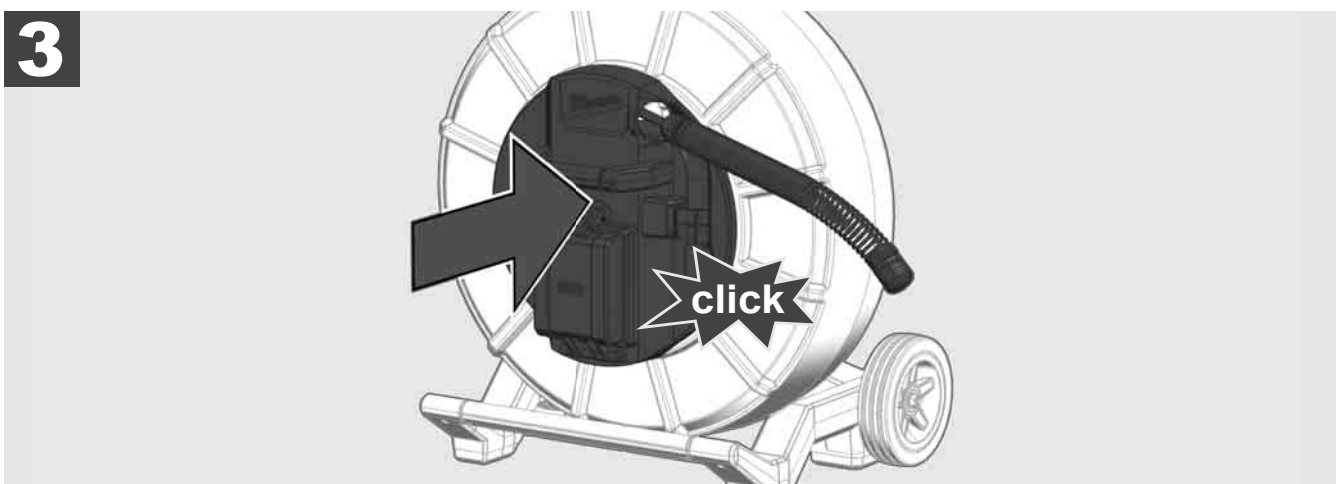
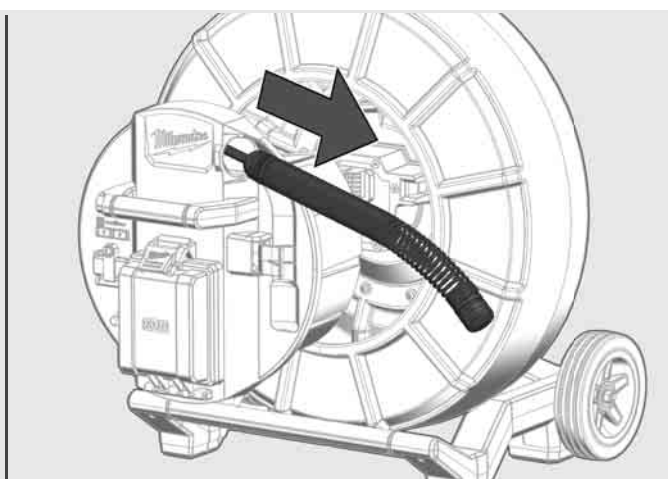
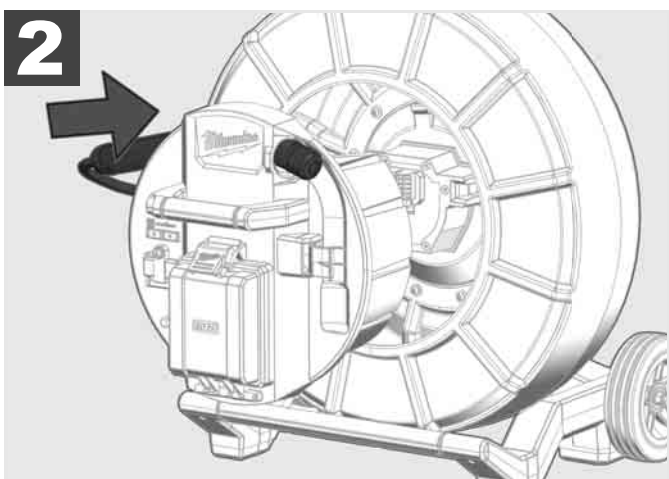
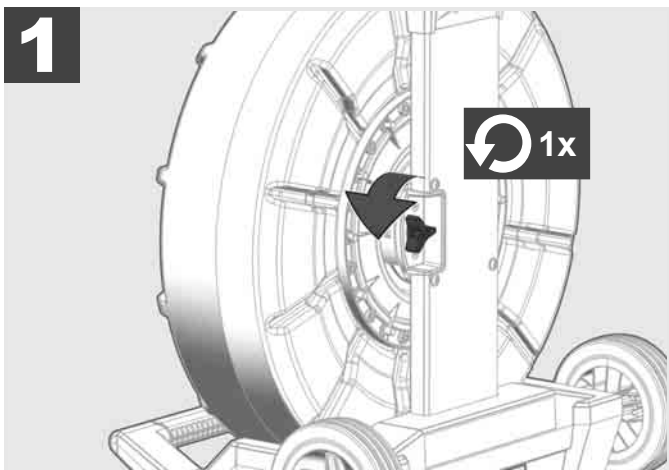


10-32 %



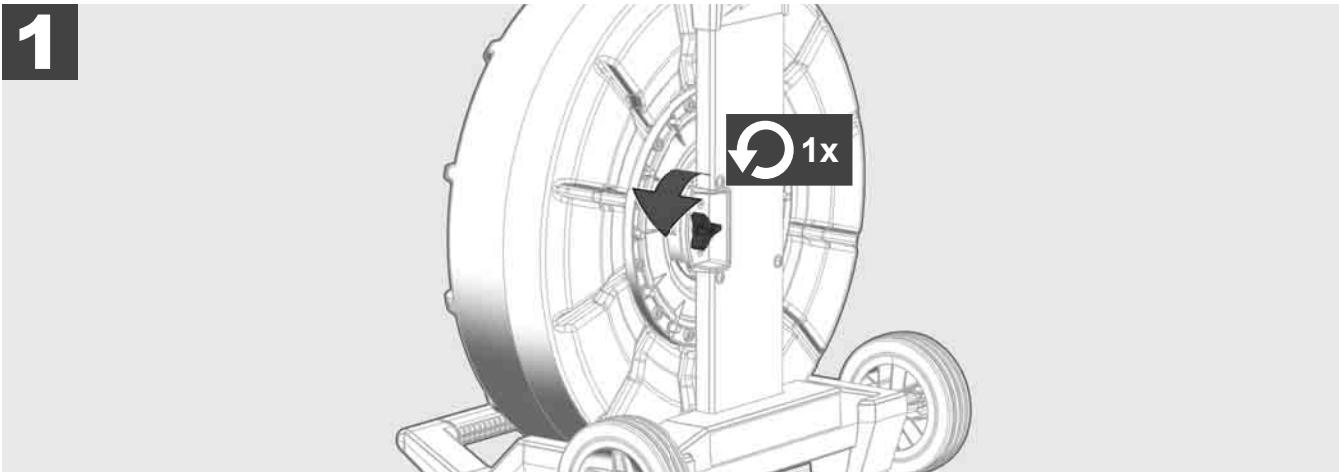
< 10 %



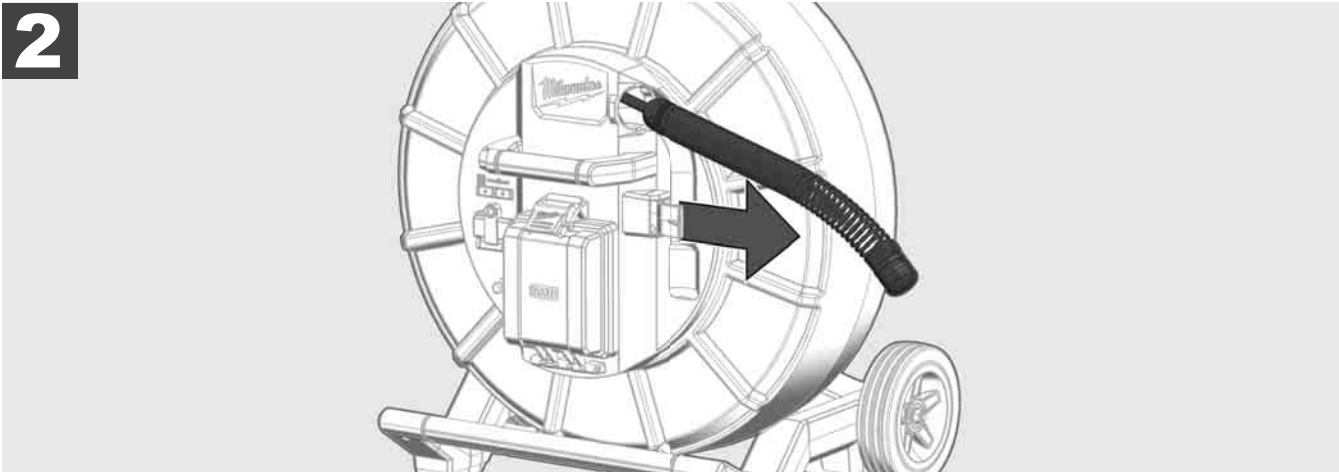




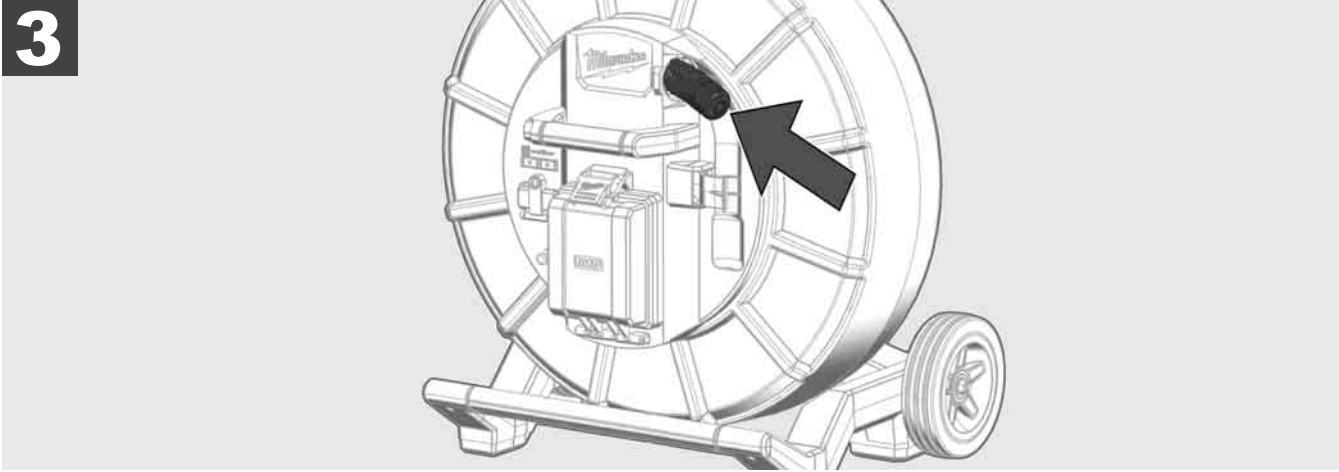
**1**



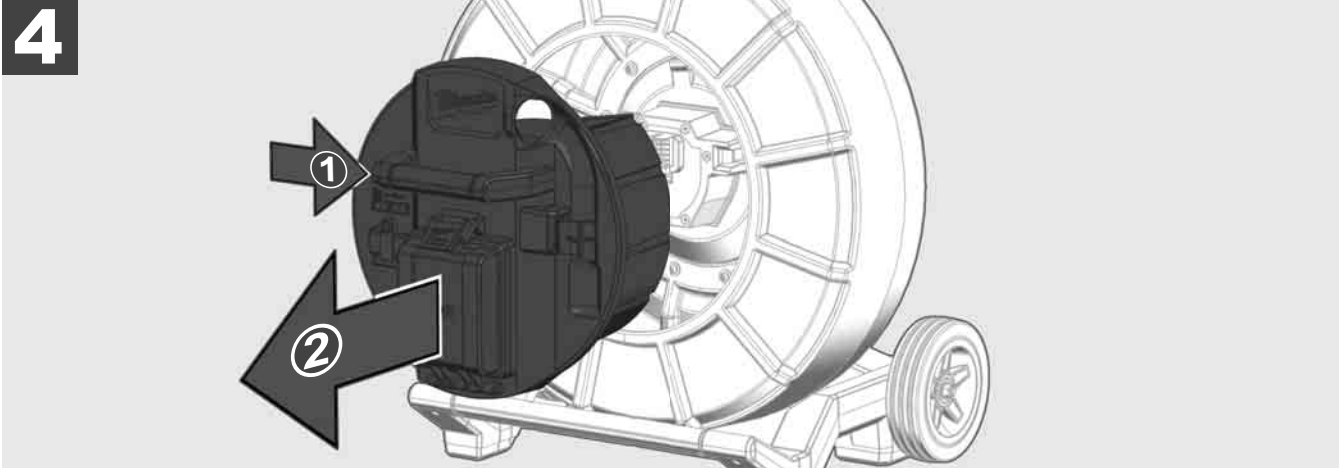
**2**



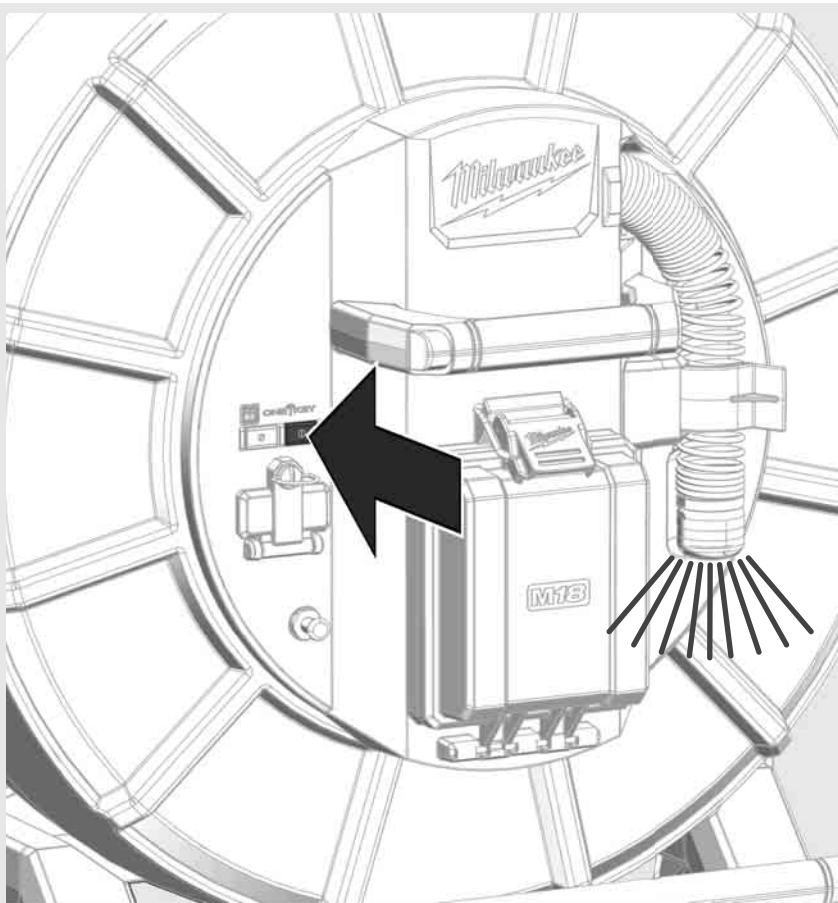
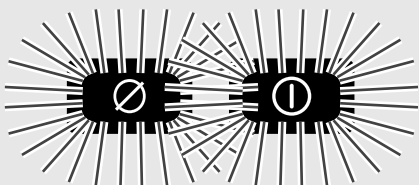
**3**



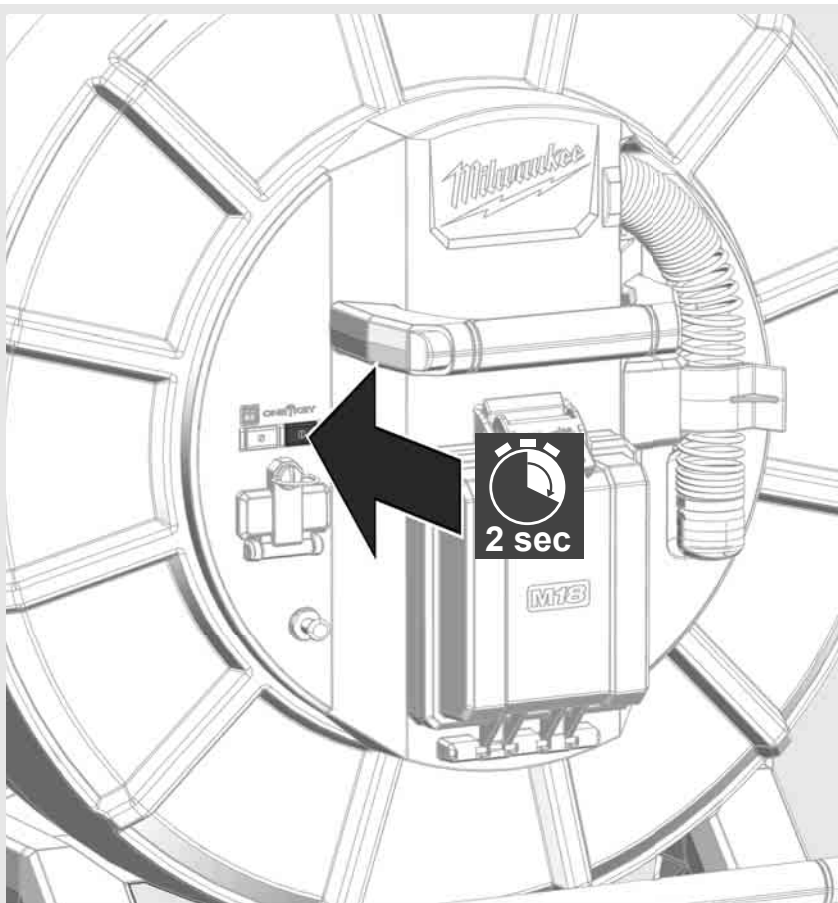
**4**



# ON



# OFF





## 2.7 Připojení monitoru

Aby bylo možno změnit nastavení SYSTÉMU NA KONTROLU TRUBEK, ovládat jeho funkce a zobrazit obrázky a videa zaznamenané kamerou, bude potřebné externí zobrazovací zařízení.

Externí zobrazovací zařízení není součástí dodávky SYSTÉMU NA KONTROLU TRUBEK a musí se koupit samostatně.

K dispozici jsou následující možnosti:

- MILWAUKEE BEZDRÁTOVÝ MONITOR M18 SIM
- Tablet nebo smartfon s APLIKACÍ NA KONTROLU TRUBEK MILWAUKEE

BEZDRÁTOVÝ MONITOR se připojuje přes WLAN nebo USB-C-port na SYSTÉM PRO KONTROLU TRUBEK a je ihned připravený na použití. Při použití tabletu nebo smartfonu nejdříve nainstalujte APLIKACI PRO KONTROLU TRUBEK MILWAUKEE na příslušném přístroji.

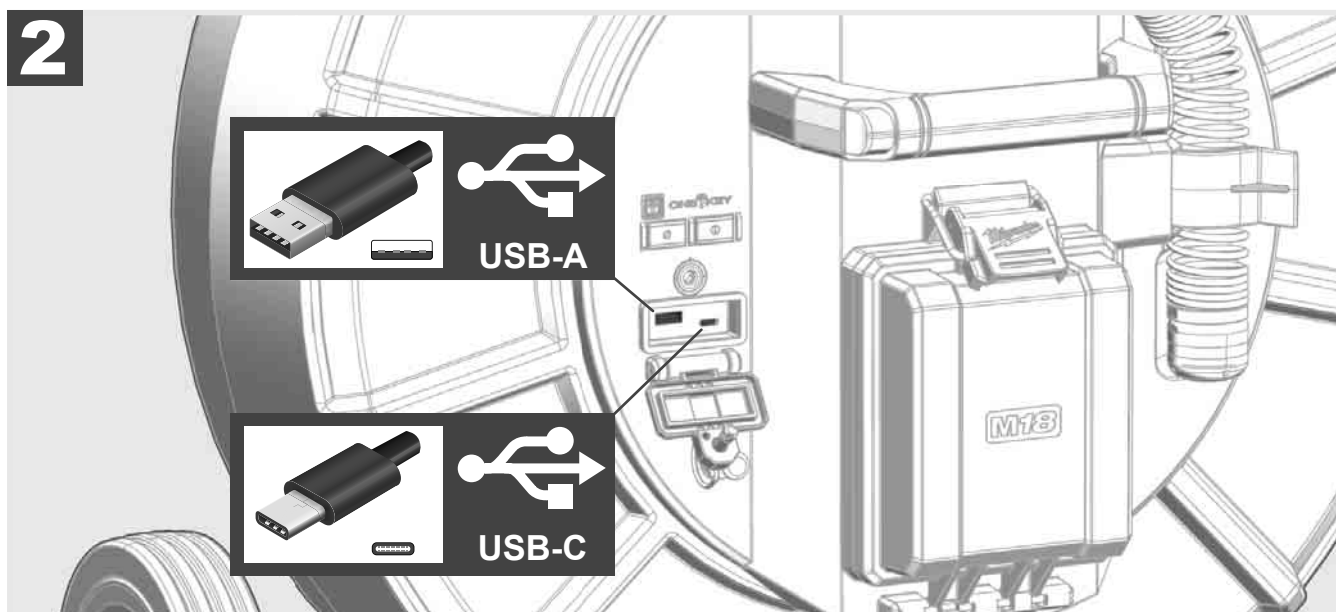
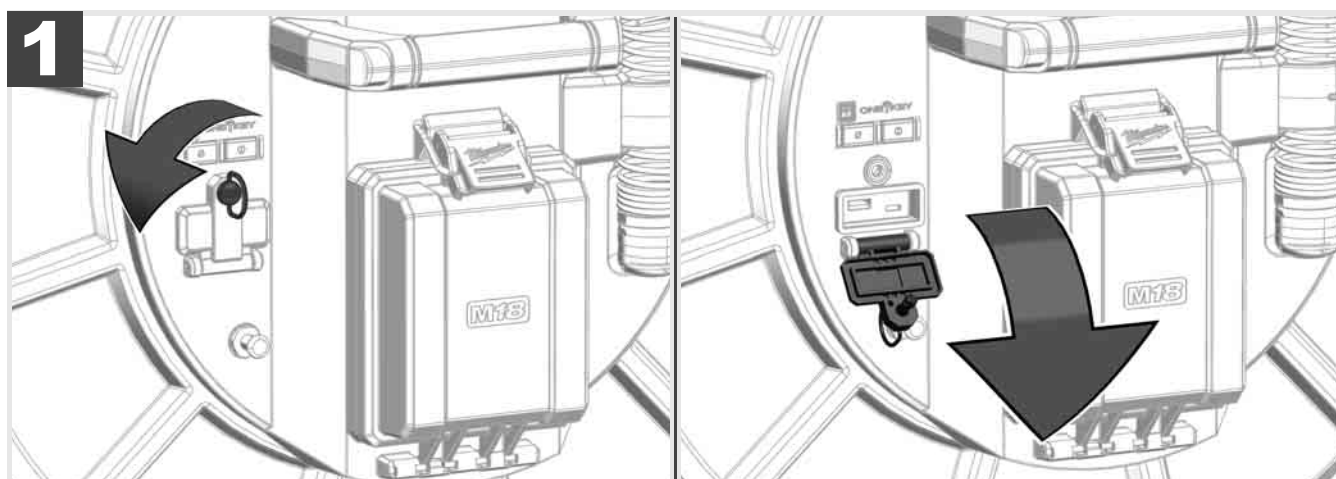
### **PRVNÍ POUŽITÍ S BEZDRÁTOVÝM MONITOREM M18 SIM:**

1. Zapněte SMART HUB a BEZDRÁTOVÝ MONITOR.
2. BEZDRÁTOVÝ MONITOR se během 25 sekund spojí automaticky se SMART HUB.

\*Pro kabelové spojení připojte monitor přes USB-C-kabel k Smart Hub.

### **PRVNÍ POUŽITÍ SE SMARTFONEM NEBO TABLETEM**

1. Stáhněte a nainstalujte APLIKACE NA KONTROLU TRUBEK MILWAUKEE.
2. Zapněte SMART HUB a zobrazovací zařízení.
3. Zvolte možnost Nastavení > WLAN.
4. Zvolte možnost MTCAM\_[LAST 9 DIGITS OF HUB SERIAL #].
5. Zadání hesla: 29702000
6. Spusťte APLIKACI NA KONTROLU TRUBEK MILWAUKEE.

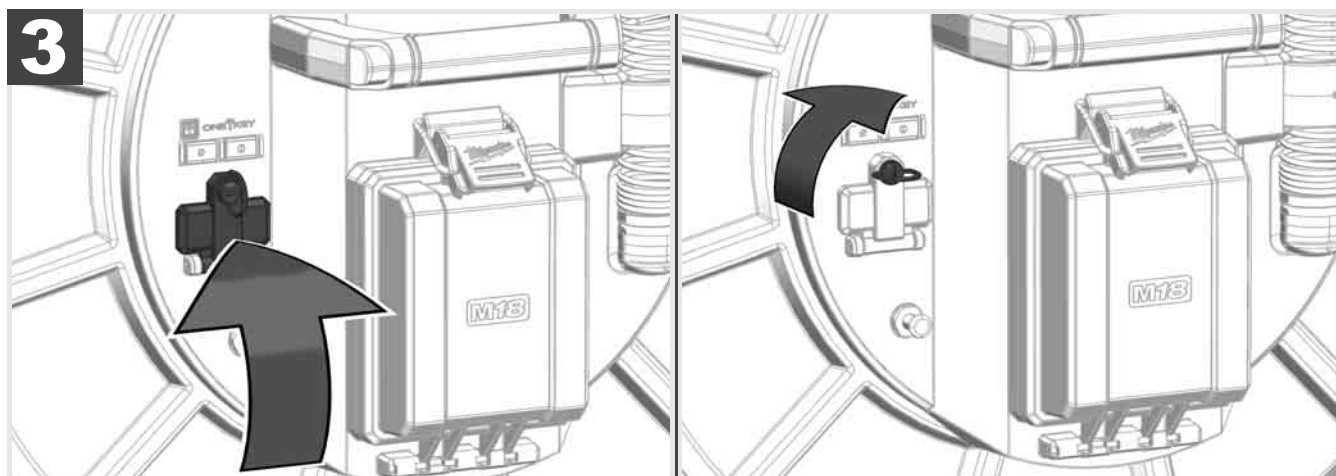


### USB-A

- Port na normální používání. Umožňuje přímý záznam videí a obrazových souborů, resp. jejich přenos z interní jednotky Smart Hub.
- Umožňuje realizaci aktualizace firmware na Smart Hub.

### USB-C

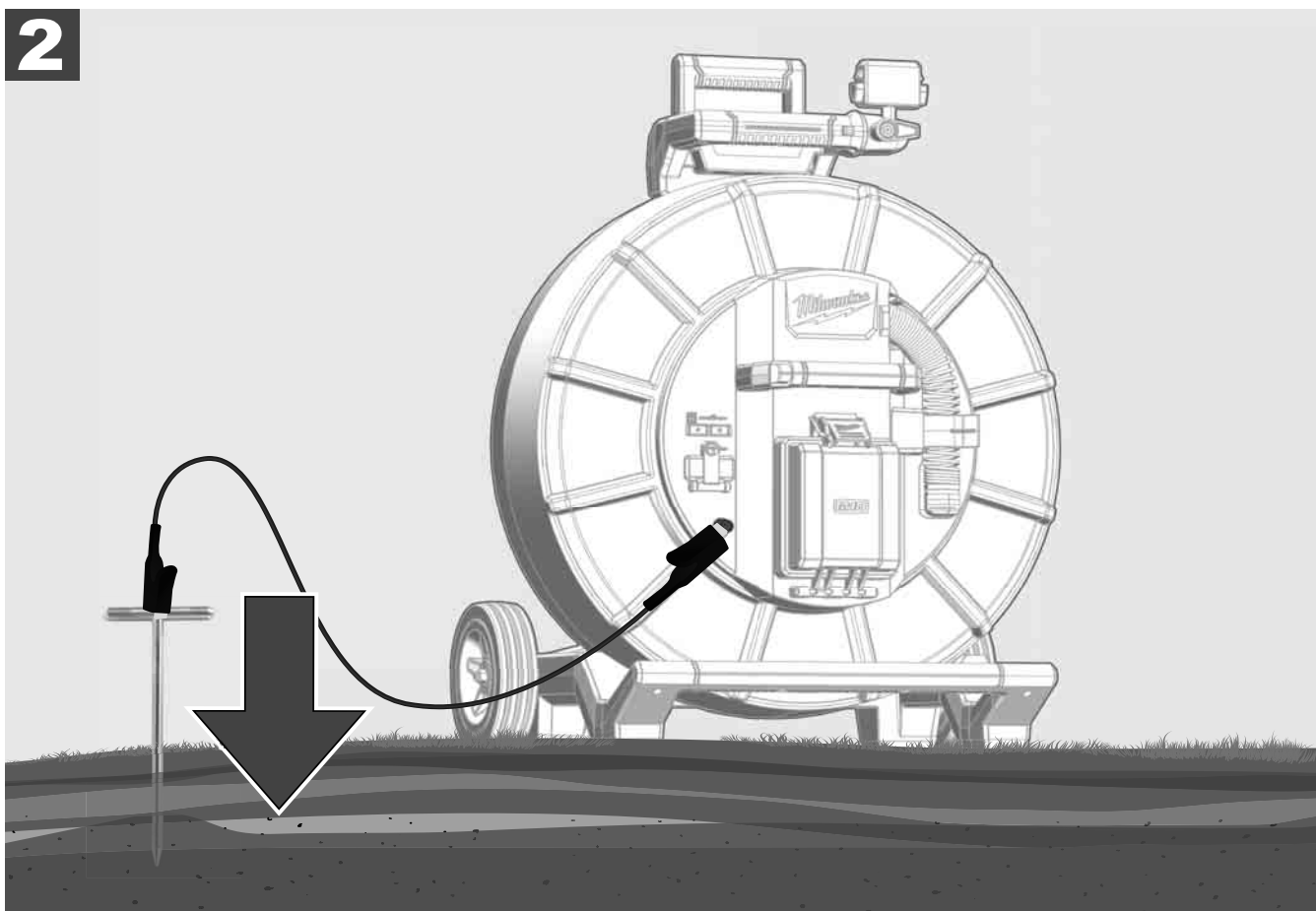
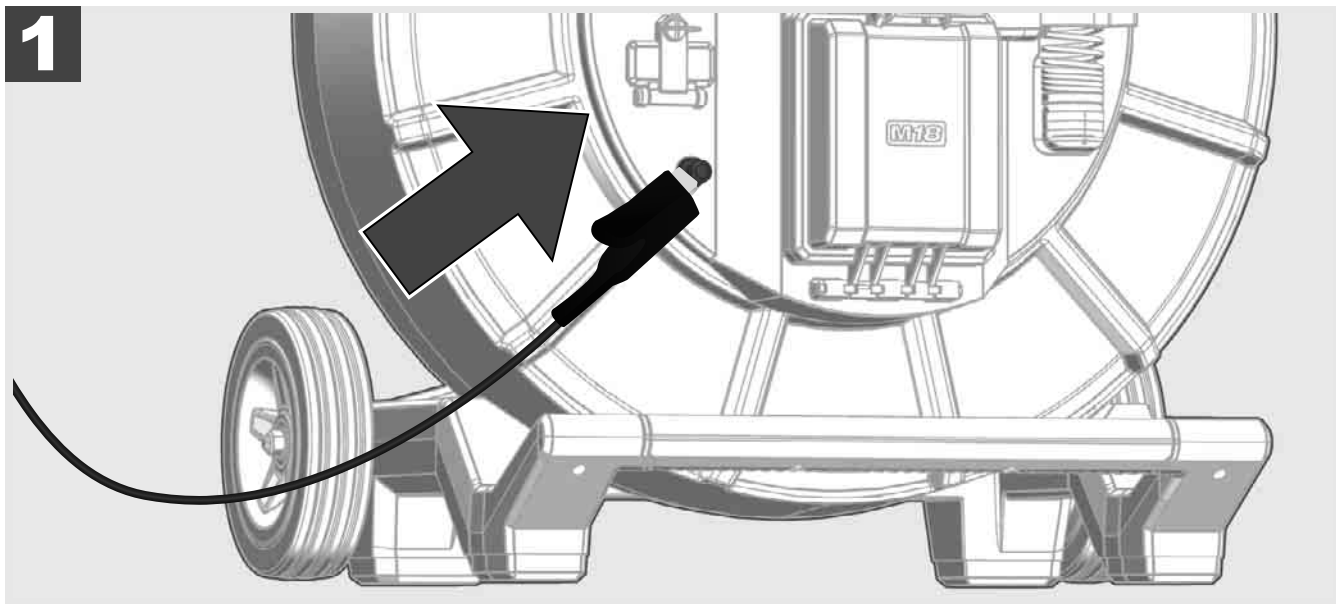
- Umožňuje spojení mezi bezdrátovým monitorem M18 SIM a Smart Hub bez spojení WLAN. Napájení Smart Hub přes bezdrátový monitor M18 SIM nebo opačně, když není akumulátor nabitý.



## 2.9 Uzemňovací tyč



Uzemňovací tyč se musí použít vždy tehdy, když zasouvací kabel disponuje funkcí SLEDOVÁNÍ KABELU. Smart Hub se musí uzemnit, aby byla proudová smyčka uzavřena a vysílal se dobrý lokalizační signál. Pro uzemnění Smart Hub použijte dodaný uzemňovací kabel i s uzemňovací tyčí.

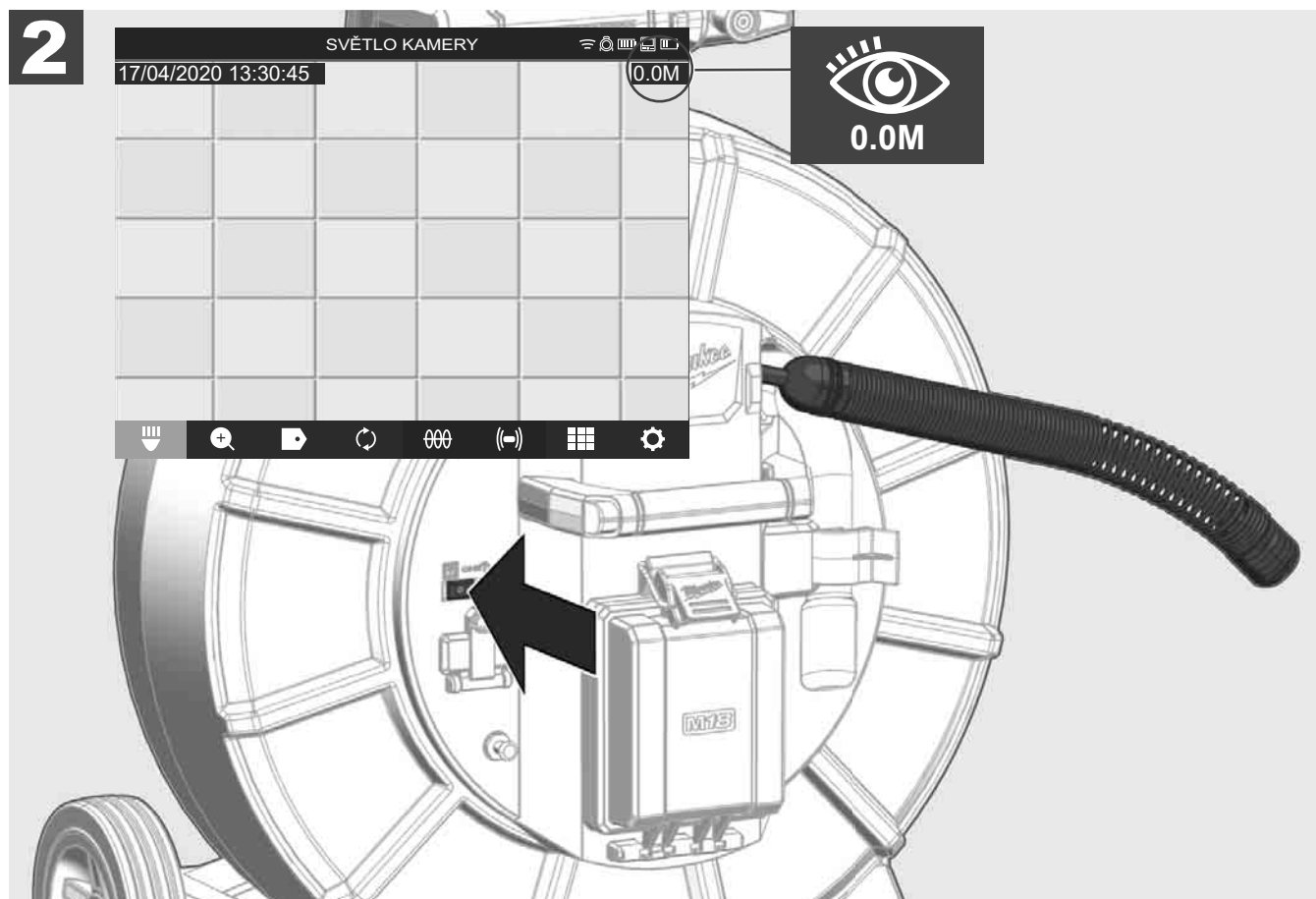
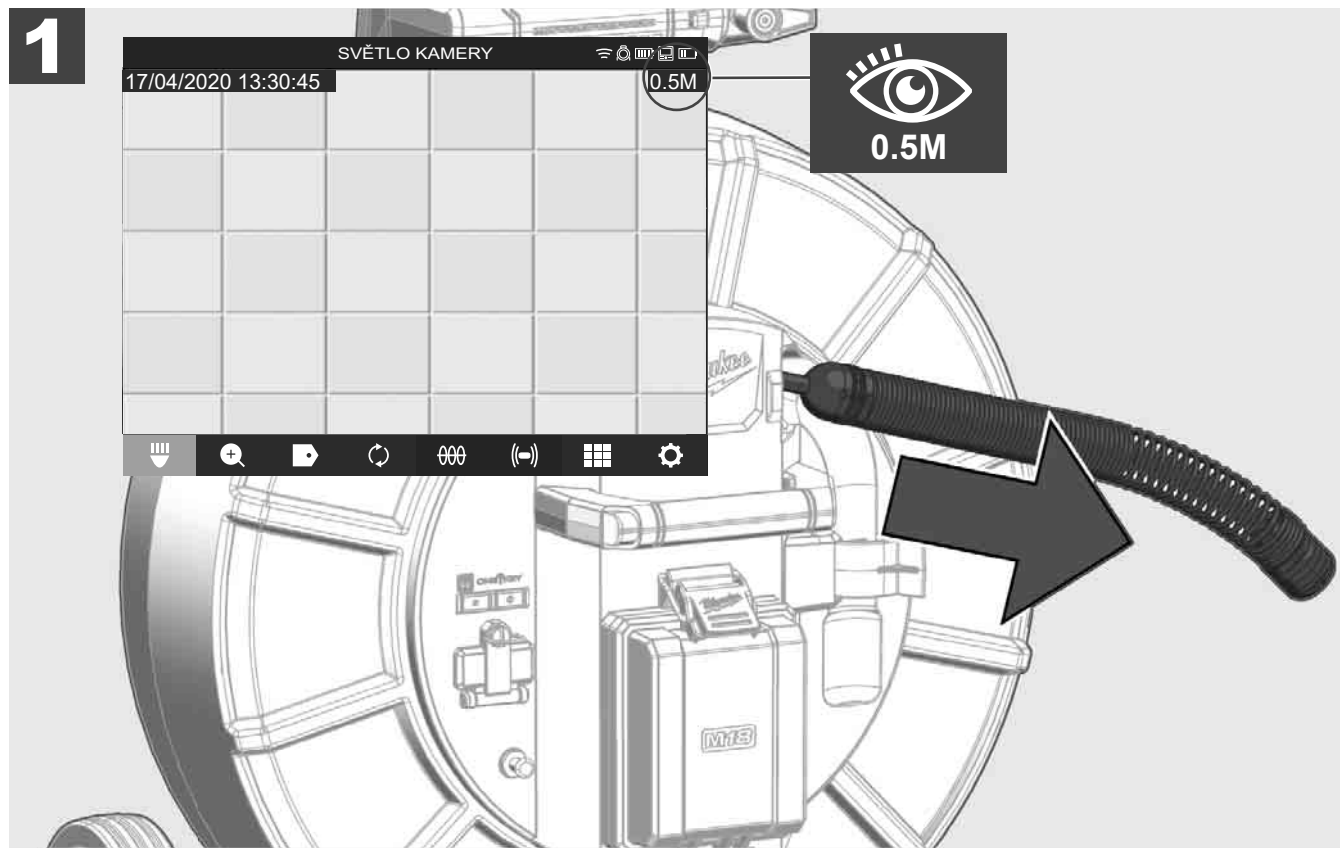


## 2.10 Vynulování počítadla délky



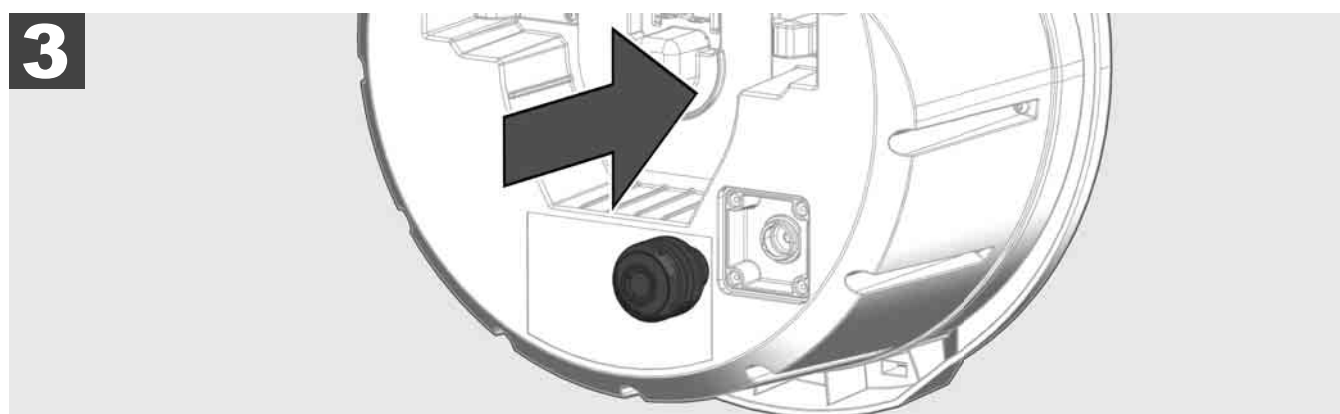
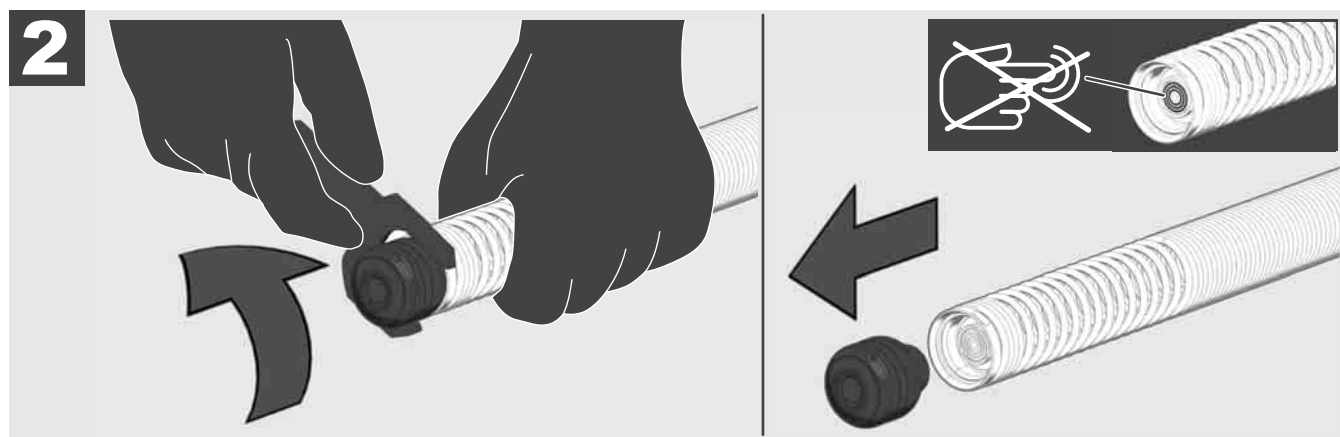
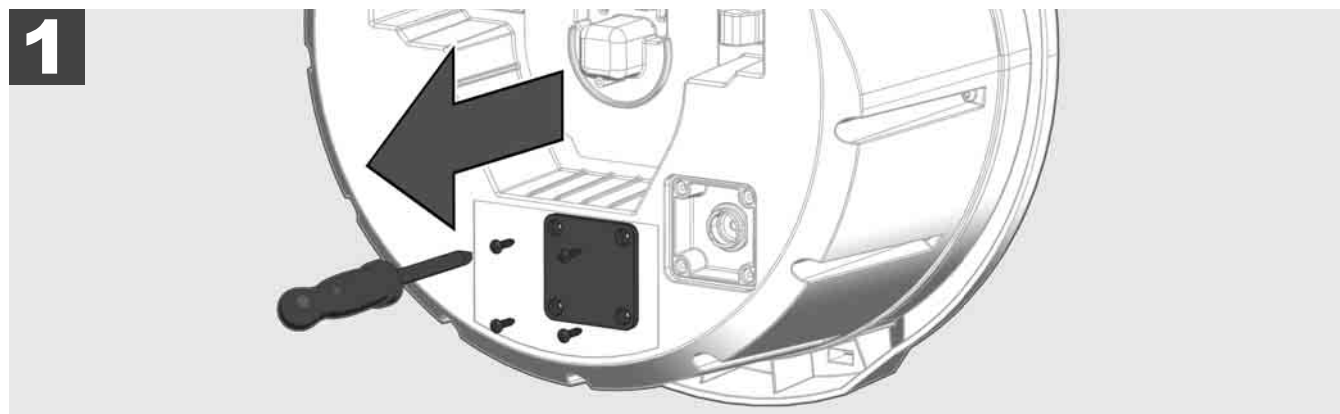
Při odvíjení BUBNU PRO KONTROLU TRUBEK se délka odvinutého kabelu zobrazuje na stavové liště bezdrátového monitoru M18 SIM.

Aby bylo možné vynulovat zobrazení, stiskněte tlačítko



## 2.11 Testovací přípojka kamery


Pokud by se měly vyskytnout problémy s hlavou kamery, může se kamera zkontrolovat přes testovací přípojku.

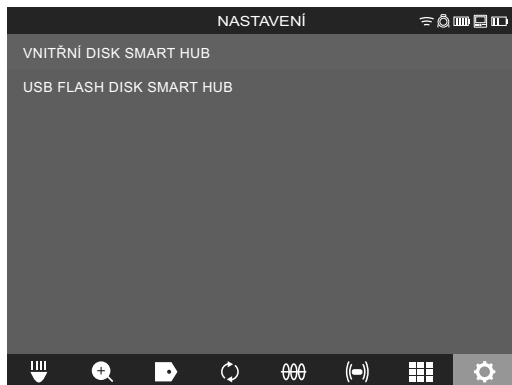


## 2.12 Formátování vnitřního disku a USB flash disku

Pomocí této funkce můžete naformátovat interní jednotku 500-GB Smart Hub nebo USB flash disk.

USB flash disky se musí naformátovat ve formátu FAT32.

1. Zvolte **NASTAVENÍ**  → **FORMATOVÁNÍ PAMĚTI**
2. Zvolte paměť.



3. Potvrďte hlášení na obrazovce.




Zvolená jednotka se naformátuje a systém se vrátí zpět k menu **NASTAVENÍ**.

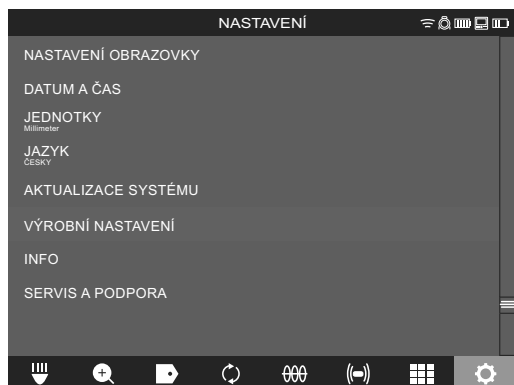
## 2.13 Výrobní nastavení

Volba funkce Výrobní nastavení vynuluje Smart Hub M18 SISH na hodnoty nastavené v závodě.

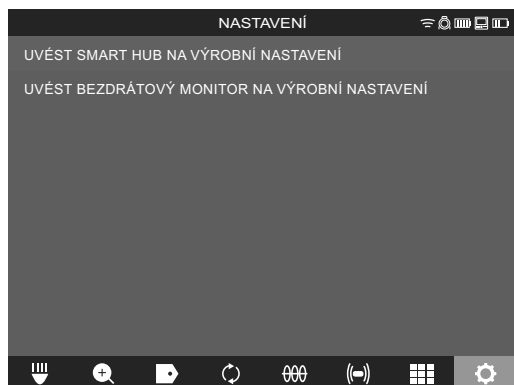
Následující nastavení Smart Hub M18 SISH se vynulují:

- OZNAČENÍ se vynulují.
- VIDEO- a OBRAZOVÁ NASTAVENÍ se vynulují na 1080 P.
- NÁZEV FIRMY se vymaže.
- SPECIÁLNÍ FREKVENCE se vynuluje na výrobní nastavení.
- SLEDOVÁNÍ KABELU se vynuluje na výrobní nastavení.
- NASTAVENÍ OBRAZOVKY se vynulují na výrobní nastavení. Barevný odstín, jas, kontrast, sytost
- MĚŘICÍ JEDNOTKY

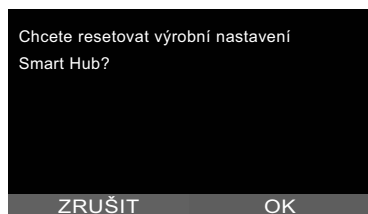
1. Zvolte **NASTAVENÍ**  → **VÝROBNÍ NASTAVENÍ**



2. Zvolte **VÝROBNÍ NASTAVENÍ** Smart Hub M18 SISH.



3. Přečtěte si a potvrďte hlášení Reset pomocí OK.



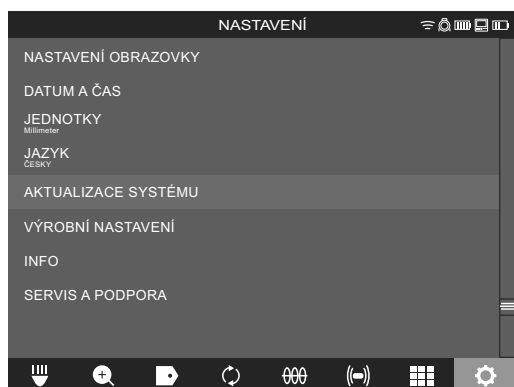
Vynulování na výrobní nastavení je ukončeno a systém se vrátí k podmenu **VÝROBNÍ NASTAVENÍ**.

## 2.14 Aktualizace systému

Před aktualizací systému otevřete menu **NASTAVENÍ** → **INFO** a poznamenejte si aktuální verzi firmware.

Aktualizaci firmware můžete provést buď přes bezdrátový monitor M18 SIM nebo pomocí tabletu s aplikací na kontrolu trubek Milwaukee®.

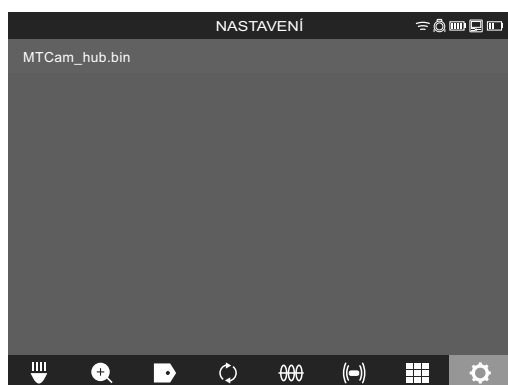
1. Zapněte Smart Hub M18 SISH a bezdrátový monitor M18SIM nebo tablet s aplikací na kontrolu trubek Milwaukee®.
2. Ujistěte se, že bezdrátový monitor M18 SIM, resp. tablet je spojený přes WLAN se Smart Hub M18 SISH. Pokud neexistuje žádné spojení WLAN, nejdřív jej vytvořte.
3. Zastrčte USB flash disk s aktualizací firmware do USB-A-Port Smart Hub M18 SISH.
4. Zvolte **NASTAVENÍ** → **AKTUALIZACE SYSTÉMU**



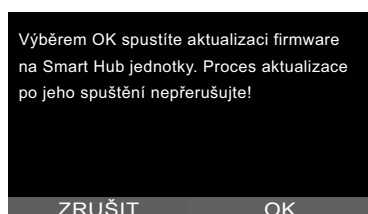
5. Zvolte Smart Hub M18 SISH.



6. Název souboru aktualizace se zobrazí na obrazovce. Zvolte **NAZEV SOUBORU**, abyste spustili aktualizaci.

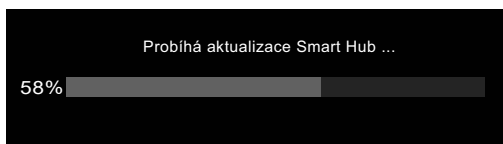


7. Přečtěte si a potvrďte výstražné hlášení pomocí OK.

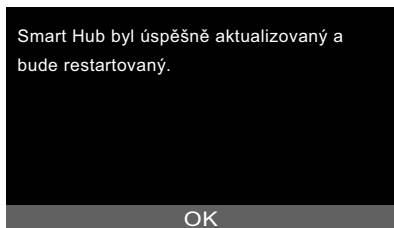




8. Na pruhu znázorňujícím postup se zobrazuje průběh aktualizace.



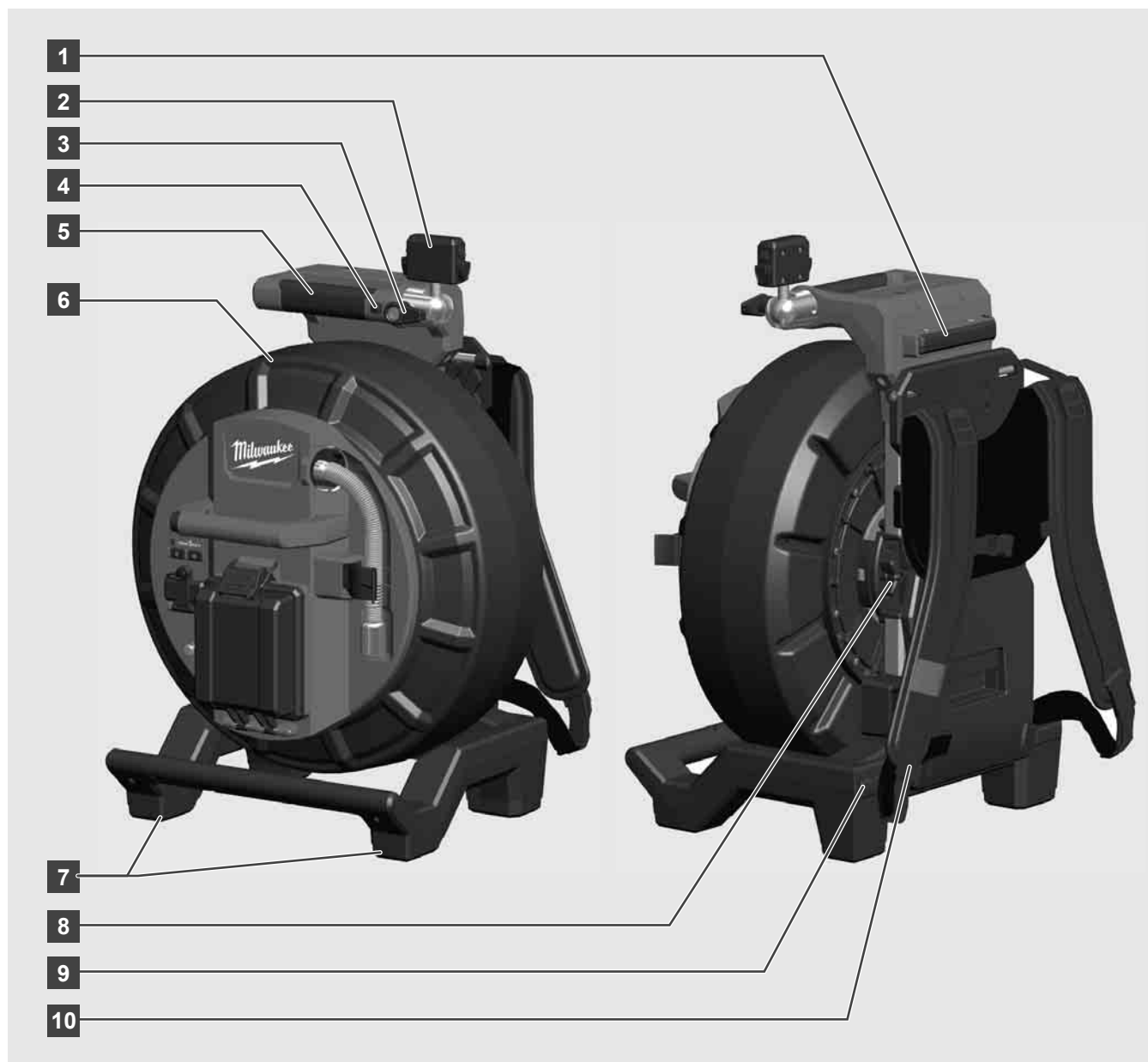
9. Na konci aktualizace se zobrazí hlášení, které se musí potvrdit. Zvolte OK, abyste systém spustili znovu.



10. Zvolte **NASTAVENÍ** → **INFO**, abyste zkontrolovali, jestli byla aktualizovaná verze firmware.

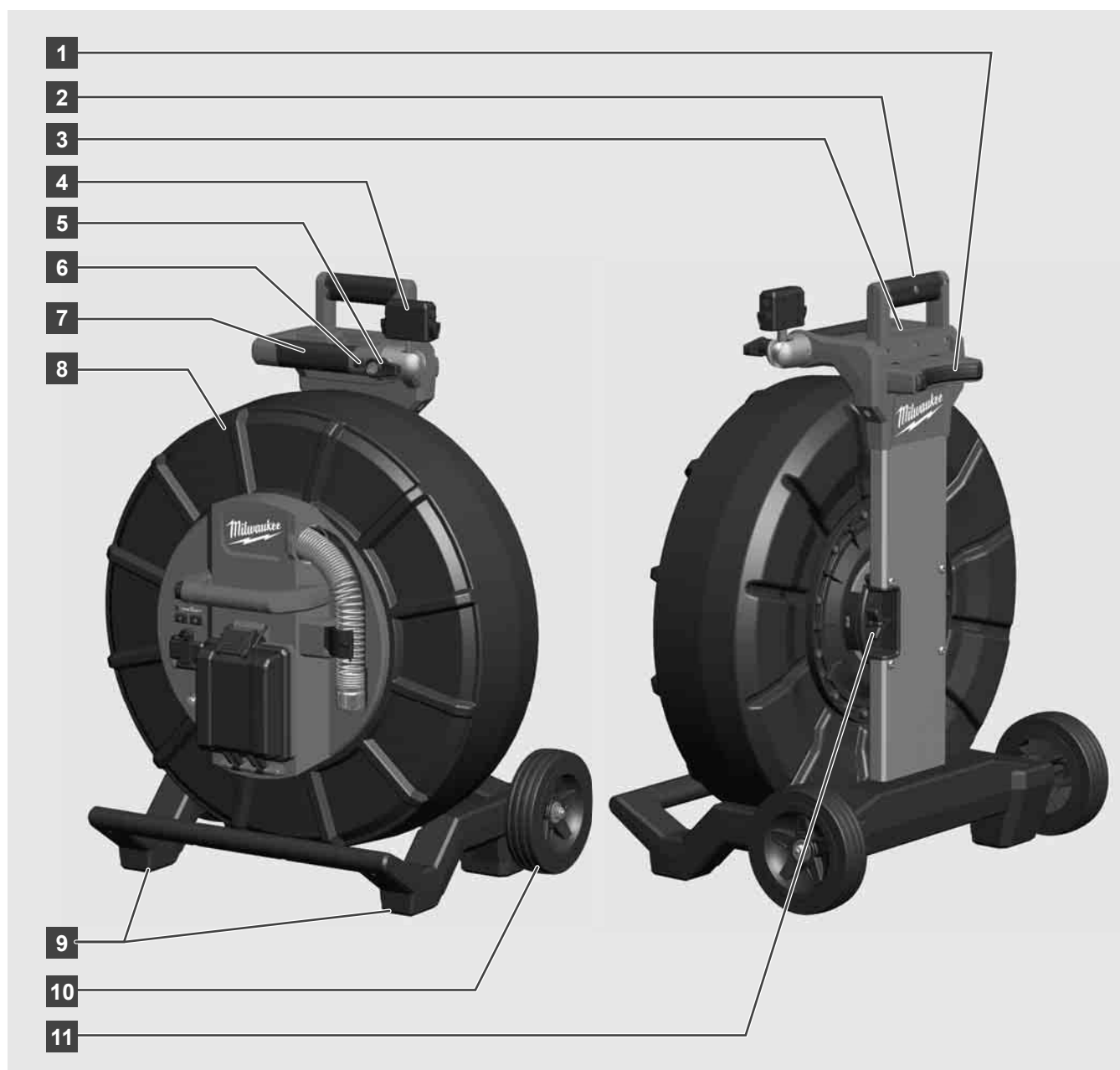
## 3 BUBNY NA KONTROLU TRUBEK

### 3.1 Přehled bubnu na kontrolu trubek M18 SIC36



- 1 Nastavovací podstavec pro horizontální používání
- 2 Bezdrátový monitor M18 SIM – Držák tabletu a přípojka
- 3 Bezdrátový monitor M18 SIM – Otočná aretace
- 4 Bezdrátový monitor M18 SIM – Sklopná aretace
- 5 Držadlo
- 6 Kabelový buben se zasouvacím kabelem
- 7 Nastavovací podstavec pro vertikální používání
- 8 Brzda kabelového bubnu
- 9 Nastavovací podstavec pro horizontální používání
- 10 Zařízení pro přenášení

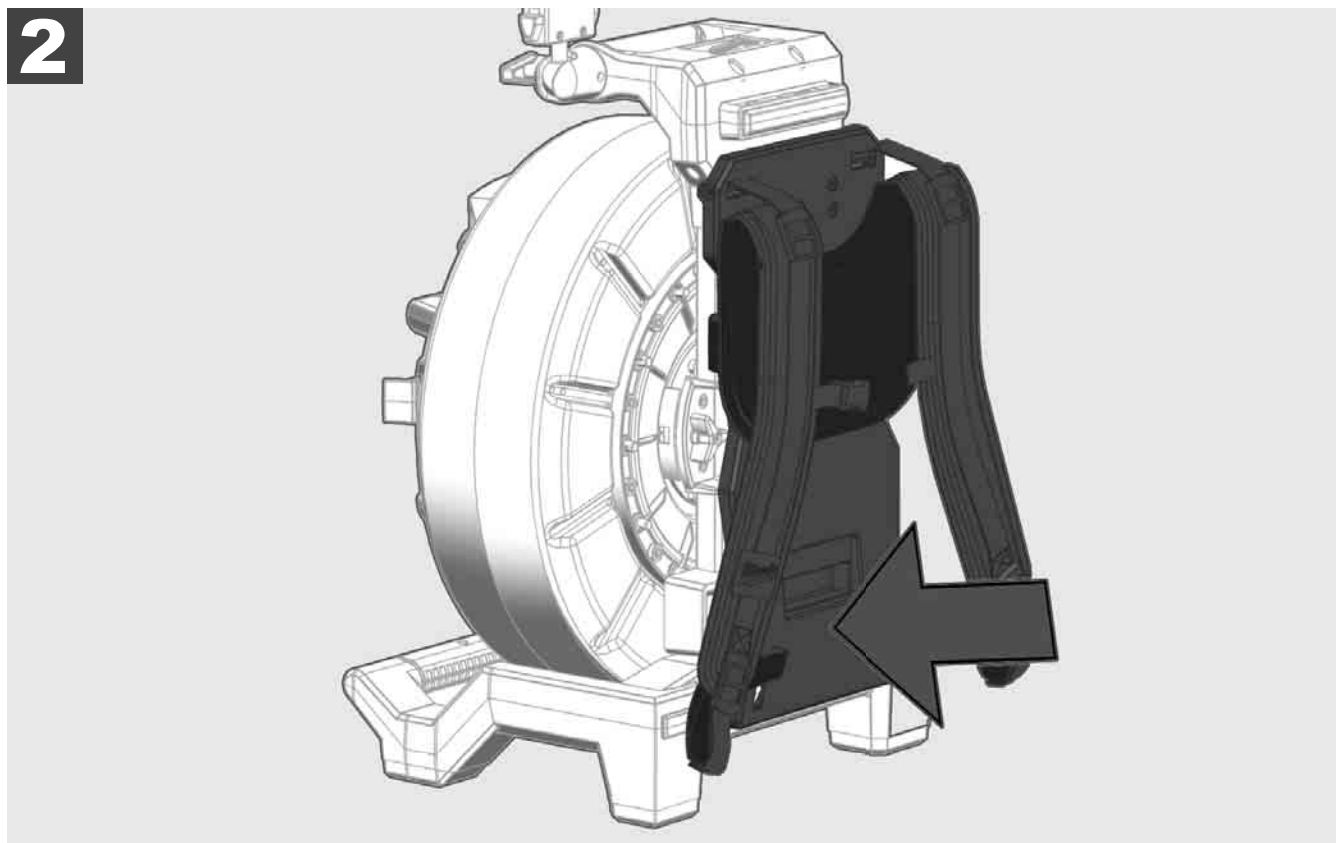
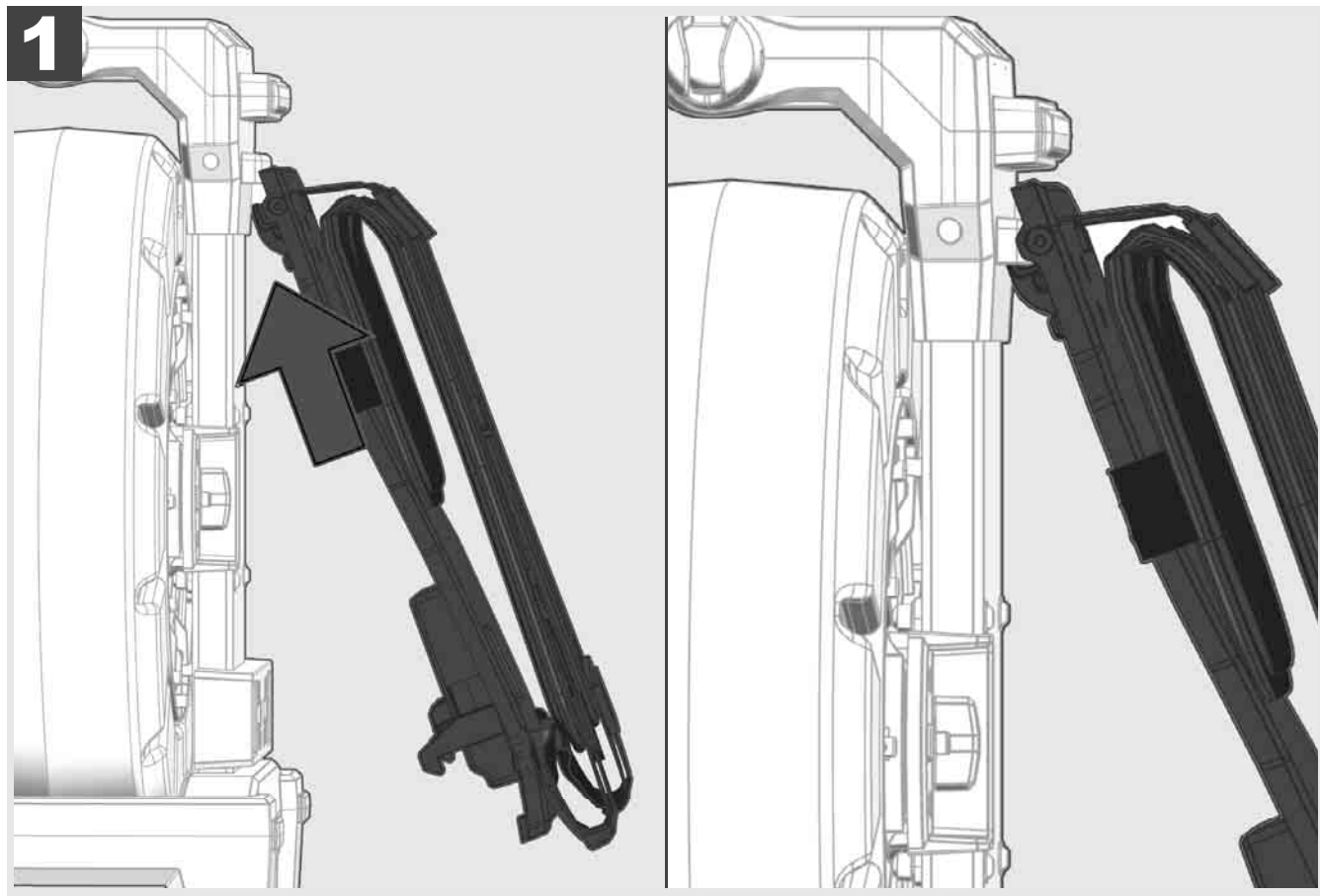
### 3.2 Přehled bubnu na kontrolu trubek M18 SIC60



- 1 Nastavovací podstavec pro horizontální používání
- 2 Vytahovací držadlo (v zasunuté poloze)
- 3 Tlačítko na zablokování a uvolnění vytahovacího držadla
- 4 Bezdrátový monitor M18 SIM – Držák/držák tabletu a přípojka
- 5 Bezdrátový monitor M18 SIM – Otočná pojistka
- 6 Bezdrátový monitor M18 SIM – Sklopná pojistka
- 7 Držadlo
- 8 Kabelový buben se zasouvacím kabelem
- 9 Nastavovací podstavec pro vertikální používání
- 10 Kola
- 11 Brzda kabelového bubnu

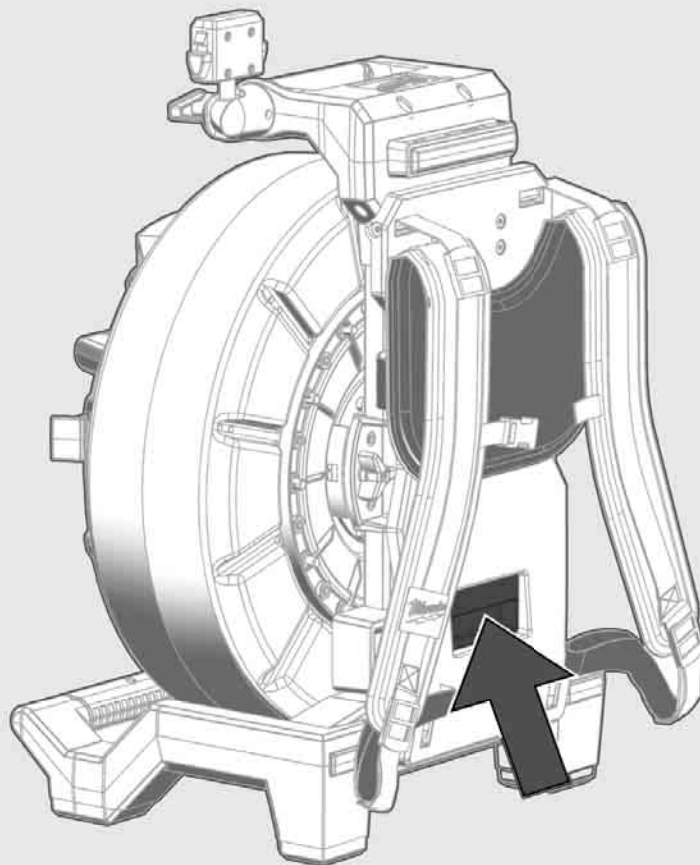
### 3.3 Instalace zařízení na přenášení

BUBEN NA KONTROLU TRUBEK M18 SIC36 je vybavený zařízením na přenášení, pomocí kterého se může buben nosit na zádech jako batoh. Tím se dá malý buben pohodlně přepravit na místo použití, což je praktické především při chůzi do schodů nebo při použití žebříků.

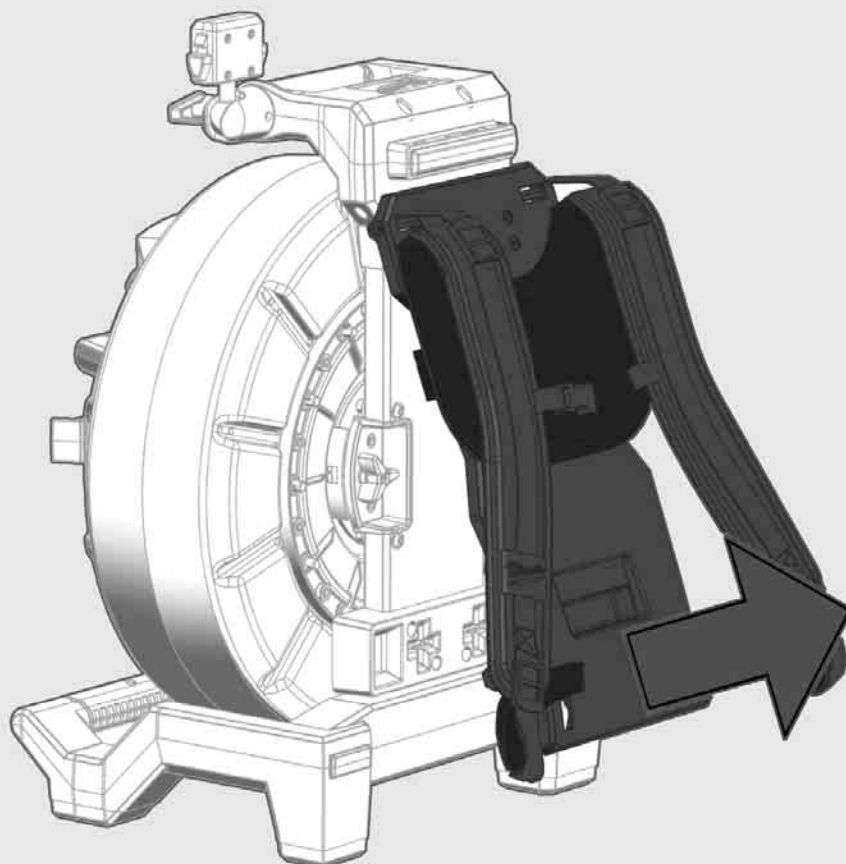


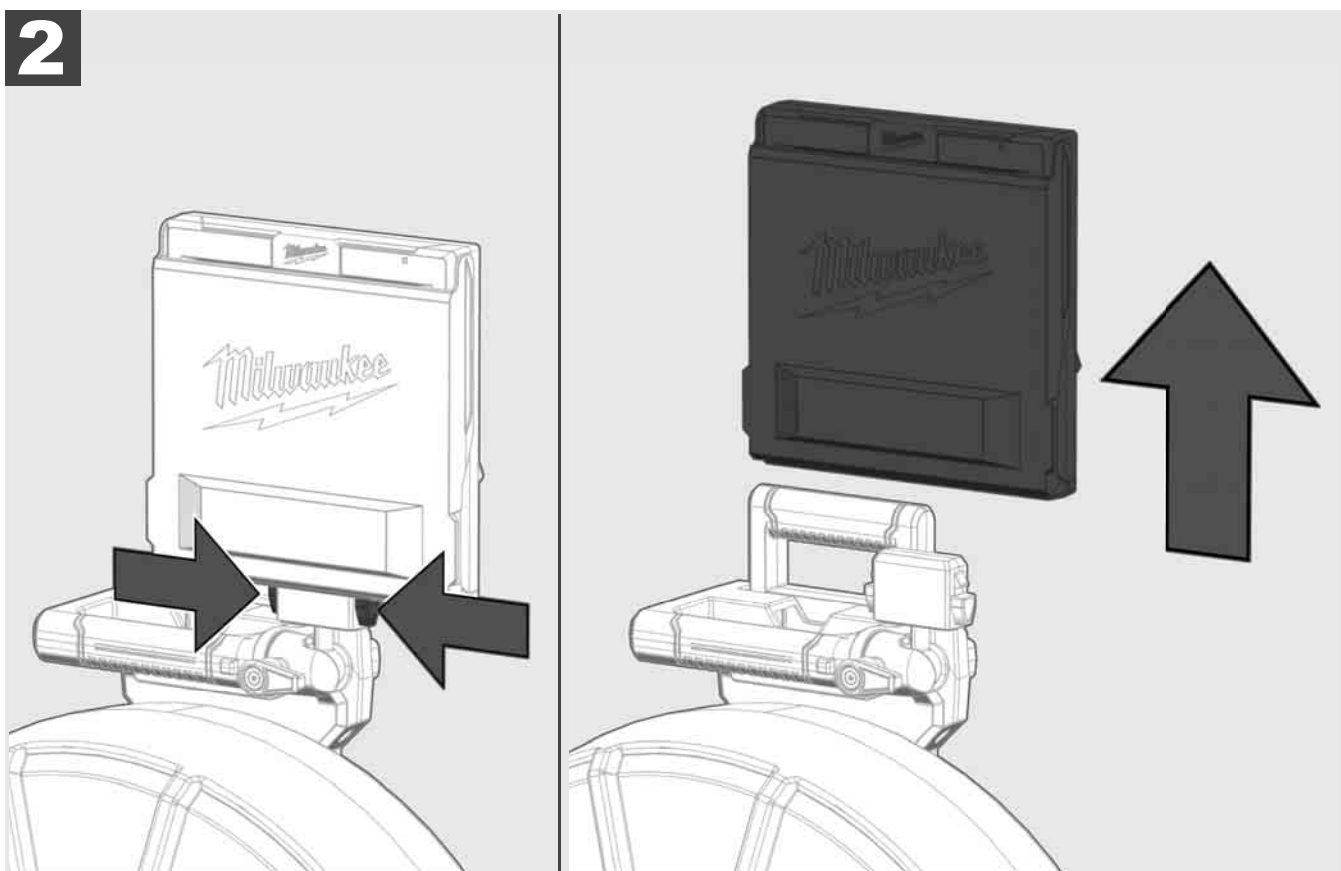
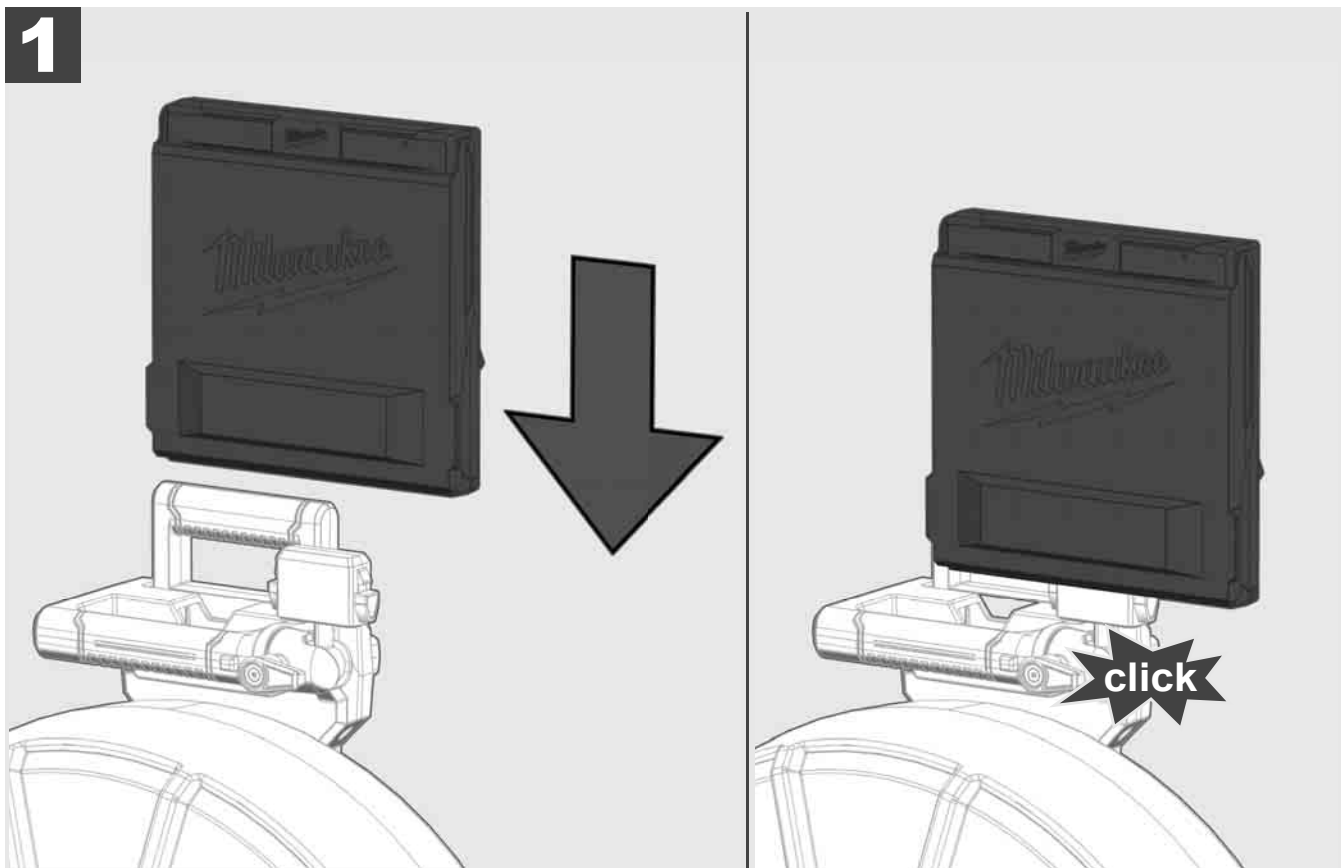
Zařízení na přenášení zavěste nahoru a zatlačte dlaněmi proti spodní straně, až zařízení na přenášení zaskočí. Krátce zatáhněte za zařízení na přenášení, abyste se ujistili, že je správně zaskočené.

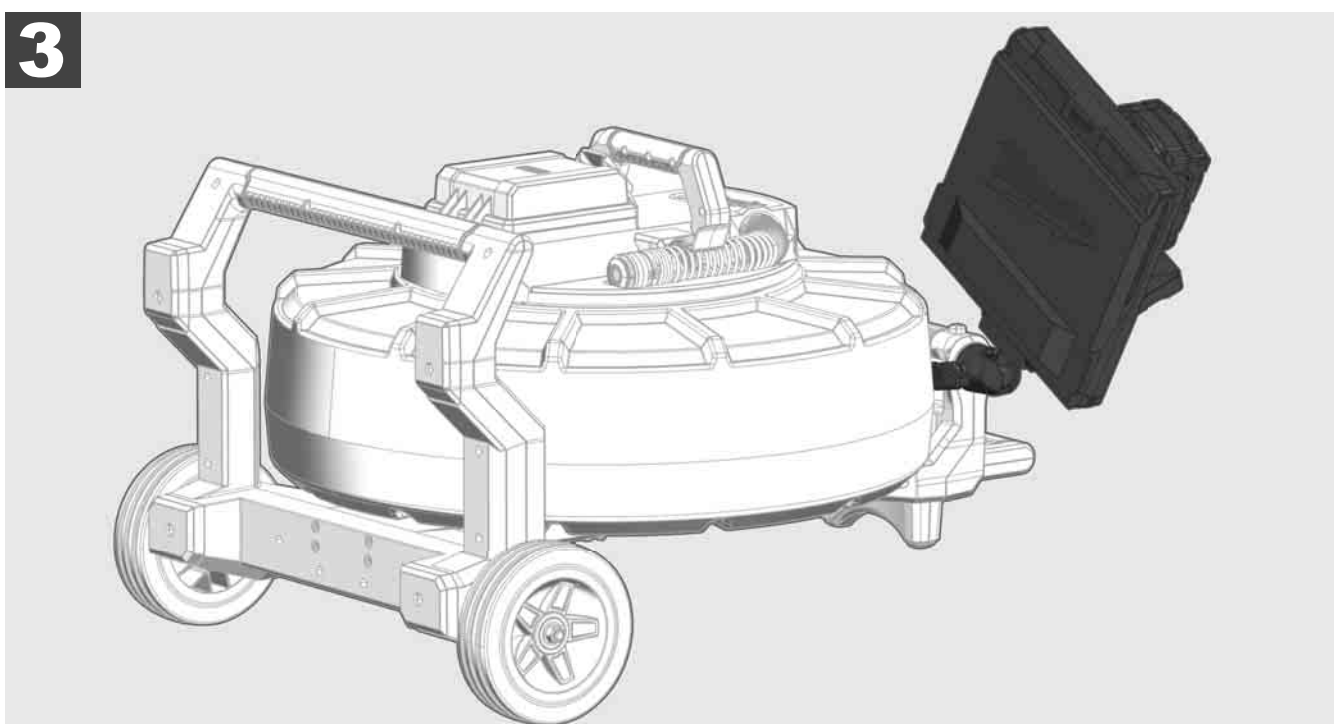
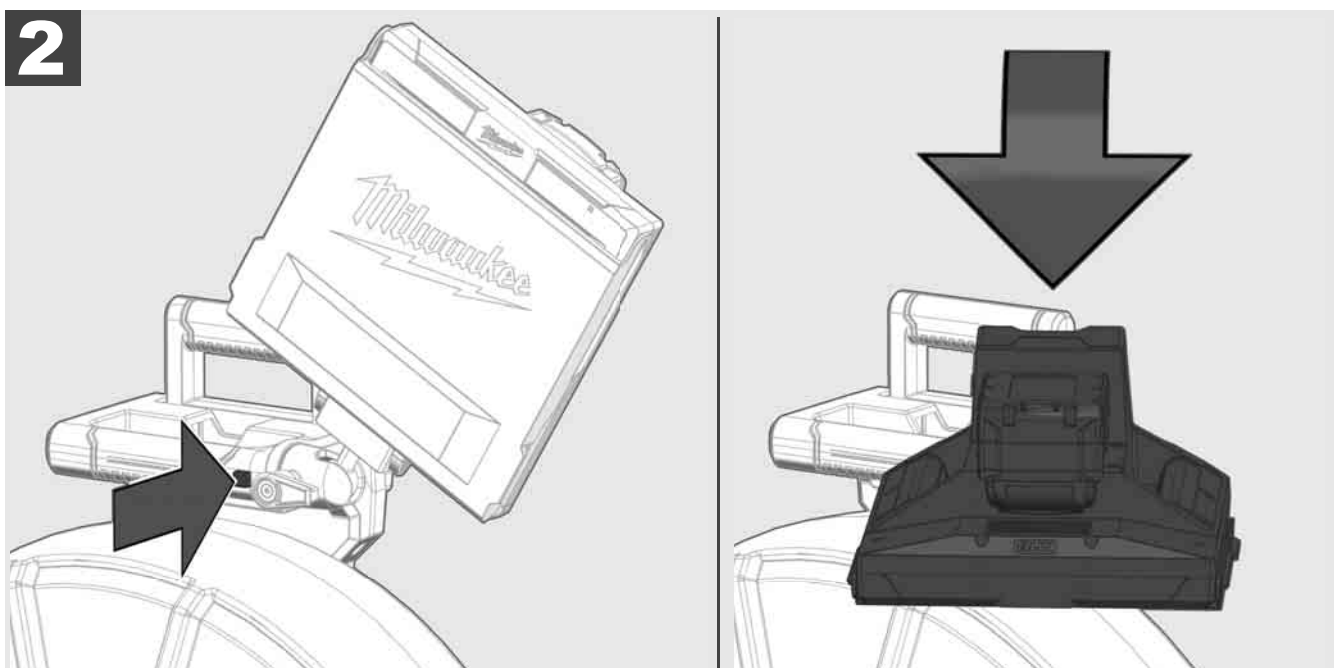
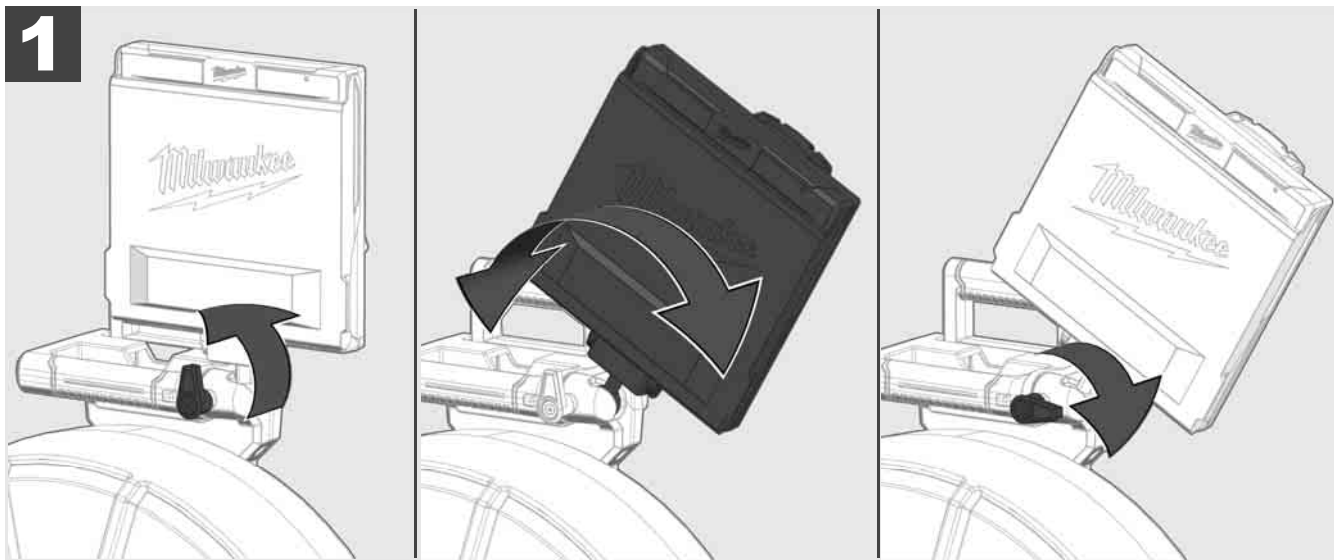
**1**



**2**







### 3.7 Používání bubnu na kontrolu trubek



Kontrola zasouvacího kabelu ohledně známek opotřebení – Při navíjení zkontrolujte kabel, jestli nemá zářezy, zalomení a odřeny. Jestliže je plášť kabelu opotřebovaný tak silně, že je vidět žluté nebo bílé kevlarové pleťivo, musí se zasouvací kabel vyměnit. Při použití zasouvacího kabelu s poškozeným pláštěm může do něj vniknout voda a vlhkost, což může ovlivnit kvalitu kamerových záznamů nebo vést k výpadku kamery.

Následující obrázek ukazuje příklady silně poškozeného pláště. Takové zasouvací kabely je nutné co možná nejrychleji vyměnit.

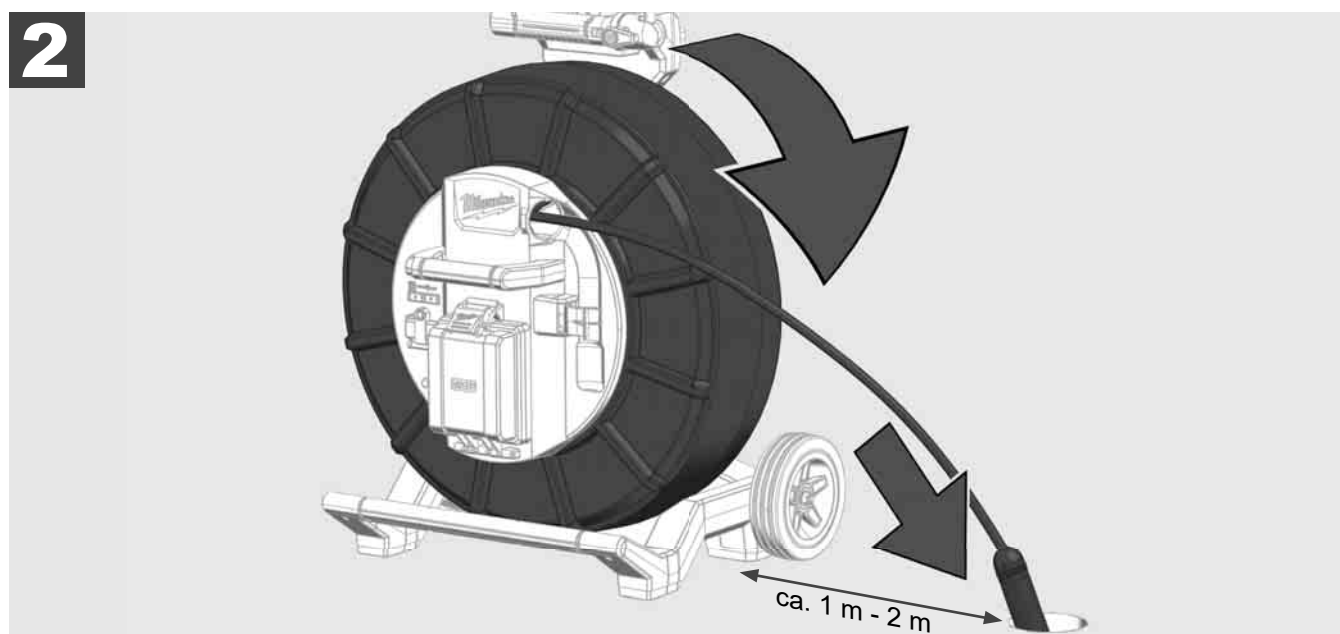
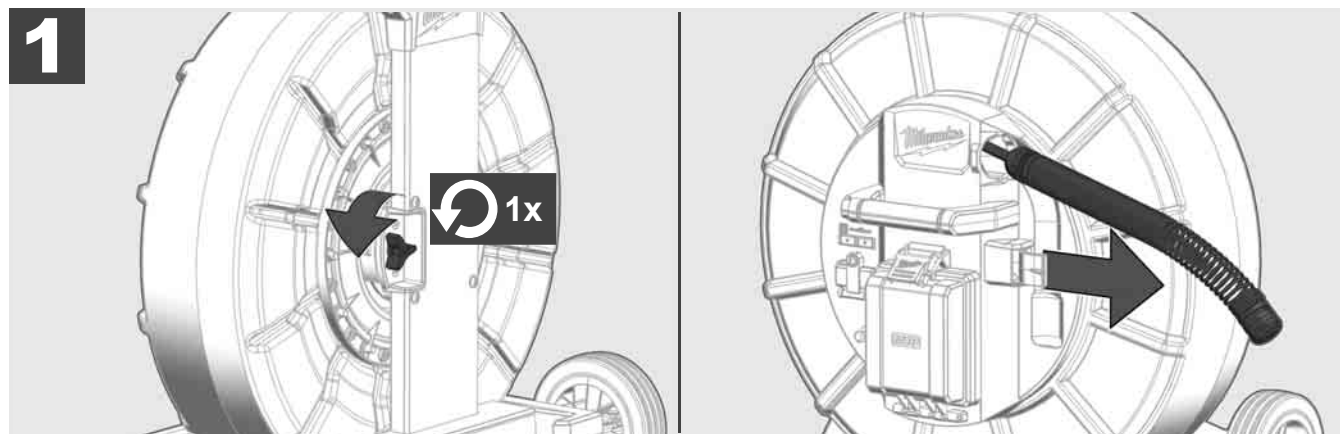


Zasouvací kabel a konstrukční skupinu pružin udržujte vždy v suchu a čistotě – Kabel při navíjení vyčistěte vždy čistou, suchou utěrkou. Na konci pracovního dne hlavu kamery a pružiny zbavte opatrně zbytků špíny pod tekoucí vodou. Vytřete do sucha nebo nadbytečnou vodu vyfoukejte dosucha nízkotlakovým vzduchem a díly následně vysušte. Hlavu kamery, zasouvací kabel a připojovací části jsou při denním použití vystaveny agresivním chemikáliím. Pečlivé čištění prodlužuje životnost těchto dílů.

Se zasouvacím kabelem manipulujte opatrně – Zasouvací kabel nevytahujte ze zaaretovaného bubnu. V opačném případě se kabel v bubnu stlačí a bude nadměrně namáhán. Zpětné zasunutí zasouvacího kabelu do zaaretovaného bubnu naproti tomu může kotouč dostat do překlopění a může zalomit kabel.

Buben instalujte přibližně ve vzdálenosti 1 až 2 metry od místa vstupu na rovném podkladu. Tak zůstane dostatek místa pro manipulaci s kabelem bez toho, aby se kabelové smyčky tahaly po zemi. Případně aktivujte třecí brzdu, abyste zpomalili pohyb zasouvacího kabelu.

Když se buben používá v horizontální poloze, plocha mezi nohama podstavce se zvětší. To bubnu poskytuje stabilnější postavení na nerovném podkladu a sníží jeho výšku, což je při zúžených prostorových poměrech výhodou.





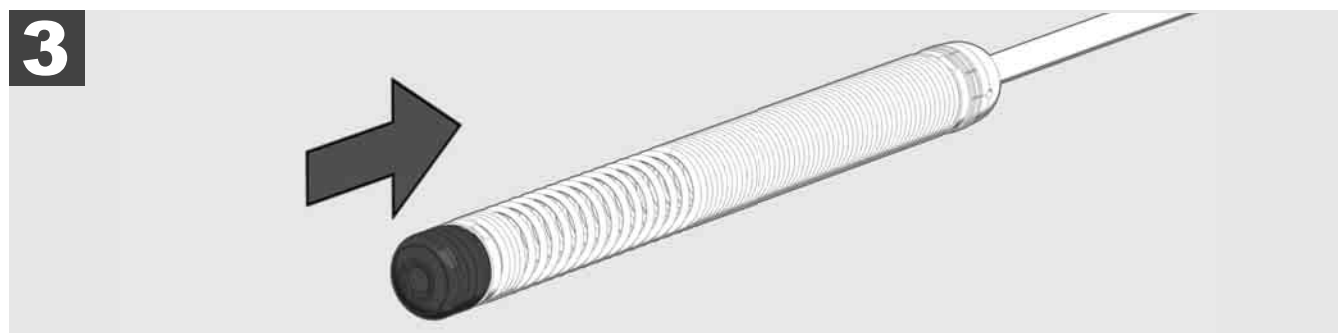
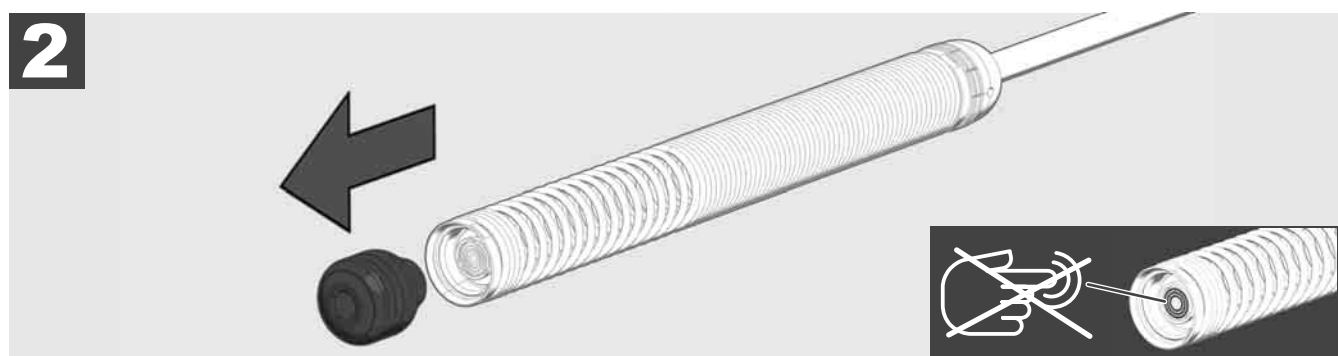
### 3.8 Konstrukční skupina hlavy kamery



Na zelenou desku plošných spojů, resp. zlaté kontakty na konstrukční skupině pružin, a také na hlavu kamery pokud možno nesahejte holými rukama. V opačném případě se na tyto komponenty přenesou tuková vrstva z prstů, což může vést k předčasné korozi. Pokud možno noste čisté a suché gumové rukavice.

Hlavu kamery před vyjmutím utřete dosucha a odstraňte zbytky špíny, které by mohly spadnout do prostoru připojení kamery.

Neutahujte příliš pevně a nepoužívejte nadměrnou sílu!



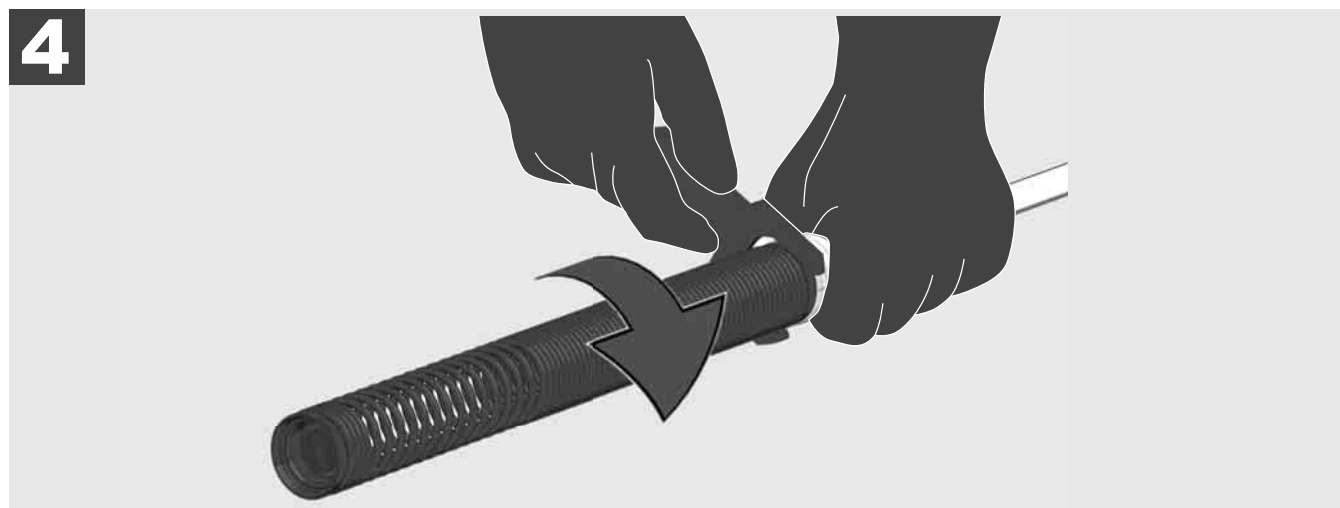
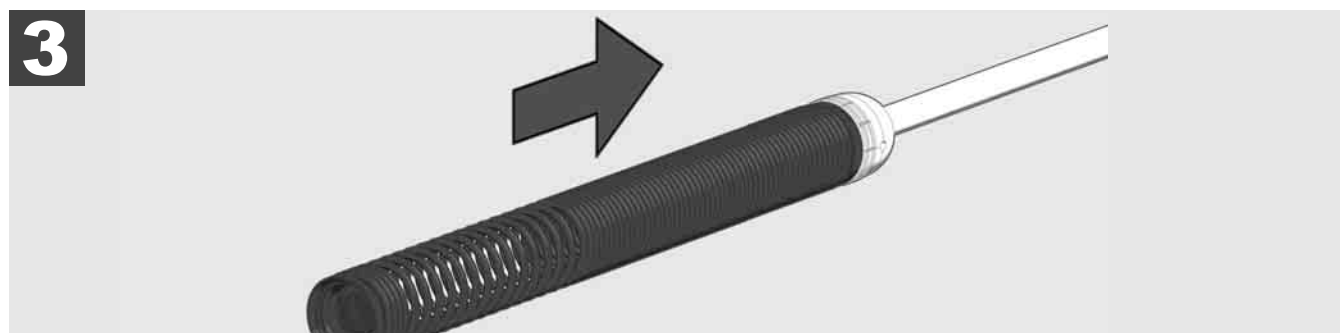
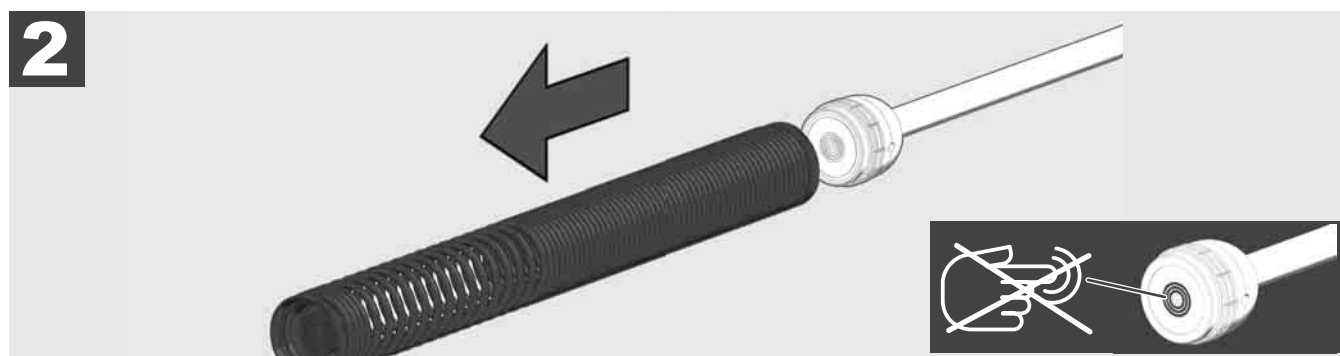
### 3.9 Konstrukční skupina pružin



Na zelenou desku plošných spojů, resp. zlaté kontakty na konstrukční skupině pružin, a také na hlavu kamery pokud možno nesahejte holými rukama. V opačném případě se na tyto komponenty přenesou tuková vrstva z prstů, což může vést k předčasné korozi. Pokud možno noste čisté a suché gumové rukavice.

Hlavu kamery před vyjmutím utřete dosucha a odstraňte zbytky špíny, které by mohly spadnout do prostoru připojení kamery.

Neutahujte příliš pevně a nepoužívejte nadměrnou sílu!



### 3.10 Ochranný kryt kamery

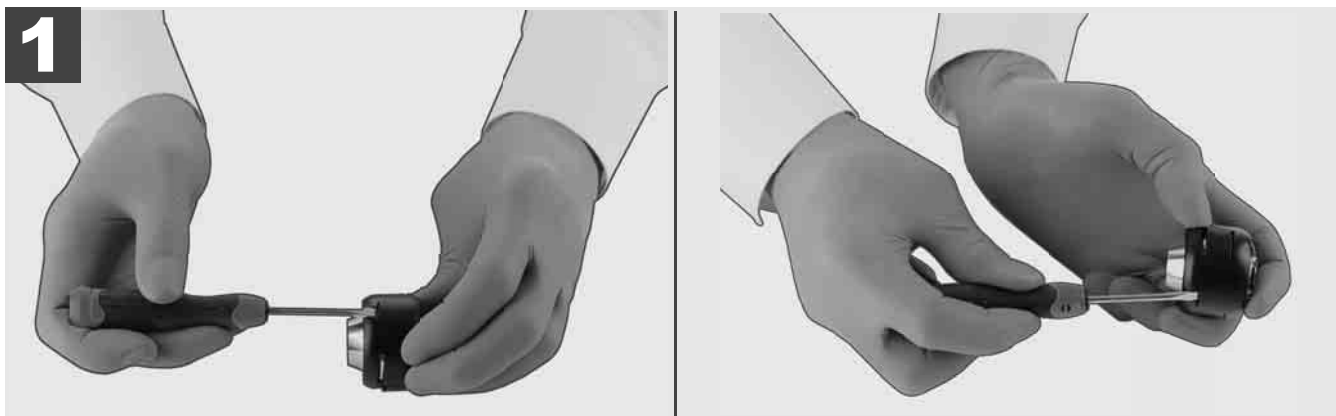


Ochranné kryty – Vhodné pro hlavy kamery s průměrem 25 mm, resp. 34 mm. Tyto ochranné kryty se dodávají se všemi BUBNY NA KONTROLU TRUBEK nebo s náhradními hlavami kamery.

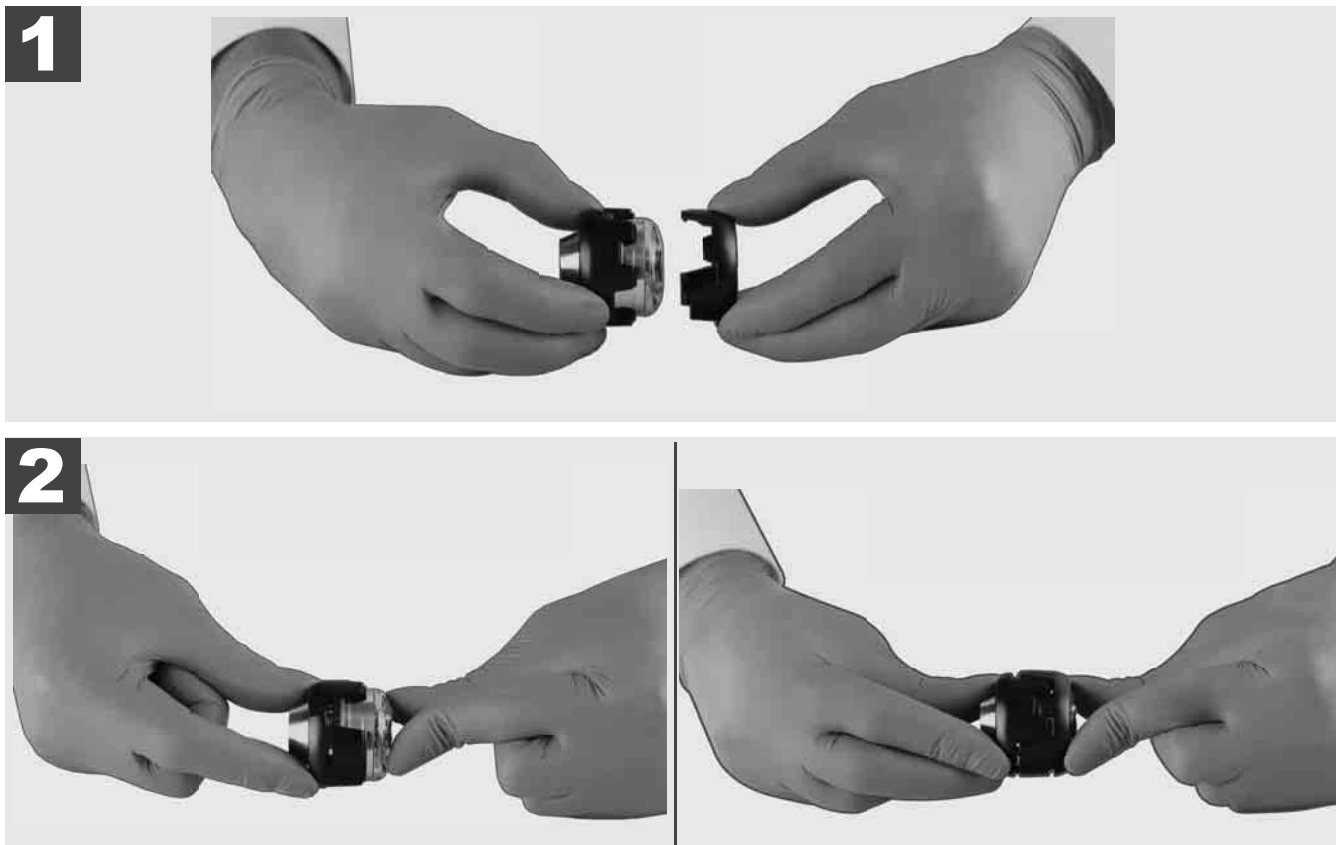
Vedení – Budou nasazené na konstrukční skupinu pružin, aby hlava kamery procházela podél nad dnem a aby se nedostala do kontaktu s trubicí.



#### Odejmutí ochranného krytu



#### Instalace ochranného krytu



### 3.11 Vedení kamery



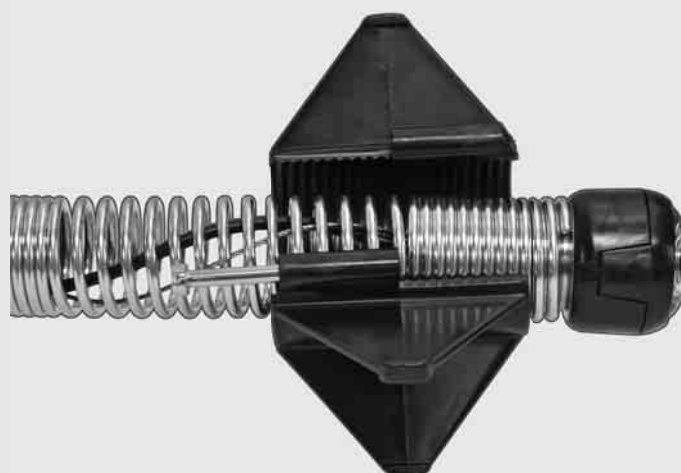
Pro hlavy kamery šířky 25 mm, resp. 34 mm jsou k dispozici vždy dvě vedení: Malé provedení se 75 mm a střední provedení se 100 mm.

Vedení kamery 25 mm

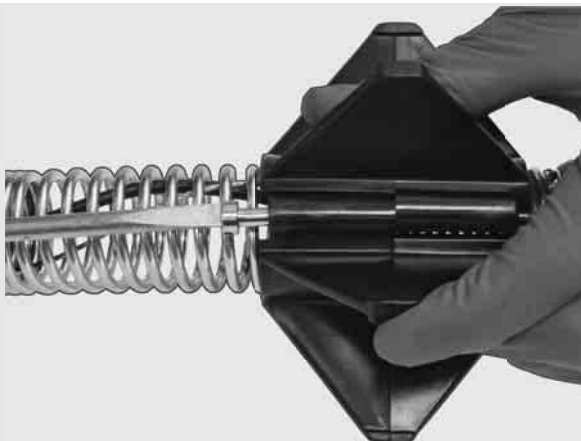
Vedení kamery 34 mm



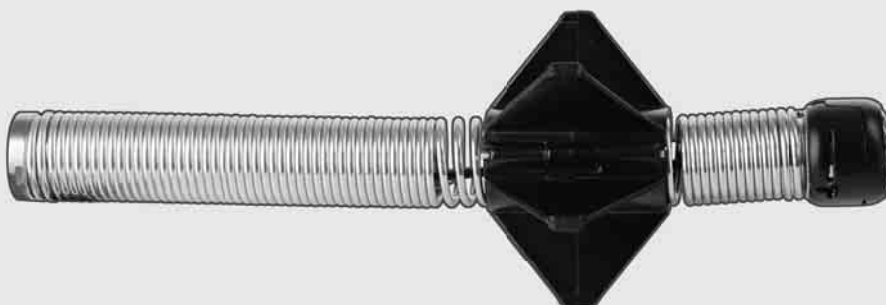
**1**



**2**



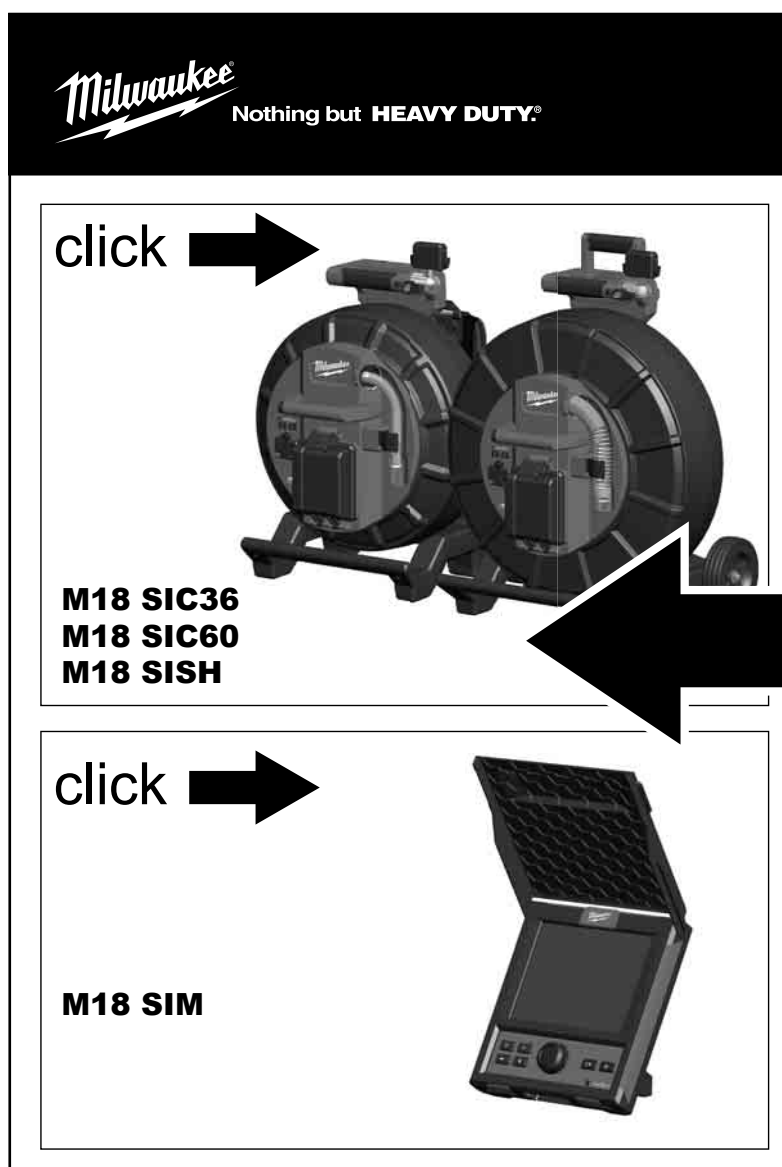
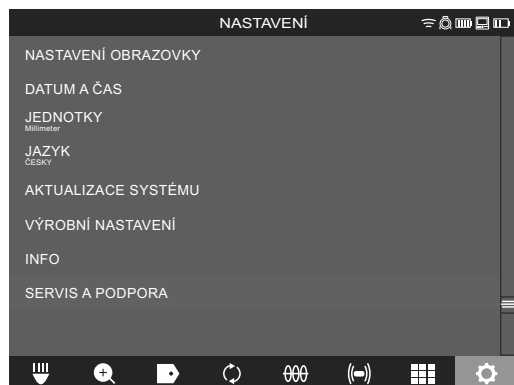
**3**



### 3.12 Servis a podpora

V případě, že se musí váš SYSTÉM NA KONTROLU TRUBEK opravit, pod SERVIS A PODPORA se dostanete na stránku servisu nářadí Milwaukee se všemi důležitými telefonními čísly.

Zvolte **NASTAVENÍ**  → **SERVIS A PODPORA**



1	Všeobecné upozornenia .....	2
1.1	Zvláštne bezpečnostné predpisy pre systémy na inšpekciu rúr.....	2
1.2	Ďalšie bezpečnostné a pracovné pokyny .....	2
1.3	Technické údaje .....	3
1.4	Používanie na určený účel.....	3
1.5	Požiadavky na rádiovou frekvenciu vzhľadom na európske inštalácie .....	3
1.6	ES Vyhlásenie o zhode .....	4
1.7	ONE-KEY™ .....	4
1.8	Akumulátory .....	4
1.9	Preprava lítium-iónového akumulátora .....	4
1.10	Údržba.....	4
1.11	Symboly .....	5
2	Smart Hub M18 SISH .....	6
2.1	Prehľad Smart Hub M18 SISH.....	6
2.2	Vloženie a vybratie akumulátora .....	7
2.3	Kontrola stavu nabitia akumulátora.....	8
2.4	Vloženie Smart Hub M18 SISH .....	9
2.5	Odstránenie Smart Hub M18 SISH .....	10
2.6	Spínač zap/vyp.....	11
2.7	Pripojenie monitora .....	12
2.8	USB porty.....	13
2.9	Uzemňovacia tyč .....	14
2.10	Vynulovanie počítadla dĺžky .....	15
2.11	Testovacia prípojka kamery .....	16
2.12	Formátovanie vnútorného disku a USB flash disku .....	17
2.13	Výrobné nastavenia .....	18
2.14	Aktualizácia systému.....	19
3	BUBNY NA INŠPEKCIU RÚR .....	21
3.1	Prehľad bubna na inšpekciu rúr M18 SIC36 .....	21
3.2	Prehľad bubna na inšpekciu rúr M18 SIC60 .....	22
3.3	Inštalácia zariadenia na prenášanie .....	23
3.4	Odstránenie zariadenia na prenášanie .....	24
3.5	Inštalácia bezdrôtového monitora M18 SIM .....	25
3.6	Nastavenie bezdrôtového monitora M18 SIM .....	26
3.7	Používanie bubna na inšpekciu rúr .....	27
3.8	Konštrukčná skupina hlavy kamery .....	28
3.9	Konštrukčná skupina pružín .....	29
3.10	Ochranný kryt kamery .....	30
3.11	Vedenia kamery .....	31
3.12	Servis a podpora.....	32

# 1 VŠEOBECNÉ UPOZORNENIA

## 1.1 Zvláštne bezpečnostné predpisy pre systémy na inšpekciu rúr

Pri prácach v rúrach dávajte pozor na to, aby tieto neboli pod napätím ani elektricky nabité. Rúry nesmú obsahovať žiadnu kvapalinu. Kamera a prístroj sa nesmú dostať do kontaktu s kvapalinou.

Kamera a kábel sa nesmú dostať do kontaktu s olejom, plynom alebo inými korozívnymi materiálmi.

Aby sa znížilo riziko výbuchu, zásahu elektrickým prúdom a vecných škôd. pred všetkými prácami vždy skontrolujte pracovnú oblasť. Kábel sa nesmie dostať do kontaktu s elektrickými komponentmi, chemikáliami alebo pohyblivými dielmi.

Aby sa znížilo riziko škôd na prístroji, nepoužívajte nadmernú silu a kábel neprelamujte. Inšpekčnú kameru a kábel nepoužívajte v oblastiach, kde sa môžu dostať do kontaktu so žieravými alebo olejnatými substanciami.

Kábel nepoužívajte na odstraňovanie upchaní alebo prekážok. Toto nie je čistič rúr!

Keď kontrolovaná odtoková rúra by mohla obsahovať chemikálie, baktérie alebo iné toxické substancie, resp. pôvodcov infekcie, potom používajte výrobcom odporúčané latexové a gumové ochranné rukavice, ako aj ochranné okuliare, ochranu tváre, ochranný odev a ochrannú dýchaciu masku. Potrubia môžu obsahovať chemikálie, baktérie a iné substancie, ktoré môžu byť toxické alebo spôsobovať infekcie a môžu vyvolať poleptania alebo iné ťažké poranenia.

Dodržiavajte hygienické predpisy. Zatiaľ čo pracujete s prístrojom, nejedzte ani nefajčite. Po manipulácii so systémom na inšpekciu rúr alebo jeho používaní si treba ruky a ostatné časti tela, ktoré sa dostávajú do kontaktu s obsahom rúry, vždy umyť teplou vodou a mydlom. Takto zabránite zdravotným rizikám z dôvodu kontaktu s toxickými látkami, spôsobujúcimi infekciu.

Pred použitím skontrolujte kábel vzhľadom na stopy opotrebenia a poškodenia. Opotrebovaný alebo poškodený kábel pred použitím prístroja vymeňte.

**POZOR!** Pri preprave systému na inšpekciu rúr pomocou prenosného zariadenia na chrbte je žiadaná opatnosť. Mohli by ste stratiť rovnováhu.

Prístroj používajte vždy obozretne a opatrne. Je nemožné predvídať všetky situácie nebezpečenstva. Tento prístroj nepoužívajte, keď nechápete predložený návod alebo sa cítite preťažený prácou. Pre ďalšie informácie alebo školenia sa obráťte na Milwaukee alebo na kvalifikovaného odborníka.

Neodstraňujte etikety a typové štítky. Tieto štítky obsahujú dôležité informácie. Keď tieto upozorňovacie tabuľky nie sú viac čitateľné alebo chýbajú, obráťte sa na zákaznícky servis MILWAUKEE, aby ste obdržali bezplatnú náhradu.

Niektorý prach spôsobený brúsiacimi, píliacimi a vŕtacími strojmi alebo inými stavebnými činnosťami môžu obsahovať chemické substancie, ktoré sú rakovinotvorné, vedú k poškodeniam pri narodení alebo obmedzujú rozmnožovaciu schopnosť. Príklady pre tento druh chemických substancií sú:

- Olovo z farieb na báze olova,
- kryštalický oxid kremičitý z tehál, cementu alebo iných murárskych produktov, ako aj
- arzén alebo chróm z chemicky ošetrovaného dreva.

Riziko expozície závisí od toho, ako často vykonávate tento druh činnosti. Aby sa riziko expozície udržiavalo tak malé, ako je to možné, pracujte vždy v dobre vetraných oblastiach. Noste oficiálne schválené ochranné vybavenie, ako napríklad ochranné masky s filtrom na mikročastice.

## 1.2 Ďalšie bezpečnostné a pracovné pokyny

Akumulátor nevymieňajte, keď je povrch nástroja mokrý.

Spotrebované akumulátory nespálujte ani nehádzte do domového odpadu. Odborní predajcovia Milwaukee ponúkajú ekologickú likvidáciu starých akumulátorov.

Akumulátory neskladujte spolu s kovovými predmetmi (nebezpečenstvo skratu).

Akumulátory systému M18 nabíjajte len nabíjacími zariadeniami systému M18. Nepoužívajte žiadne akumulátory z iných systémov.

Pod extrémnym zaťažením alebo extrémnou teplotou môže z poškodeného akumulátora vytekať batérová kvapalina. Pri kontakte s batérovou kvapalinou vymyte ihneď vodou a mydlom. Pri kontakte ihneď dôkladne omývajte minimálne 10 minút a bezodkladne vyhľadajte lekára.

**Varovanie!** Aby bolo možné zabrániť nebezpečenstvu požiaru, poranení alebo poškodeniam produktu spôsobeným skratom, prístroj, akumulátor ani nabíjačku neponárajte do kvapalín a postarajte sa o to, aby nemohli vniknúť žiadne kvapaliny. Korodujúce alebo vodivé kvapaliny ako slaná voda, určité chemikálie a bieliadlá alebo produkty, ktoré obsahujú bieliadlá môžu spôsobiť skrat.

Tento prístroj nesmú obsluhovať alebo čistiť osoby, ktoré majú znížené telesné, senzorické alebo duševné schopnosti, resp. nedostatočné skúsenosti alebo znalosti, iba vtedy áno, ak boli osoby zodpovedné za ich bezpečnosť zákonne poučené o bezpečnej manipulácii s prístrojom. Na hore uvedené osoby treba pri používaní prístroja dohliadať. Tento prístroj nepatrí do rúk deťom. Pri nepoužívaní ho preto treba uschovať bezpečne a mimo dosahu detí.

### 1.3 Technické údaje

	M18 SIC36	M18 SIC60	M18 SISH
Dĺžka kábla kamery.....	36 m.....	60 m	
Hlava kamery .....	Ø 25 mm.....	Ø 34 mm	
Max. zväčšenie .....	4x .....	4x	
Napätie akumulátora .....			18 V
Hmotnosť podľa procedúry EPTA 01/2014 (4,0 Ah / 12 Ah)....	12,4 kg.....	20,46 kg.....	5,37 kg
Bluetooth frekvenčné pásmo (frekvenčné pásma).....			2402-2480 MHz
Vysokofrekvenčný výkon.....			1,8 dBm
Bluetooth verzia .....			4.0 BT-signalný režim
Odporúčaná teplota okolia pri práci .....		-18 .....	+50 °C
Odporúčané typy akumulátora .....		M18B.....; M18HB....	
Odporúčané nabíjačky .....		M12-18C, M12-18AC, M12-18FC, M1418C6	

### 1.4 Používanie na určený účel

Systém na inšpekciu rúr slúži na prehliadku a inšpekciu potrubí. Systém pozostáva z troch modulov:

#### - Bubon na inšpekciu rúr M18 SIC36 alebo M18 SIC60

Bubon na inšpekciu rúr slúži na navíjanie a odvíjanie a na ovládanie zasúvacieho kábla. Bubny sú dostupné v dvoch veľkostiach: M18SIC36 pre rúry s priemerom 50 mm až 150 mm a väčší model M18SIC60 pre rúry s priemerom od 75 mm do 250 mm.

Obidva bubny obsahujú zasúvací kábel s pružinovou konštrukčnou skupinou, na ktorej je namontovaná samonivelačná hlava kamery. Bezdrôtový monitor M18 SIM a Smart Hub M18 SISH sa môžu používať s obidvoma bubnami.

Obidva bubny sa môžu používať ako zvislo, tak aj vodorovne. Na zadnej strane M18 SIC36 sa môže upevniť zariadenie na prenášanie, aby bolo možné nosiť prístroj na chrbte.

#### - Smart Hub M18 SISH

Smart Hub M18 SISH slúži na riadenie systému na inšpekciu rúr.

Bezdrôtový monitor M18 SIM alebo tablet, na ktorom je nainštalovaná aplikácia na inšpekciu rúr Milwaukee®, sa spája so Smart Hub M18 SISH, aby bolo možné prijímať videonahrávky a obrázky. Ako videá, tak aj obrázky sa ukladajú na internej jednotke Smart Hub M18 SISH.

#### - Bezdrôtový monitor M18 SIM (nie je súčasťou dodávky; môžete zakúpiť samostatne)

Bezdrôtový monitor M18 SIM umožňuje prezeranie videí zaznamenaných hlavou kamery, záznam videí a fotografií, ako aj prehrávanie video- a obrazových súborov. Počas videozáznamu sa môžu cez interný mikrofón zaznamenávať hovorené komentáre. Cez funkciu „Označenia“ sa môžu tiež pripojiť texty komentára. Texty komentára sa zobrazia v zaznamenanom videu a objavia sa na fotografiách spolu s dátumom, časom a odvinutou dĺžkou kábla.

Tento prístroj sa smie používať iba na uvedený určený účel.

### 1.5 Požiadavky na rádiovú frekvenciu vzhľadom na európske inštalácie

Upozornenie: Tento prístroj bol otestovaný a dodržiava hraničné hodnoty prijímača kategórie 3 podľa EN 300 440 V2.1.1.

Tieto hraničné hodnoty by mali zabezpečiť primeranú ochranu pred rádiatechnickými poruchami v obytných budovách.

Tento prístroj reaguje na iné prístroje, ktoré vysielajú rádiové vlny vo frekvenčnom rozsahu od 2402 do 2480 MHz. Tým môže dôjsť k poruchám pri používaní diaľkového ovládania. Nie je možné vylúčiť, že za určitých okolností sa prejavia poruchy. Aby bolo možné zistiť, či tento prístroj je rušený rádiovými signálmi iných prístrojov, na krátky čas vypnite ostatné prístroje, aby ste skontrolovali, či poruchy potom zmiznú. Na odstránenie porúch môžu pomôcť nasledujúce opatrenia:

- Vypnite zdroj prúdu.
- Zvýšte vzdialenosť k zdroju rušenia.



- Poradte sa s odborným predajcom alebo kvalifikovaným rádiovým technikom.

## 1.6 ES Vyhlásenie o zhode

Spoločnosť Techtronic Industries GmbH týmto vyhlasuje, že typ rádiového zariadenia M18SISH zodpovedá smernici 2014/53/EÚ. Kompletný text EÚ-vyhlásenia o zhode je k dispozícii na nasledujúcej internetovej adrese: <http://services.milwaukeetool.eu>

## 1.7 ONE-KEY™

Aby bolo možné zistiť viac o funkčnosti ONE-KEY tohto prístroja, prečítajte si priložený návod na rýchle spustenie alebo nás navštívte na internete na stránke [www.milwaukeetool.com/one-key](http://www.milwaukeetool.com/one-key). Aplikáciu ONE-KEY môžete stiahnuť cez aplikáciu Store alebo Google Play na váš smartfón.

Ak dôjde k elektrostatickým výbojom, spojenie Bluetooth sa preruší. V tomto prípade spojenie obnovte znova manuálne,

Prístroj zodpovedá minimálnym požiadavkám podľa EN 55014-2:2015 / EN 301489-1 V2.2.3 / EN 301489-17 V3.1.1.

### Indikátor ONE-KEY™

Modré svietenie: Rádiové spojenie je aktívne a môže sa nastaviť cez aplikáciu ONE-KEY™.

Modré blikanie: Prístroj komunikuje s aplikáciou ONE-KEY™.

Červené blikanie: Prístroj bol z bezpečnostných dôvodov zablokovaný a obsluha ho môže odblokovať cez aplikáciu ONE-KEY™.

## 1.8 Akumulátory

Akumulátory, ktoré neboli dlhší čas používané, pred použitím dobite.

Teplota viac ako 50 °C znižuje výkon akumulátora. Vyvarujte sa dlhšieho ohrievania slnkom alebo kúrenia.

Pripojovacie kontakty na nabíjačke a akumulátore udržiavajte čisté.

Pre podľa možnosti dlhú životnosť by sa mal akumulátor po nabití z nabíjačky odstrániť.

K zabezpečeniu dlhej životnosti by sa akumulátory mali po nabití vybrať z nabíjačky.

Pri skladovaní akumulátora viac ako 30 dní:

Akumulátor skladujte pri teplote menej ako 27 °C a v suchu.

Akumulátor skladujte pri stave nabitia cca 30 % – 50 %.

Akumulátor znova nabíte každých 6 mesiacov.

## 1.9 Preprava lítium-iónového akumulátora

Lítium-iónové akumulátory spadajú pod zákonné ustanovenia k preprave nebezpečného nákladu.

Preprava tohto akumulátora sa musí uskutočniť za dodržania miestnych, národných a medzinárodných predpisov a ustanovení.

- Spotrebitelia smú tieto akumulátory prepravovať na ulici bez ťažkostí.
- Komerčná preprava lítium-iónových akumulátorov špedičnými podnikmi podlieha ustanoveniam prepravy nebezpečného nákladu. Prípravy na odoslanie a prepravu smú vykonávať výlučne zodpovedajúco vyškolené osoby. Celý proces musí byť sprevádzaný odborne.

Pri preprave akumulátorov je nutné zohľadniť nasledujúce body:

- Uistite sa, že sú kontakty chránené a izolované, aby bolo možné zabrániť skratu.
- Dávajte pozor na to, že akumulátor vo vnútri obalu nesmie kĺzať.
- Poškodené alebo vytečené akumulátory sa nesmú prepravovať.

Pre ďalšie pokyny sa obráťte na váš špedičný podnik.

## 1.10 Údržba

Používajte iba príslušenstvo Milwaukee a náhradné diely Milwaukee. Konštrukčné diely, ktorých výmena nebola opísaná, nechajte vymeniť v zákazníckom servise Milwaukee (zohľadnite brožúru Záruka/Adresy zákazníckeho servisu).

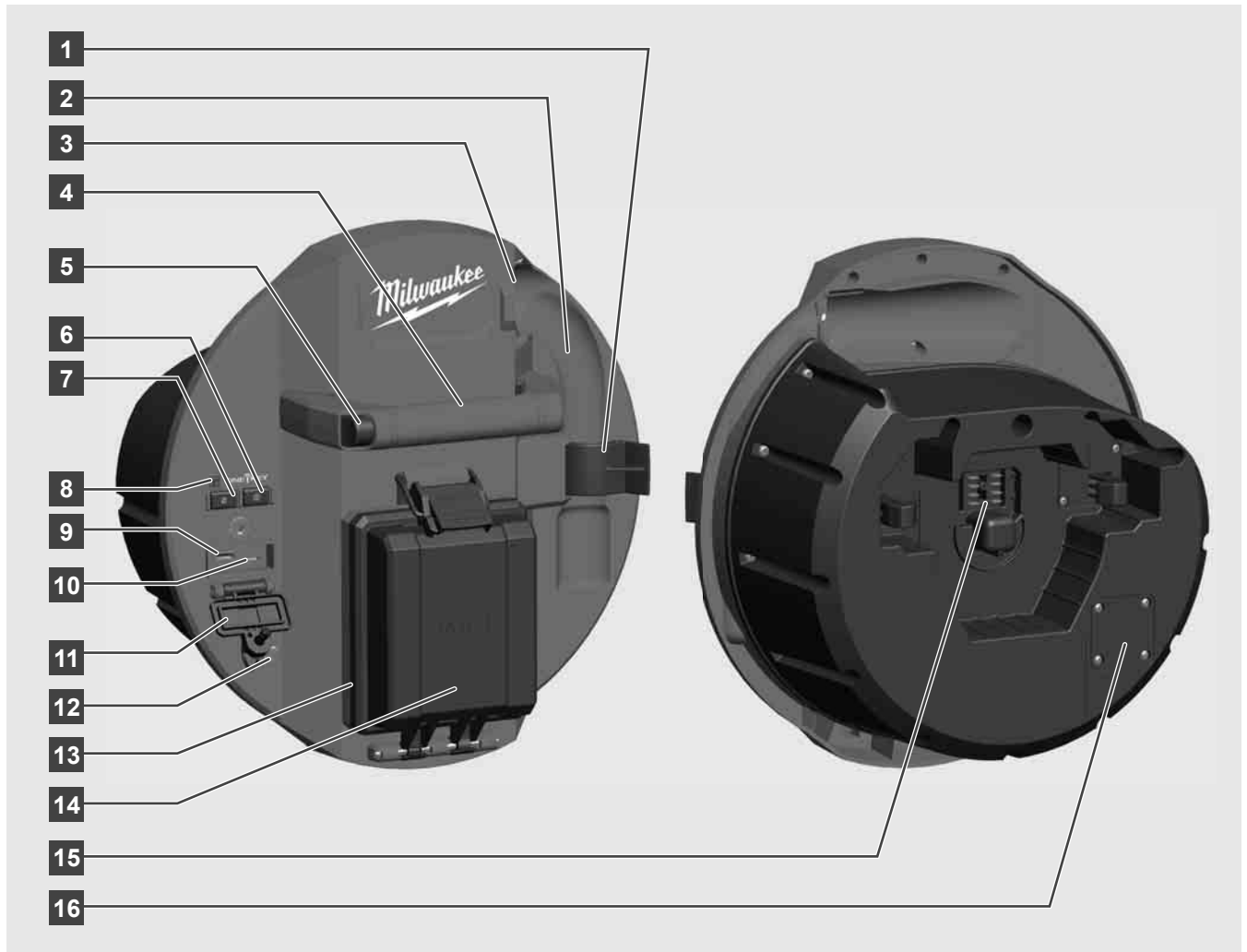
V prípade potreby je možné vyžiadať podrobný výkres prístroja za uvedenia typu prístroja a šesťmiestneho čísla na výkonovom štítku vo vašom zákazníckom servise alebo priamo u spoločnosti Techtronic Industries GmbH, Max Eyth Straße 10, 71364 Winnenden, Germany/Nemecko.

## 1.11 Symboly

	POZOR! VAROVANIE! NEBEZPEČENSTVO!
	Pred všetkými prácami na prístroji vyberte akumulátor.
	Pred uvedením do prevádzky si starostlivo prečítajte návod na používanie.
	Noste ochranné rukavice!
	Pri prácach s prístrojom noste vždy ochranné okuliare.
	Elektrické prístroje, batérie/akumulátory sa nesmú likvidovať spolu s domovým odpadom. Elektrické prístroje a akumulátory, ktoré sa musia zlikvidovať, je nutné zbierať oddelene a odovzdať na ekologickú likvidáciu v recyklačnom podniku. Informujte sa na miestnych úradoch alebo u vášho odborného predajcu ohľadom recyklačných dvorov a zberných miest.
	Napätie
	Jednosmerný prúd
	Značka zhody v Európe
	Britská značka zhody
	Značka zhody na Ukrajine
	Značka zhody pre oblasť Eurázie

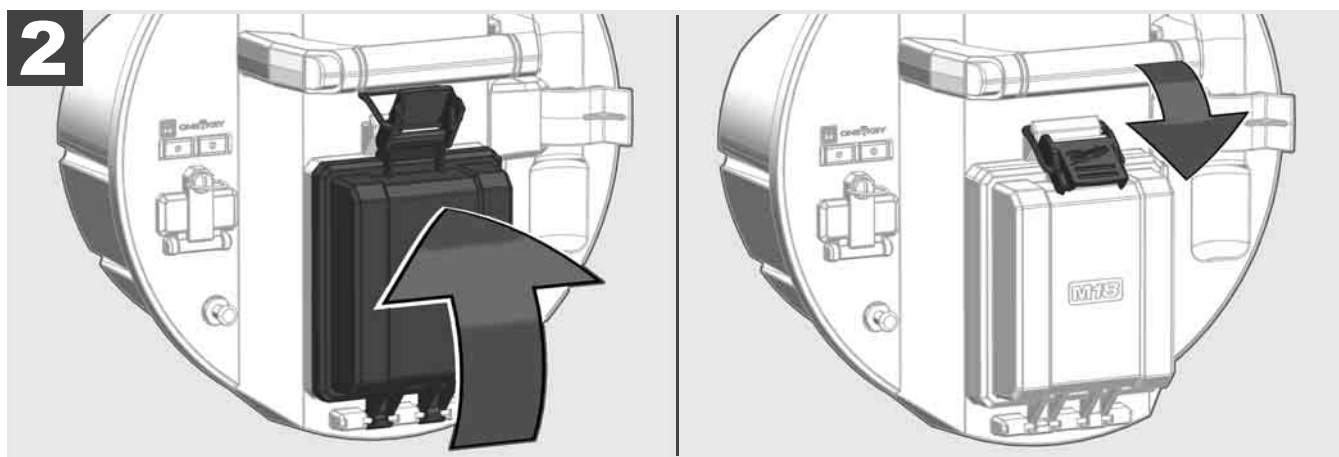
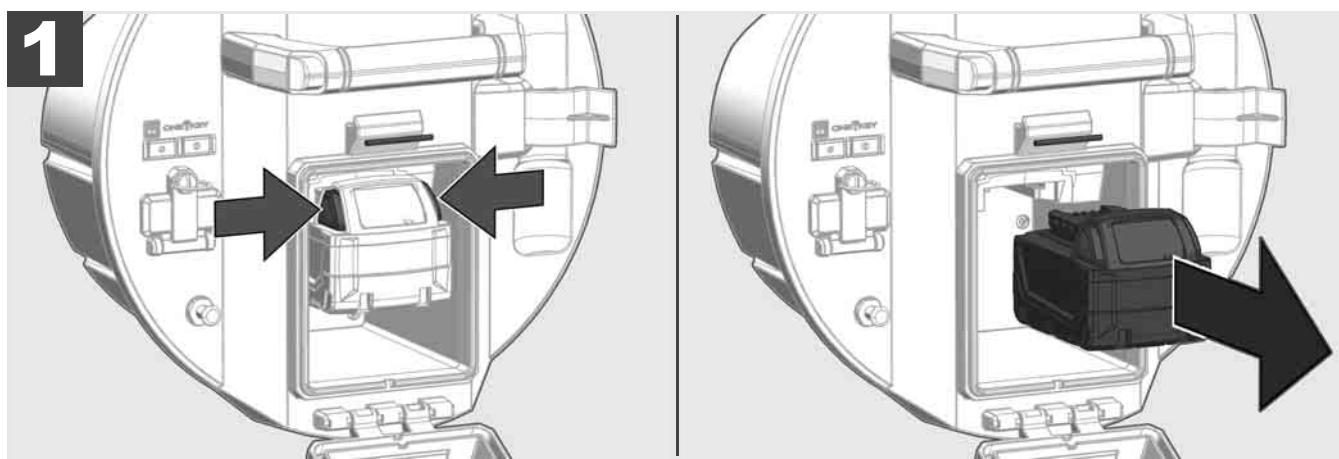
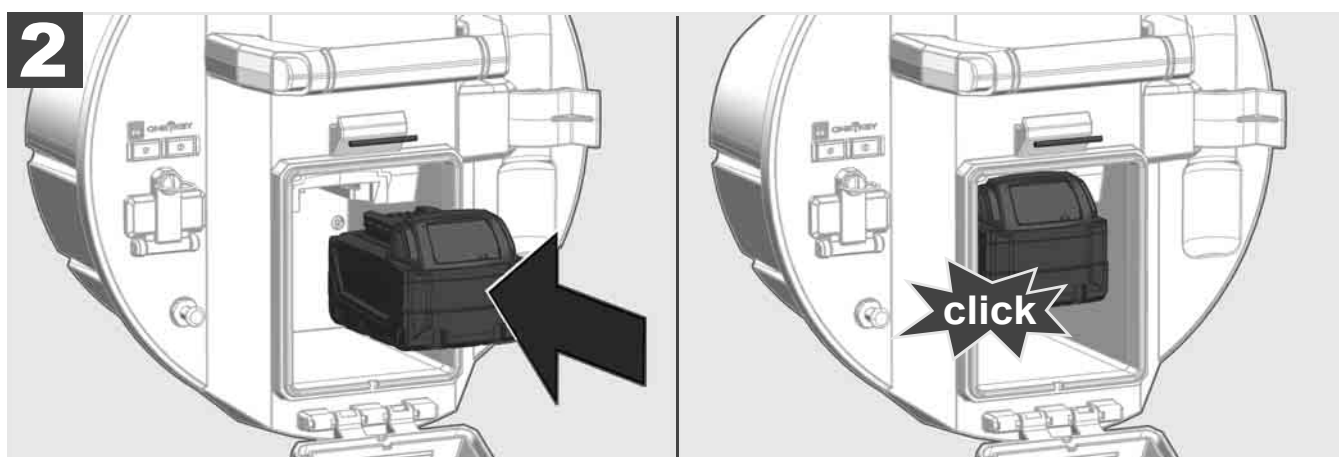
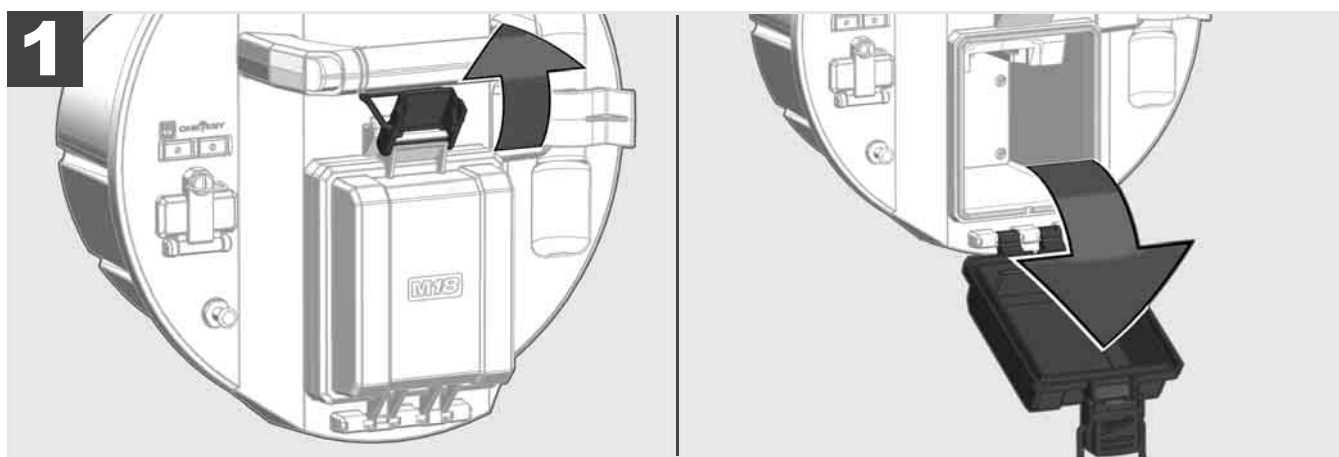
## 2 SMART HUB M18 SISH

### 2.1 Prehľad Smart Hub M18 SISH



- 1 Pružinová poistná svorka – Na zabezpečenie pružín a kamery počas prepravy.
- 2 Uchytenie pružiny – Drží pružinu a kameru počas prepravy a uskladnenia na mieste.
- 3 Vedenie kábla – Pred zaskočením Smart Hub navlečte pružinu a zasúvací kábel cez vedenie.
- 4 Držadlo
- 5 Uvoľňovacie tlačidlo – Stlačte toto tlačidlo, aby ste Smart Hub uvoľnili z bubna na inšpekciu rúr.
- 6 Hlavný vypínač – Raz krátko stlačte, aby ste zapli prístroj; podržte stlačený, aby ste vypli prístroj.
- 7 Vrátenie dĺžky kábla do pôvodného stavu – Nastaví dĺžku odvinutého kábla na nulu.
- 8 LED-displej ONE-KEY
- 9 USB-A-port – Na nepriame ukladanie videí a fotografií, ako aj na aktualizácie firmvéru.
- 10 USB-C-port – Voliteľná napájacia a dátová prípojka na spojenie bezdrôtového monitoru M18 SIM so Smart Hub.
- 11 Kryt USB-prípojky – Vodotesný kryt, ktorý chráni USB-prípojky pred prachom a vlhkosťou.
- 12 Uzemňovacia tyč – Na uzemnenie Smart Hub pri sledovaní zasúvacieho kábla.
- 13 Kryt akumulátora – Vodotesný kryt, ktorý chráni akumulátor pred prachom a vlhkosťou.
- 14 Priehradka na akumulátor – Pre akumulátor M18™
- 15 Prípojka na spojenie Smart Hub a bubna na inšpekciu rúr.
- 16 Testovacia prípojka kamery – Na odstraňovanie chýb pri problémoch s hlavou kamery

## 2.2 Vloženie a vybratie akumulátora



## 2.3 Kontrola stavu nabitia akumulátora



78-100 %



55-77 %



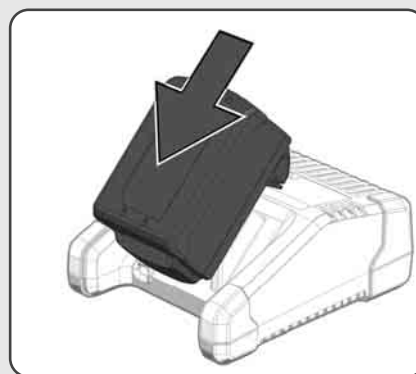
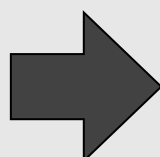
33-54 %

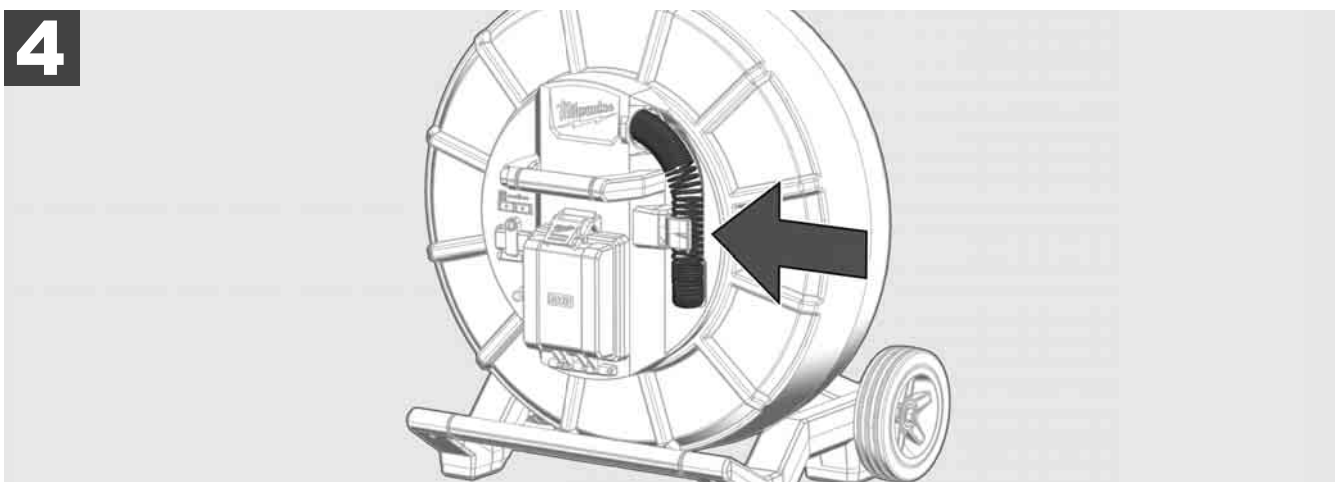
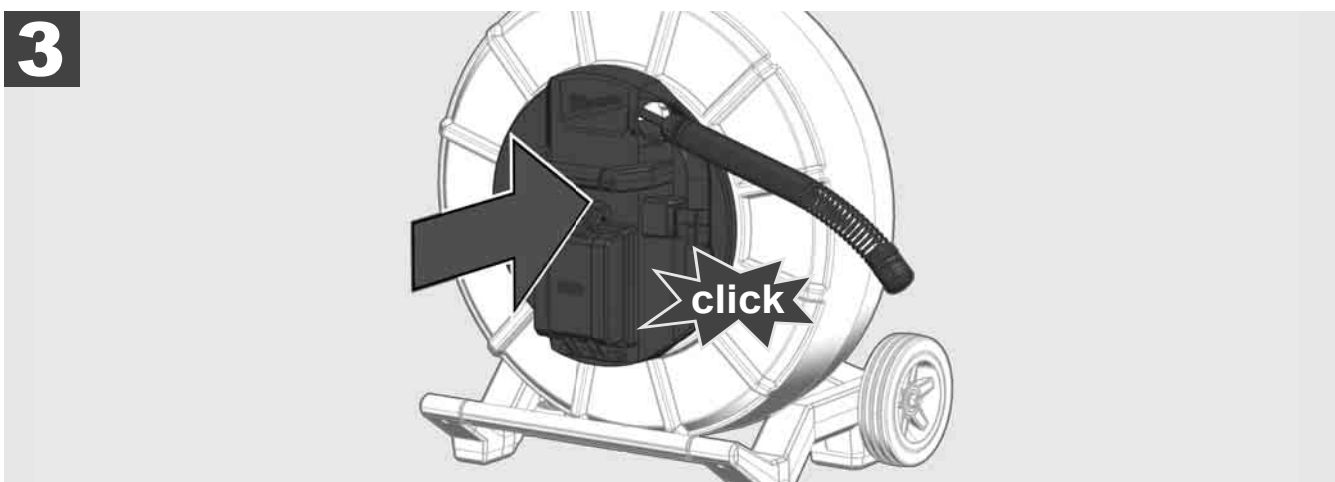
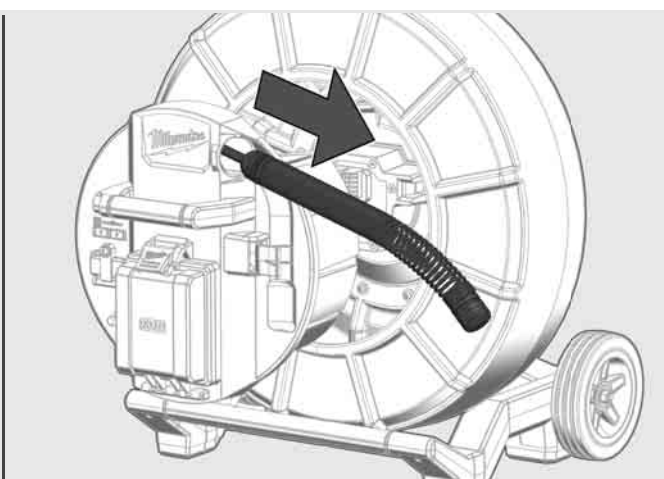
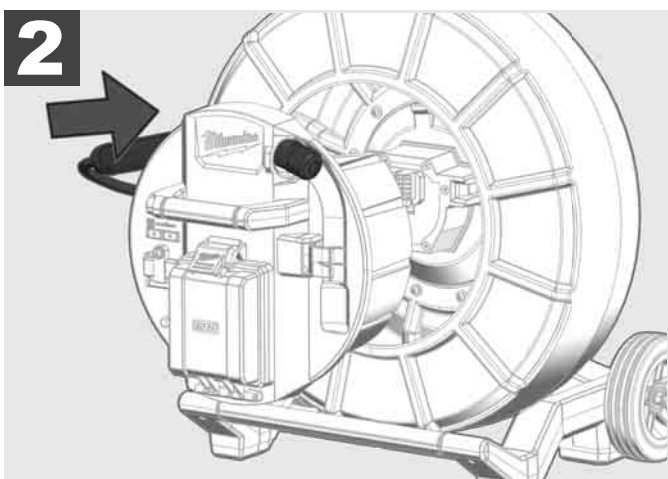
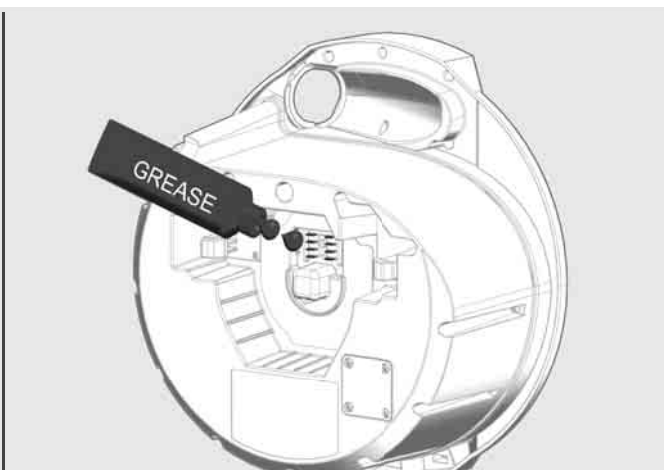
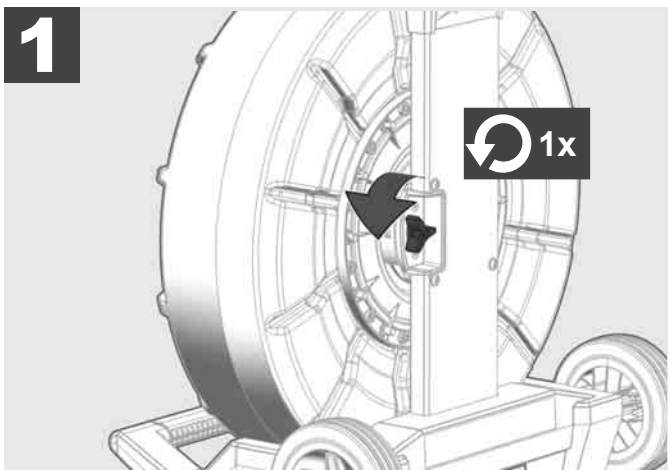


10-32 %



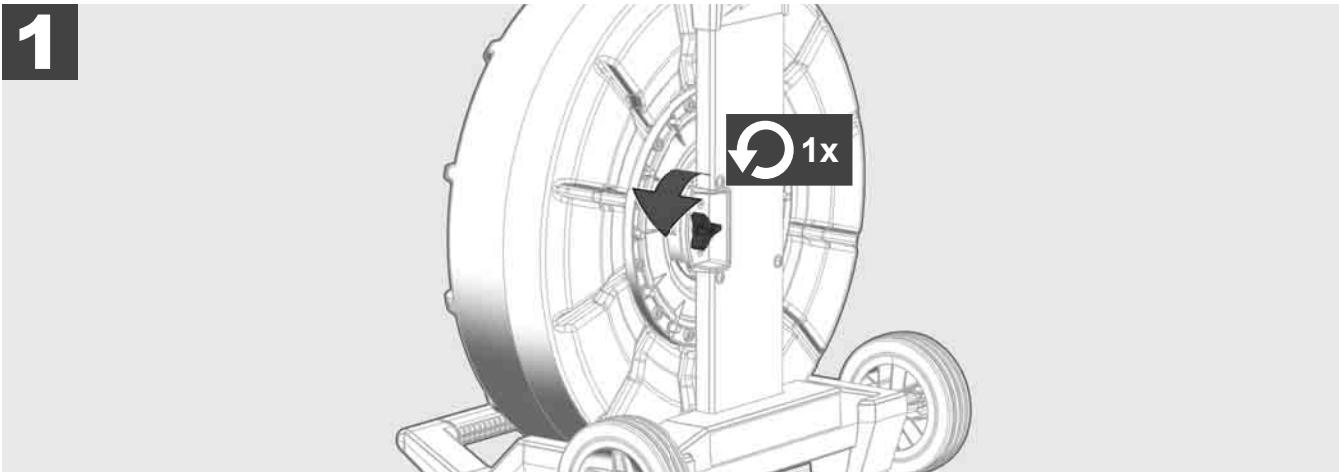
< 10 %



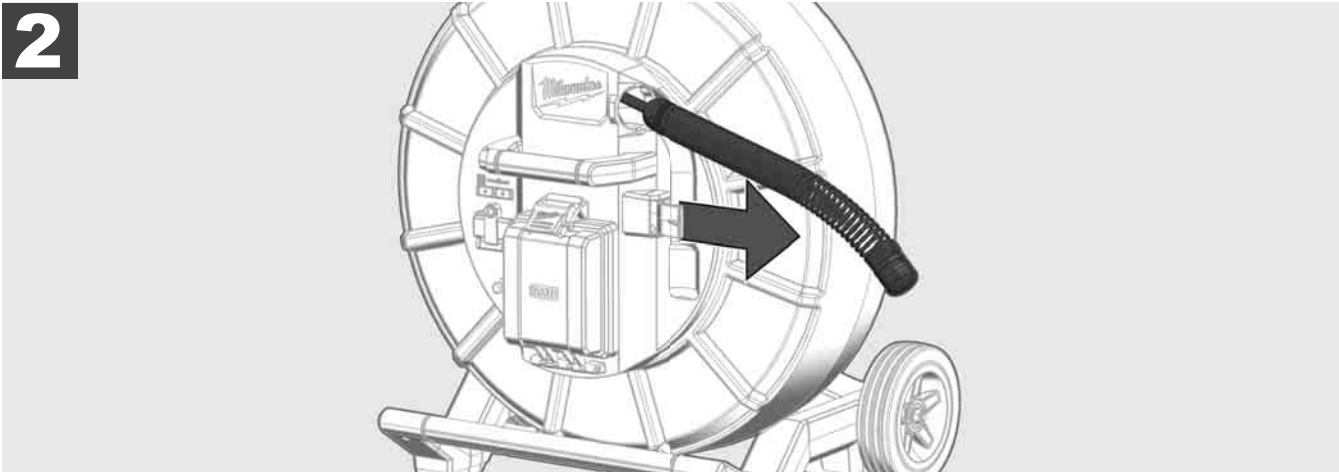




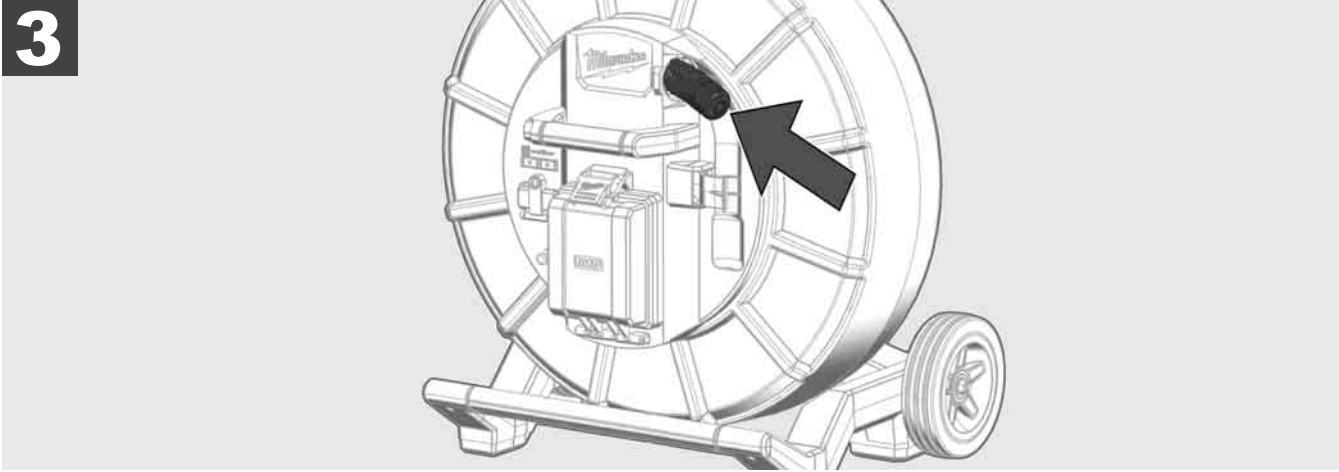
**1**



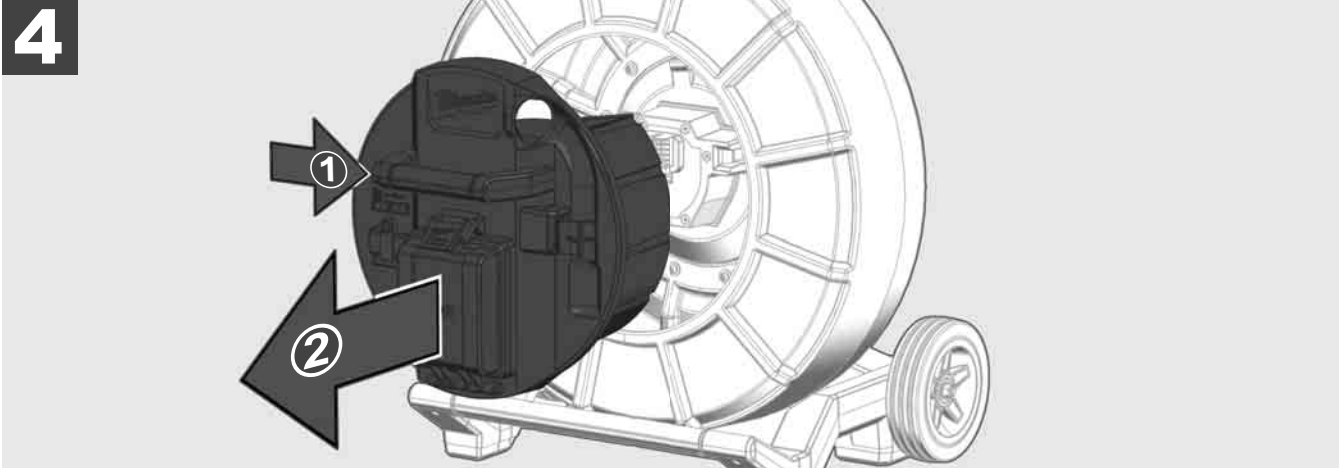
**2**



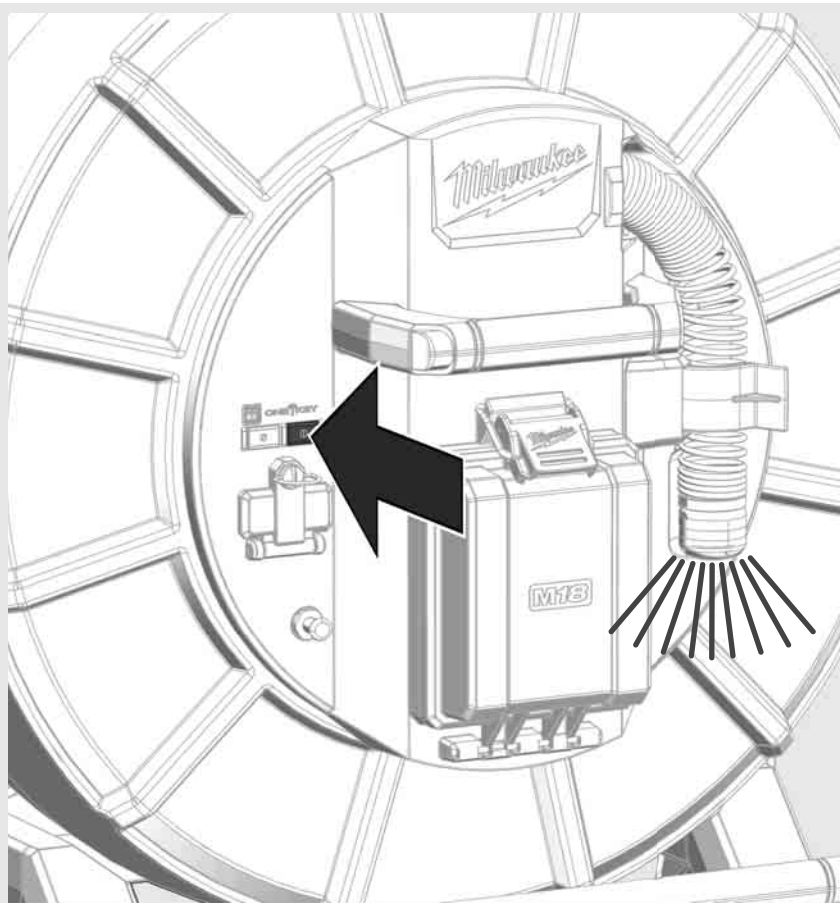
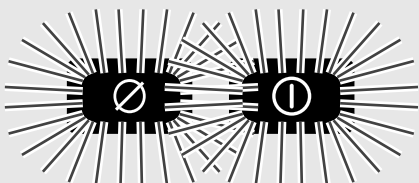
**3**



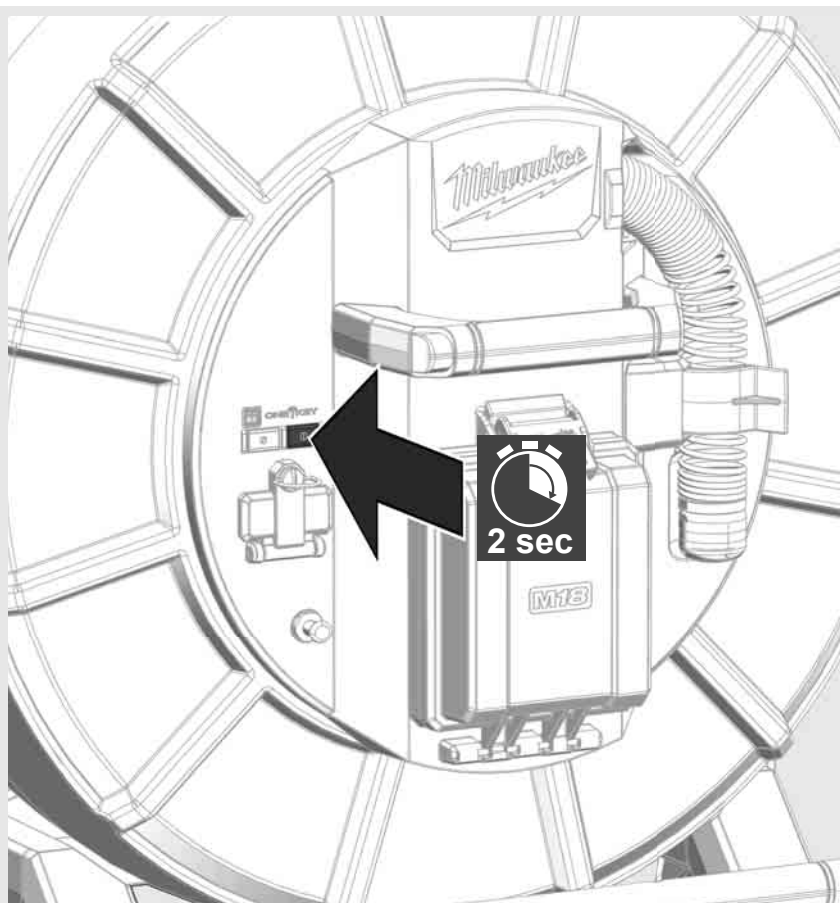
**4**



# ON



# OFF





## 2.7 Pripojenie monitora

Aby bolo možné zmeniť nastavenia SYSTÉMU NA INŠPEKCIU RÚR, ovládať jeho funkcie a zobrazíť obrázky a videá zaznamenané kamerou, bude potrebné externé zobrazovacie zariadenie.

Externé zobrazovacie zariadenie nie je súčasťou dodávky SYSTÉMU NA INŠPEKCIU RÚR a musí sa kúpiť samostatne.

K dispozícii sú nasledujúce možnosti:

- MILWAUKEE BEZDRÔTOVÝ MONITOR M18 SIM
- Tablet alebo smartfón s APLIKÁCIU NA INŠPEKCIU RÚR MILWAUKEE

BEZDRÔTOVÝ MONITOR sa pripája cez WLAN alebo USB-C-port na SYSTÉM NA INŠPEKCIU RÚR a je ihneď pripravený na použitie. Pri použití tabletu alebo smartfónu najprv nainštalujte APLIKÁCIU NA INŠPEKCIU RÚR MILWAUKEE na príslušnom prístroji.

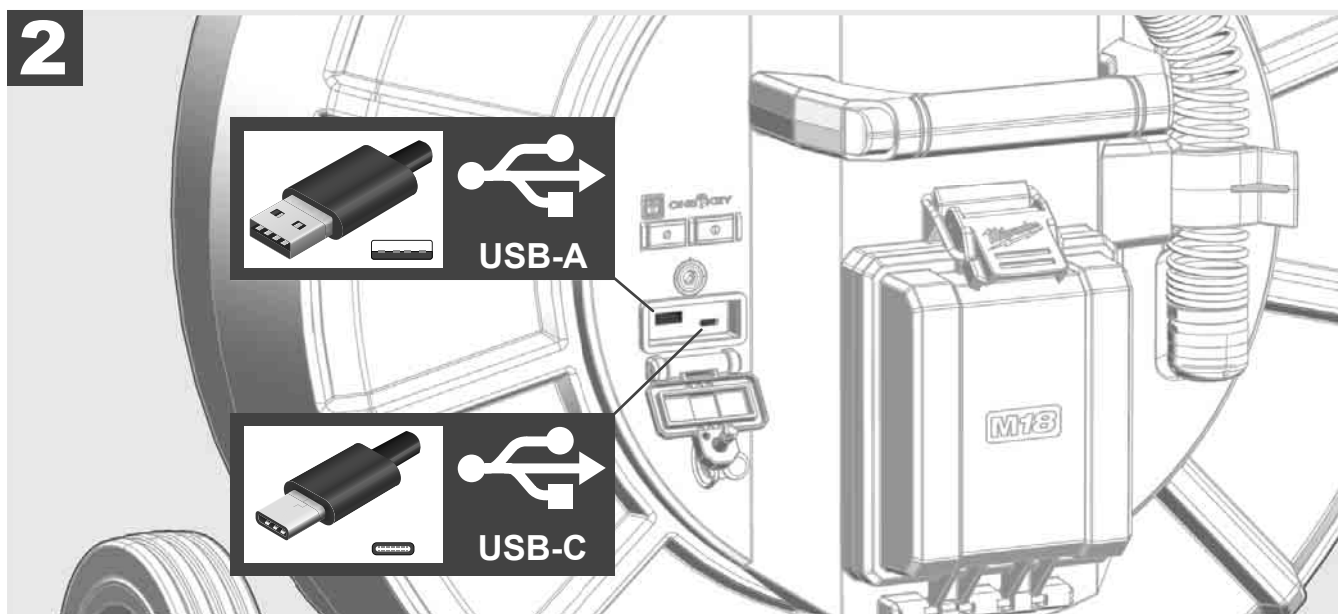
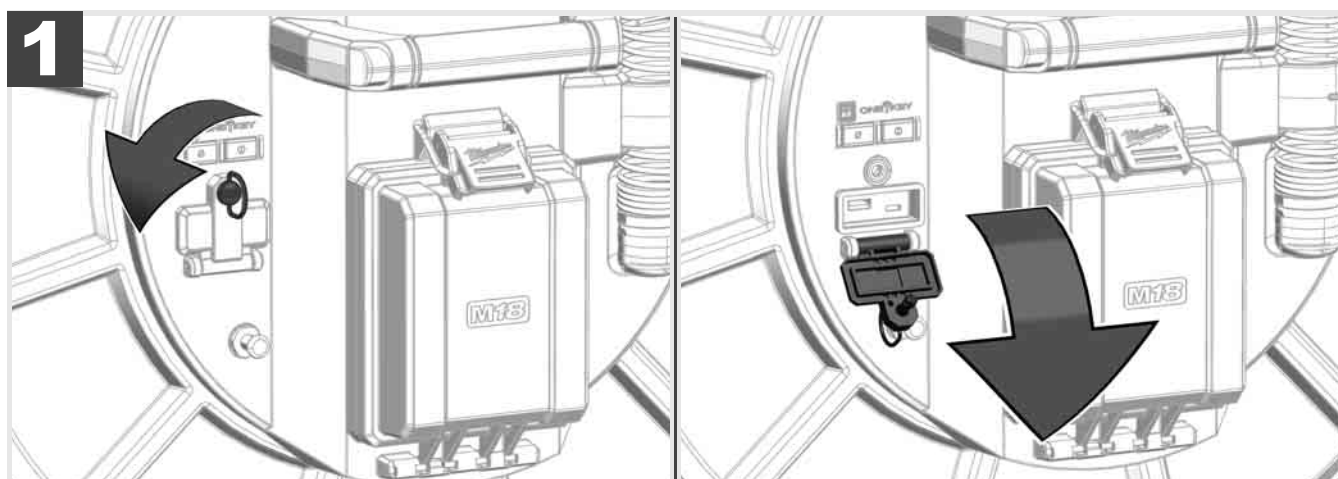
### **PRVÉ POUŽITIE S BEZDRÔTOVÝM MONITOROM M18 SIM:**

1. Zapnite SMART HUB a BEZDRÔTOVÝ MONITOR.
2. BEZDRÔTOVÝ MONITOR sa v rámci 25 sekúnd spojí automaticky so SMART HUB.

\*Pre káblové spojenie pripojte monitor cez USB-C-kábel na Smart Hub.

### **PRVÉ POUŽITIE SO SMARTFÓNOM ALEBO TABLETOM**

1. Stiahnite a nainštalujte APLIKÁCIE NA INŠPEKCIU RÚR MILWAUKEE.
2. Zapnite SMART HUB a zobrazovacie zariadenie.
3. Zvoľte možnosť Nastavenia > WLAN.
4. Zvoľte možnosť MTCAM\_[LAST 9 DIGITS OF HUB SERIAL #].
5. Zadanie hesla: 29702000
6. Spustíte APLIKÁCIU NA INŠPEKCIU RÚR MILWAUKEE.

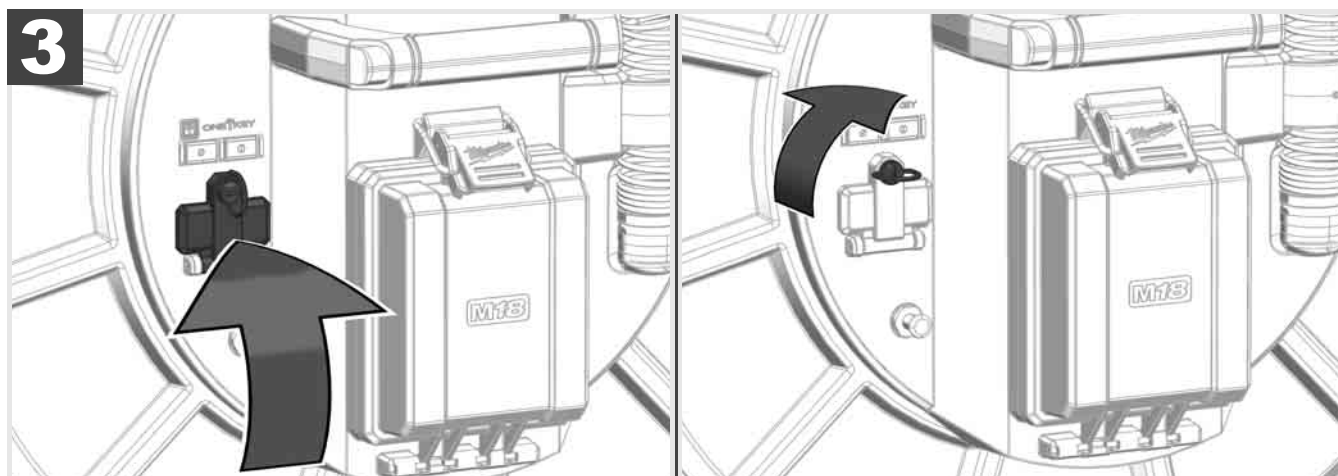


### USB-A

- Port na normálne používanie. Umožňuje priamy záznam video- a obrazových súborov, resp. ich prenos z internej jednotky Smart Hub.
- Umožňuje realizáciu aktualizácie firmvéru na Smart Hub.

### USB-C

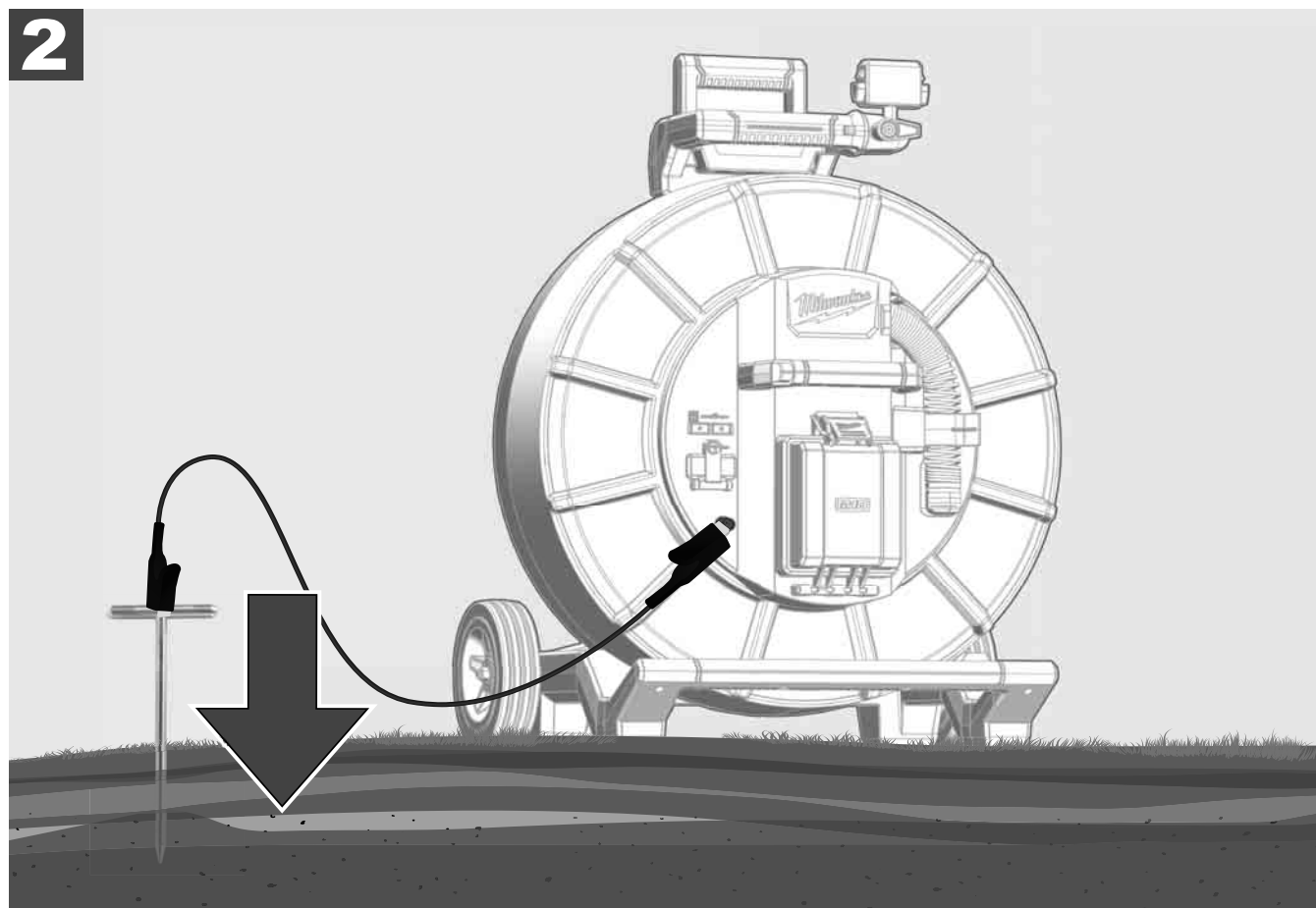
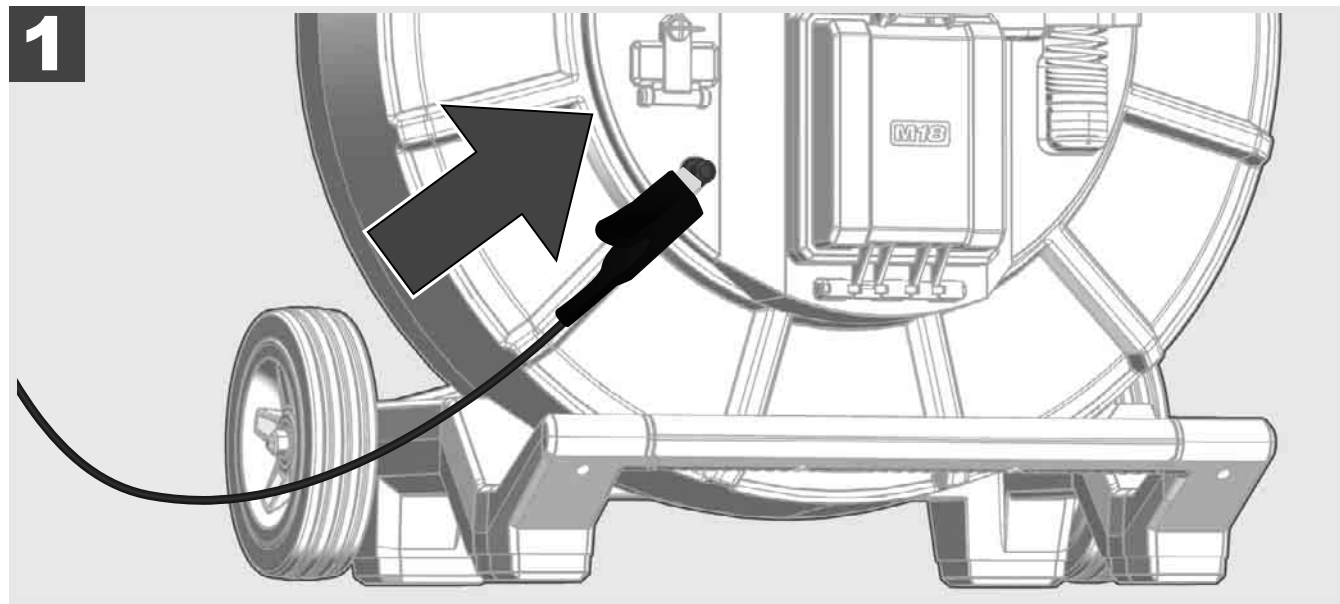
- Umožňuje spojenie medzi bezdrôtovým monitorom M18 SIM a Smart Hub bez spojenia WLAN. Napájanie Smart Hub cez bezdrôtový monitor M18 SIM alebo opačne, keď akumulátor nie je nabitý.



## 2.9 Uzemňovacia tyč




Uzemňovacia tyč sa musí použiť vždy vtedy, keď zasúvací kábel disponuje funkciou SLEDOVANIE KÁBLA. Smart Hub sa musí uzemniť, aby bola prúdová slučka uzatvorená a vysielal sa dobrý lokalizačný signál. Na uzemnenie Smart Hub použite dodaný uzemňovací kábel aj s uzemňovacou tyčou.

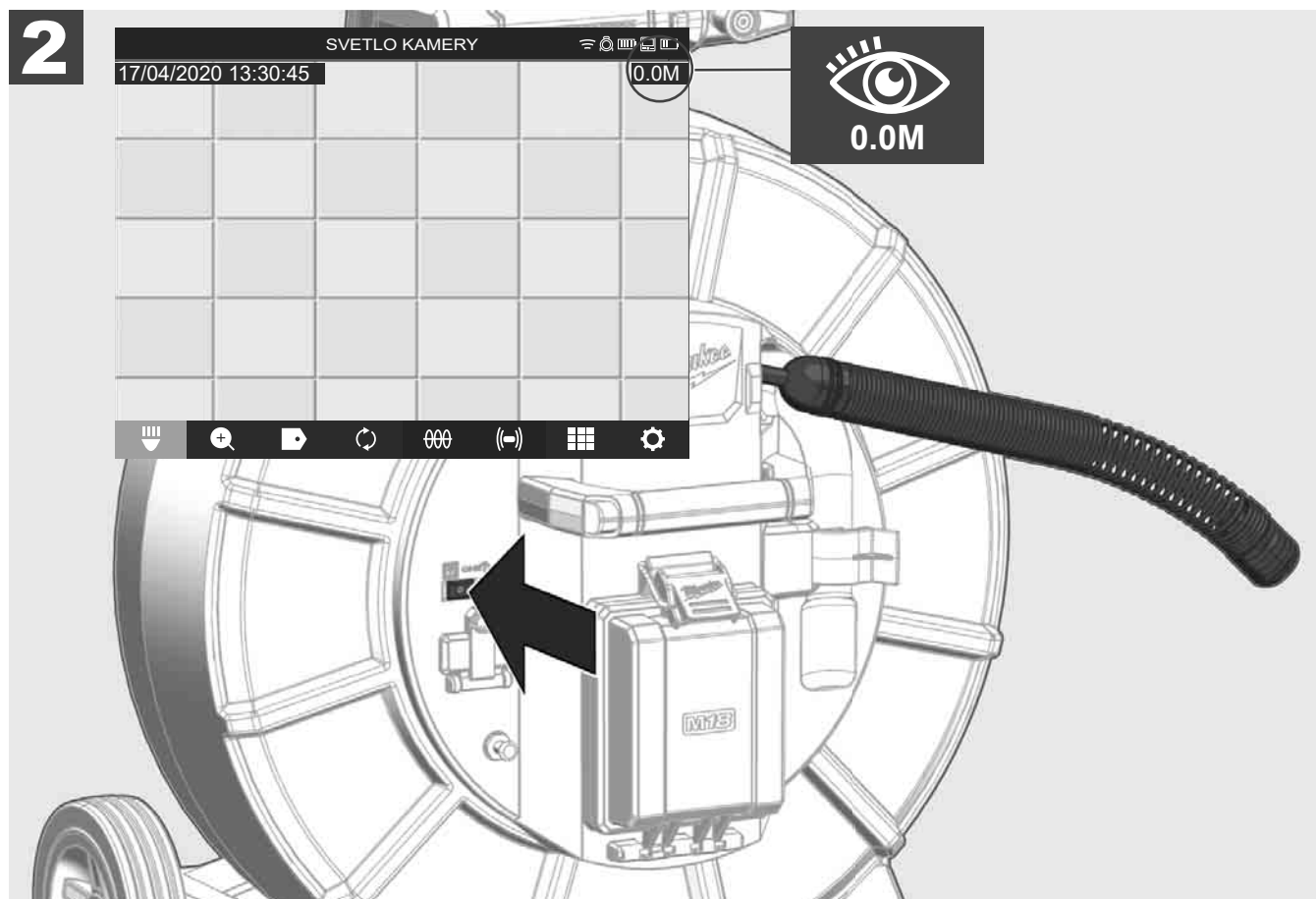
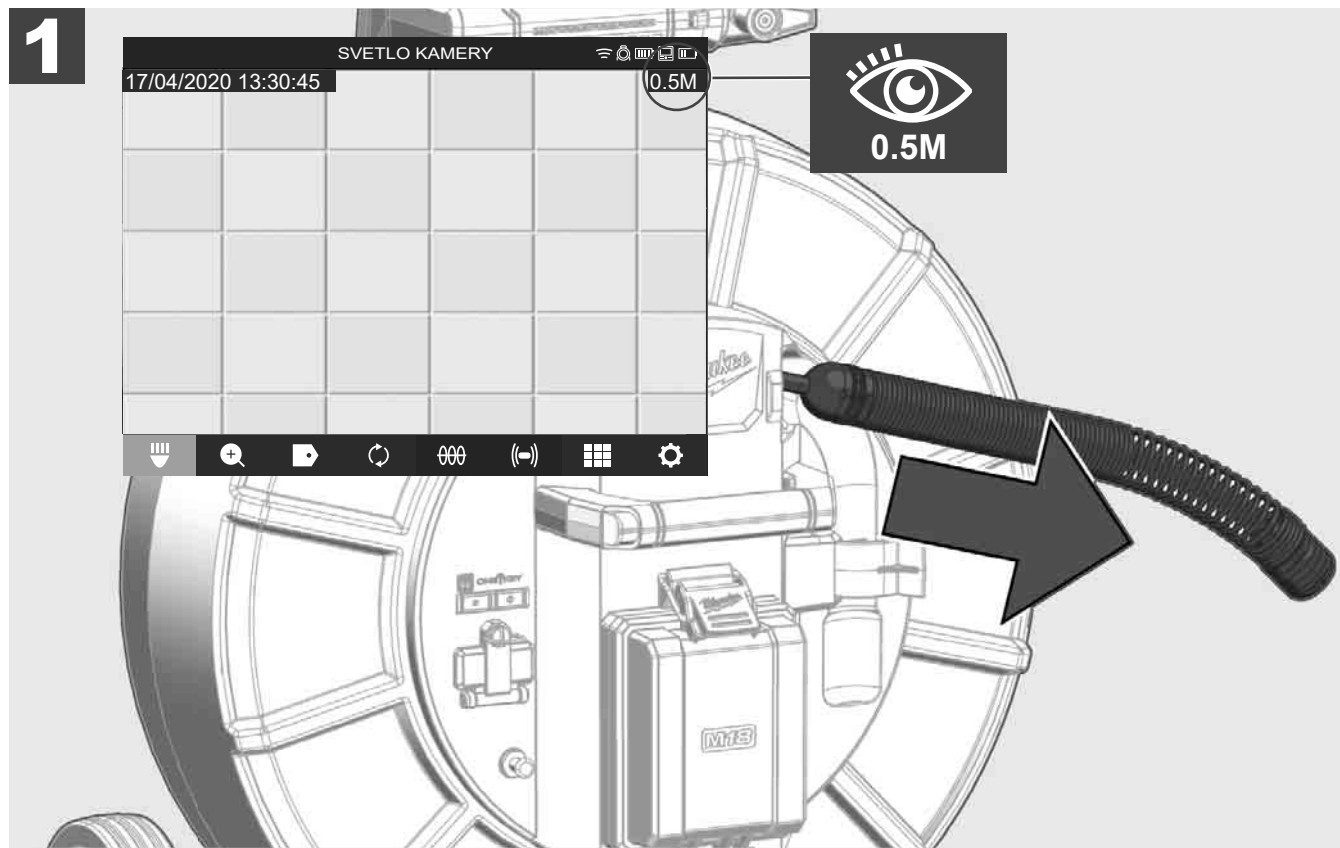


## 2.10 Vynulovanie počítadla dĺžky



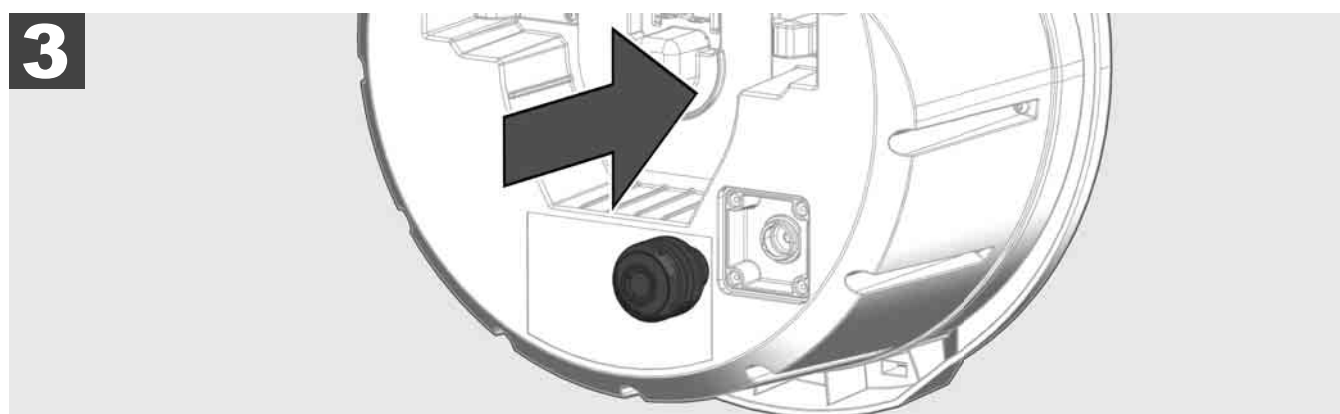
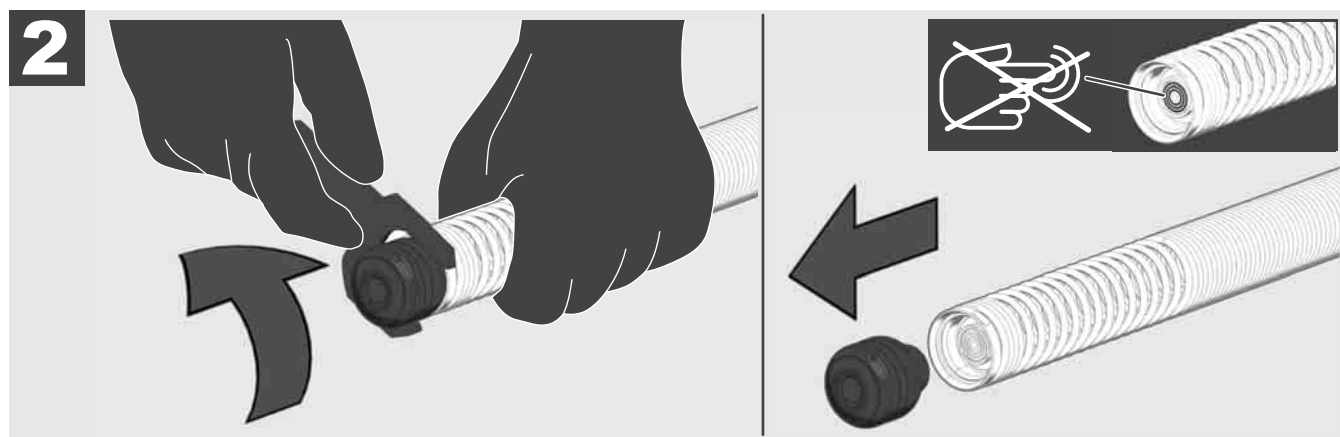
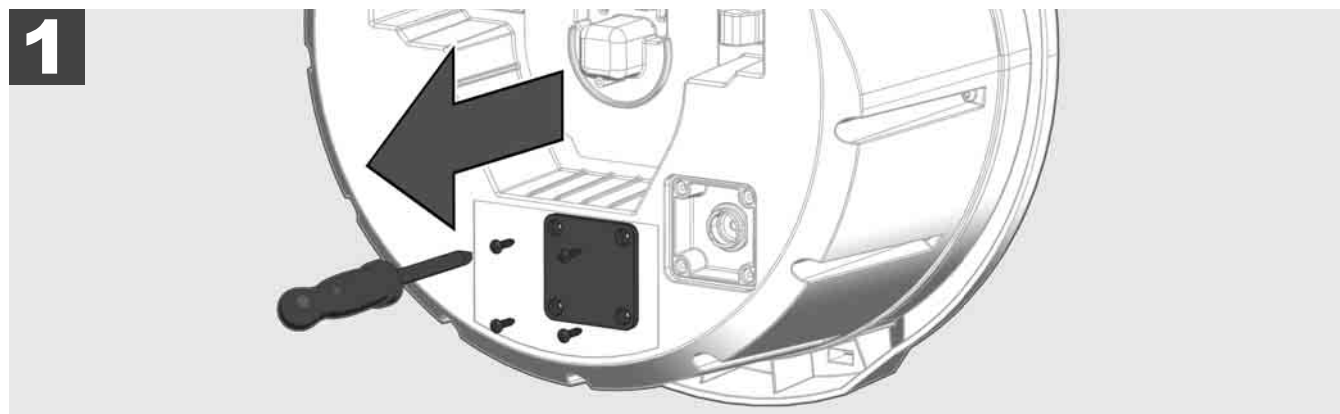
Pri odvíjaní BUBNA NA INŠPEKCIU RÚR sa dĺžka odvinutého kábla zobrazuje na stavovej lište bezdrôtového monitora M18 SIM.

Aby bolo možné vynulovať zobrazenie, stlačte tlačidlo .



## 2.11 Testovacia prípojka kamery


Ak by sa mali vyskytnúť problémy s hlavou kamery, kamera sa môže skontrolovať cez testovaciu prípojku.

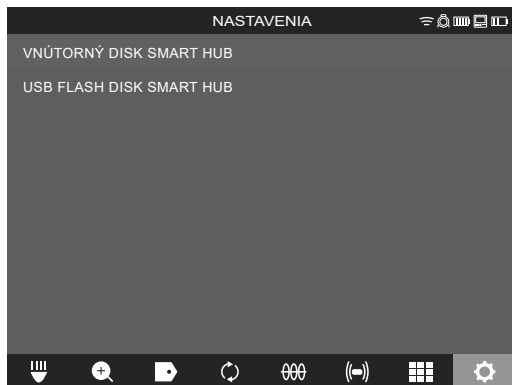


## 2.12 Formátovanie vnútorného disku a USB flash disku

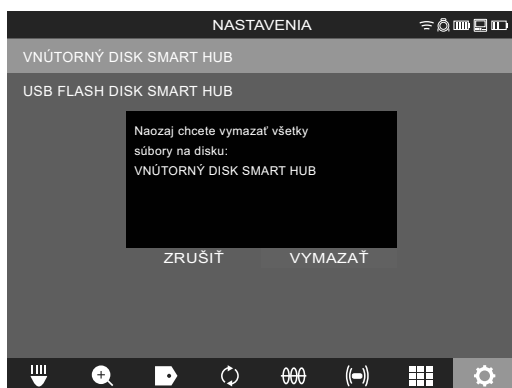
Pomocou tejto funkcie môžete naformátovať internú jednotku 500-GB Smart Hub alebo USB flash disk.

USB flash disky sa musia naformátovať vo formáte FAT32.

1. Zvoľte **NASTAVENIA**  → **FORMÁTOVANIE PAMÄTE**
2. Zvoľte pamäť.



3. Potvrďte hlásenie na obrazovke.



Zvolená jednotka sa naformátuje a systém sa vráti späť k menu **NASTAVENIA**.

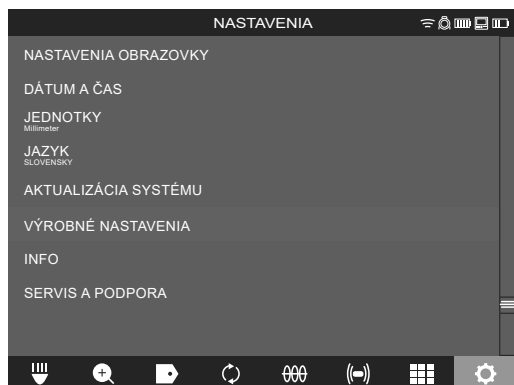
## 2.13 Výrobné nastavenia

Voľba funkcie Výrobné nastavenia vynuluje Smart Hub M18 SISH na hodnoty nastavené v závode.

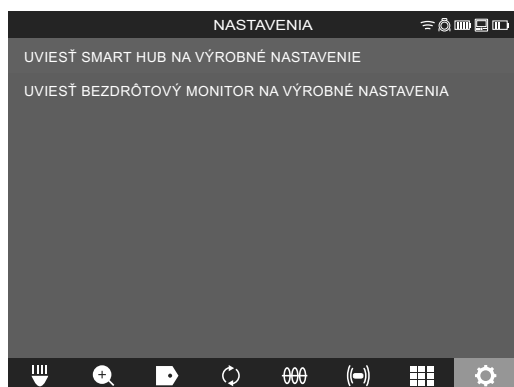
Nasledujúce nastavenia Smart Hub M18 SISH sa vynulujú:

- OZNAČENIA sa vynulujú.
- VIDEO- a OBRAZOVÉ NASTAVENIA sa vynulujú na 1080 P.
- NÁZOV FIRMY sa vymaže.
- ŠPECIÁLNA FREKVENCIA sa vynuluje na výrobné nastavenie.
- SLEDOVANIE KÁBLA sa vynuluje na výrobné nastavenie.
- NASTAVENIA OBRAZOVKY sa vynulujú na výrobné nastavenie. Farebný odtieň, jas, kontrast, sýtosť
- MERACIE JEDNOTKY

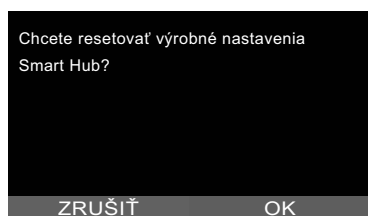
1. Zvoľte **NASTAVENIA**  → **VÝROBNÉ NASTAVENIA**



2. Zvoľte **VÝROBNÉ NASTAVENIA** Smart Hub M18 SISH.



3. Prečítajte si a potvrdte hlásenie Reset pomocou OK.



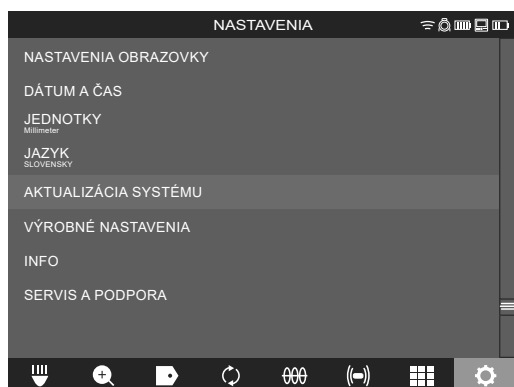
Vynulovanie na výrobné nastavenia je ukončené a systém sa vráti k podmenu **VÝROBNÉ NASTAVENIA**.

## 2.14 Aktualizácia systému

Pred aktualizáciou systému otvorte menu **NASTAVENIA** → **INFO** a poznamenajte si aktuálnu verziu firmvéru.

Aktualizáciu firmvéru môžete vykonať buď cez bezdrôtový monitor M18 SIM alebo pomocou tabletu s aplikáciou na inšpekciu rúr Milwaukee®.

1. Zapnite Smart Hub M18 SISH a bezdrôtový monitor M18SIM alebo tablet s aplikáciou na inšpekciu rúr Milwaukee®.
2. Uistite sa, že bezdrôtový monitor M18 SIM, resp. tablet je spojený cez WLAN so Smart Hub M18 SISH. Keď neexistuje žiadne spojenie WLAN, najprv vytvorte toto.
3. Zastrčte USB flash disk s aktualizáciou firmvéru do USB-A-Port Smart Hub M18 SISH.
4. Zvoľte **NASTAVENIA** → **AKTUALIZÁCIA SYSTÉMU**



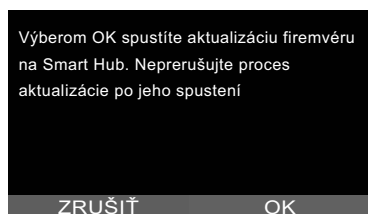
5. Zvoľte Smart Hub M18 SISH.



6. Názov súboru aktualizácie sa zobrazí na obrazovke. Zvoľte **NÁZOV SUBORU**, aby ste spustili aktualizáciu.

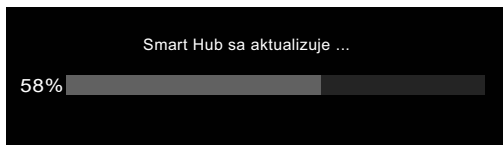


7. Prečítajte si a potvrdte výstražné hlásenie pomocou OK.

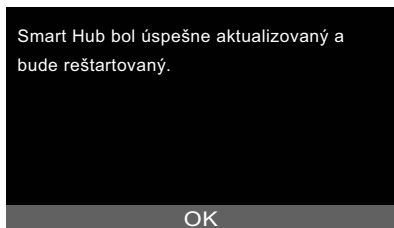




8. Na pruhu znázorňujúcom postup sa zobrazuje priebeh aktualizácie.



9. Na konci aktualizácie sa zobrazí hlásenie, ktoré sa musí potvrdiť. Zvoľte OK, aby ste spustili systém nanovo.



10. Zvoľte **NASTAVENIA** → **INFO**, aby ste skontrolovali, či bola aktualizovaná verzia firmvéru.

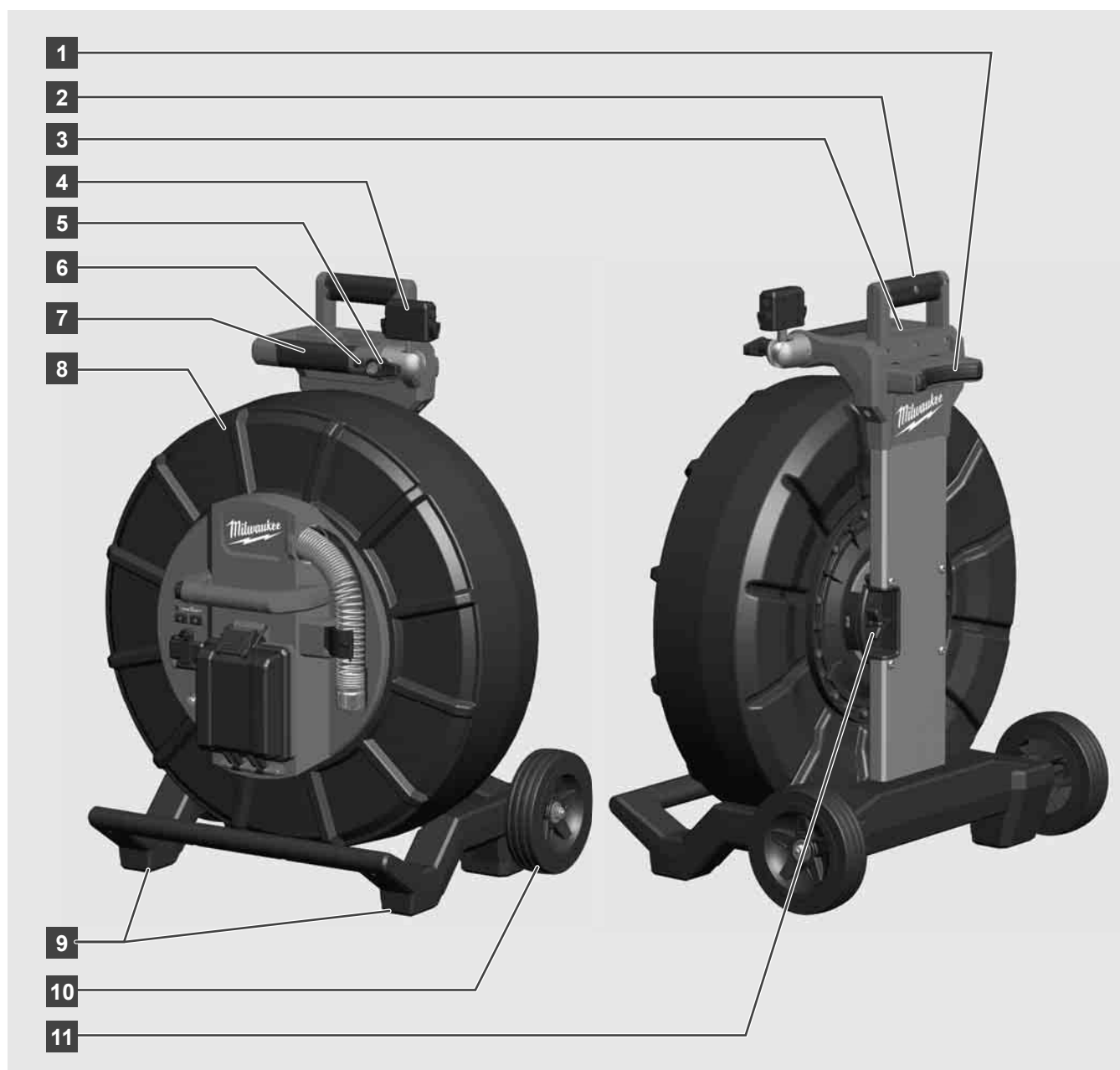
## 3 BUBNY NA INŠPEKCIU RÚR

### 3.1 Prehľad bubna na inšpekciu rúr M18 SIC36



- 1 Nastavovací podstavec pre horizontálne používanie
- 2 Bezdrôtový monitor M18 SIM – Držiak tabletu a prípojka
- 3 Bezdrôtový monitor M18 SIM – Otočná aretácia
- 4 Bezdrôtový monitor M18 SIM – Sklopná aretácia
- 5 Držadlo
- 6 Káblový bubon so zasúvacím káblom
- 7 Nastavovací podstavec pre vertikálne používanie
- 8 Brzda káblového bubna
- 9 Nastavovací podstavec pre horizontálne používanie
- 10 Zariadenie na prenášanie

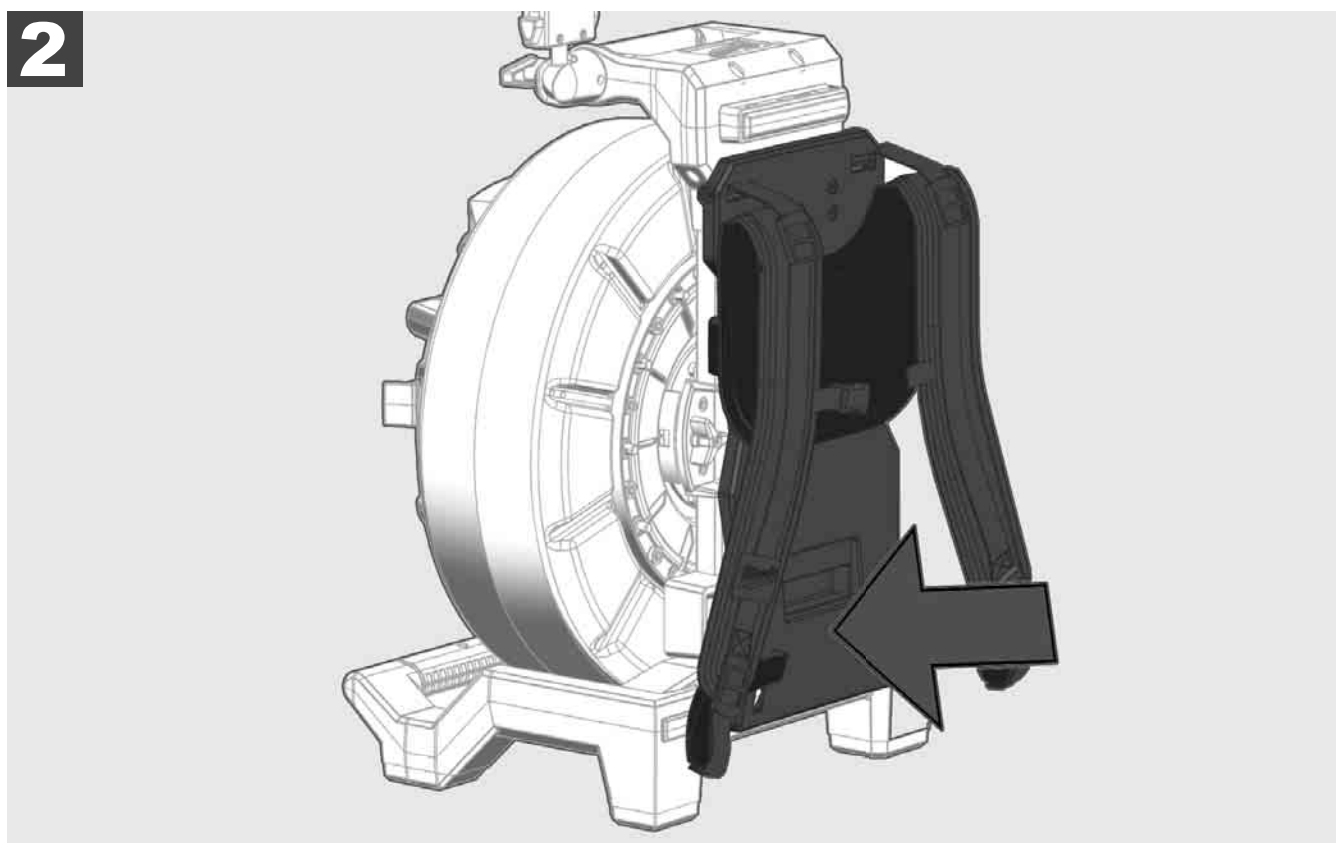
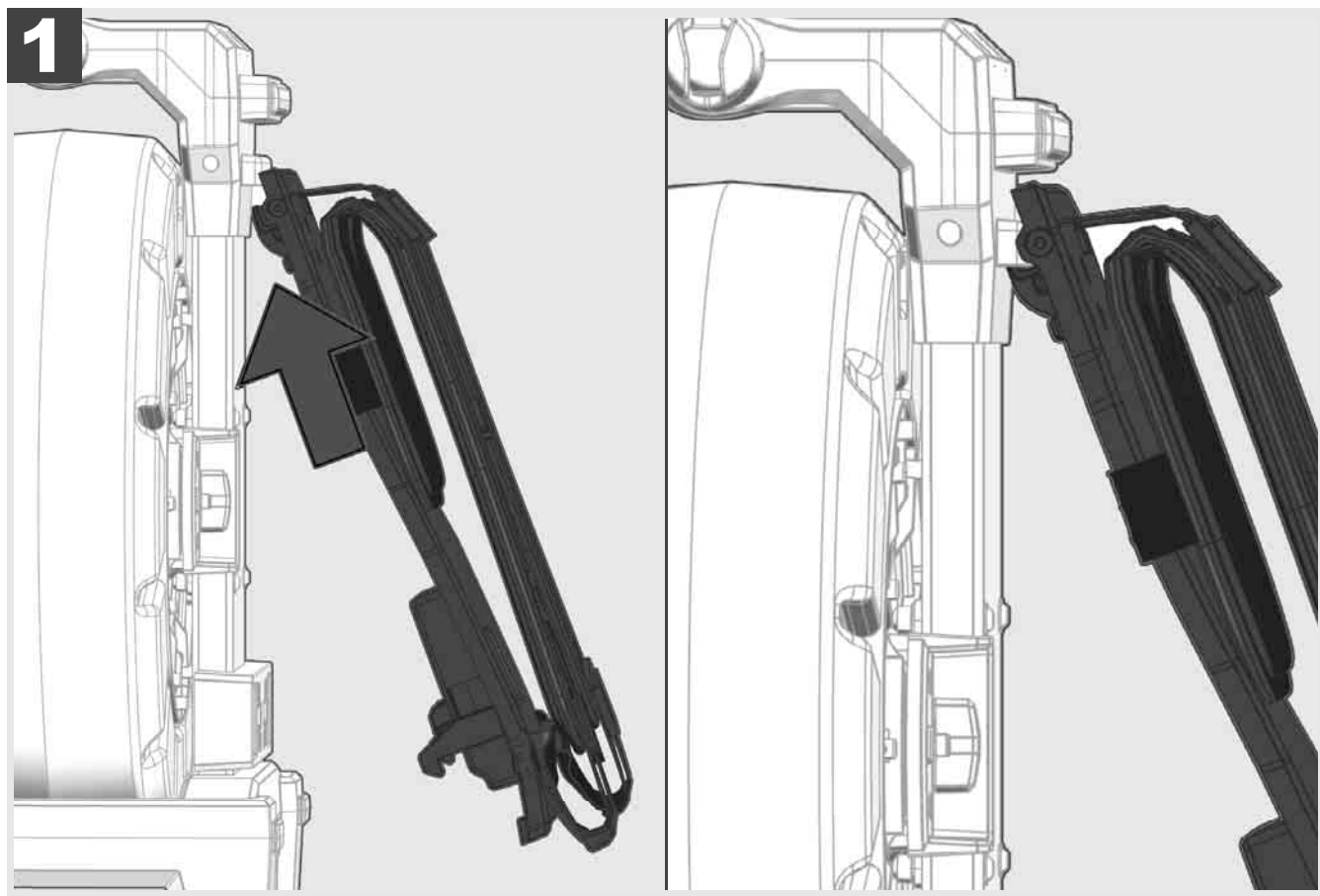
### 3.2 Prehľad bubna na inšpekciu rúr M18 SIC60



- 1 Nastavovací podstavec pre horizontálne používanie
- 2 Vyťahovacie držadlo (v zasunutej polohe)
- 3 Tlačidlo na zablokovanie a uvoľnenie vyťahovacieho držadla
- 4 Bezdrôtový monitor M18 SIM – Držiak/držiak tabletu a prípojka
- 5 Bezdrôtový monitor M18 SIM – Otočná poistka
- 6 Bezdrôtový monitor M18 SIM – Sklopná poistka
- 7 Držadlo
- 8 Káblový bubon so zasúvacím káblom
- 9 Nastavovací podstavec pre vertikálne používanie
- 10 Kolesá
- 11 Brzda káblového bubna

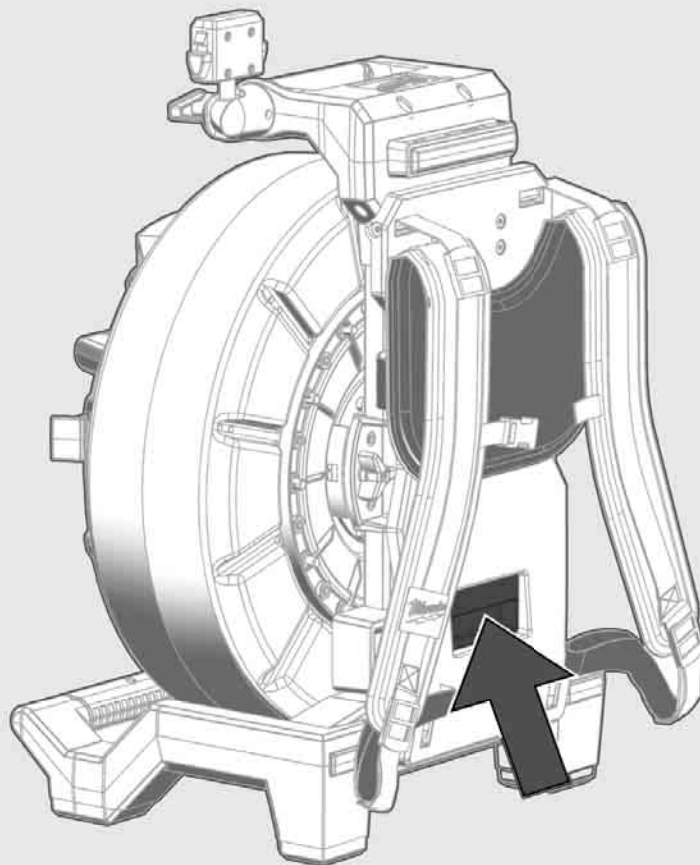
### 3.3 Inštalácia zariadenia na prenášanie

BUBON NA INŠPEKCIU RÚR M18 SIC36 je vybavený zariadením na prenášanie, pomocou ktorého sa môže bubon nosiť na chrbte ako ruksak. Tým sa dá malý bubon pohodlne prepraviť na miesto nasadenia, čo je praktické predovšetkým pri chôdzi do schodov alebo pri použití rebríkov.

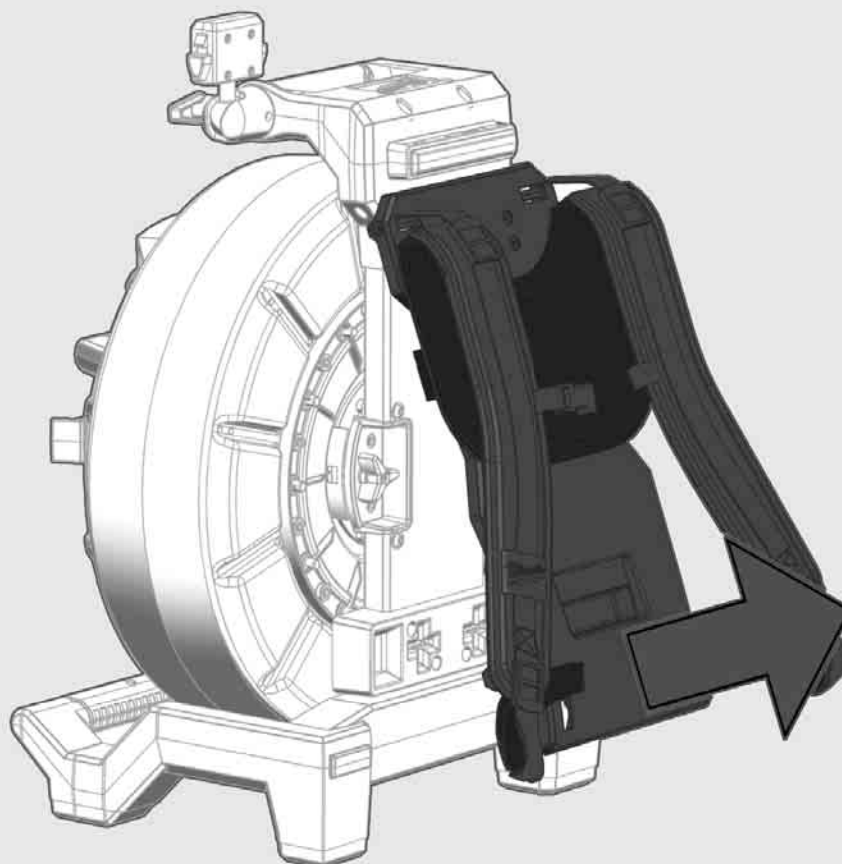


Zariadenie na prenášanie zaveste hore a zatlačte dlaňami proti spodnej strane, až zariadenie na prenášanie zaskočí. Krátko potiahnite za zariadenie na prenášanie, aby ste sa uistili, že je zaskočené.

**1**



**2**

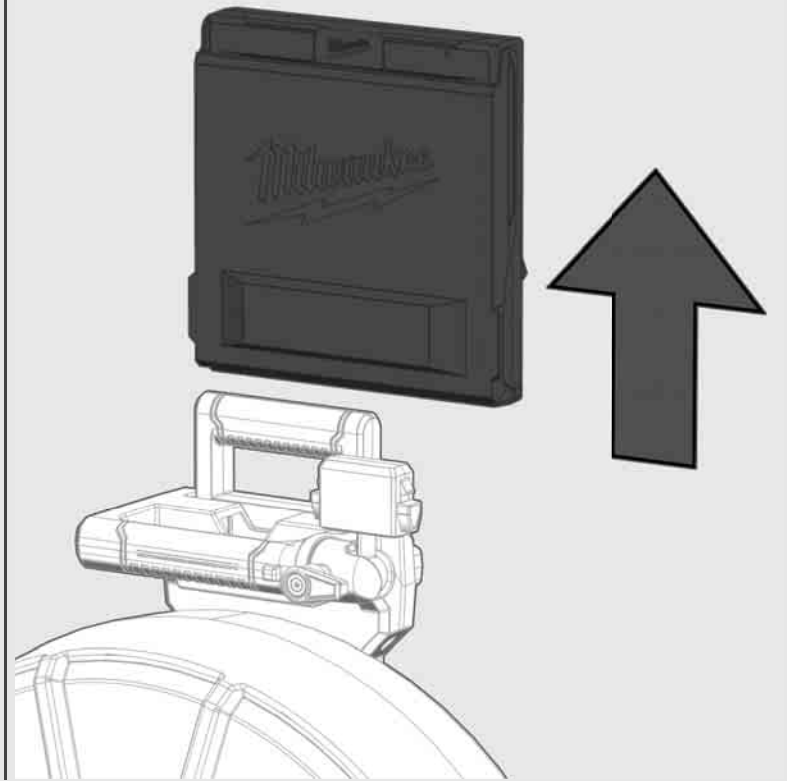
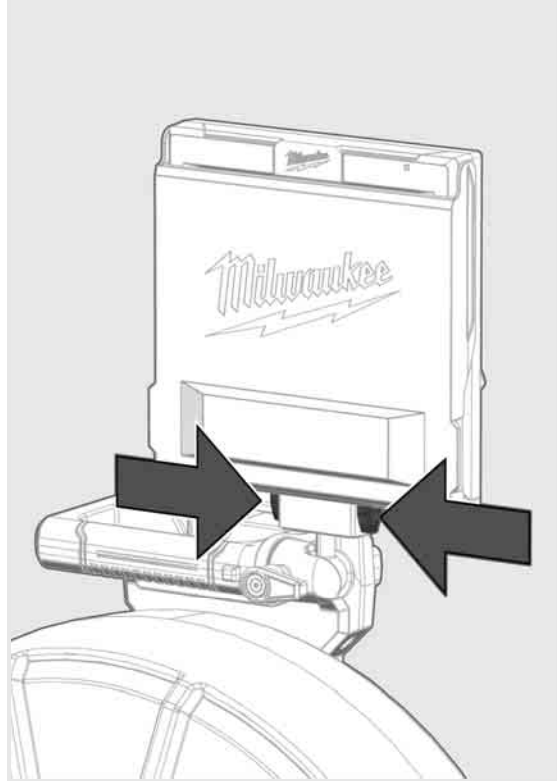


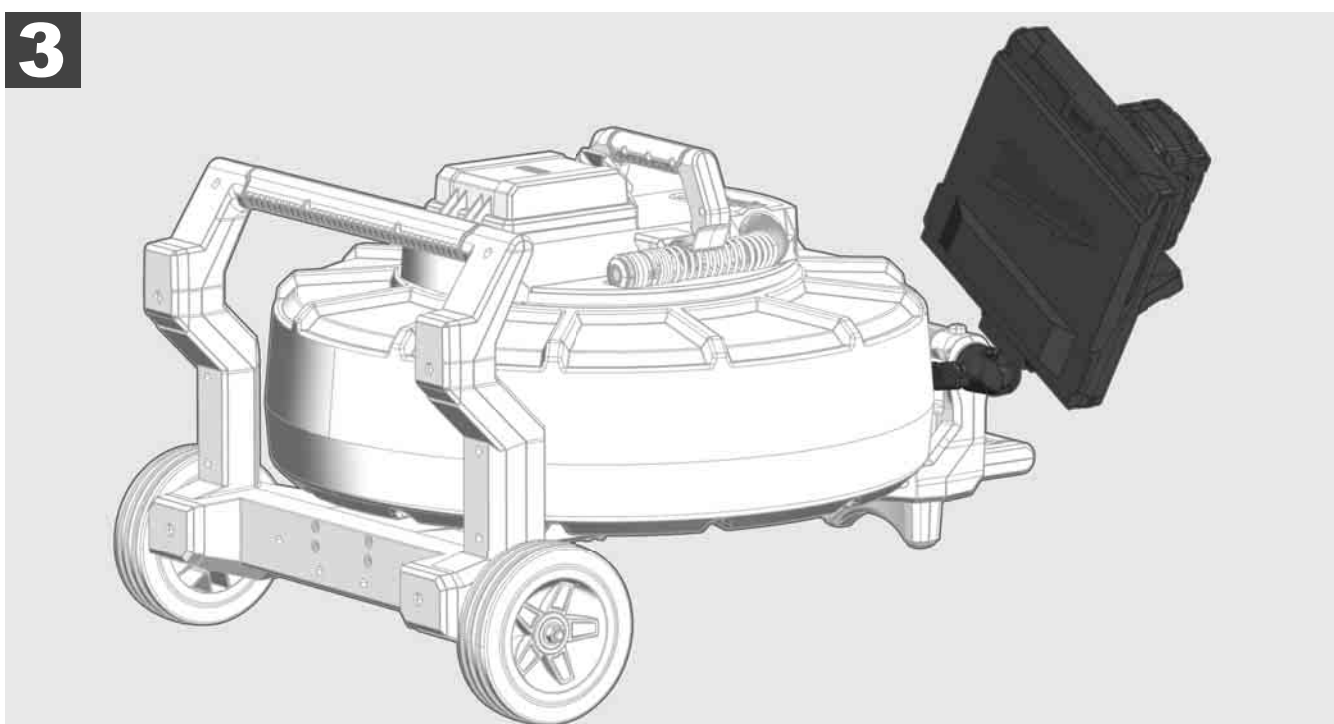
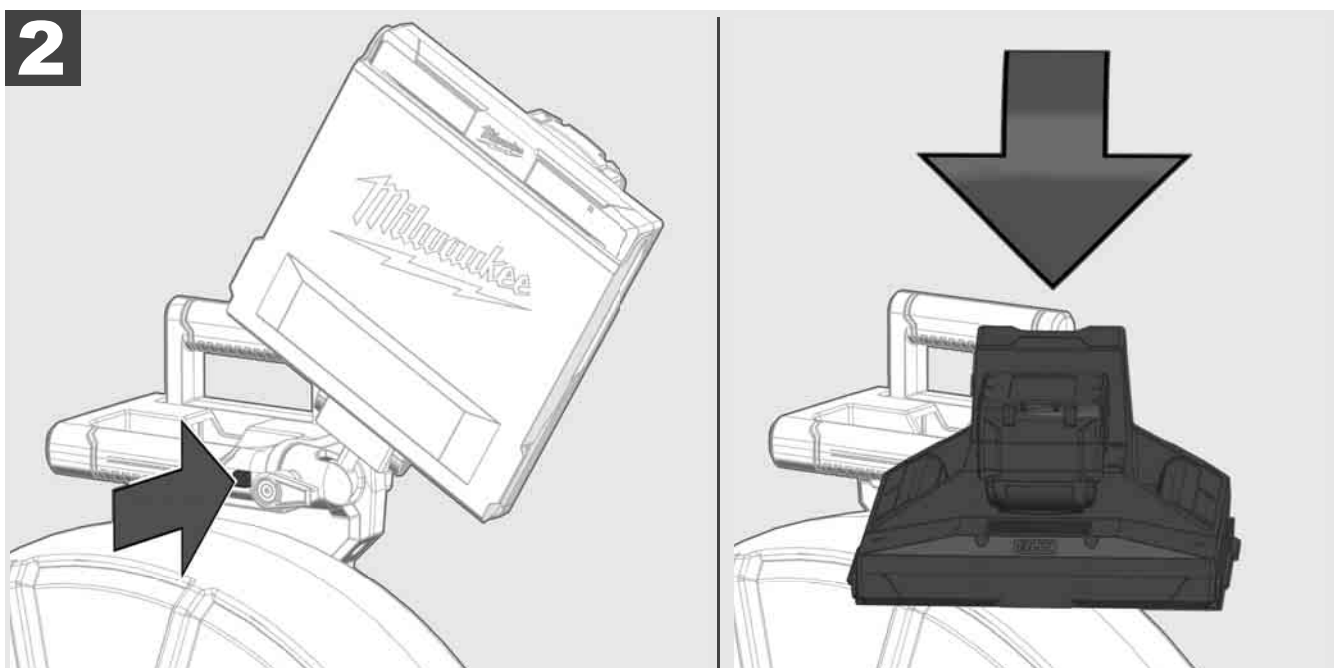
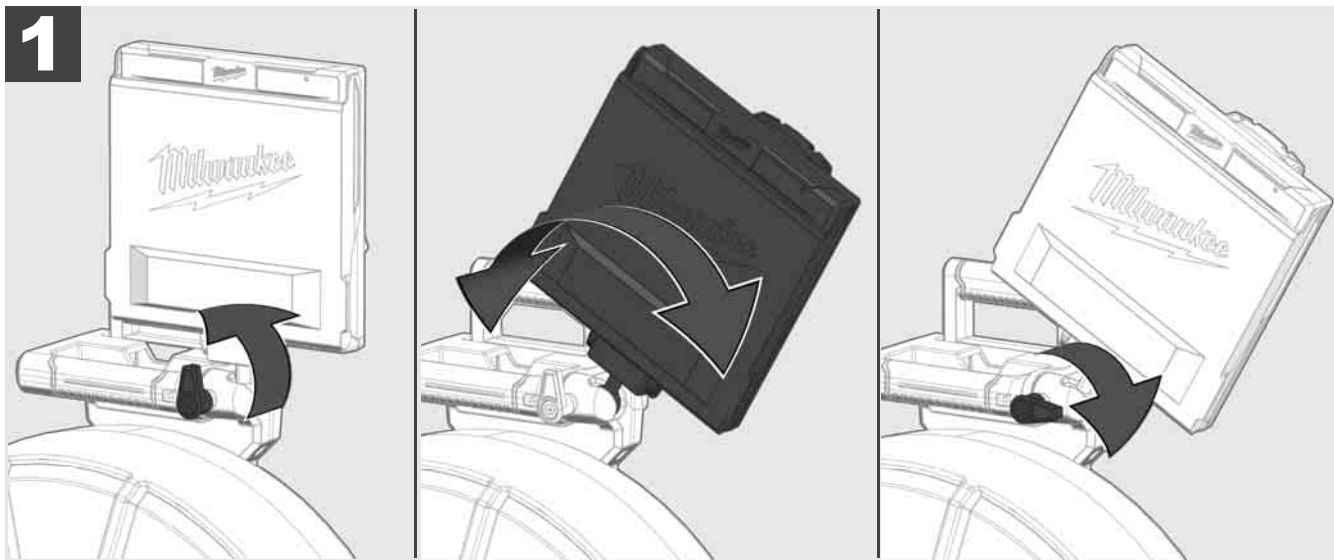


**1**



**2**





### 3.7 Používanie bubna na inšpekciu rúr



Kontrola zasúvacieho kábla vzhľadom na stopy opotrebenia – Pri navíjaní skontrolujte kábel vzhľadom na zárezy, zalomenia a oder. Keď je opláštenie tak silno opotrebované, že je vidieť žlté alebo biele kevlarové pletivo, musí sa zasúvací kábel vymeniť. Pri použití zasúvacieho kábla s poškodeným opláštením môže vniknúť voda a vlhkosť, čo môže ovplyvniť kvalitu kamerových záznamov alebo viesť k výpadku kamery.

Nasledujúci obrázok ukazuje príklady pre silne poškodené opláštenia. Takéto zasúvacie káble sa musia vymeniť tak rýchlo, ako je to možné.

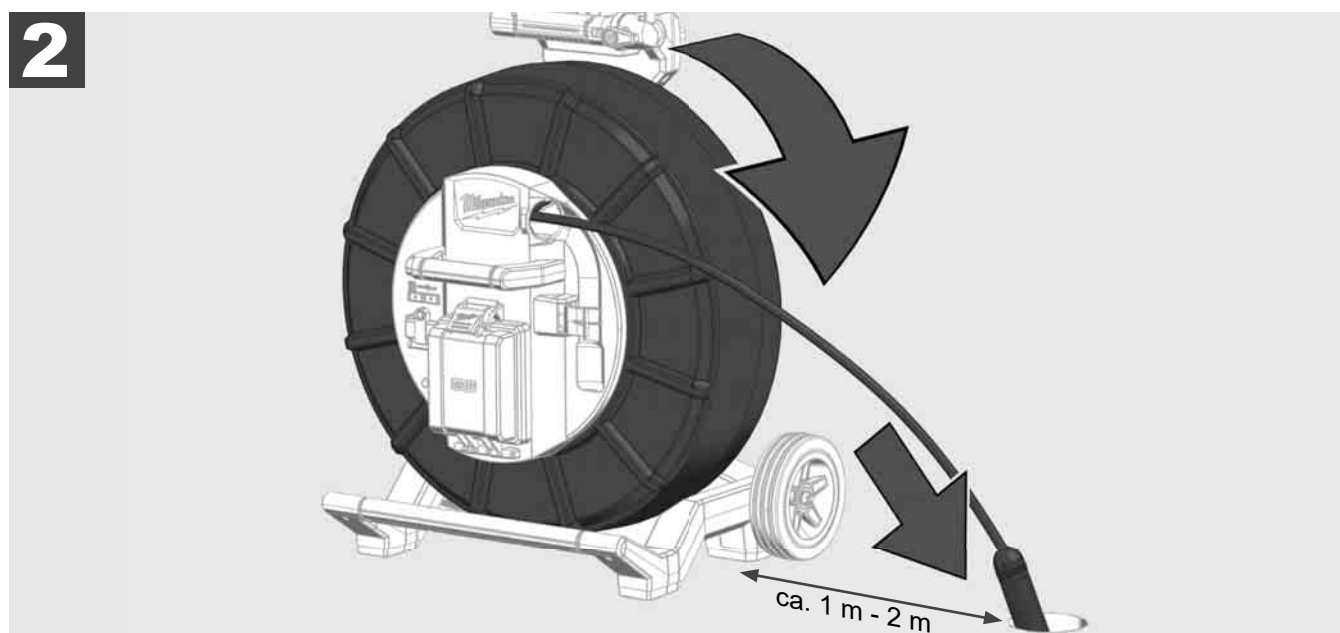
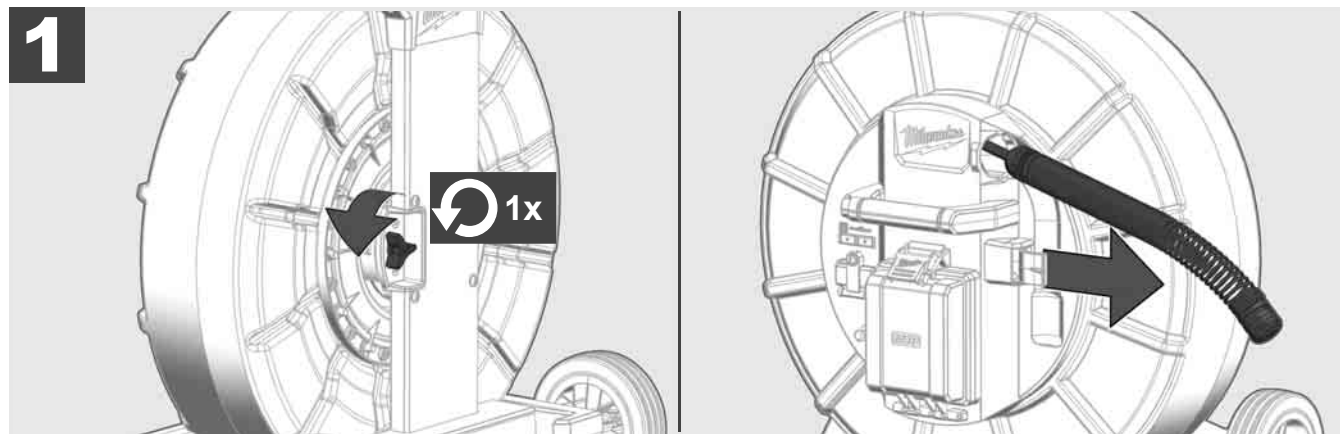


Zasúvací kábel a konštrukčnú skupinu pružín udržiavajte vždy v suchu a čistote – Kábel pri navíjaní vyčistite vždy čistou, suchou utierkou. Na konci pracovného dňa hlavu kamery a pružiny zbavte opatrne zvyškov špiny pod tečúcou vodou. Vytraste do sucha alebo nadbytočnú vodu vyfúknite dosucha nízkotlakovým vzduchom a diely následne vysušte. Hlavu kamery, zasúvací kábel a pripojovacie časti sú pri dennom nasadení vystavené agresívnym chemikáliám. Starostlivé čistenie predlžuje životnosť týchto dielov.

So zasúvacím káblom manipulujte starostlivo – Zasúvací kábel nevyťahujte zo zaaretovaného bubna. V opačnom prípade sa kábel v bubne stlačí a bude nadmerne namáhaný. Spätné zasunutie zasúvacieho kábla do zaaretovaného bubna naproti tomu môže kotúč dostať do preklopenia a môže zalomiť kábel.

Bubon inštalujte približne vo vzdialenosti 1 až 2 metre od miesta vstupu na rovnom podklade. Takto zostane dostatok miesta na manipuláciu s káblom bez toho, aby sa káblové slučky ťahali po zemi. Prípadne aktivujte treciu brzdú, aby ste spomallili pohyb zasúvacieho kábla.

Keď sa bubon používa v horizontálnej polohe, plocha medzi nohami sa zväčší. To bubnu prepožičia stabilnejšie postavenie na nerovnom podklade a zníži jeho výšku, čo je pri zúžených priestorových pomeroch výhodou.





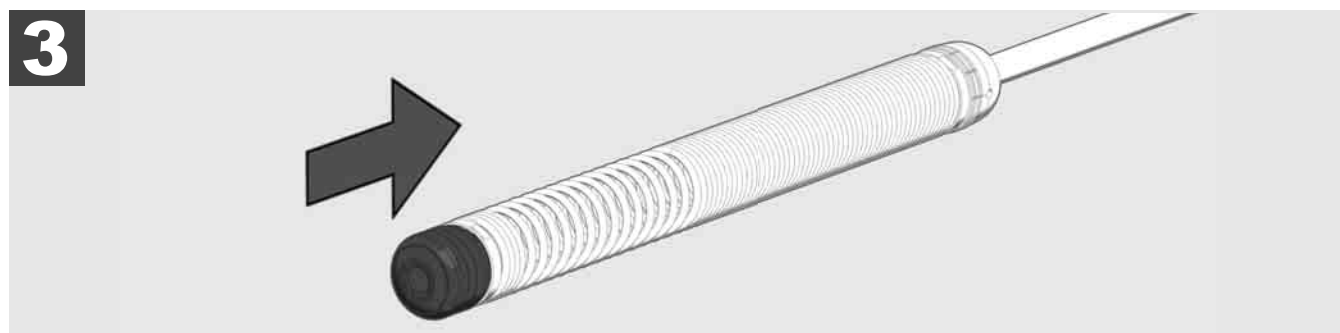
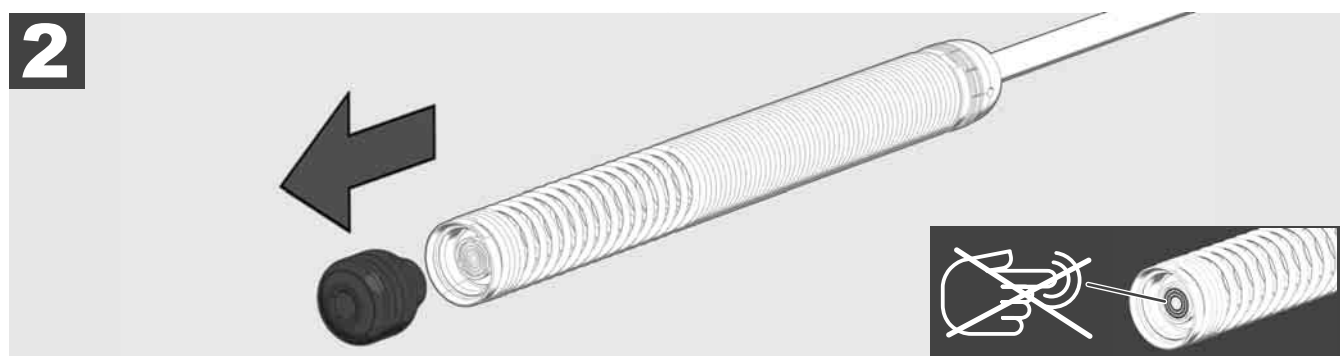
### 3.8 Konštrukčná skupina hlavy kamery



Zelenú dosku plošných spojov, resp. zlaté kontakty na konštrukčnej skupine pružín, ako aj hlavu kamery podľa možnosti nechytajte holými rukami. V opačnom prípade sa na tieto komponenty prenesie tuková vrstva z prstov, čo môže viesť k predčasnej korózii. Podľa možnosti noste čisté a suché gumené rukavice.

Hlavu kamery pred vybratím utrite dosucha a odstráňte zvyšky špiny, ktoré by mohli spadnúť do oblasti pripojenia kamery.

Pevne neuťahujte a nepoužívajte nadmernú silu!



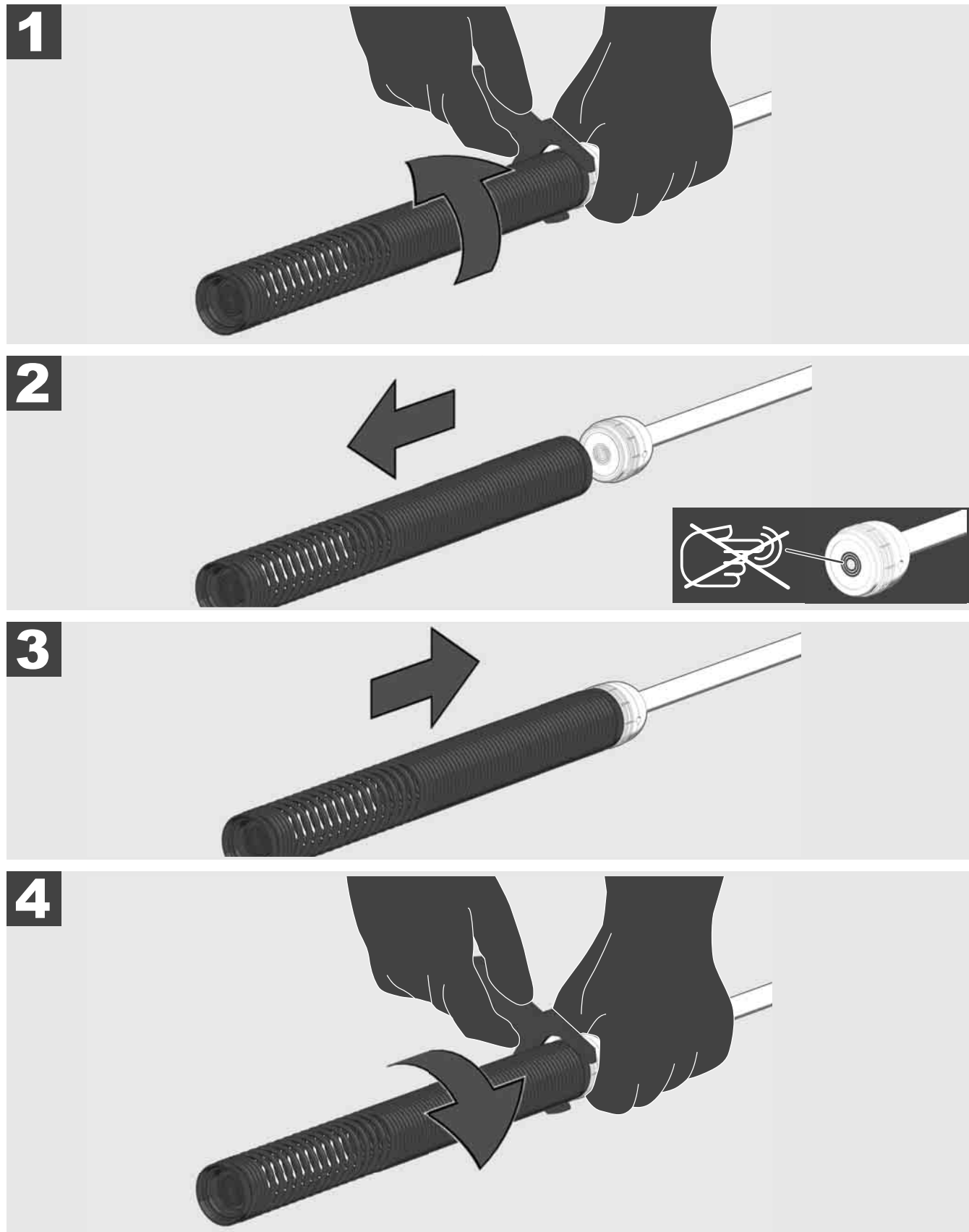
### 3.9 Konštrukčná skupina pružín



Zelenú dosku plošných spojov, resp. zlaté kontakty na konštrukčnej skupine pružín, ako aj hlavu kamery podľa možnosti nechytajte holými rukami. V opačnom prípade sa na tieto komponenty prenesie tuková vrstva z prstov, čo môže viesť k predčasnej korózii. Podľa možnosti noste čisté a suché gumené rukavice.

Hlavu kamery pred vybratím utrite dosucha a odstráňte zvyšky špiny, ktoré by mohli spadnúť do oblasti pripojenia kamery.

Pevne neuťahujte a nepoužívajte nadmernú silu!



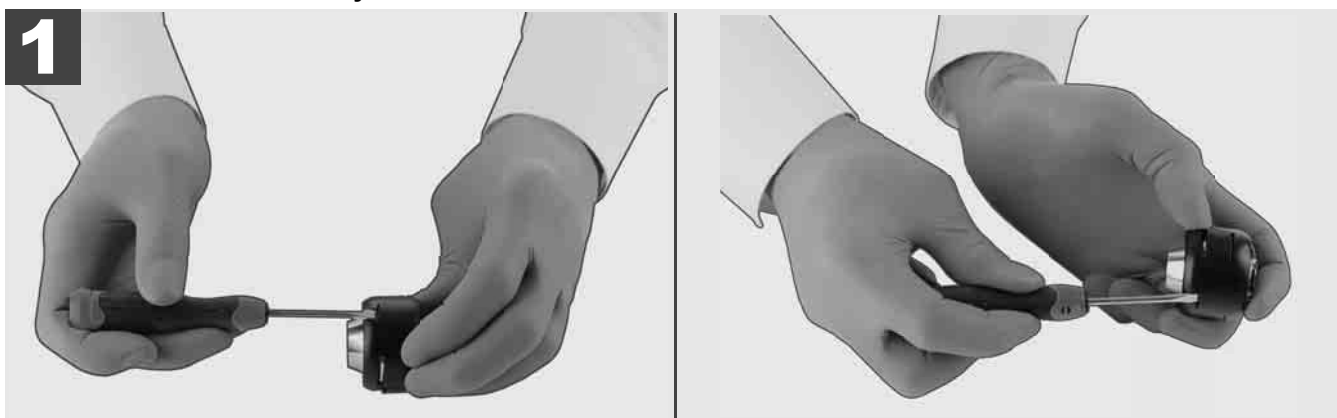
### 3.10 Ochranný kryt kamery

Ochranné kryty – Vhodné pre hlavy kamery s priemerom 25 mm, resp. 34 mm. Tieto ochranné kryty sa dodávajú so všetkými BUBNAMI NA INŠPEKCIU RÚR alebo náhradnými hlavami kamery.

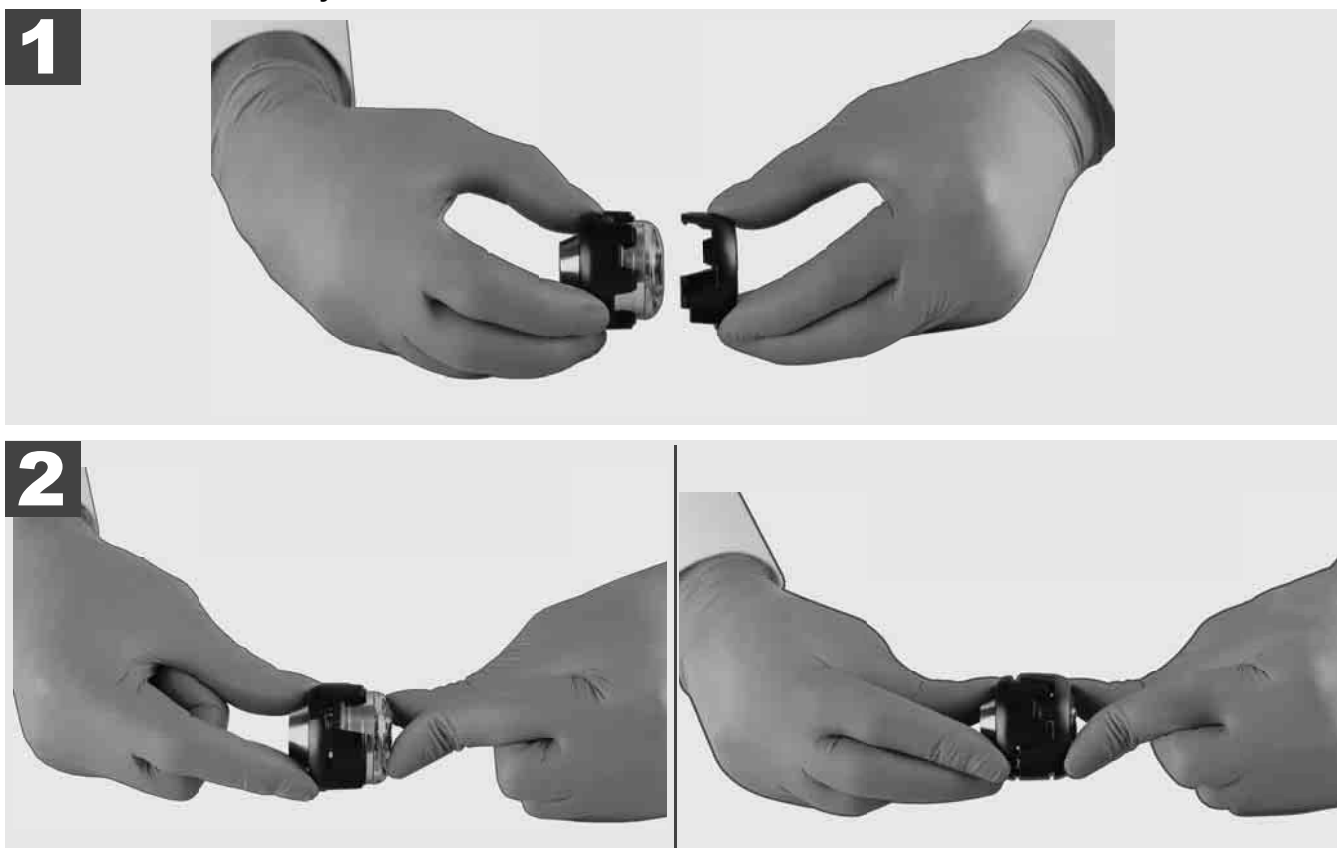
Vedenia – Budú nasadené na konštrukčnú skupinu pružín, aby hlava kamery prechádzala pozdĺž nad dnom a aby sa nedostala do kontaktu s rúrou.



#### Odstránenie ochranného krytu



#### Inštalácia ochranného krytu



### 3.11 Vedenia kamery



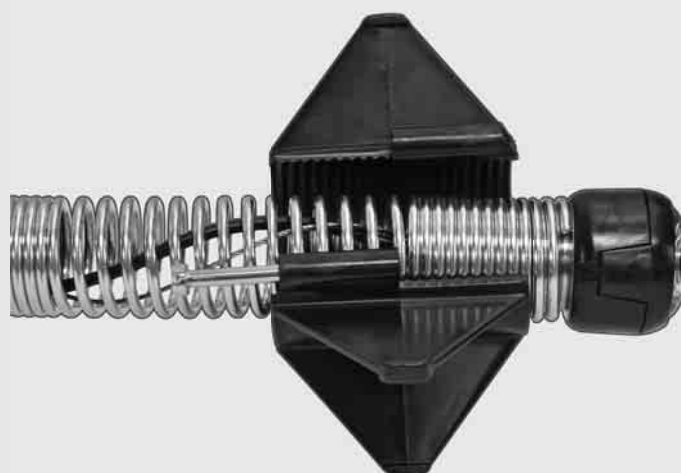
Pre hlavy kamery šírky 25 mm, resp. 34 mm sú k dispozícii vždy dve vedenia: Malé vyhotovenie so 75 mm a stredné vyhotovenie so 100 mm.

Vedenie kamery 25 mm

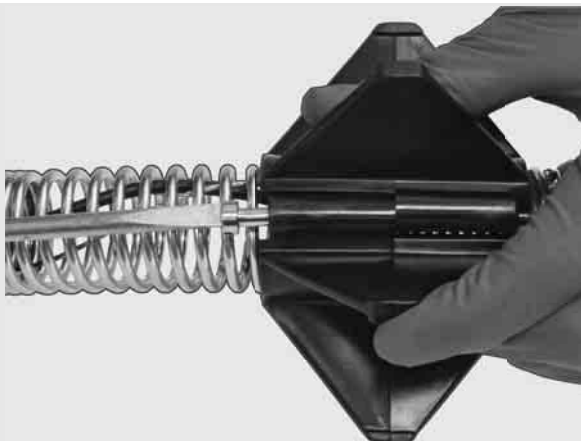
Vedenie kamery 34 mm



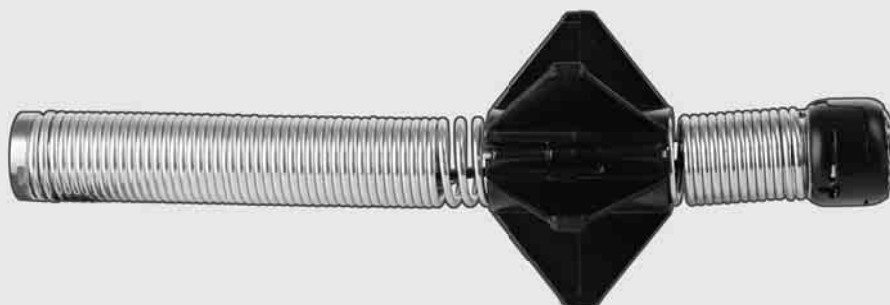
**1**



**2**



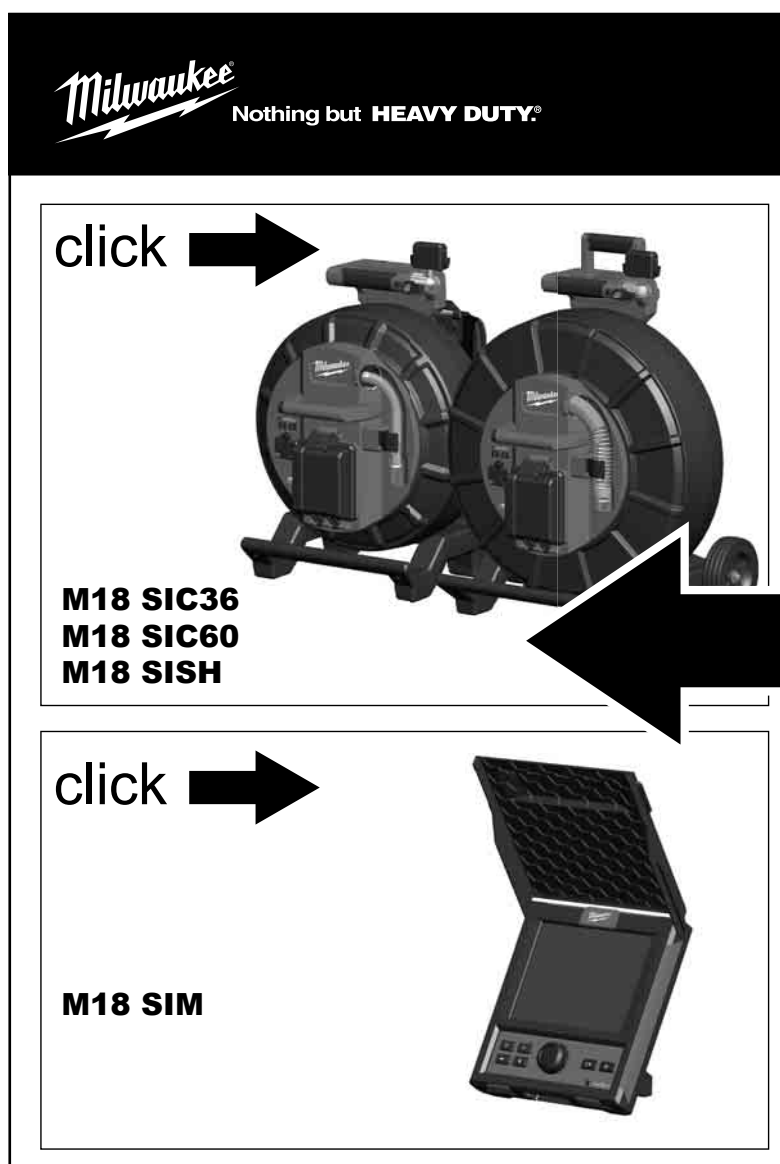
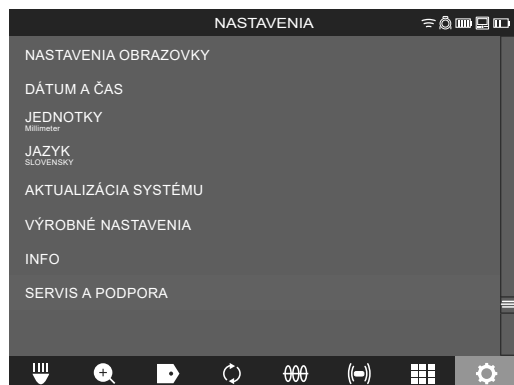
**3**



### 3.12 Servis a podpora

V prípade, že sa musí váš SYSTÉM NA INŠPEKCIU RÚR opraviť, pod SERVIS A PODPORA sa dostanete na stránku servisu náradia Milwaukee so všetkými dôležitými telefónnymi číslami.

Zvoľte **NASTAVENIA**  → **SERVIS A PODPORA**



1	Wskazówki ogólne .....	2
1.1	Specjalne przepisy bezpieczeństwa dotyczące systemów inspekcji rur .....	2
1.2	Dodatkowe wskazówki bezpieczeństwa i instrukcje robocze .....	2
1.3	Dane techniczne .....	3
1.4	Warunki użytkowania .....	3
1.5	Wymagania wobec częstotliwości radiowych w oparciu o instalacje europejskie.....	3
1.6	Deklaracja zgodności WE .....	4
1.7	ONE-KEY™ .....	4
1.8	Baterie akumulatorowe .....	4
1.9	Transport akumulatorów litowo-jonowych .....	4
1.10	Utrzymanie i konserwacja .....	5
1.11	Symbole .....	5
2	Smart Hub M18 SISH .....	6
2.1	Omówienie Smart Hub M18 SISH.....	6
2.2	Wkładanie i wyjmowanie baterii .....	7
2.3	Sprawdzanie poziomu naładowania baterii.....	8
2.4	Instalacja Smart Hub M18 SISH .....	9
2.5	Wyjmowanie Smart Hub M18 SISH .....	10
2.6	Przycisk włączania/wyłączania .....	11
2.7	Podłączanie monitora .....	12
2.8	Porty USB .....	13
2.9	Pręt uziemiający .....	14
2.10	Resetowanie licznika długości .....	15
2.11	Złącze testowe kamery .....	16
2.12	Formatowanie dysku wewnętrznego oraz napędu USB .....	17
2.13	Ustawienia fabryczne .....	18
2.14	Aktualizacja systemu.....	19
3	BĘBNI INSPEKCYJNE RUR .....	21
3.1	Bęben inspekcyjny rur M18 SIC36.....	21
3.2	Bęben inspekcyjny rur M18 SIC60.....	22
3.3	Instalacja mocowania do przenoszenia .....	23
3.4	Zdejmowanie mocowania do przenoszenia .....	24
3.5	Instalacja monitora bezprzewodowego M18 SIM .....	25
3.6	Ustawienie monitora bezprzewodowego M18 SIM .....	26
3.7	Użytkowanie bębna inspekcyjnego rur .....	27
3.8	Zespół głowicy kamery .....	28
3.9	Zespół sprężyny .....	29
3.10	Osłona ochronna kamery .....	30
3.11	Prowadnice kamery .....	31
3.12	Serwis i pomoc.....	32

## 1.1 Specjalne przepisy bezpieczeństwa dotyczące systemów inspekcji rur

Przy robotach w rurach zwracać uwagę na to, żeby nie były one pod napięciem ani naładowane elektrycznie. Rury nie mogą zawierać żadnej cieczy. Kamera i urządzenie nie mogą zetknąć się z cieczą.

Kamera ani kabel nie mogą zetknąć się z olejem, gazem ani innymi materiałami wywołującymi korozję.

Aby zredukować ryzyko wybuchu, porażenia elektrycznego i szkód materialnych, przed rozpoczęciem wszelkich prac należy zawsze sprawdzać obszar roboczy. Nie wolno dopuścić do kontaktu przewodu z podzespołami elektrycznymi, chemikaliami ani ruchomymi częściami.

Aby zredukować ryzyko uszkodzeń przy urządzeniu, nie wolno stosować nadmiernej siły ani zaginać przewodu. Nie stosować kamery inspekcyjnej ani przewodu w obszarach, gdzie może dojść do ich kontaktu z substancjami żrącymi lub oleistymi.

Nie stosować przewodu w celu likwidacji niedrożności lub przeszkód. To nie jest urządzenie do czyszczenia rur!

Jeżeli wymagająca przeczyszczona rura odpływowa może zawierać chemikalia, bakterie lub inne substancje toksyczne względnie czynniki zakaźne, to pod zalecanymi przez producenta rękawicami ochronnymi należy używać rękawiczek lateksowych lub gumowych oraz okularów ochronnych, ochrony na twarz, ubrania ochronnego i maski filtracyjnej. Przewody rurowe mogą zawierać chemikalia, bakterie lub inne substancje, które mogą być toksyczne lub spowodować zakażenie i skaleczenia lub wywołać inne obrażenia.

Należy przestrzegać przepisów sanitarnych. Nie jeść ani nie palić podczas pracy urządzenia. Po lub przed używaniem systemu inspekcji rur umyć ręce oraz inne części ciała mające styczność z zawartością rur zawsze ciepłą wodą i mydłem. W ten sposób uniknie się zagrożenia zdrowia wynikającego z narażenia na działanie substancji toksycznych lub wywołujących infekcję.

Przed użyciem sprawdzić spiralę pod kątem śladów zużycia lub uszkodzeń. Przed zastosowaniem systemu inspekcji rur wymienić zużytą lub uszkodzoną spiralę na inną.

**ZACHOWAĆ OSTROŻNOŚĆ!** Należy zachować ostrożność podczas transportu systemu inspekcji rur za pomocą mocowania do przenoszenia na plecach. Istnieje ryzyko utraty równowagi.

Z urządzenia należy korzystać z rozważą i w sposób ostrożny. Nie sposób przewidzieć wszystkich niebezpiecznych sytuacji. Nie należy używać niniejszego urządzenia w przypadku braku zrozumienia poniższych instrukcji, bądź gdy opisane czynności wydają się zbyt trudne. Należy wówczas nawiązać kontakt z Milwaukee lub wykwalifikowanym specjalistą w celu uzyskania szczegółowych informacji bądź przyuczenia.

Nie usuwać etykietek ani tabliczek znamionowych. Tabliczki te zawierają ważne informacje. W przypadku kiedy są one nieczytelne lub ich brakuje, należy zwrócić się do serwisu klienta – MILWAUKEE w celu uzyskania ich bezpłatnej wymiany.

Niektóre pyły powstałe podczas korzystania ze szlifierek, pił i wiertarek, a także wykonywania innych prac budowlanych mogą zawierać substancje chemiczne, które są rakotwórcze, powodują uszkodzenia płodu lub zaburzenia płodności. Przykładami tego typu substancji chemicznych są:

- ołów z farb ołowiowych,
- krystaliczny dwutlenek krzemu z cegieł, cementu lub innych produktów murarskich, a także
- arsen lub chrom z drewna poddanego obróbce chemicznej.

Ryzyko narażenia zależy od częstotliwości wykonywania tego typu czynności. Aby zminimalizować ryzyko narażenia, należy zawsze pracować w dobrze wentylowanych pomieszczeniach. Nosić oficjalnie zatwierdzone środki ochrony indywidualnej, takie jak maski przeciwpyłowe z filtrem mikrocząsteczkowym.

## 1.2 Dodatkowe wskazówki bezpieczeństwa i instrukcje robocze

Nie należy wymieniać baterii, jeśli powierzchnia narzędzia jest mokra.

Zużytych baterii nie należy wrzucać do ognia ani traktować jako odpadów domowych. Milwaukee oferuje ekologiczną utylizację zużytych baterii.

Nie przechowywać baterii wraz z przedmiotami metalowymi (niebezpieczeństwo zwarcia).

Baterie systemu M18 należy ładować wyłącznie przy pomocy ładowarek systemu M18. Nie należy ładować przy pomocy tych ładowarek baterii innych systemów.

W skrajnych warunkach temperaturowych lub przy bardzo dużym obciążeniu może dochodzić do wycieku kwasu akumulatorowego z uszkodzonych baterii akumulatorowych. W przypadku kontaktu z kwasem akumulatorowym należy natychmiast przemyć miejsce kontaktu wodą z mydłem. W przypadku kontaktu z oczami należy dokładnie przepłukiwać oczy przynajmniej przez 10 minut i zwrócić się natychmiast o pomoc medyczną.

**Ostrzeżenie!** Aby uniknąć niebezpieczeństwa pożaru, obrażeń lub uszkodzeń produktu na skutek zwarcia, nie należy zanurzać narzędzia, akumulatora wymiennego ani ładowarki w cieczach i należy zatroszczyć się o to, aby do urządzeń i baterii nie przedostały się żadne ciecze. Zwarcie spowodować mogą korodujące lub przewodzące ciecze, takie jak woda morska, określone chemikalia i wybielacze lub produkty zawierające wybielacze.

Urządzenie to nie może być obsługiwane ani też czyszczone przez osoby, które posiadają ograniczone fizyczne, sensoryczne lub umysłowe zdolności wzgl. nie dysponują dostatecznym doświadczeniem, chyba że zostały one poinstruowane przez osobę prawnie odpowiedzialną za bezpieczeństwo w zakresie bezpiecznego obchodzenia się z urządzeniem. Wyżej wymienione osoby należy nadzorować podczas użytkowania urządzenia. Urządzenie to nie może dostać się do rąk dzieci. Dlatego też, gdy nie jest ono używane, należy je bezpiecznie przechowywać w miejscu niedostępnym dla dzieci.

### 1.3 Dane techniczne

	M18 SIC36	M18 SIC60	M18 SISH
Długość kabla kamery.....	36 m.....	60 m	
Głowica kamery.....	Ø 25 mm.....	Ø 34 mm	
Maks. powiększenie .....	4x .....	4x	
Napięcie baterii akumulatorowej .....			18 V
Ciężar wg procedury EPTA 01/2014 (4.0 Ah / 12 Ah) .....	12,4 kg .....	20,46 kg.....	5,37 kg
Pasma (pasma) częstotliwości Bluetooth.....			2402-2480 MHz
Moc wysokiej częstotliwości .....			1,8 dBm
Wersja Bluetooth.....			4.0 BT signal mode
Zalecana temperatura otoczenia w trakcie pracy.....	-18 ....	+50 °C	
Zalecane rodzaje baterii.....		M18B....; M18HB....	
Zalecane ładowarki .....	M12-18C, M12-18AC, M12-18FC, M1418C6		

### 1.4 Warunki użytkowania

System inspekcji rur służy do obserwacji i inspekcji przewodów rurowych. System składa się z trzech modułów:

#### - Bęben inspekcyjny do rur M18 SIC36 lub M18 SIC60

Bęben inspekcyjny do rur służy do nawijania, rozwijania i sterowania wsuwanym przewodem. Bębny dostępne są w dwóch rozmiarach: M18SIC36 dla rur o średnicy od 50 mm do 150 mm, natomiast większy model M18SIC60 – dla rur o średnicy od 75 mm do 250 mm.

Oba bębny wyposażone są we wsuwany przewód z zespołem sprężyn, na którym zamontowana jest głowica kamery samopoziomującej. Monitor bezprzewodowy M18 SIM oraz Smart Hub M18 SISH można stosować z obydwojema bębnami.

Oba bębny mogą być stosowane zarówno w pionie, jak i w poziomie. Z tyłu M18 SIC36 można przywiesić mocowanie do przenoszenia urządzenia na plecach.

#### - Smart Hub M18 SISH

Smart Hub M18 SISH służy do sterowania systemem inspekcji rur.

Monitor bezprzewodowy M18 SIM lub tablet, na którym zainstalowana jest aplikacja Milwaukee® Pipe Inspection, łączy się z Smart Hub M18 SISH w celu odbioru filmów i zdjęć. Zarówno filmy, jak i zdjęcia zapisywane są na wewnętrznym dysku Smart Hub M18 SISH.

#### - Monitor bezprzewodowy M18 SIM (nie wchodzi w skład zestawu; można nabyć oddzielnie)

Monitor bezprzewodowy M18 SIM umożliwi oglądanie filmów nagranych przez głowicę aparatu, nagrywanie filmów, robienie zdjęć oraz odtwarzanie plików wideo i oglądanie zdjęć. Podczas nagrywania filmów można rejestrować komentarze, wypowiadając je do wewnętrznego mikrofonu. Teksty komentarzy można również dodawać poprzez funkcję „Etykiety”. Teksty komentarzy widoczne są na nagrany filmie w tle i pojawiają się również na zdjęciach wraz z datą, godziną i informacją o długości rozwiniętego przewodu.

Produkt można użytkować wyłącznie zgodnie z jego normalnym przeznaczeniem.

### 1.5 Wymagania wobec częstotliwości radiowych w oparciu o instalacje europejskie

Wskazówka: Niniejsze urządzenie zostało zbadane i uznane za zgodne z wartościami granicznymi dla odbiornika kategorii 3 zgodnie z normą EN 300 440 V2.1.1.

Owe wartości graniczne mają na celu zapewnienie odpowiedniej ochrony przed szkodliwymi zakłóceniami w budynkach mieszkalnych.

To urządzenie reaguje na inne urządzenia emitujące fale radiowe w zakresie częstotliwości od 2402 do 2480 MHz. Może to stanowić przyczynę zakłóceń w trakcie korzystania z pilota zdalnego sterowania. Nie można wykluczyć, że w określonych okolicznościach mogą wystąpić zakłócenia. Aby ustalić, czy to urządzenie podatne jest na zakłócenia na skutek sygnałów radiowych emitowanych przez inne urządzenia, należy tymczasowo wyłączyć pozostałe urządzenia i sprawdzić, czy zakłócenia zniknęły. Podjęcie poniższych działań może pomóc w rozwiązaniu zakłóceń:



- Wyłączyć źródło zakłóceń.
- Zwiększyć odległość do źródła zakłóceń.
- Skontaktować się ze sprzedawcą lub wykwalifikowanym technikiem radiowym.

## 1.6 Deklaracja zgodności WE

Techtronic Industries GmbH niniejszym oświadcza, że typ urządzenia radiowego M18SISH jest zgodny z dyrektywą 2014/53/UE. Pełny tekst deklaracji zgodności UE jest dostępny pod następującym adresem internetowym: <http://services.milwaukeeetool.eu>

## 1.7 ONE-KEY™

Aby uzyskać więcej informacji o funkcjonalności ONE-KEY tego urządzenia, należy przeczytać załączoną instrukcję szybkiego uruchomienia lub wejść na stronę internetową [www.milwaukeeetool.com/one-key](http://www.milwaukeeetool.com/one-key). Aplikację ONE-KEY można pobrać na swój smartfon za pośrednictwem App Store lub Google Play.

W przypadku wyładowań elektrostatycznych połączenie Bluetooth zostanie przerwane. Należy wtedy ręcznie przywrócić połączenie.

Urządzenie spełnia minimalne wymagania zgodnie z normami EN 55014-2:2015 / EN 301489-1 V2.2.3 / EN 301489-17 V3.1.1.

### Wyświetlacz ONE-KEY™

Świeci się na niebiesko: Zdalne sterowanie jest aktywne i może zostać włączone za pomocą aplikacji ONE-KEY™.

Miga na niebiesko: urządzenie komunikuje się z aplikacją ONE-KEY™.

Miga na czerwono: urządzenie zostało zablokowane ze względów bezpieczeństwa i może zostać odblokowane przez operatora za pomocą aplikacji ONE-KEY™.

## 1.8 Baterie akumulatorowe

Akumulatory, które nie były przez dłuższy czas użytkowane, należy przed użyciem naładować.

W temperaturze powyżej 50°C następuje spadek osiągniętych pojemności akumulatorowej. Unikać długotrwałego wystawienia na oddziaływanie ciepła lub promieni słonecznych (niebezpieczeństwo przegrzania).

Styki ładowarek i baterii należy utrzymywać w czystości

Dla zapewnienia optymalnej żywotności baterie po użyciu należy naładować do pełnej pojemności.

Dla zapewnienia możliwie długiej żywotności baterie należy wyjąć z ładowarki po ich naładowaniu.

W przypadku składowania baterii dłużej niż 30 dni:

Przechowywać je w suchym miejscu w temperaturze poniżej 27°C.

Przechowywać je w stanie naładowanym do ok. 30%–50%.

Ładować je ponownie co 6 miesięcy.

## 1.9 Transport akumulatorów litowo-jonowych

Akumulatory litowo-jonowe podlegają ustawowym przepisom dotyczącym transportu towarów niebezpiecznych.

Transport tych akumulatorów winien odbywać się przy przestrzeganiu lokalnych, krajowych i międzynarodowych rozporządzeń i przepisów.

- Odbiorcom nie wolno transportować tych akumulatorów po drogach ot tak po prostu.
- Komercyjny transport akumulatorów litowo-jonowych przez przedsiębiorstwa spedycyjne podlega przepisom dotyczącym transportu towarów niebezpiecznych. Przygotowania do wysyłki oraz transport mogą być wykonywane wyłącznie przez odpowiednio przeszkolone osoby. Cały proces winien odbywać się pod fachowym nadzorem.

W czasie transportu akumulatorów należy przestrzegać następujących punktów:

- Celem uniknięcia zwarcia należy upewnić się, że zestyki są zabezpieczone i zaizolowane.
- Zwracać uwagę na to, aby bateria nie mogła się przemieszczać we wnętrzu opakowania.
- Nie wolno transportować akumulatorów uszkodzonych lub z wyciekającym z elektrolitem.

Odnosnie dalszych wskazówek należy zwrócić się do swojego przedsiębiorstwa spedycyjnego.

## 1.10 Utrzymanie i konserwacja

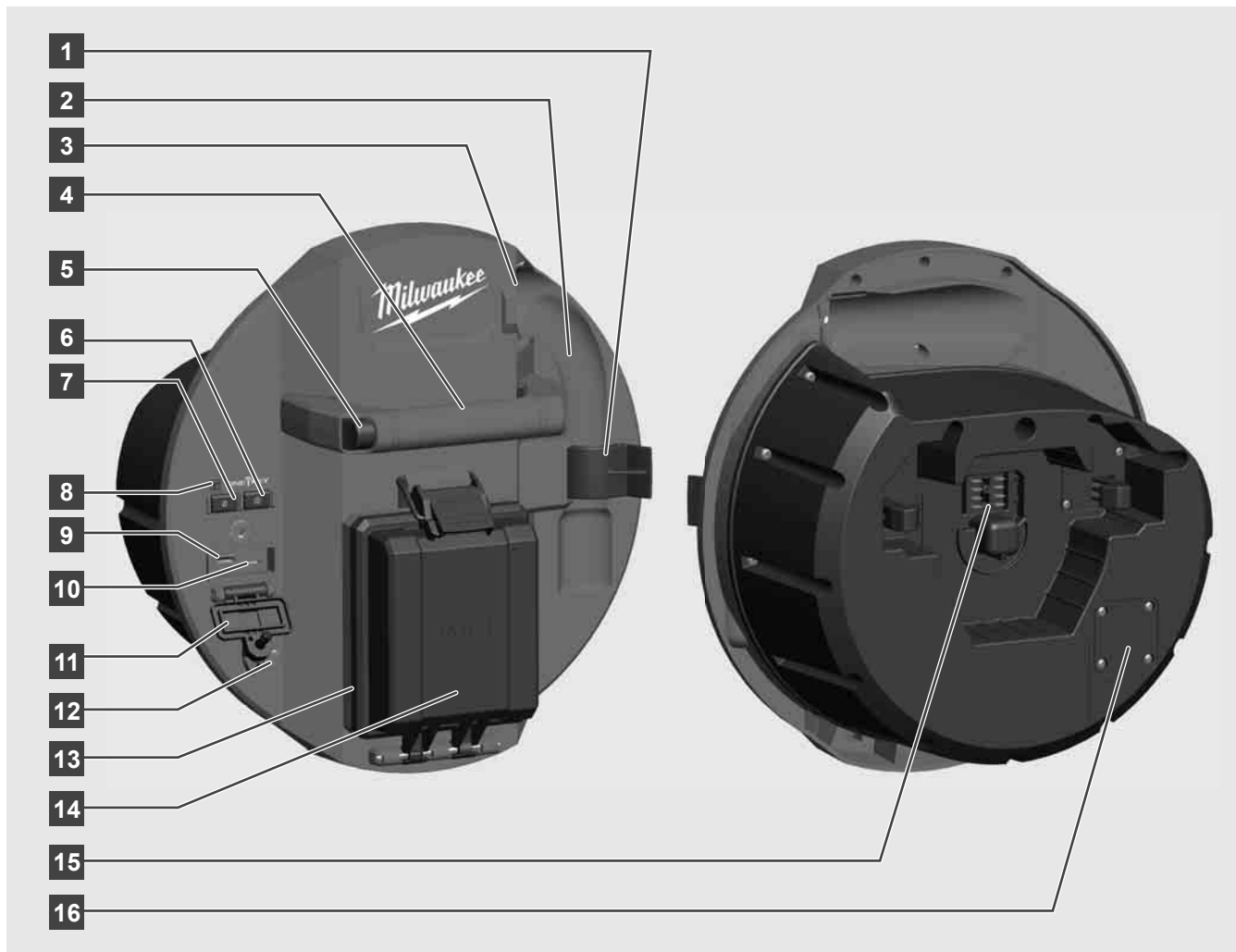
Należy stosować wyłącznie wyposażenie dodatkowe i części zamienne Milwaukee. W przypadku konieczności wymiany części, dla których nie podano opisu, należy skontaktować się z przedstawicielami serwisu Milwaukee (patrz lista punktów obsługi gwarancyjnej/serwisowej).

W razie potrzeby można zamówić rysunek urządzenia w rozłożeniu na części, podając typ urządzenia oraz sześciopozycyjny numer na tabliczce znamionowej w Punkcie Obsługi Klienta lub bezpośrednio w firmie Techtronic Industries GmbH, Max-Eyth-Straße 10, 71364 Winnende, Niemcy

## 1.11 Symbole

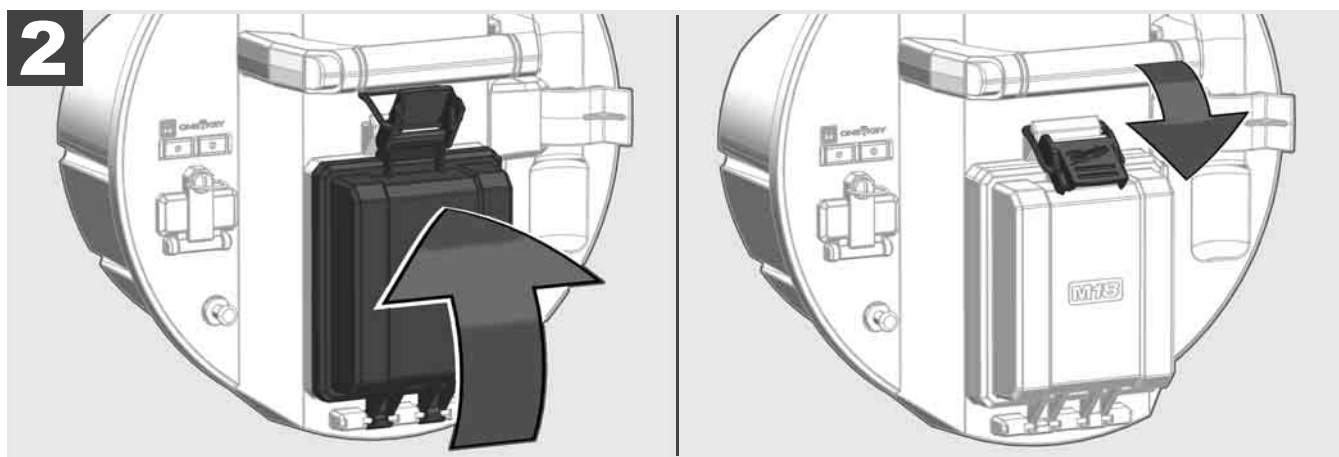
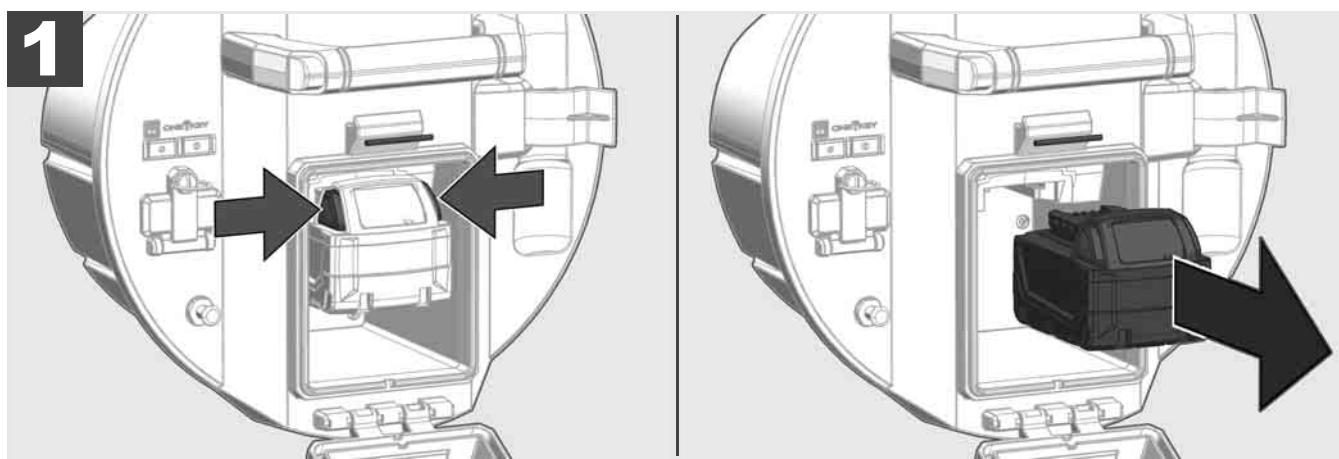
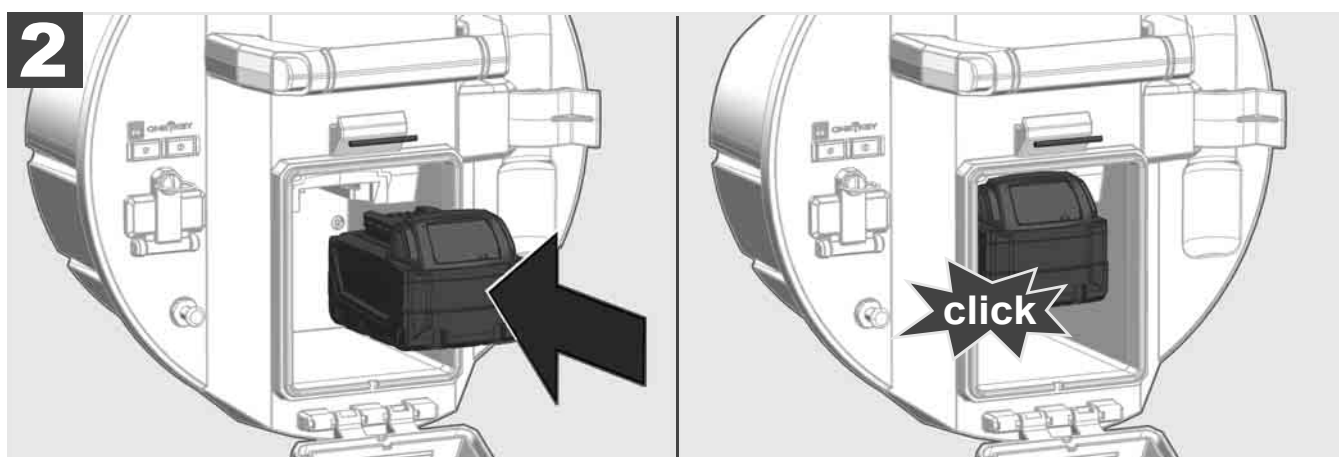
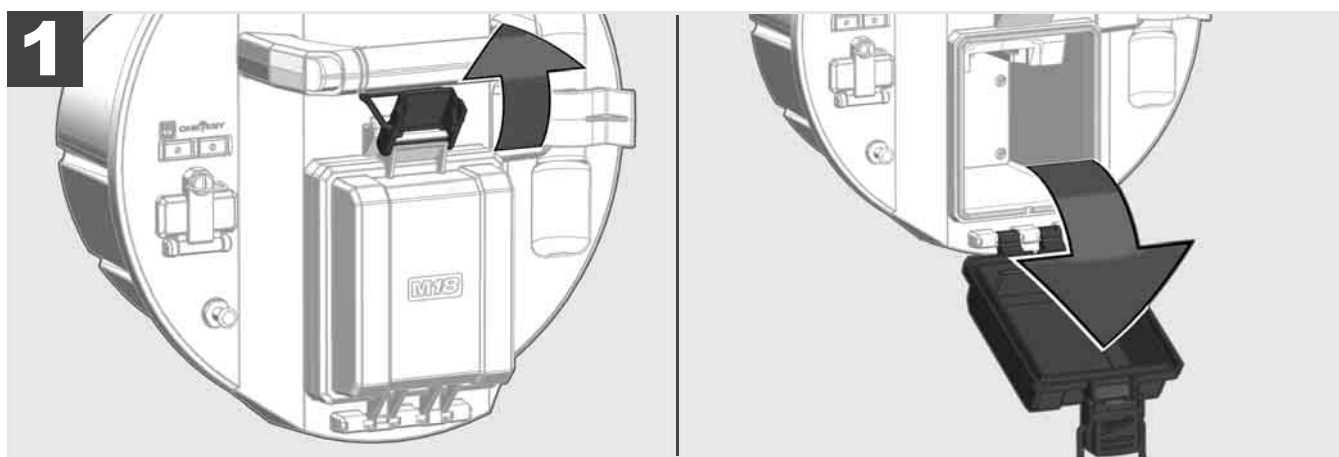
	UWAGA! OSTRZEŻENIE NIEBEZPIECZEŃSTWO!
	Przed przystąpieniem do jakichkolwiek prac należy wyjąć baterię z urządzenia.
	Przed uruchomieniem elektronarzędzia zapoznać się uważnie z treścią instrukcji.
	Nosić rękawice ochronne!
	Podczas pracy przy urządzeniu należy zawsze nosić okulary ochronne.
	Urządzenia elektryczne, baterie/akumulatory nie mogą być usuwane razem z odpadami pochodzącymi z gospodarstw domowych. Urządzenia elektryczne i akumulatory należy gromadzić oddzielnie i w celu usuwania ich do odpadów zgodnie z wymaganiami środowiska naturalnego oddawać do przedsiębiorstwa utylizacyjnego. Proszę zasięgnąć informacji o centrach recyklingowych i punktach zbiorczych u władz lokalnych lub u wyspecjalizowanego dostawcy.
	Napięcie
	Prąd stały
	Europejski Certyfikat Zgodności
	Brytyjski znak potwierdzający zgodność
	Ukraiński Certyfikat Zgodności
	Euroazjatycki Certyfikat Zgodności

### 2.1 Omówienie Smart Hub M18 SISH



- 1 Klips zabezpieczający sprężyny – do zabezpieczenia sprężyn i kamery podczas transportu.
- 2 Zacisk sprężynowy – utrzymuje sprężynę i kamerę we właściwym miejscu podczas transportu i przechowywania.
- 3 Prowadnica kablowa – przed wżebieniem Smart Hub należy nawlec sprężynę i wsuwany przewód przez prowadnicę.
- 4 Uchwyt
- 5 Przycisk odblokowujący – naciśnij ten przycisk, aby zwolnić Smart Hub z bębna inspekcyjnego rur.
- 6 Wyłącznik główny – wciśnij krótko jeden raz, aby włączyć urządzenie; wciśnij i przytrzymaj, aby wyłączyć urządzenie.
- 7 Przycisk resetowania długości przewodu – resetuje długość rozwiniętego przewodu do zera.
- 8 Wskaźnik LED ONE-KEY
- 9 Port USB-A – służy do bezpośredniego zapisywania filmów i zdjęć, a także do aktualizacji oprogramowania układowego.
- 10 Port USB-C – opcjonalny kabel zasilania i danych do połączenia bezprzewodowego monitora M18 SIM ze Smart Hub.
- 11 Pokrywa portu USB – wodoodporna pokrywa chroniąca porty USB przed kurzem i wilgocią.
- 12 Pręt uziemiający – służy do uziemienia Smart Huba podczas podążania za wsuwanym przewodem.
- 13 Pokrywa baterii – wodoodporna pokrywa chroniąca baterię przed kurzem i wilgocią.
- 14 Komora baterii – dla baterii M18™
- 15 Przyłącze do podłączenia Smart Hub i bębna inspekcyjnego rur.
- 16 Port testowy kamery – do rozwiązywania problemów związanych z głowicą kamery

## 2.2 Wkładanie i wyjmowanie baterii



## 2.3 Sprawdzenie poziomu naładowania baterii



78-100 %



55-77 %



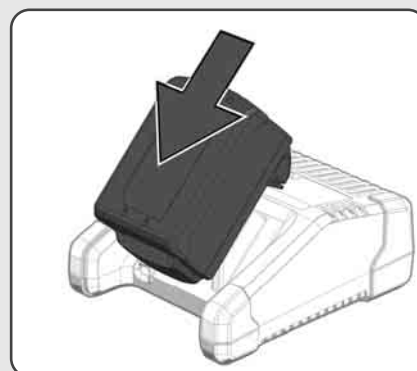
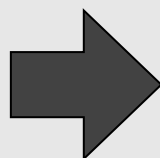
33-54 %

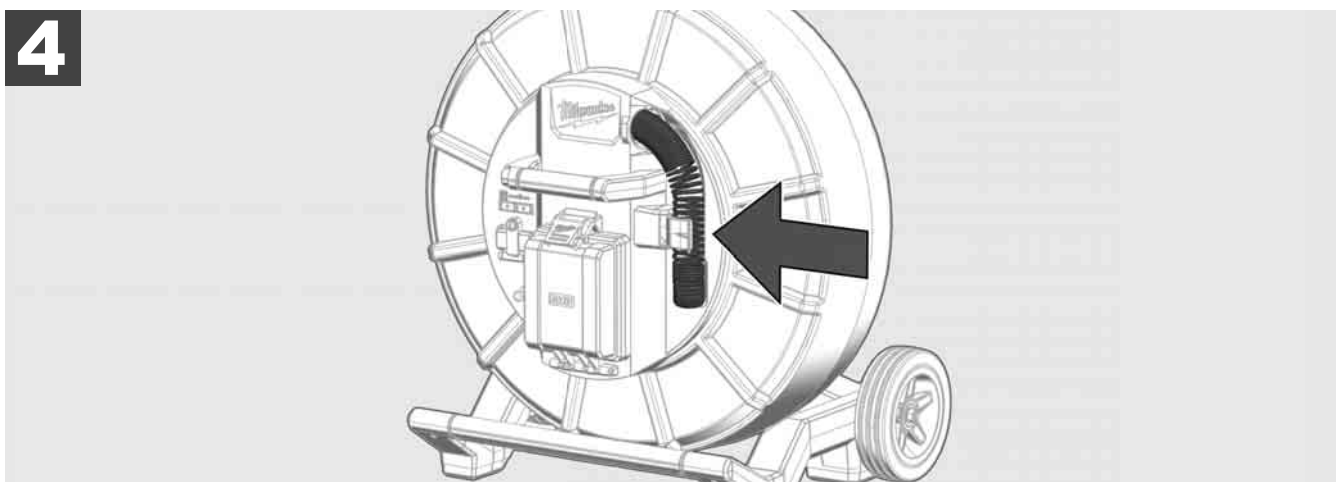
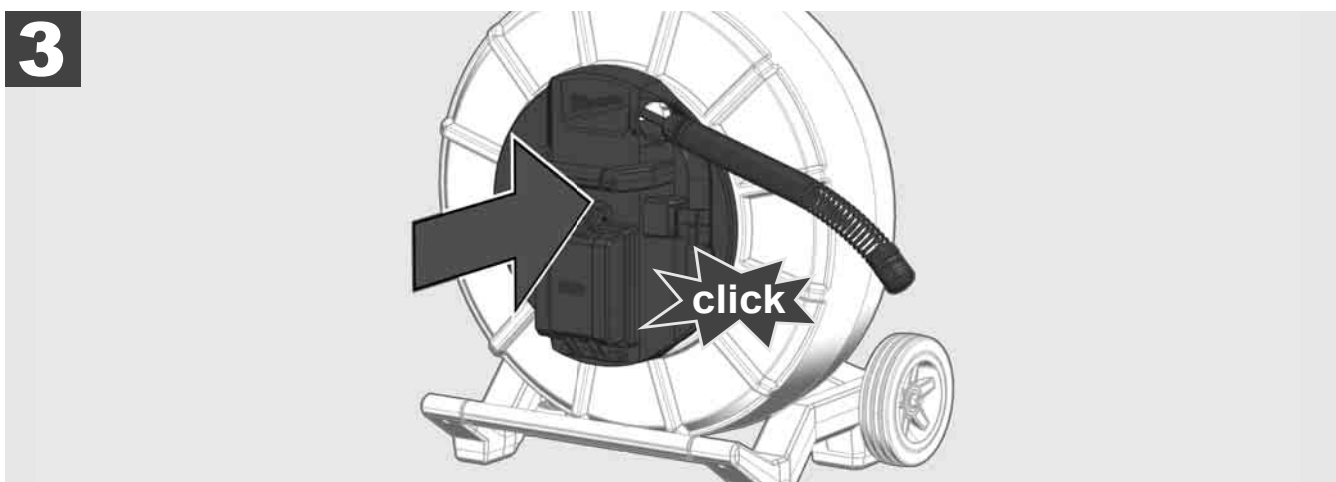
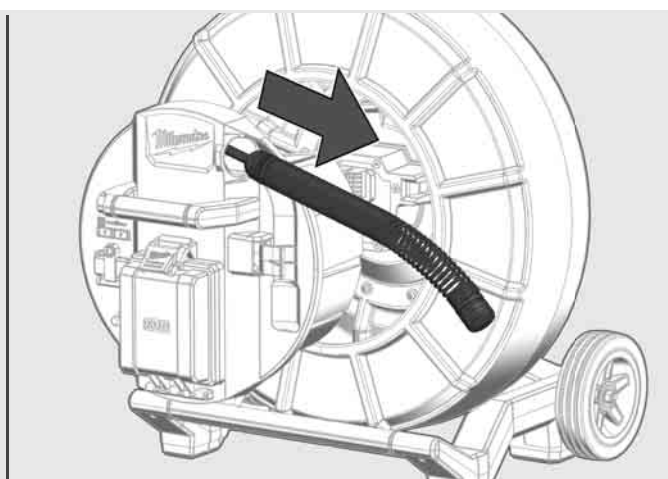
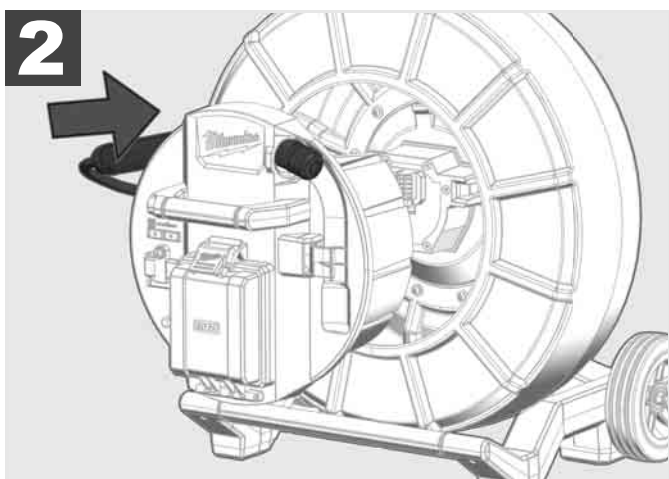
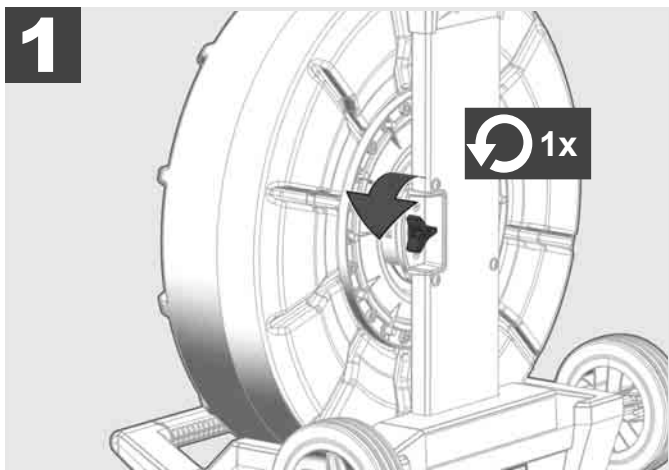


10-32 %



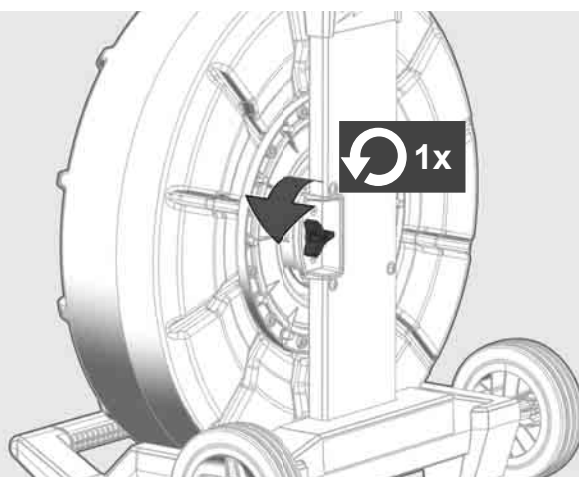
< 10 %



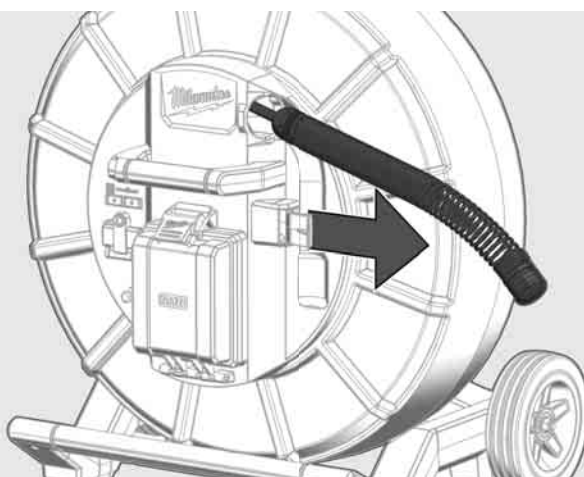




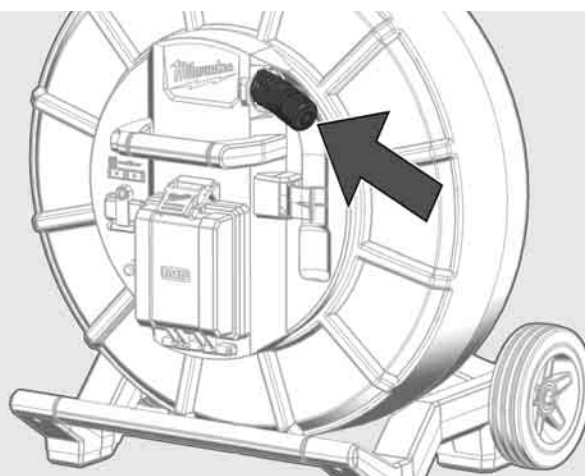
**1**



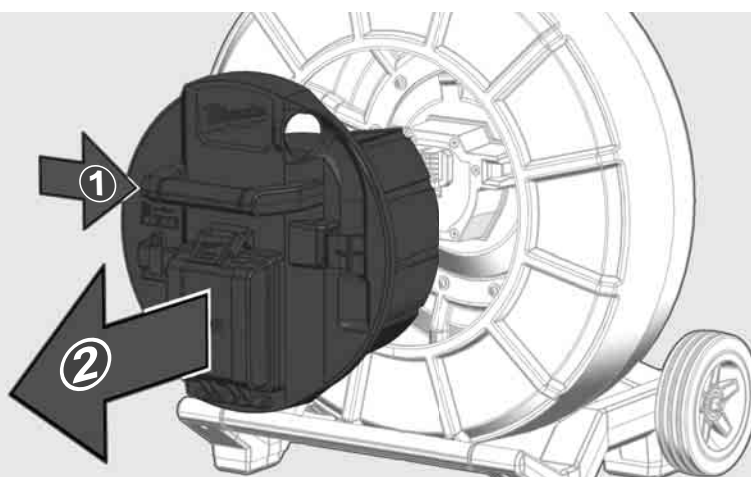
**2**



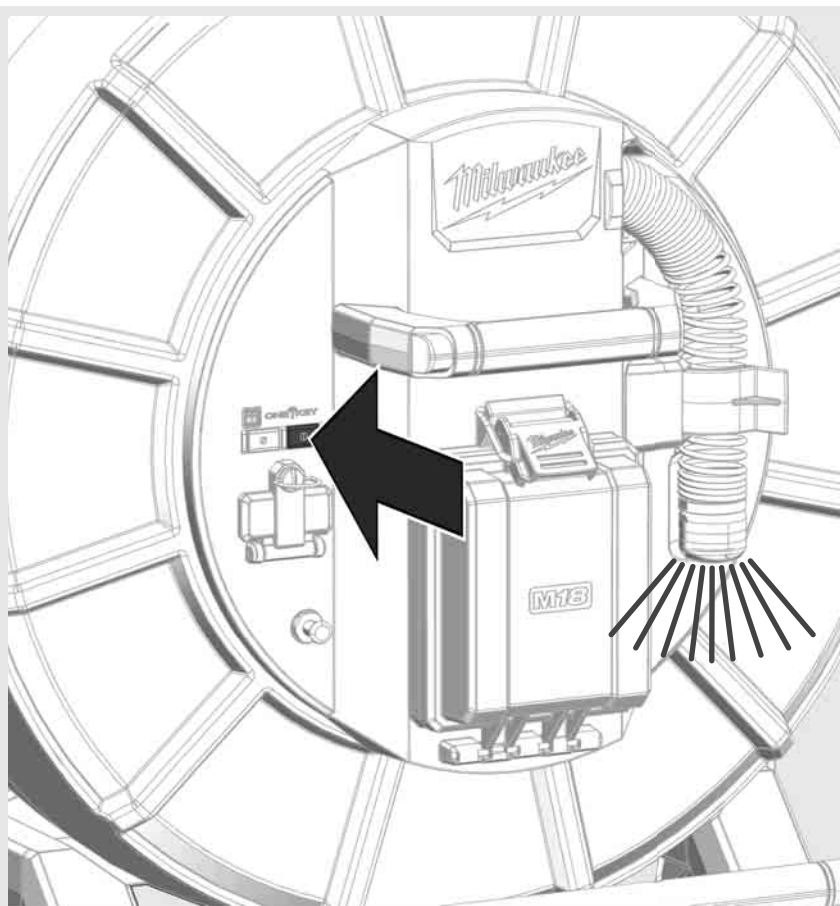
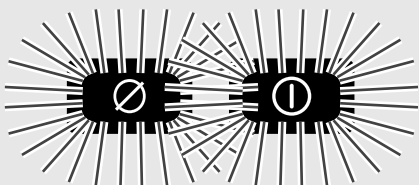
**3**



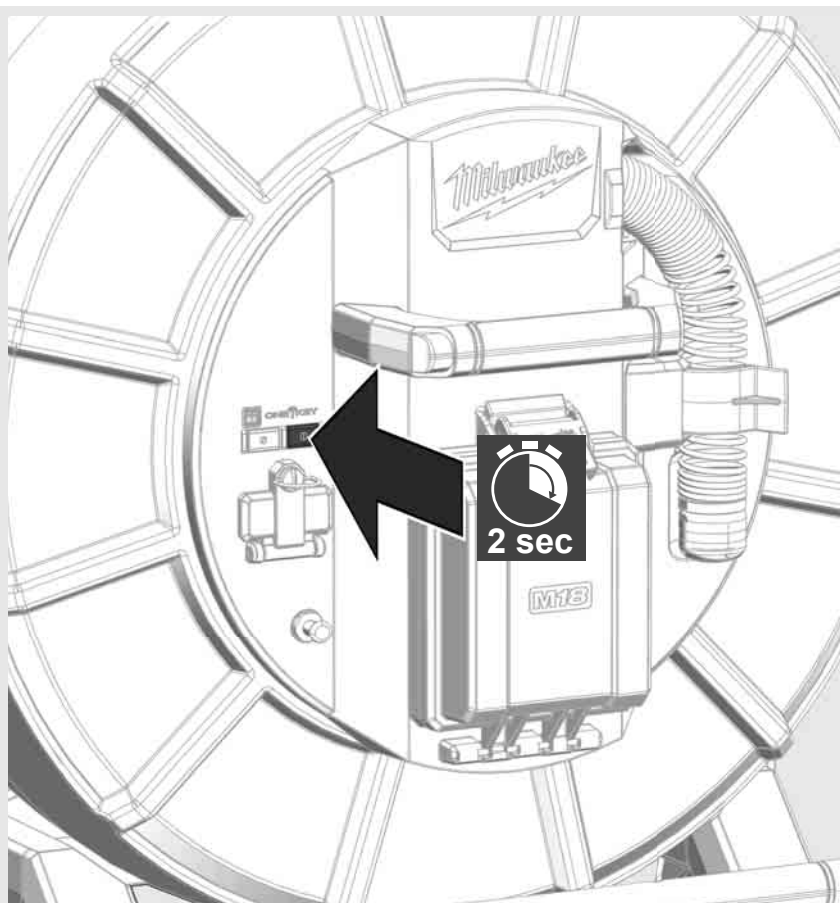
**4**



# ON



# OFF





## 2.7 Podłączanie monitora

Do zmiany ustawień SYSTEMU INSPEKCJI RUR, sterowania jego funkcjami oraz odtwarzania filmów i zdjęć wykonanych aparatem wymagane jest zewnętrzny wyświetlacz.

Wyświetlacz zewnętrzny nie wchodzi w skład zestawu SYSTEMU INSPEKCJI RUR i należy go nabyć oddzielnie.

Dostępne są następujące opcje:

- BEZPRZEWODOWY MONITOR MILWAUKEE M18 SIM
- Tablet lub smartfon z zainstalowaną aplikacją MILWAUKEE® PIPE INSPECTION

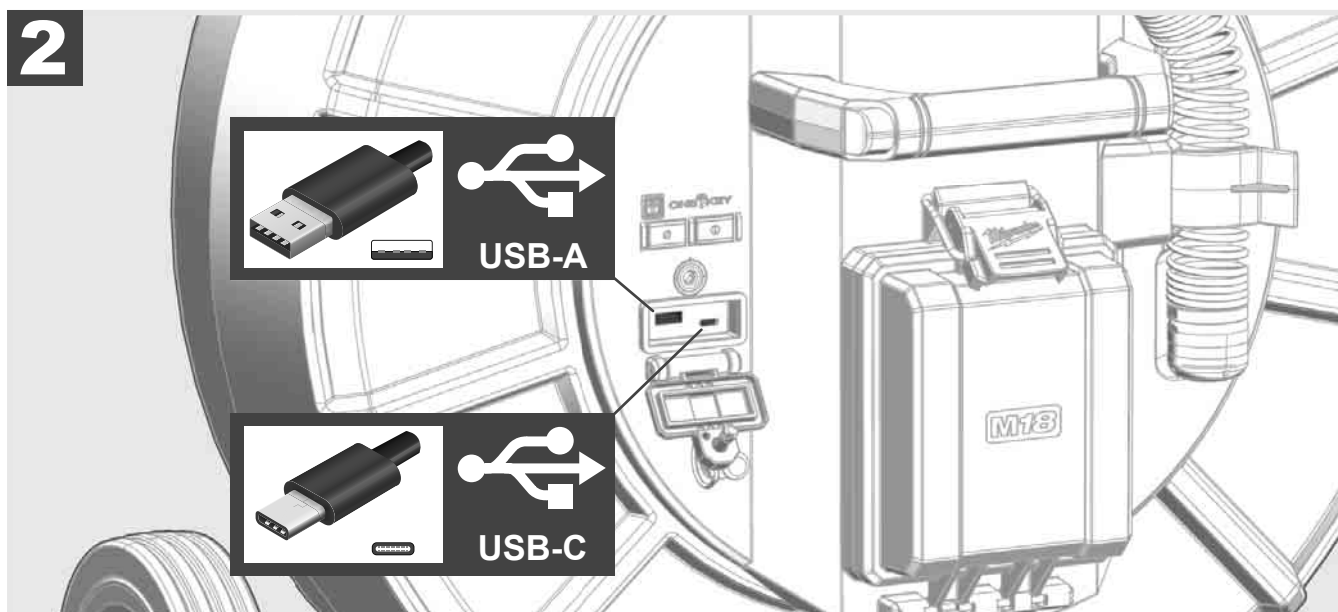
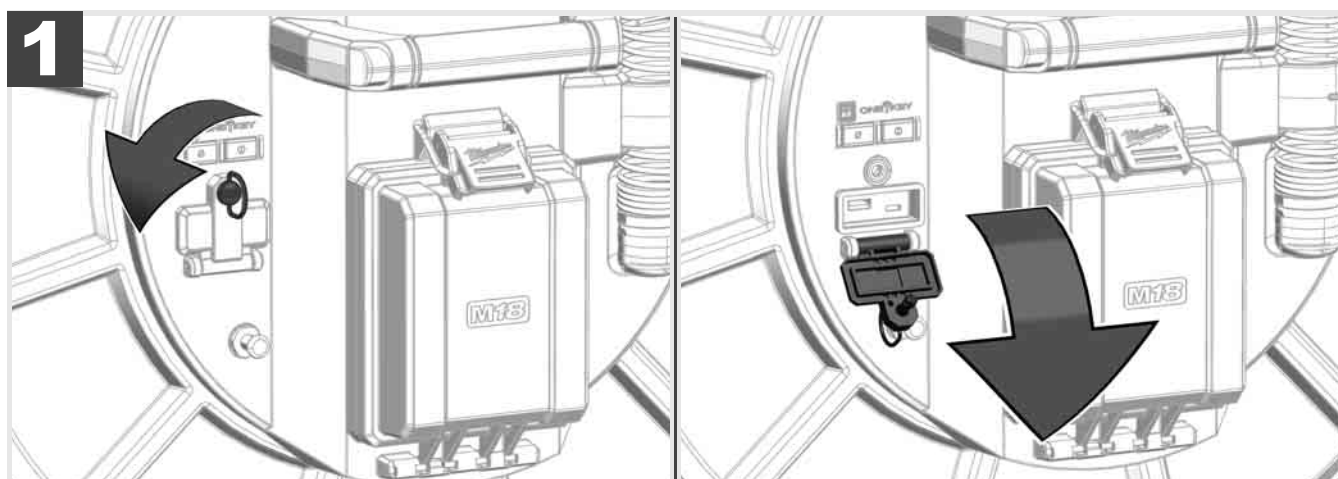
MONITOR BEZPRZEWODOWY podłącza się do SYSTEMU INSPEKCJI RUR poprzez port WLAN lub USB-C i jest natychmiast gotowy do użycia. W przypadku korzystania z tabletu lub smartfona należy najpierw zainstalować na urządzeniu aplikację MILWAUKEE® PIPE INSPECTION.

### **PIERWSZE UŻYCIĘ Z MONITOREM BEZPRZEWODOWYM M18 SIM:**

1. Uruchom Smart Hub i MONITOR BEZPRZEWODOWY.
2. MONITOR BEZPRZEWODOWY automatycznie połączy się z Smart Hub w ciągu 25 sekund.  
\*W celu podłączenia kabla należy podłączyć monitor do Smart Hub za pomocą kabla USB-C.

### **PIERWSZE UŻYCIĘ ZE SMARTFONEM LUB TABLETEM:**

1. Pobierz i zainstaluj aplikację MILWAUKEE® PIPE INSPECTION.
2. Włącz Smart Hub oraz wyświetlacz.
3. Wybierz kolejno opcję Ustawienia > WLAN.
4. Wybierz opcję MTCAM\_[LAST 9 DIGITS OF HUB SERIAL #].
5. Wprowadź hasło: 29702000
6. Uruchom APLIKACJĘ MILWAUKEE® PIPE INSPECTION.

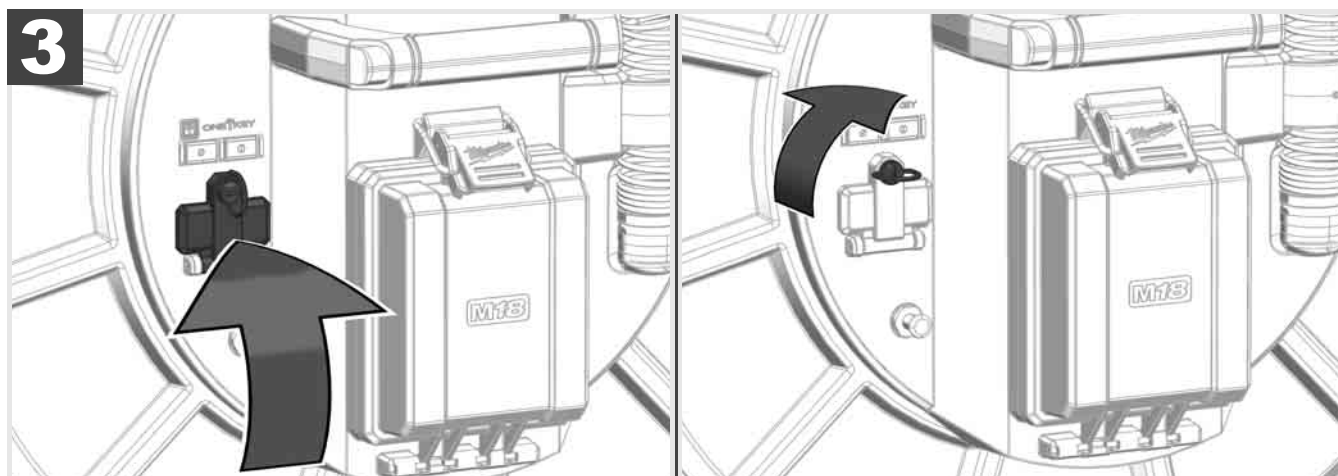


### USB-A

- Port do standardowego użytkowania. Umożliwia bezpośrednie nagrywanie filmów i robienie zdjęć lub ich przesyłanie z wewnętrznego dysku Smart Hub.
- Pozwala na aktualizowanie oprogramowania układowego na Smart Hub.

### USB-C

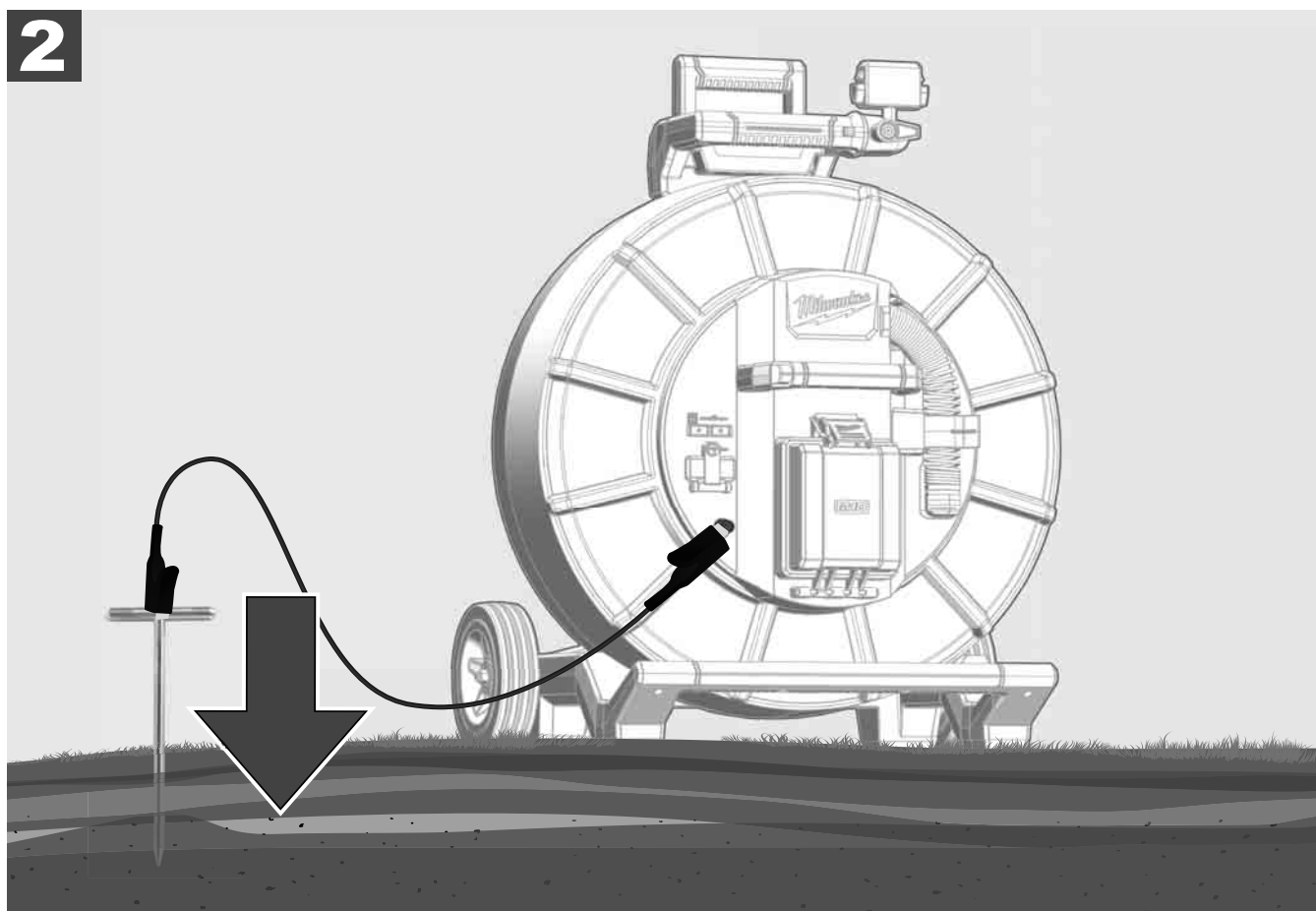
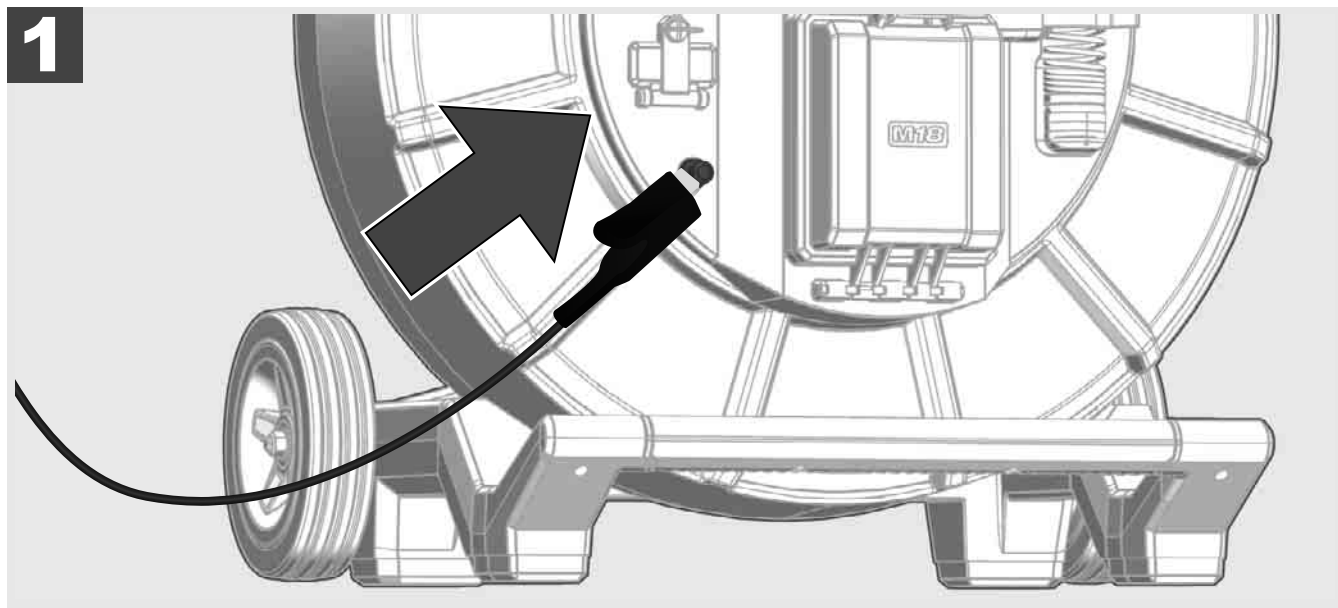
- Pozwala na nawiązanie połączenia pomiędzy monitorem bezprzewodowym M18 SIM a Smart Hub bez połączenia WLAN. Gdy bateria jest rozładowana, zasilanie Smart Hub odbywa się za pomocą monitora bezprzewodowego M18 SIM i odwrotnie.



## 2.9 Pręt uziemiający



Pręt uziemiający należy stosować zawsze wtedy, gdy wsuwany przewód jest śledzony za pomocą funkcji ŚLEDZENIE LINII. Konieczne jest uziemienie Smart Hub, aby zapewnić, że pętla prądowa jest zamknięta i wysyłany jest dobry sygnał lokalizacyjny. Do uziemienia Smart Hub należy użyć dostarczonego w zestawie kabla uziemiającego z prętem uziemiającym.

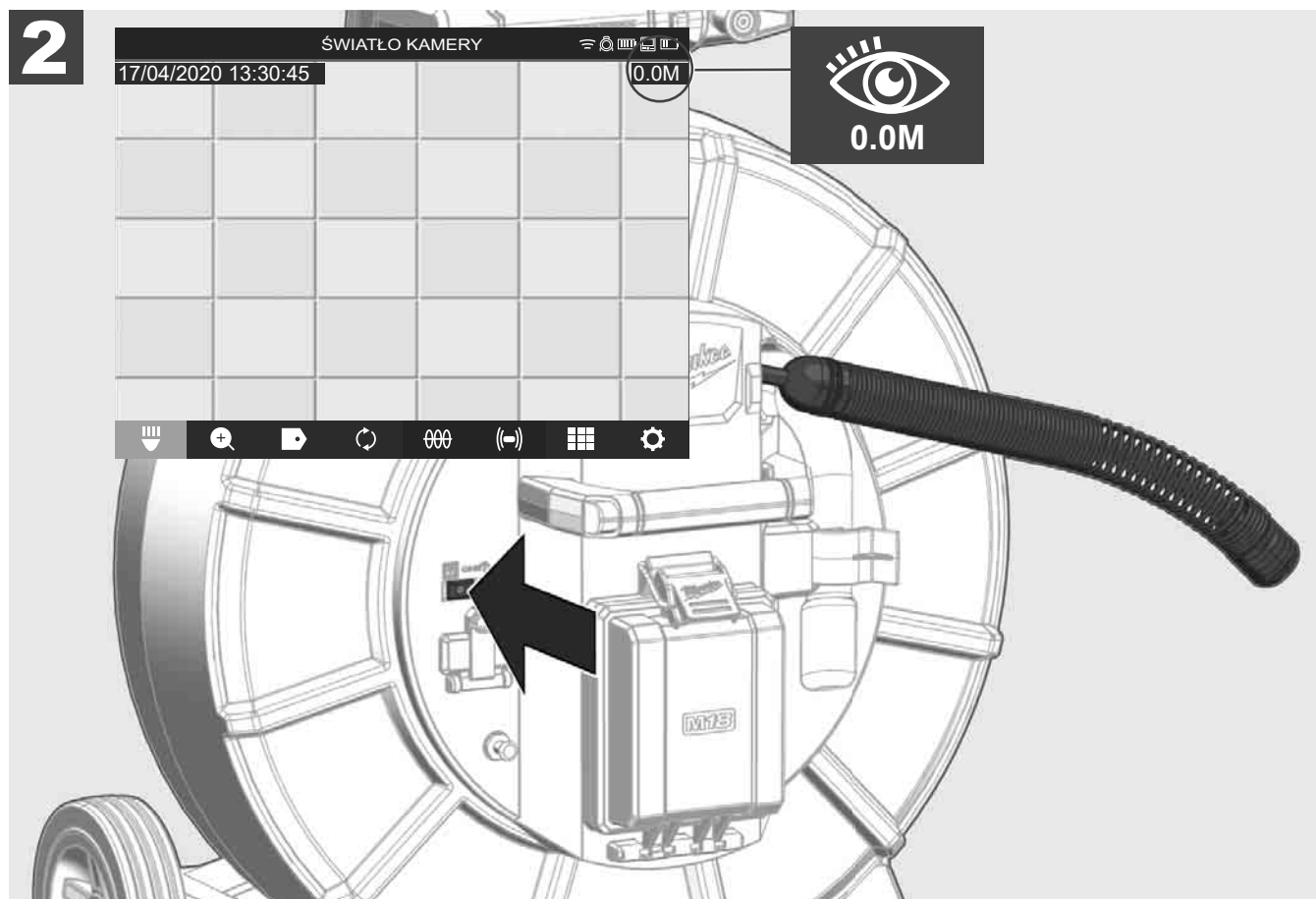
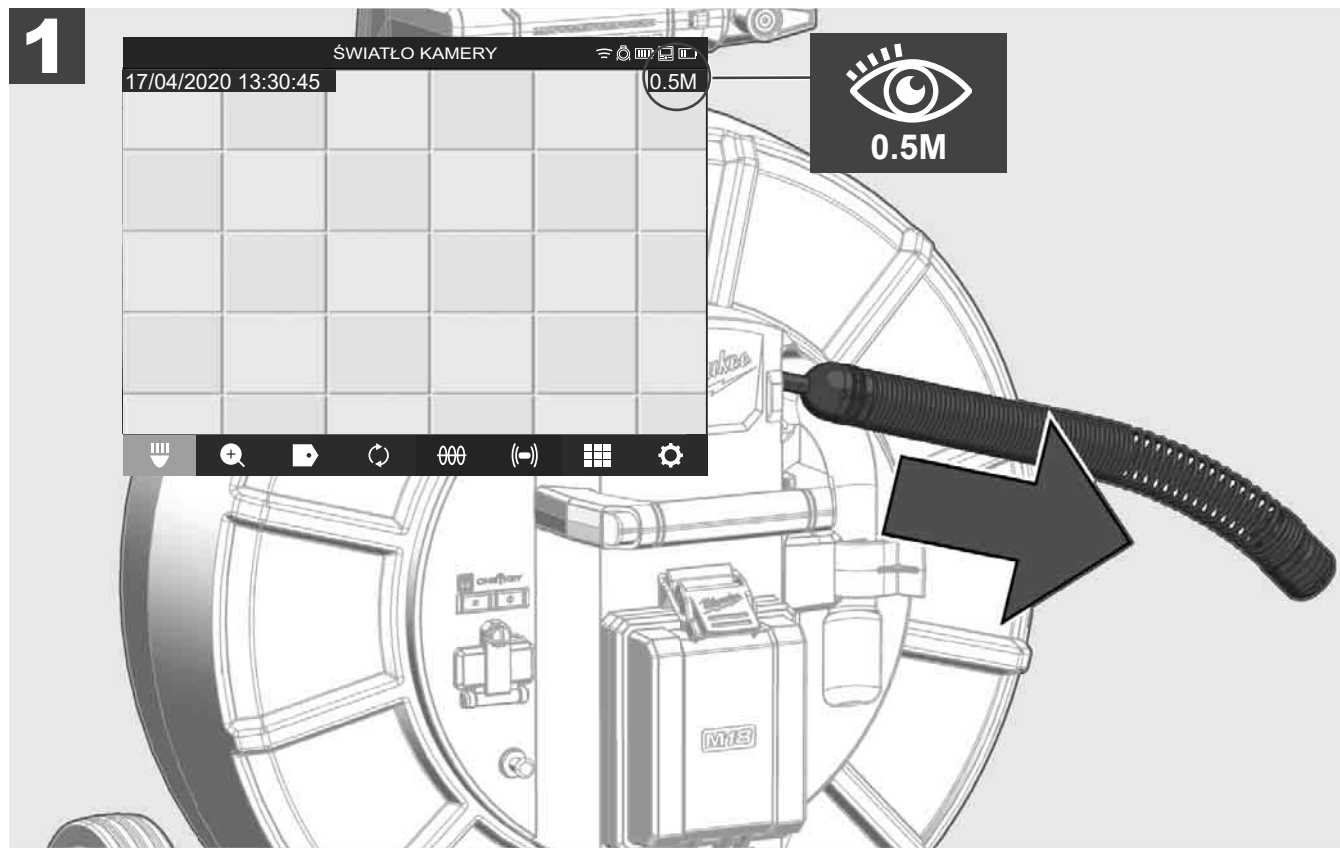


## 2.10 Resetowanie licznika długości



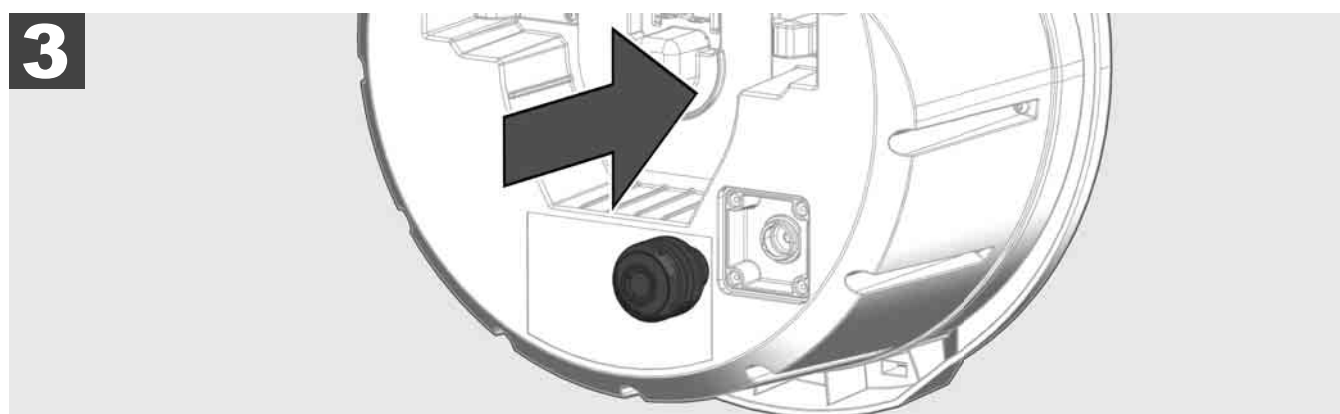
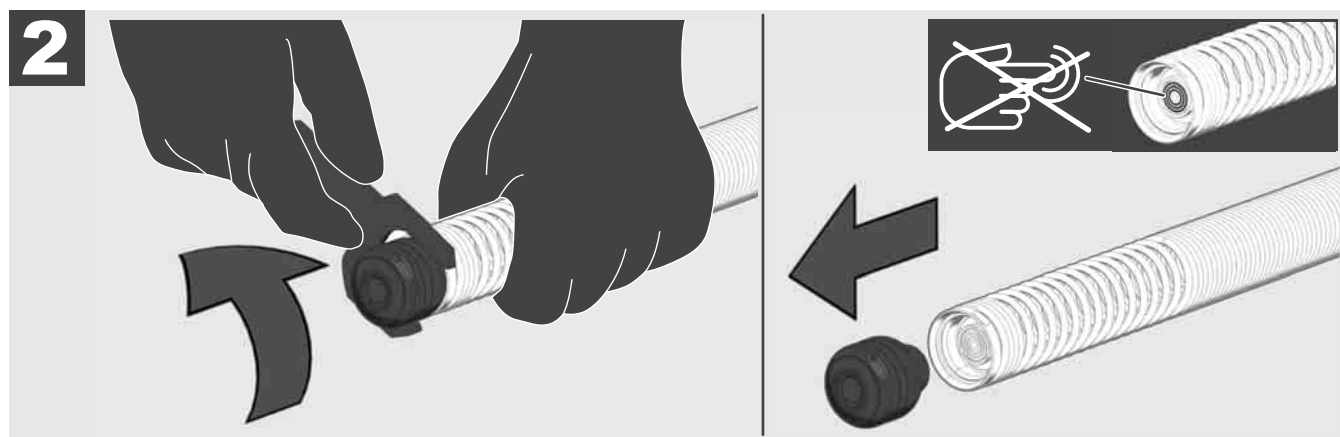
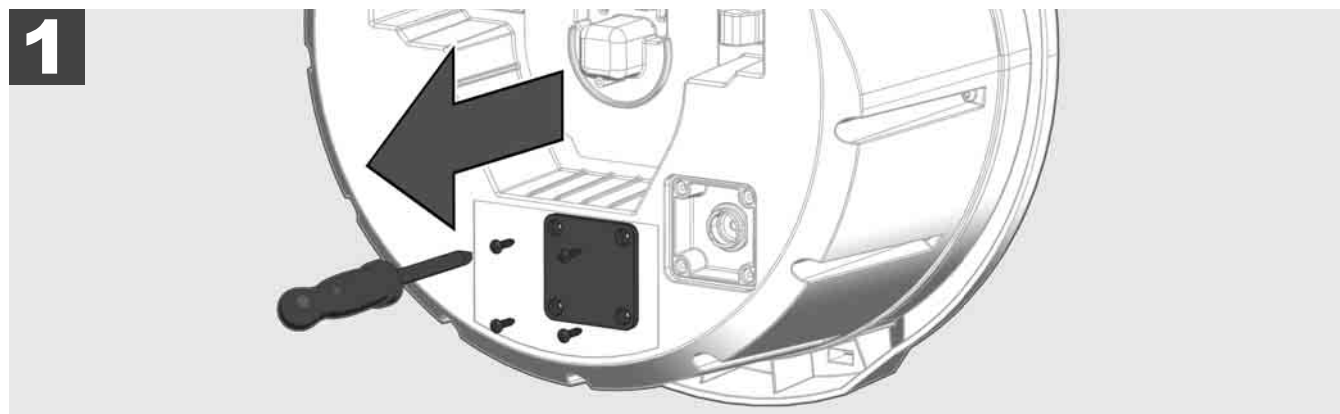
Podczas rozwijania BĘBNA INSPEKCYJNEGO RUR długość rozwijanego kabla jest wyświetlana na pasku stanu monitora bezprzewodowego M18 SIM.

Aby zresetować wyświetlacz, naciśnij klawisz



## 2.11 Złącze testowe kamery

W przypadku wystąpienia problemów z głowicą kamery można ją sprawdzić przez port testowy.

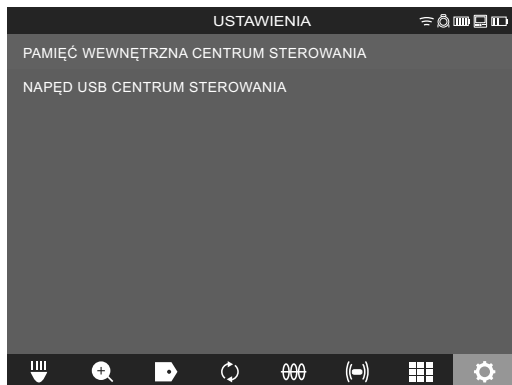


## 2.12 Formatowanie dysku wewnętrznego oraz napędu USB.

Funkcja ta pozwala na sformatowanie wewnętrznego dysku 500 GB Smart Hub lub pamięci USB.

Pamięci USB muszą być sformatowane w formacie FAT32.

1. Wybierz **USTAWIENIA**  → **FORMATUJ PAMIĘĆ**
2. Wybierz pamięć.



3. Potwierdź komunikat na ekranie.



Wybrany napęd zostanie sformatowany, a system powróci do menu **USTAWIENIA**.

## 2.13 Ustawienia fabryczne

Wybór funkcji „Ustawienia fabryczne” przywraca ustawienia fabryczne Smart Hub M18 SISH.

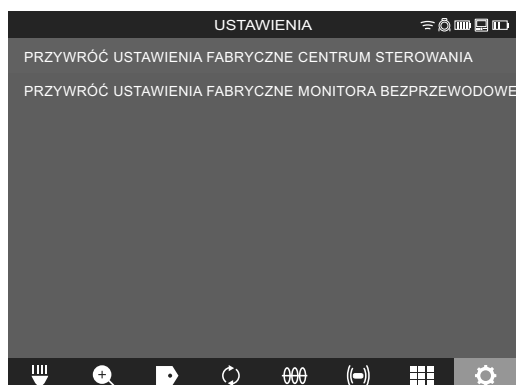
Dokonywany jest reset następujących ustawień Smart Hub M18 SISH:

- Usuwane są ETYKIETY.
- Ustawienia FILMÓW i ZDJĘĆ przywracane są do 1080 P.
- Usunięta zostaje NAZWA FIRMY.
- CZĘSTOTLIWOŚĆ SONDY zostaje przywrócona do ustawień fabrycznych.
- Funkcja ŚLEDZENIA PRZEWODU zostaje przywrócona do ustawień fabrycznych.
- USTAWIENIA EKРАНU zostają przywrócone do ustawień fabrycznych: Barwa, jasność, kontrast, nasycenie.
- JEDNOSTKI MIARY

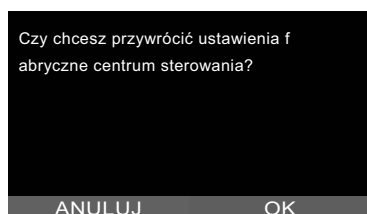
1. Wybierz **USTAWIENIA**  → **USTAWIENIA FABRYCZNE**



2. Wybierz **USTAWIENIA FABRYCZNE** Smart Hub M18 SISH.



3. Odczytaj i potwierdź komunikat o resece przyciskiem OK.



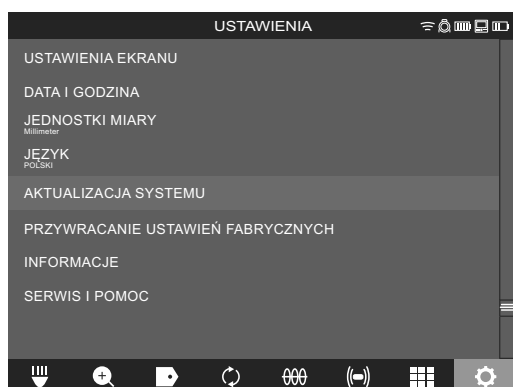
Przywracanie ustawień fabrycznych zostaje zakończone, a system powraca do podmenu **USTAWIENIA FABRYCZNE**.

## 2.14 Aktualizacja systemu

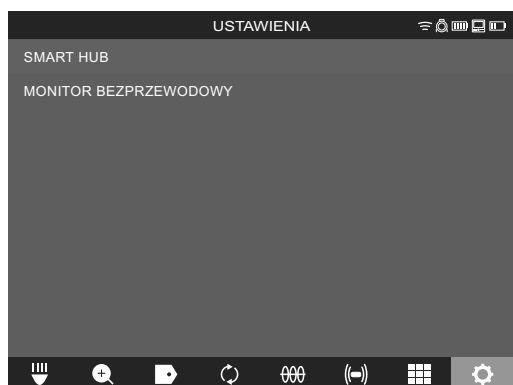
Przed aktualizacją systemu otwórz menu **USTAWIENIA** → **INFORMACJE** i zanotuj aktualną wersję oprogramowania układowego.

Aktualizację oprogramowania układowego można przeprowadzić za pomocą monitora bezprzewodowego M18 SIM lub za pomocą tabletu z zainstalowaną aplikacją Milwaukee® Pipe Inspection.

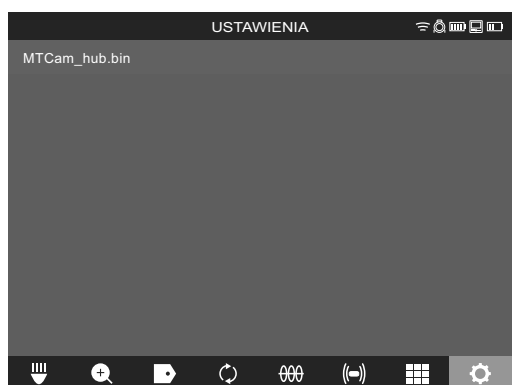
1. Włącz Smart Hub M18 SISH i monitor bezprzewodowy M18SIM lub tablet z zainstalowaną aplikacją Milwaukee® Pipe Inspection.
2. Upewnij się, że monitor bezprzewodowy M18 SIM lub tablet jest połączony z Smart Hub M18 SISH przez sieć WLAN. W przypadku braku połączenia WLAN należy je najpierw ustawić.
3. Włóż napęd USB z aktualizacją oprogramowania układowego do portu USB-A w Smart Hub M18 SISH.
4. Wybierz **USTAWIENIA** → **AKTUALIZACJA SYSTEMU**



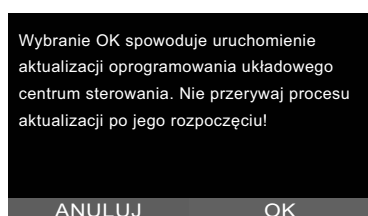
5. Wybierz Smart Hub M18 SISH.



6. Na ekranie wyświetlona zostanie nazwa pliku aktualizacji. Wybierz **NAZWA PLIKU** w celu rozpoczęcia aktualizacji.

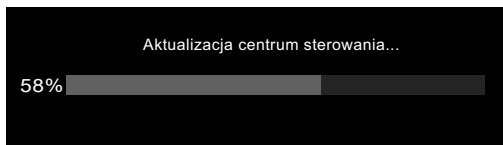


7. Przeczytaj i potwierdź komunikat ostrzegawczy przyciskiem OK.

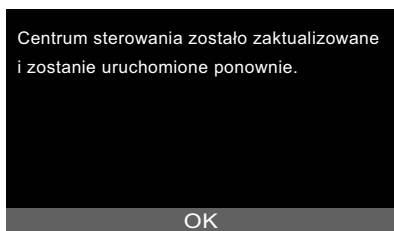




8. Postęp aktualizacji wyświetlany jest na pasku postępu.



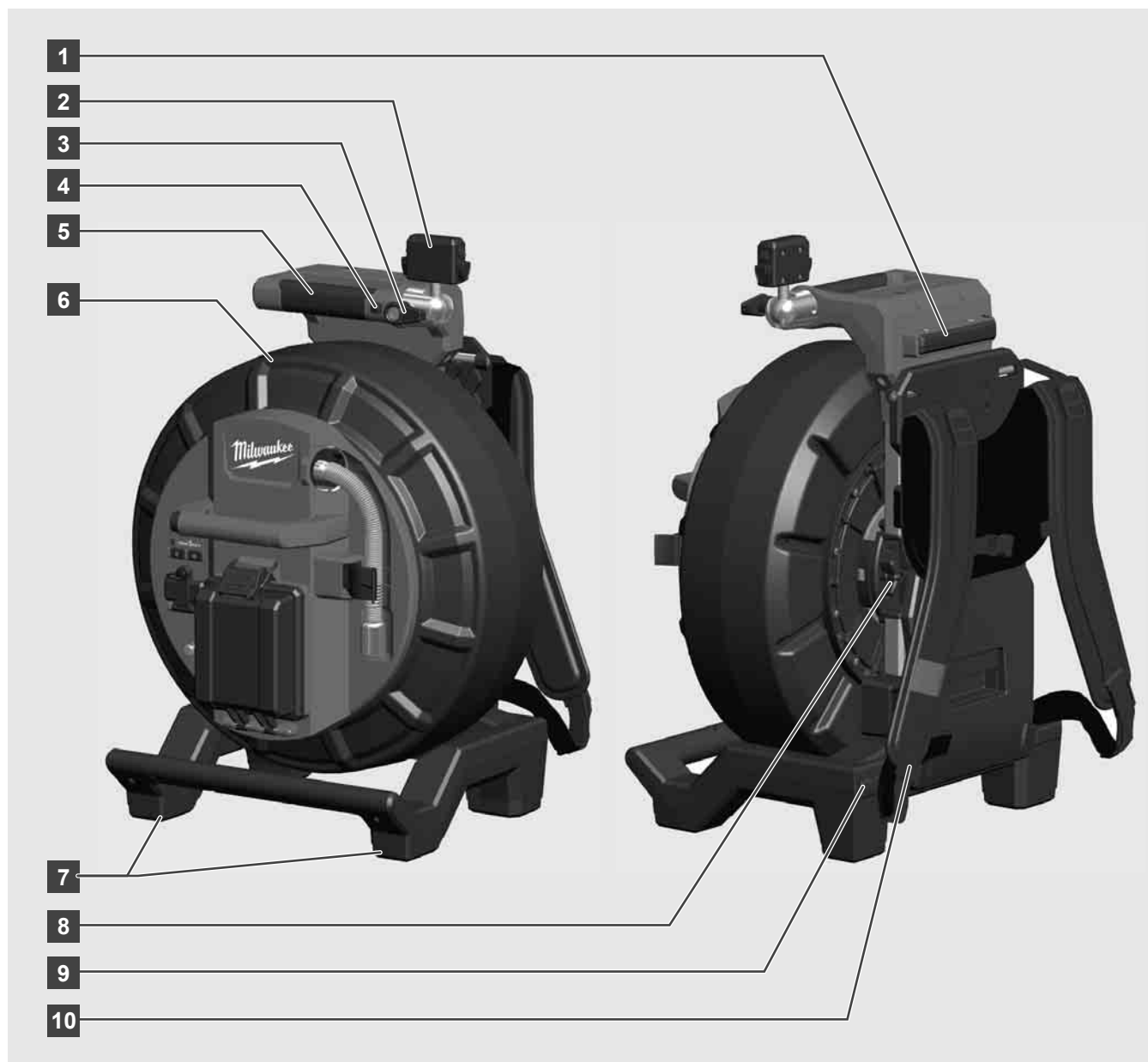
9. Na zakończenie aktualizacji wyświetlony zostanie komunikat, który należy potwierdzić. Wybierz OK, aby uruchomić ponownie system.



10. Wybierz **USTAWIENIA** → **INFORMACJE**, aby sprawdzić, czy pomyślnie przeprowadzono aktualizację wersji oprogramowania układowego.

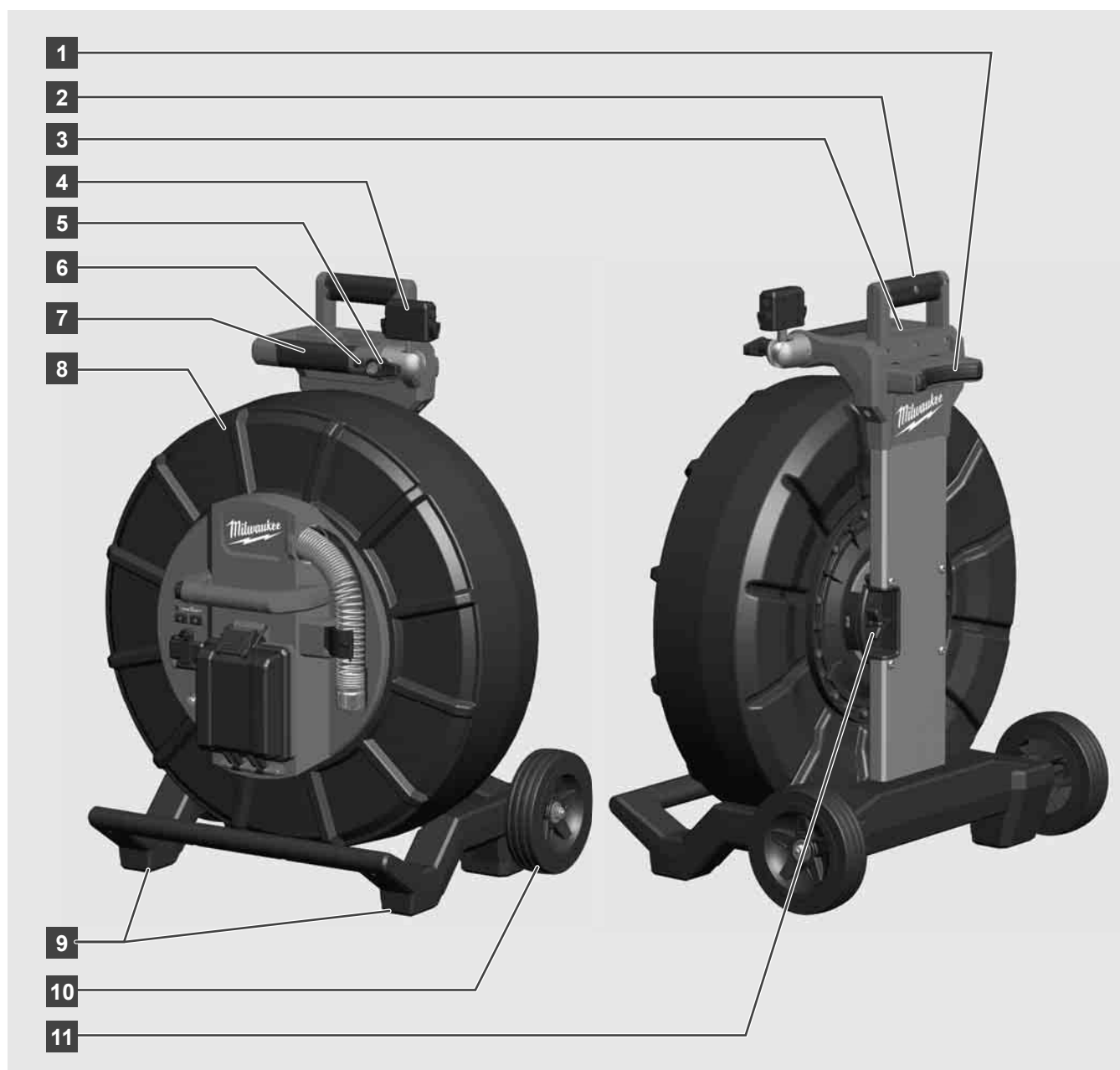
## 3 BĘBNY INSPEKCYJNY RUR

### 3.1 Bęben inspekcyjny rur M18 SIC36



- 1 Regulowana stopa do użytku poziomego
- 2 Monitor bezprzewodowy M18 SIM – uchwyt i złącze do tabletu
- 3 Monitor bezprzewodowy M18 SIM – blokada obracania
- 4 Monitor bezprzewodowy M18 SIM – blokada pochyłu
- 5 Uchwyt
- 6 Bęben kablony z wsuwanym przewodem
- 7 Regulowana stopa do użytku pionowego
- 8 Hamulec bębna kablowego
- 9 Regulowana stopa do użytku poziomego
- 10 Mocowanie do przenoszenia

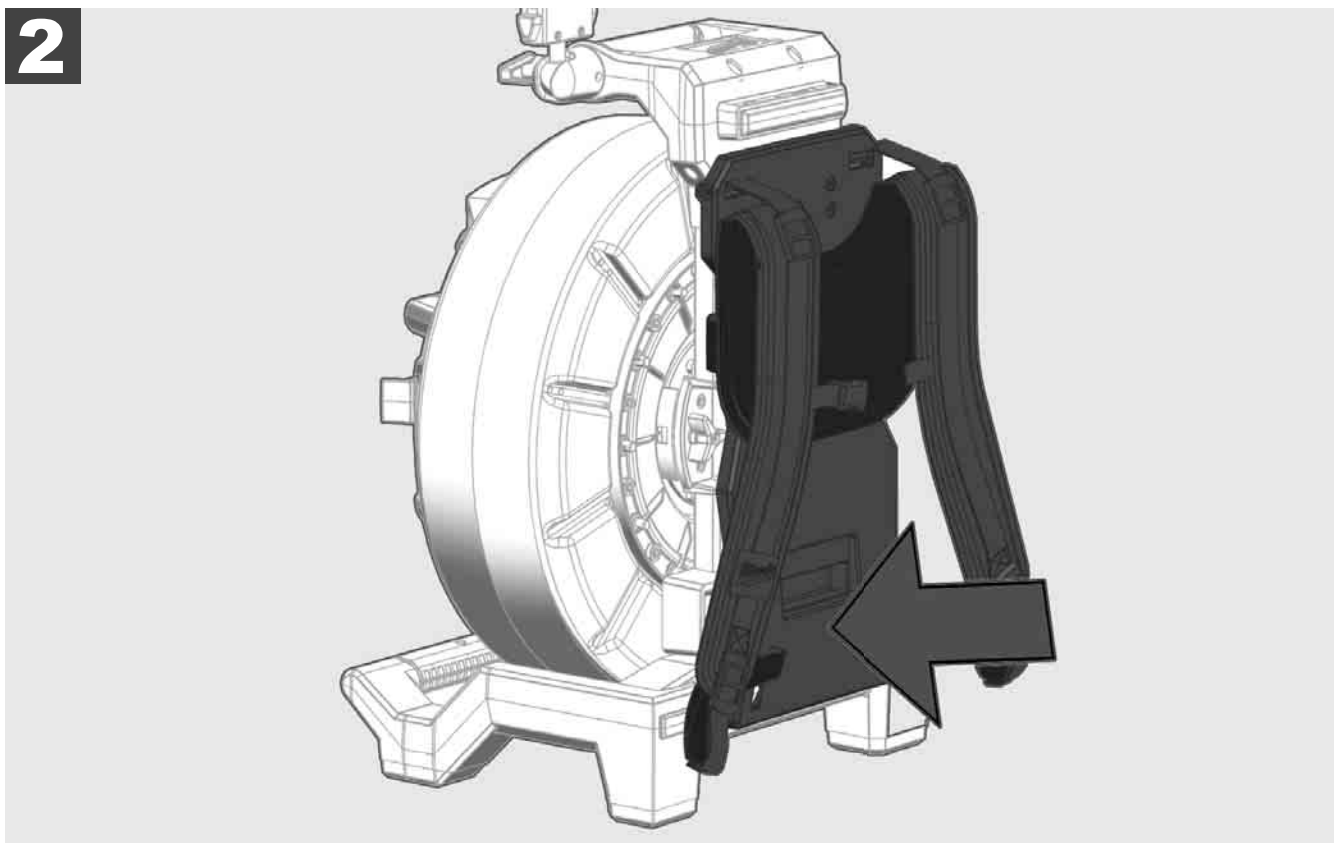
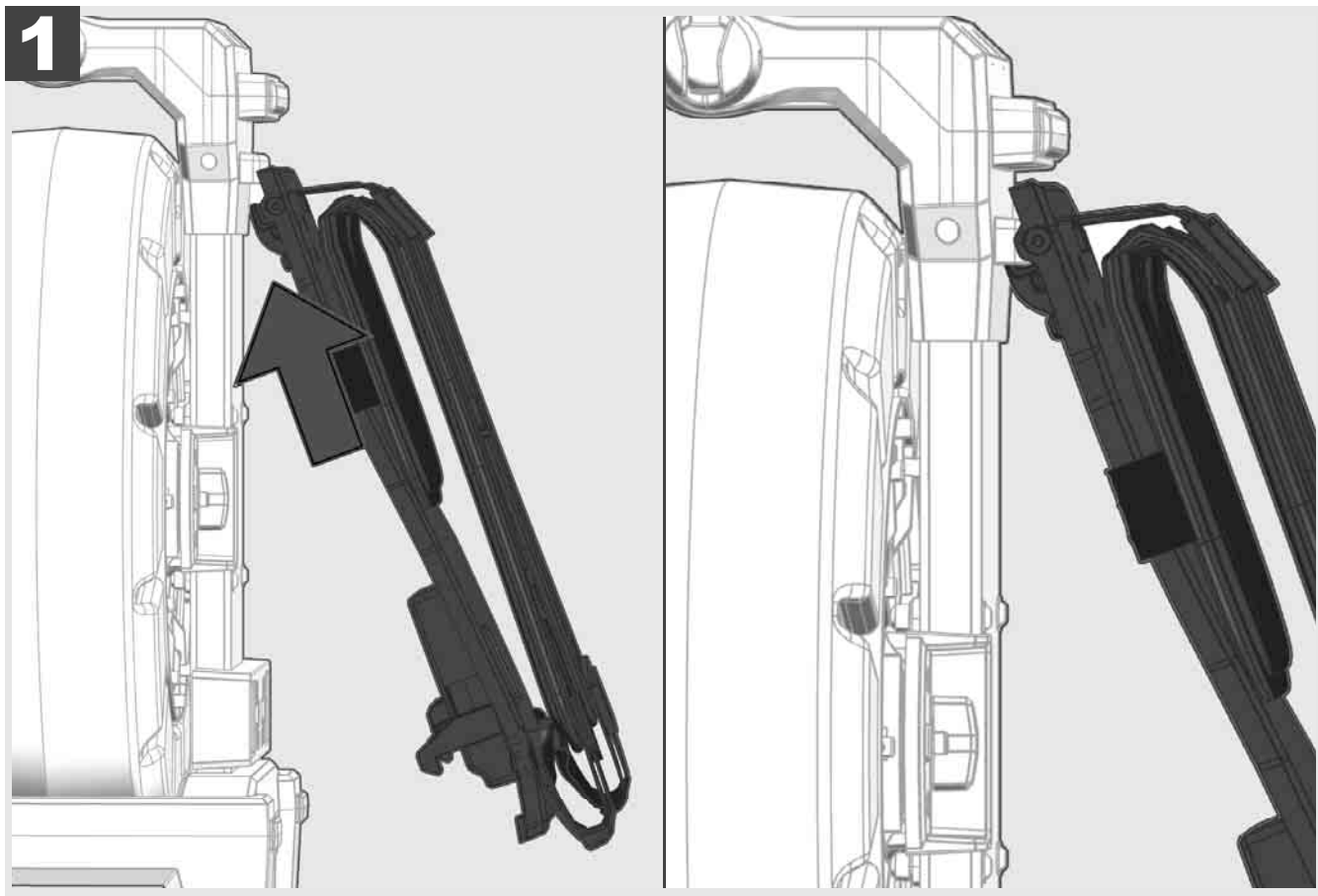
### 3.2 Bęben inspekcyjny rur M18 SIC60



- 1 Regulowana stopa do użytku poziomego
- 2 Uchwyt rozkładany (w pozycji wsuniętej)
- 3 Przycisk do blokowania i odblokowywania uchwytu rozkładanego
- 4 Monitor bezprzewodowy M18 SIM – uchwyt / uchwyt i złącze do tabletu
- 5 Monitor bezprzewodowy M18 SIM – blokada obracania
- 6 Monitor bezprzewodowy M18 SIM – blokada pochyłu
- 7 Uchwyt
- 8 Bęben kablów z wsuwany przewodem
- 9 Regulowana stopa do użytku pionowego
- 10 Koła
- 11 Hamulec bębna kablów

### 3.3 Instalacja mocowania do przenoszenia

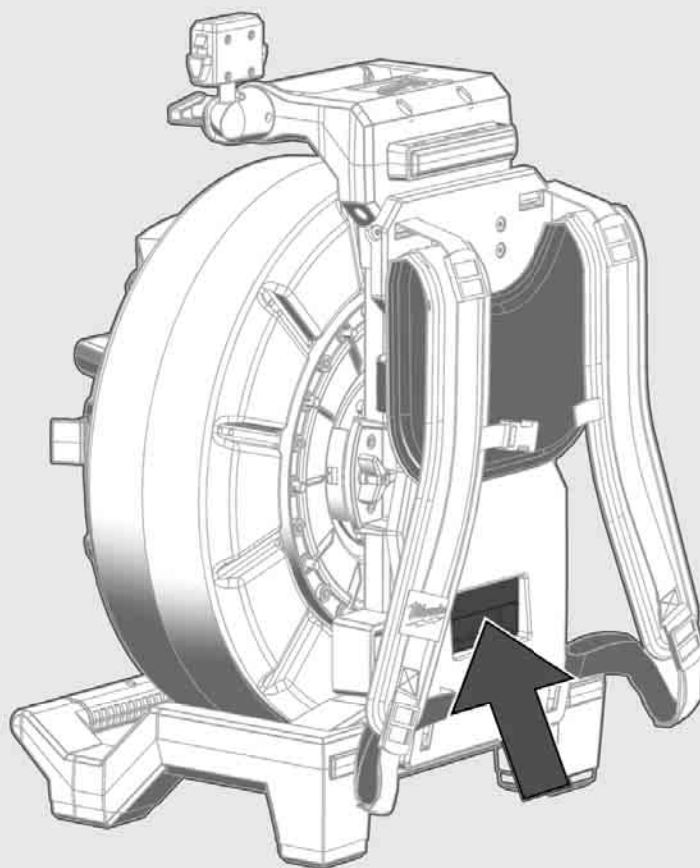
BĘBEN INSPEKCYJNY RUR M18 SIC36 jest wyposażony w mocowanie do przenoszenia, które umożliwia chodzenie z bębnem na plecach jak z plecakiem. Dzięki niemu transport małego bębna do miejsca użytkowania jest niezwykle wygodny, co jest szczególnie praktyczne przy wchodzeniu po schodach lub korzystaniu z drabinek.



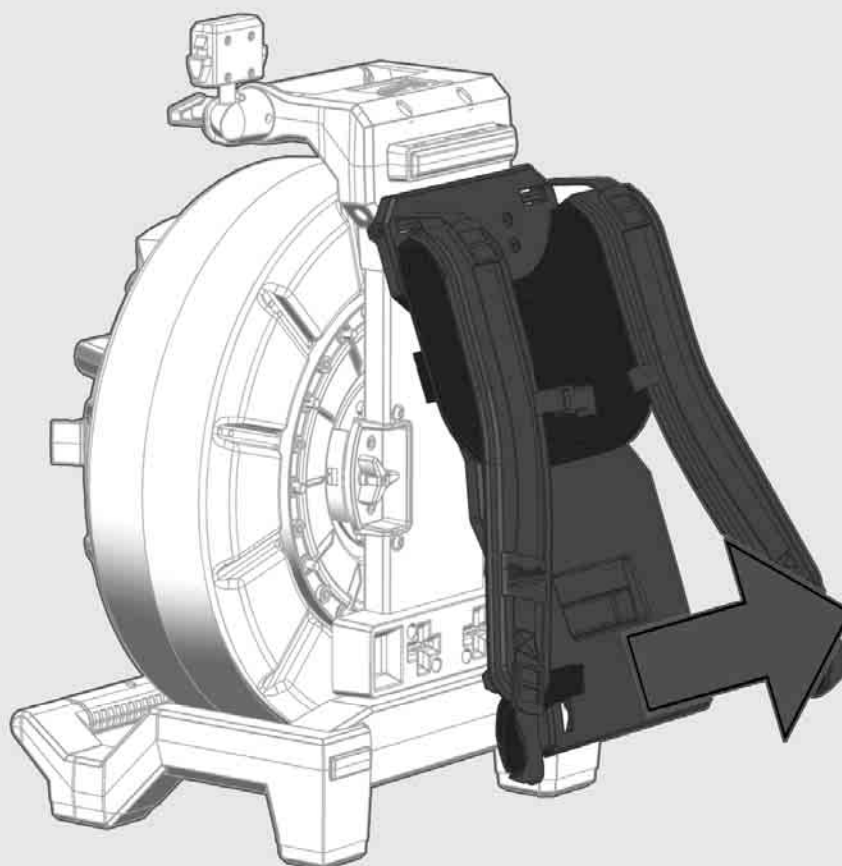
Zawieś mocowanie do przenoszenia na górze i dociśnij kłębem kciuka do spodu, aż do zatrzaśnięcia mocowania do przenoszenia. Pociągnij krótko za mocowanie do przenoszenia, aby upewnić się, że jest zatrzaśnięte na swoim miejscu.

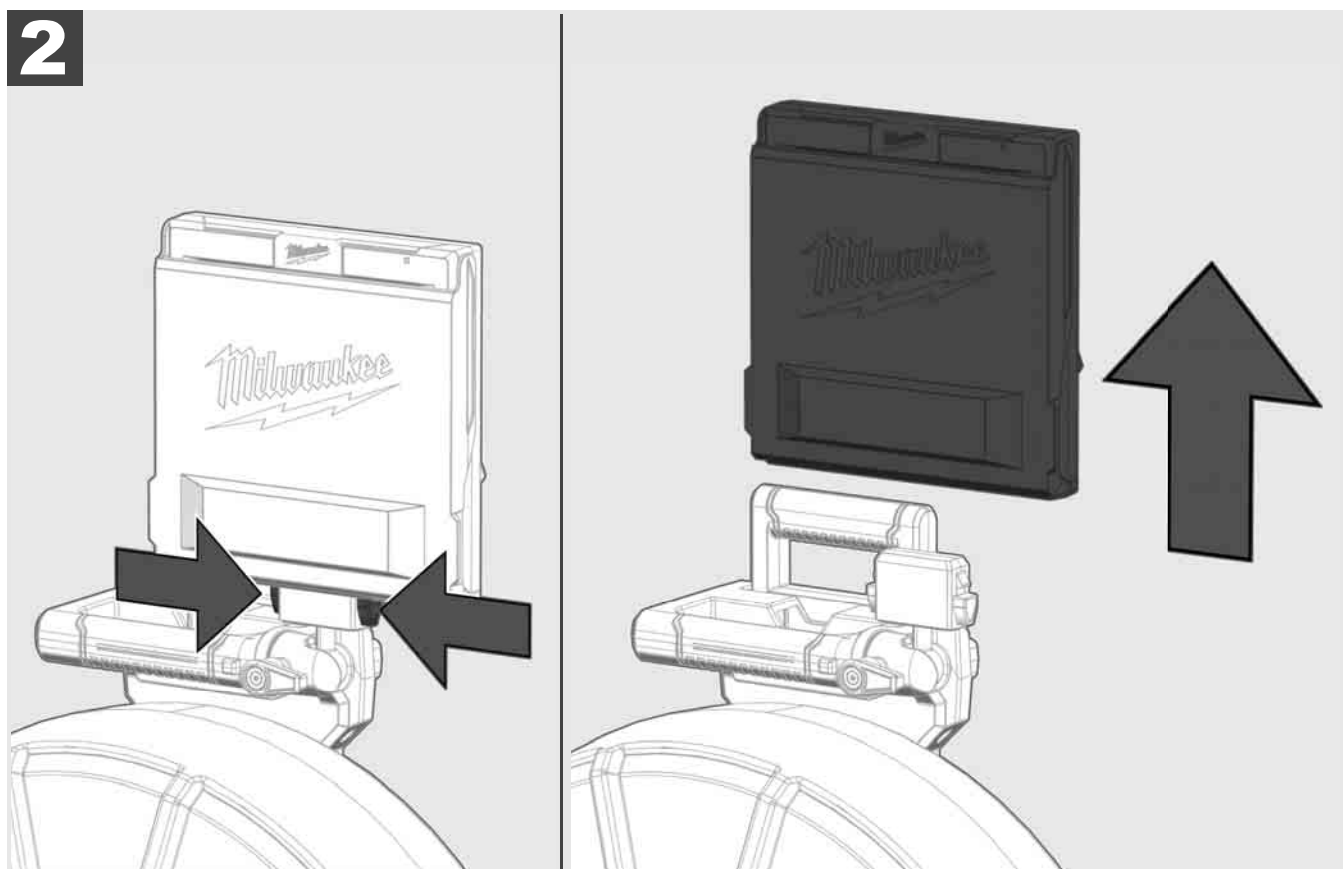
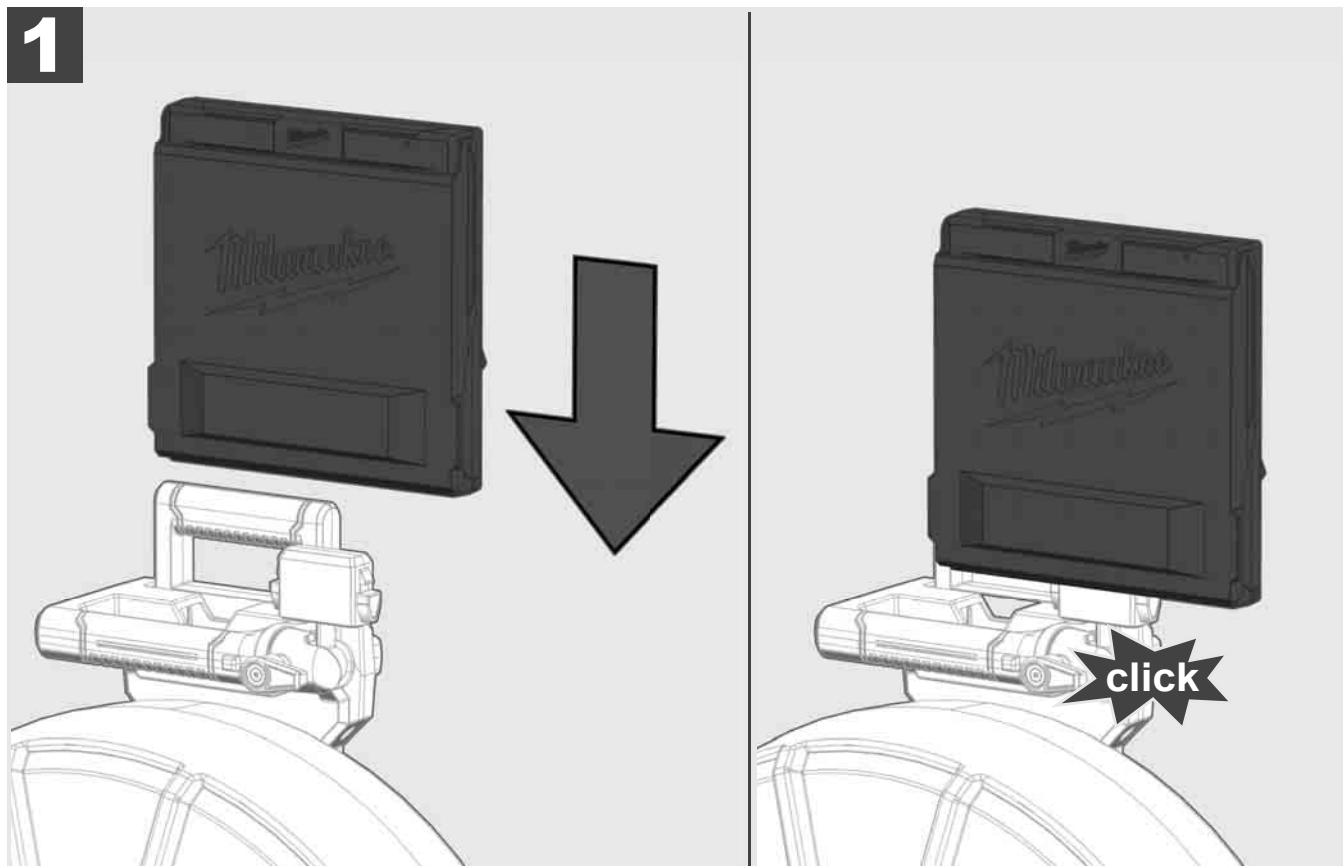


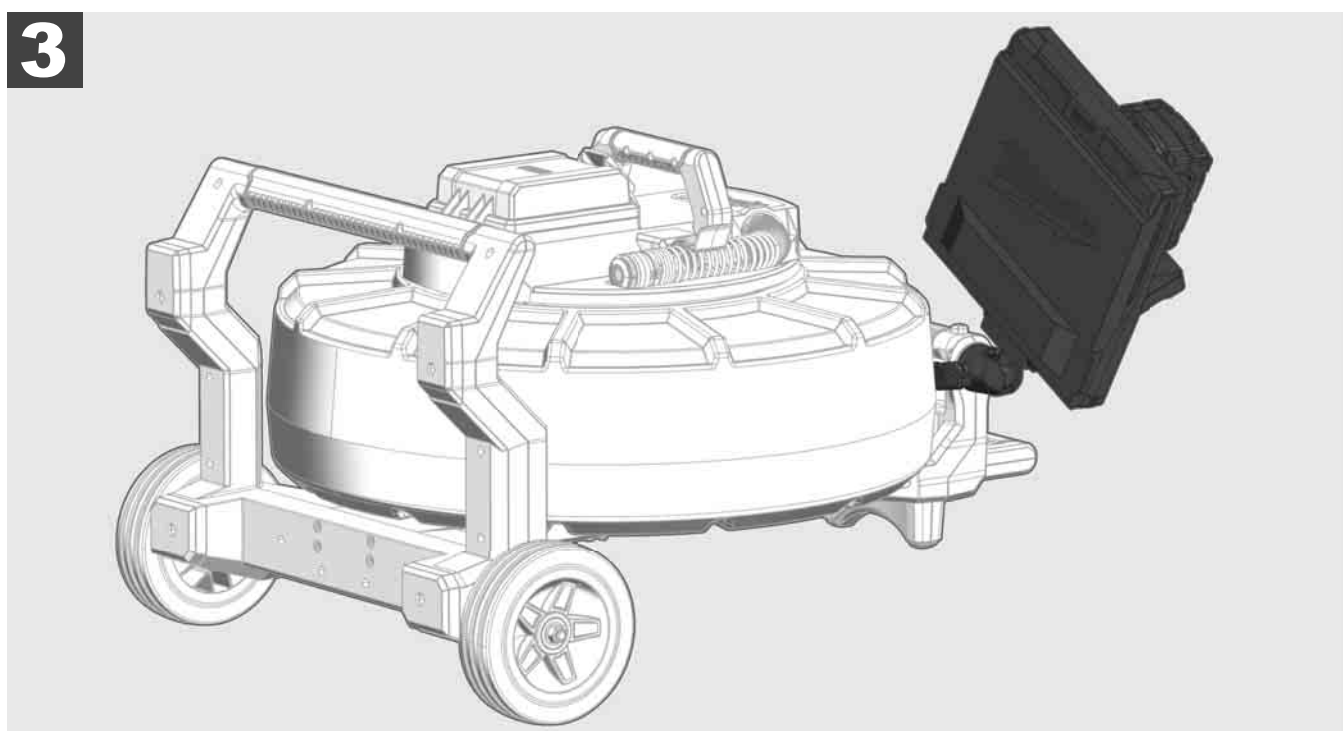
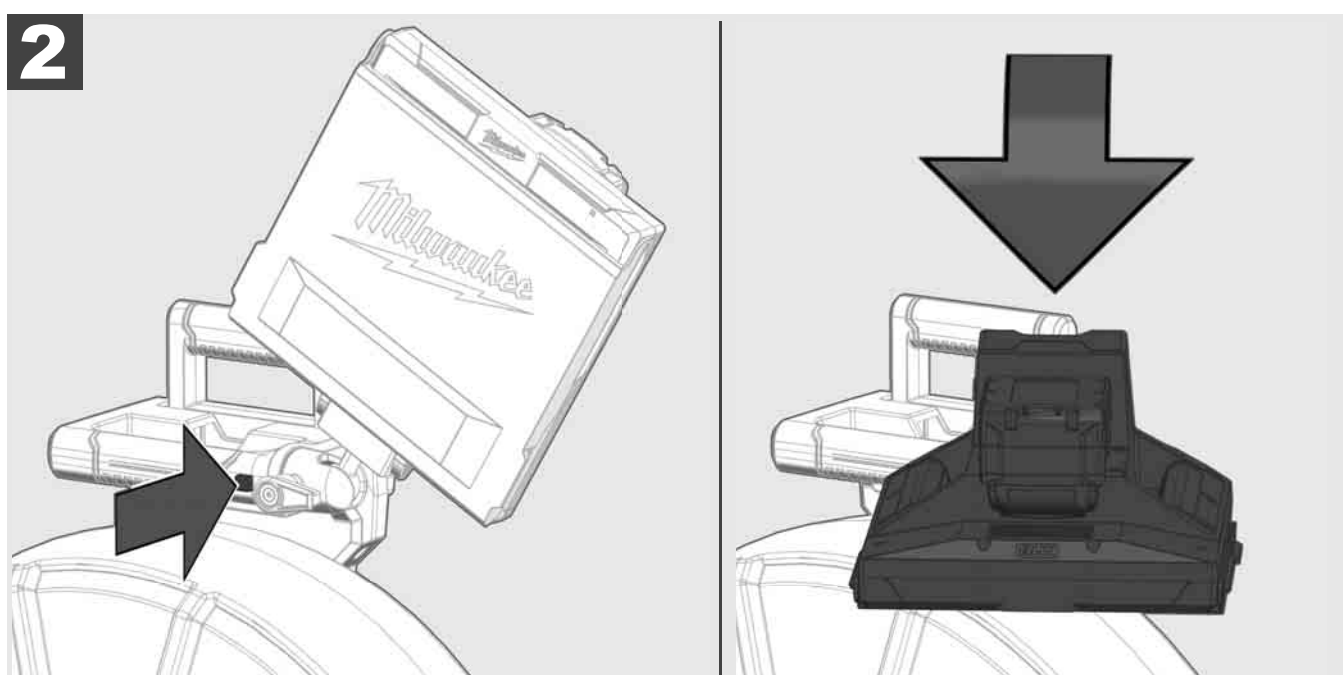
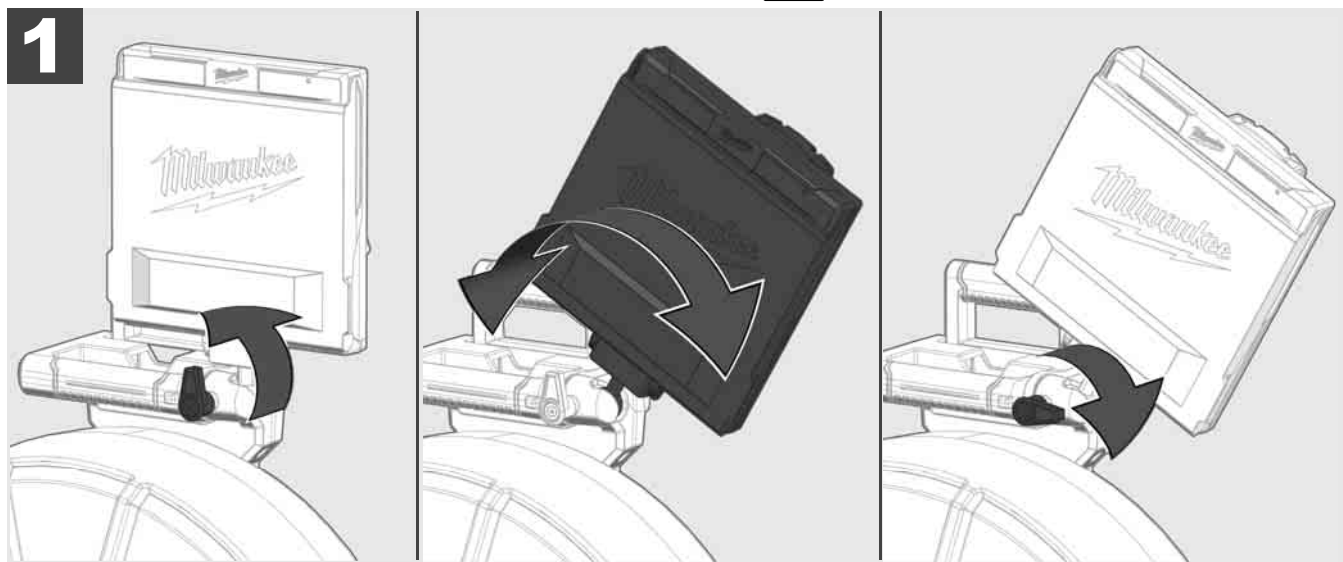
**1**



**2**







### 3.7 Użytkowanie bębna inspekcyjnego rur



Sprawdź wsuwany przewód pod kątem śladów zużycia – skontroluj przewód podczas nawijania pod kątem przecięć, zagięć i przetarć. Jeśli osłona przewodu zużyła się na tyle, że widoczny jest żółty lub biały oploty kevlarowy, należy wymienić wsuwany przewód. W przypadku używania wsuwanego przewodu z uszkodzoną osłoną, do jego wnętrza może przedostawać się woda i wilgoć, co niesie za sobą ryzyko negatywnej jakości obrazu z kamery lub awarii kamery.

Poniższy rysunek przedstawia przykłady mocno uszkodzonych osłon. Tak wyglądający wsuwany przewód należy wymienić jak najszybciej.

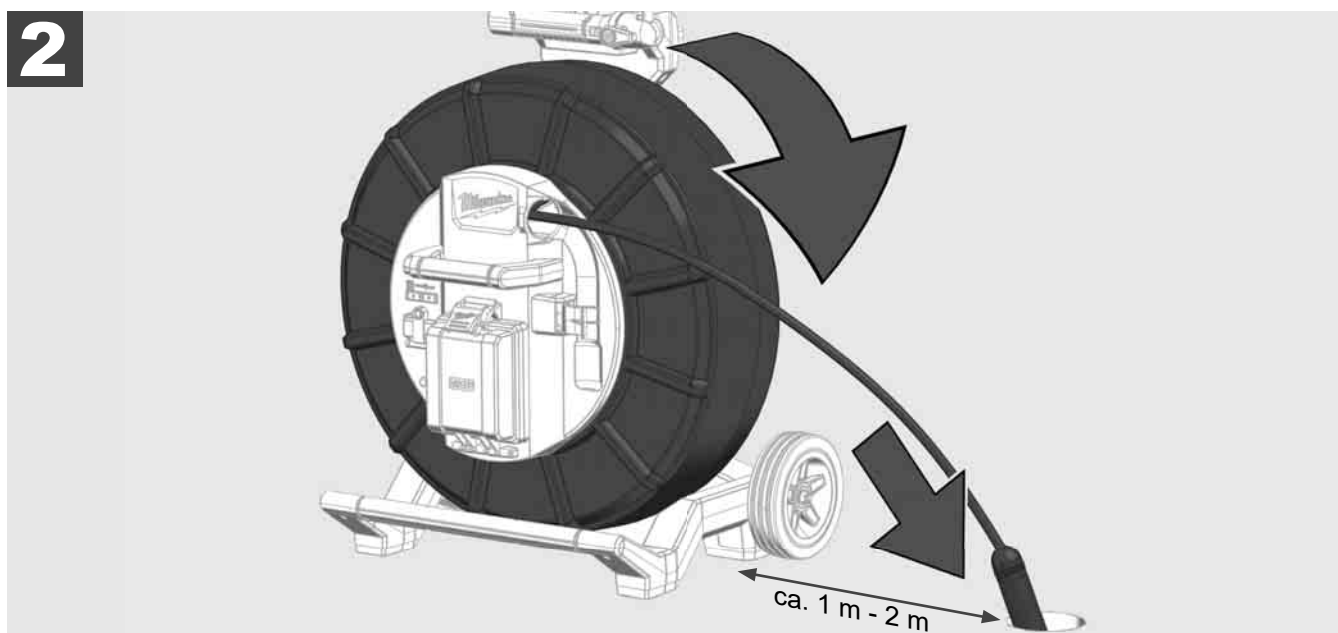
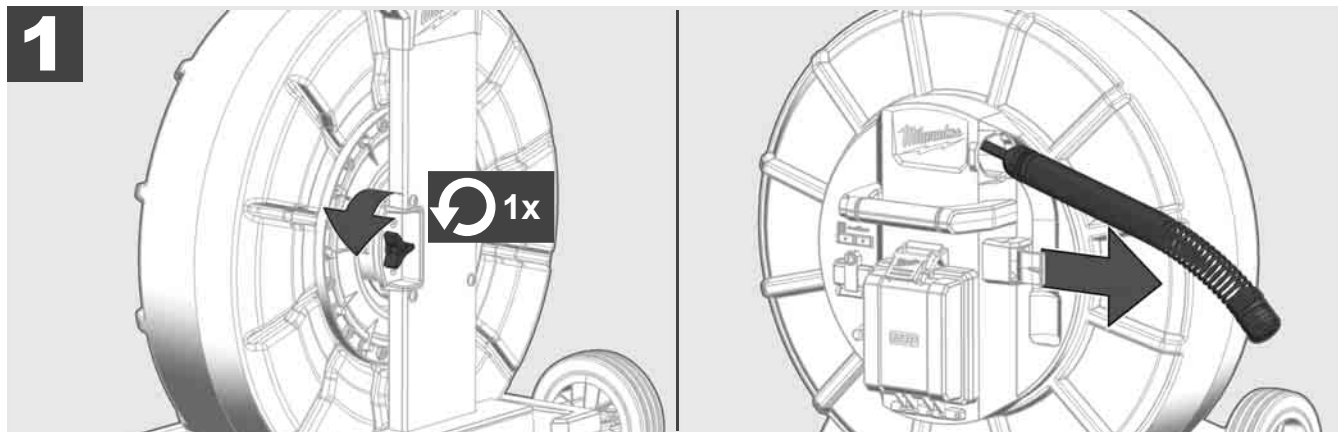


Wsuwany przewód i zespół sprężyny należy zawsze utrzymywać w stanie suchym i czystym – przewód należy zawsze czyścić czystą i suchą szmatką w trakcie nawijania. Na zakończenie dnia roboczego należy dokładnie oczyścić głowicę kamery i zespół sprężyny pod bieżącą wodą, aby usunąć wszelkie pozostałości brudu. Wstrząsnąć po wysuszeniu lub przedmuchać nadmiar wody powietrzem pod niskim ciśnieniem, a następnie wysuszyć części. Głowica kamery, wsuwany przewód i elementy złączeniowe w trakcie codziennego użytkowania są narażone na działanie agresywnych chemikaliów. Staranne czyszczenie systemu wydłuży żywotność tych części.

Ostrożnie obchodzić się z wsuwanym przewodem – nie wyciągać wsuwanego przewodu z zablokowanego bębna. W przeciwnym razie przewód zostanie ściśnięty wewnątrz bębna i zostanie narażony na nadmierne obciążenia. Wsuniecie wsuwanego przewodu z powrotem do zablokowanego bębna może natomiast spowodować przełączenie lub zagięcie przewodu.

Umieść bęben na równym podłożu w odległości około 1-2 metry od punktu wejścia. Dzięki temu pozostawiona będzie wystarczająca ilość miejsca na manipulację przewodem bez konieczności przeciągania pętli kablowych po podłożu. W razie potrzeby można uruchomić hamulec cierny w celu spowolnienia wsuwanego przewodu.

Użytkowanie bębna w pozycji poziomej zwiększy powierzchnię pomiędzy stopami. Dzięki temu bęben będzie bardziej stabilny na nierównym podłożu i zmniejszy się jego wysokość, co stanowi ogromną zaletę w zamkniętych pomieszczeniach.





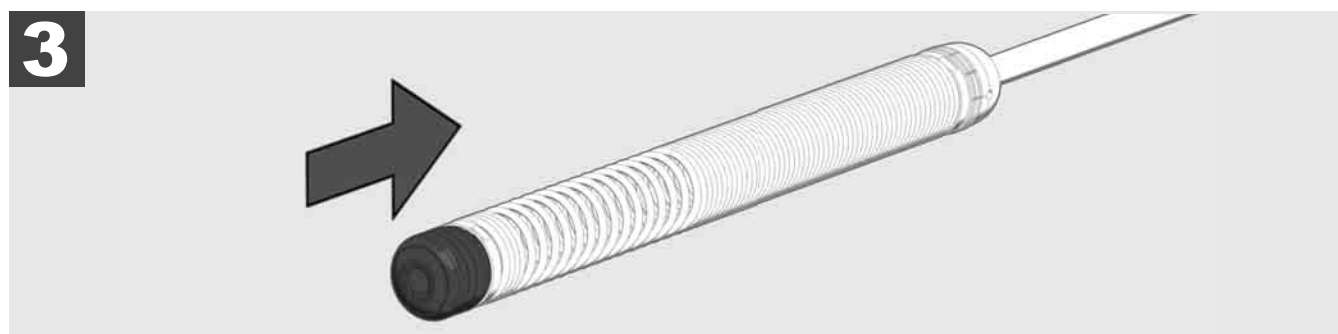
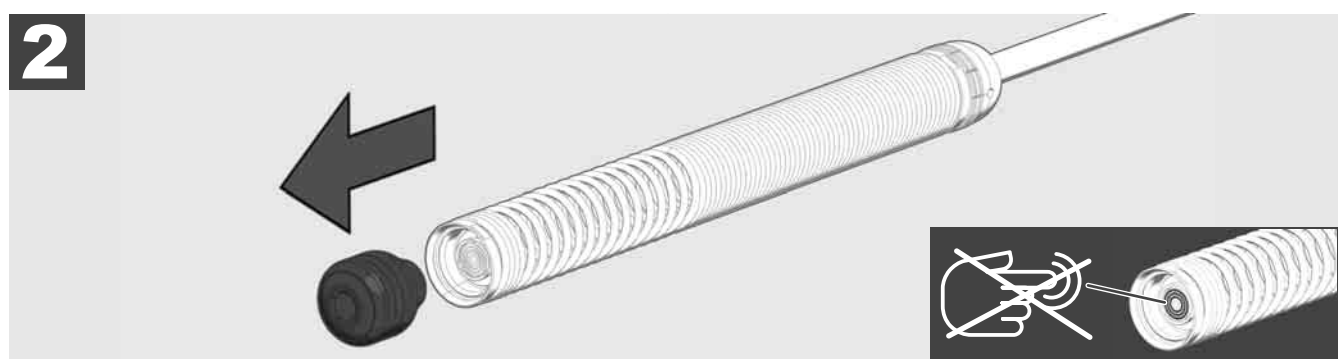
### 3.8 Zespół głowicy kamery



Jeśli to możliwe, nie należy dotykać gołymi rękami zielonej płytki drukowanej ani złotych styków przy zespole sprężyny lub głowicy kamery. W przeciwnym razie na elementy te przeniesie się warstwa tłuszczu z palców, co może prowadzić do ich przedwczesnej korozji. W miarę możliwości należy zakładać czyste i suche rękawice gumowe.

Przed zdjęciem głowicy kamery należy ją wytrzeć do sucha i usunąć wszelkie zabrudzenia, które mogą dostać się w miejsce, gdzie znajdują się złącza kamery.

Nie dokręcaj zbyt mocno i nie używaj nadmiernej siły!



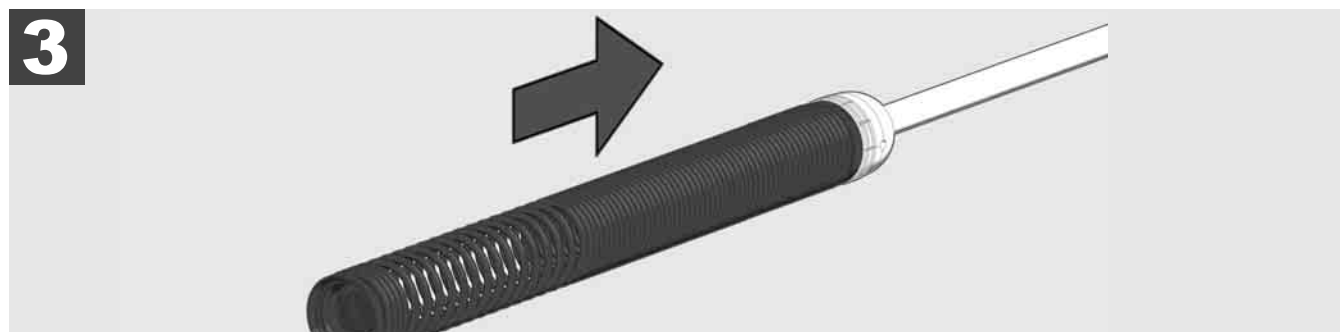
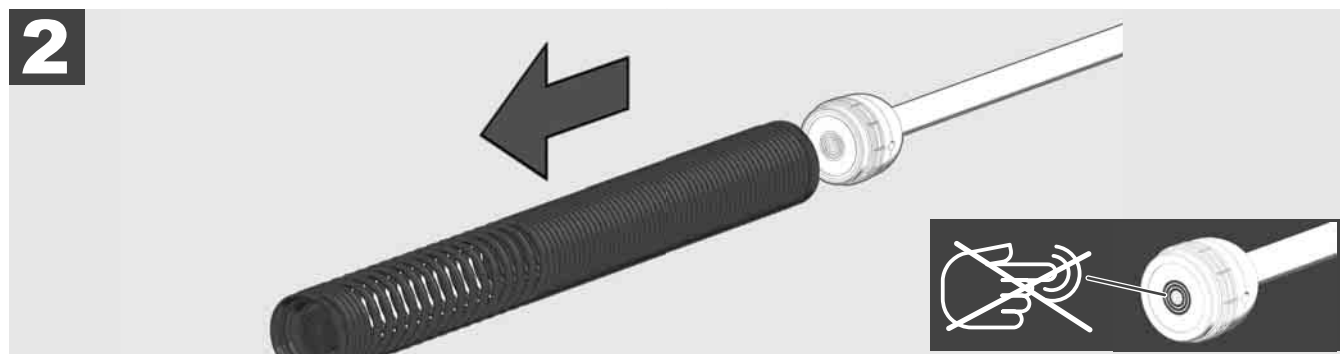
### 3.9 Zespół sprężyny



Jeśli to możliwe, nie należy dotykać gołymi rękami zielonej płytki obwodu drukowanego ani złotych styków przy zespole sprężyny oraz głowicy kamery. W przeciwnym razie na elementy te przeniesie się warstwa tłuszczu z palców, co może prowadzić do ich przedwczesnej korozji. W miarę możliwości należy zakładać czyste i suche rękawice gumowe.

Przed zdjęciem głowicy kamery należy ją wytrzeć do sucha i usunąć wszelkie zabrudzenia, które mogą dostać się w miejsce, gdzie znajdują się złącza kamery.

Nie dokręcaj zbyt mocno i nie używaj nadmiernej siły!



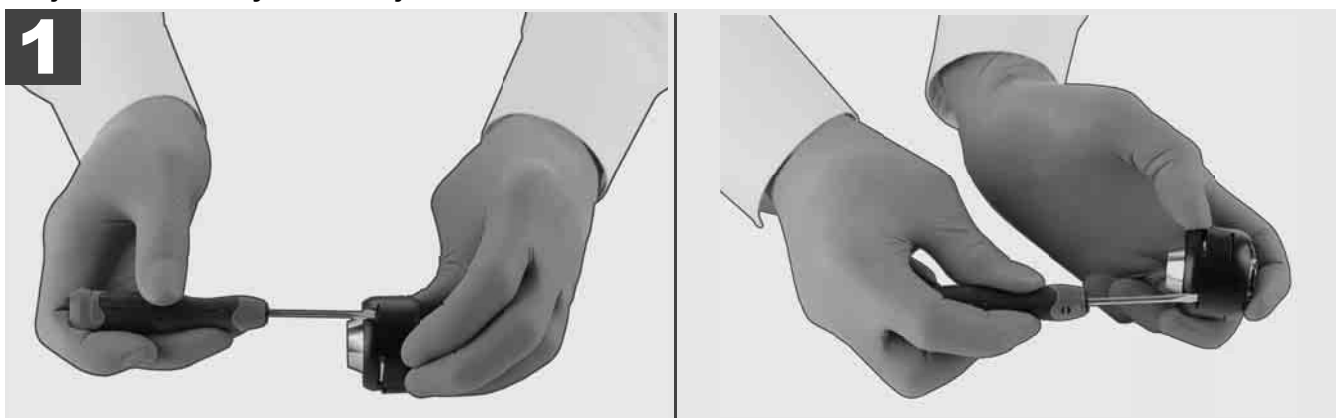
### 3.10 Osłona ochronna kamery

Osłony ochronne – odpowiednie dla głowic kamer o średnicy 25 mm lub 34 mm. Te osłony ochronne są dostarczane ze wszystkimi BĘBNAMI INSPEKCYJNYMI RUR lub zapasowymi głowicami kamer.

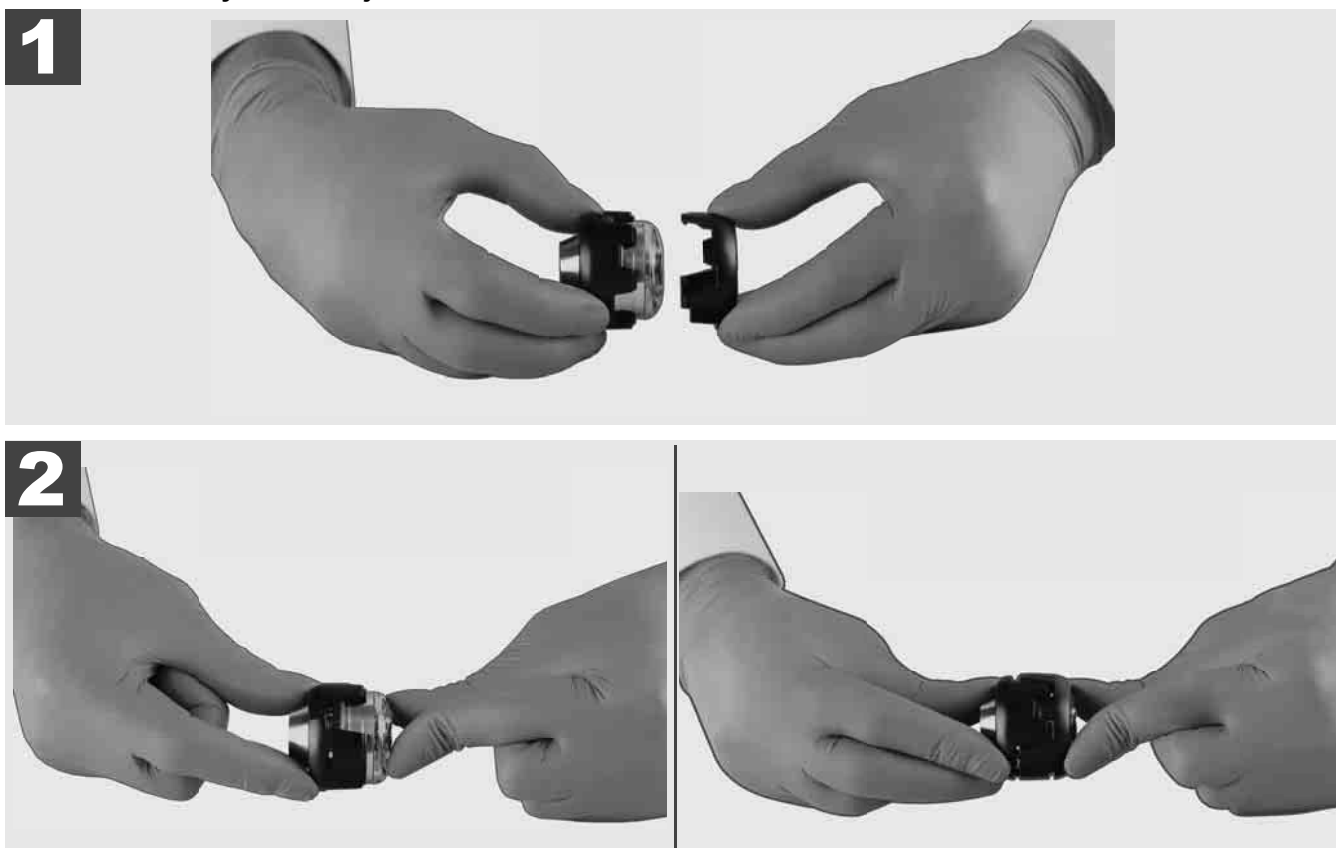
Prowadnice – są umieszczone na zespole sprężyn, dzięki czemu głowica kamery przesuwa się po podłożu i nie wchodzi w bezpośredni kontakt z rurą.



#### Zdejmowanie osłony ochronnej



#### Zakładanie osłony ochronnej



### 3.11 Prowadnice kamery



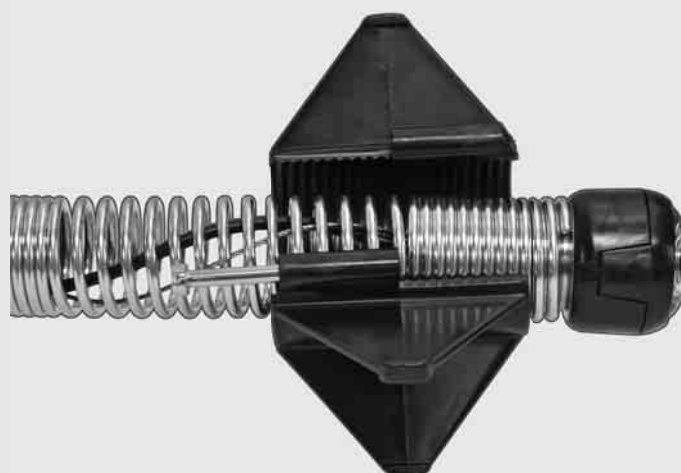
Dla głowicy kamery o szerokości 25 mm i 34 mm dostępne są dwie prowadnice: wersja mała o długości 75 mm oraz wersja średnia o długości 100 mm.

Prowadnica kamery 25 mm

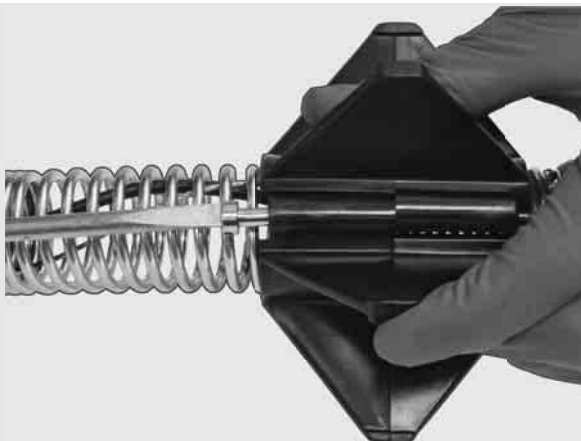
Prowadnica kamery 34 mm



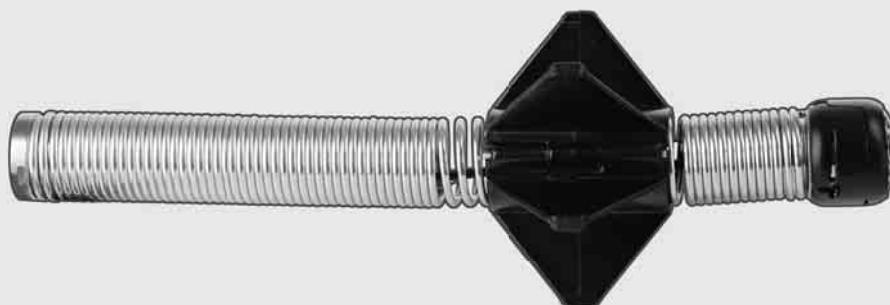
**1**



**2**



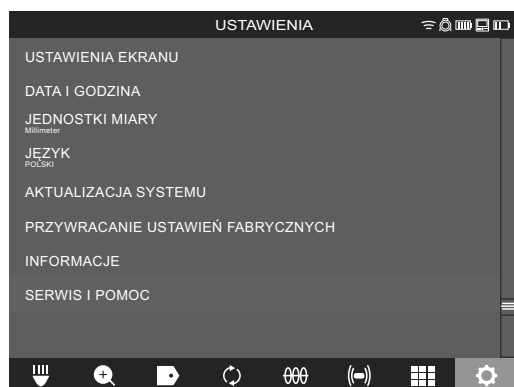
**3**



### 3.12 Serwis i pomoc


Jeśli Twój SYSTEM INSPEKCYJNY RUR wymaga naprawy, wejdź na stronę serwisową firmy Milwaukee i kliknij w zakładkę SERWIS I POMOC, pod którą znajdziesz wszystkie istotne numery telefonów.

Wybierz **USTAWIENIA**  → **SERWIS I POMOC**




**Milwaukee**  
Nothing but **HEAVY DUTY**®

click →



**M18 SIC36**  
**M18 SIC60**  
**M18 SISH**

click →



**M18 SIM**

click

1	Általános útmutatások.....	2
1.1	Csővizsgáló rendszerekre vonatkozó speciális biztonsági előírások.....	2
1.2	További biztonsági és munkavégzési utasítások.....	2
1.3	Műszaki adatok.....	3
1.4	Rendeltetésszerű használat.....	3
1.5	Rádiófrekvenciára vonatkozó követelmények európai telepítések esetén.....	3
1.6	EK-Megfelelőségi nyilatkozat.....	4
1.7	ONE-KEY™.....	4
1.8	Akkuk.....	4
1.9	Lítium-ion akkuk szállítása.....	4
1.10	Karbantartás.....	4
1.11	Szimbólumok.....	5
2	M18 SISH Smart Hub.....	6
2.1	Az M18 SISH Smart Hub áttekintése.....	6
2.2	Az akku behelyezése és eltávolítása.....	7
2.3	Akkumulátor töltöttségi állapot ellenőrzése.....	8
2.4	Az M18 SISH Smart Hub behelyezése.....	9
2.5	Az M18 SISH Smart Hub eltávolítása.....	10
2.6	Be/ki kapcsoló.....	11
2.7	Monitor csatlakoztatása.....	12
2.8	USB portok.....	13
2.9	Földelőrúd.....	14
2.10	A hosszúságszámláló visszaállítása.....	15
2.11	Kamera-tesztcsatlakozó.....	16
2.12	A belső meghajtó és az USB stick formázása.....	17
2.13	Gyári beállítások.....	18
2.14	Rendszerfrissítés.....	19
3	CSŐVIZSGÁLÓ DOBOK.....	21
3.1	Az M18 SIC36 csővizsgáló dob áttekintése.....	21
3.2	Az M18 SIC60 csővizsgáló dob áttekintése.....	22
3.3	A hordszerkezet felszerelése.....	23
3.4	A hordszerkezet eltávolítása.....	24
3.5	Az M18 SIM vezeték nélküli monitor felszerelése.....	25
3.6	Az M18 SIM vezeték nélküli monitor beállítása.....	26
3.7	A csővizsgáló dob használata.....	27
3.8	Kamerafej egység.....	28
3.9	Rugós egység.....	29
3.10	Kamera-védőburkolat.....	30
3.11	Kameravezetők.....	31
3.12	Szerviz és támogatás.....	32

## 1.1 Csővizsgáló rendszerekre vonatkozó speciális biztonsági előírások

Csövekben végzett munkák esetén ügyelni kell arra, hogy azok ne álljanak feszültség alatt és ne legyenek elektromosan feltöltödvé. A csövek nem tartalmazhatnak folyadékot. A kamera és a készülék nem érintkezhet folyadékkal.

A kamera és a kábel nem érintkezhet olajjal, gázzal vagy más korródáló hatású anyagokkal.

A robbanás, elektromos áramütés és a dologi károk kockázatának csökkentése érdekében minden munkavégzés előtt ellenőrizze a munkaterületet. A kábel nem érintkezhet elektromos alkatrészekkel, vegyszerekkel vagy mozgó alkatrészekkel.

Annak érdekében, hogy a készülék károsodásának kockázatát csökkentse, ne alkalmazzon túlzott erőt, és ne törje meg a kábelt. Ne használja a vizsgálókamerát és a kábelt olyan helyen, ahol maró vagy olajos anyagokkal érintkezhetnek.

Ne használja a kábelt dugulások vagy akadályok elhárítására. Ez nem csőtisztító!

Ha a megvizsgálandó lefolyócső vegyszereket, baktériumokat vagy más mérgező anyagokat, ill. kórokozókat tartalmazhat, akkor használjon a gyártó által javasolt védőkesztyűk közül latex- vagy gumikesztyűt, valamint védőszemüveget, arcvédőt, védőruházatot és légzésvédő maszkot. A csővezetékek vegyszereket, baktériumokat vagy más olyan anyagokat tartalmazhatnak, amelyek mérgezőek vagy fertőzésveszélyesek lehetnek, égési sérüléseket vagy más súlyos sérüléseket okozhatnak.

Tartsa be a higiéniai előírásokat. Ne egyen és ne dohányozzon, miközben a készüléket használja. A csővizsgáló rendszer kezelését vagy használatát követően meleg vízzel és szappannal mosson kezet, ill. mossa meg azon egyéb testrészeit, amelyek a cső tartalmával érintkeztek. Így elkerülheti a mérgező vagy fertőző anyagokkal való érintkezésből adódó egészségügyi kockázatokat.

Használat előtt ellenőrizze a kábelt kopás és sérülések tekintetében. Cserélje ki az elkopott vagy sérült kábelt a készülék használata előtt.

**VIGYÁZAT!** A csővizsgáló rendszer a hátoldalán található hordszerkezettel történő szállításakor elővigyázatosság szükséges. Elveszítheti az egyensúlyát.

Mindig meggondoltan és óvatosan használja a készüléket. Lehetetlen minden veszélyhelyzetet előre látni. Ne használja a készüléket, ha nem érti a jelen útmutatót, vagy ha úgy érzi, hogy az elvégzendő munka túlzott követelmények elé állítja. További információkért vagy oktatásért forduljon a Milwaukee-hoz vagy szakképzett szakemberhez.

Ne távolítsa el a címkéket és típusablákat. Ezek a jelzések fontos információkat tartalmaznak. Ha ezek a címkék már nem olvashatók vagy hiányoznak, forduljon a MILWAUKEE ügyfélszolgálatához az ingyenes pótlás érdekében.

A csiszoló-, fűrész- és fúrógépek és egyéb építési tevékenységek által okozott némely porok olyan vegyi anyagokat tartalmazhatnak, melyek rákkeltőek, születési rendellenességeket okoznak vagy hátrányosan befolyásolják a szaporodási képességet. Példák az ilyen jellegű vegyi anyagokra:

- az ólom bázisú festékekből származó ólom,
- a téglából, cementből vagy más falazási termékekből származó kristályos szilícium-dioxid, valamint
- a vegyileg kezelt építési faanyagból származó arzén vagy króm.

Az expozíciós kockázat attól függ, hogy milyen gyakran végeznek ilyen jellegű tevékenységeket. Az expozíciós kockázat lehető legalacsonyabban mértéken tartásához mindig jól szellőztetett helyen dolgozzon. Használjon hivatalosan engedélyezett védőfelszerelést, például mikroszűrővel felszerelt porvédő maszkot.

## 1.2 További biztonsági és munkavégzési utasítások

Ne cseréljen akkut, ha a szerszám felülete nedves.

A használt akkukat ne égesse el vagy ne dobja a háztartási hulladékba. A Milwaukee-szakkereskedők a régi akku környezetbarát ártalmatlanítását kínálják.

Az akkukat ne tárolja együtt fém tárgyakkal együtt (rövidzárlat veszélye).

Az M18 rendszer akkuit csak az M18 rendszer töltőivel töltsé. Ne használja más rendszer akkuit,

Szélsőséges terhelésnél vagy szélsőséges hőmérsékletnél a sérült akkuból akkufolyadék folyhat ki. Akkufolyadékkal történt érintkezés esetén az érintett területet azonnal mossa le szappanos vízzel. Szembe jutás esetén azonnal legalább 10 percen át öblítse alaposan a szemet, és haladéktalanul forduljon orvoshoz.

**Figyelmeztetés!** A rövidzárlat általi tűz, sérülések vagy termékkárosodások veszélye elkerülésére ne merítse a szerszámot, az akkut vagy a töltőkészüléket folyadékba, és gondoskodjon arról, hogy ne hatolhassanak be

folyadékok. A korrózív hatású vagy vezetőképessé folyadékok, mint pl. a sós víz, bizonyos vegyi anyagok, fehérítők vagy fehérítő tartalmú termékek, rövidzárlatot okozhatnak.

A készüléket nem kezelhetik vagy tisztíthatják csökkent testi, érzékszervi vagy szellemi képességű, ill. hiányos tapasztalatokkal vagy ismertekkel rendelkező személyek, kivéve, ha egy törvényileg a biztonságukért felelős személy eligazításban részesítette őket a készülék biztonságos használatáról. A fentnevezett személyeket felügyelni kell a készülék használatakor. A készülék nem gyermekek kezébe való. Ezért ha nem használják, akkor biztonságosan, gyermekek elől elzárva kell tárolni.

### 1.3 Műszaki adatok

	M18 SIC36	M18 SIC60	M18 SISH
Kamerakábel hossza.....	36 m.....	60 m	
Kamerafej.....	Ø 25 mm.....	Ø 34 mm	
Max. nagyítás.....	4x .....	4x	
Akkufeszültség .....			18 V
Súly a 01/2014EPTA-eljárás szerint (4.0 Ah / 12 Ah).....	12,4 kg .....	20,46 kg.....	5,37 kg
Bluetooth-frekvenciasáv (frekvenciasávok).....			2402-2480 MHz
Nagyfrekvenciás teljesítmény .....			1,8 dBm
Bluetooth-verzió .....			4.0 BT jel-mód
Ajánlott környezeti hőmérséklet munkavégzésnél .....	-18 ....	+50 °C	
Ajánlott akkutípusok .....		M18B....; M18HB....	
Ajánlott töltőkészülékek.....	M12-18C, M12-18AC, M12-18FC, M1418C6		

### 1.4 Rendeltetészerű használat

A csővizsgáló rendszer csővezetékek feltárására és vizsgálatára szolgál. A rendszer három modulból áll:

#### - M18 SIC36 vagy M18 SIC60 csővizsgáló dob

A csővizsgáló dob a tolokábel fel- és lecsévézésére, valamint vezérlésére szolgál. A dobok két méretben kaphatók: Az M18SIC36 50-150 mm átmérőjű csövekhez, az M18SIC60 modell pedig 75-250 mm átmérőjű csövekhez.

Mindkét dob tartalmaz egy rugós egységgel rendelkező tolokábelt, melyre az önszintező kamerafej van szerelve. Az M18 SIM vezeték nélküli monitor és az M18 SISH Smart Hub mindkét dobbal használható.

Mindkét dob használható egyaránt függőlegesen és vízszintesen is. Az M18 SIC36 hátoldalára rögzíthető egy hordszerkezet is, mellyel a készüléket a háton lehet hordozni.

#### - M18 SISH Smart Hub

Az M18 SISH Smart Hub a csővizsgáló rendszer vezérlésére szolgál.

Az M18 SIM vezeték nélküli monitor, vagy az a tablet, melyre a Milwaukee® csővizsgáló alkalmazás telepítve van, videofelvételek és képek fogadásához kapcsolódik a Smart Hub-ra. A videók és a képek is az M18 SISH Smart Hub belső meghajtójára tárolódnak el.

#### - M18 SIM vezeték nélküli monitor (a szállítási terjedelem nem tartalmazza; külön beszerezhető)

Az M18 SIM vezeték nélküli monitor a kamerafej által felvett videók megnézését, videók és fényképek rögzítését, valamint video- és képfájlok lejátszását teszi lehetővé. A videofelvétel közben a belső mikrofonnal rábeszélte megjegyzések rögzíthetők. A „Címkék” funkcióval szöveges megjegyzések is hozzáadhatók. A szöveges megjegyzések a rögzített videóban is megjelennek, és a dátummal, idővel és a felcsévélt kábel hosszával együtt megjelennek a fényképeken.

A készüléket csak a megadottak szerint, rendeltetészerűen szabad használni.

### 1.5 Rádiófrekvenciára vonatkozó követelmények európai telepítések esetén

Megjegyzés: A jelen készülék tesztelve lett és az EN 300 440 V2.1.1 szerint betartja a 3-as kategóriájú vevőkre vonatkozó határértékeket.

Ezeknek a határértékeknek lakóépületekben megfelelő védelmet kell nyújtaniuk rádiótechnikai zavarok ellen.

Ez a készülék reagál azon más készülékekre, amelyek 2402 és 2480 MHz közötti frekvenciatartományban bocsátanak ki rádióhullámokat. Ez által zavarok keletkezhetnek a távvezérlő használata közben. Nem zárható ki, hogy adott körülmények között zavarok nyilvánulnak meg. Annak megállapítására, hogy zavarják-e ezt a készüléket más készülékek rádiójeljei, kapcsolja ki rövid időre a többi készüléket annak ellenőrzésére, hogy a zavarok megszűnnek-e ilyenkor. Az alábbi intézkedések segíthetnek a zavarok elhárításában:

- Kapcsolja ki a zavarforrást.
- Növelje a távolságot a zavarforrástól.
- Kérje szakkereskedő, vagy képesített rádiótechnikus tanácsát.



## 1.6 EK-Megfelelőségi nyilatkozat

A Techtronic Industries GmbH igazolja, hogy az M18SISH típusú rádióberendezés megfelel a 2014/53/EU irányelvnek. Az EU-megfelelőségi nyilatkozat teljes szövege elérhető a következő internetes címen: <http://services.milwaukeetool.eu>

## 1.7 ONE-KEY™

Ha többet kíván tudni a készülék ONE-KEY funkcionálisáról, olvassa el a mellékelt gyorsindítási útmutatót, vagy keressen fel bennünket az interneten a [www.milwaukeetool.com/one-key](http://www.milwaukeetool.com/one-key) címen. Az ONE-KEY alkalmazás letölthető okostelefonjára az App Store-ból vagy a Google Play áruházból.

Ha elektrosztatikus kisülések történnek, akkor a Bluetooth-kapcsolat megszakad. Ilyen esetben manuálisan állítsa helyre a kapcsolatot.

A készülék megfelel az EN 55014-2:2015 / EN 301489-1 V2.2.3 / EN 301489-17 V3.1.1 szabványok szerinti minimális követelményeknek.

### ONE-KEY™ kijelző

Kéken világít: A vezeték nélküli kapcsolat aktív és az ONE-KEY™ alkalmazással beállítható.

Kéken villog: A készülék kommunikál az ONE-KEY™ alkalmazással.

Pirosan villog: A készülék biztonsági okokból le lett tiltva, és a kezelő az ONE-KEY™ alkalmazással oldhatja fel a tiltást.

## 1.8 Akkuk

A hosszabb ideig üzemben kívül lévő akkukat használat előtt tölteni kell.

50 °C feletti hőmérsékletnél csökkenhet az akkumulátor teljesítménye. Kerülni kell a nap vagy fűtés miatti hosszabb felmelegedést.

A töltő és az akku csatlakozóit tisztán kell tartani.

Az optimális élettartam érdekében használat után az akkut teljesen fel kell tölteni.

A lehetőleg hosszú élettartamhoz az akkut feltöltés után ki kell venni a töltőkészülékből.

Az akku 30 napot meghaladó tárolása esetén:

Az akkut 27 °C alatti hőmérsékleten, száraz helyen kell tárolni.

Az akkut kb. 30-50%-os töltöttségi állapotban kell tárolni.

Az akkut 6 havonta újra fel kell tölteni.

## 1.9 Lítium-ion akkuk szállítása

A lítium-ion akkuk a veszélyes áruk szállítására vonatkozó törvényi rendelkezések hatálya alá tartoznak.

Az ilyen akkuk szállításának a helyi, országos és nemzetközi előírások és rendelkezések betartása mellett kell történnie.

- A fogyasztók minden további nélkül szállíthatják az ilyen akkukat közúton.
- A lítium-ion akkuk szállítmányozási vállalatok általi kereskedelmi célú szállítására a veszélyes áruk szállítására vonatkozó rendelkezések érvényesek. A kiszállítás előkészítését és a szállítást kizárólag megfelelő képzettségű személyek végezhetik. A teljes folyamatnak szakmai felügyelet alatt kell történnie.

A következő pontokat kell figyelembe venni akkuk szállításakor:

- Biztosítsa, hogy a rövidzárlatok elkerülése érdekében az érintkezők védve és szigetelve legyenek.
- Ügyeljen arra, hogy az akku ne tudjon elcsúszni a csomagolásán belül.
- Tilos sérült vagy kifolyt akkukat szállítani.

További útmutatásokért forduljon szállítványozási vállalatához.

## 1.10 Karbantartás

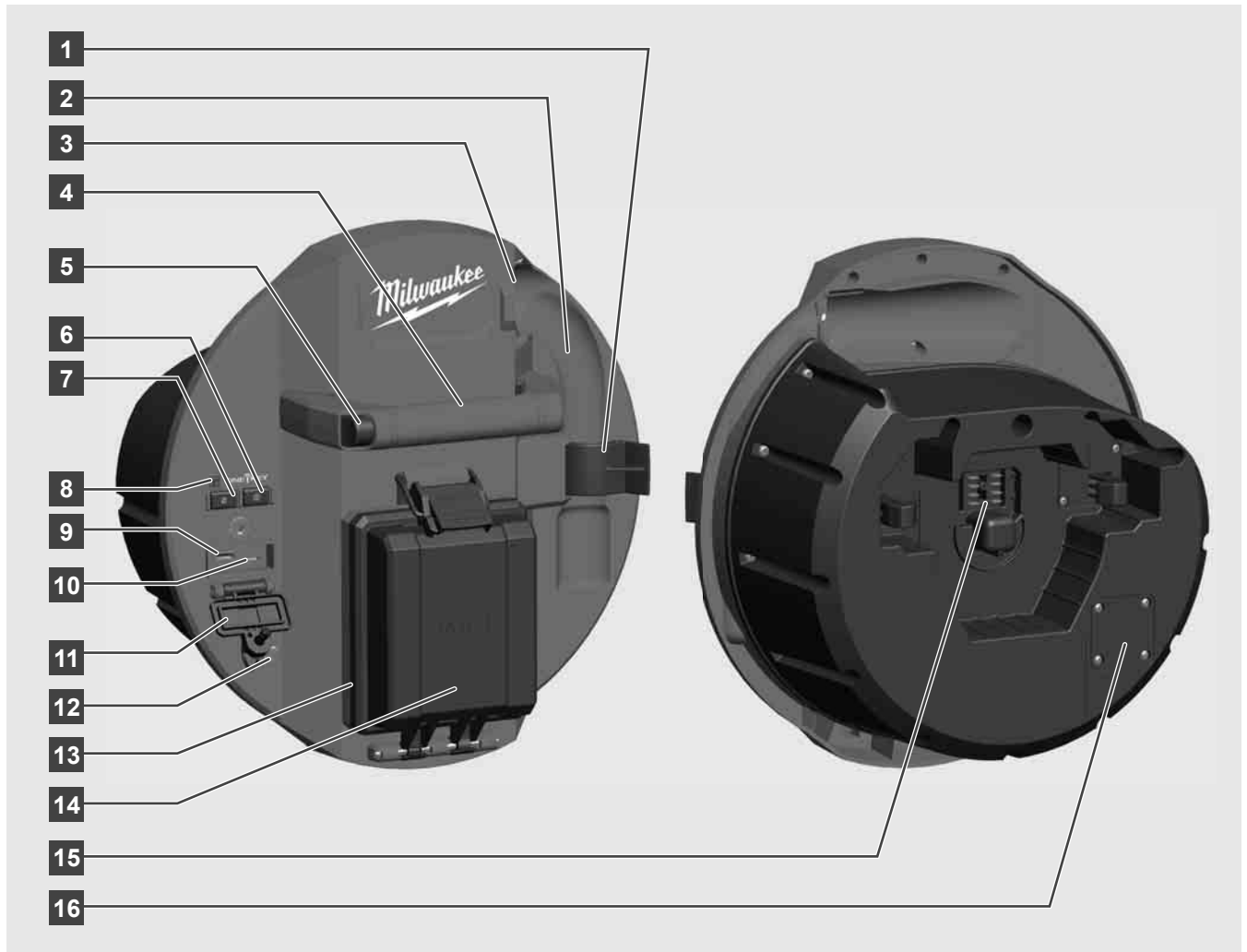
Csak Milwaukee tartozékokat és alkatrészeket szabad használni. Az olyan részegységeket, melyek cseréje nincs ismertetve, Milwaukee ügyfélszolgálati ponton cseréltesse ki (Lásd a garancia brosúrát/ügyfélszolgálati címet).

Igény esetén a készülékről robbantott rajz kérhető a készüléktípus és a teljesítménycímkén található hatjegyű szám megadásával az Ön vevőszolgálatánál, vagy közvetlenül a Techtronic Industries GmbH-től a Max-Eyth-Straße 10, 71364 Winnenden, Németország címen.

## 1.11 Szimbólumok

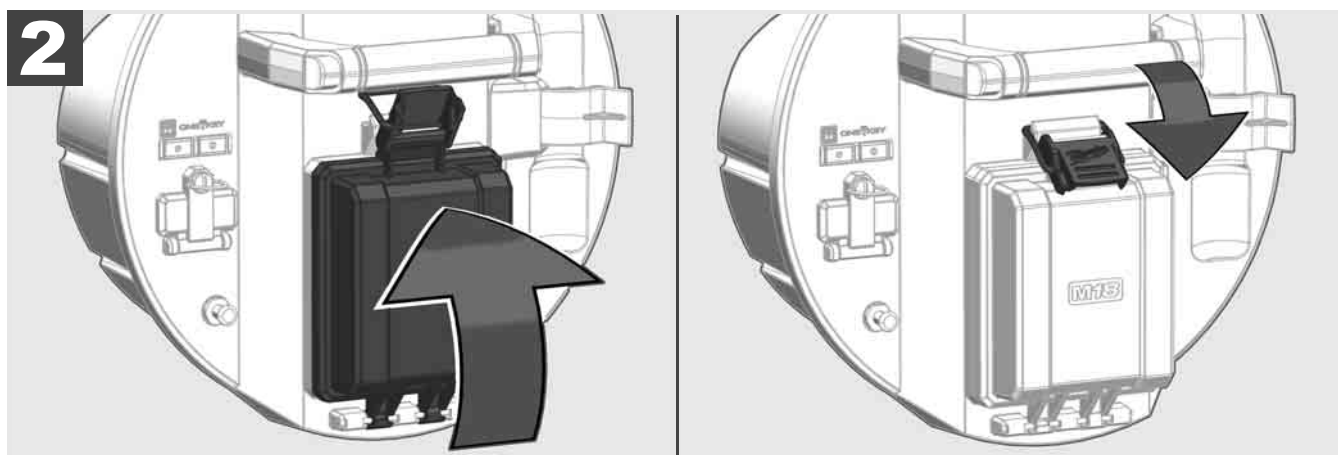
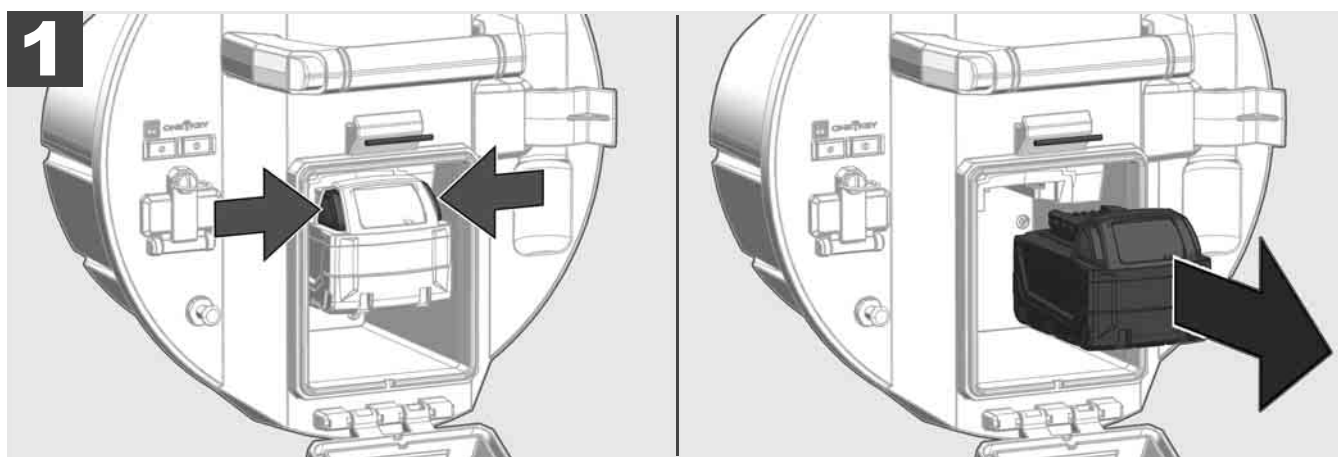
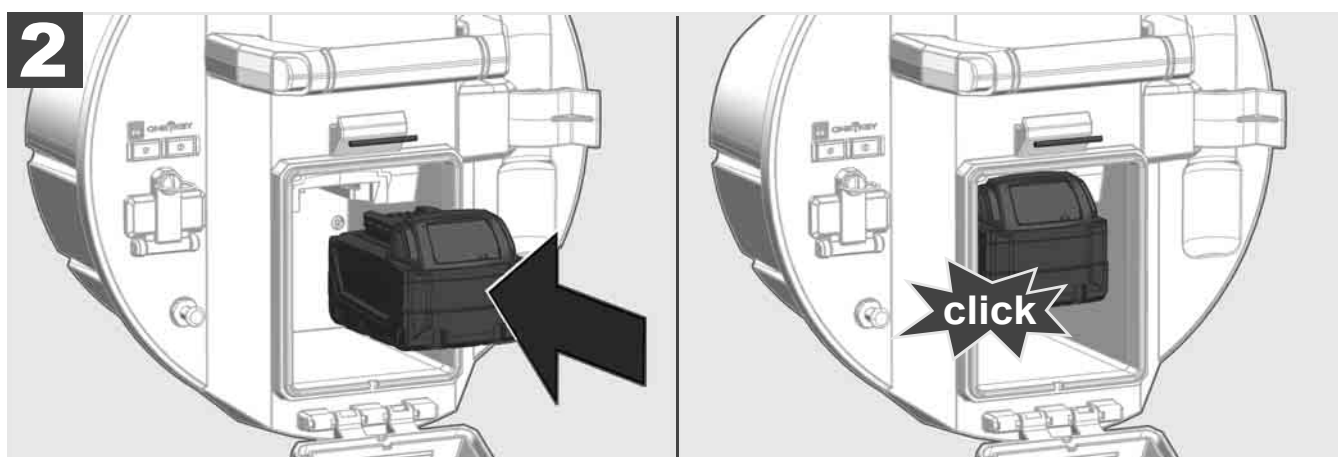
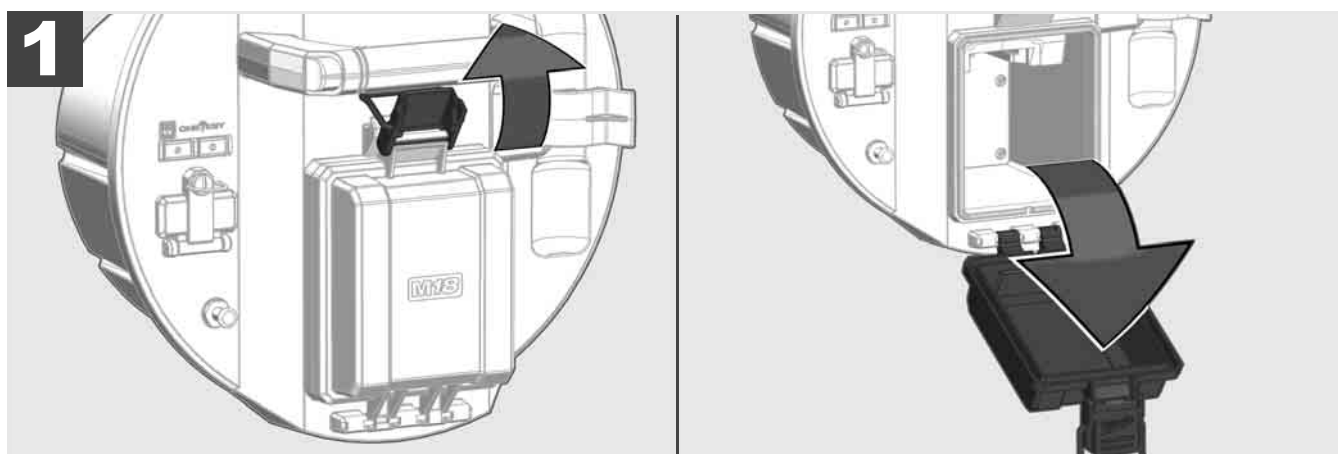
	FIGYELEM! FIGYELMEZTETÉS! VESZÉLY!
	A készüléken végzett valamennyi munkálat előtt az akkut ki kell venni.
	Kérjük, üzembe helyezés előtt figyelmesen olvassa el a használati utasítást.
	Használjon védőkesztyűt!
	A készülék használatakor mindig használjon védőszemüveget.
	Az elektromos eszközöket, elemeket/akkukat nem szabad a háztartási hulladékkal együtt ártalmatlanítani. Az ártalmatlanítani kívánt elektromos eszközöket és akkukat szelektíven kell gyűjteni, és azokat környezetbarát ártalmatlanítás céljából hulladékhasznosító üzemben kell leadni. A helyi hatóságoknál vagy szakkereskedőjénél tájékozódjon a hulladékudvarokról és gyűjtőhelyekről.
	Feszültség
	Egyenáram
	Európai megfelelőségi jelölés
	Brit megfelelőségi jel
	Ukrán megfelelőségi jelölés
	Eurázsiai megfelelőségi jelölés

### 2.1 Az M18 SISH Smart Hub áttekintése



- 1 Rugóbiztosító csat – A rugó és a kamera biztosítására a szállítás alatt.
- 2 Rugó felfogató – Szállításkor és helyszíni tároláskor megtartja a rugót és a kamerát.
- 3 Kábelvezető – A Smart Hub rögzítése előtt vezesse át a rugót és a tolókábelt a vezetőn keresztül.
- 4 Fogantyú
- 5 Kioldó gomb – A Smart Hub csővizsgáló dobról való leoldásához nyomja meg ezt a gombot.
- 6 Főkapcsoló – A készülék bekapcsolásához egyszer röviden kell lenyomni; a készülék kikapcsolásához nyomva kell tartani.
- 7 A Kábelhossz visszaállítása gomb – Lenullázza a lecsévélt kábelhossz értékét.
- 8 ONE-KEY LED kijelző
- 9 USB-A port – Videók és fotók közvetlen mentéséhez, valamint firmwarefrissítésekhez.
- 10 USB-C port – Opcionális táp- és adatcsatlakozó az M18 SIM vezeték nélküli monitor és a Smart Hub összekötéséhez.
- 11 USB csatlakozóaljzat-borítás– Vízhatalan borítás, mely megvédi az USB csatlakozókat a portól és a nedvességtől.
- 12 Földelőrúd – A Smart Hub földeléséhez a tolókábel követésekor.
- 13 Akkuborítás – Vízhatalan burkolat, mely megvédi az akkut a portól és a nedvességtől.
- 14 Akkutartó rekesz – M18™ akkuhoz
- 15 Csatlakozó a Smart Hub és a csővizsgáló dob összekötéséhez.
- 16 Kamera tesztcsatlakozó – A kamerafejjel kapcsolatos problémák elhárításához

## 2.2 Az akku behelyezése és eltávolítása



## 2.3 Akkumulátor töltöttségi állapot ellenőrzése



78-100 %



55-77 %



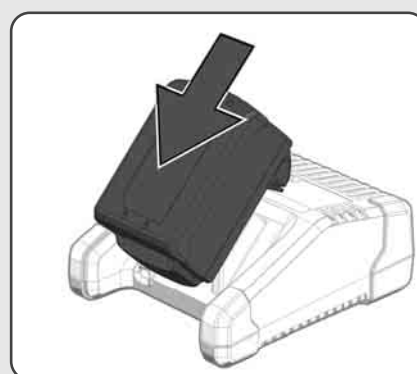
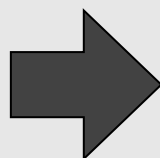
33-54 %

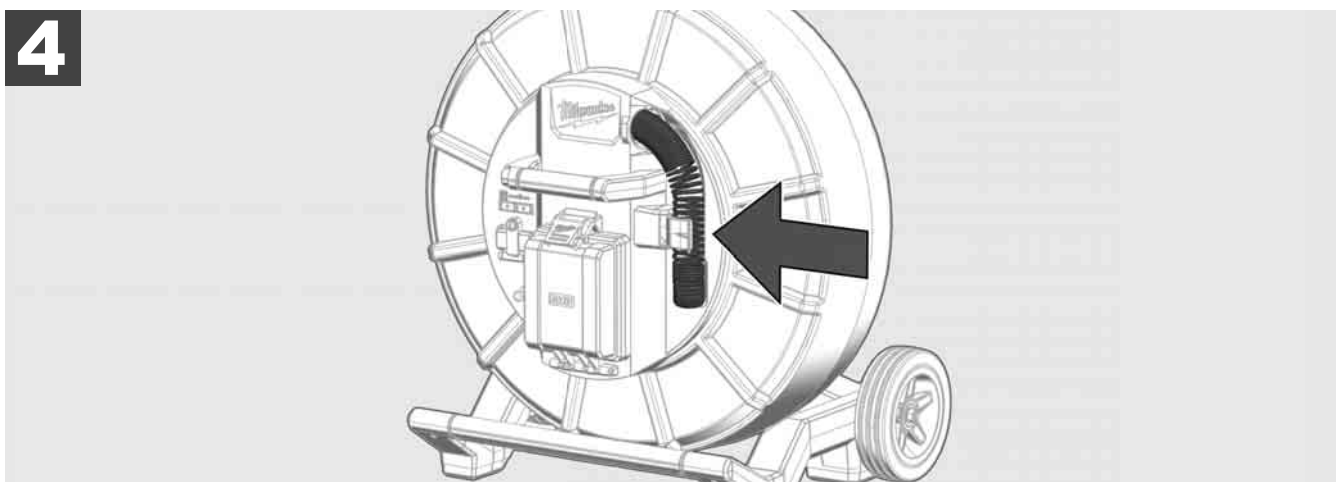
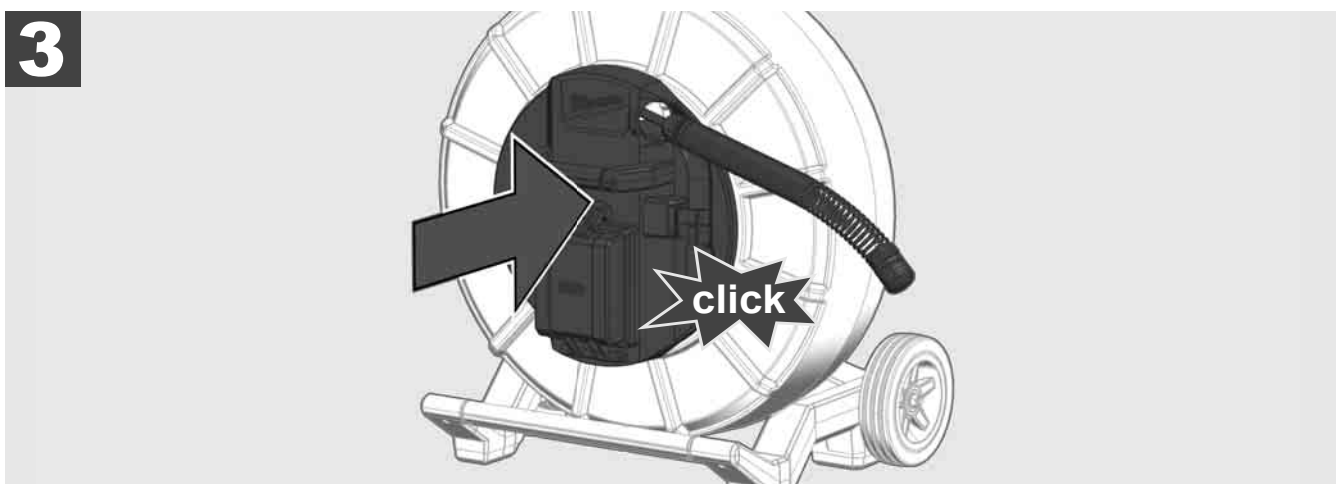
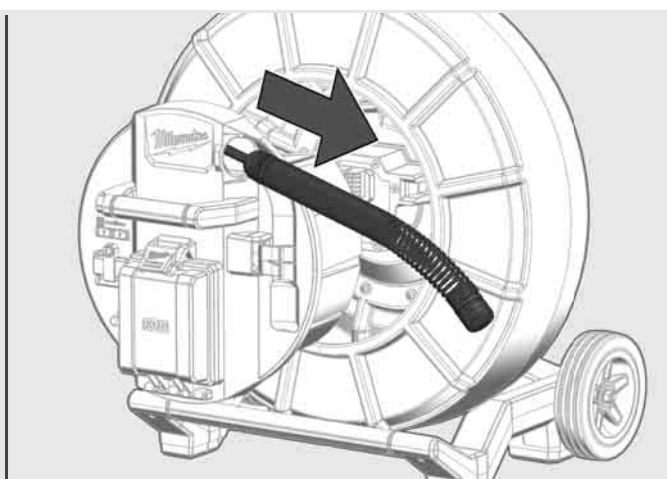
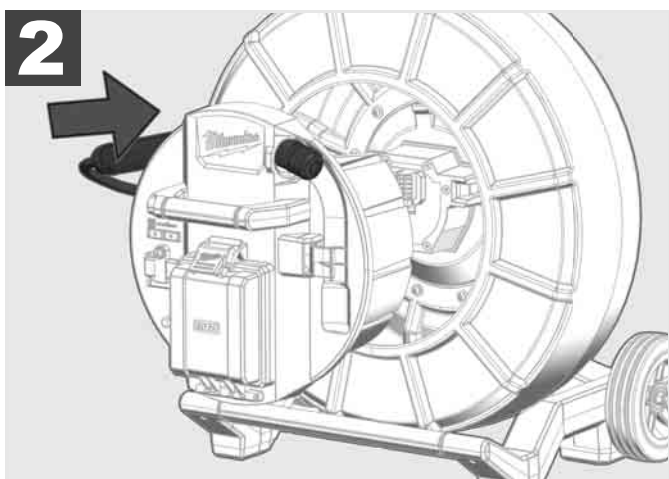
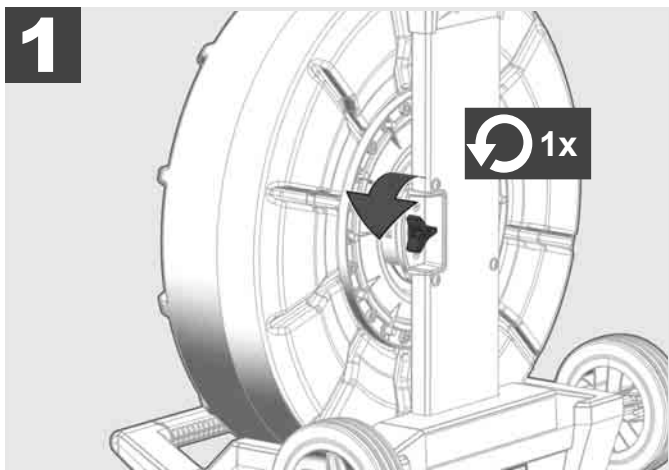


10-32 %



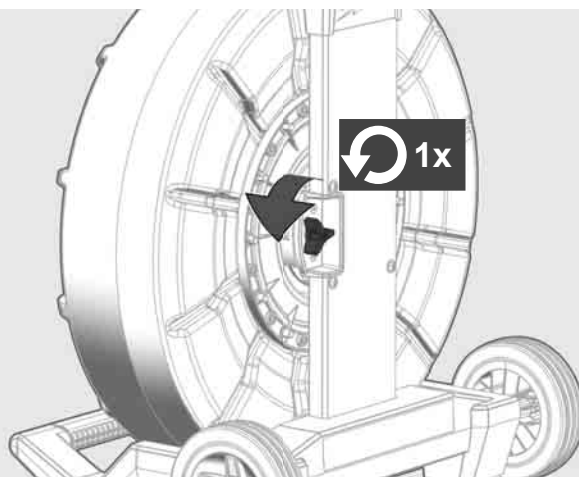
< 10 %



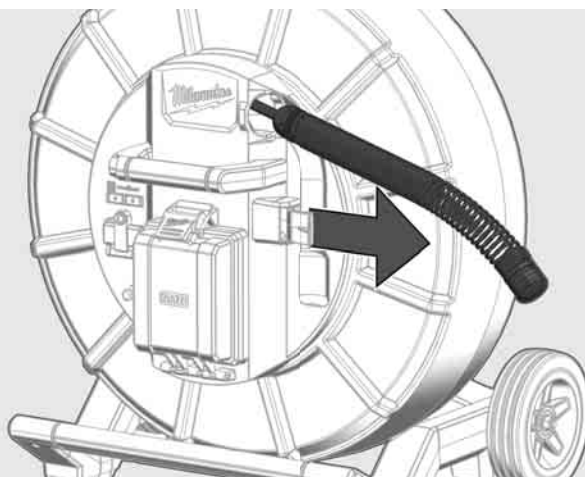




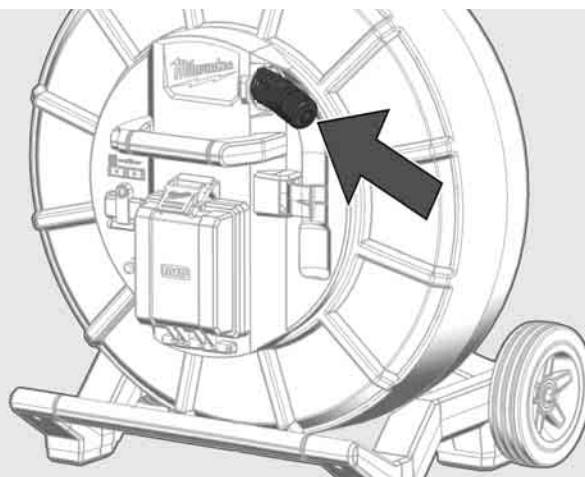
**1**



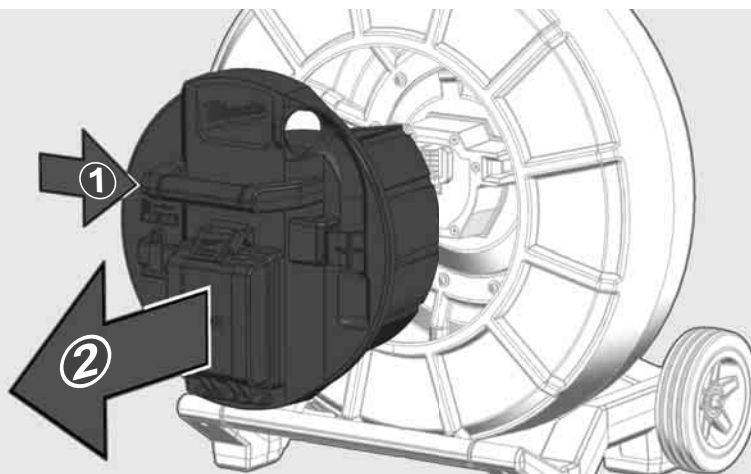
**2**



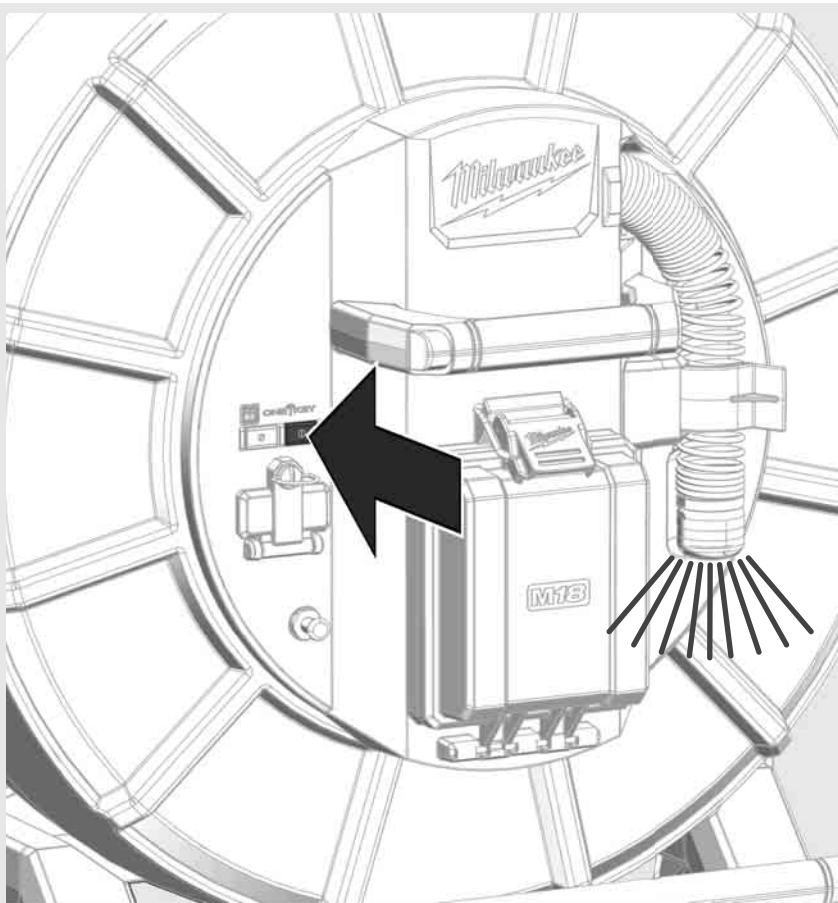
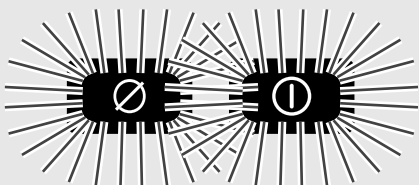
**3**



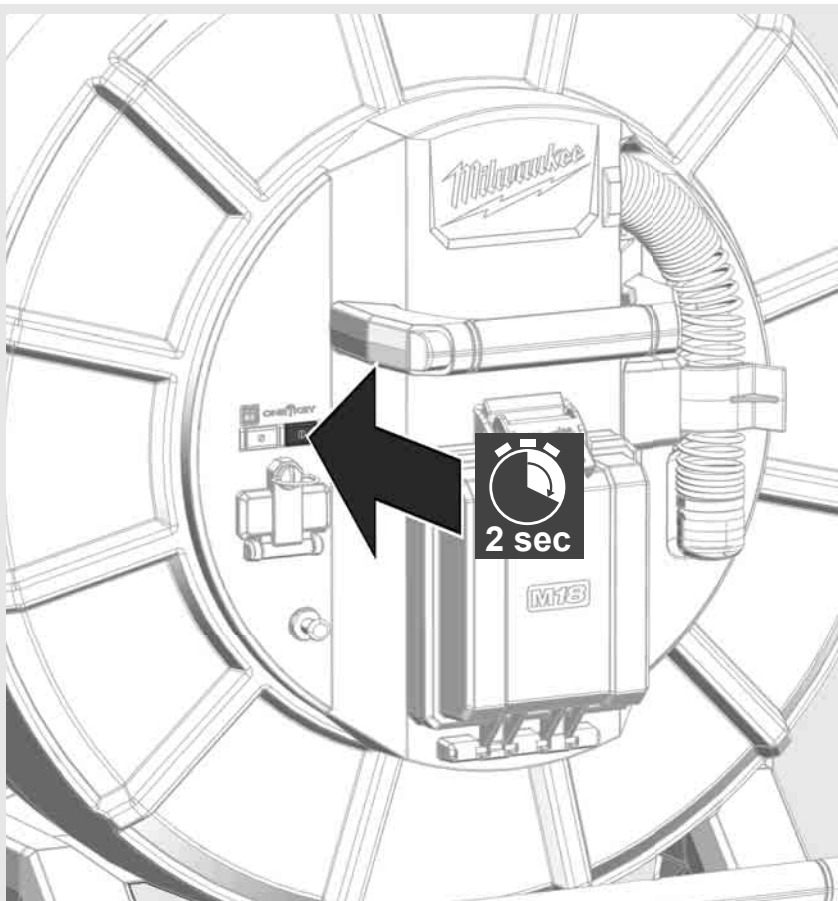
**4**



# ON



# OFF





## 2.7 Monitor csatlakoztatása

A CSŐVIZSGÁLÓ RENDSZER beállításainak módosításához, funkciói vezérléséhez, valamint a kamerával felvett képek és videók megjelenítéséhez külső kijelzőkészülék szükséges.

A CSŐVIZSGÁLÓ RENDSZER szállítási terjedelme nem tartalmazza a külső kijelzőkészüléket, és azt külön kell megvásárolni.

A következő opciók állnak rendelkezésre:

- MILWAUKEE M18 SIM VEZETÉK NÉLKÜLI MONITOR
- Tablet vagy okostelefon a MILWAUKEE CSŐVIZSGÁLÓ ALKALMAZÁSSAL

A VEZETÉK NÉLKÜLI MONITORT WLAN-on vagy USB-C porton keresztül kell a CSŐVIZSGÁLÓ RENDSZERRE csatlakoztatni és azonnal használatra kész. Tablet vagy okostelefon használata esetén először a MILWAUKEE CSŐVIZSGÁLÓ ALKALMAZÁST kell az adott készülékre telepíteni.

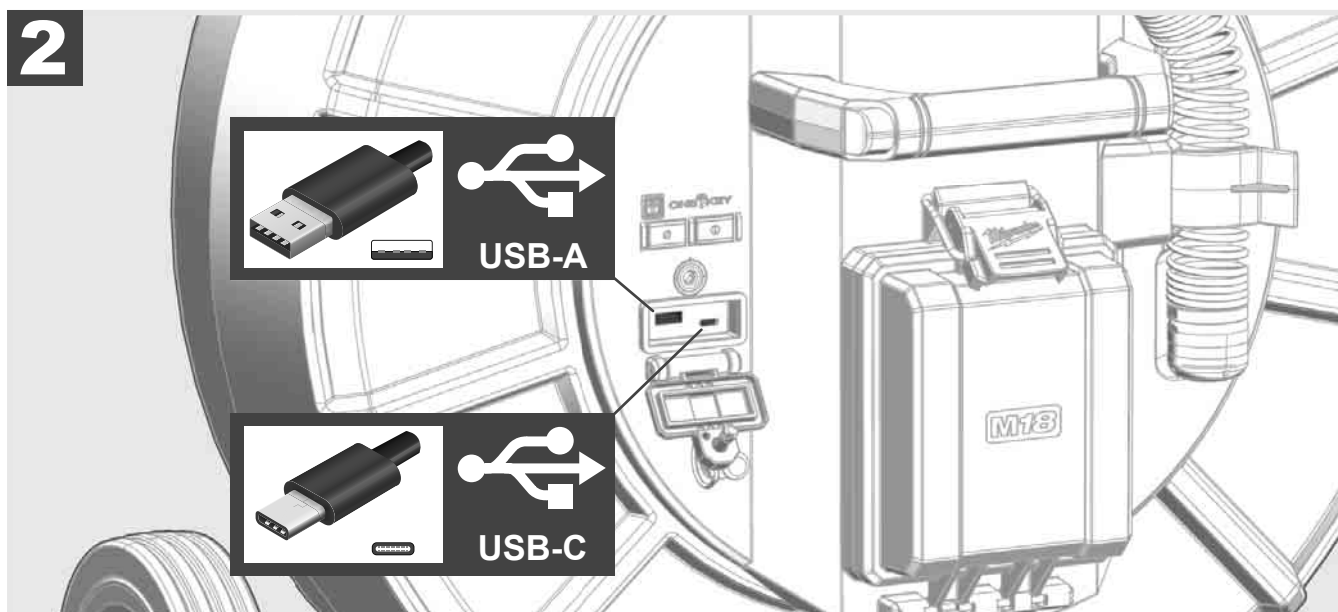
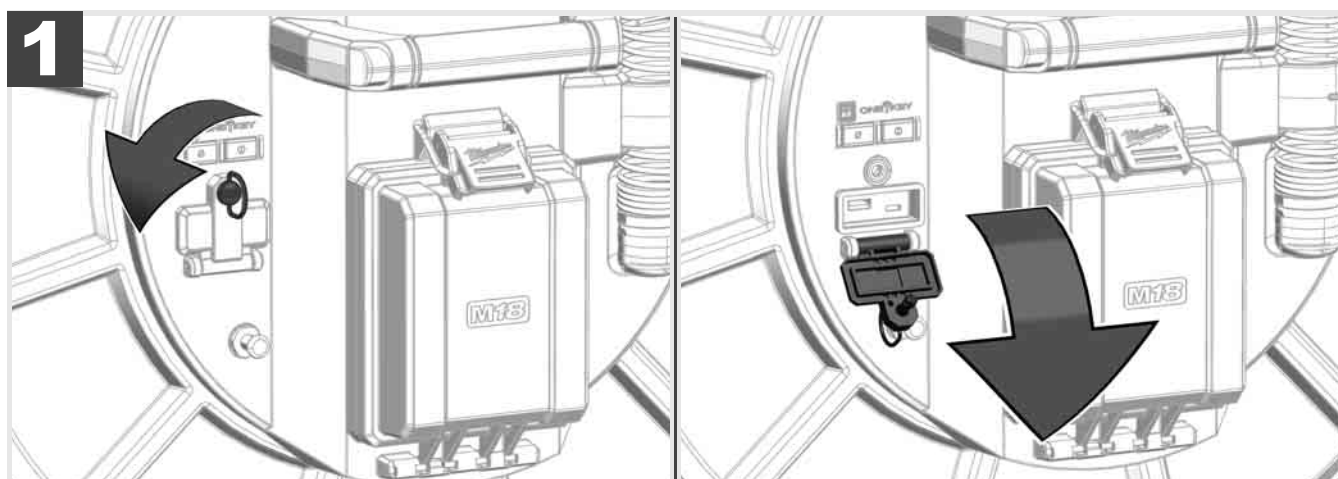
### **ELSŐ HASZNÁLAT AZ M18 SIM VEZETÉK NÉLKÜLI MONITORRAL:**

1. Kapcsolja be a SMART HUB-ot és a VEZETÉK NÉLKÜLI MONITORT.
2. A VEZETÉK NÉLKÜLI MONITOR 25 másodpercen belül automatikusan kapcsolódik a SMART HUB-hoz.

\*Kábeles összeköttetéshez a monitort az USB-C kábellel csatlakoztassa a Smart Hub-hoz.

### **ELSŐ HASZNÁLAT OKOSTELEFONNAL VAGY TABLETTEL:**

1. Töltse le és telepítse a MILWAUKEE CSŐVIZSGÁLÓ ALKALMAZÁST.
2. Kapcsolja be a SMART HUB-ot és a kijelzőkészüléket.
3. Válassza a Beállítások > WLAN opciót.
4. Válassza ki a MTCAM\_[LAST 9 DIGITS OF HUB SERIAL #] opciót.
5. Írja be a jelszót: 29702000
6. Indítsa el a MILWAUKEE CSŐVIZSGÁLÓ ALKALMAZÁST.

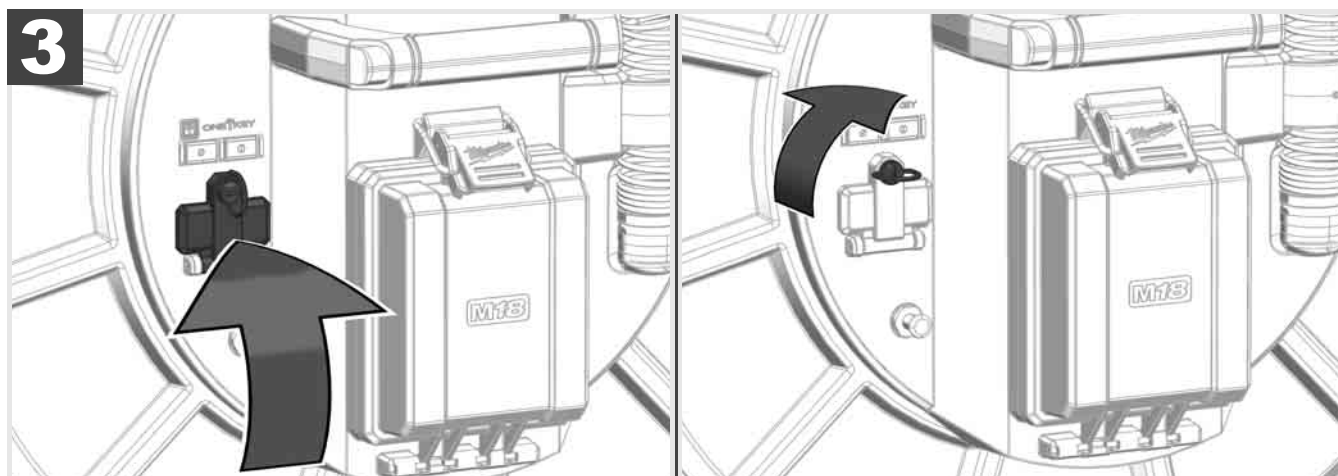


### USB-A

- Normál használatra való port. Video- és képfájlok, közvetlen rögzítését, ill. azok átvitelét teszi lehetővé a Smart Hub belső meghajtójáról.
- Firmwarefrissítések elvégzését teszi lehetővé a Smart Hub-on.

### USB-C

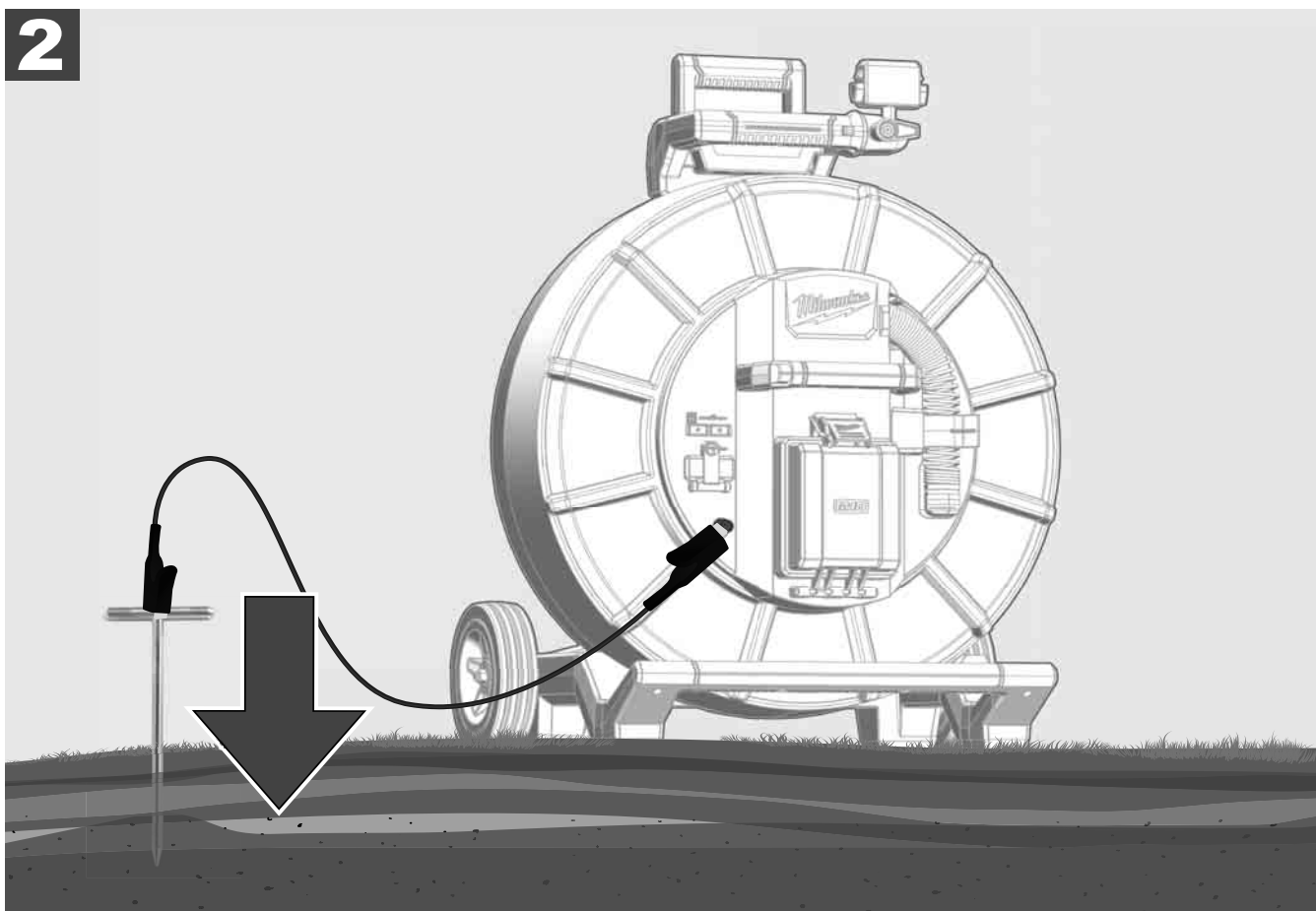
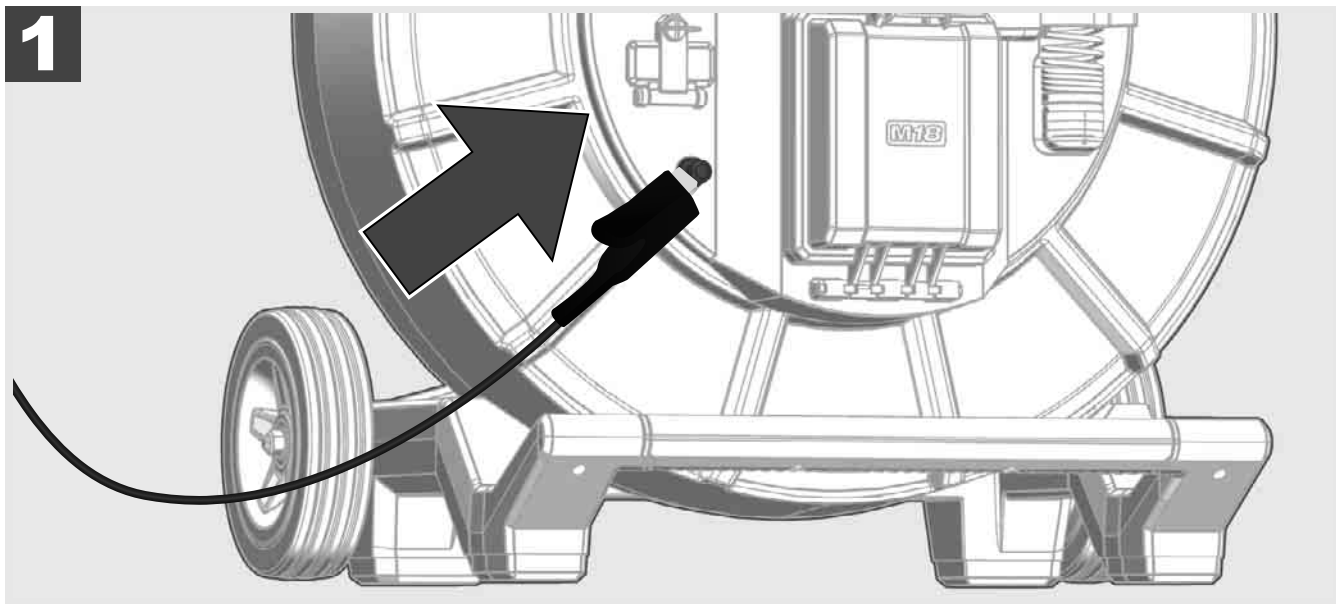
- Az M18 SIM vezeték nélküli monitor és a Smart Hub közötti összeköttetést teszi lehetővé WLAN-kapcsolat nélkül.
- A Smart Hub áramellátása az M18 SIM vezeték nélküli monitoron keresztül, ha az akku nincs feltöltve.



## 2.9 Földelőrúd




A földelőrudat mindig akkor kell használni, ha a tolokábel követése a KÁBELKÖVETÉS funkcióval történik. A Smart Hub-ot földelni kell, hogy az áramhurok zárva legyen, és jó helymeghatározásijel-küldés valósuljon meg. A Smart Hub földeléséhez használja a mellékelt földelőkábelt a földelőrúddal együtt.

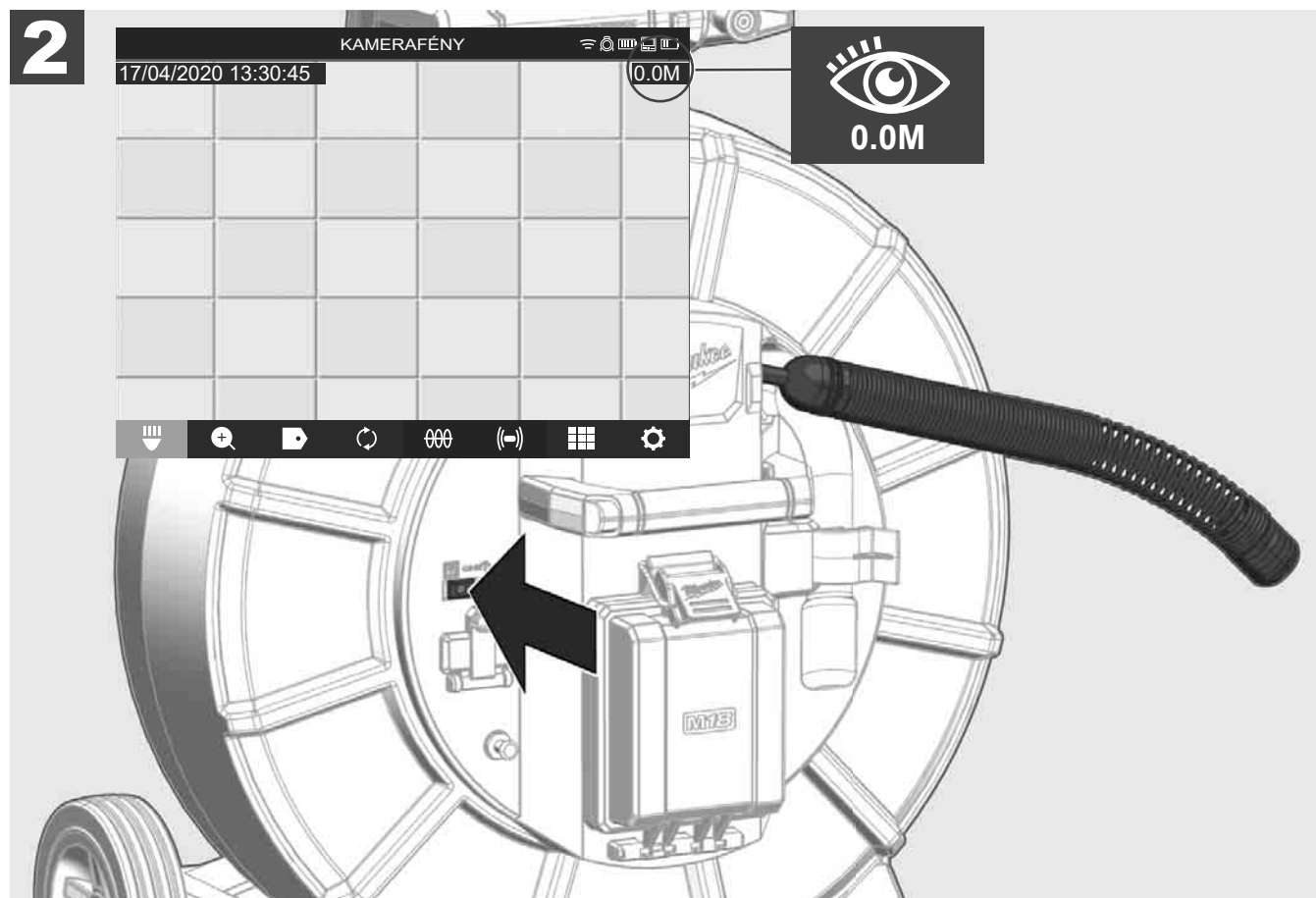
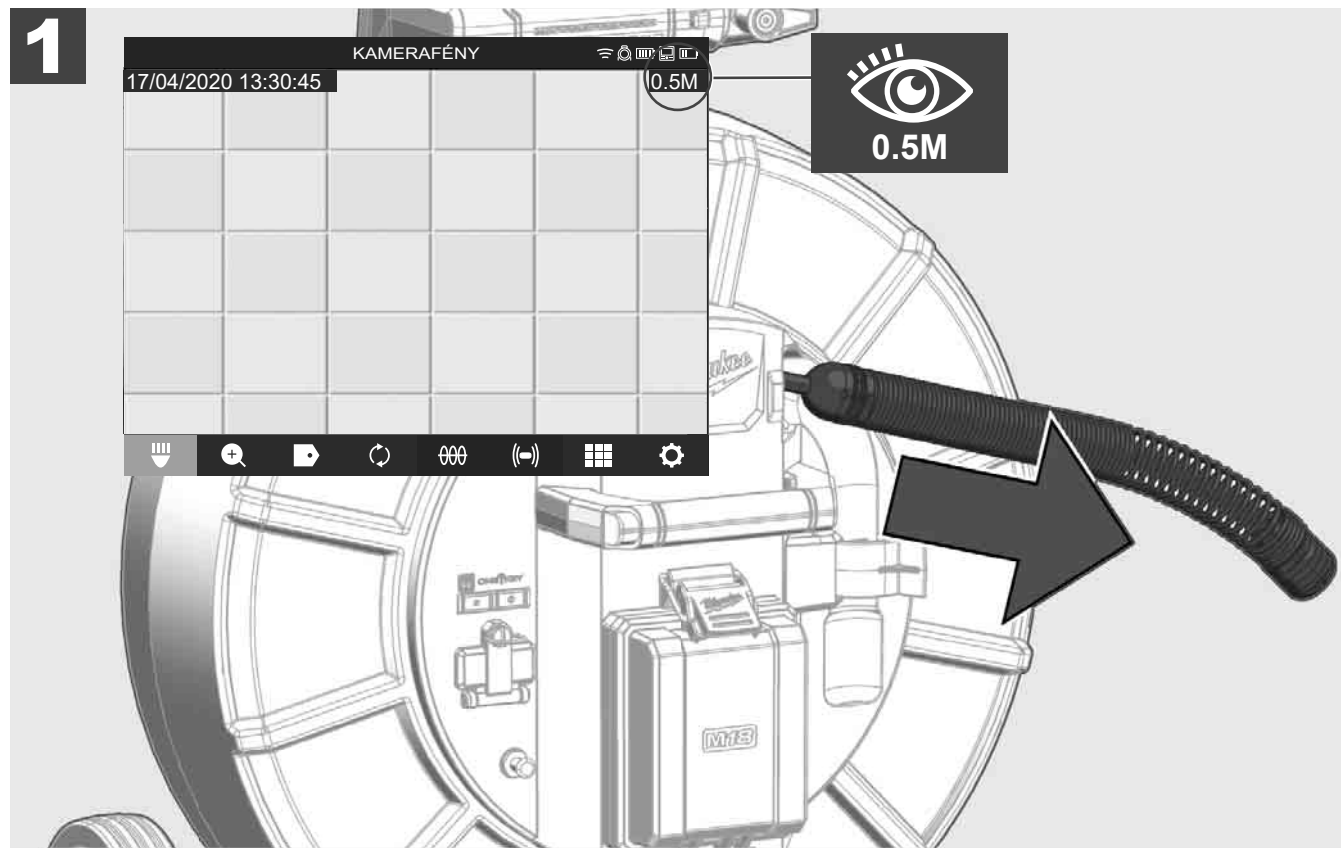


## 2.10 A hosszúságszámláló visszaállítása



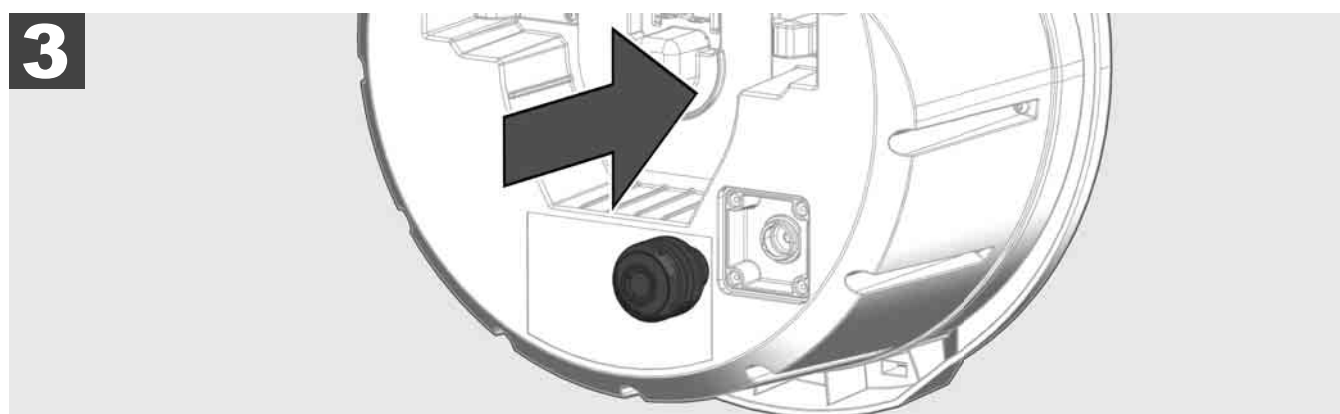
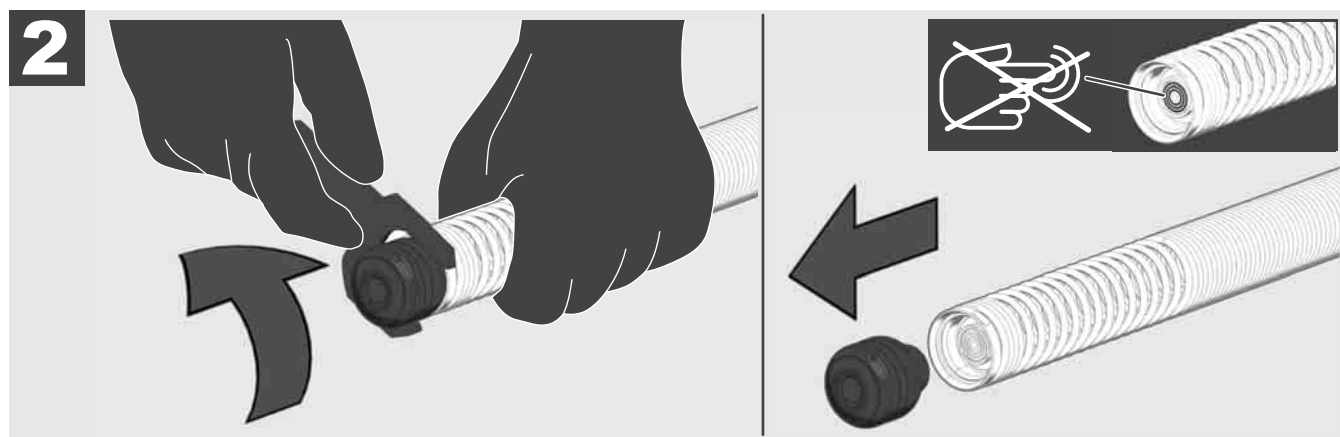
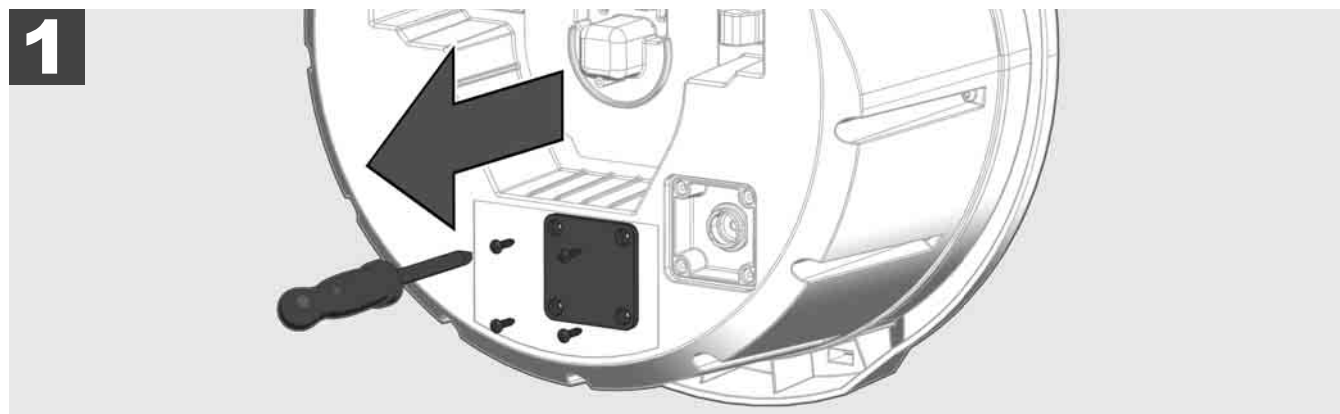
A CSŐVIZSGÁLÓ DOB lecsévélésekor a lecsévélt kábel hossza az M18 SIM vezeték nélküli monitor állapotsorán jelenik meg.

A kijelzés nullázásához nyomja meg a  gombot.



## 2.11 Kamera-tesztcsatlakozó


Ha problémák adódnak a kamerafejvel, akkor a kamerát a tesztcsatlakozón keresztül lehet ellenőrizni.

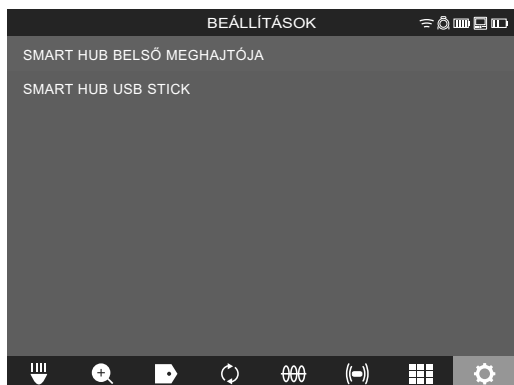


## 2.12 A belső meghajtó és az USB stick formázása

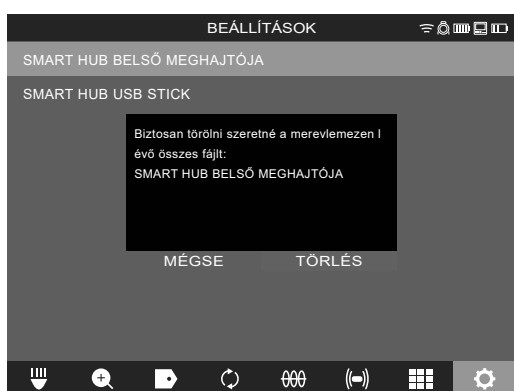
Ezzel a funkcióval megformázható a Smart Hub 500 GB-os belső meghajtója vagy az USB stick.

Az USB stickeknek FAT32 formátumúnak kell lenniük.

1. Válassza ki a **BEÁLLÍTÁSOK**  → **MEMÓRIA FORMÁZÁSA** lehetőséget.
2. Válassza ki a memóriát.



3. Erősítse meg az üzenetet a képernyőn.




A kiválasztott meghajtó formázásra kerül, és a rendszer visszavált a **BEÁLLÍTÁSOK** menüre.

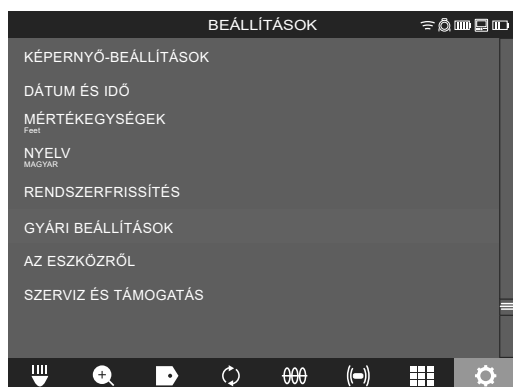
## 2.13 Gyári beállítások

A gyári beállítások funkció kiválasztásával az M18 SISH Smart Hub visszaáll a gyárilag beállított értékekre.

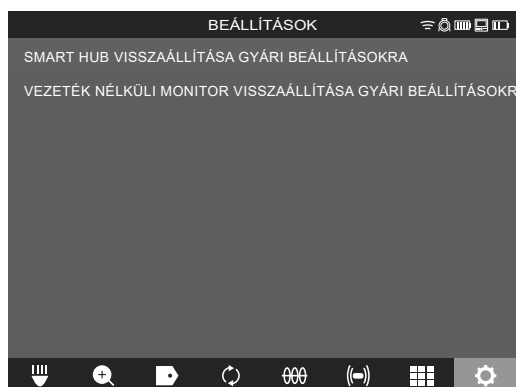
Az M18 SISH Smart Hub következő beállításai állítódnak vissza:

- A CÍMKÉK törlődnek.
- A VIDEO- és KÉP-beállítások visszaállnak 1080 P beállításra.
- A CÉGNÉV törlődik.
- A SZONDAFREKVENCIA visszaáll a gyári beállításra.
- A KÁBELKÖVETÉS visszaáll a gyári beállításra.
- A KÉPERNYŐ-BEÁLLÍTÁSOK visszaállnak a gyári beállításra: színárnyalat, fényerő, kontraszt, telítettség.
- MÉRTÉKEGYSÉGEK

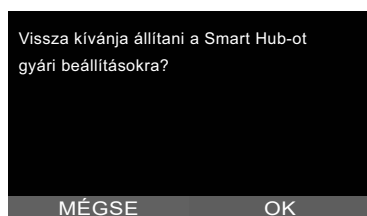
1. Válassza ki a **BEÁLLÍTÁSOK**  → **GYÁRI BEÁLLÍTÁSOK** lehetőséget.



2. Válassza ki a **GYÁRI BEÁLLÍTÁSOK** M18 SISH Smart Hub lehetőséget.



3. Olvassa el és erősítse meg a resetelésre vonatkozó üzenetet az OK-val.



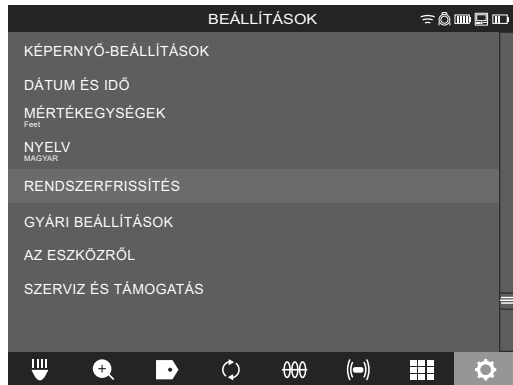
A gyári beállításokra való visszaállítás befejeződött, és a rendszer visszavált a **GYÁRI BEÁLLÍTÁSOK** almenüre.

## 2.14 Rendszerfrissítés

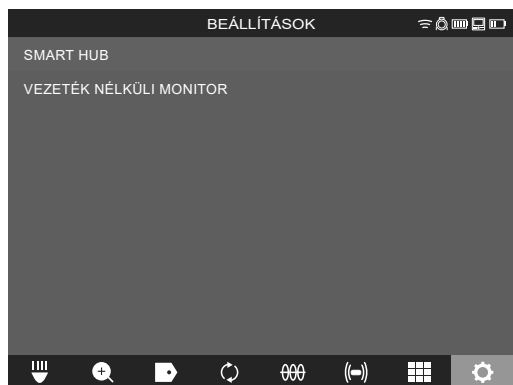
Rendszerfrissítés előtt nyissa meg a **BEÁLLÍTÁSOK** → **AZ ESZKÖZRŐL** menüt, és írja fel az aktuális firmwareverziót.

A firmwarefrissítések vagy az M18 SIM vezeték nélküli monitoron keresztül, vagy tablet segítségével, a Milwaukee® csővizsgáló alkalmazással végezhetők.

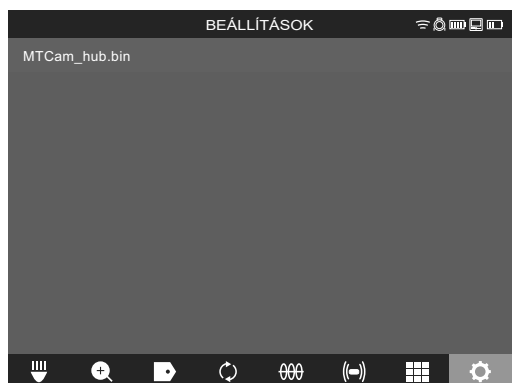
1. Kapcsolja be az M18 SISH Smart Hub-ot és az M18SIM vezeték nélküli monitort vagy a tabletet a Milwaukee® csővizsgáló alkalmazással.
2. Biztosítsa, hogy az M18 SIM vezeték nélküli monitor, ill. a tablet WLAN-on keresztül kapcsolódjon az M18 SISH Smart Hub-ra. Ha nincs WLAN-kapcsolat, akkor először hozza azt létre.
3. Csatlakoztassa a firmwarefrissítést tartalmazó USB sticket az M18 SISH Smart Hub USB-A portjára.
4. Válassza ki a **BEÁLLÍTÁSOK** → **RENDSZERFRISSÍTÉS** lehetőséget.



5. Válassza ki az M18 SISH Smart Hub lehetőséget.



6. A frissítés fájlneve megjelenik a képernyőn. A frissítés elindításához válassza ki a **FAJLNEV** lehetőséget.



7. Olvassa el és erősítse meg a figyelmeztető üzenetet az OK-val.

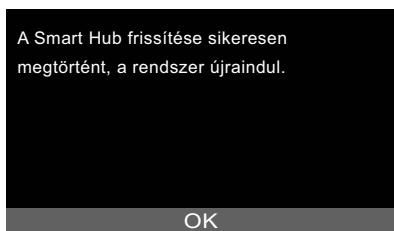




8. A frissítés menete egy haladást jelző sávon látható.



9. A frissítés végén megjelenik egy üzenet, melyet meg kell erősíteni. A rendszer újraindításához nyomja meg az OK-t.



10. A firmwareverzió frissítésének ellenőrzésére válassza ki a **BEALLITASOK** → **AZ ESZKOZROL** lehetőséget.

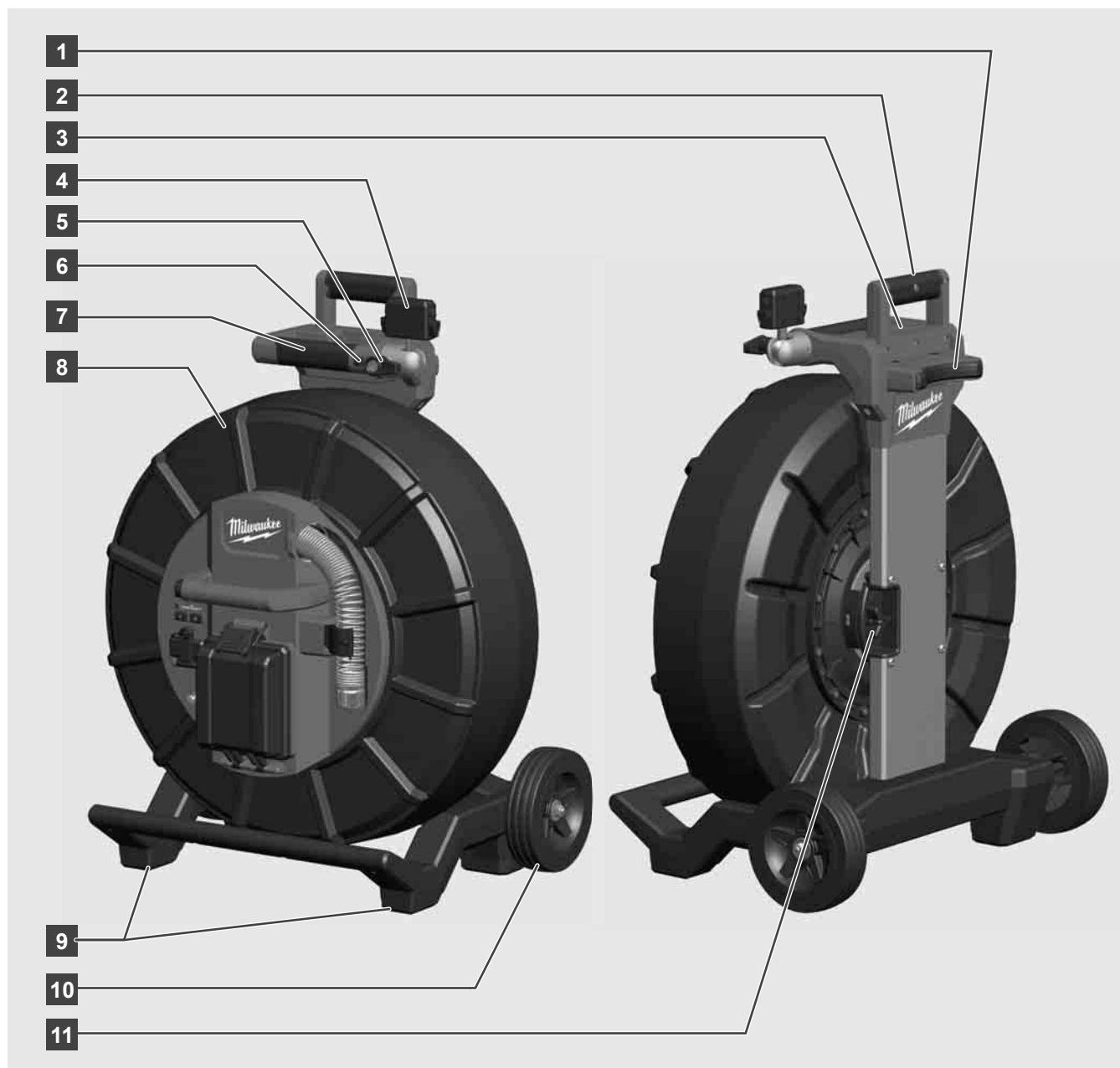
## 3 CSŐVIZSGÁLÓ DOBOK

### 3.1 Az M18 SIC36 csővizsgáló dob áttekintése



- 1 Állítható láb vízszintes használathoz
- 2 M18 SIM vezeték nélküli monitor – tablettartó és csatlakozó
- 3 M18 SIM vezeték nélküli monitor – forgás elleni rögzítő
- 4 M18 SIM vezeték nélküli monitor – döntés elleni rögzítő
- 5 Fogantyú
- 6 Kábeldob tolokábel
- 7 Állítható láb függőleges használathoz
- 8 Kábeldobfék
- 9 Állítható láb vízszintes használathoz
- 10 Hordszerkezet

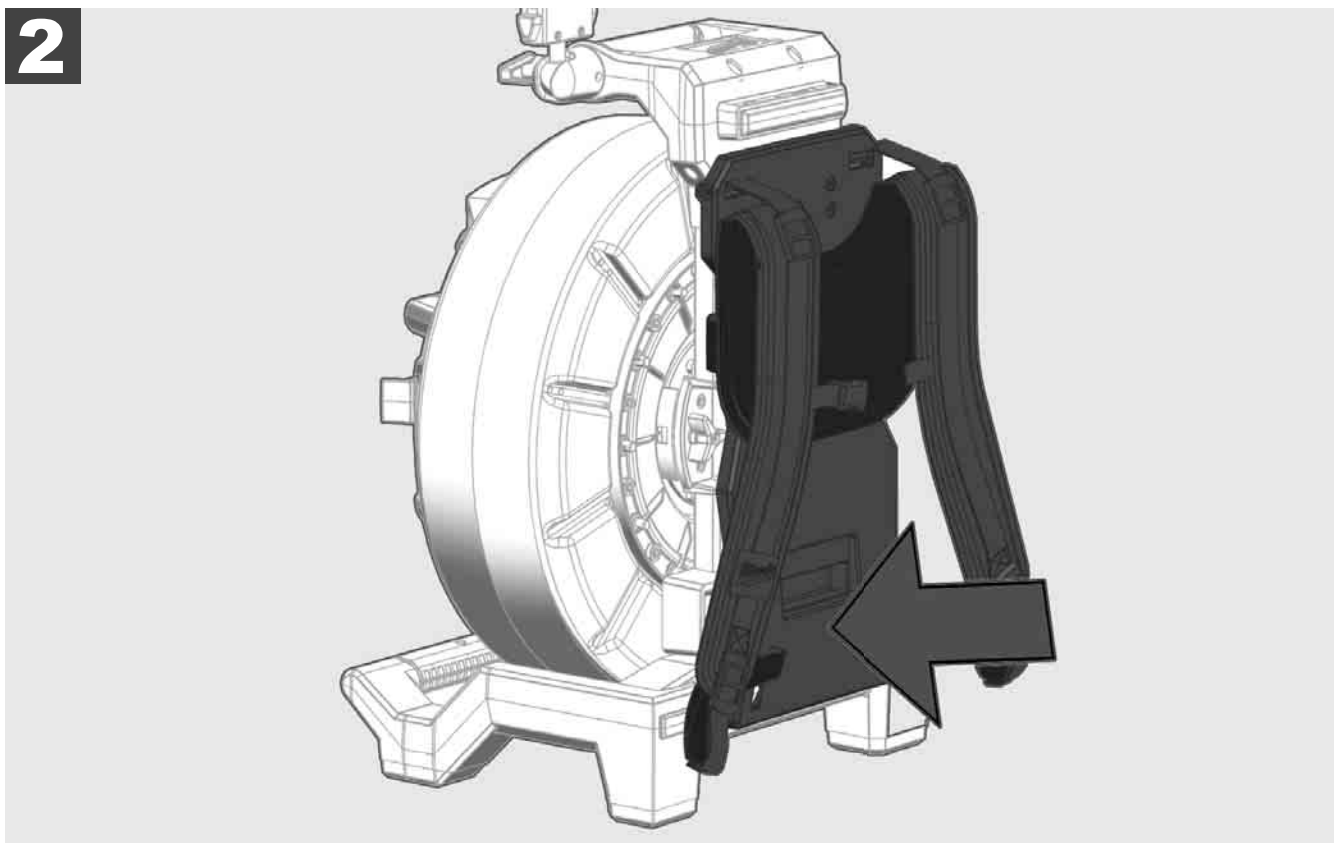
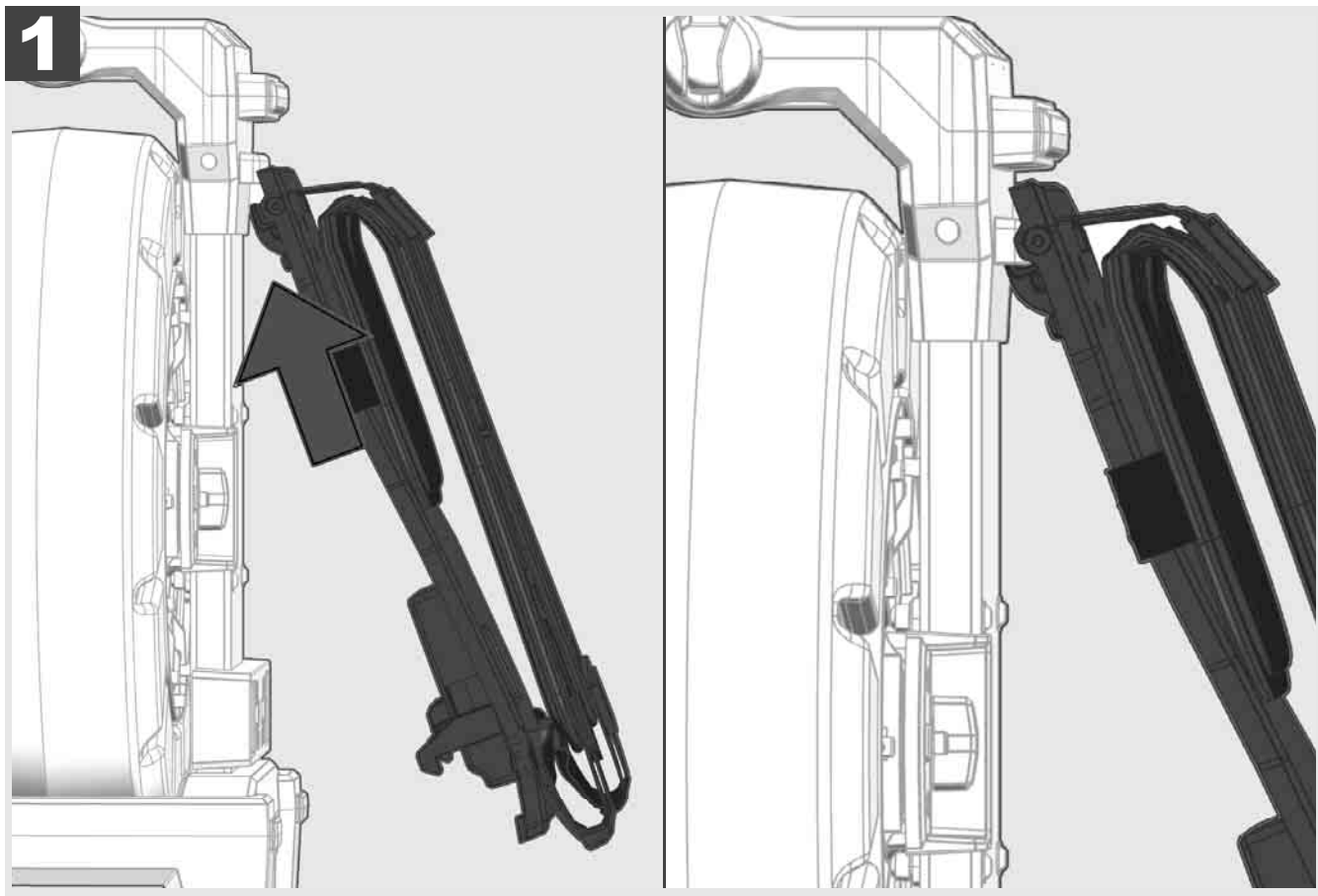
### 3.2 Az M18 SIC60 csővizsgáló dob áttekintése



- 1 Állítható láb vízszintes használathoz
- 2 Kihúzható fogantyú (betolt helyzetben)
- 3 A kihúzható fogantyú rögzítéséhez és a rögzítés oldásához való gomb
- 4 M18 SIM vezeték nélküli monitor – tartó / tablettartó és csatlakozó
- 5 M18 SIM vezeték nélküli monitor – forgás elleni rögzítő
- 6 M18 SIM vezeték nélküli monitor – döntés elleni rögzítő
- 7 Fogantyú
- 8 Kábeldob tolokábellel
- 9 Állítható láb függőleges használathoz
- 10 Kerekek
- 11 Kábeldobfék

### 3.3 A hordszerkezet felszerelése

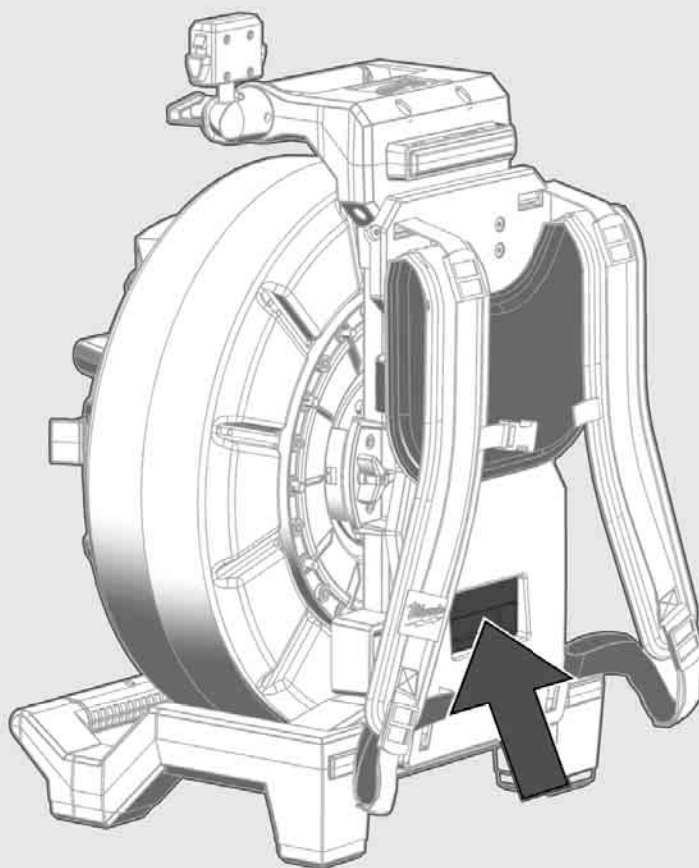
Az M18 SIC36 CSÓVIZSGÁLÓ DOB egy hordszerkezettel van felszerelve, mellyel a dob hátizsákként hordozható a háton. Ezzel a kis dob könnyen a felhasználási helyre szállítható, ami mindenekelőtt lépcsők megmászásakor vagy létra használatakor praktikus.



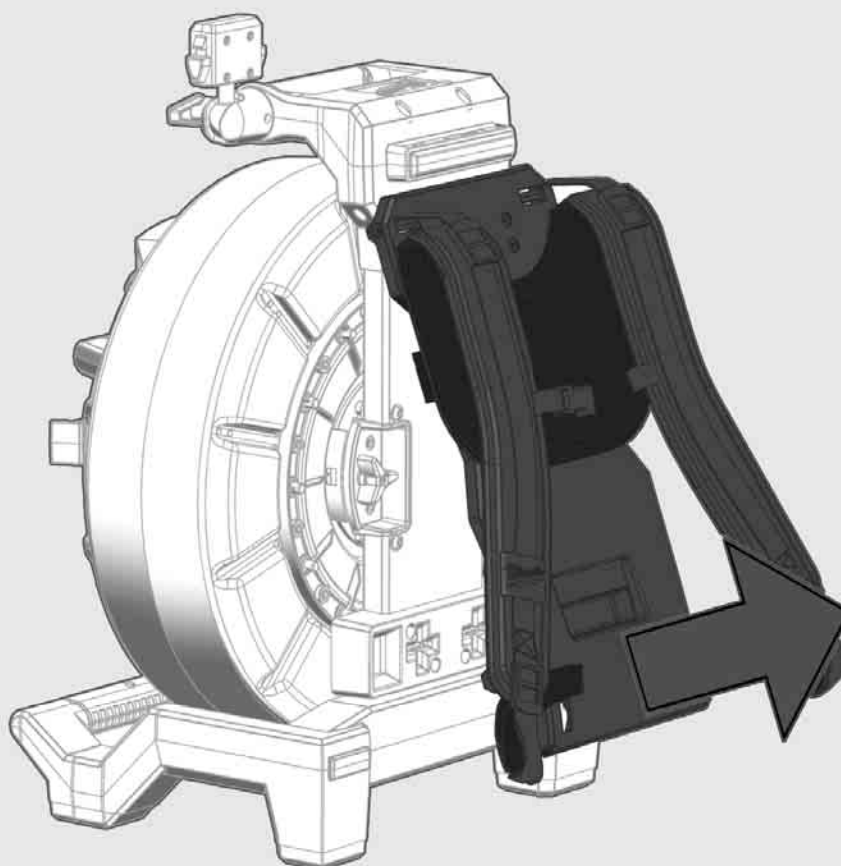
Akassza be fent a hordszerkezetet és tenyérpárnával nyomja addig az aljához, amíg nem rögzül. A hordszerkezetet röviden meghúzva bizonyosodjon meg arról, hogy a hordszerkezet rögzült.



**1**

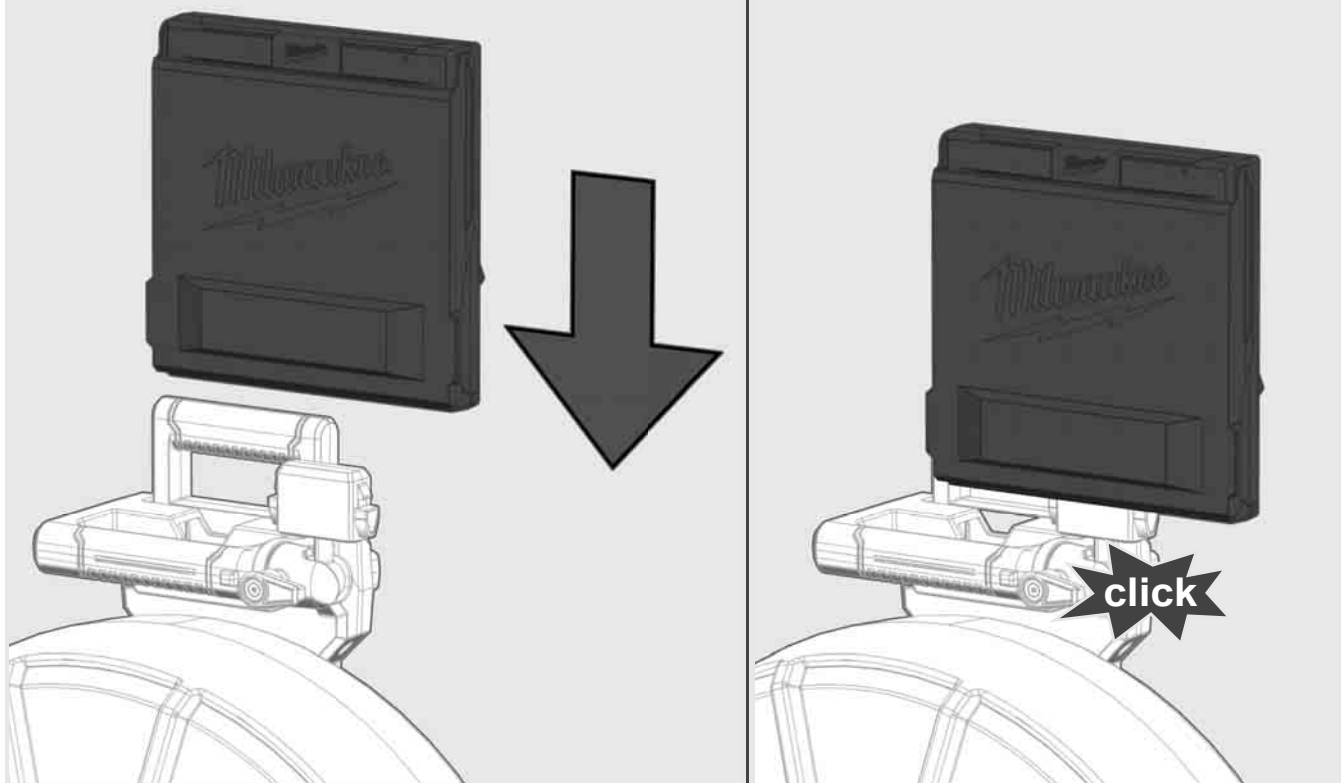


**2**

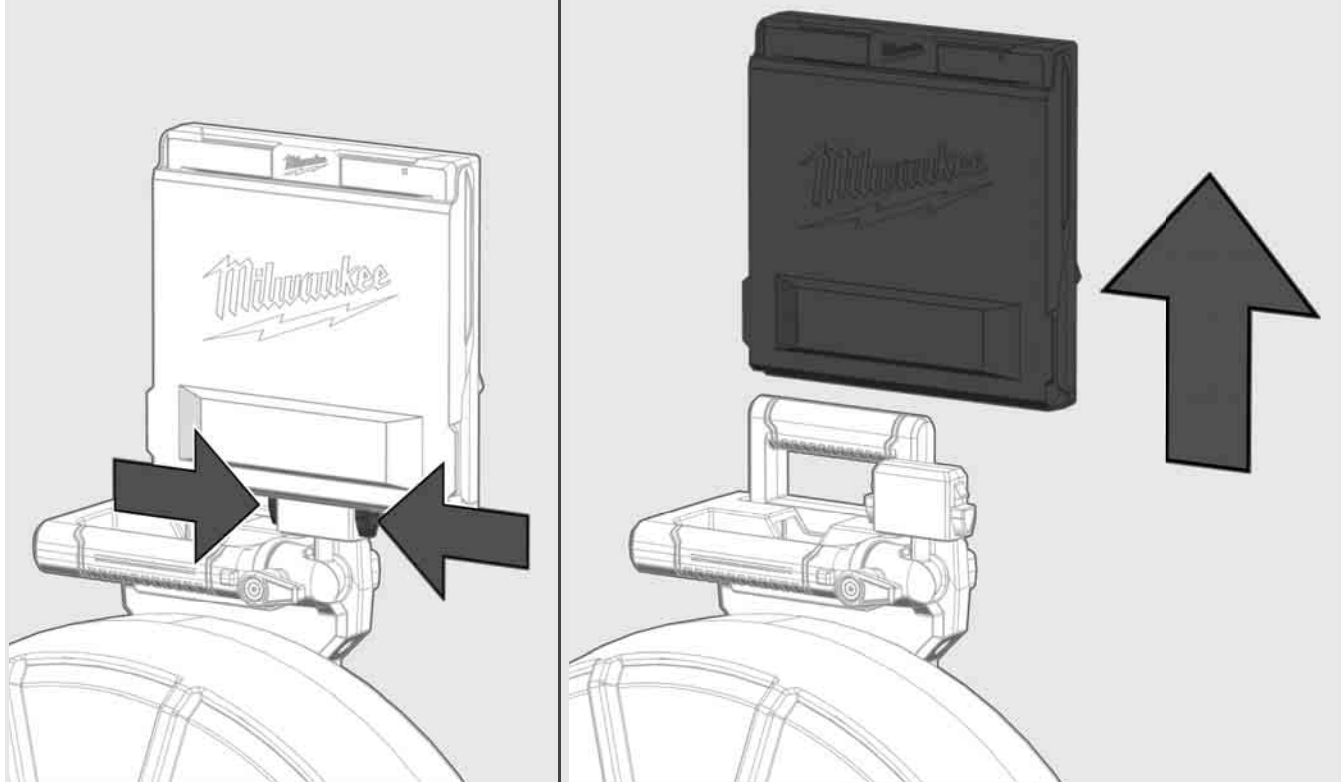


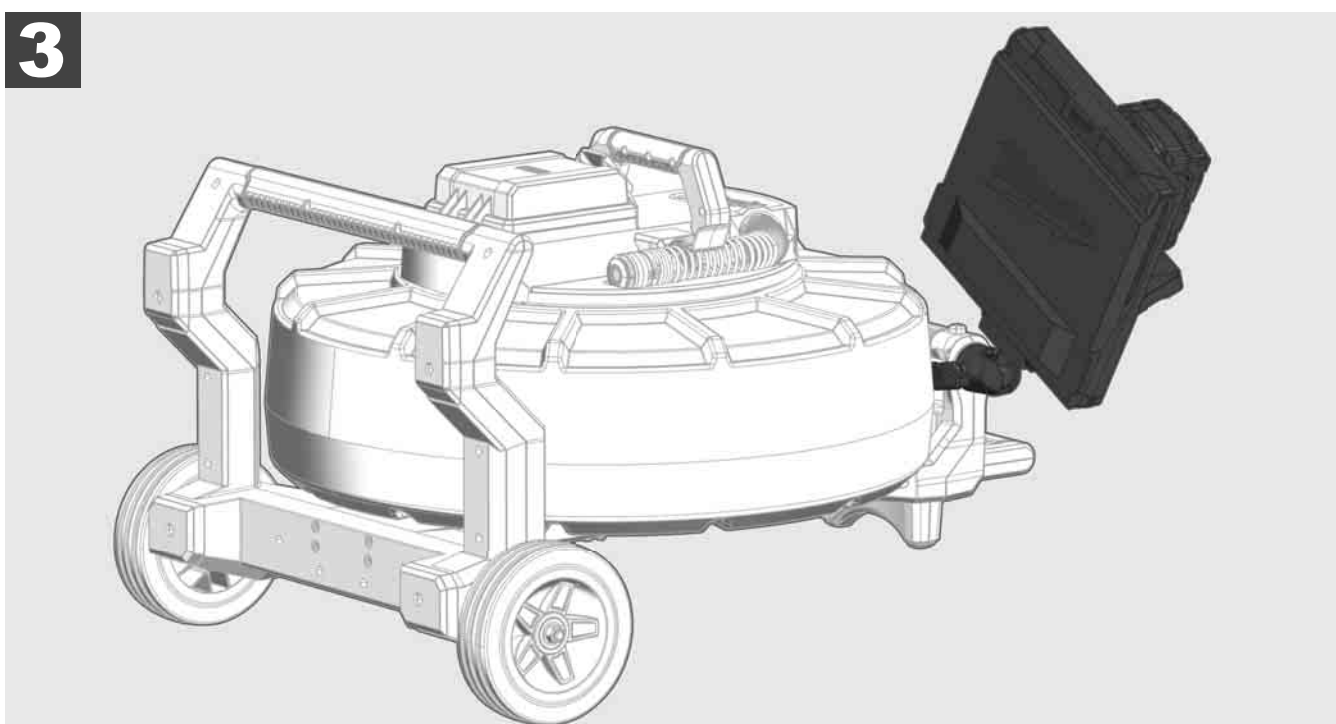
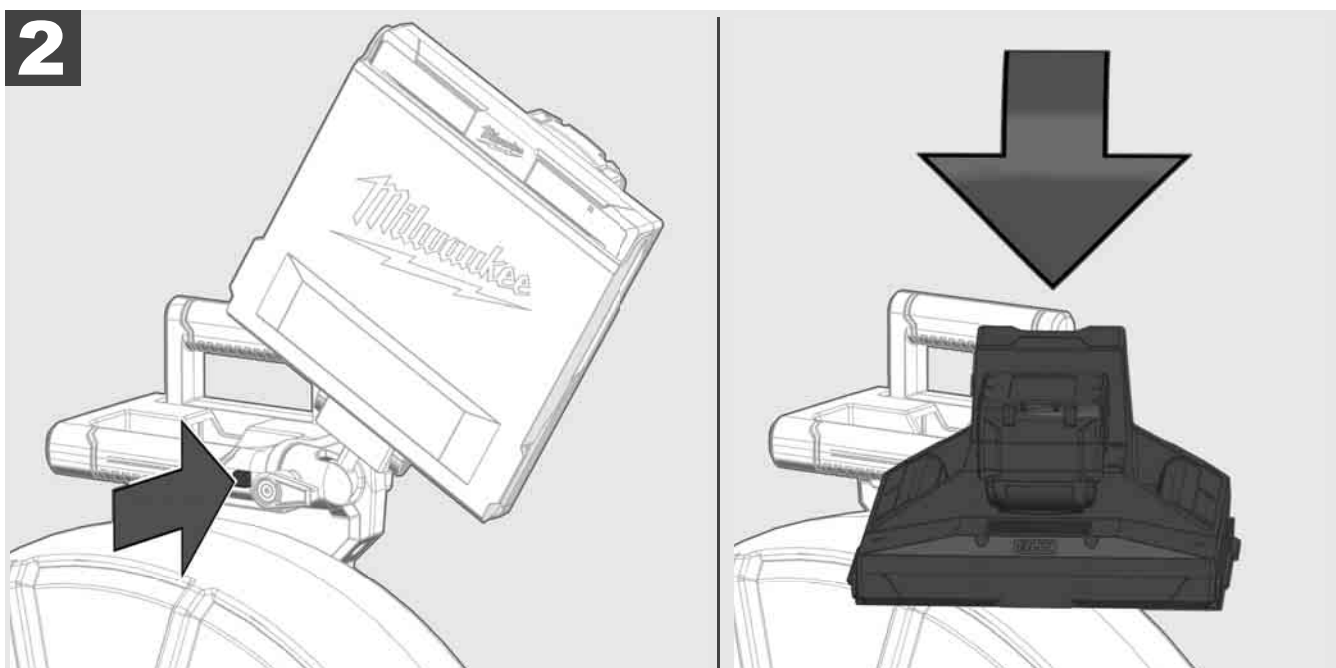
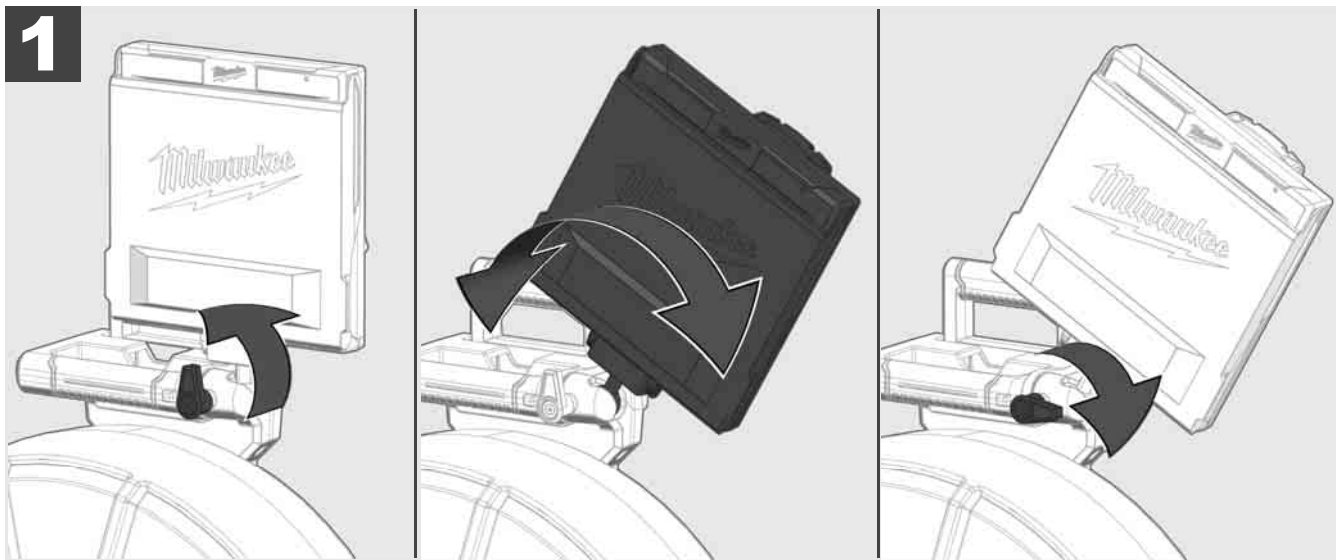


**1**



**2**





### 3.7 A csővizsgáló dob használata



A tolokábel ellenőrzése kopási nyomok szempontjából – Felcsévéléskor ellenőrizze a kábelt vágások, megtörés és kopás szempontjából. Ha a köpeny olyan erősen kopott, hogy a sárga vagy a fehér kevlárfonat látható, ki kell cserélni a tolokábelt. Sérült köpenyű tolokábel használata esetén víz és nedvesség hatolhat be, ami hátrányosan befolyásolja a kamerafelvételek minőségét, vagy a kamera meghibásodását okozhatja.

Az alábbi ábra példákat mutat be erősen sérült köpenyekre. Az ilyen tolokábeleket a lehető leggyorsabban ki kell cserélni.

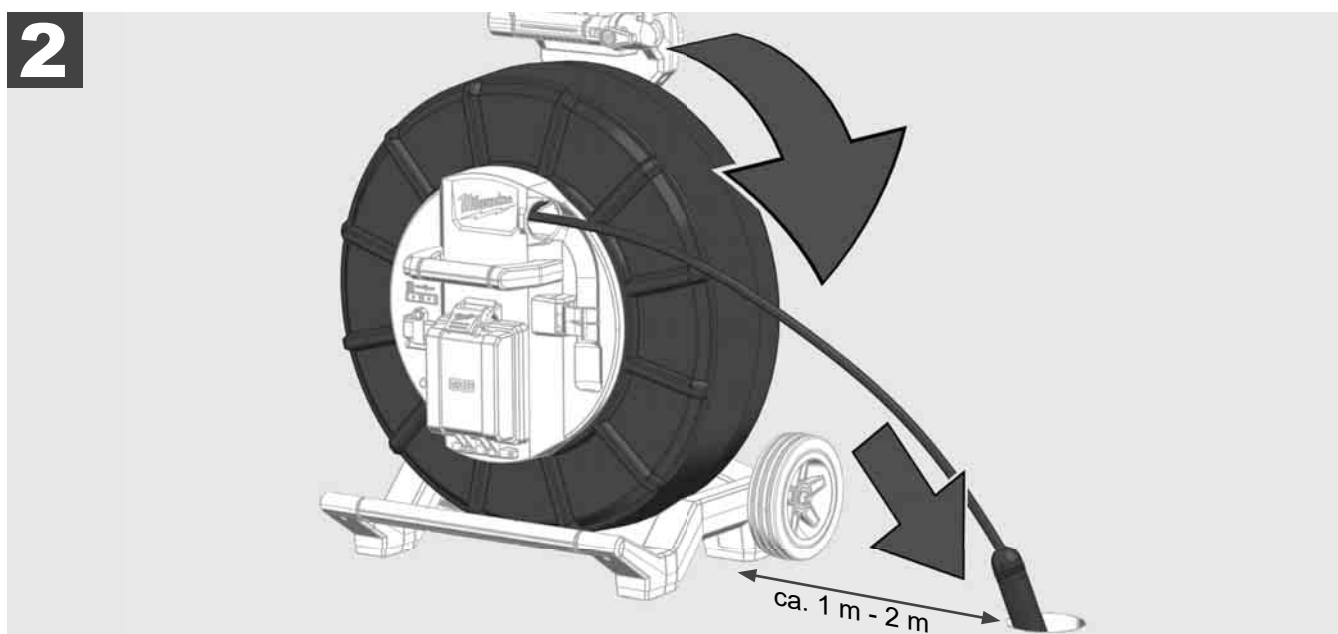
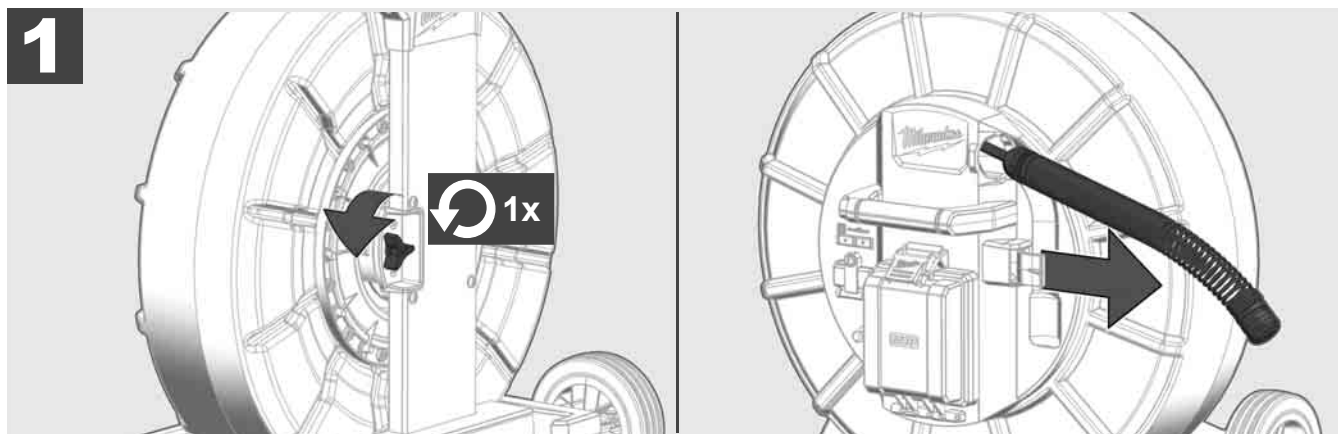


A tolokábelt és a rugós egységet mindig szárazon és tisztán kell tartani – Felcsévéléskor a kábelt mindig tisztítsa meg tiszta, száraz kendővel. A munkanap végén a kamerafejet és a rugót folyó víz alatt óvatosan tisztítsa meg a szennyeződésmaradványoktól. Rázza le szárazon, vagy a felesleges vizet fújja le alacsony nyomású sűrített levegővel, majd szárítsa le az alkatrészeket. A kamerafej, a tolokábel és a csatlakozóelemek a napi használat során agresszív vegyi anyagoknak vannak kitéve. A rendszer gondos tisztítása megnöveli ezen alkatrészek élettartamát.

Gondosan kezelje a tolokábelt – Ne húzza ki a tolokábelt a rögzített doból. Ellenkező esetben a kábel összenyomódik a dobban és túlzott igénybevétel éri. Ha a tolokábelt a rögzített dobba tolják vissza, akkor viszont a tekercs felborulhat, vagy a kábel letörhet.

Állítsa a dobot kb. 1-2 méter távolságra a bemeneti ponttól sík aljzatra. Így elegendő hely marad a kábel kezelésére, anélkül, hogy kábelhurkokat kellene a padlón húzni. A tolokábel mozgásának lassításához adott esetben működtesse a dörzsféket.

Ha a dobot vízszintes helyzetben használják, akkor megnő a felület a lábak között. Ez nagyobb stabilitást biztosít a dobnak egyenetlen aljzaton és csökkenti annak magasságát, ami szűk helyviszonyoknál előnyös.





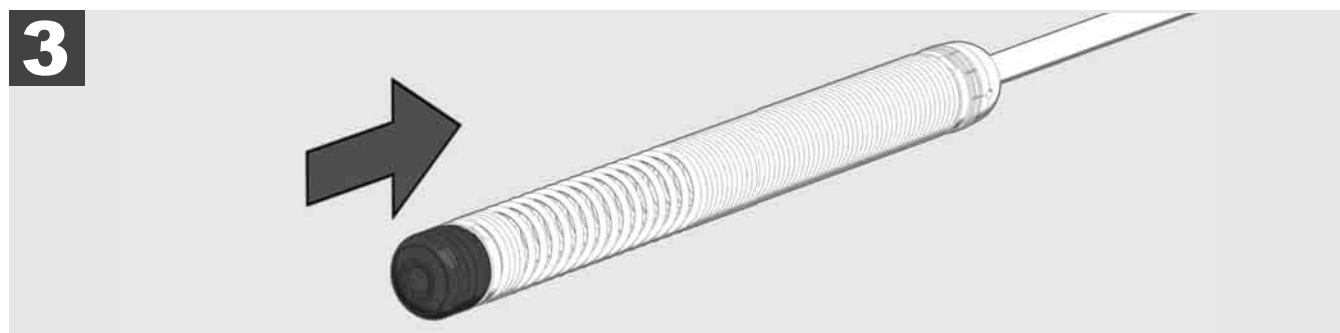
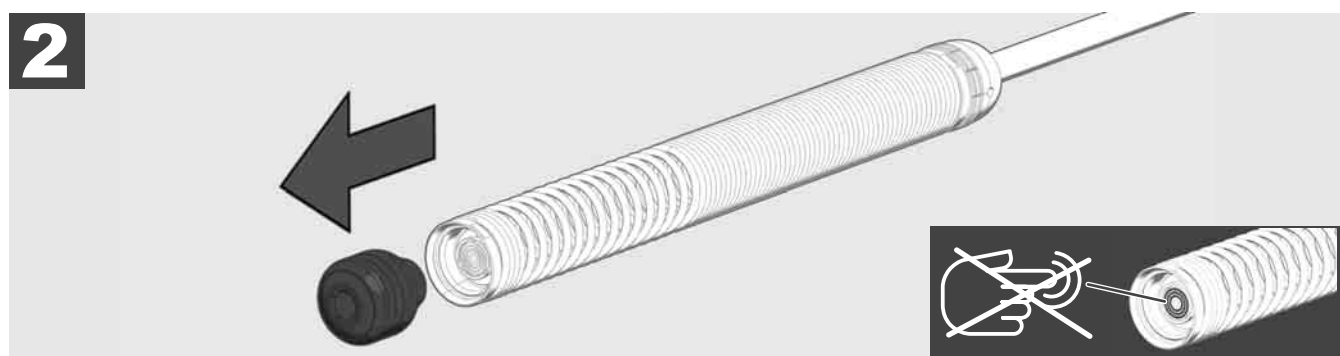
### 3.8 Kamerafej egység



Lehetőség szerint ne érjen pusztá kézzel a zöld panelhoz, ill. az arany érintkezőkhöz a rugós egységen, ill. ugyanez érvényes a kamerafejre is. Ellenkező esetben az ujjak zsírrétege ezekre az egységekre kerül, ami azok idő előtti korróziójához vezethet. Lehetőleg használjon tiszta és száraz gumikesztyűt.

Leszerelés előtt szárazon törölje le a kamerafejet és távolítsa el azokat a szennyeződésmaradványokat, melyek a kamera csatlakoztatási területén lehetnek.

Ne húzza meg túl erősen és ne alkalmazzon túl nagy erőt!



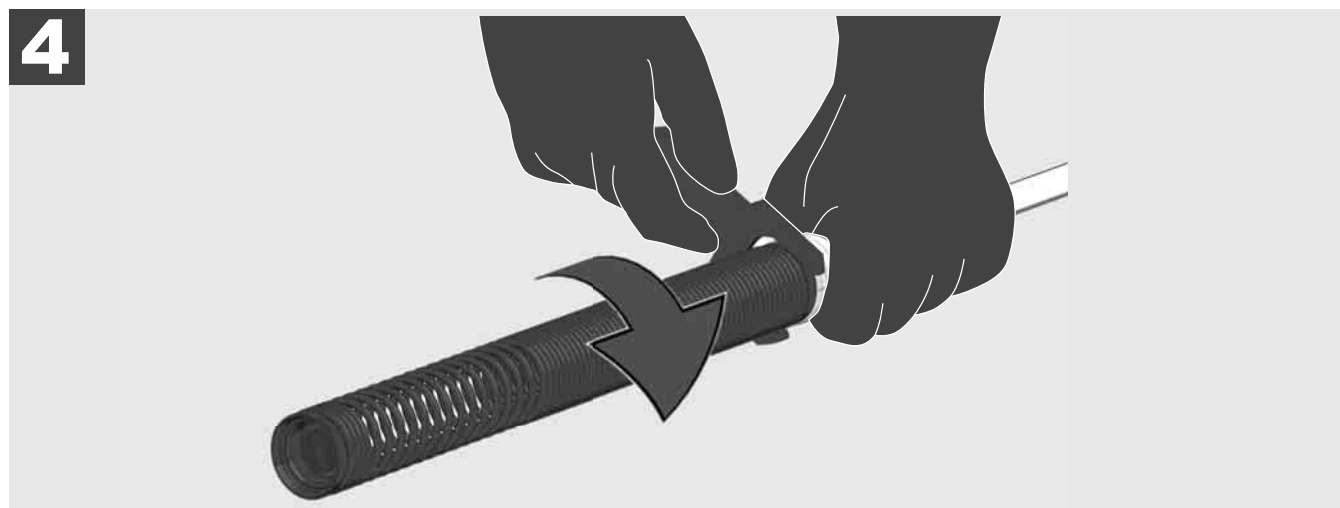
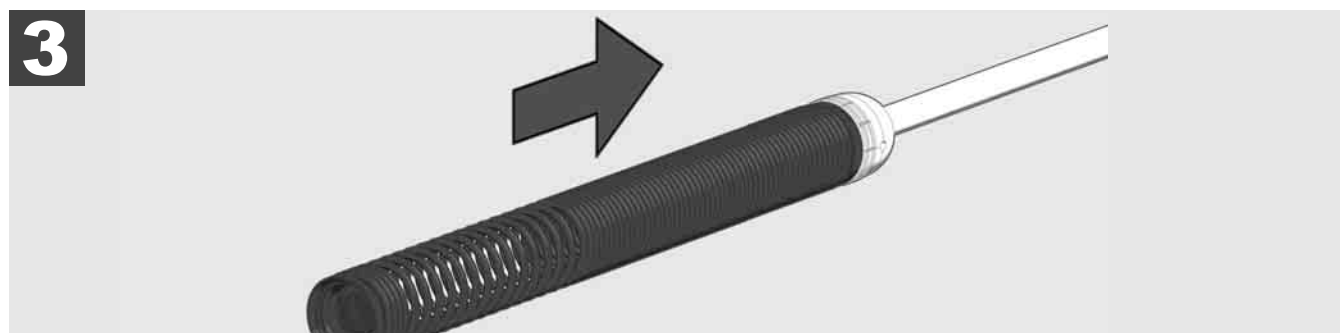
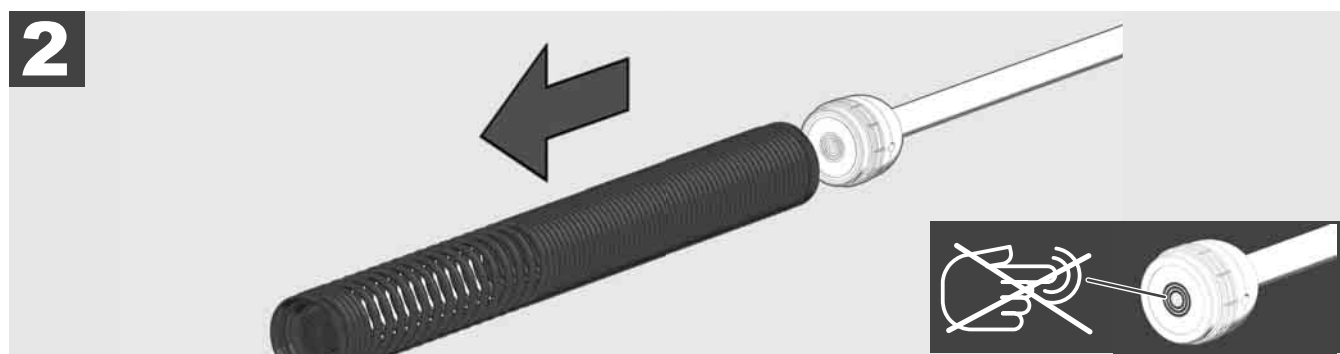
### 3.9 Rugós egység



Lehetőség szerint ne érjen pusztá kézzel a zöld panelhoz, ill. az arany érintkezőkhöz a rugós egységen, ill. ugyanez érvényes a kamerafejre is. Ellenkező esetben az ujjak zsírrétege ezekre az egységekre kerül, ami azok idő előtti korróziójához vezethet. Lehetőleg használjon tiszta és száraz gumikesztyűt.

Leszerelés előtt szárazon törölje le a kamerafejet és távolítsa el azokat a szennyeződésmaradványokat, melyek a kamera csatlakoztatási területén lehetnek.

Ne húzza meg túl erősen és ne alkalmazzon túl nagy erőt!



### 3.10 Kamera-védőburkolat

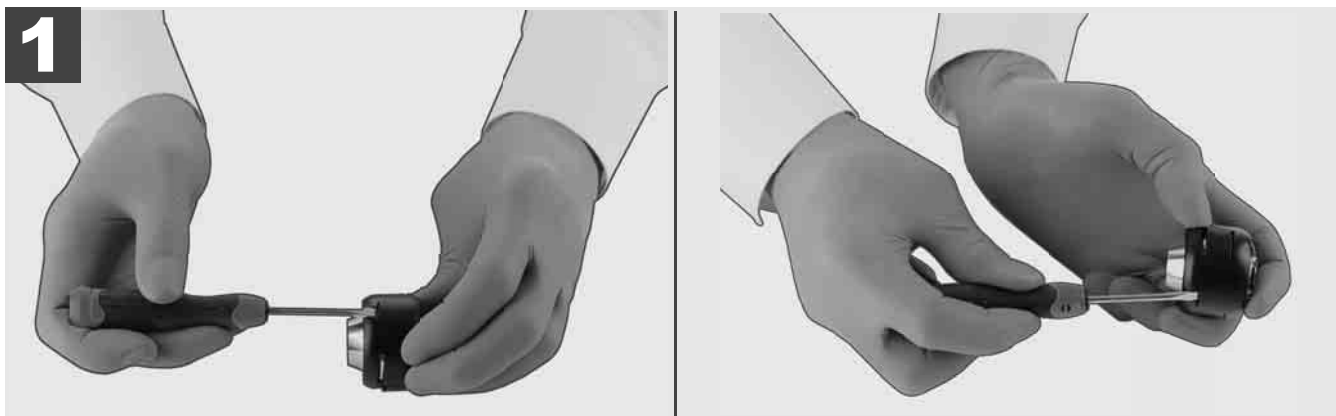


Védőburkolatok – 25 mm, ill. 34 mm átmérőjű kamerafejekhez megfelelő. Ezek a védőburkolatok minden CSŐVIZSGÁLÓ DOBHOZ vagy pótkamerafejhez mellékelve vannak.

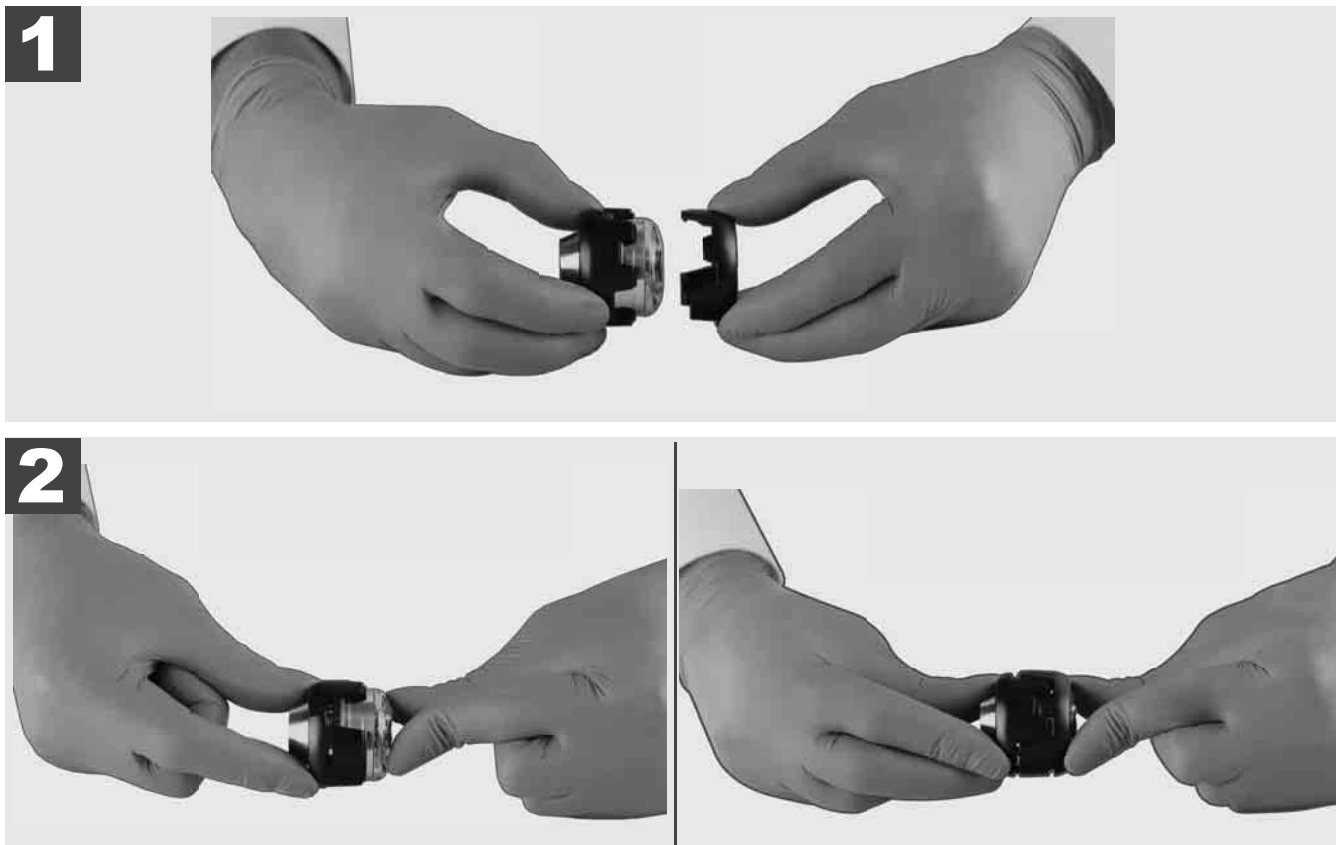
Vezetők – Ezeket a rugós egységre kell szerelni, hogy a kamerafej az alj mentén haladjon, és ne érintkezzen közvetlenül a csővel.



#### A védőburkolat eltávolítása



#### A védőburkolat felszerelése



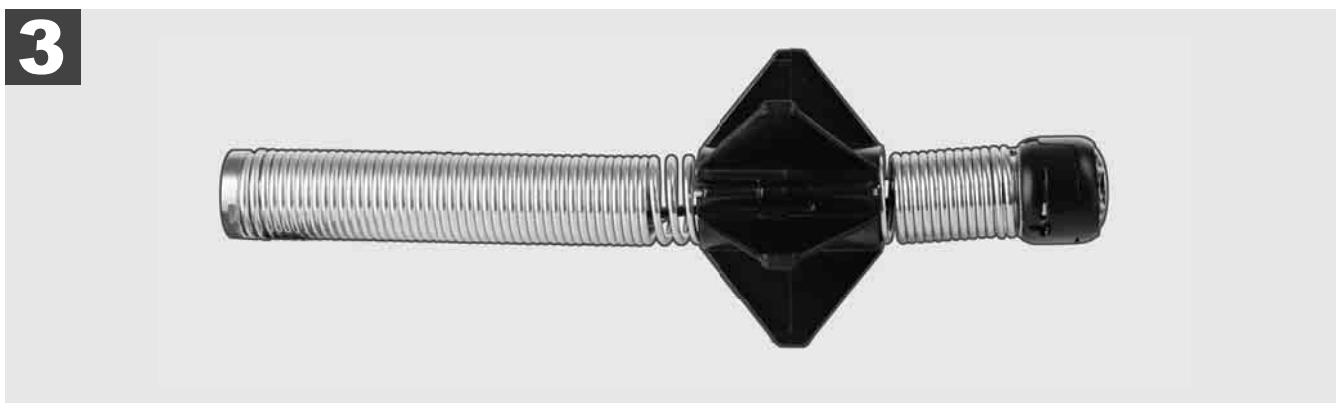
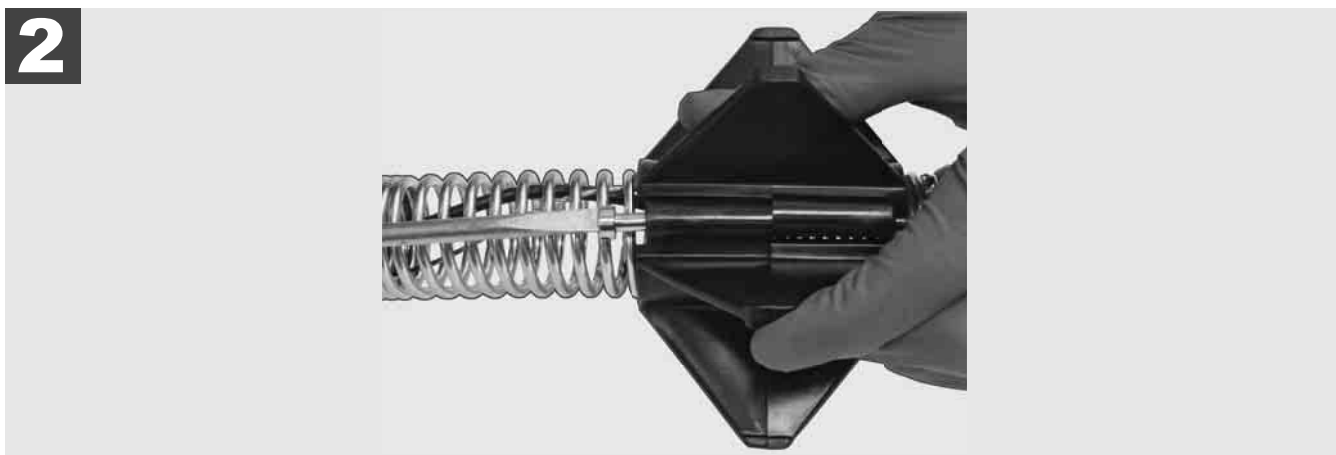
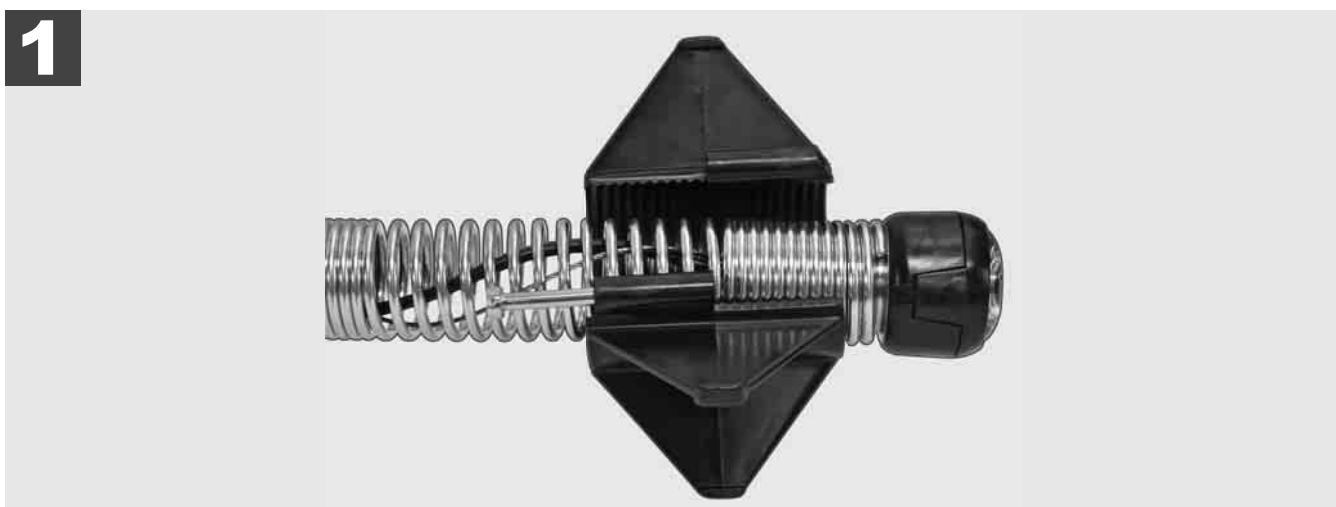
### 3.11 Kameravezetők



A 25 mm, ill. 34 mm széles kamerafejekhez egyenként két-két vezető áll rendelkezésre: Egy 75 mm-es kis kivitel és egy 100 mm-es közepes kivitel.

25 mm-es kameravezető


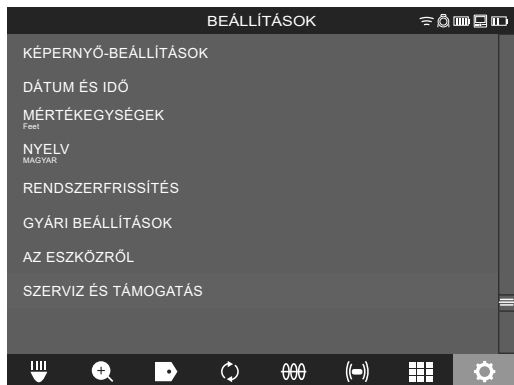
34 mm-es kameravezető




### 3.12 Szerviz és támogatás


Ha a CSŐVIZSGÁLÓ RENDSZEREN javítást kell végezni, akkor a SZERVIZ ÉS TÁMOGATÁS alatt a Milwaukee szerszámok szervizoldalára jut, mely tartalmaz valamennyi fontos telefonszámot.

Válassza ki a **BEÁLLÍTÁSOK**  → **SZERVIZ ÉS TÁMOGATÁS** lehetőséget.



**click** → 

**M18 SIC36**  
**M18 SIC60**  
**M18 SISH**

**click** → 

**M18 SIM**

**click**

1	Splošne informacije .....	2
1.1	Posebni varnostni predpisi za sisteme za pregled cevi .....	2
1.2	Nadaljnja varnostna in delovna navodila .....	2
1.3	Tehnični podatki .....	3
1.4	Predvidena uporaba .....	3
1.5	Zahteve za radijske frekvence glede na evropske namestitve .....	3
1.6	ES-Izjava o skladnosti .....	3
1.7	ONE-KEY™ .....	4
1.8	AKUMULATORske BATERIJE .....	4
1.9	Transport litij-ionskih akumulatorskih baterij .....	4
1.10	Vzdrževanje .....	4
1.11	Simboli .....	5
2	Smart Hub M18 SISH .....	6
2.1	Pregled Smart Hub-a M18 SISH .....	6
2.2	Vstavljanje in odstranjevanje akumulatorske baterije .....	7
2.3	Preverjanje stanja akumulatorske baterije .....	8
2.4	Vstavljanje Smart Hub-a M18 SISH .....	9
2.5	Odstranjevanje Smart Hub-a M18 SISH .....	10
2.6	Stikalo za vklop/izklop .....	11
2.7	Priključitev monitorja .....	12
2.8	Vrata USB .....	13
2.9	Ozemljitvena palica .....	14
2.10	Ponastavitev števca dolžine .....	15
2.11	Testni priključek kamere .....	16
2.12	Formatiranje internega pogona in USB ključa .....	17
2.13	Tovarniške nastavitve .....	18
2.14	Posodobitev sistema .....	19
3	NAVIJALO ZA PREGLED CEVI .....	21
3.1	Pregled navijala za pregled cevi M18 SIC36 .....	21
3.2	Pregled navijala za pregled cevi M18 SIC60 .....	22
3.3	Namestitev nosilne priprave .....	23
3.4	Odstranjevanje nosilne priprave .....	24
3.5	Namestitev brezžičnega monitorja M18 SIM .....	25
3.6	Nastavitev brezžičnega monitorja M18 SIM .....	26
3.7	Uporaba navijala za pregled cevi .....	27
3.8	Sklop glave kamere .....	28
3.9	Sklop vzmeti .....	29
3.10	Zaščitni pokrov kamere .....	30
3.11	Vodila kamere .....	31
3.12	Servis in podpora .....	32

## 1.1 Posebni varnostni predpisi za sisteme za pregled cevi

Pri delih v ceveh bodite pozorni na to, da le te ne bodo pod napetostjo ali električnim nabojem. Cevi ne smejo vsebovati tekočine. Kamera in naprava ne smeta priti v stik s tekočino.

Kamera in kabel ne smeta priti v stik z oljem, plinom ali drugimi korozivnimi materiali.

Za zmanjševanje tveganje eksplozij, električnega udara in materialne škode, ped vsemi deli zmeraj preverite delovno območje. Kabel ne sme priti v stik z električnimi komponentami, kemikalijami ali premikajočimi se deli.

Za zmanjševanje tveganja poškodb na napravi, ne uporabljajte prekomerne sile in ne prepogibajte kabla.

Inšpekcijske kamere in kabla ne uporabljajte v območjih, kjer bi lahko prišla v stik z jedkimi ali oljnimi snovmi.

Kabla ne uporabljajte za odpravljanje zamašitev ali ovir. To ni čistilec cevi!

Kadar bi odtočna cev ki jo je treba pregledati lahko vsebovala kemikalije, bakterije ali druge toksične snovi oz. bi utegnili vsebovati povzročitelje infekcij, uporabljajte s strani proizvajalca priporočene zaščitne rokavice, rokavice iz lateksa ali gume, kakor tudi zaščitna očala, zaščitno obraza, zaščitna oblačila in masko za zaščito dihal.

Cevovodi lahko vsebujejo kemikalije, bakterije ali druge snovi, ki so toksične ali povzročajo infekcije in razjede ali lahko izzovejo druge težke poškodbe.

Upoštevajte higienske predpise. Med uporabo naprave ne jejte in ne kadite. Po delu ali uporabi sistema za pregled cevi, je potrebno roke in preostale dele telesa, ki so prišli v stik vsebine cevi zmeraj oprati s toplo vodo in milom. Tako se izognemo zdravstvenim tveganjem zaradi stika s toksičnimi snovmi ali snovmi, ki povzročajo infekcije.

Pred uporabo preglejte kabel glede na sledi obrabe in poškodbe. Obrabljen ali poškodovan kabel nadomestite pred uporabo naprave.

**PREVIDNO!** Pri prevozu sistema za pregled cevi z nosilno pripravo na hrbtu bodite izjemno pazljivi. Lahko bi izgubili ravnotežje.

Napravo vedno uporabljajte premišljeno in previdno. Vseh nevarnih situacij ni mogoče predvideti. Napravo ne uporabljajte, če ne razumete teh navodil ali če menite, da je delo prezahtevno za vas. Za dodatne informacije ali izobraževanja se obrnite na Milwaukee ali usposobljenega strokovnjaka.

Etiket in tipskih tablic ne odstranjujte. Te tablice vsebujejo pomembne informacije. Kadar te informacijske oznake niso več berljive ali manjkajo, se obrnite na MILWAUKEE-servisno službo, za prejem brezplačnega nadomestila.

Prah, ki nastaja pri uporabi brusilnikov, žag in vrtnikov ali drugih gradbenih dejavnostih, lahko vsebuje kemične substance, ki povzročajo rak, privedejo do poškodbe plodu ali vplivajo na plodnost. Primeri za tovrstne kemične substance so:

- svinec iz barv na osnovi svinca,
- kristalni silicijev dioksid iz opeke, cementa ali drugih zidnih izdelkov ter
- arzen ali krom iz kemično obdelanega gradbenega lesa.

Tveganje izpostavljenosti je odvisno od tega, kako pogosto opravljate tovrstno dejavnost. Da ohranite tveganje izpostavljenosti čim manjše, vedno delajte v prezračenih prostorih. Nosite uradno odobreno varovalno opremo, kot so na primer maske za zaščito pred prahom s filtrom za mikrodelce.

## 1.2 Nadaljnja varnostna in delovna navodila

Akumulatorske baterije ne zamenjajte, če je površina orodja mokra.

Izrabljenih akumulatorskih baterij ne mečite v ogenj ali v gospodinjske odpadke. Milwaukee nudi okolju prijazno odlaganje starih akumulatorskih baterij.

Akumulatorskih baterij ne hranite skupaj s kovinskimi predmeti (nevarnost kratkega stika).

Akumulatorske baterije sistema M18 polnite samo s polnilnimi aparati sistema M18. Ne uporabljajte nobenih akumulatorskih baterij iz drugih sistemov.

Pod ekstremno obremenitvijo ali ob ekstremni temperaturi iz poškodovane akumulatorske baterije lahko izteka akumulatorska tekočina. Po stiku z akumulatorsko tekočino prizadeto mesto takoj izperite z vodo in milom. Po stiku z očmi takoj najmanj 10 minut dolgo temeljito izpirajte in nemudoma obiščite zdravnika.

**Opozorilo!** V izogib, s kratkim stikom povzročene nevarnosti požara, poškodb ali okvar na proizvodu, naprave, akumulatorske baterije ali polnilne naprave ne potaplajte v tekočine in poskrbite, da ne bo prihajalo do vdora tekočin. Korozivne ali prevodne tekočine, kot so slana voda, določene kemikalije in belila ali proizvodi, ki le ta vsebujejo, lahko povzročijo kratek stik.

Te naprave ni dovoljeno upravljati ali čistiti s strani oseb, ki imajo omejene telesne, senzorične ali duševne sposobnosti oz. pomanjkljive izkušnje ali znanja, razen kadar so bili s strani, za njihovo varnost zakonsko

odgovorne osebe, poučeni o varni rabi naprave. Zgoraj navedene osebe je med uporabo naprave potrebno nadzorovati. Ta naprava ne sodi v roke otrok. Vsled tega jo je v primeru neuporabe potrebno shranjevati varno in izven dosega otrok.

### 1.3 Tehnični podatki

	M18 SIC36	M18 SIC60	M18 SISH
Dolžina kabla kamere.....	36 m.....	60 m	
Glava kamere.....	Ø 25 mm.....	Ø 34 mm	
Najv. povečava.....	4x.....	4x	
Napetost akumulatorske baterije.....			18 V
Teža po EPTA-proceduri 01/2014 (4.0 Ah / 12 Ah).....	12,4 kg.....	20,46 kg.....	5,37 kg
Bluetooth-frekvenčni pas (frekvenčni pasovi).....			2402-2480 MHz
Visokofrekvenčna moč.....			1,8 dBm
Bluetooth-verzija.....			4.0 BT-način signala
Priporočena temperatura okolice pri delu.....		-18 .... +50 °C	
Priporočene vrste akumulatorskih baterij.....		M18B....; M18HB....	
Priporočeni polnilniki.....		M12-18C, M12-18AC, M12-18FC, M1418C6	

### 1.4 Predvidena uporaba

Sistem za pregled cevi služi ogledu in pregledu cevovodov. Sistem sestavljajo trije moduli:

#### - Navijalo za pregled cevi M18 SIC36 ali M18 SIC60

Navijalo za pregled cevi služi navijanju in odvijanju ter krmiljenju potisnega kabla. Navijala so dobavljiva v dveh velikostih: M18SIC36 za cevi s premerom od 50 mm do 150 mm in večji model M18SIC60 za cevi s premerom od 75 mm do 250 mm.

Obe navijali vsebujejo potisni kabel s sklopom vzmeti, na katerem je nameščena samoizravnalna glava kamere. Brezžični monitor M18 SIM in Smart Hub M18 SISH se lahko uporabljata z obema navijali.

Obe navijali je mogoče uporabljati tako vodoravno kot tudi navpično. Na zadnji strani navijala M18 SIC36 je mogoče pritrčiti nosilno pripravo, da napravo nesete na hrbtu.

#### - Smart Hub M18 SISH

Smart Hub M18 SISH služi krmiljenju sistema za pregled cevi.

Brezžični monitor M18 SIM ali tablični računalnik, na katerem je nameščena aplikacija za pregled cevi Milwaukee®, se poveže s Smart Hub-om M18 SISH za sprejemanje videoposnetkov in slik. Videoposnetki in tudi slike se shranijo na internem pogonu Smart Hub-a M18 SISH.

#### - Brezžični monitor M18 SIM (ni v obsegu dobave; lahko ga kupite ločeno)

Brezžični monitor M18 SIM omogoča ogled videoposnetkov, ki jih je posnela glava kamere, snemanje videoposnetkov in fotografij ter predvajanje datotek z videoposnetki in slikovnih datotek. Med snemanjem videoposnetkov lahko prek internega mikrofona posnamete govorjene komentarje. S funkcijo »Oznake« lahko dodate tudi komentarje. Komentarji se prikažejo v posnetem videoposnetku in se na fotografijah prikažejo skupaj z datumom, urnim časom in odvito dolžino kabla.

Ta naprava se sme uporabiti samo za navede namene.

### 1.5 Zahteve za radijske frekvence glede na evropske namestitve

Opomba: Ta naprava je bila preizkušena in upošteva mejne vrednosti sprejemnika kategorije 3 v skladu z EN 300 440 V2.1.1.

Te mejne vrednosti morajo zagotoviti primerno zaščito pred radijsko tehničnimi motnjami v stanovanjskih zgradbah.

Ta naprava se odziva na druge naprave, ki oddajajo radijske valove v frekvenčnem območju od 2402 do 2480 MHz. Zaradi tega lahko pride do motenj pri uporabi daljinskega upravljanja. Ni mogoče izključiti, da pod določenimi okoliščinami pride do motenj. Da ugotovite, ali to napravo motijo radijski signali drugih naprav, za kratek čas izklopite druge naprave, da preverite, ali motnje potem izginejo. Za odpravljanje motenj lahko pomagajo naslednji ukrepi:

- Izklopite vir motnje.
- Povečajte razdaljo do vira motnje.
- Posvetujte s specializiranim trgovcem ali usposobljenim radijskim tehnikom.

### 1.6 ES-Izjava o skladnosti

Techtronic Industries GmbH potrjuje, da je tip radijske opreme M18SISH skladen z Direktivo 2014/53/EU. Celotno besedilo izjave EU o skladnosti je na voljo na naslednjem spletnem naslovu: <http://services.milwaukeeool.eu>



## 1.7 ONE-KEY™

Da boste o ONE-KEY funkcionalnosti te naprave izvedeli več, preberite priložena navodila za hiter začetek ali pa nas obiščite na internetu pod [www.milwaukeeetool.com/one-key](http://www.milwaukeeetool.com/one-key). ONE-KEY aplikacijo lahko naložite na vaš pametni telefon preko App Store ali Google Play.

Le pride do elektrostatičnih razelektritev, se povezava Bluetooth prekine. V tem primeru povezavo znova vzpostavite ročno.

Naprava izpolnjuje minimalne zahteve v skladu z EN 55014-2:2015/EN 301489-1 V2.2.3/EN 301489-17 V3.1.1.

### Prikaz ONE-KEY™

Modra svetloba: Radijska povezava je aktivna in jo je mogoče nastaviti prek aplikacije ONE-KEY™.

Modro utripanje: Naprava komunicira z aplikacijo ONE-KEY™.

Rdeče utripanje: Naprava je bila iz varnostnih razlogov blokirana in odklene jo lahko upravljavec prek aplikacije ONE-KEY™.

## 1.8 AKUMULATORSKE BATERIJE

Akumulatorske baterije, ki jih daljši čas niste uporabljali, pred uporabo naknadno napolnite.

Temperatura nad 50°C zmanjšuje zmogljivost akumulatorske baterije. Izogibajte se daljšemu segrevanju zaradi sončnih žarkov ali gretja.

Pazite, da ostanejo priključni kontakti na polnilnem aparatu in akumulatorsko baterijo čisti.

Za optimalno življenjsko dobo je potrebno akumulatorsko baterijo po uporabi do konca napolniti.

Za čim daljšo življenjsko dobo naj se akumulatorska baterija po napolnitvi vzame ven iz naprave za polnjenje.

Pri skladiščenju akumulatorske baterije dalj kot 30 dni:

Akumulatorsko baterijo skladiščiti pri temperaturi pod 27°C in na suhem.

Akumulatorsko baterijo skladiščiti pri 30%-50% stanja polnjenja.

Akumulatorsko baterijo spet napolniti vsakih 6 mesecev.

## 1.9 Transport litij-ionskih akumulatorskih baterij

Litij-ionske akumulatorske baterije so podvržene zakonskim določbam transporta nevarnih snovi.

Transport teh akumulatorskih baterij se mora izvajati upoštevajoč lokalne, nacionalne in mednarodne predpise in določbe.

- Uporabniki lahko te akumulatorske baterije enostavno transportirajo po cesti.
- Komercialni transport litij-ionskih akumulatorskih baterij s strani špediterskih podjetij je podvržen določbam transporta nevarnih snovi. Priprava odpreme in transporta se lahko vrši izključno s strani ustrezno izšolanih oseb. Celoten proces je potrebno strokovno spremljati.

Pri transportu akumulatorskih baterij je potrebno upoštevati sledeče točke:

- V izogib kratkim stikom zagotovite, da bodo kontakti zaščiteni in izolirani.
- Bodite pozorni na to, da akumulatorska baterija v notranjosti embalaže ne bo mogla zdrsniti.
- Poškodovanih ali iztekajočih akumulatorskih baterij ni dovoljeno transportirati.












Za nadaljnja navodila se obrnite na vaše špeditersko podjetje.

## 1.10 Vzdrževanje

Uporabljajte samo Milwaukee pribor in nadomestne dele. Poskrbite, da sestavne dele, katerih zamenjava ni opisana, zamenjajo v Milwaukee servisni službi (upoštevajte brošuro Garancija/Naslovi servisnih služb).

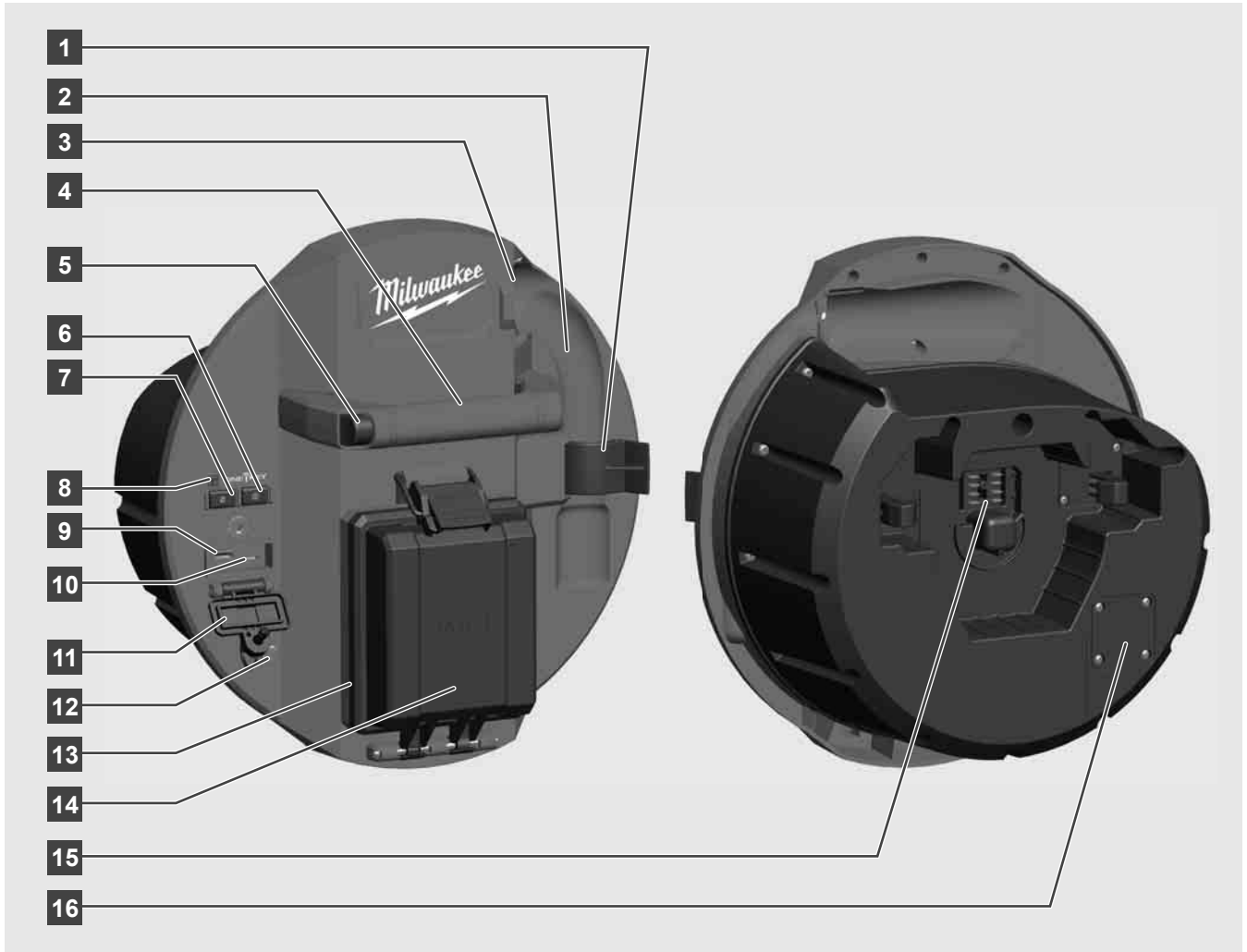
Po potrebi je mogoče pri vašem servisnem mestu ali neposredno pri Techtronic Industries GmbH, Max-Eyth-Straße 10, 71364 Winnenden, Germany, naročiti risbo posameznih delov naprave ob navedbi tipa naprave in na tablici navedene šestmestne številke.

## 1.11 Simboli

	POZOR! OPOZORILO! NEVARNOST!
	Pred vsemi deli na napravi odstranite akumulatorsko baterijo.
	Prosimo, da pred uporabo pozorno preberete to navodilo za uporabo.
	Nositi zaščitne rokavice!
	Pri delu z napravo vedno nosite zaščitna očala.
	Električnih naprav, baterij/akumulatorskih baterij ni dovoljeno odstranjevati skupaj z gospodinjskimi odpadki. Električne naprave in akumulatorske baterije je potrebno zbirati ločeno in za okolju prijazno odstranitev, oddati podjetju za reciklažo. Pri krajevnem uradu ali vašem strokovnem prodajalcu se pozanimajte glede reciklažnih dvorišč in zbirnih mest.
	Napetost
	Enosmerni tok
	Europejski Certifikat Zgodnosti
	Britanska oznaka o skladnosti
	Ukraiński Certifikat Zgodnosti
	Euroazjatycki Certifikat Zgodnosti

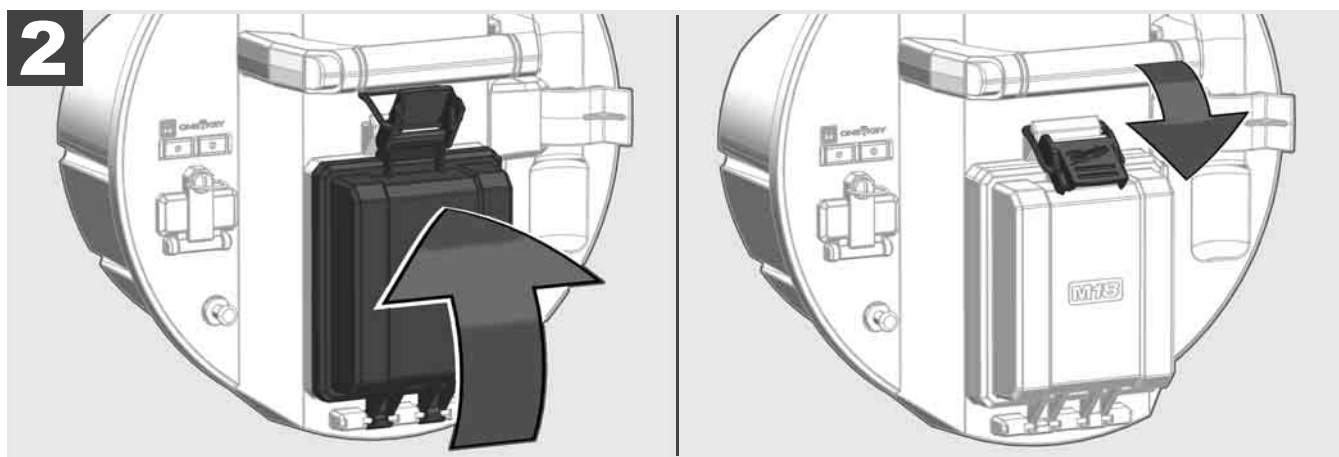
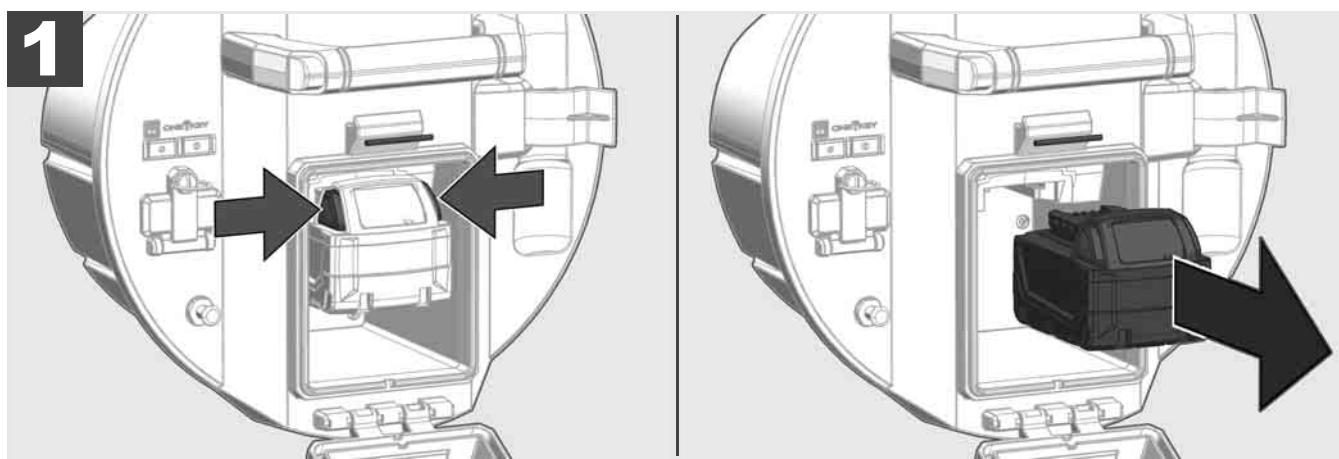
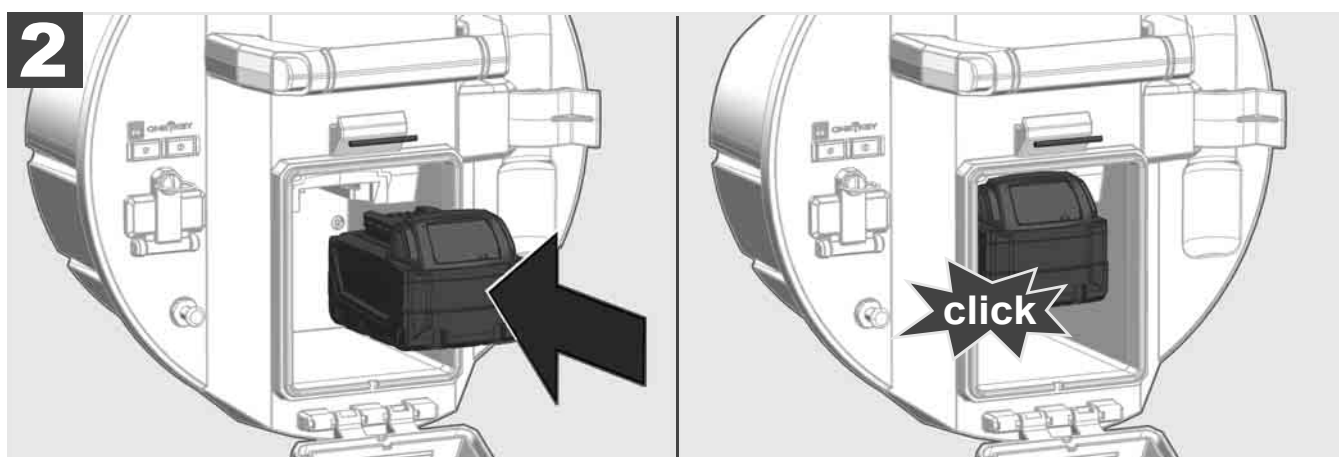
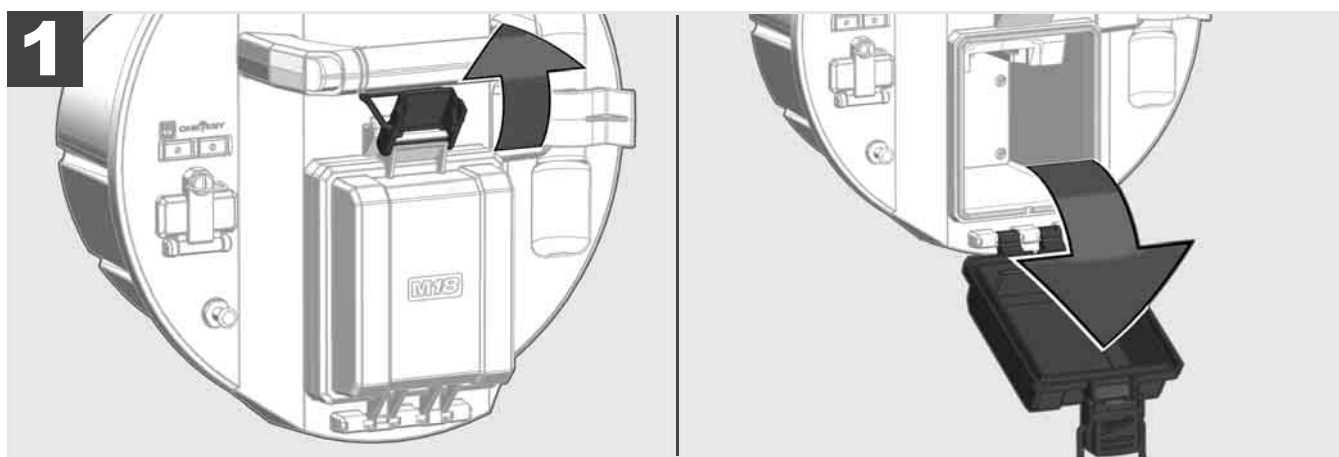
## 2 SMART HUB M18 SISH

### 2.1 Pregled Smart Hub-a M18 SISH

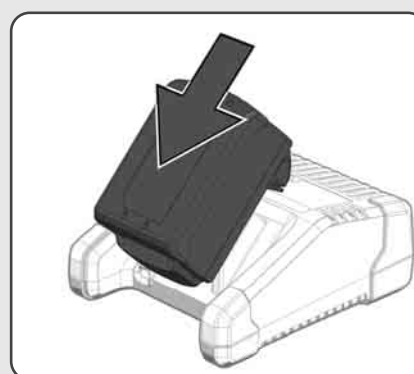


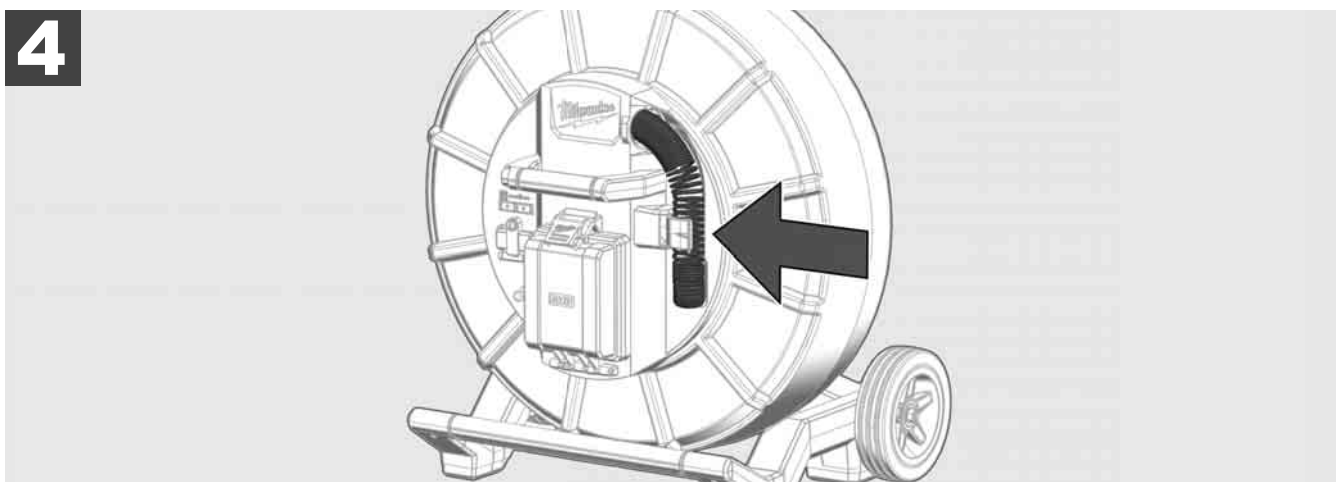
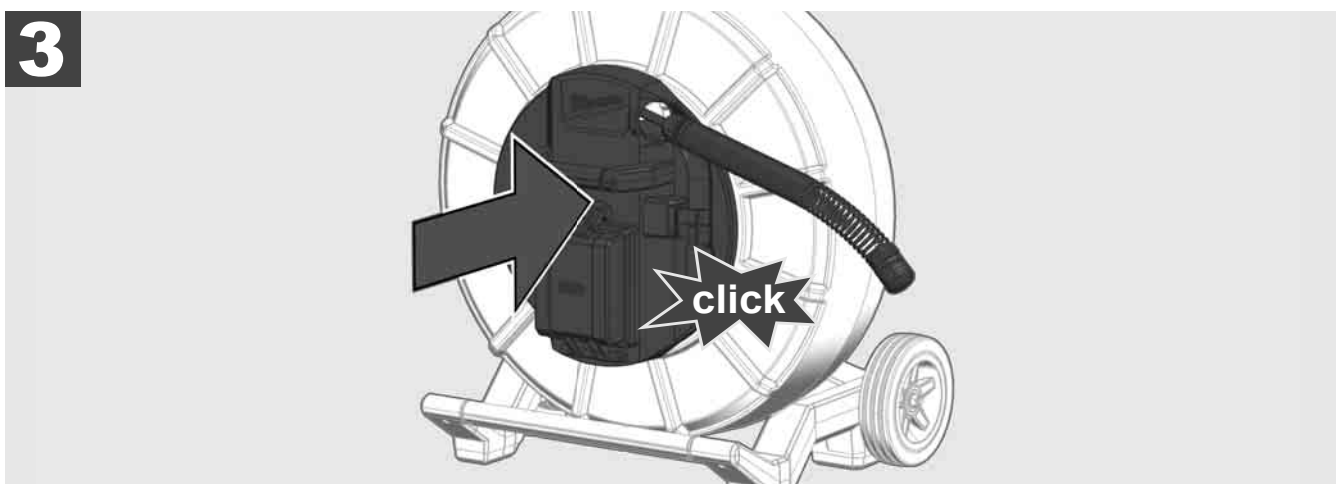
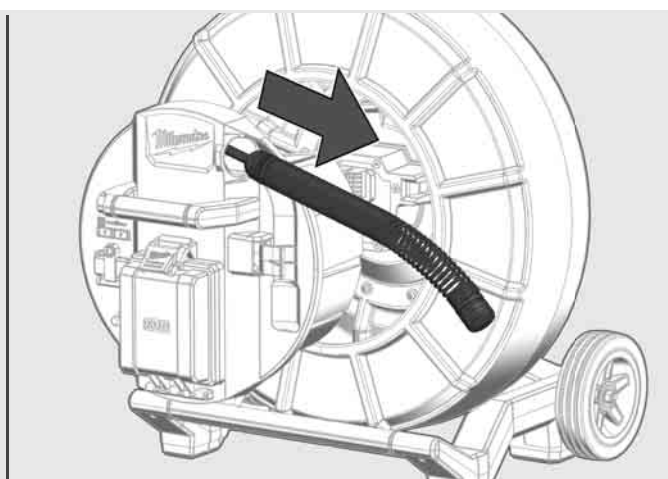
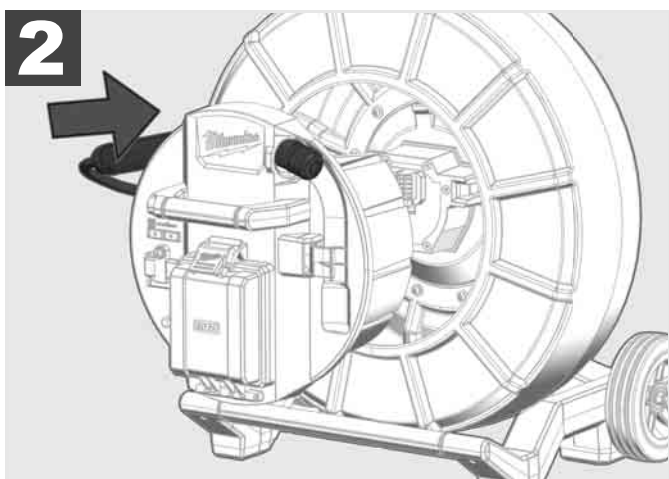
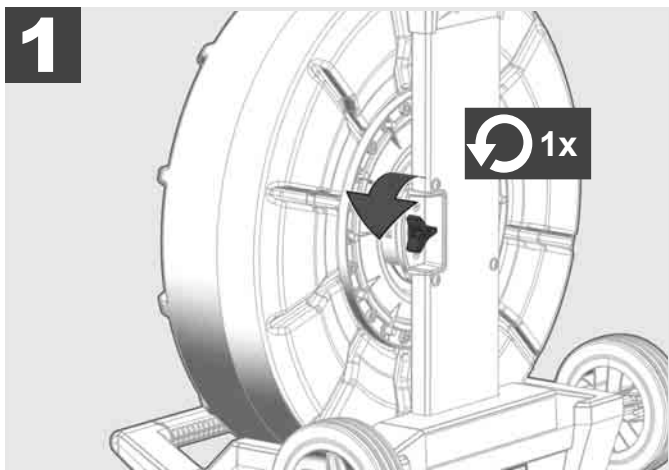
- 1 Pritrdilna sponka vzeti – za pritrjevanje vzmeti in kamere med prevozom.
- 2 Držalo vzeti – drži vzmet in kamero med prevozom in shranjevanjem na mestu.
- 3 Vodilo za kabel – pred namestitvijo Smart Hub-a napeljite vzmeti in potisni kabel skozi vodilo.
- 4 Ročaj
- 5 Tipka za sprostitev – pritisnite to tipko, da Smart Hub sprostite z navijala za pregled cevi.
- 6 Glavno stikalo – pritisnite enkrat na kratko, da vklopite napravo; pridržite, da napravo izklopite.
- 7 Tipka za ponastavitev dolžine kabla – nastavi dolžino odvitega kabla na nič.
- 8 Prikaz LED ONE-KEY
- 9 Vrata USB-A – za neposredno shranjevanje videoposnetkov in fotografij ter za posodobitve strojne programske opreme.
- 10 Vrata USB-C – izbirni napajalni in podatkovni priključek za povezavo brezžičnega monitorja M18 SIM s Smart Hub-om.
- 11 Pokrov priključka USB – vodotesen pokrov, ki priključki USB ščiti pred prahom in vlago.
- 12 Ozemljitvena palica – za ozemljitev Smart Hub-a pri sledenju potisnega kabla.
- 13 Pokrov akumulatorske baterije – vodotesen pokrov, ki akumulatorsko baterijo ščiti pred prahom in vlago.
- 14 Predal za akumulatorsko baterijo – za akumulatorsko baterijo M18™
- 15 Priključek za povezavo Smart Hub-a in navijala za pregled cevi.
- 16 Testni priključek kamere – za odpravljanje napak pri težavah z glavo kamere

## 2.2 Vstavljanje in odstranjevanje akumulatorske baterije



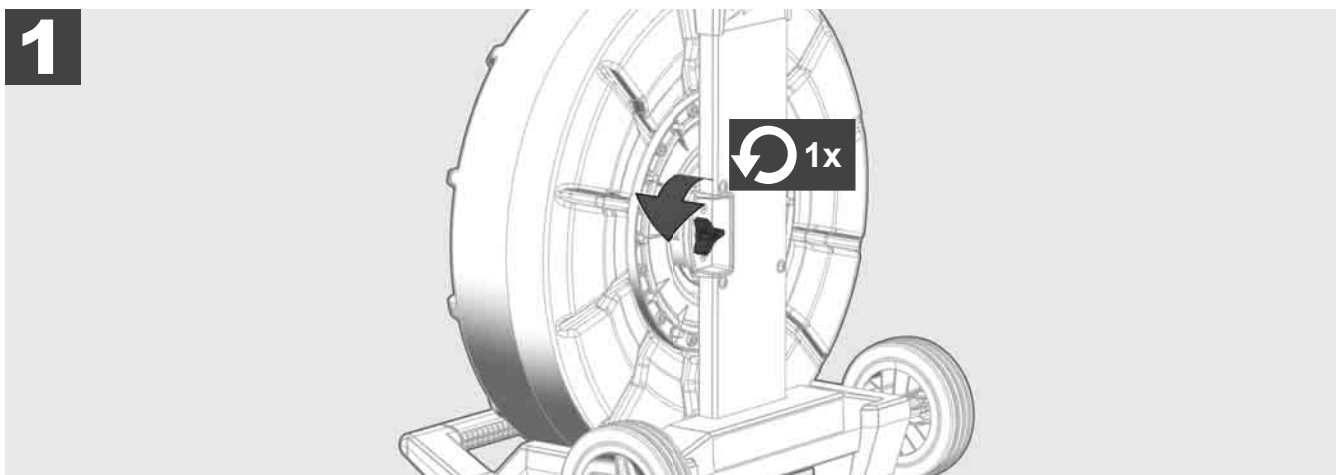
## 2.3 Preverjanje stanja akumulatorske baterije



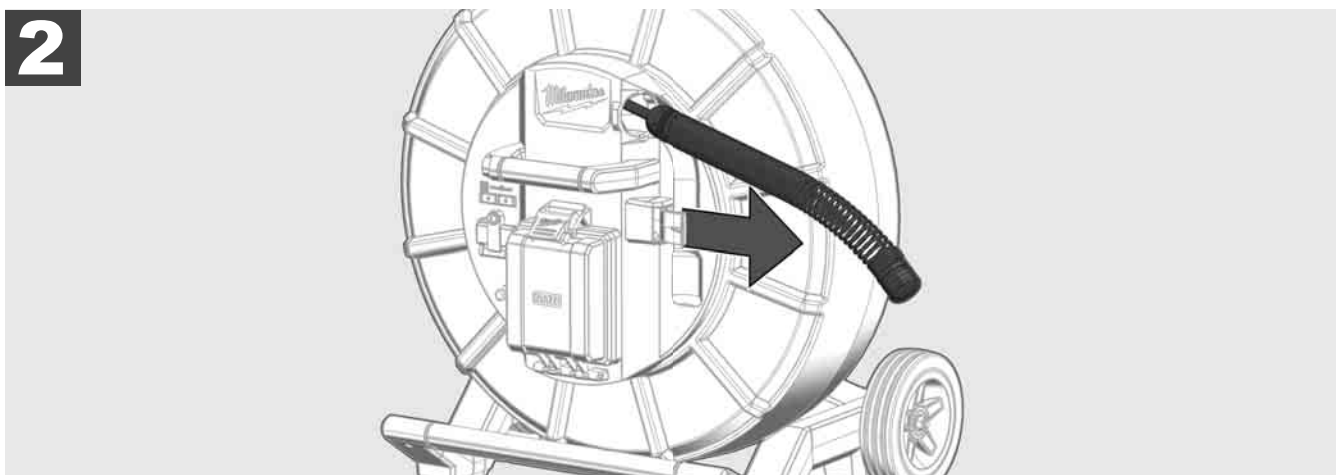




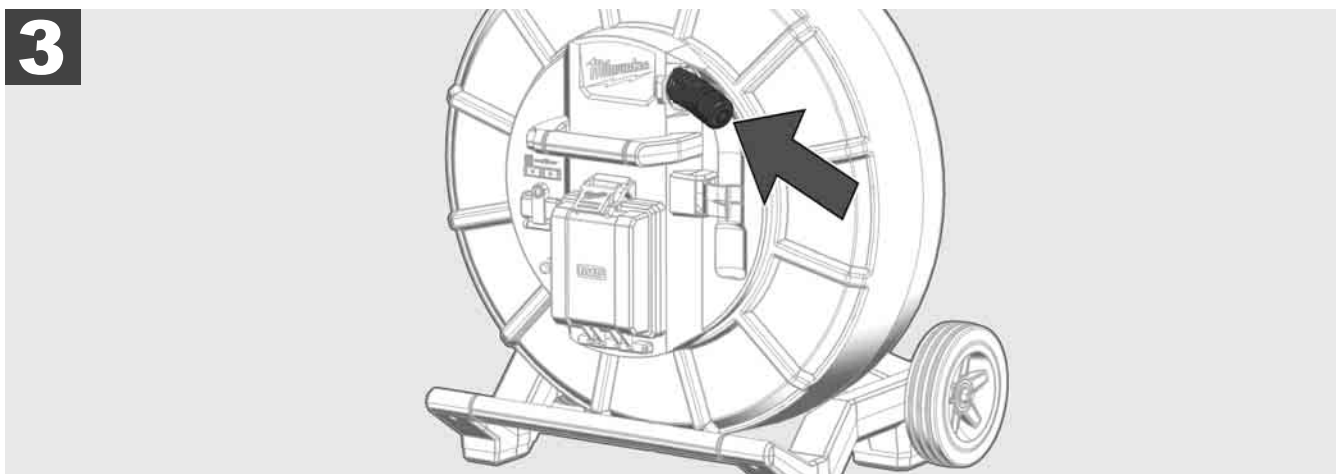
**1**



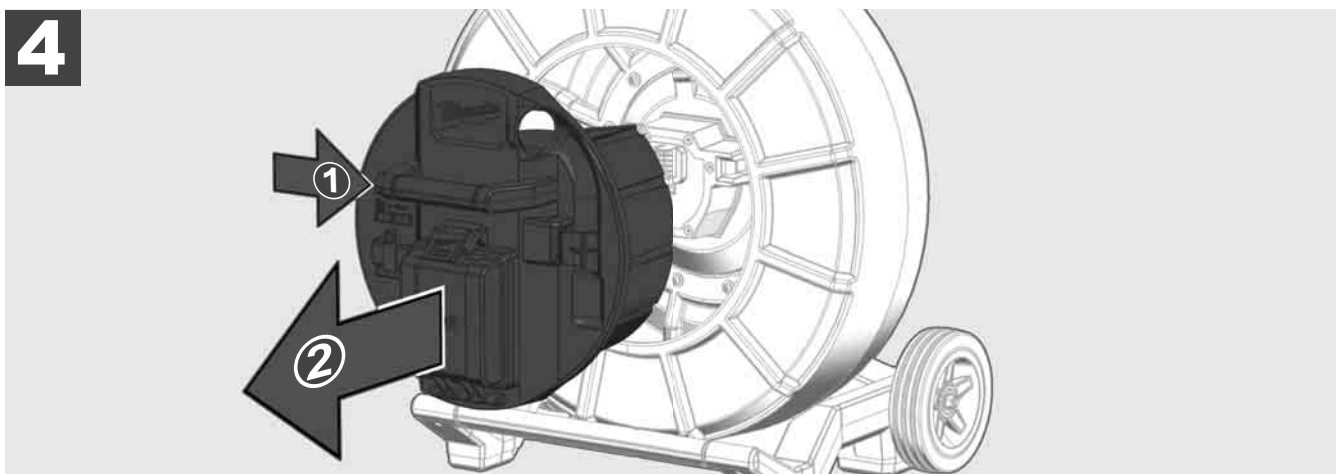
**2**



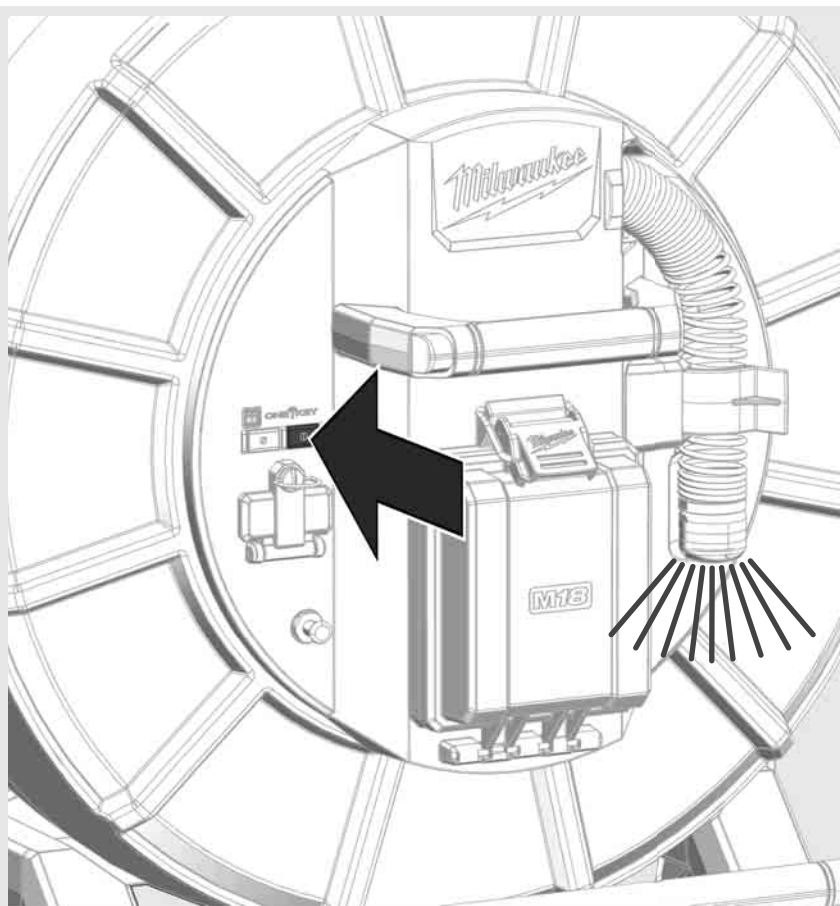
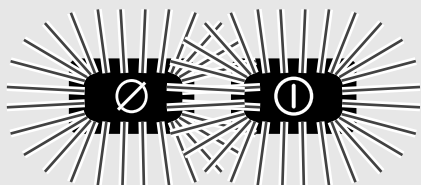
**3**



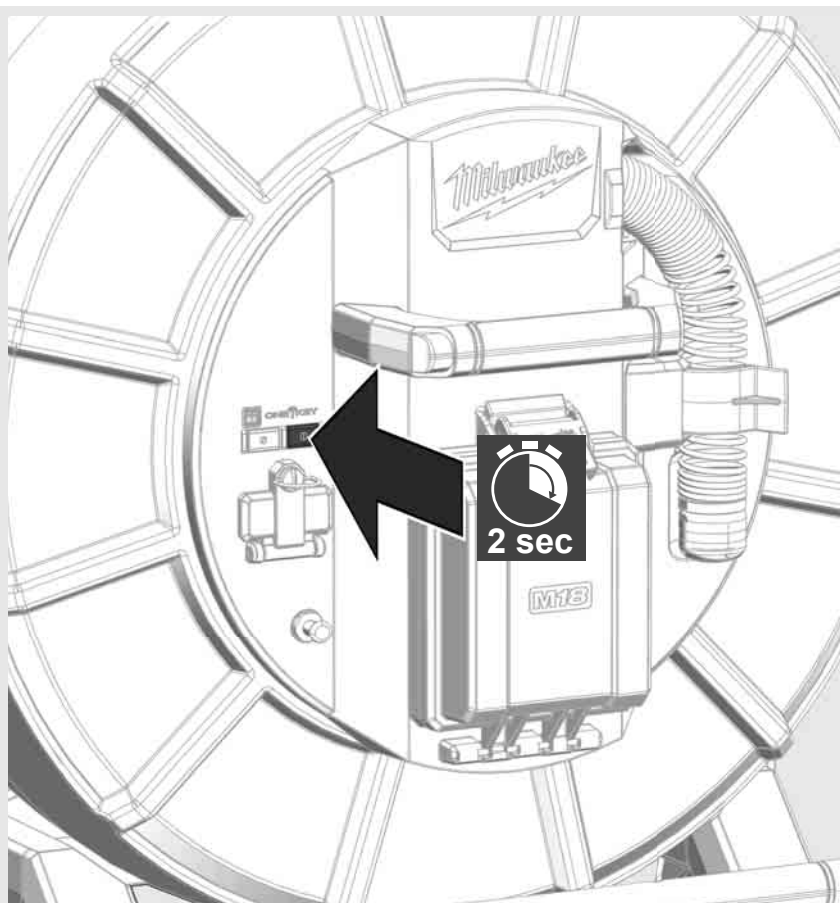
**4**



**ON**



**OFF**





## 2.7 Priklučitev monitorja

Če želite spremeniti nastavitve SISTEMA ZA PREGLED CEVI, krmiliti njegove funkcije in prikazati slike in videoposnetke, posnete s kamero, potrebujete zunanjo prikazno napravo.

Zunanja prikazna naprava ni v obsegu dobave SISTEMA ZA PREGLED CEVI in jo je treba kupiti posebej.

Na voljo so naslednje možnosti:

- MILWAUKEE BREZŽIČNI MONITOR M18 SIM
- Tablični računalnik ali pametni telefon z APLIKACIJO ZA PREGLED CEVI MILWAUKEE

BREZŽIČNI MONITOR se prek WLAN-a ali vrat USB-C priključi na SISTEM ZA PREGLED CEVI in je takoj pripravljen za uporabo. Pri uporabi tabličnega računalnika ali pametnega telefona na zadevno napravo najprej namestite APLIKACIJO ZA PREGLED CEVI MILWAUKEE.

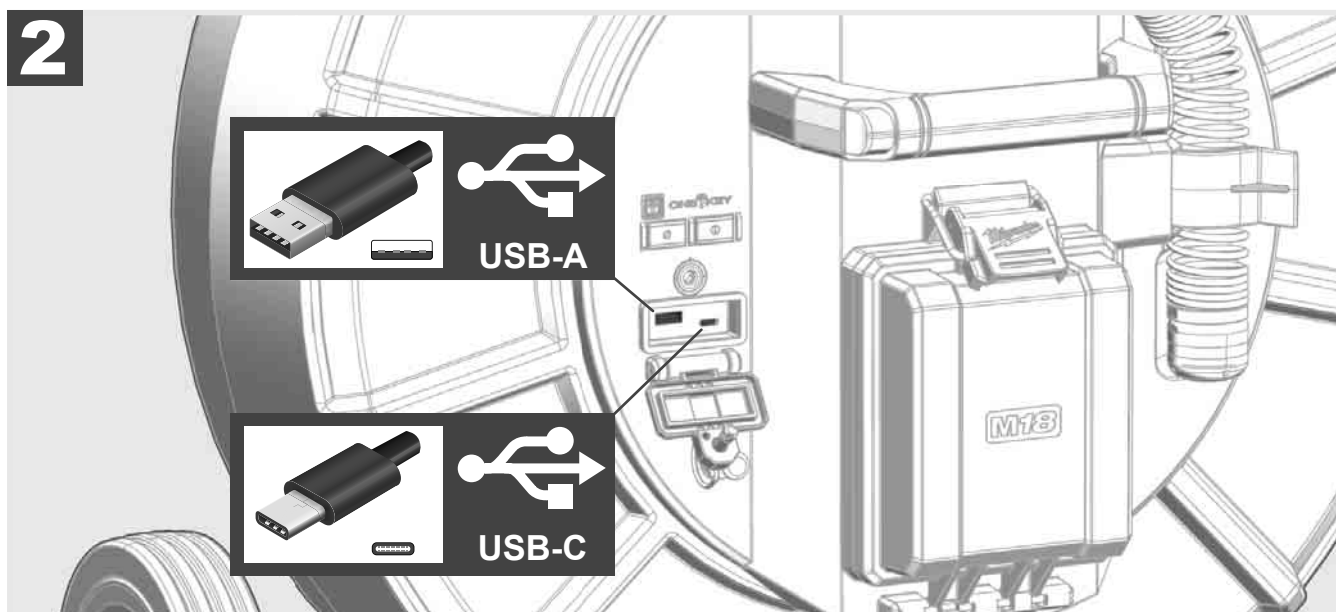
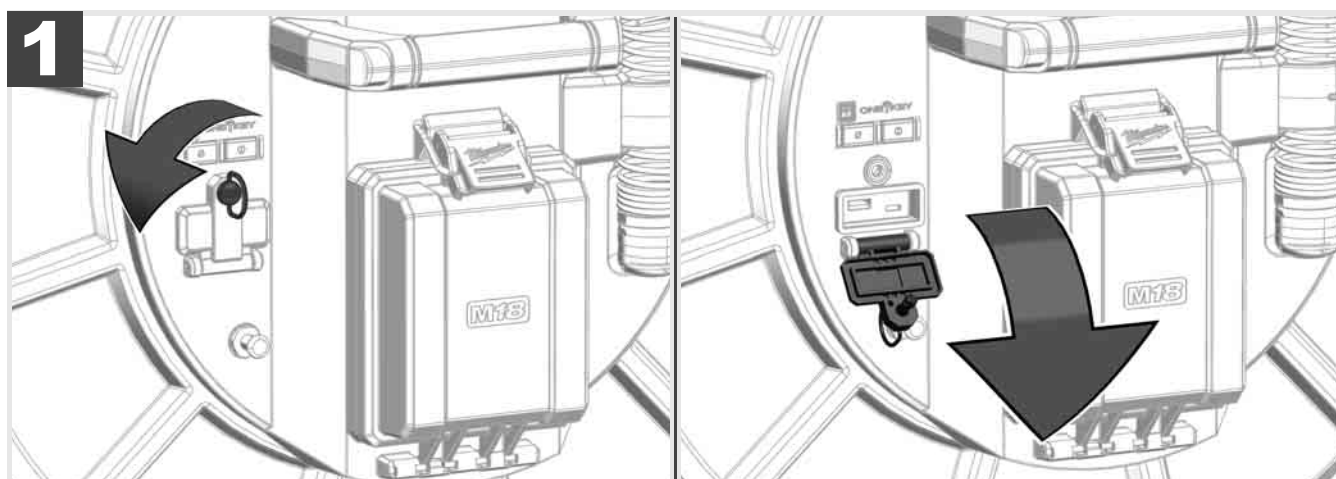
### **PRVA UPORABA Z BREZŽIČNIM MONITORJEM M18 SIM:**

1. Vključite SMART HUB in BREZŽIČNI MONITOR.
2. BREZŽIČNI MONITOR se v 25 sekundah samodejno poveže s SMART HUB-om.

\*Za povezavo s kablom povežite monitor s kablom USB-C s Smart Hub-om.

### **PRVA UPORABA S PAMETNIM TELEFONOM ALI TABLIČNIM RAČUNALNIKOM:**

1. Naložite in namestite APLIKACIJO ZA PREGLED CEVI MILWAUKEE.
2. Vključite SMART HUB in prikazno napravo.
3. Izberite možnost Nastavitve > WLAN.
4. Izberite možnost MTCAM\_[LAST 9 DIGITS OF HUB SERIAL #].
5. Vnesite geslo: 29702000
6. Zaženite APLIKACIJO ZA PREGLED CEVI MILWAUKEE.

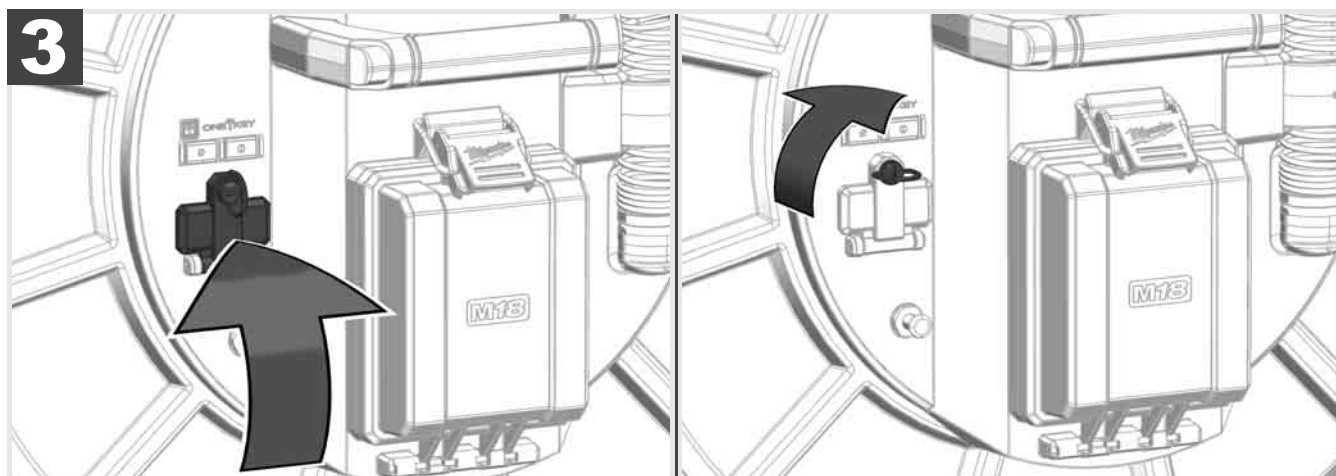


### USB-A

- Vrata za normalno uporabo. Dovoljuje neposredno snemanje datotek z videoposnetki in slikovnih datotek oz. njihov prenos z internega pogona Smart Hub-a.
- Omogoča izvedbo posodobitev strojne programske opreme na Smart Hub-u.

### USB-C

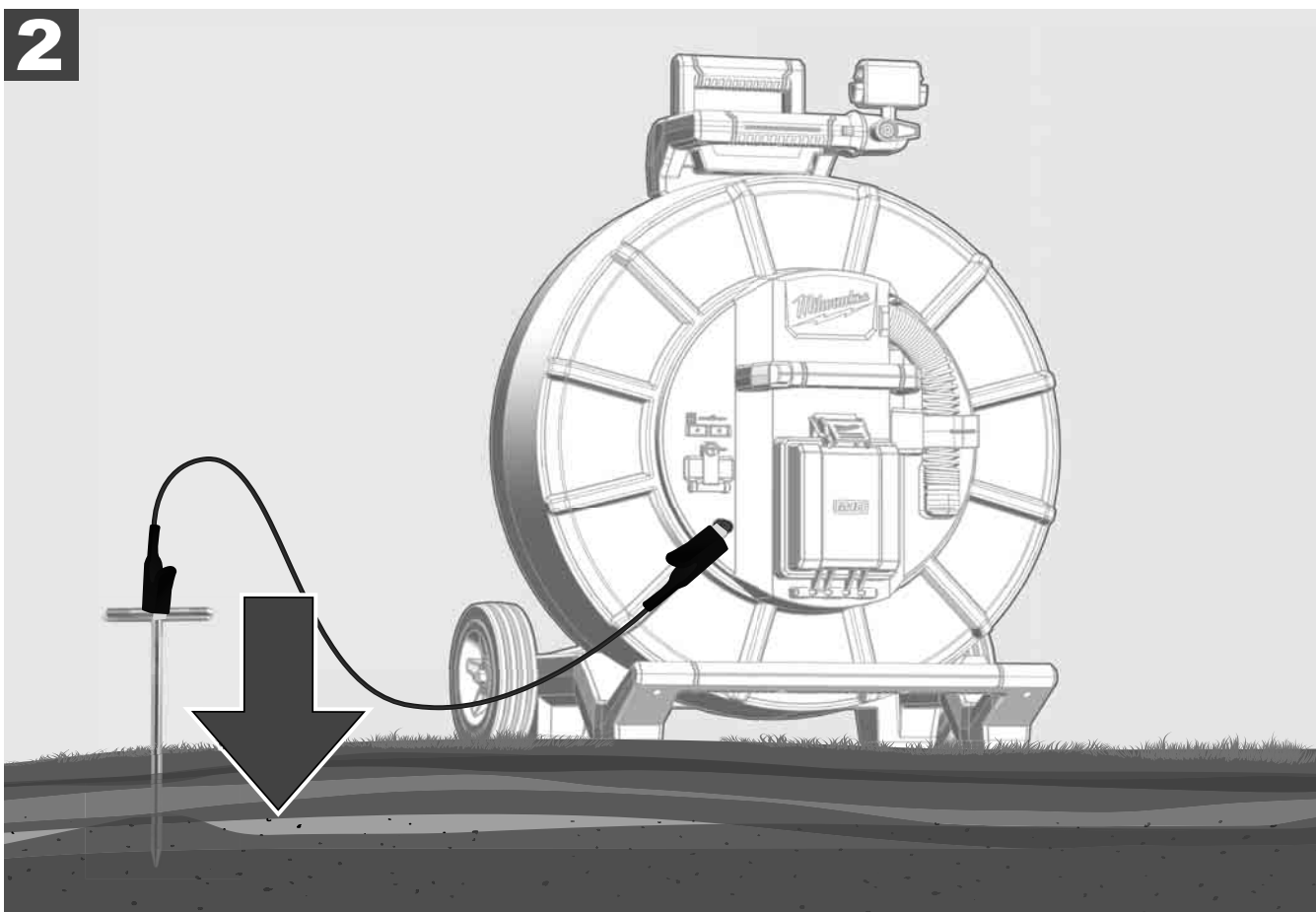
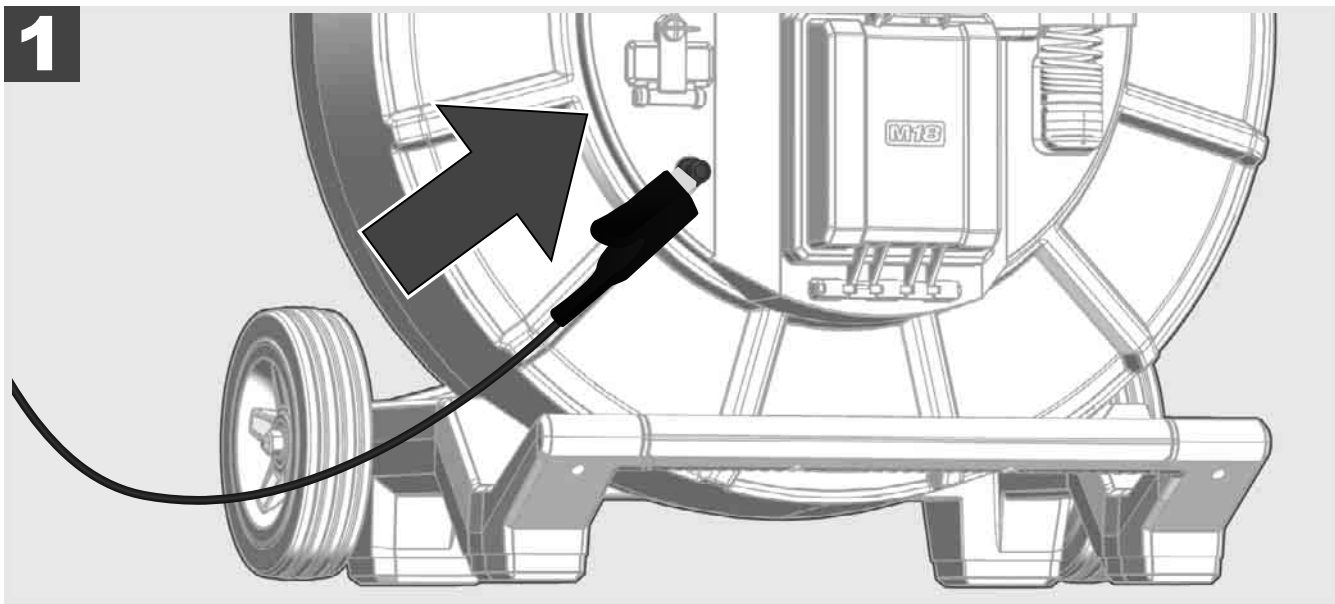
- Omogoča povezavo med brezžičnim monitorjem M18 SIM in Smart Hub-om brez povezave WLAN. Napajanje Smart Hub-a prek brezžičnega monitorja M18 SIM ali obratno, če akumulatorska baterija ni napolnjena.



## 2.9 Ozemljitvena palica



Ozemljitveno palico je treba uporabiti vedno takrat, ko se sledi potisni kabel prek funkcije SLEDENJE KABLA. Smart Hub je treba ozemljiti, da je električna zanka sklenjena in da se pošlje dober signal položaja. Uporabite priloženi ozemljitveni kabel z ozemljitveno palico za ozemljitev Smart Hub-a.

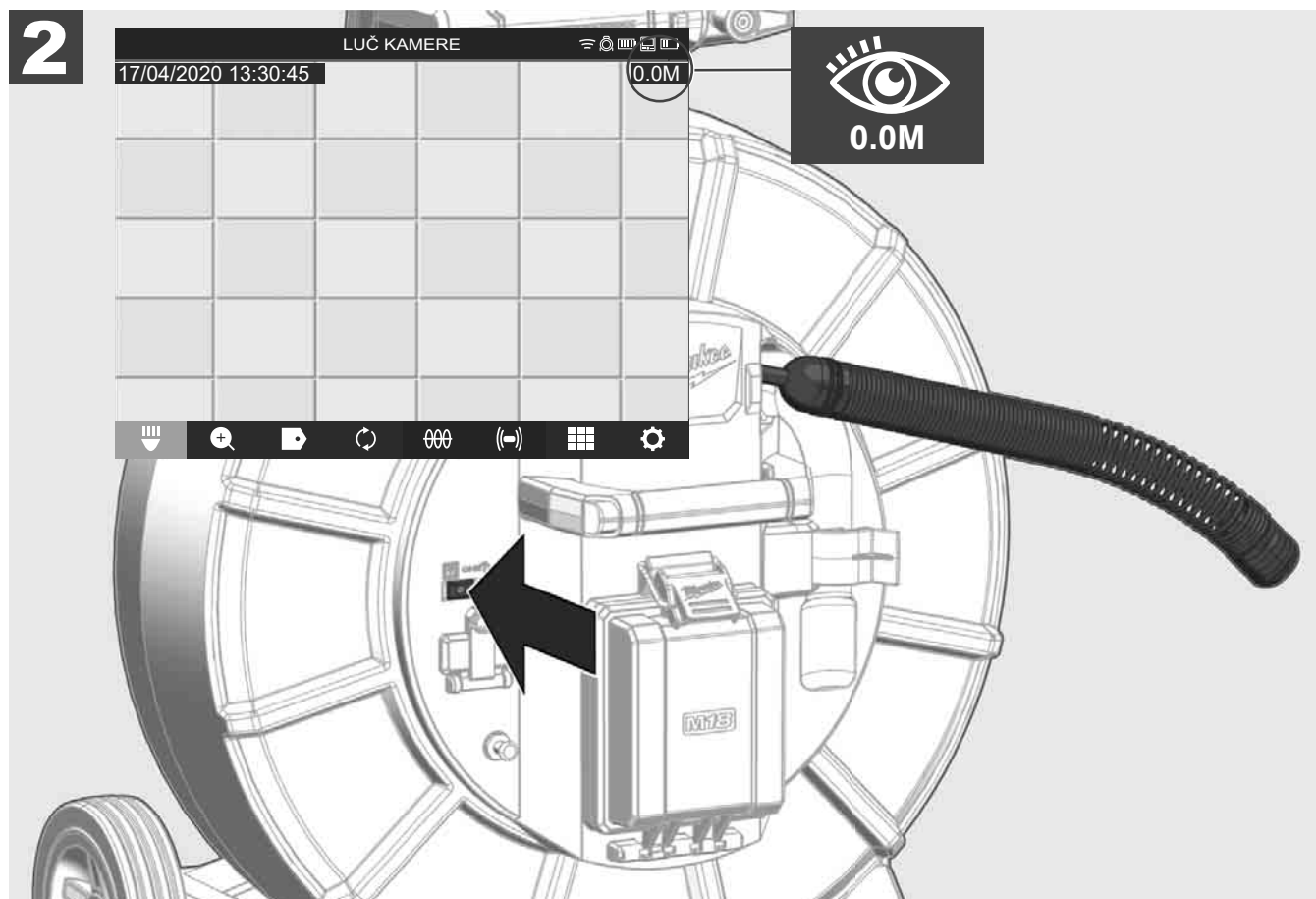
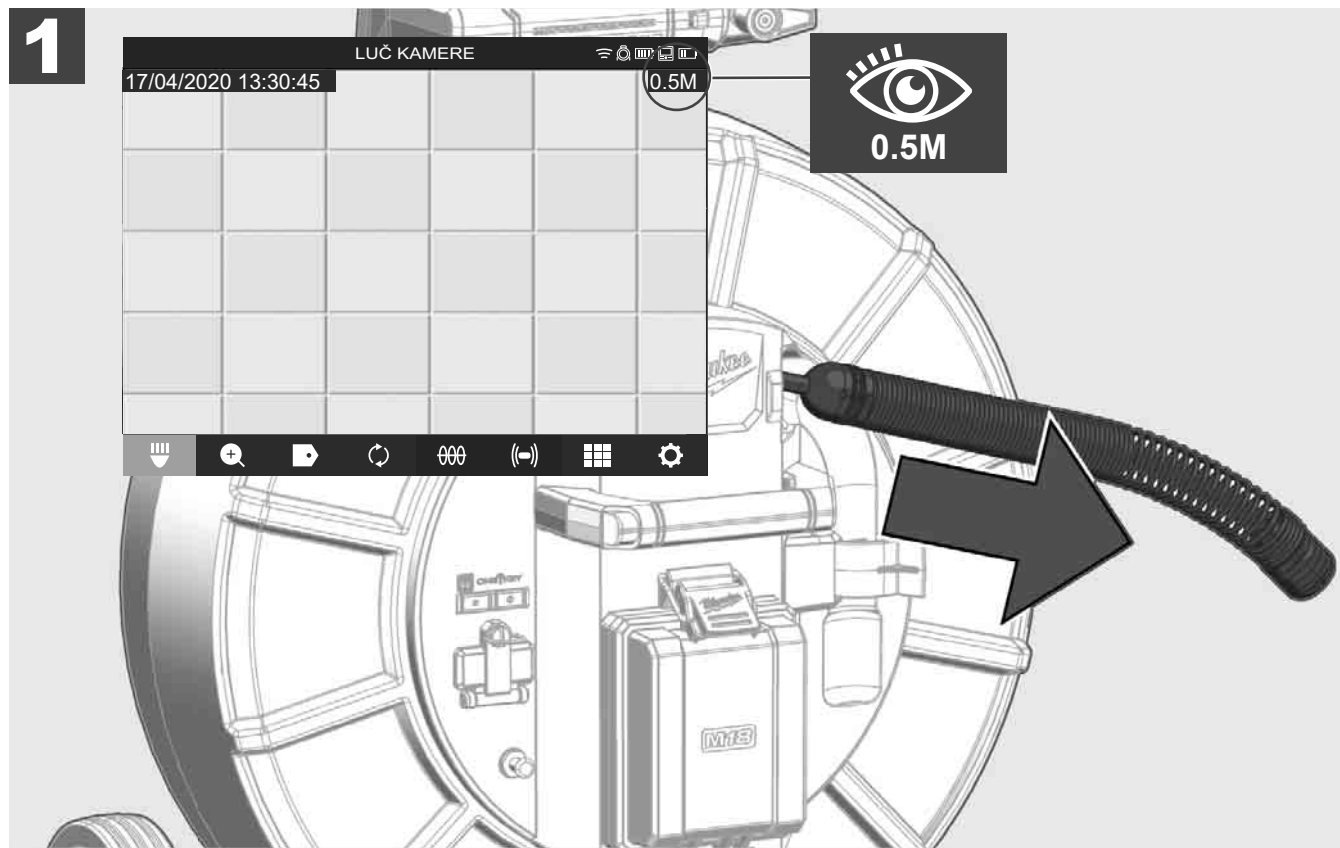


## 2.10 Ponastavitev števca dolžine



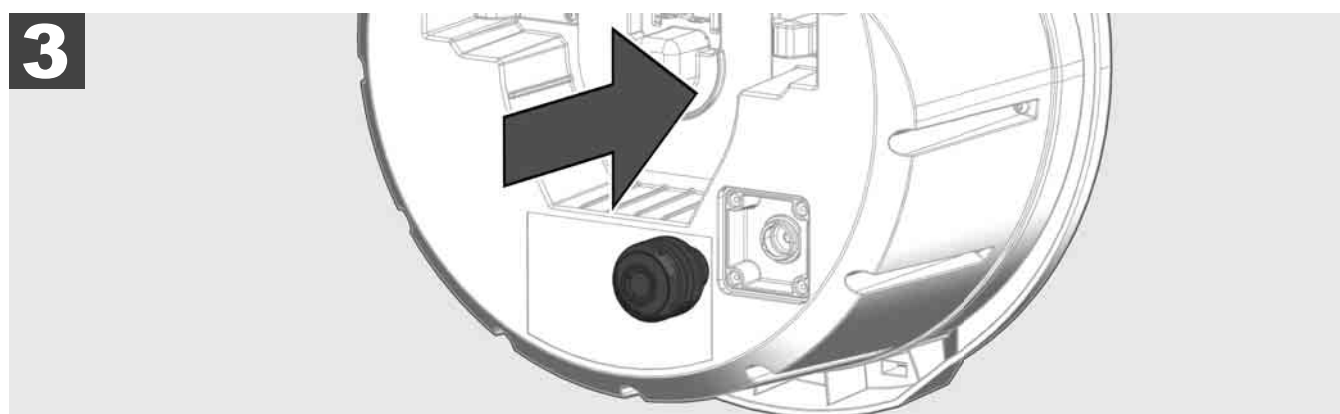
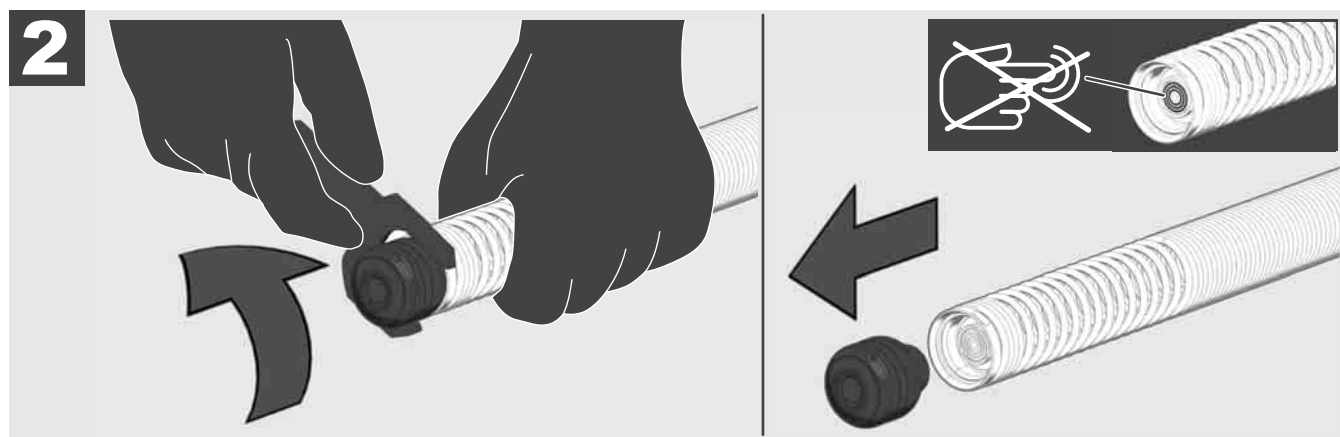
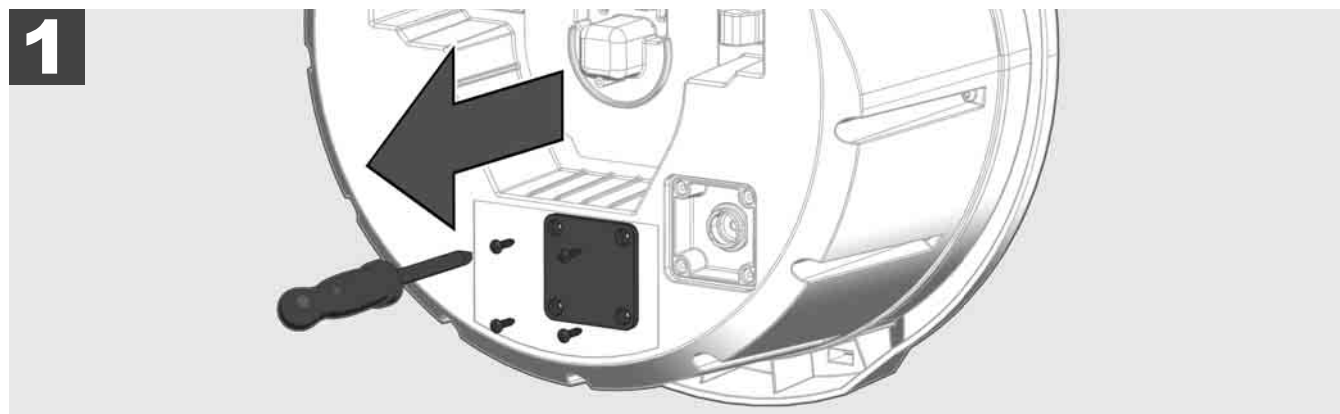
Pri odvijanju NAVIJALA ZA PREGLED CEVI se prikaže dolžina odvitega kabla na vrstici stanja brezžičnega monitorja M18 SIM.

Za ponastavitev prikaza pritisnite tipko .



## 2.11 Testni priključek kamere


Če pride do težav z glavo kamere, lahko kamero preverite s testnim priključkom.



## 2.12 Formatiranje internega pogona in USB ključa

S to funkcijo lahko formatirate interni pogon 500 GB Smart Hub-a ali USB ključa.

Ključ USB je treba formatirati v formatu FAT32.

1. Izberite **NASTAVITVE**  → **FORMATIRANJE POMNILNIKA**
2. Izberite pomnilnik.



3. Potrdite sporočilo na zaslonu.




Izbrani pogon se formatira in sistem se vrne v meni **NASTAVITVE**.

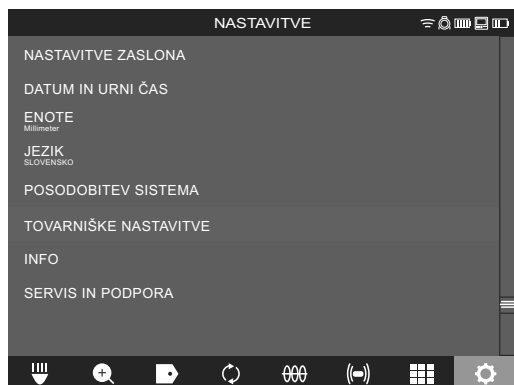
## 2.13 Tovarniške nastavitve

Izbira Tovarniške nastavitve ponastavi Smart Hub M18 SISH na tovarniške nastavitve.

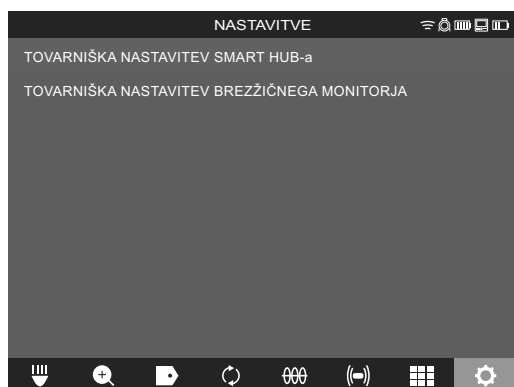
Ponastavijo se naslednje nastavitve Smart Hub-a M18 SISH:

- OZNAKE se izbrišejo.
- Nastavitve za VIDEOPOSNETKE in SLIKE se ponastavijo na 1080 P.
- IME PODJETJA se izbriše.
- FREKVENCA SONDE se nastavi na tovarniško nastavitvev.
- SLEDENJE KABLA se nastavi na tovarniško nastavitvev.
- NASTAVITVE ZASLONA se nastavijo na tovarniško nastavitvev: barvni odtenek, svetlost, kontrast, nasičenost.
- MERILNE ENOTE

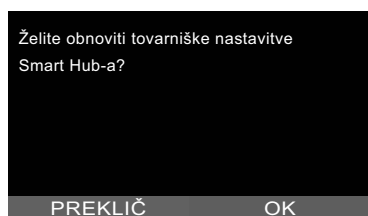
1. Izberite **NASTAVITVE**  → **TOVARNIŠKE NASTAVITVE**



2. Izberite **TOVARNIŠKE NASTAVITVE** Smart Hub M18 SISH.



3. Preberite sporočilo o ponastavitvi in potrdite z OK.



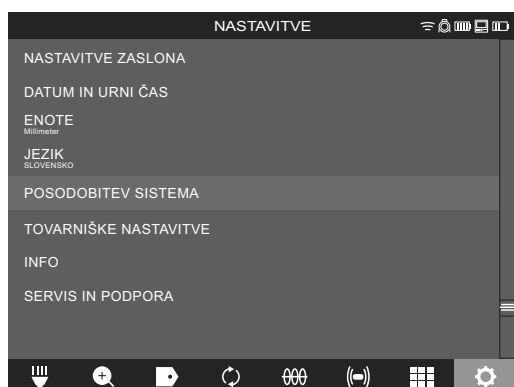
Ponastavitvev na tovarniške nastavitve je končana in sistem se vrne v podmeni **TOVARNIŠKE NASTAVITVE**.

## 2.14 Posodobitev sistema

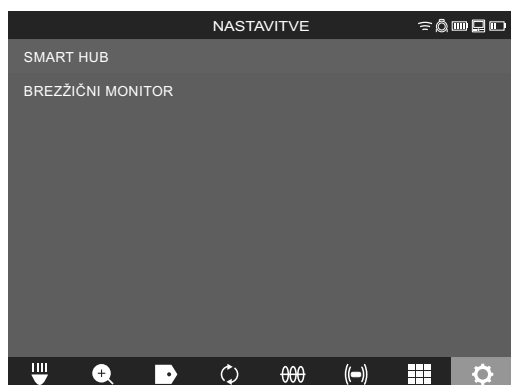
Pred posodobitvijo sistema odprite meni **NASTAVITVE** → **INFO** in zabeležite trenutno strojno programsko opremo.

Posodobitev strojne programske opreme je mogoče izvesti ali prek brezžičnega monitorja M18 SIM ali s tabličnim računalnikom z aplikacijo za pregled cevi Milwaukee®.

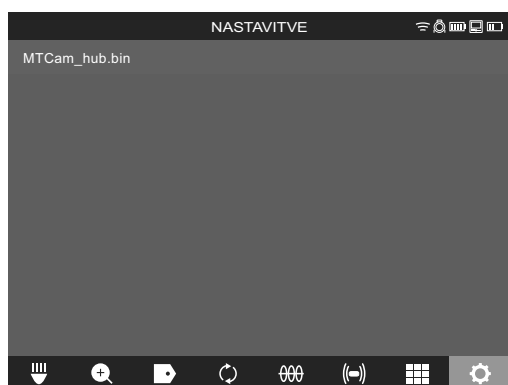
1. Vključite Smart Hub M18 SISH in brezžični monitor M18SIM ali tablični računalnik z aplikacijo za pregled cevi Milwaukee®.
2. Zagotovite, da je brezžični monitor M18 SIM oz. tablični računalnik povezan prek WLAN-a s Smart Hub-om M18 SISH. Če ni povezave WLAN, jo najprej vzpostavite.
3. Ključ USB s posodobitvijo strojne programske opreme vtaknite v vrata USB-A Smart Hub-a M18 SISH.
4. Izberite **NASTAVITVE** → **POSODOBITEV SISTEMA**



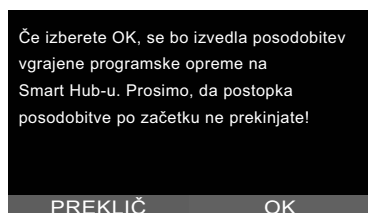
5. Izberite Smart Hub M18 SISH.



6. Ime datoteke posodobitve se prikaže na zaslону. Za zagon posodobitve izberite **IME DATOTEKE**.

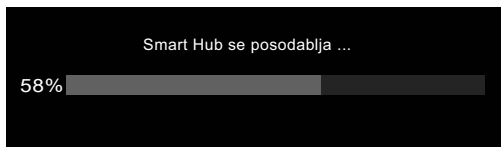


7. Preberite sporočilo o opozorilu in potrdite z OK.

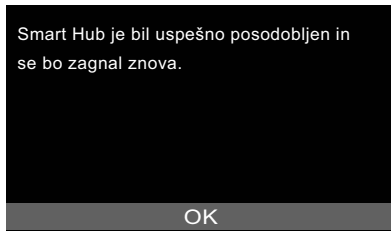




8. V vrstici za napredek se prikaže potek posodobitve.



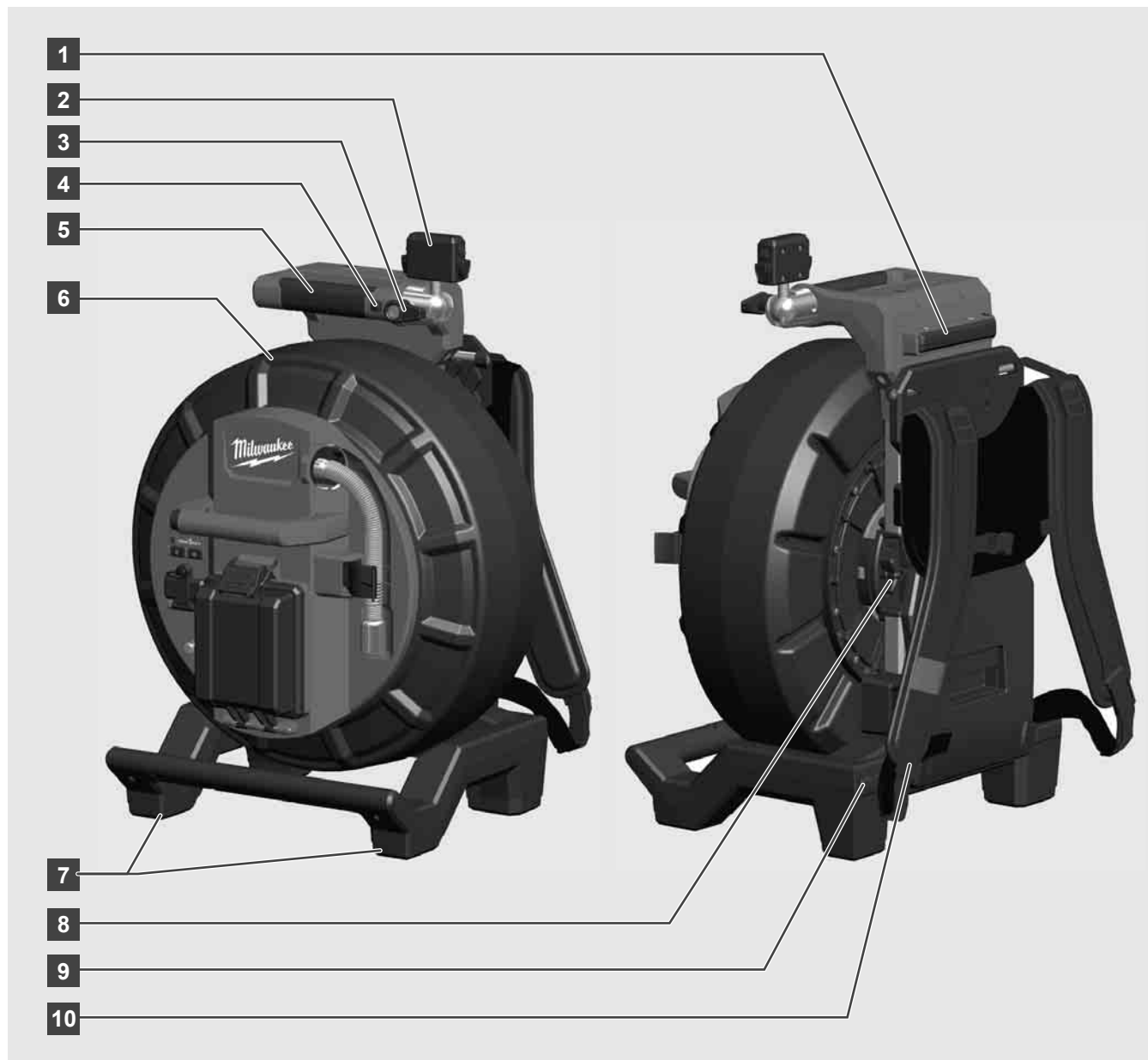
9. Na koncu posodobitve se prikaže sporočilo, ki ga je treba potrditi. Za ponovni zagon sistema izberite OK.



10. Če želite preveriti, ali je bila različica strojne programske opreme posodobljena, izberite **NASTAVITVE** → **INFO**.

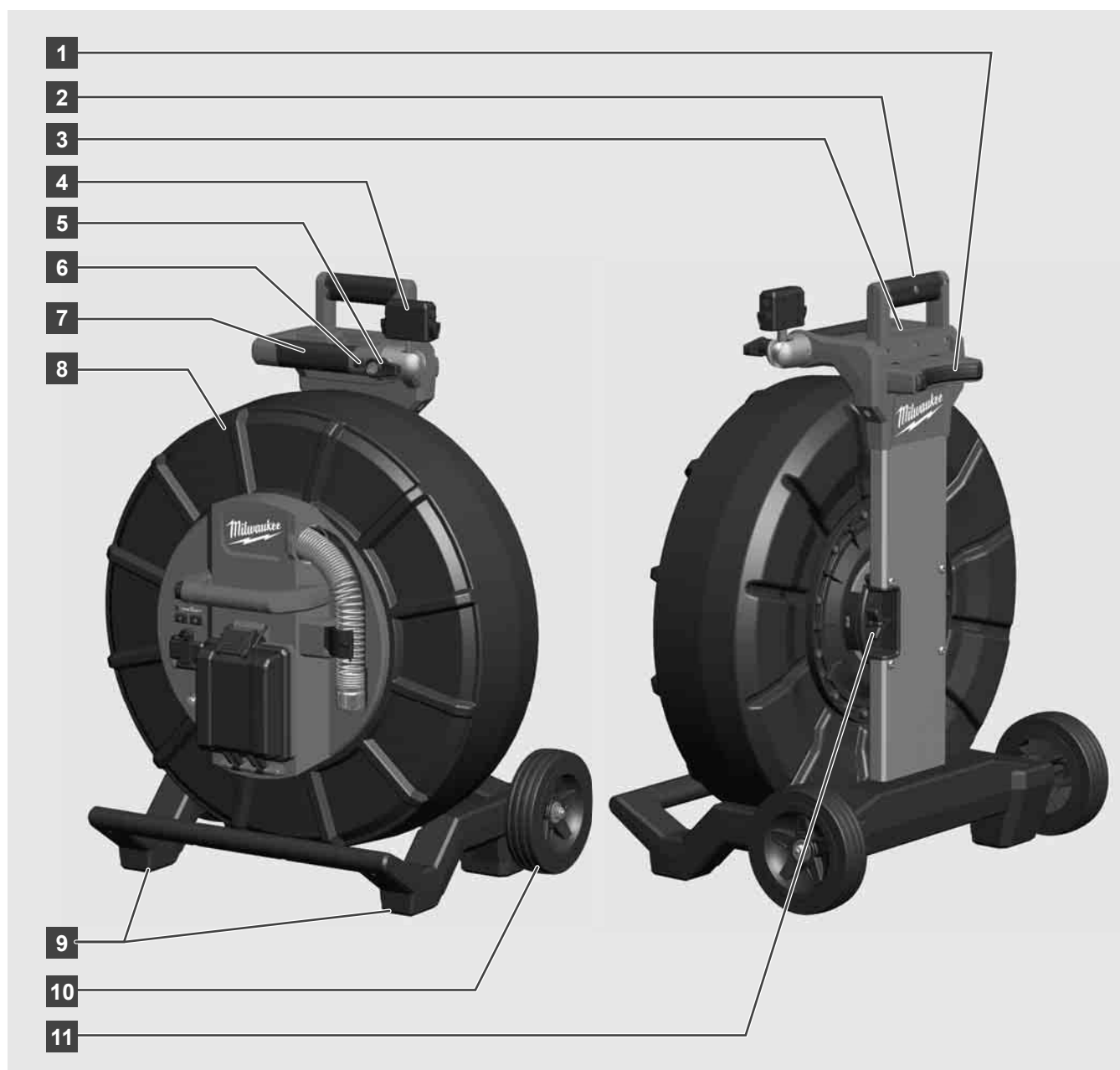
### 3 NAVIJALO ZA PREGLED CEVI

#### 3.1 Pregled navijala za pregled cevi M18 SIC36



- 1 Nastavitvena noga za vodoravno uporabo
- 2 Brezžični monitor M18 SIM – nosilec za tablični računalnik in priključek
- 3 Brezžični monitor M18 SIM – vrtljivi zaklep
- 4 Brezžični monitor M18 SIM – nagibni zaklep
- 5 Ročaj
- 6 Navijalo kabla s potisnim kablom
- 7 Nastavitvena noga za navpično uporabo
- 8 Zavora navijala kabla
- 9 Nastavitvena noga za vodoravno uporabo
- 10 Nosilna priprava

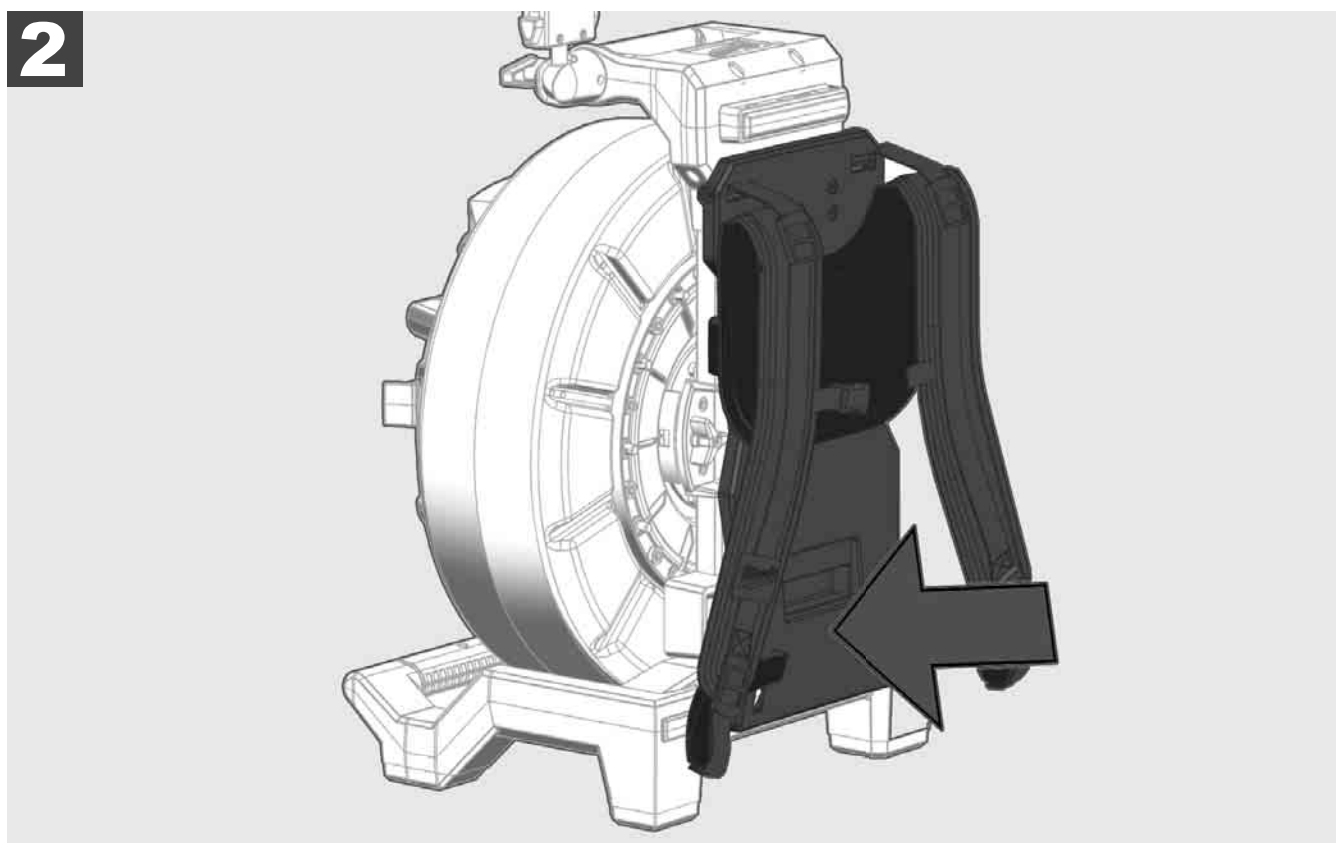
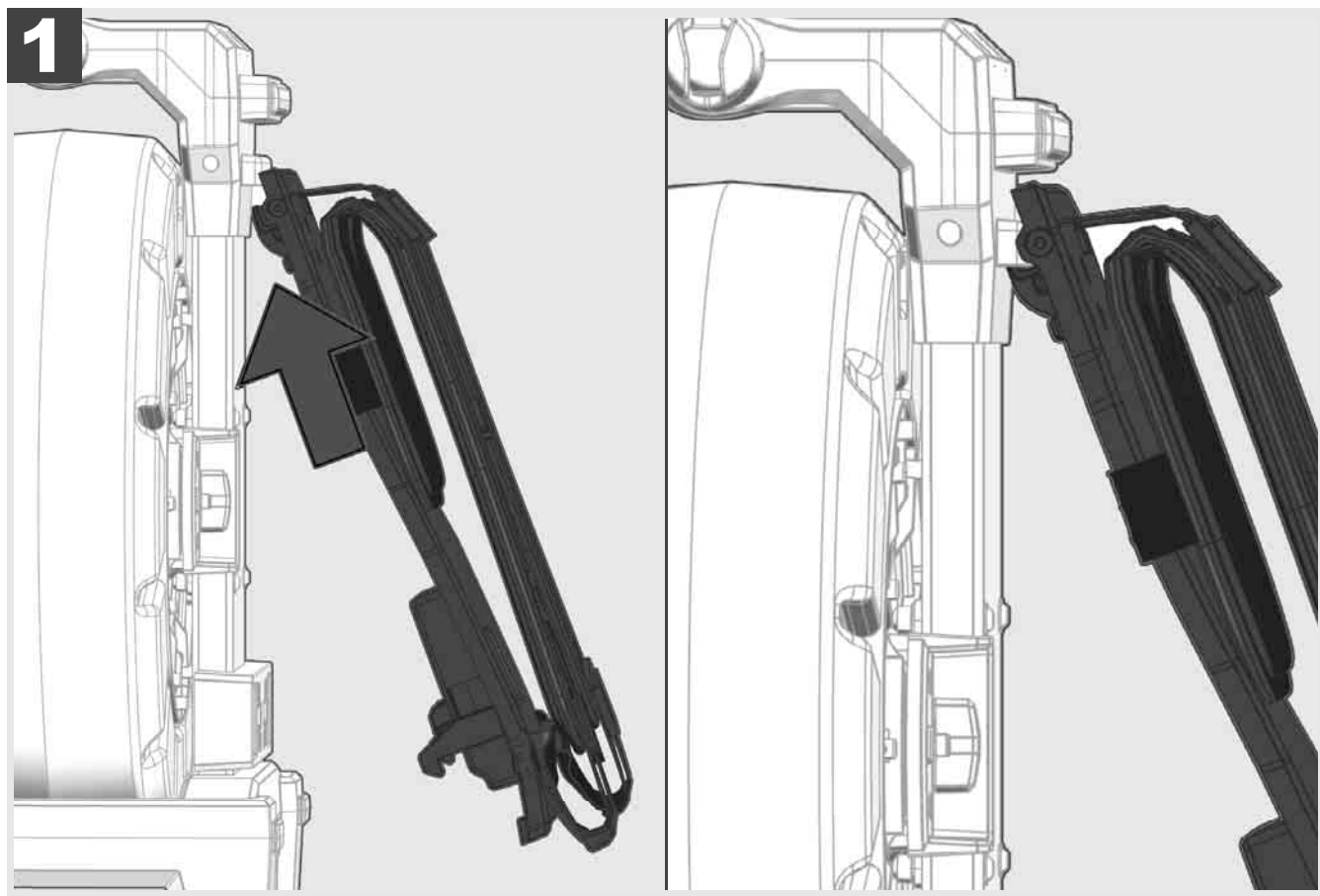
### 3.2 Pregled navijala za pregled cevi M18 SIC60



- 1 Nastavitvena noga za vodoravno uporabo
- 2 Izvlečni ročaj (v vstavljenem položaju)
- 3 Tipka za zaklepanje in odklepanje izvlečnega ročaja
- 4 Brezžični monitor M18 SIM – nosilec / nosilec za tablični računalnik in priključek
- 5 Brezžični monitor M18 SIM – zaklep proti vrtenju
- 6 Brezžični monitor M18 SIM – zaklep proti nagibanju
- 7 Ročaj
- 8 Navijalo kabla s potisnim kablom
- 9 Nastavitvena noga za navpično uporabo
- 10 Kolesa
- 11 Zavora navijala kabla

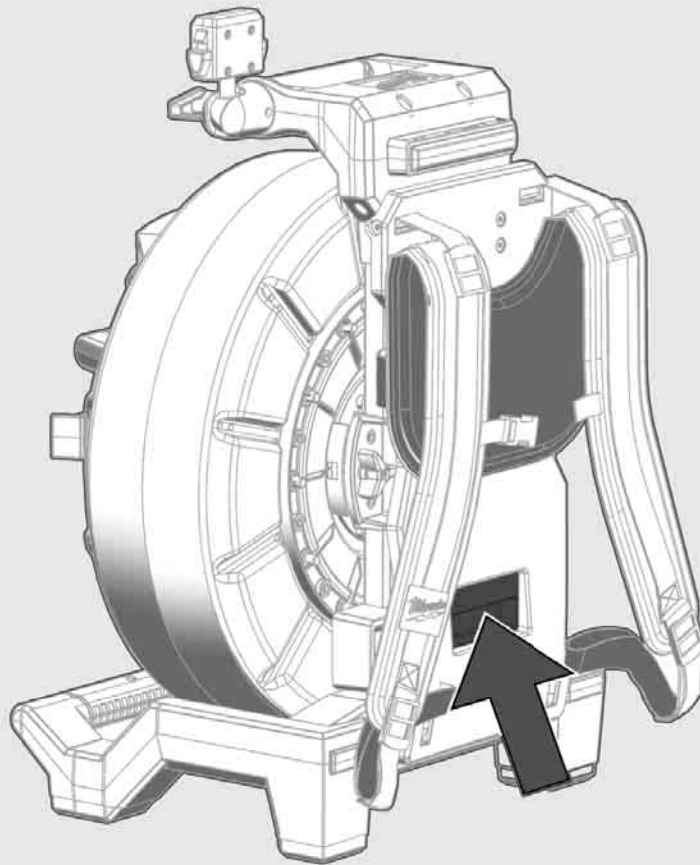
### 3.3 Namestitev nosilne priprave

NAVIJALO ZA PREGLED CEVI M18 SIC36 je opremljeno z nosilno pripravo, s katero lahko navijalo nesete na hrbtu kot nahrbtnik. Tako lahko majhno navijalo udobno prenesete na kraj uporabe, kar je priročno predvsem pri vzpenjanju po stopnicah ali uporabi lestev.

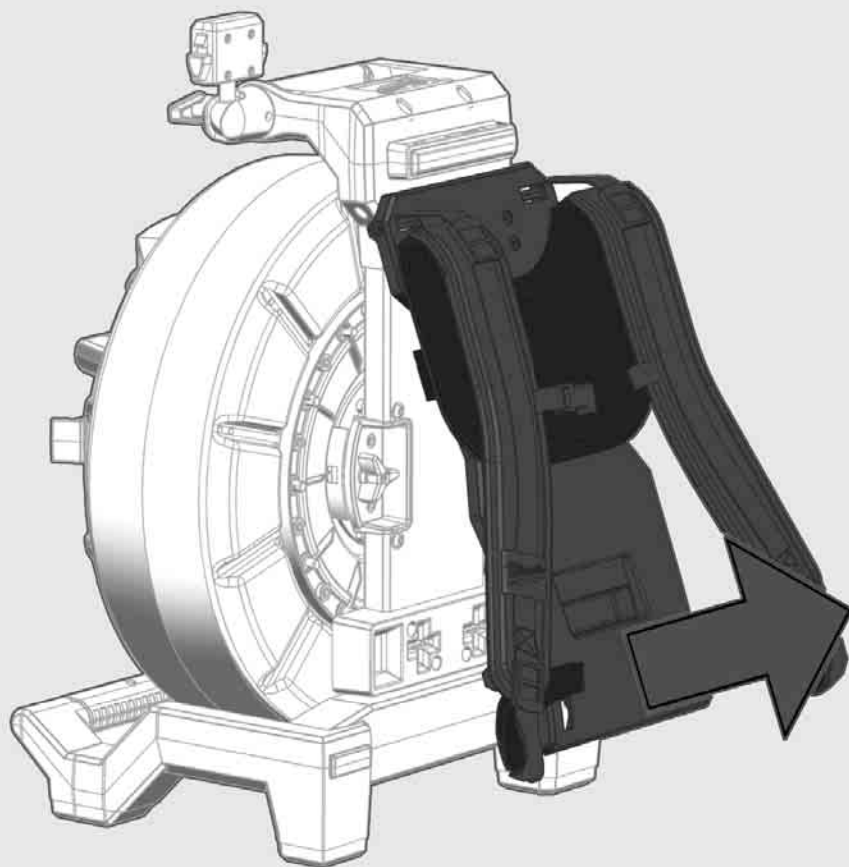


Nosilno pripravo vpnite zgoraj in jo z žogami potisnite proti spodnji strani tako, da se nosilna priprava zaskoči. Na kratko povlecite nosilno pripravo, da se prepričate, da se je zaskočila.

**1**

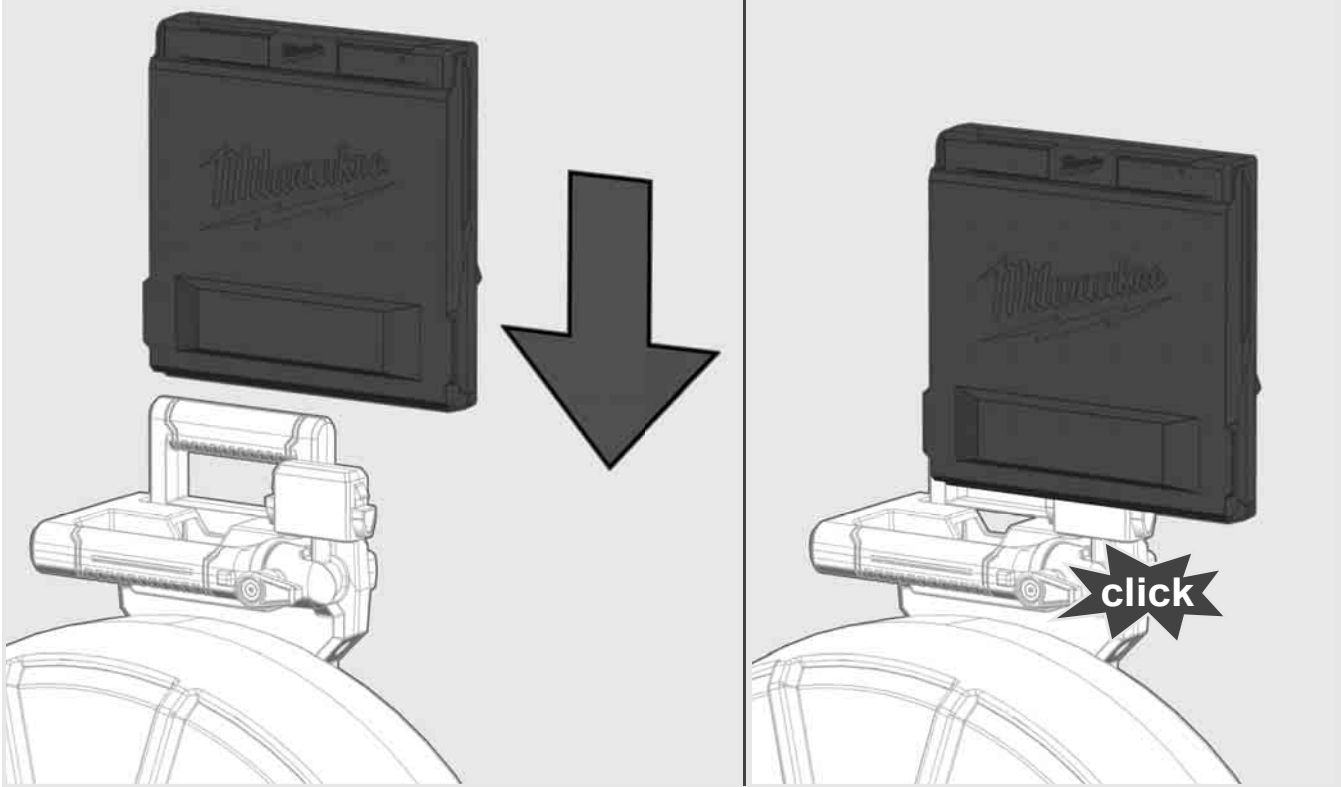


**2**

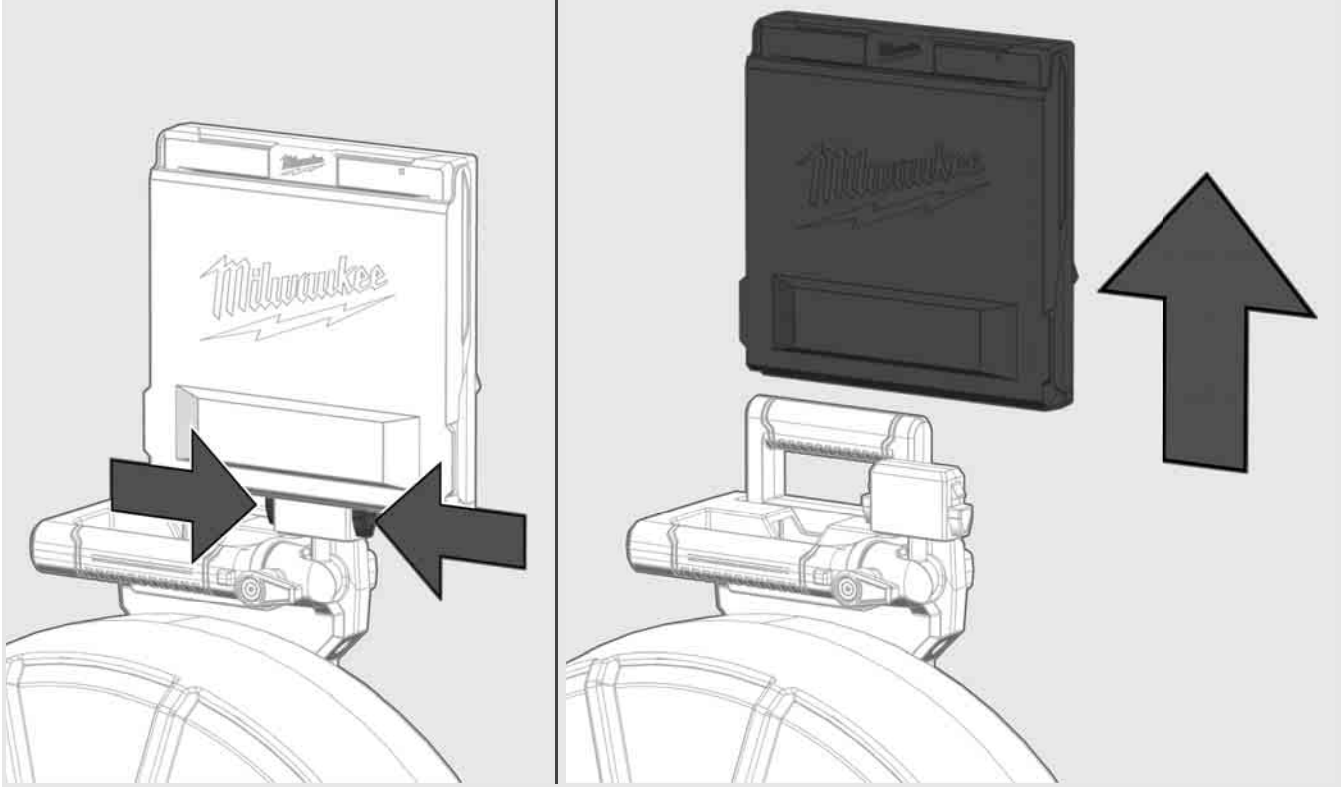


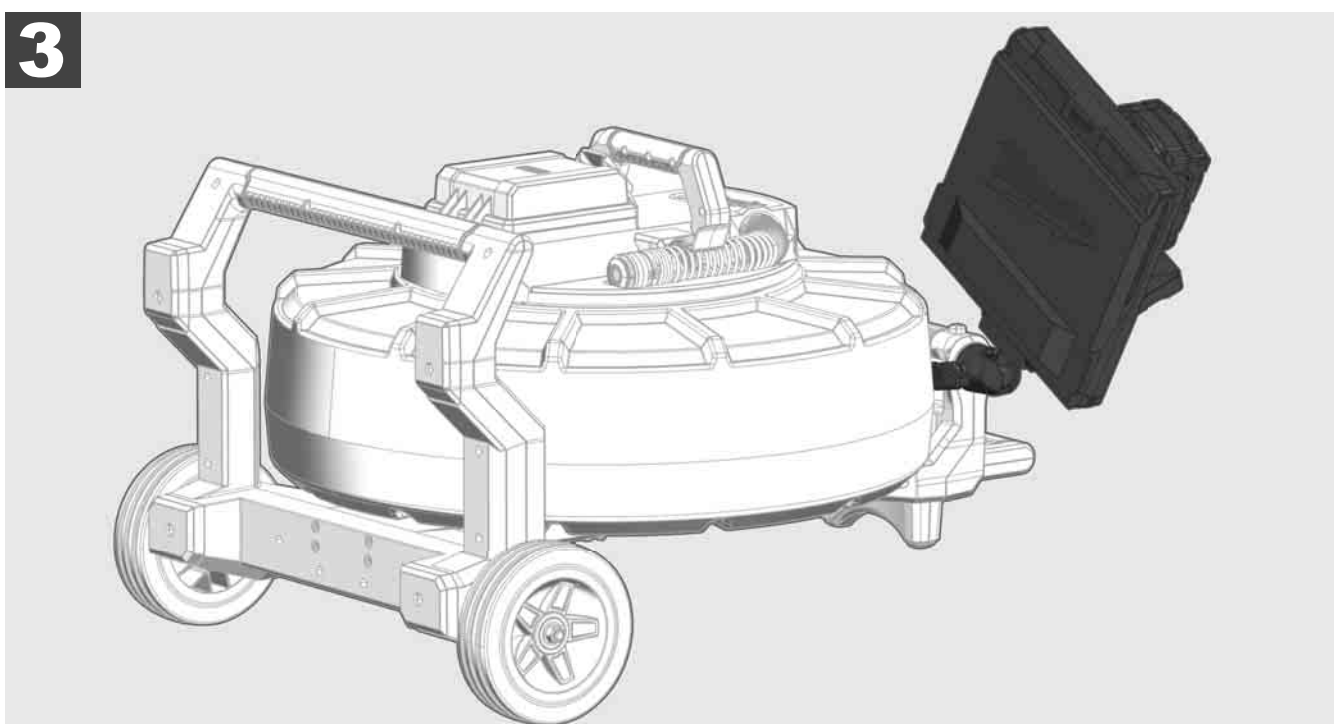
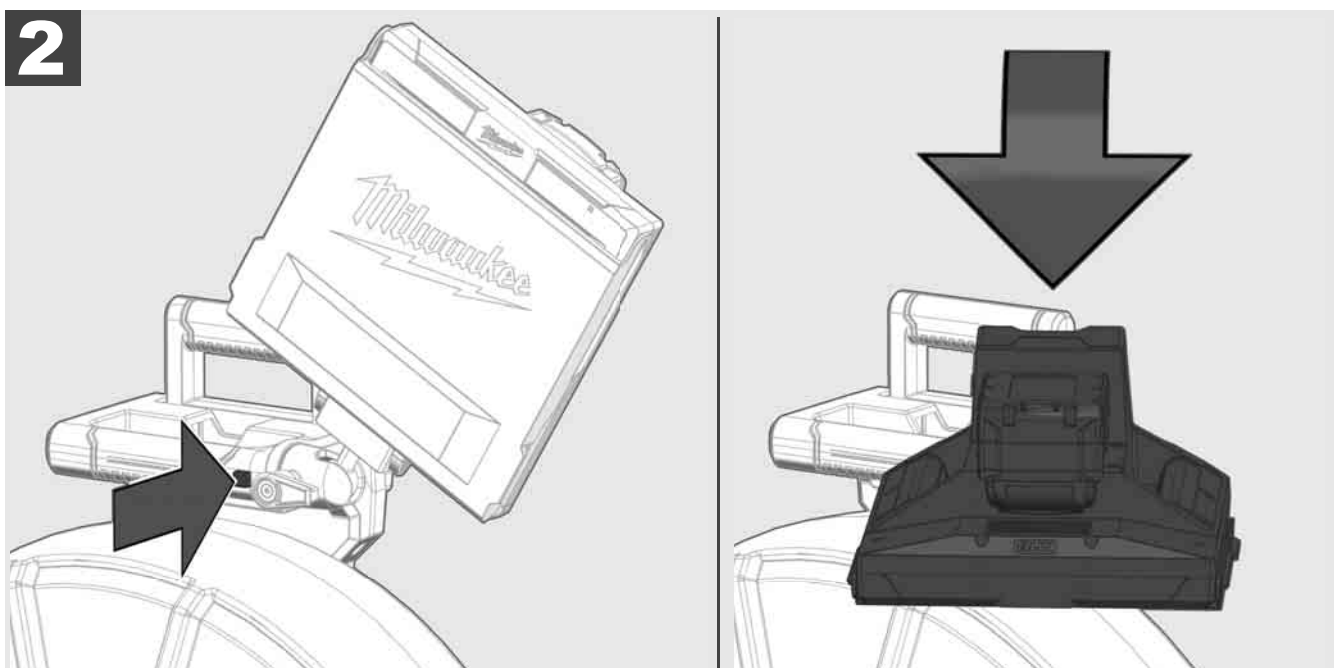
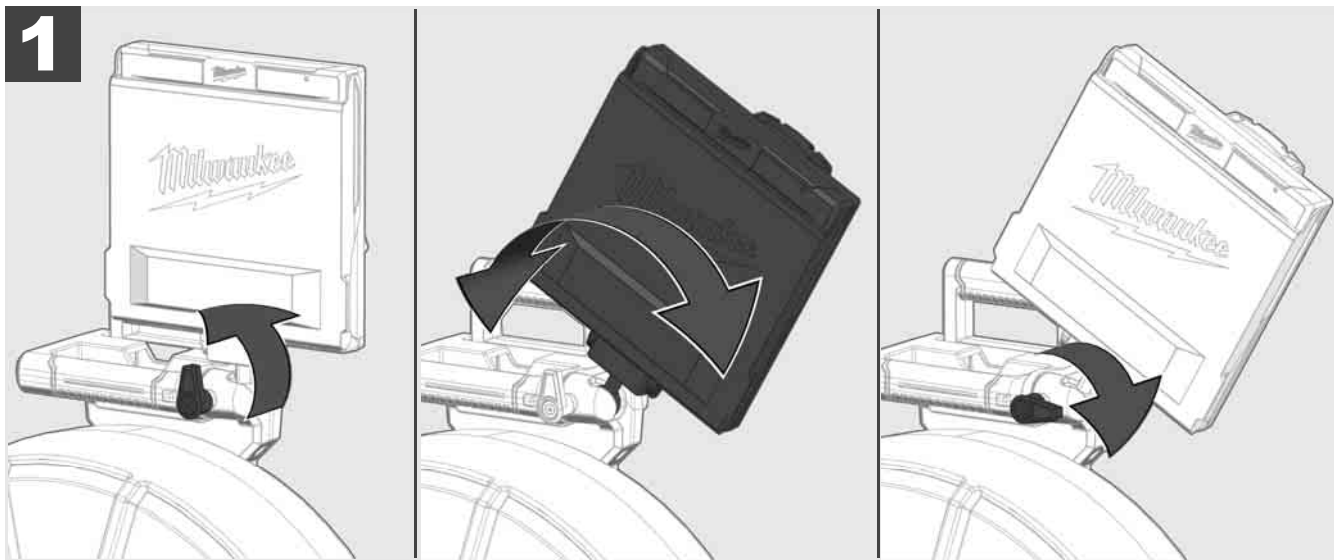


**1**



**2**





### 3.7 Uporaba navijala za pregled cevi



Preverite, ali ima potisni kabel sledi obrabe – kabel pri navijanju preverite glede rezov, prepogibov in obrabe. Če je ovoj toliko obrabljen, da je vidna bela ali rumena neprebojna pletenica, je treba potisni kabel zamenjati. Pri uporabi potisnega kabla s poškodovanim ovojem lahko vdreta voda in vlaga, kar lahko vpliva na kakovost posnetkov kamere ali do izpada kamere.

Na naslednji sliki so prikazani primeri za močno poškodovane ovoje. Tovrstne potisne kable je treba čim hitreje zamenjati.



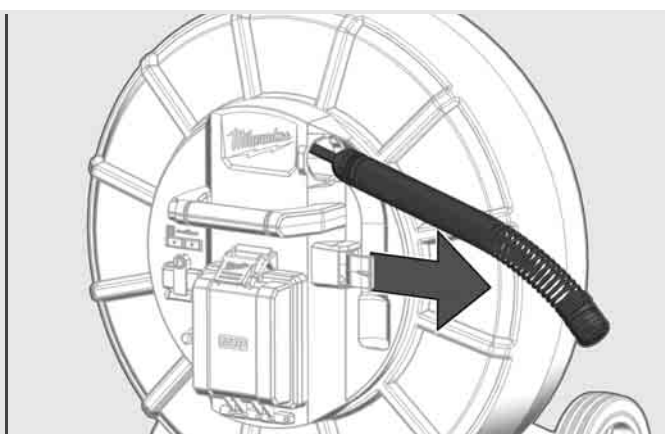
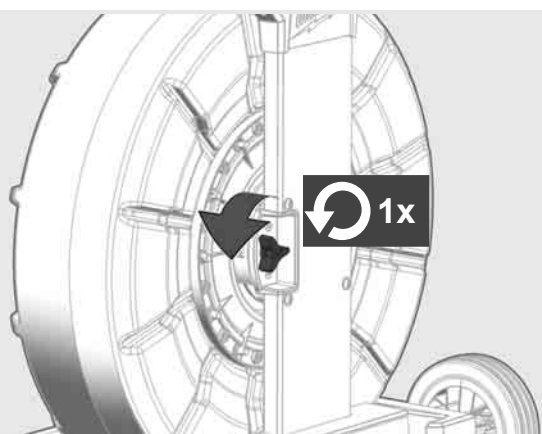
Potisni kabel in sklop vzmeti ohranjajte vedno čiste in suhe – kabel lahko med navijanjem vedno očistite s čisto in suho krpo. Na koncu delovnega dne z glave kamere in vzmeti pod tekočo vodo previdno odstranite ostanke umazanije. Iztresite do suhega ali odvečno vodo do suhega izpihajte z nizkotlačnim zrakom in nato dele posušite. Glava kamere, potisni kabel in priključni deli so pri dnevni uporabi izpostavljeni agresivnim kemikalijam. Skrbno čiščenje sistema podaljša življenjsko dobo teh delov.

S potisnim kablom ravnajte pazljivo – potisnega kabla ne izvlecite iz blokirane navijala. Sicer se lahko kabel v navijalu stisne in prekomerno obremeni. Potiskanje potisnega kabla nazaj v blokirano navijalo se lahko rola prevrne ali upogne kabel.

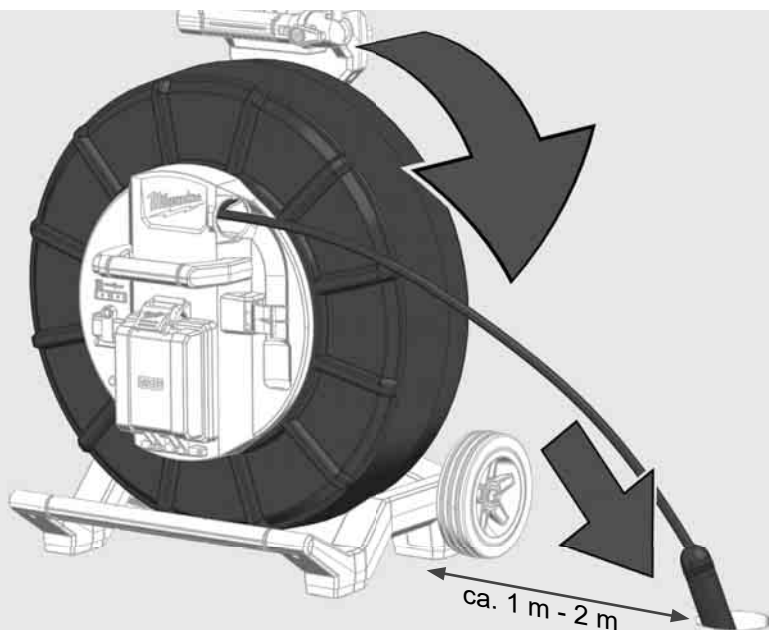
Navijalo postavite 1 do 2 metra oddaljenega od vstopnega mesta na ravno podlago. Tako ostane dovolj prostora za uporabo kabla, ne da se zanke kabla vlečejo po tleh. Po potrebi aktivirajte torni zavoro, da upočasnite premikanje potisnega kabla.

Če se navijalo uporablja v vodoravnem položaju, se površina med nogami poveča. To navijalu omogoča stabilnejšo stojišče na neravni podlagi in zmanjša njegovo višino, kar je prednost v utesnjenih prostorskih razmerah.

1



2





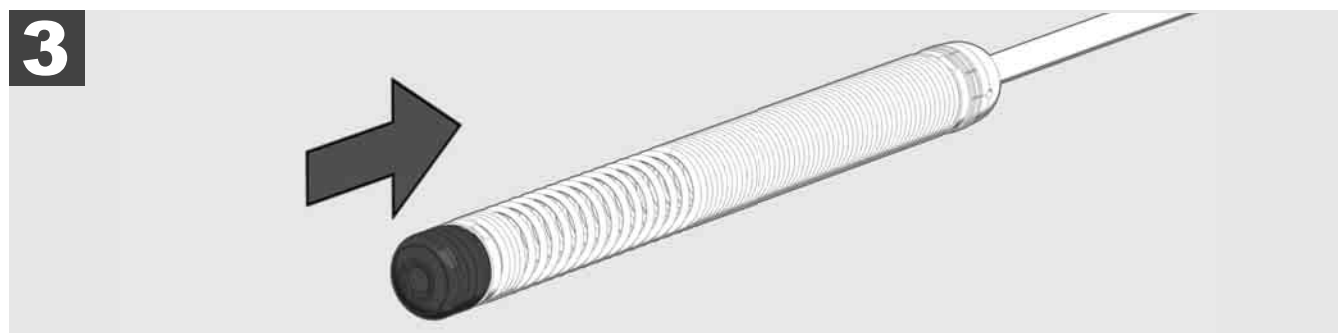
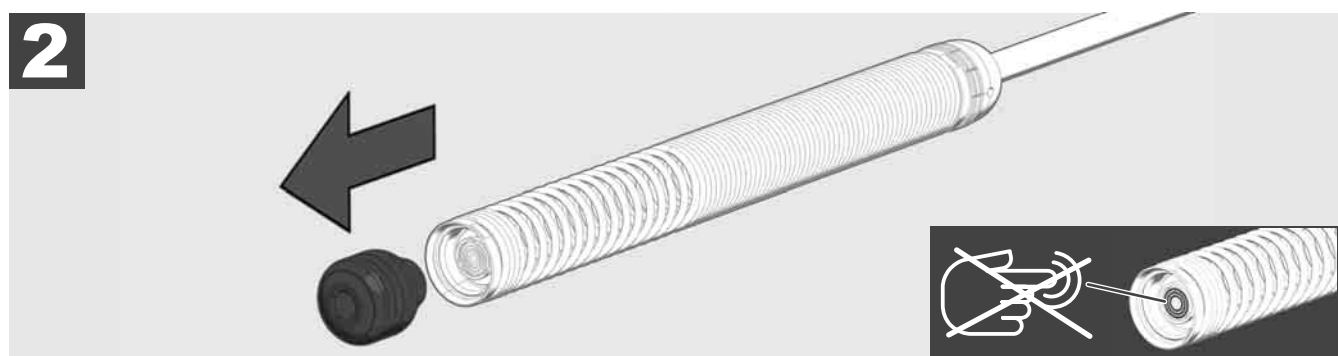
### 3.8 Sklop glave kamere



Zelenega tiskanega vezja oz. zlatih kontaktov na sklopu vzeti in glave kamere se po možnosti ne dotikajte z golimi rokami. V nasprotnem primeru se sloj masti prstov prenese na te komponente, kar lahko privede do njihove predčasne korozije. Če je mogoče, nosite čiste in suhe gumijaste rokavice.

Glavo kamere pred odstranjevanjem obrišite do suhega in odstranite ostanke umazanije, ki bi lahko padla v priključno območje kamere.

Ne zategnite premočno in ne uporabljajte čezmerne sile!



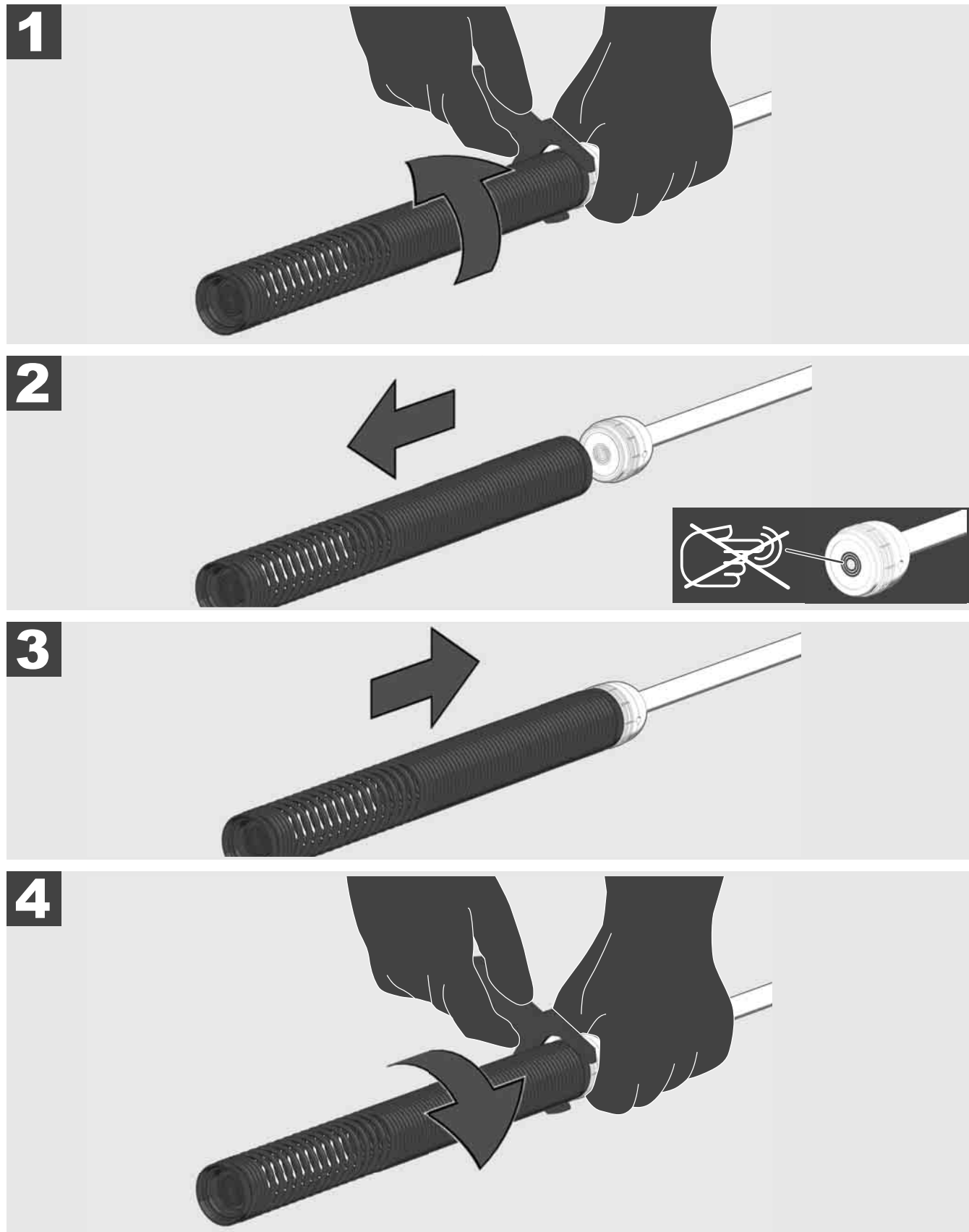
### 3.9 Sklop vzeti



Zelenega tiskanega vezja oz. zlatih kontaktov na sklopu vzeti in glave kamere se po možnosti ne dotikajte z golimi rokami. V nasprotnem primeru se sloj masti prstov prenese na te komponente, kar lahko privede do njihove predčasne korozije. Če je mogoče, nosite čiste in suhe gumijaste rokavice.

Glavo kamere pred odstranjevanjem obrišite do suhega in odstranite ostanke umazanije, ki bi lahko padla v priključno območje kamere.

Ne zategnite premočno in ne uporabljajte čezmerne sile!



### 3.10 Zaščitni pokrov kamere

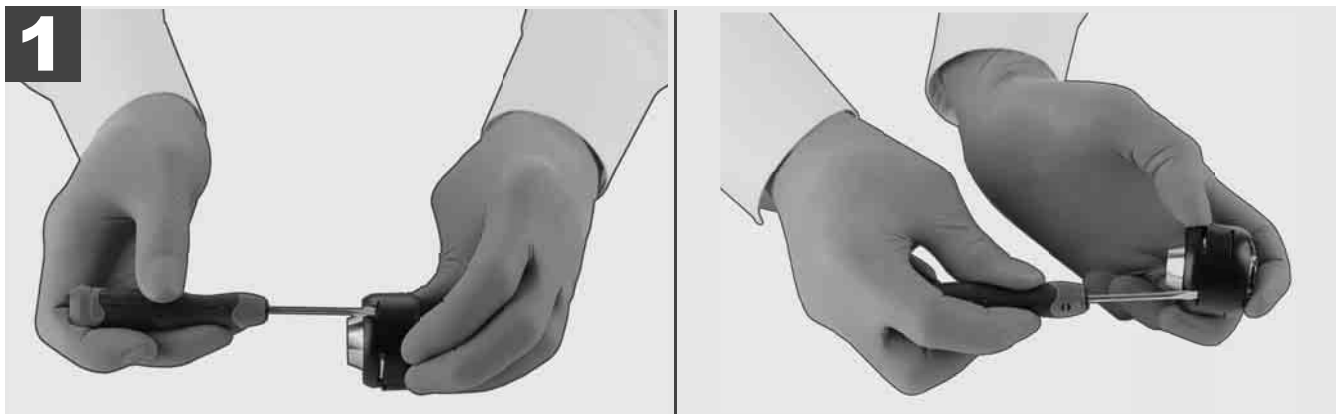


Zaščitni pokrovi – ustrezni za glave kamere s 25 mm oz. 34 mm premerom. Ti zaščitni pokrovi so priloženi vsem NAVIJALOM ZA PREGLED CEVI ali nadomestnim glavam kamere.

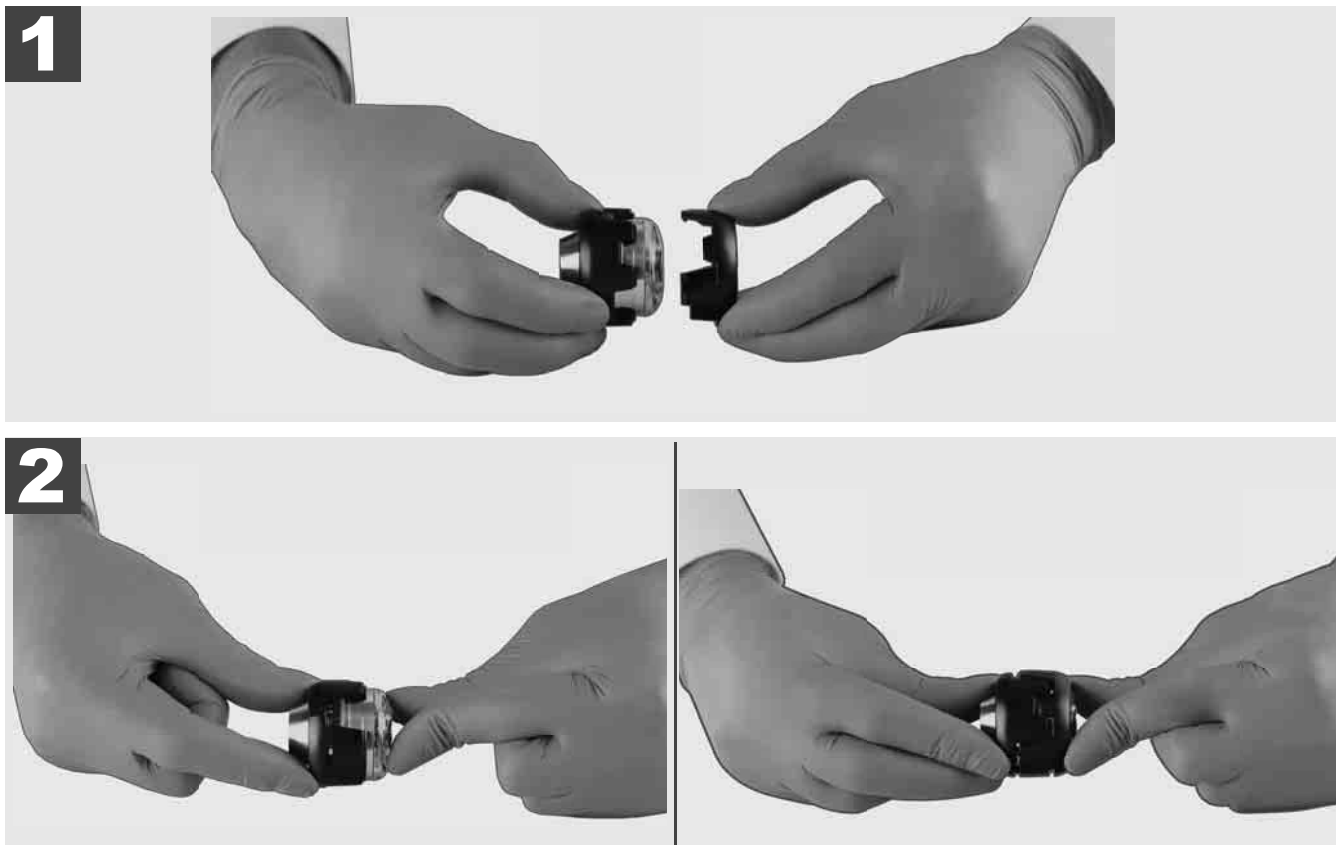
Vodila – namestijo se na sklop vzmeti, da se glava kamere spelje vzdolž tal in ne pride v neposreden stik s cevjo.



#### Odstranjevanje zaščitnega pokrova



#### Namestitev zaščitnega pokrova



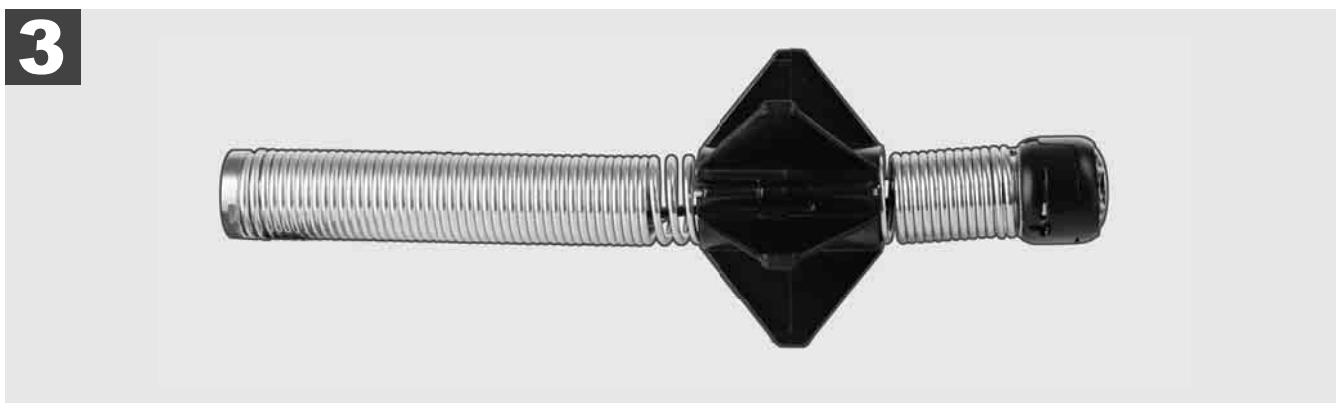
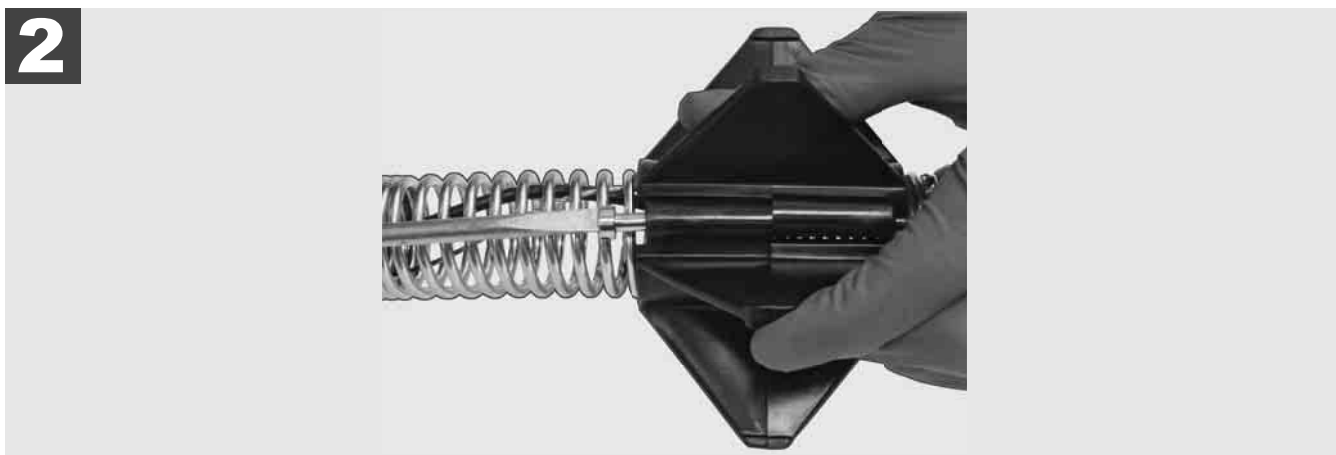
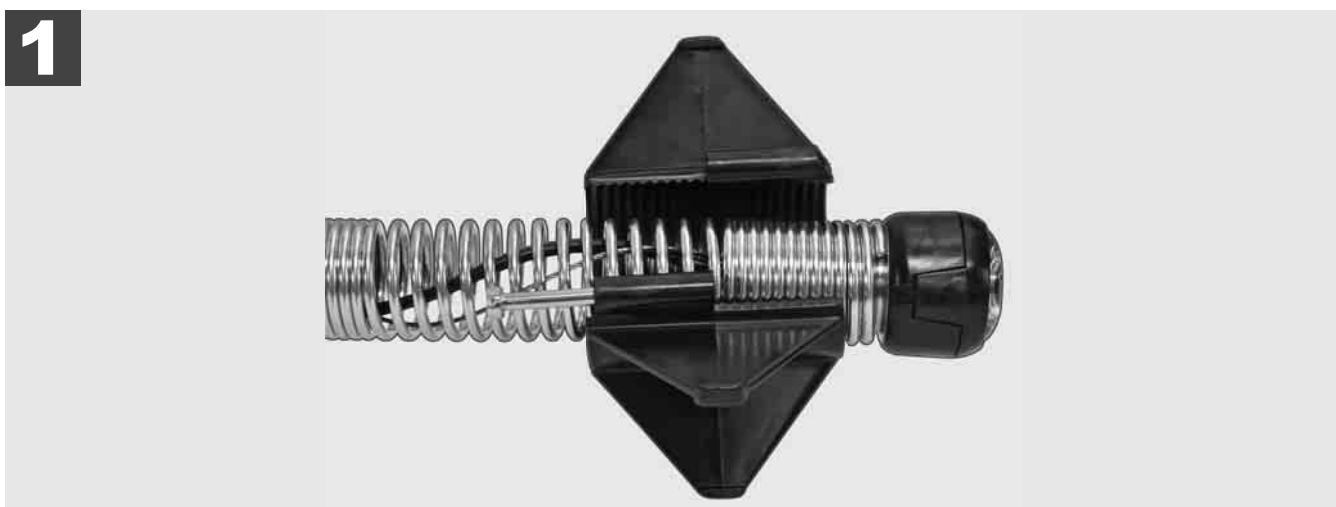
### 3.11 Vodila kamere



Za 25 mm oz. 34 mm široke glave kamere sta na voljo po dve vodili: Majhna izvedba s 75 mm in srednja izvedba s 100 mm.

Vodilo kamere 25 mm


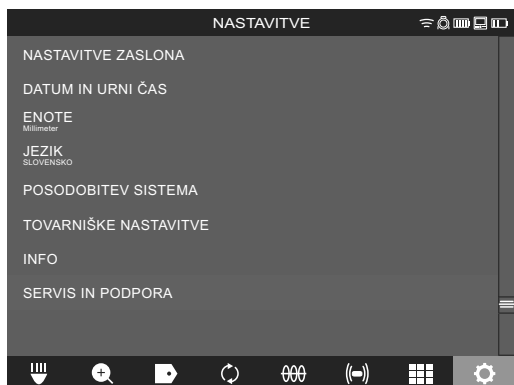
Vodilo kamere 34 mm



### 3.12 Servis in podpora

Če je treba vaš SISTEM ZA PREGLED CEVI popraviti, pod SERVIS IN PODPORA pridete na stran za servis za orodja Milwaukee z vsemi pomembnimi telefonskimi številkami.

Izberite **NASTAVITVE**  → **SERVIS IN PODPORA**



**M18 SIC36**  
**M18 SIC60**  
**M18 SISH**

**M18 SIM**

The image shows two panels of Milwaukee equipment. The top panel features two large pipe inspection cameras (SIC36, SIC60, SISH) on a black metal stand. A black arrow points from the word 'click' to the leftmost camera. The bottom panel features a ruggedized smartphone (SIM) with its flip cover open. A black arrow points from the word 'click' to the phone. A large black arrow points from the right side of the top panel towards the right side of the bottom panel.

click

1	Opće napomene.....	2
1.1	Posebni sigurnosni propisi za sustave za ispitivanje cijevi .....	2
1.2	Ostale sigurnosne i radne upute .....	2
1.3	Tehnički podaci.....	3
1.4	Propisna upotreba.....	3
1.5	Zahtjevi za radio frekvenciju vezani uz europske instalacije.....	3
1.6	Izjava o sukladnosti.....	3
1.7	ONE-KEY™ .....	4
1.8	PUNJIVE BATERIJE .....	4
1.9	Transport litijsko ionskih baterija .....	4
1.10	Održavanje.....	4
1.11	Simboli .....	5
2	Smart Hub M18 SISH .....	6
2.1	Pregled Smart Hub-a M18 SISH .....	6
2.2	Umetanje i uklanjanje baterije .....	7
2.3	Provjera statusa napunjenosti baterije .....	8
2.4	Umetanje Smart Hub-a M18 SISH .....	9
2.5	Uklanjanje Smart Hub-a M18 SISH .....	10
2.6	Sklopka za uključivanje/isključivanje.....	11
2.7	Priključenje monitora.....	12
2.8	USB priključci .....	13
2.9	Štapasti uzemljivač .....	14
2.10	Resetiranje brojač duljine .....	15
2.11	Priključak za testiranje kamere .....	16
2.12	Formatiranje interne pogonske jedinice i USB stika .....	17
2.13	Tvorničke postavke .....	18
2.14	Ažuriranje sustava.....	19
3	BUBNJEVI ZA ISPITIVANJE CIJEVI.....	21
3.1	Pregled bubnja za ispitivanje cijevi M18 SIC36 .....	21
3.2	Pregled bubnja za ispitivanje cijevi M18 SIC60 .....	22
3.3	Instaliranje aparature za nošenje .....	23
3.4	Uklanjanje aparature za nošenje .....	24
3.5	Instaliranje bežičnog monitora M18 SIM .....	25
3.6	Postavke bežičnog monitora M18 SIM .....	26
3.7	Uporaba bubnja za ispitivanje cijevi .....	27
3.8	Modul glave kamere .....	28
3.9	Grupa opruga .....	29
3.10	Zaštitni poklopci kamere .....	30
3.11	Vodilice kamere .....	31
3.12	Servis i podrška.....	32

## 1.1 Posebni sigurnosni propisi za sustave za ispitivanje cijevi

Kod radova na cijevima obratiti pažnju, da ove ne budu pod naponom i da nisu električno nabijene. Cijevi ne smiju sadržavati tekućine. Kamera i uređaj ne smiju doći u dodir sa tekućinom.

Kamera i kabel ne smiju doći u dodir sa uljem, plinom ili drugim materijalima koji korodiraju.

Zbog smanjenja rizika od eksplozije, električnog udara i materijalnih šteta, radno područje uvijek provjeriti prije svih radova. Kabel ne smije doći u kontakt s električnim komponentama, kemikalijama ili pokretnim dijelovima.

Zbog smanjenja rizika oštećenja na uređaju ne primijeniti preveliku silu i kabel ne izvijati. Kontrolnu kameru i kabel ne uporabljati na područjima na kojim oni mogu doći u dodir sa nagrizajućim ili uljanim supstancijama.

Kabel ne koristiti za otklanjanje zapušnja ili zapreka. On nije čistač cijevi!

Ako bi odvodna cijev koja se provjerava mogla sadržavati kemikalije, bakterije ili druge toksične supstancije odn. uzročnike infekcije, tada uporabite od proizvođača preporučene zaštitne rukavice od latexa ili gumene rukavice kao i zaštitne naočale, zaštitu lica, zaštitnu odjeću i masku za zaštitu disanja. Cjevovodi mogu sadržavati kemikalije, bakterije ili druge supstancije koje mogu biti toksične ili uzročnici infekcije i koje mogu prouzročiti najedanja ili druge teške ozljede.

Poštujte higijenske propise. Za vrijeme dok koristite ovaj uređaj nemojte jesti i pušiti. Nakon rukovanja ili uporabe sustava za ispitivanje cijevi ruke i ostali dijelovi tijela koji su došli u kontakt sa sadržajem cijevi se moraju uvijek prati toplom vodom i sapunom. Na ovaj način izbjegavate zdravstvene rizike na temelju kontakta s toksičnim tvarima ili tvarima koje su uzročnici infekcija.

Provjerite kabel prije uporabe u svezi tragova habanja i oštećenja. Zamijenite istrošen ili oštećen kabel prije uporabe uređaja.

**OPREZ!** Potreban je oprez prilikom transporta sustava za ispitivanje cijevi pomoću aparature za nošenje. Mogli biste izgubiti ravnotežu.

Uređaj uvijek koristite oprezno i pažljivo. Nemoguće je predvidjeti sve opasne situacije. Uređaj ne koristite ako ne razumijete priloženu uputu ili ako se osjećate preplavljeni poslom. Za više informacija ili obuke kontaktirajte Milwaukee ili kvalificiranoga stručnjaka.

Etikete i pločice tipova ne ukloniti. Ove pločice sadrže važne informacije. Ako ove pločice uputa više nisu čitke ili nedostaju, obratite se servisu MILWAUKEE da bi dobili besplatnu zamjenu.

Prašine koje prouzrokuju strojevi za brušenje, piljenje i bušenje ili druge građevinske aktivnosti mogu sadržavati kemijske tvari koje su kancerogene, uzrokuju urođene mane ili narušavaju plodnost. Primjeri takvih kemijskih tvari su:

- olovo od boja na bazi olova,
- kristalni silicijev dioksid iz opeka, cementa ili drugih proizvoda za zidanje, kao i
- arsen ili krom iz kemijski tretiranog drveta.

Rizik od izloženosti ovisi o tome koliko često radite s tim tvarima. Da bi rizik od izloženosti bio što niži, uvijek radite u dobro prozračenim prostorima. Nosite oficijelno odobrenu zaštitnu opremu, poput maski za prašinu s filtrom za mikročestice.

## 1.2 Ostale sigurnosne i radne upute

Nemojte mijenjati bateriju ako je površina alata mokra.

Istrošene punjive baterije ne bacati u vatru ili u kućno smeće. Milwaukee nudi mogućnost uklanjanja starih punjivih baterija odgovarajuće okolini.

Punjive baterije ne čuvati skupa sa metalnim predmetima (opasnost od kratkog spoja).

Punjive baterije sistema M18 puniti samo sa uređajem za punjenje sistema M18. Ne koristiti baterije iz drugih sistema.

Pod ekstremnim opterećenjem ili ekstremne temperature može iz oštećenih punjivih baterija iscuriti baterijska tekućina. Kod dodira sa baterijskom tekućinom odmah isprati sa vodom i sapunom. Kod kontakta sa očima odmah najmanje 10 minuta temeljno ispirati i odmah potražiti liječnika.

**Upozorenje!** Zbog izbjegavanja opasnosti od požara, ozljeda ili oštećenja proizvoda uslijed kratkog spoja, uređaj, punjive baterije ili punjač ne uronjavati u tekućine i pobrinite se za to, da ne prodiru nikakve tekućine. Korozirajuće ili vodljive tekućine kao slana voda, određene kemikalije i sredstva za bijeljenje ili proizvodi koji sadrže sredstva bijeljenja, mogu prouzročiti kratak spoj.

Ovaj uređaj ne smiju posluživati ili čistiti osobe sa smanjenim tjelesnim, senzoričkim ili duševnim sposobnostima odn. osobe ne raspoložu sa dovoljno iskustva ili znanja, osim ako su od strane osobe, koja je zakonski

odgovorna za sigurnost bile upućene o sigurnom rukovanju sa uređajem. Gore navedene osobe moraju kod upotrebe uređaja biti pod nadzorom. Ovaj uređaj ne smije dospjeti u ruke djece. Kod nekorištenja se uređaj stoga mora čuvati izvan dohvata djece.

### 1.3 Tehnički podaci

	M18 SIC36	M18 SIC60	M18 SISH
Duljina kabela kamere.....	36 m.....	60 m	
Glava kamere.....	Ø 25 mm.....	Ø 34 mm	
Maks. zumiranje.....	4x.....	4x	
Napon punjive baterije.....			18 V
Težina po EPTA-proceduri 01/2014 (4.0 Ah / 12 Ah).....	12,4 kg.....	20,46 kg.....	5,37 kg
Bluetooth-pojas frekvencija (pojasevi frekvencija).....			2402-2480 MHz
Visokofrekvencijska snaga.....			1,8 dBm
Bluetooth-Verzija.....			4.0 BT-način signala
Preporučena temperatura okoline kod rada.....		-18 .... +50 °C	
Preporučeni tipovi punjive baterije.....		M18B....; M18HB....	
Preporučeni punjači.....		M12-18C, M12-18AC, M12-18FC, M1418C6	

### 1.4 Propisna upotreba

Sustav za ispitivanje cijevi služi za vizualni pregled i inspekciju cjevovoda. Sustav sastoji se od tri modula:

#### - Bubanj za ispitivanje cijevi M18 SIC36 ili M18 SIC60

Bubanj za ispitivanje cijevi služi za namatanje i razmatanje i za upravljanje potisnim kabelom. Bubljevi su dostupni u dvije veličine: M18SIC36 za cijevi promjera od 50 mm do 150 mm i veći model M18SIC60 za cijevi promjera od 75 mm do 250 mm.

Oba bubnja sadrže potisni kabel s opružnim modulom na koji je montirana samonivelirajuća glava kamere. Bežični monitor M18 SIM i Smart Hub M18 SISH mogu se koristiti s oba bubnja.

Oba bubnja mogu se koristiti vertikalno ili horizontalno. Na stražnju stranu M18 SIC36 može se pričvrstiti aparatura za nošenje uređaja na leđima.

#### - Smart Hub M18 SISH

Smart Hub M18 SISH služi za upravljanje sustavom za ispitivanje cijevi.

Bežični monitor M18 SIM ili tablet na kojem je instalirana Milwaukee® aplikacija za ispitivanje cijevi, povezuje se na Smart Hub M18 SISH, kako bi primio video snimke i slike. Video zapisi i slike spremaju se na internu pogonsku jedinicu Smart Hub-a M18 SISH.

#### - Bežični monitor M18 SIM (nije uključen u dostavu; može se kupiti zasebno)

Bežični monitor M18 SIM omogućuje gledanje video zapisa koje je snimila glava kamere, bilježenje video zapisa i fotografija te reproduciranje video i slikovnih datoteka. Izgovoreni komentari tijekom video snimke se mogu bilježiti putem internog mikrofona. Tekstovi komentara također se mogu dodati putem funkcije „Oznake”. Tekstovi komentara pojavljuju se u zabilježenom video zapisu i izlaze na fotografijama zajedno s datumom, vremenom i duljinom odmotanog kabela.

Ovaj uređaj se smije upotrijebiti samo u određene svrhe kao što je navedeno.

### 1.5 Zahtjevi za radio frekvenciju vezani uz europske instalacije

Napomena: Ovaj je uređaj testiran i odgovara graničnim vrijednostima prijemnika kategorije 3 u skladu s EN 300 440 V2.1.1.

Te granične vrijednosti trebaju osigurati odgovarajuću zaštitu od radijskih smetnji u stambenim zgradama.

Ovaj uređaj reagira na ostale uređaje koji odašilju radio valove u frekvencijskom spektru od 2402 do 2480 MHz. To može dovesti do smetnji prilikom korištenja daljinskog upravljača. Ne može se isključiti da u određenim okolnostima može doći do smetnji. Kako biste utvrdili da li ovaj uređaj ometaju radio signali drugih uređaja, na kratko isključite druge uređaje, kako biste provjerili, da li onda smetnje nestaju. Sljedeće mjere mogu pomoći za otklanjanje smetnji:

- Isključite izvor smetnji.
- Povećajte razmak do izvora smetnji.
- Posavjetujte se s specijaliziranim trgovcem ili kvalificiranim radio tehničarom.

### 1.6 Izjava o sukladnosti

Techtronic Industries GmbH ovime izjavljuje da je radijska oprema tipa M18SISH u skladu s Direktivom 2014/53/EU. Cjeloviti tekst EU izjave o sukladnosti dostupan je na sljedećoj internetskoj adresi: <http://services.milwaukeeool.eu>



## 1.7 ONE-KEY™

Da bi se saznalo više o ONE-KEY funkcionalnosti ovoga uređaja, pročitajte priloženu upute o brzom startu ili nas posjetite na internetu pod [www.milwaukee.com/one-key](http://www.milwaukee.com/one-key). ONE-KEY aplikaciju možete preko App Store ili Google Play preuzeti na vaš Smartphone.

Ako dođe do elektrostatičnih pražnjenja, Bluetooth-spoj se prekida. U tome slučaju spoj ponovno uspostaviti ručno.

Uređaj odgovara minimalnim zahtjevima po EN 55014-2:2015 / EN 301489-1 V2.2.3 / EN 301489-17 V3.1.1.

### ONE-KEY™ prikaz

Plavo svijetljenje: Radioveza je aktivna i može se podesiti preko ONE-KEY™ aplikacije.

Plavo treperenje: Uređaj komunicira s ONE-KEY™ aplikacijom.

Crveno treperenje: Uređaj je iz sigurnosnih razloga blokiran i može se od strane poslužioca preko ONE-KEY™ aplikacije deblokirati.

## 1.8 PUNJIVE BATERIJE

Punjive baterije koje duže vremena nisu korištene, prije upotrebe napuniti.

Temperatura od preko 50 °C smanjuje učinak punjivih baterija. Duže zagrijavanje od strane sunca ili grijanja izbjeći.

Priključne kontakte na punjaču i punjivim baterijama držati čistima.

Za optimalni vijek trajanja se punjiva baterija poslije upotrebe mora sasvim napuniti.

Za što moguće duži vijek trajanja, punjiva baterija se nakon punjenja mora odstraniti iz punjača.

Kod skladištenja punjive baterije duže od 30 dana:

Punjivu bateriju skladištiti na suhom ispod 27 °C.

Punjivu bateriju skladištiti kod ca. 30%-50% stanja punjenja.

Punjivu bateriju ponovno napuniti svakih 6 mjeseci.

## 1.9 Transport litijsko ionskih baterija

Litijsko-ionske baterije spadaju pod zakonske odredbe u svezi transporta opasne robe.

Prijevoz ovih baterija mora uslijediti uz poštivanje lokalnih, nacionalnih i internacionalnih propisa i odredaba.

- Korisnici mogu bez ustručavanja ove baterije transportirati po cestama.
- Komercijalni transport litijsko-ionskih baterija od strane transportnih poduzeća spada pod odredbe o transportu opasne robe. Otpremničke pripreme i transport smiju izvoditi isključivo odgovarajuće školovane osobe. Kompletni proces se mora pratiti na stručan način.

Kod transporta punjivih baterija se moraju poštivati slijedeće točke:

- Uvjerite se da su kontakti zaštićeni i izolirani kako bi se izbjegli kratki spojevi.
- Pazite na to, da punjiva baterija unutar pakiranja ne može proklizavati.
- Oštećene ili iscurjele punjive baterije se ne smiju transportirati.

U svezi ostalih uputa obratite se vašem prijevoznom poduzeću.

## 1.10 Održavanje

Primijeniti samo Milwaukee opremu i Milwaukee rezervne dijelove. Sastavne dijelove, čija zamjena nije opisana, dati zamijeniti kod jedne od Milwaukee servisnih službi (poštivati brošuru Garancija/Adrese servisa).

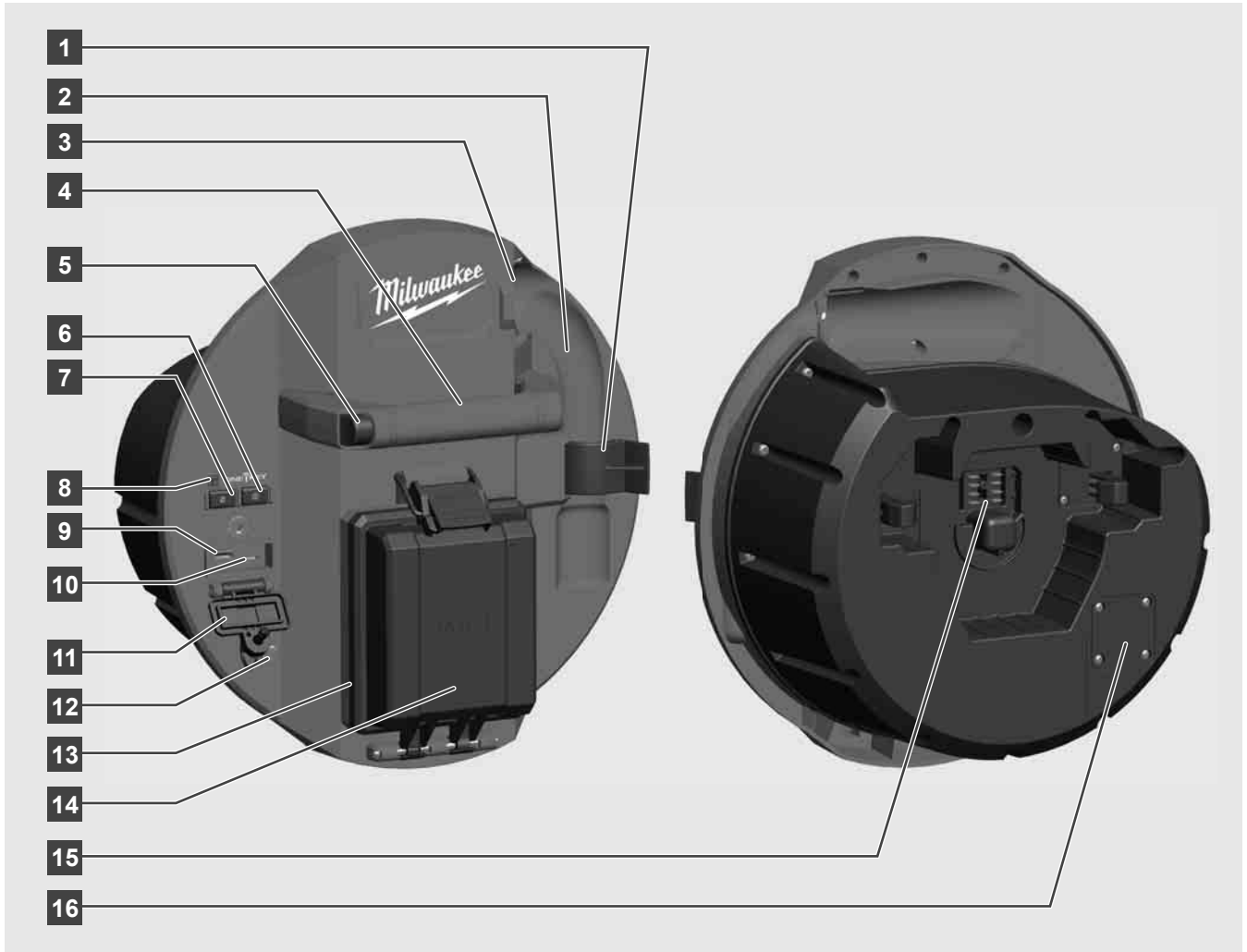
Po potrebi se crtež pojedinih dijelova uređaja uz navođenje podatka o tipu uređaja i šestoznamenastog broja na pločici snage može zatražiti kod vašeg servisa ili direktno kod Techtronic Industries GmbH, Max-Eyth-Straße 10, 71364 Winnenden, Njemačka.

## 1.11 Simboli

	PAŽNJA! UPOZORENIE! OPASNOST!
	Prije svih radova na uređaju izvaditi punjivu bateriju.
	Molimo da pažljivo pročitate uputu o upotrebi prije puštanja u rad.
	Nositi zaštitne rukavice!
	Kod radova na uređaju uvijek nositi zaštitne naočale.
	Električni uređaji, baterije/punjive baterije se ne smiju zbrinjavati skupa sa kućnim smećem. Električni uređaji i punjive baterije se moraju skupljati odvojeno i predati na zbrinjavanje primjereno okolišu jednom od pogona za iskorišćavanje. Raspitajte se kod mjesnih vlasti ili kod stručnog trgovca u svezi gospodarstva za recikliranje i mjesta skupljanja.
	Napon
	Istosmjerna struja
	Europski znak suglasnosti
	Britanski znak suglasnosti
	Ukrajinski znak suglasnosti
	Euroazijski znak suglasnosti

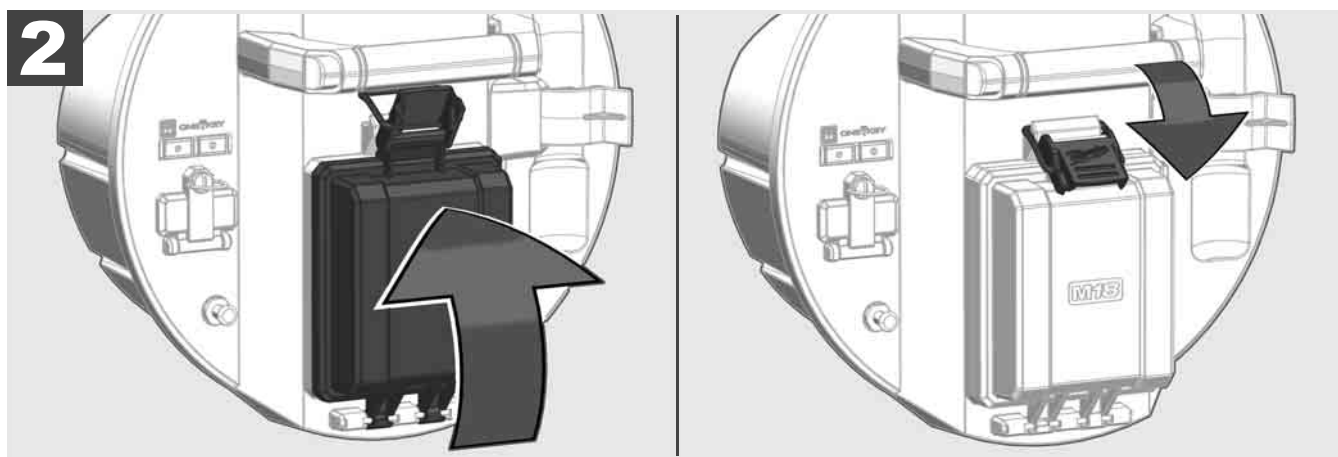
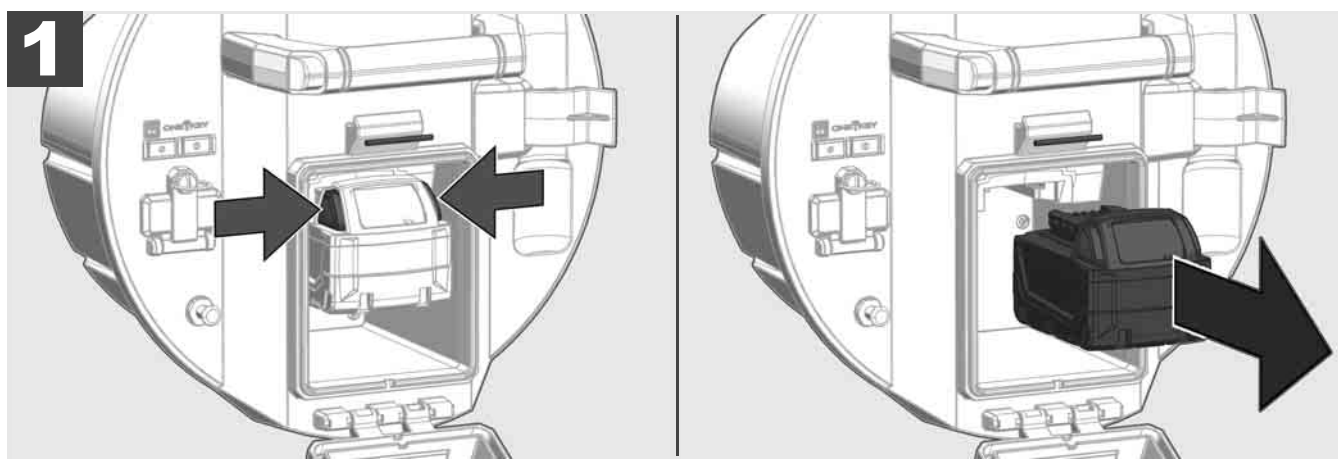
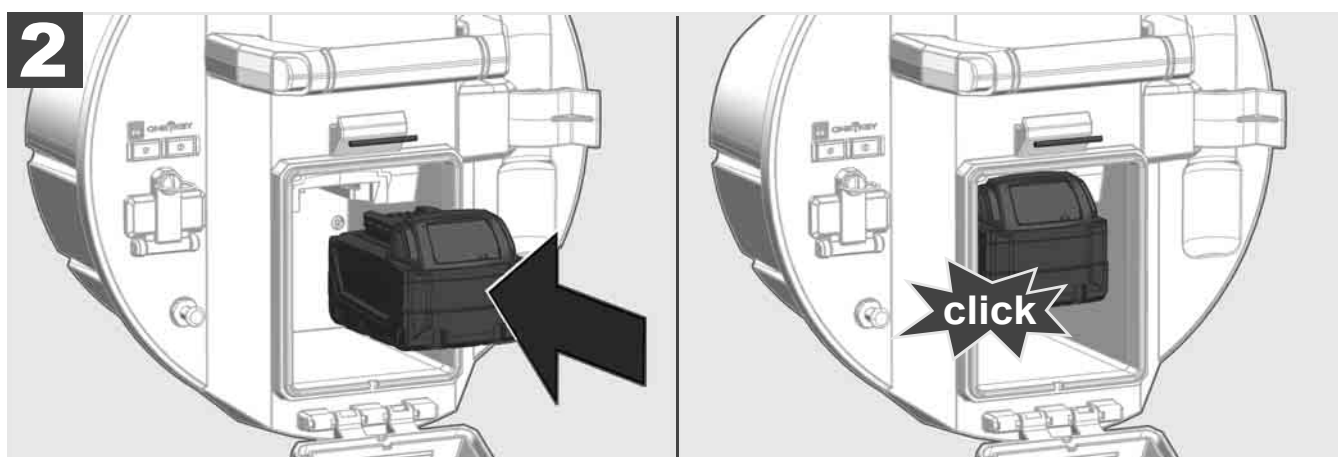
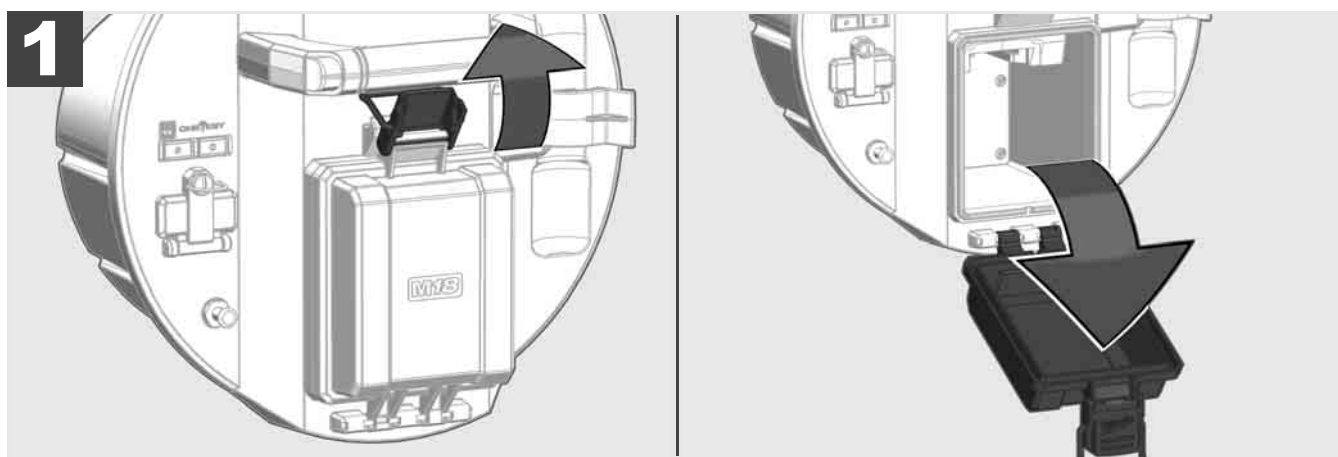
## 2 SMART HUB M18 SISH

### 2.1 Pregled Smart Hub-a M18 SISH



- 1 Pričvrtna kopča za oprugu – Za osiguranje opruge i kamere tijekom transporta.
- 2 Prijemnica opruge – Drži oprugu i kameru na mjestu tijekom transporta i čuvanja.
- 3 Vodilica kabela – Provučite oprugu i potisni kabel kroz vodilicu prije nego što se Smart Hub uglavi.
- 4 Ručica
- 5 Tipka za otključavanje – Pritisnite ovu tipku da biste oslobodili Smart Hub iz bubnja za ispitivanje cijevi.
- 6 Glavna sklopka – Pritisnite kratko jednom za uključivanje uređaja; pritisnite i držite pritisnutu za isključenje uređaja.
- 7 Tipka za resetiranje duljine kabela – Postavlja na nulu duljinu odmotanog kabela.
- 8 Prikaz ONE-KEY-LED
- 9 USB-A-priključak – Za izravno spremanje video zapisa i slika kao i za ažuriranja firmvera.
- 10 USB-C-priključak – Opcijski priključak za opskrbu i podatke za vezu bežičnog monitora M18 SIM s Smart Hub-om.
- 11 Poklopac USB priključka – Vodootporni poklopac koji štiti USB priključke od prašine i vlage.
- 12 Štapasti uzemljivač – Za uzemljenje Smart Hub-a prilikom praćenja potisnog kabela.
- 13 Poklopac baterije – Vodootporni poklopac koji štiti bateriju od prašine i vlage.
- 14 Pregrada za baterije – Za M18™ bateriju
- 15 Priključak za vezu Smart Hub-a i bubnja za ispitivanje cijevi.
- 16 Priključak za testiranje kamere – Za otklanjanje pogreški kod problema s glavom kamere

## 2.2 Umetanje i uklanjanje baterije



## 2.3 Provjera statusa napunjenosti baterije



78-100 %



55-77 %



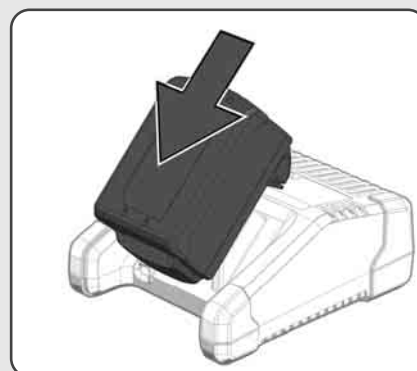
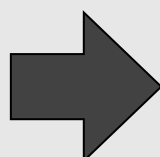
33-54 %

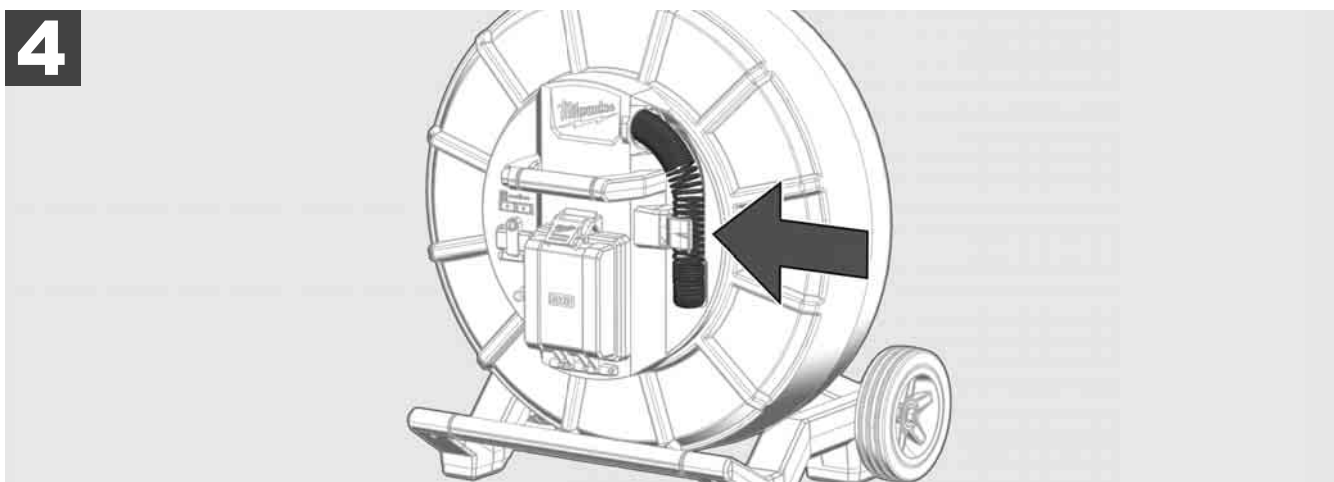
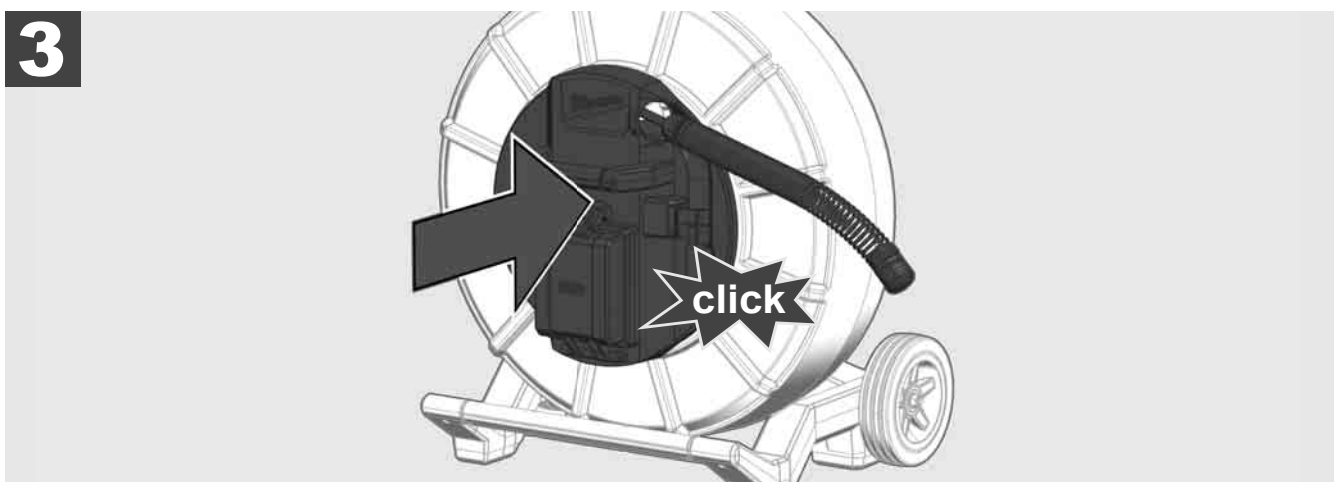
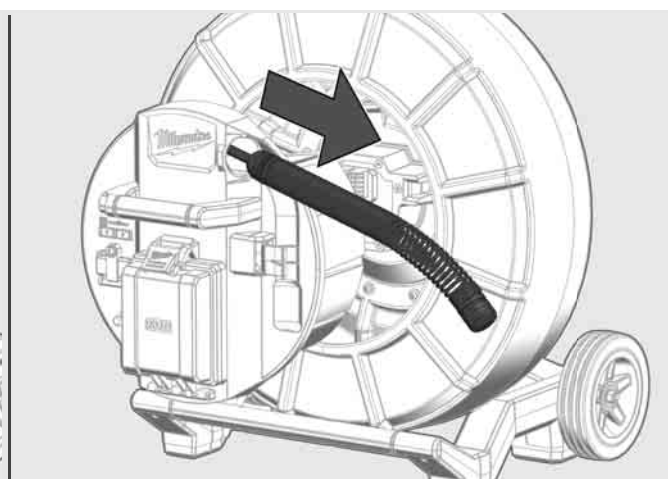
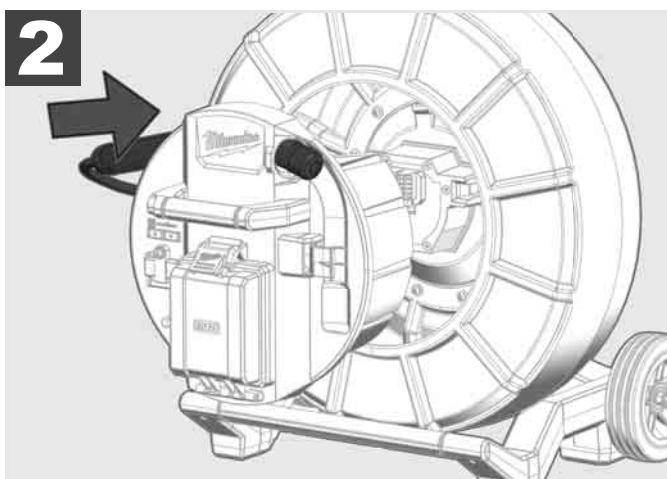
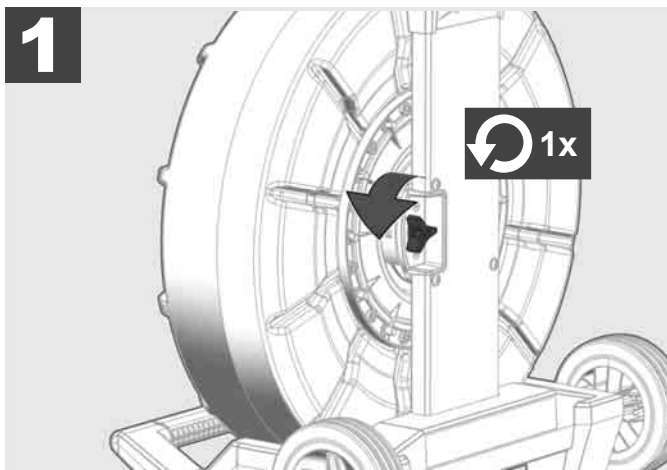


10-32 %



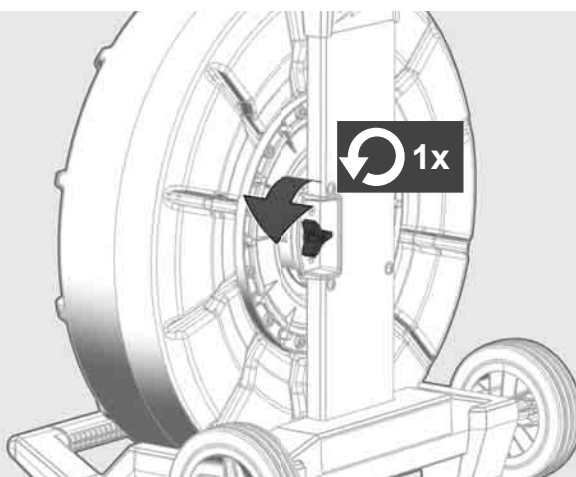
< 10 %



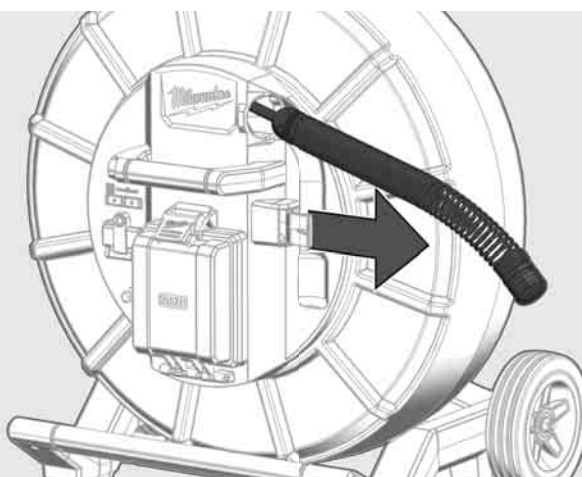




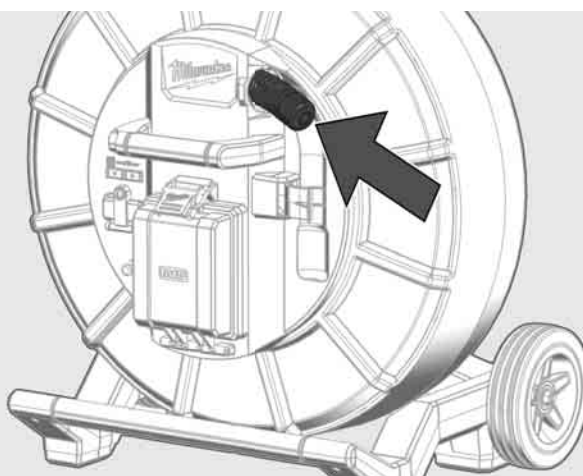
**1**



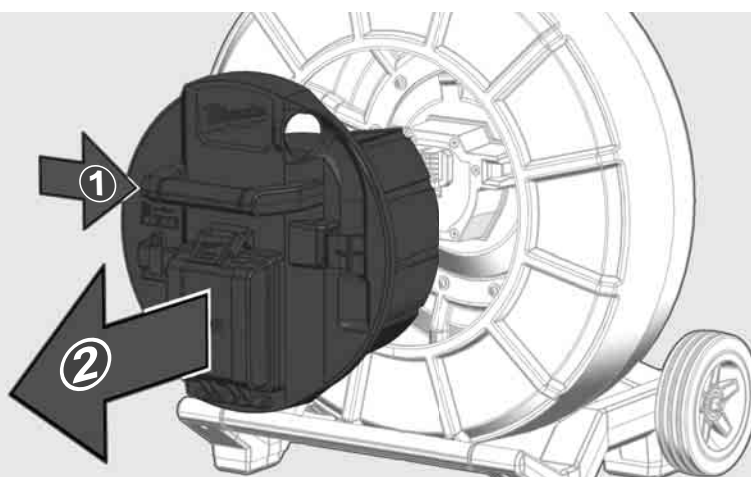
**2**



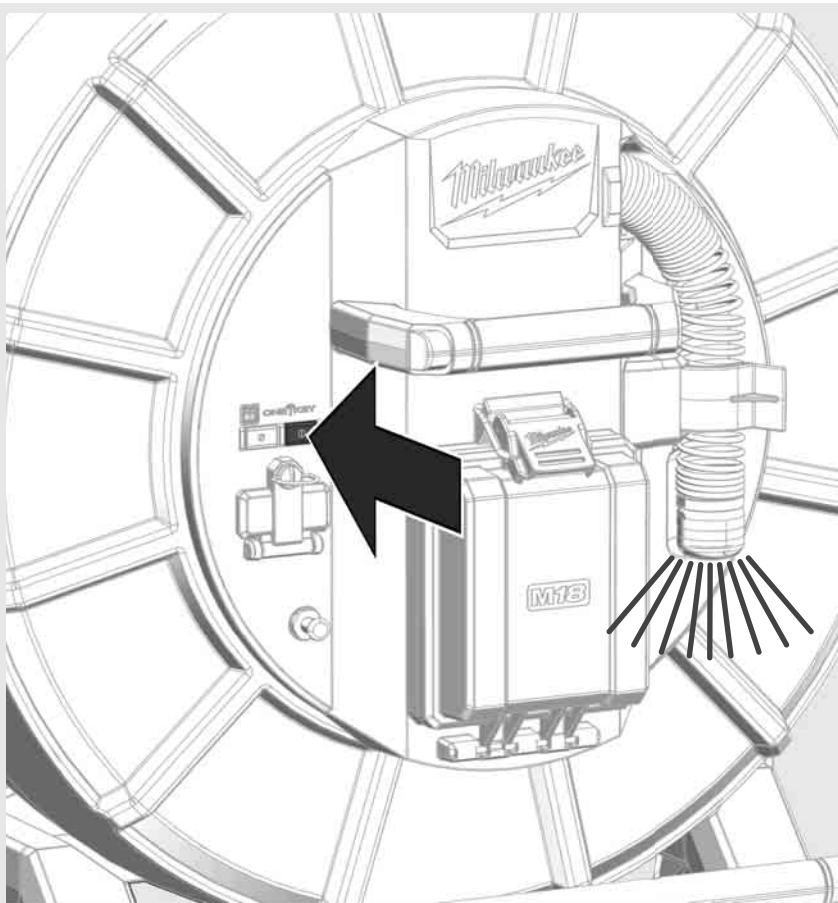
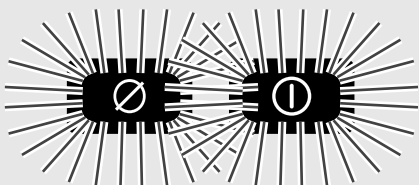
**3**



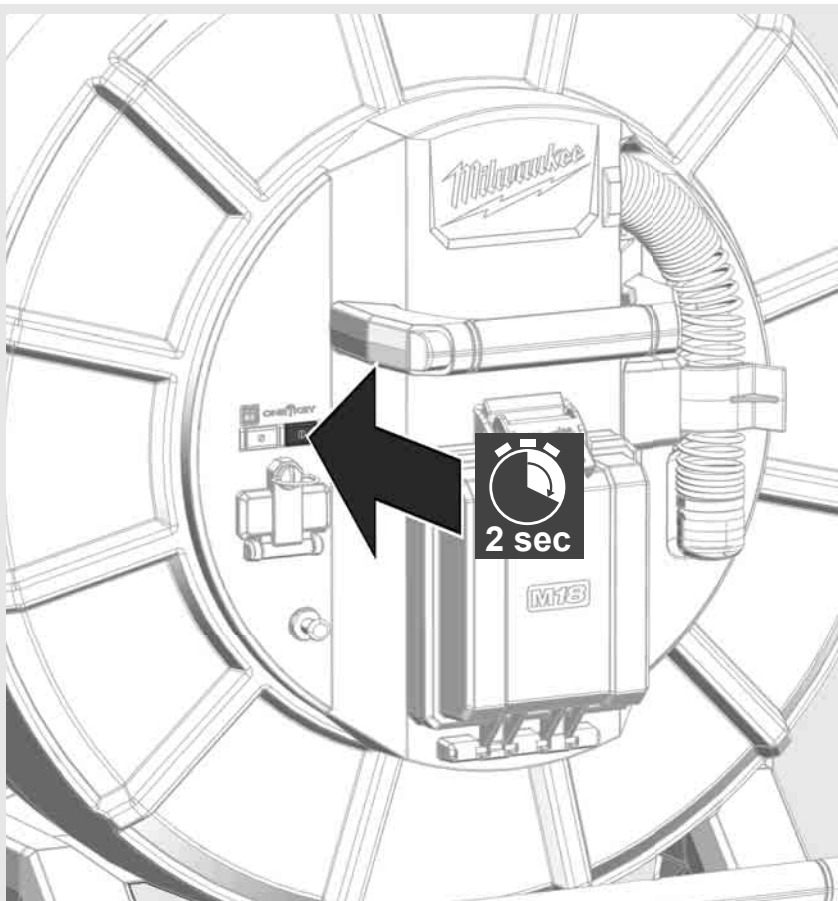
**4**



**ON**



**OFF**





## 2.7 Priklučenje monitora

Za promjenu postavki SUSTAVA ZA ISPITIVANJE CIJEVI, za kontrolu njegovih funkcija i za prikaz slika i video zapisa snimljenih kamerom, potreban je vanjski uređaj za prikaz.

Vanjski uređaj za prikaz nije uključen u dostavu SUSTAVA ZA ISPITIVANJE CIJEVI i mora se kupiti zasebno.

Na raspolaganju su sljedeće opcije:

- MILWAUKEE BEŽIČNI MONITOR M18 SIM
- Tablet ili pametni telefon s MILWAUKEE APLIKACIJOM ZA ISPITIVANJE CIJEVI

BEŽIČNI MONITOR spaja se na SUSTAV ZA ISPITIVANJE CIJEVI putem WLAN-a ili USB-C-priključka i odmah je spreman za primjenu. Kada koristite tablet ili pametni telefon, najprije instalirajte MILWAUKEE APLIKACIJU ZA ISPITIVANJE CIJEVI na dotični uređaj.

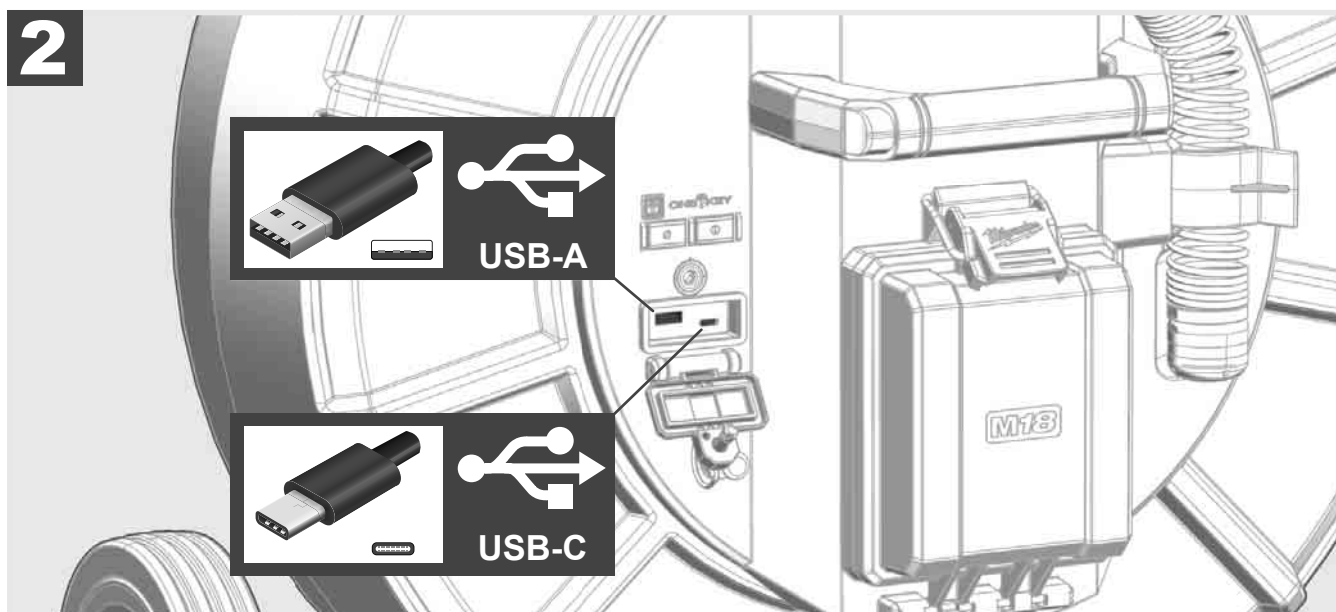
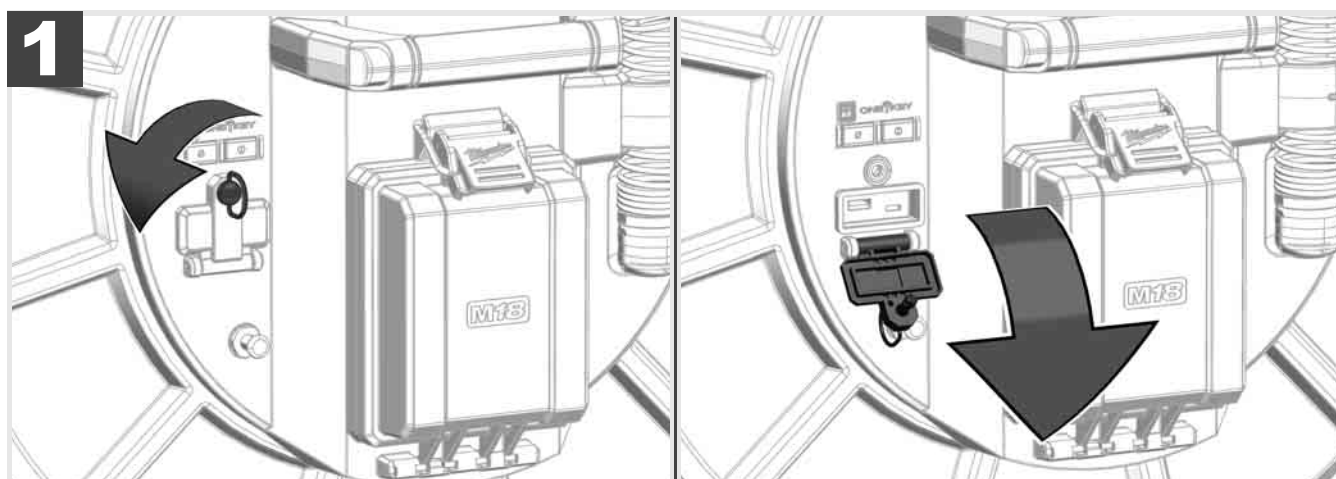
### **PRVA UPORABA S BEŽIČNIM MONITOROM M18 SIM:**

1. Uključite SMART HUB i BEŽIČNI MONITOR.
2. BEŽIČNI MONITOR se automatski povezuje s SMART HUB-om u roku od 25 sekundi.

\*Za kablensku vezu monitor na Smart Hub priključite preko USB-C-kabela.

### **PRVA UPORABA S PAMETNIM TELEFONOM ILI TABLETOM:**

1. Preuzmite i instalirajte MILWAUKEE APLIKACIJU ZA ISPITIVANJE CIJEVI.
2. Uključite SMART HUB i uređaj za prikaz.
3. Selektirajte opciju Postavke > WLAN.
4. Selektirajte opciju MTCAM\_[ZADNJIH 9 ZNAMENKI SERIJSKOG BROJA HUB-a].
5. Unesite lozinku: 29702000
6. Pokrenite MILWAUKEE APLIKACIJU ZA ISPITIVANJE CIJEVI.

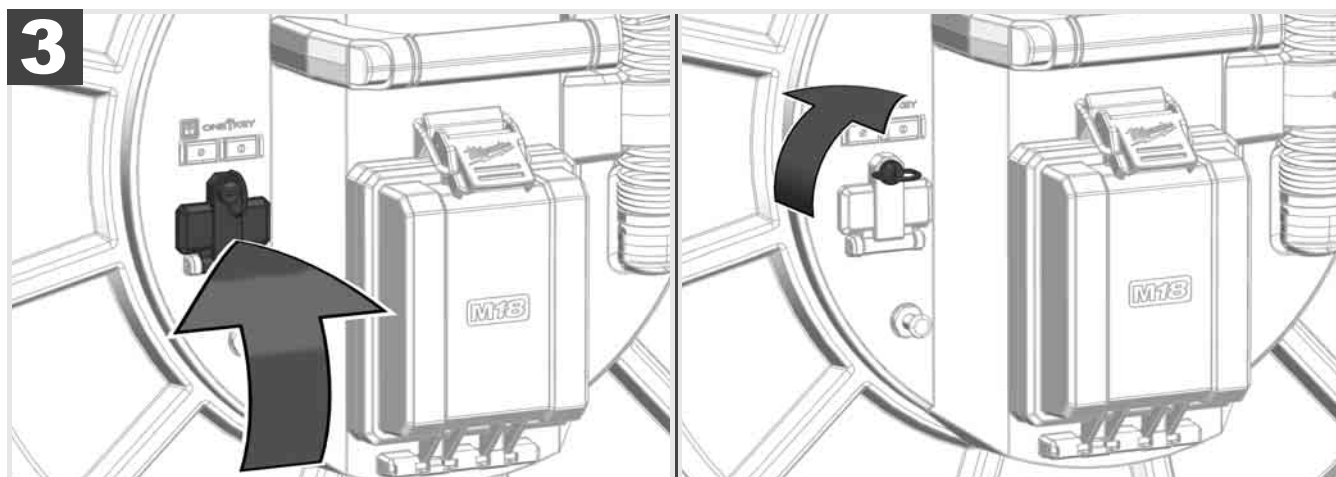


### USB-A

- Priključak za normalnu uporabu. Dozvoljava izravno bilježenje video i slikovnih datoteka odnosno njihov prijenos sa interne pogonske jedinice Smart Hub-a.
- Omogućuje provođenje ažuriranja firmvera na Smart Hub-u.

### USB-C

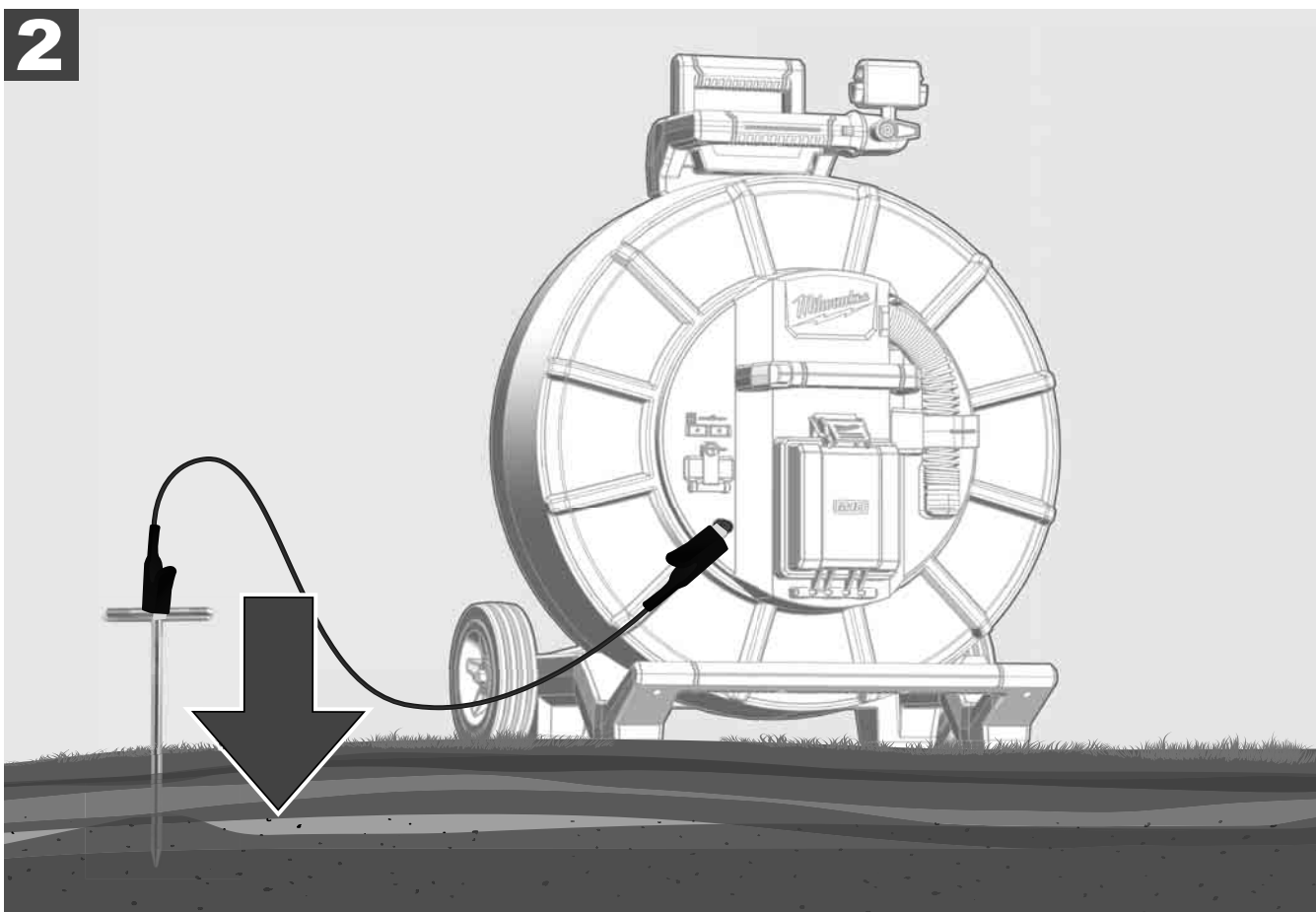
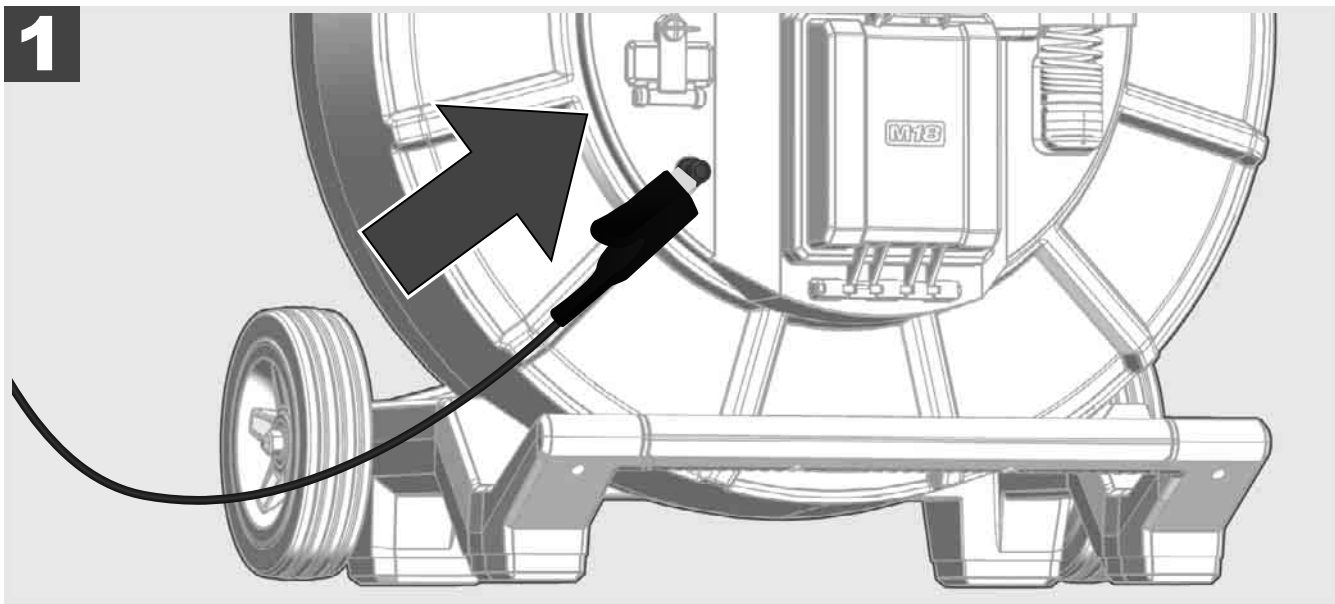
- Omogućuje vezu između bežičnog monitora M18 SIM i Smart Hub-a bez WLAN veze. Opskrba naponom Smart Hub-a preko bežičnog monitora M18 SIM ili obrnuto, ako baterija nije napunjena.



## 2.9 Štapasti uzemljivač



Štapasti uzemljivač mora se uvijek koristiti kada se potisni kabel prati pomoću funkcije PRAĆENJE KABELA. Smart Hub mora biti uzemljen tako da je strujna petlja zatvorena i da se šalje dobar signal lociranja. Za uzemljenje Smart Hub-a koristite isporučeni kabel za uzemljenje i štapasti uzemljivač.

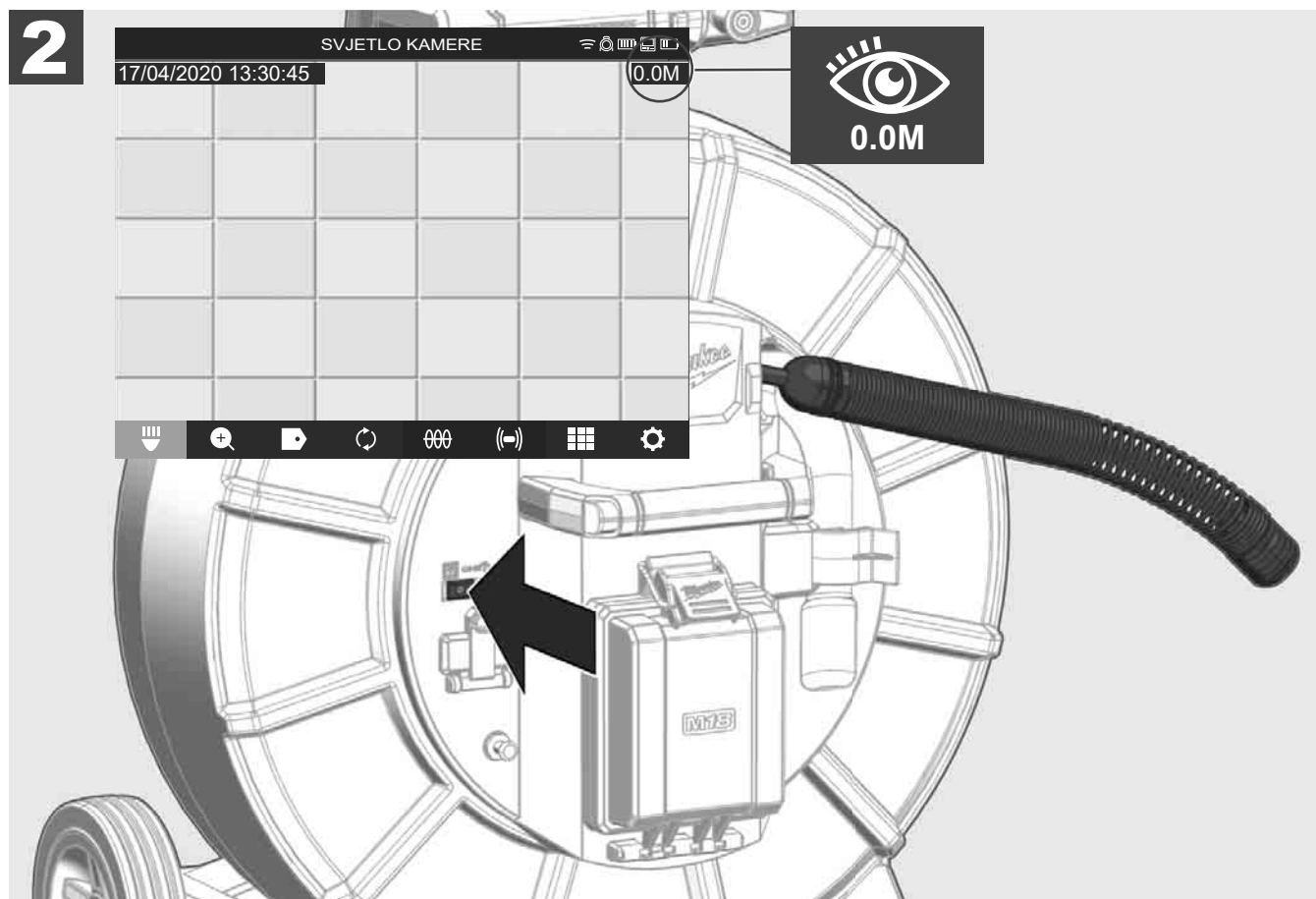
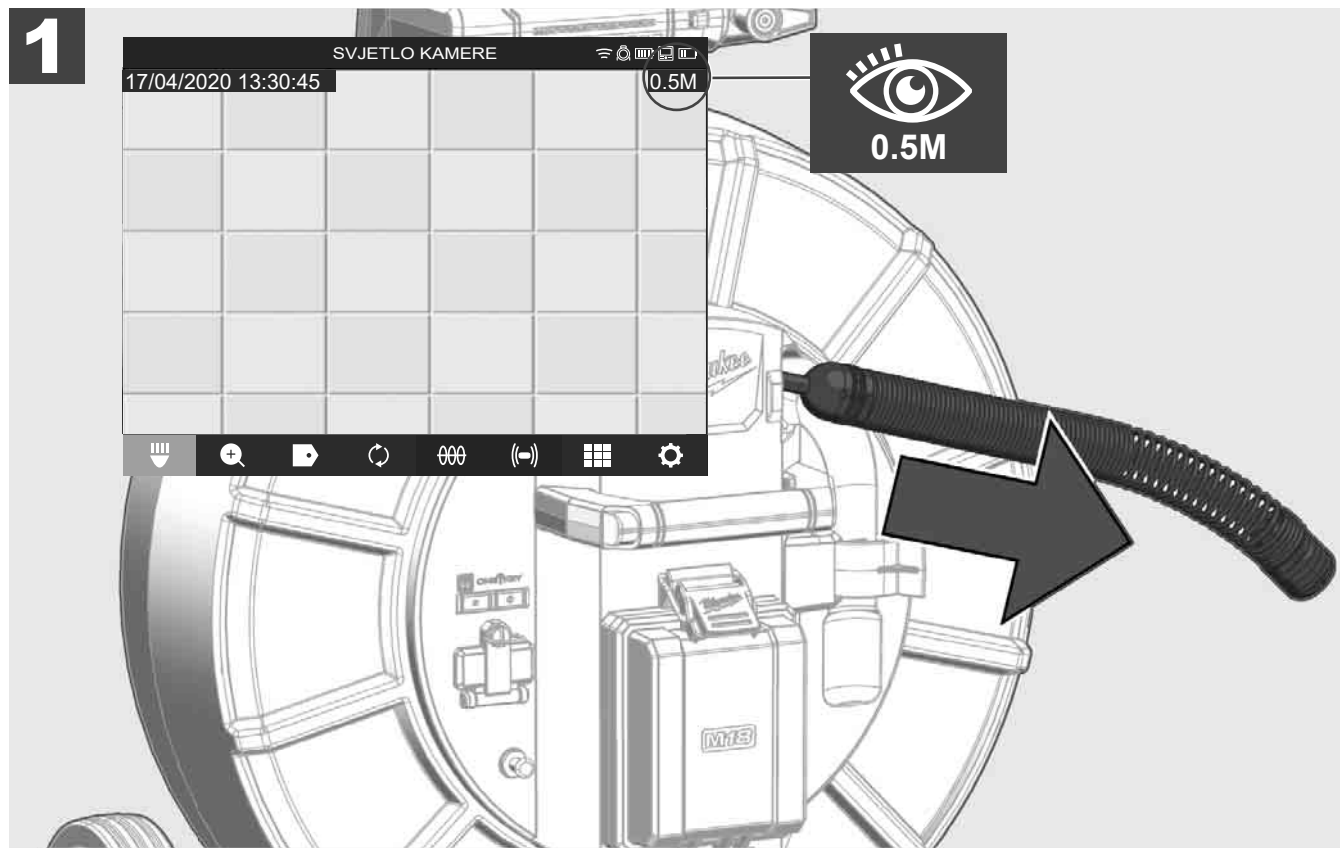


## 2.10 Resetiranje brojač duljine



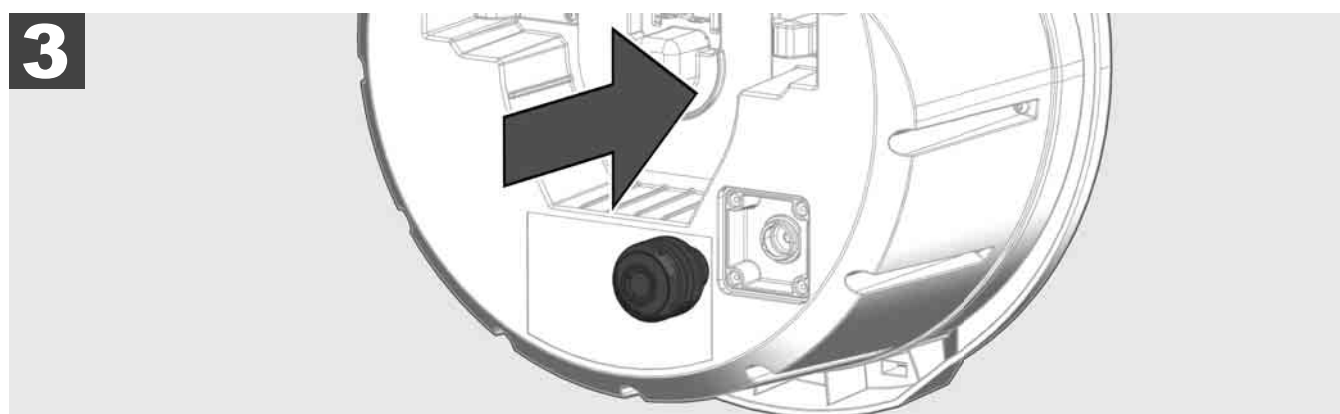
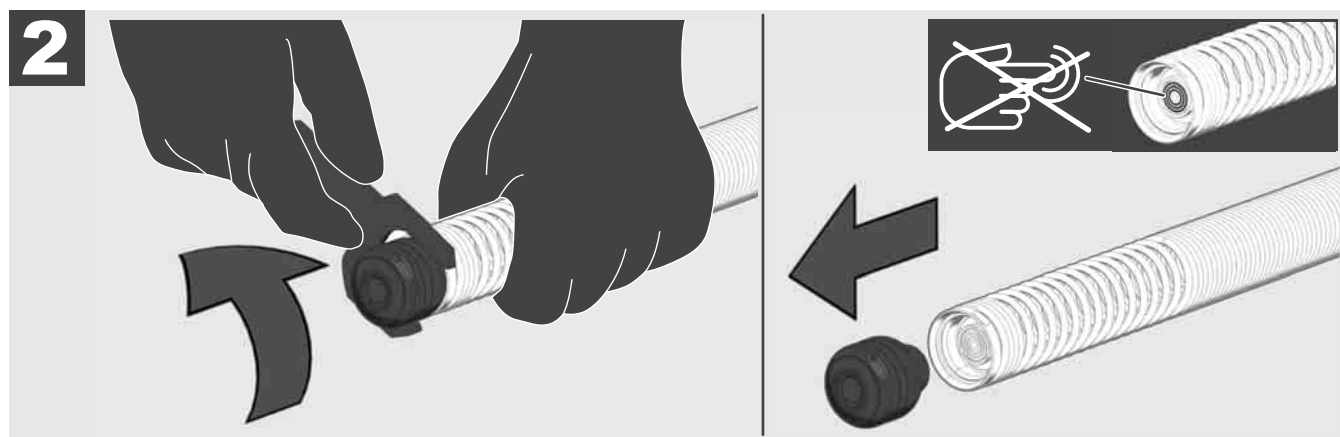
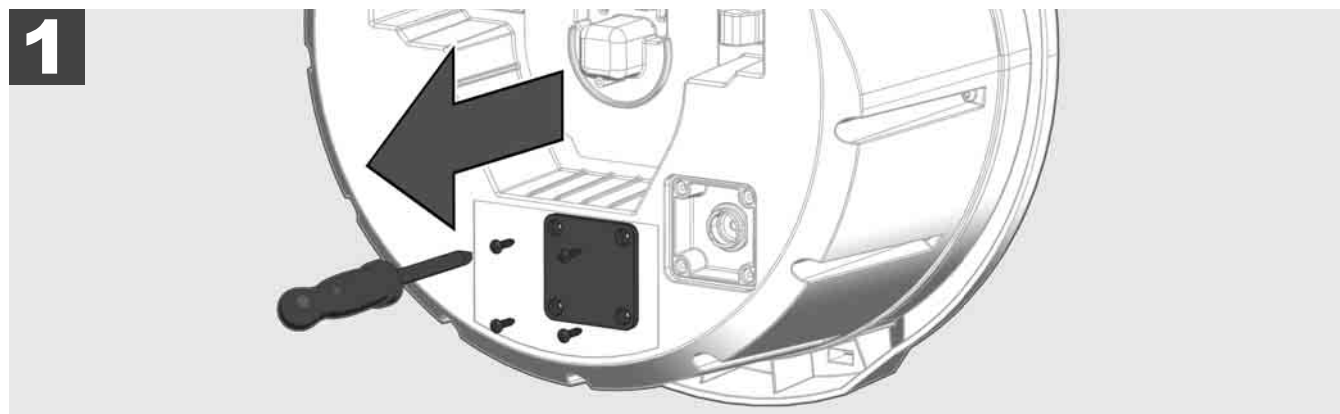
Prilikom odmatanja BUBNJA ZA ISPITIVANJE CIJEVI, duljina odmotanog kabela prikazuje se na statusnoj traci bežičnog monitora M18 SIM.

Za resetiranje prikaza pritisnite tipku .



## 2.11 Priključak za testiranje kamere


Ako postoje problemi s glavom kamere, kamera se može provjeriti putem priključka za testiranje kamere.

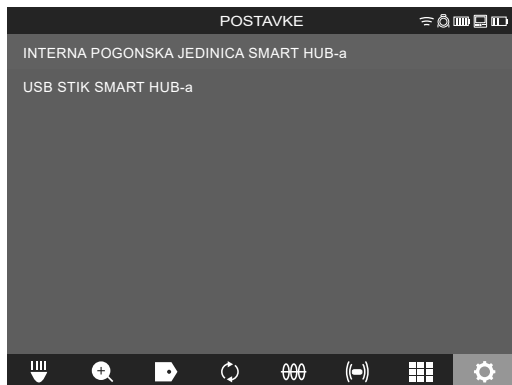


## 2.12 Formatiranje interne pogonske jedinice i USB stika

Ovom funkcijom možete formatirati internu pogonsku jedinicu Smart Hub-a od 500-GB ili USB stik.

USB stikovi moraju biti formatirani u FAT32 formatu.

1. Birajte **POSTAVKE**  → **FORMATIRATI MEMORIJE**
2. Odaberite memoriju.



3. Potvrdite poruku na zaslonu.



Odabrana pogonska jedinica se formatira i sustav se vraća u izbornik **POSTAVKE**.

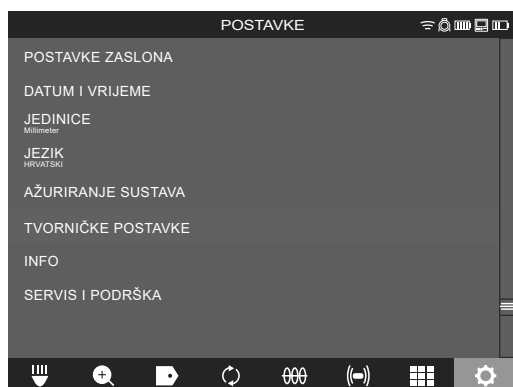
## 2.13 Tvorničke postavke

Selekcija funkcije Tvorničke postavke resetira Smart Hub M18 SISH na tvornički namještene vrijednosti.

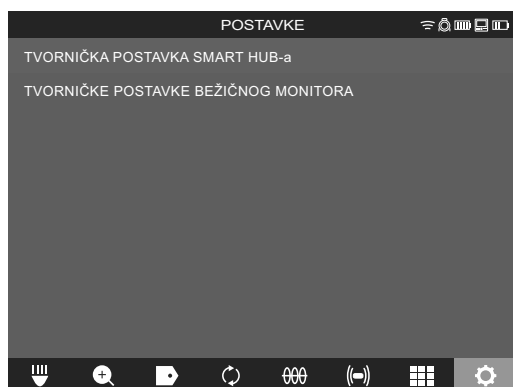
Resetiraju se sljedeće postavke Smart Hub-a M18 SISH:

- OZNAKE se brišu.
- Postavke VIDEO ZAPISA i SLIKA resetiraju se na 1080 P.
- NAZIV TVRTKE se briše.
- FREKVENCIJA SONDE resetira se na tvorničke postavke.
- PRAČENJE KABELA resetira se na tvorničke postavke.
- POSTAVKE ZASLONA resetiraju se na tvorničke postavke: nijansa boje, svjetloća, kontrast, zasićenost.
- MJERNE JEDINICE

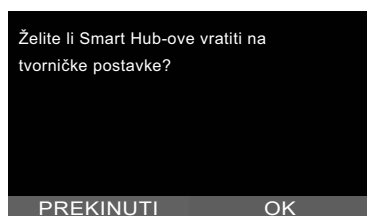
1. Birajte **POSTAVKE**  **TVORNIČKE POSTAVKE**



2. Birajte **TVORNIČKE POSTAVKE** Smart Hub M18 SISH.



3. Pročitajte i potvrdite poruku o resetiranju s OK.



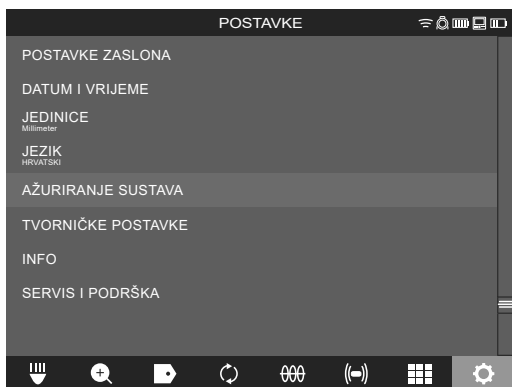
Resetiranje na tvorničke postavke je dovršeno i sustav se vraća u podizbornik **TVORNIČKE POSTAVKE**.

## 2.14 Ažuriranje sustava

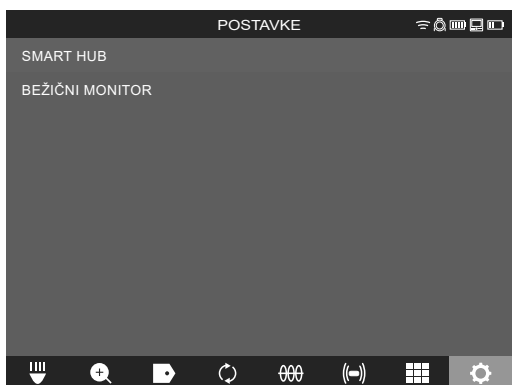
Prije ažuriranja sustava otvorite izbornik **POSTAVKE** → **INFO** i notirajte trenutnu verziju firmvera.

Ažuriranja firmvera mogu se provesti putem bežičnog monitora M18 SIM ili putem tableta s Milwaukee® aplikacijom za ispitivanje cijevi.

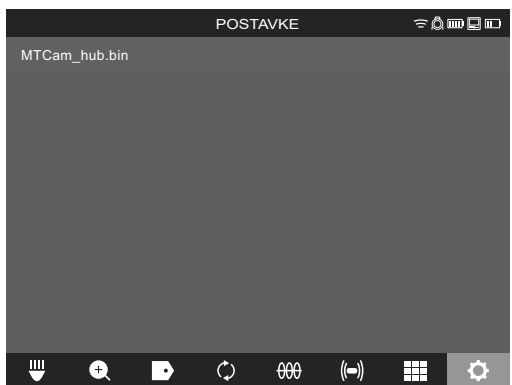
1. Uključite Smart Hub M18 SISH i bežični monitor M18SIM ili tablet s Milwaukee® aplikacijom za ispitivanje cijevi.
2. Uvjerite se da je bežični monitor M18 SIM, odnosno tablet povezan s Smart Hub-om M18 SISH putem WLAN-a. Ako WLAN veza ne postoji, prvo je uspostavite.
3. Umetnite USB stik s ažuriranjem firmvera u USB-A-priključak Smart Hub-a M18 SISH.
4. Birajte **POSTAVKE** → **AŽURIRANJE SUSTAVA**



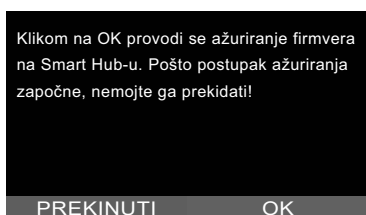
5. Birajte Smart Hub M18 SISH.



6. Naziv datoteke ažuriranja prikazuje se na zaslonu. Odaberite **NAZIV DATOTEKE** da biste započeli ažuriranje.

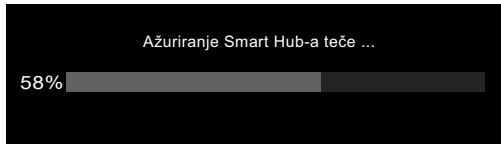


7. Pročitajte i potvrdite upozorenje s OK.

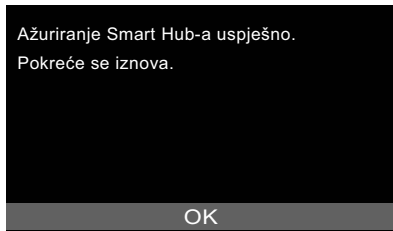




8. Tijek ažuriranja prikazuje se na traci napretka.



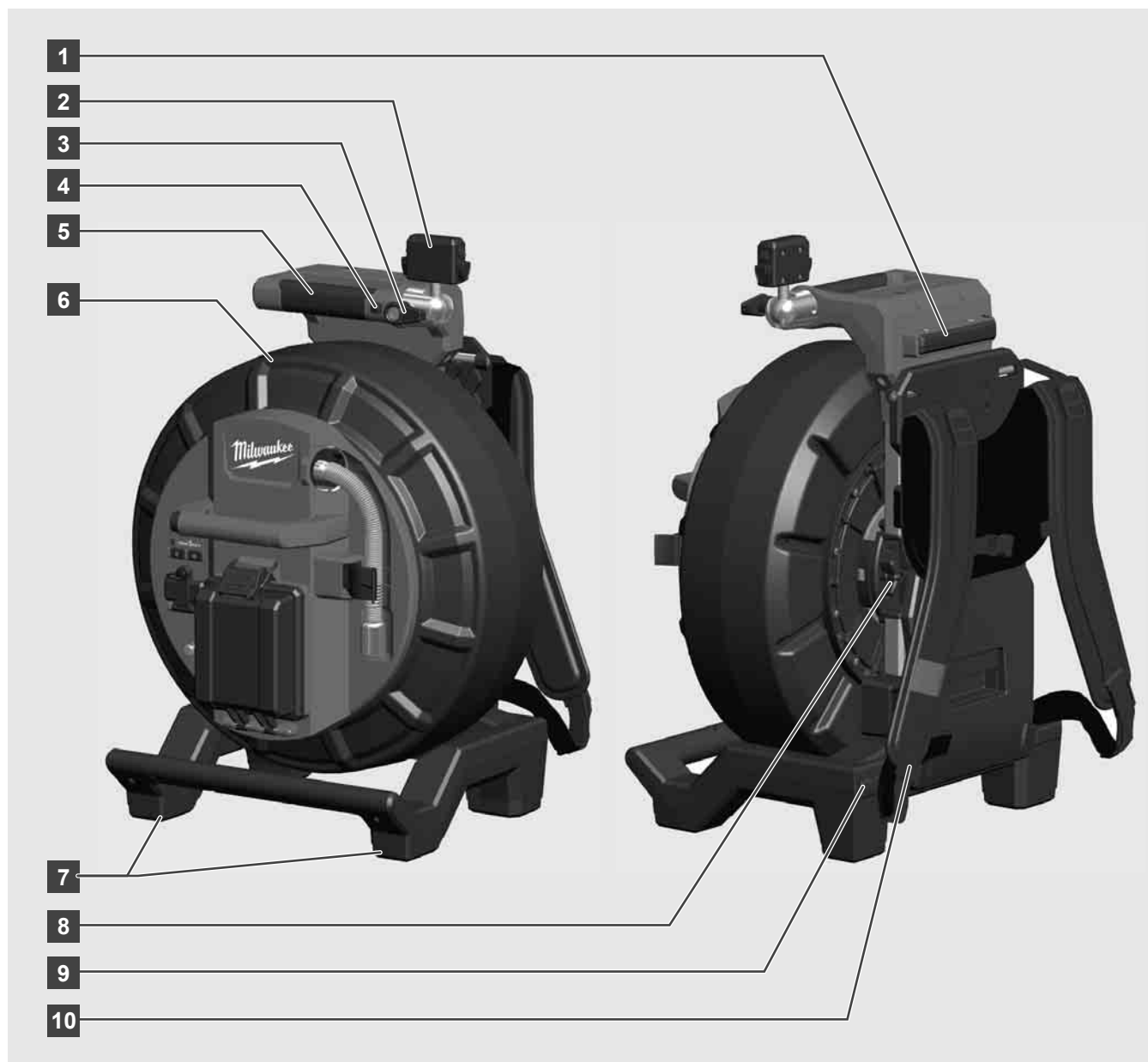
9. Na kraju ažuriranja pojavljuje se poruka koju morate potvrditi. Birajte OK da biste ponovno pokrenuli sustav.



10. Birajte POSTAVKE → INFO da biste provjerili je li verzija firmvera ažurirana.

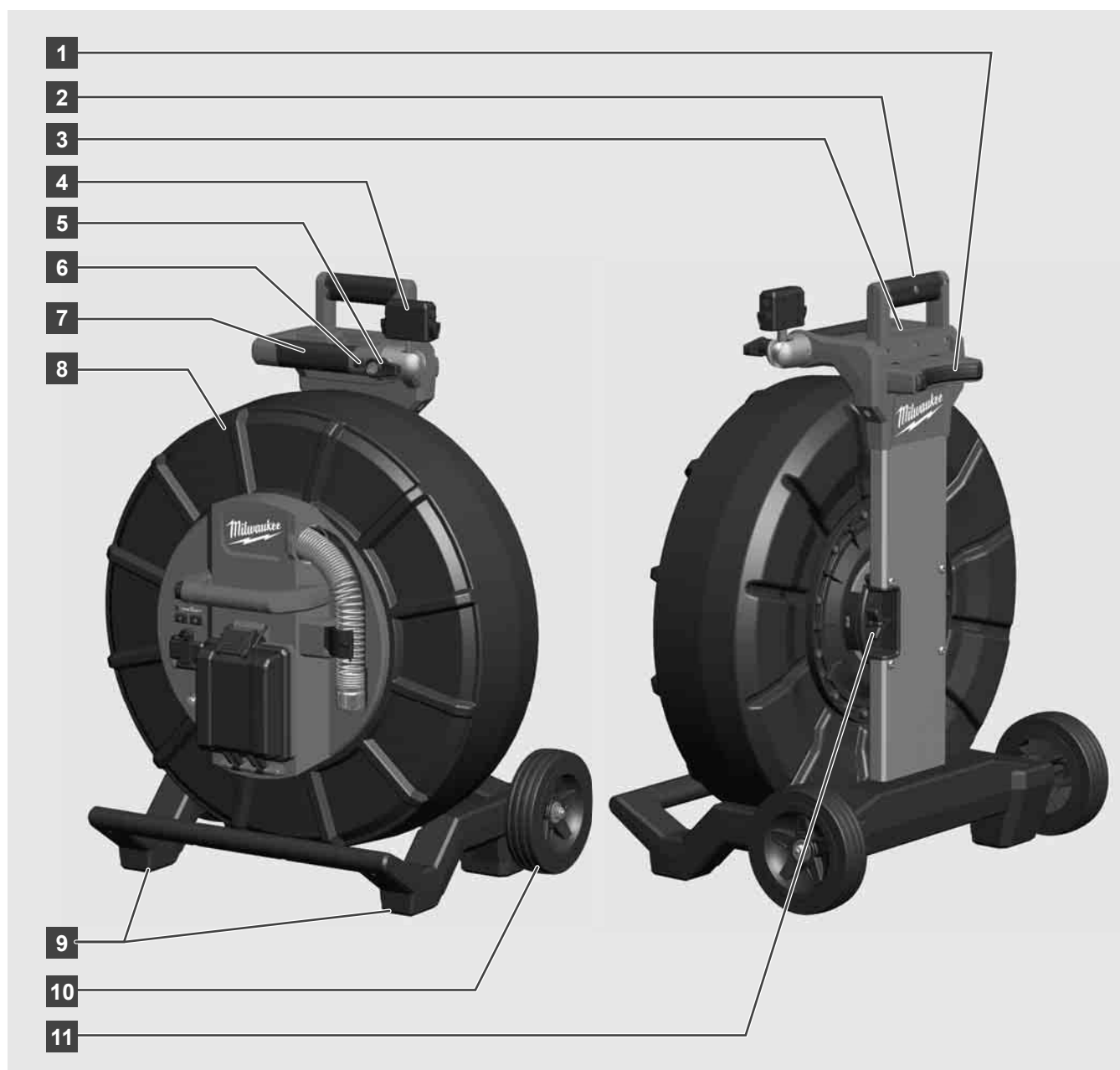
### 3 BUBNJEVI ZA ISPITIVANJE CIJEVI

#### 3.1 Pregled bubnja za ispitivanje cijevi M18 SIC36



- 1 Podesiv nogar za horizontalnu uporabu
- 2 Bežični monitor M18 SIM – držač tableta i priključak
- 3 Bežični monitor M18 SIM – zaključavanje okreta
- 4 Bežični monitor M18 SIM – zaključavanje nagiba
- 5 Ručica
- 6 Kabelski bubanj s potisnim kabelom
- 7 Podesiv nogar za vertikalnu uporabu
- 8 Kočnica kabelskog bubnja
- 9 Podesiv nogar za horizontalnu uporabu
- 10 Aparatura za nošenje

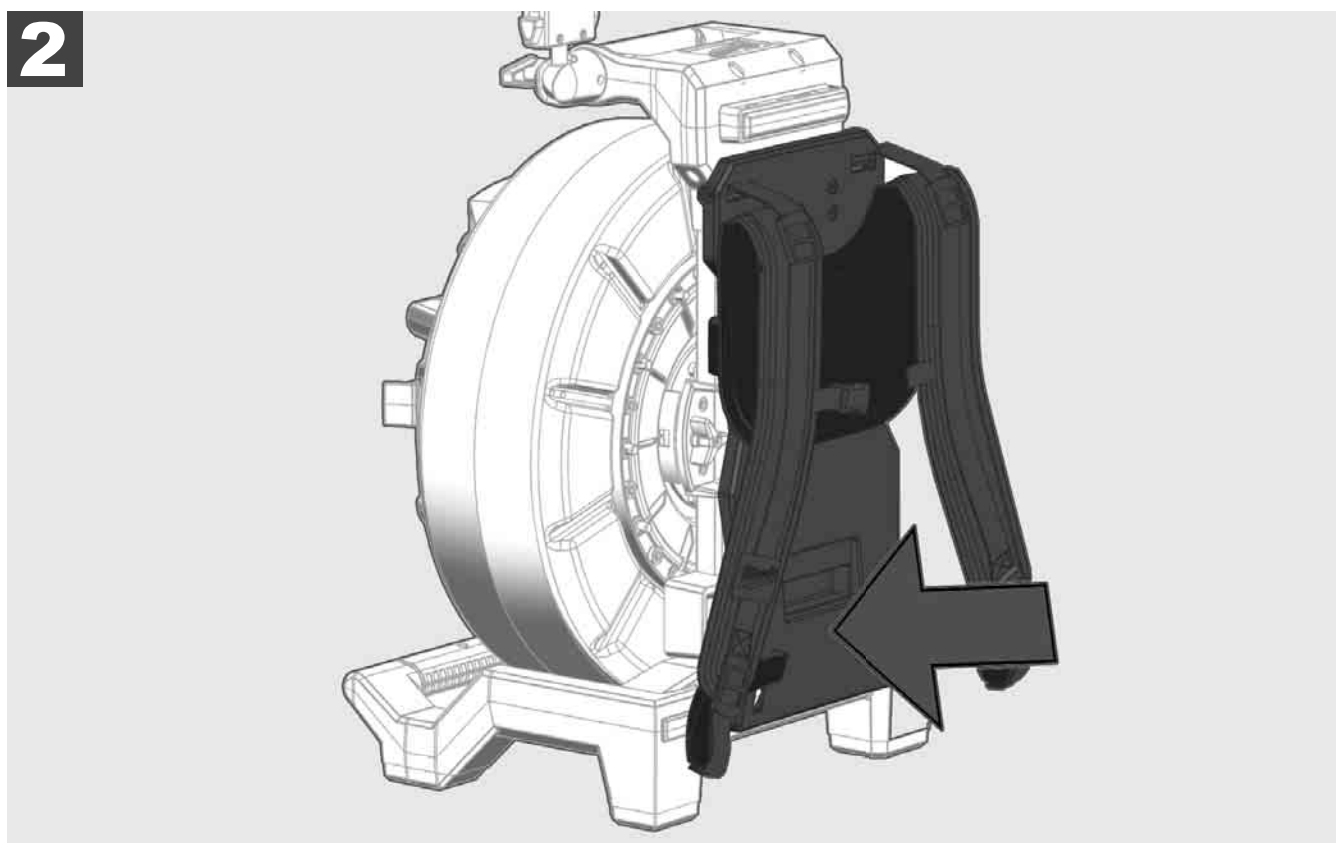
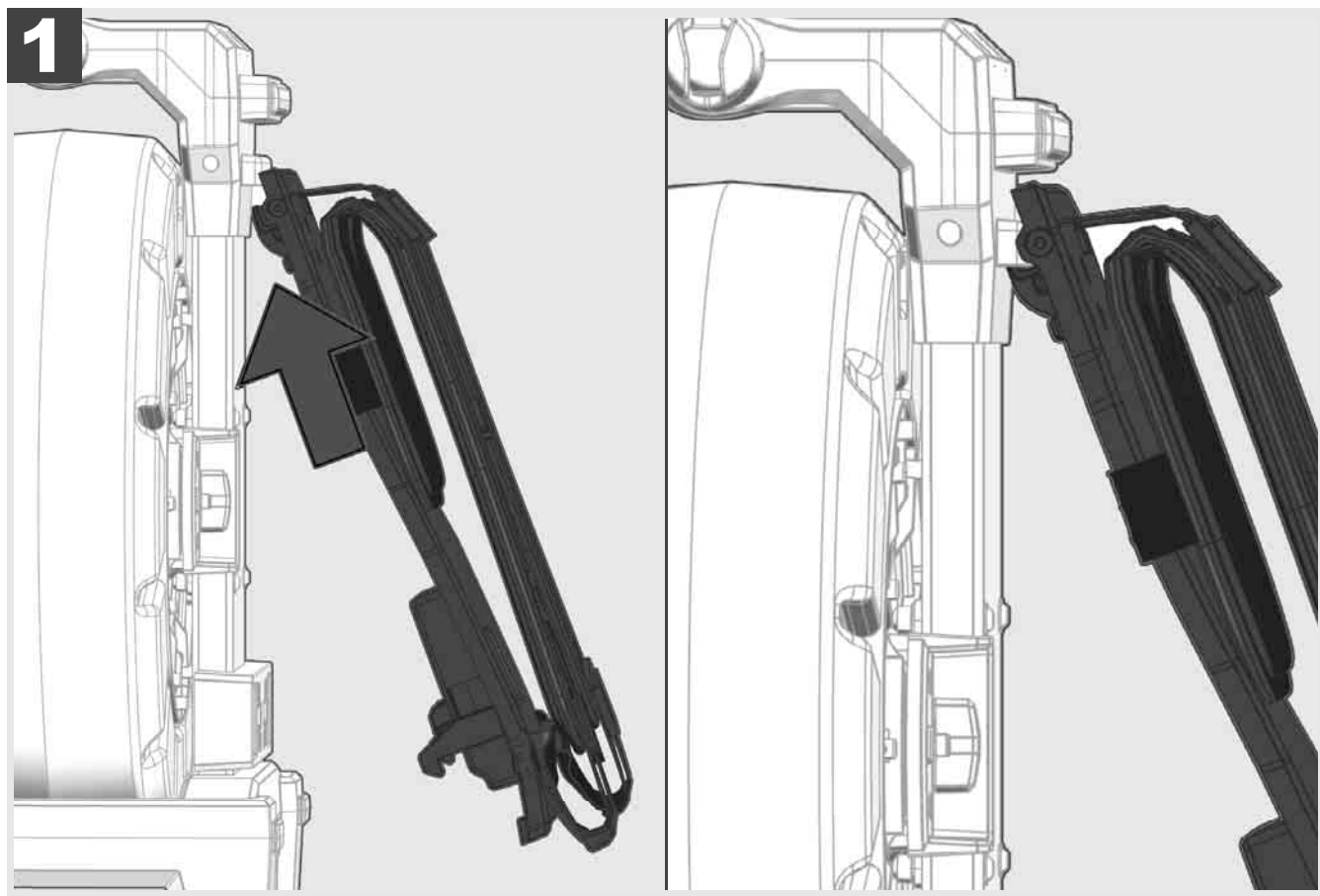
### 3.2 Pregled bubnja za ispitivanje cijevi M18 SIC60



- 1 Podesiv nogar za horizontalnu uporabu
- 2 Izvlačiva ručica (u uvučenoj poziciji)
- 3 Tipka za blokiranje i deblokiranje izvlačive ručice
- 4 Bežični monitor M18 SIM – držač / držač tableta i priključak
- 5 Bežični monitor M18 SIM – zaštita od okreta
- 6 Bežični monitor M18 SIM – zaštita od nagiba
- 7 Ručica
- 8 Kabelski bubanj s potisnim kabelom
- 9 Podesiv nogar za vertikalnu uporabu
- 10 Kotači
- 11 Kočnica kabelskog bubnja

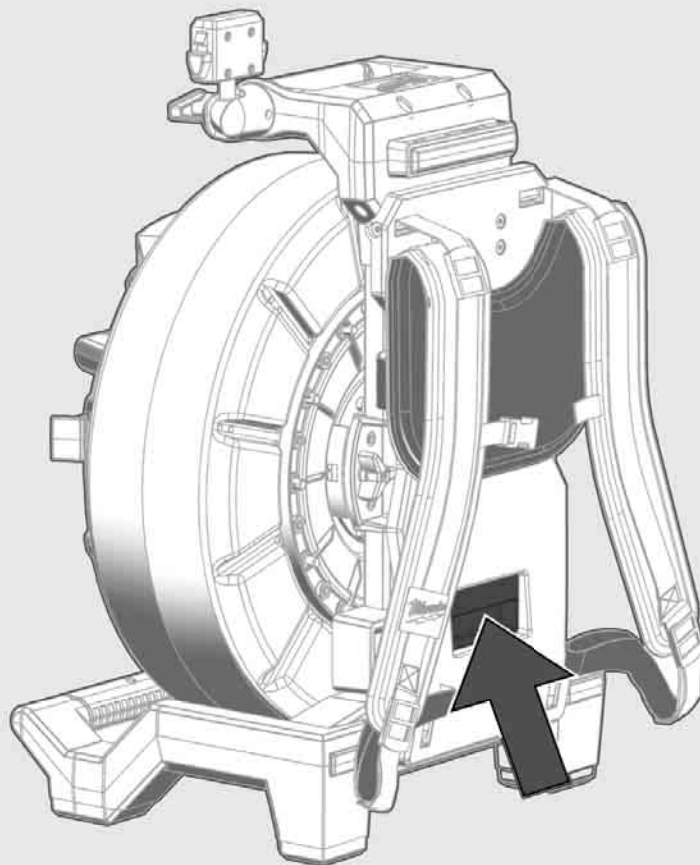
### 3.3 Instaliranje aparature za nošenje

BUBANJ ZA ISPITIVANJE CIJEVI M18 SIC36 opremljen je aparaturom za nošenje s kojom se bubanj može nositi na leđima poput ruksaka. To omogućava ugodan transport malog bubnja do mjesta primjene, što je posebno praktično pri penjanju stepenicama ili primjeni ljestvi.

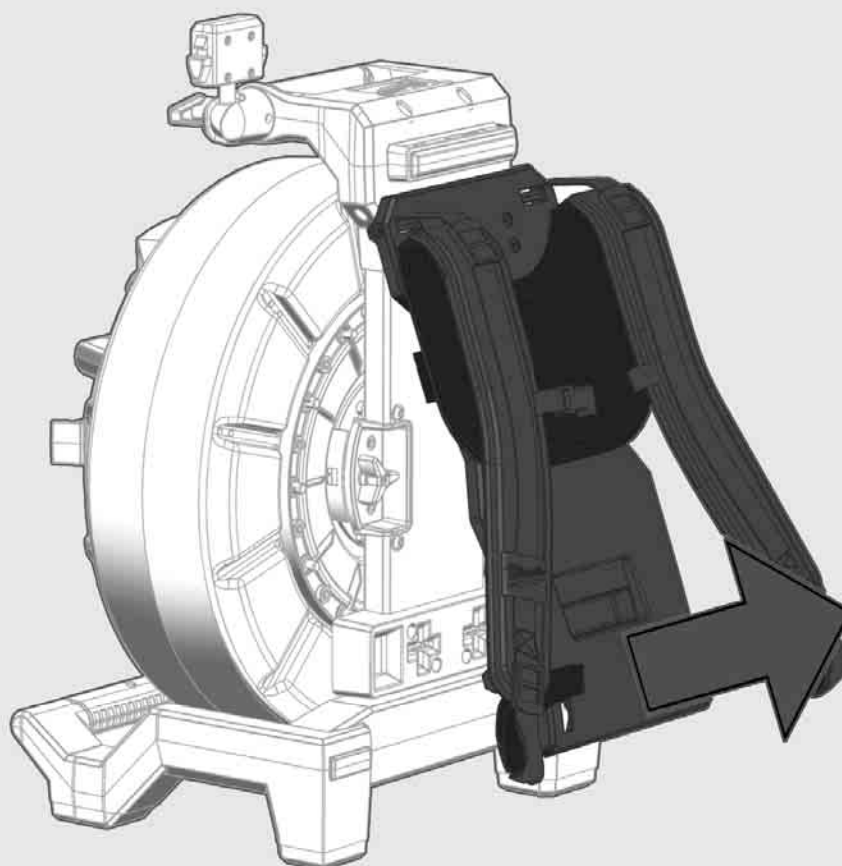


Aparaturu za nošenje okačite s gornje strane i pritiskajte ju dlanovima s donje strane, sve dok se aparatura za nošenje ne uglati. Kratko povucite aparaturu za nošenje, kako biste bili sigurni da je uglatljena.

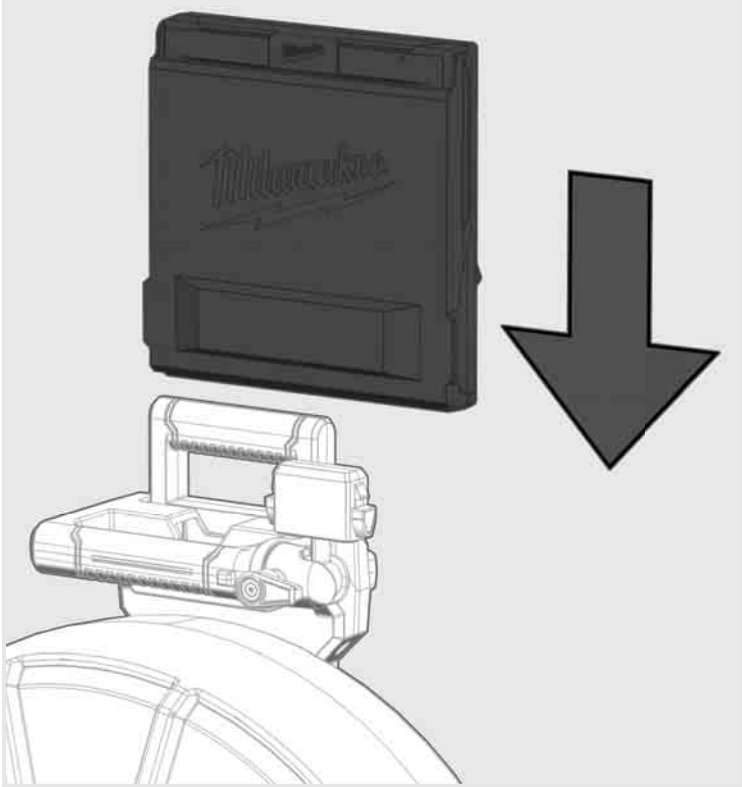
**1**



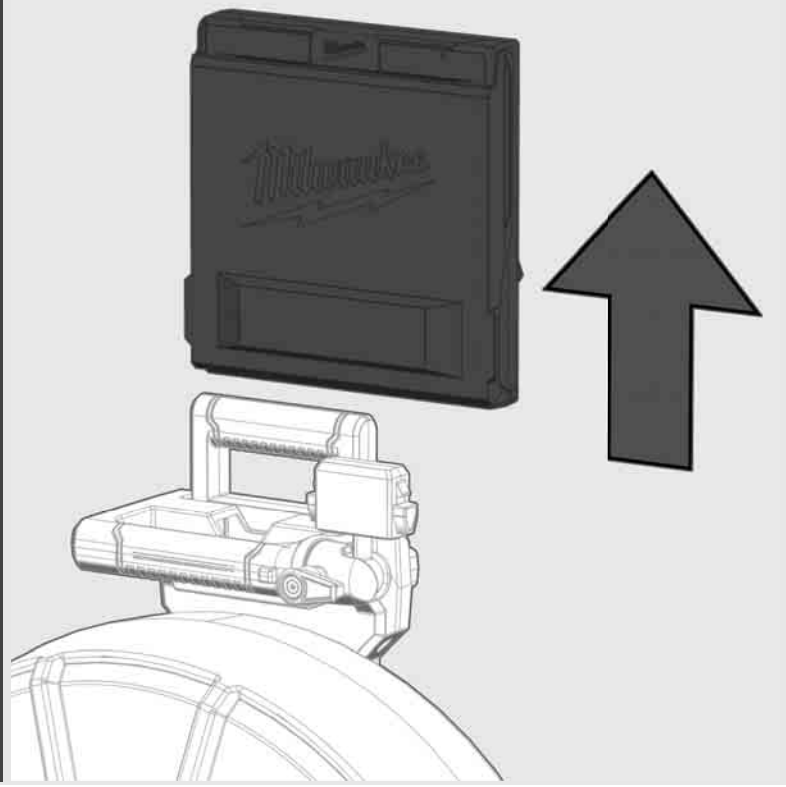
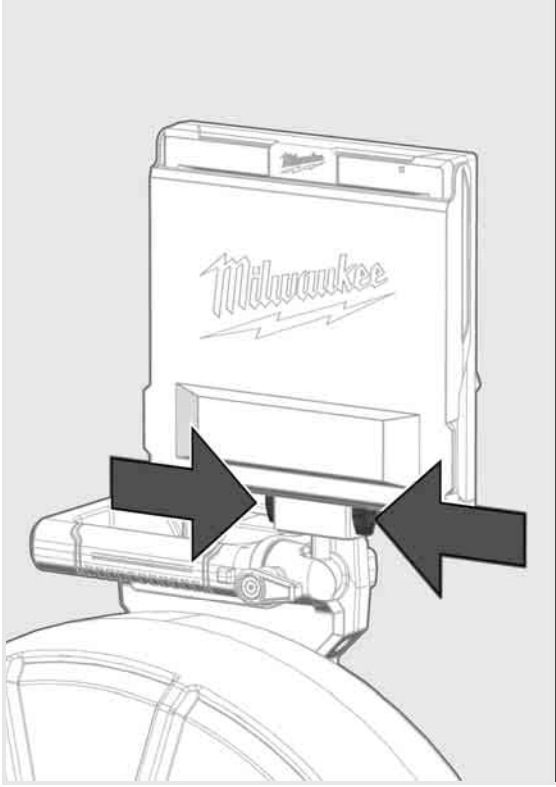
**2**

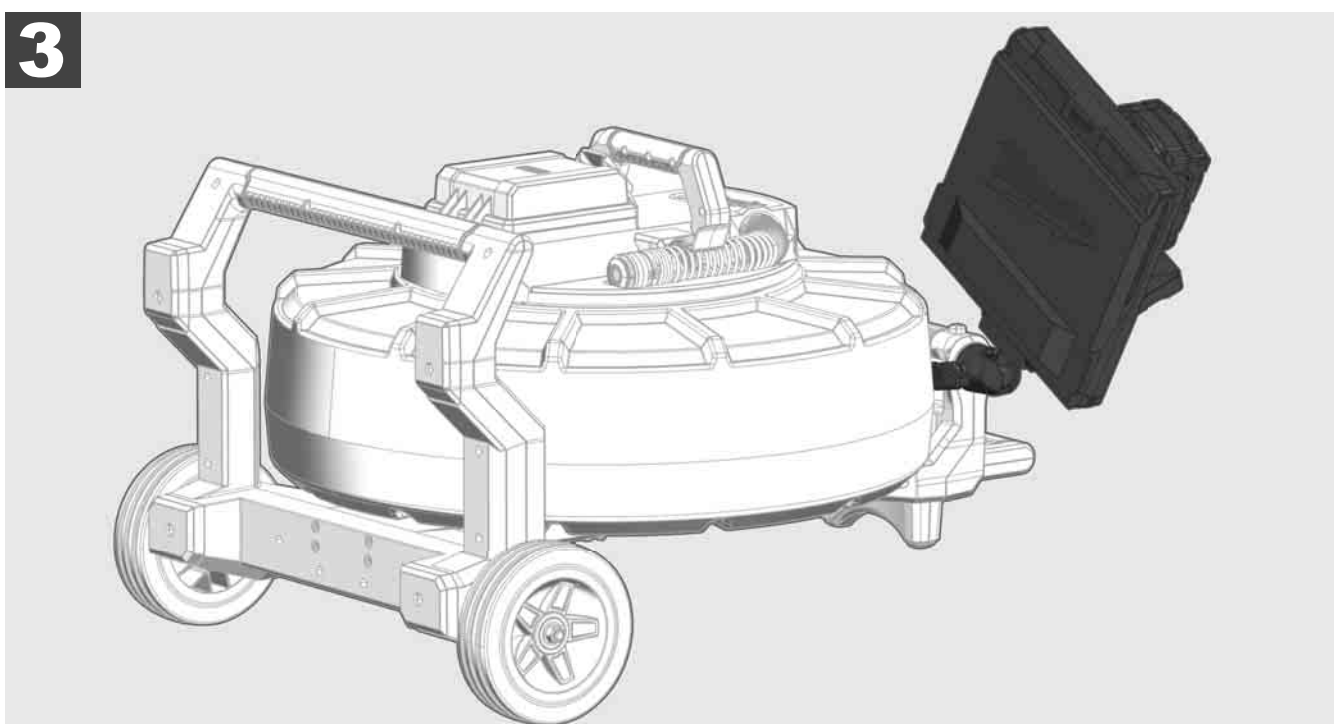
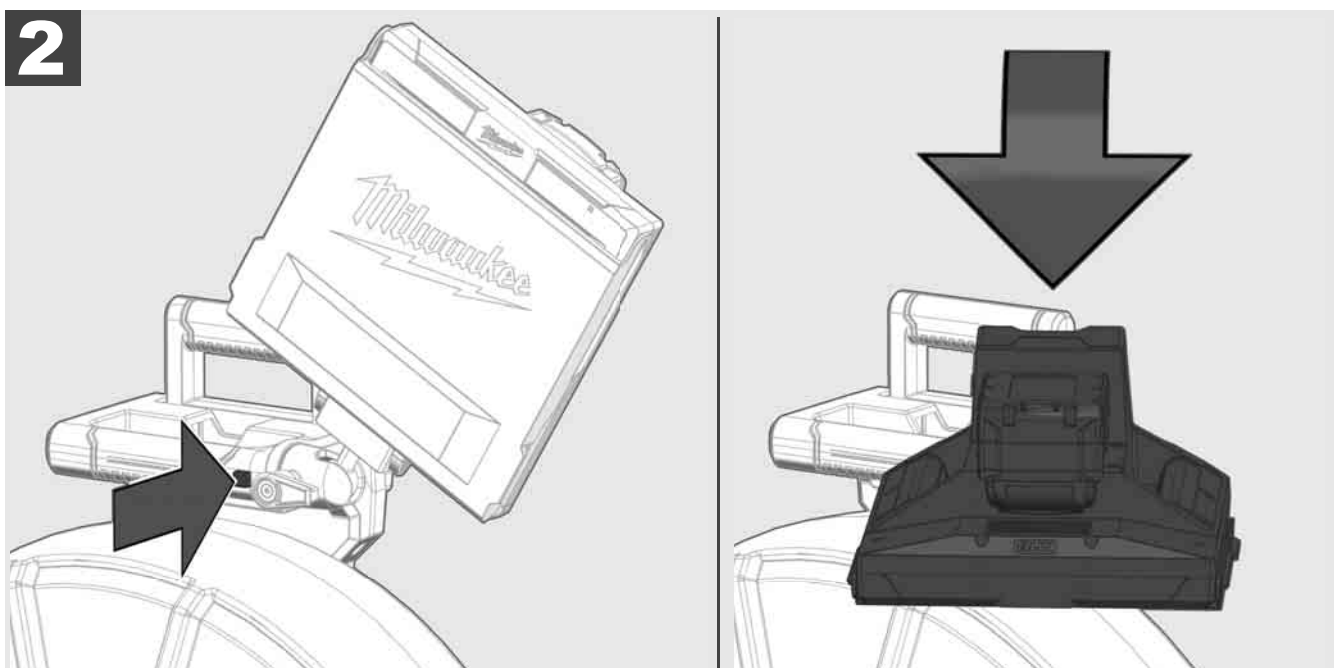
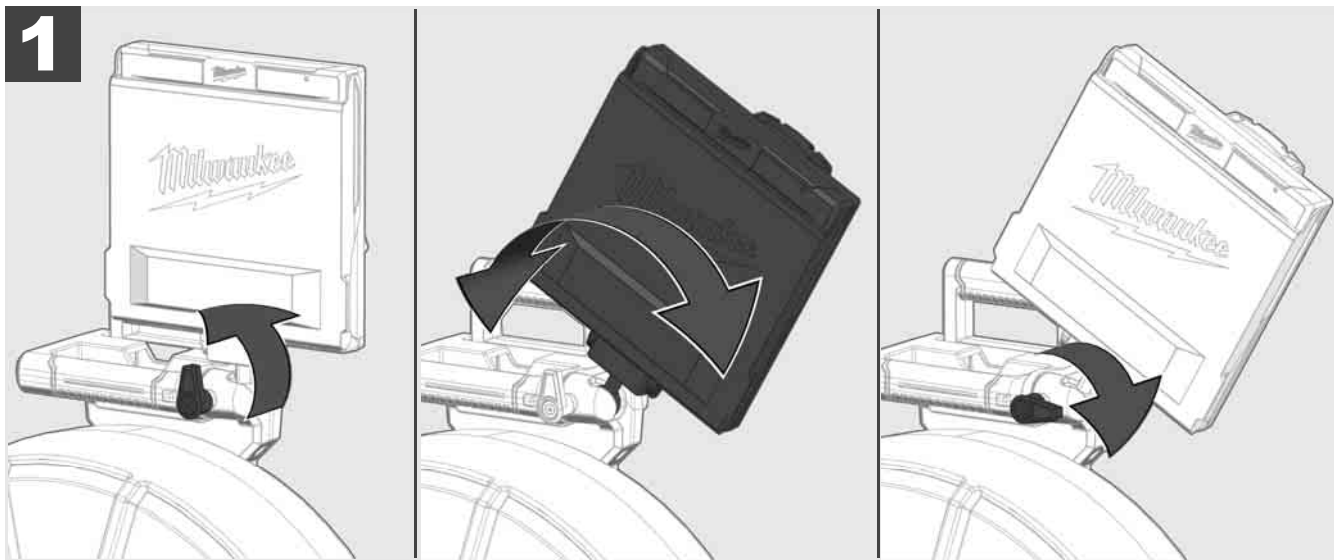


**1**



**2**





### 3.7 Uporaba bubnja za ispitivanje cijevi



Provjerite potisni kabel na znakove istrošenosti – Prilikom namatanja provjerite kabel za posjekotine, pukotine i trošenje. Ako je omotač toliko istrošen da se može vidjeti žuta ili bijela kevlarska pletenica, potisni kabel treba zamijeniti. Kada koristite potisni kabel s oštećenim omotačem, može doći do prodiranja vode i vlage što može utjecati na kvalitetu snimaka kamerom ili dovesti do kvara kamere.

Donja ilustracija pokazuje primjere jako oštećenih omotača. Takvi potisni kabeli moraju biti zamijenjeni u najkraćem mogućem roku.

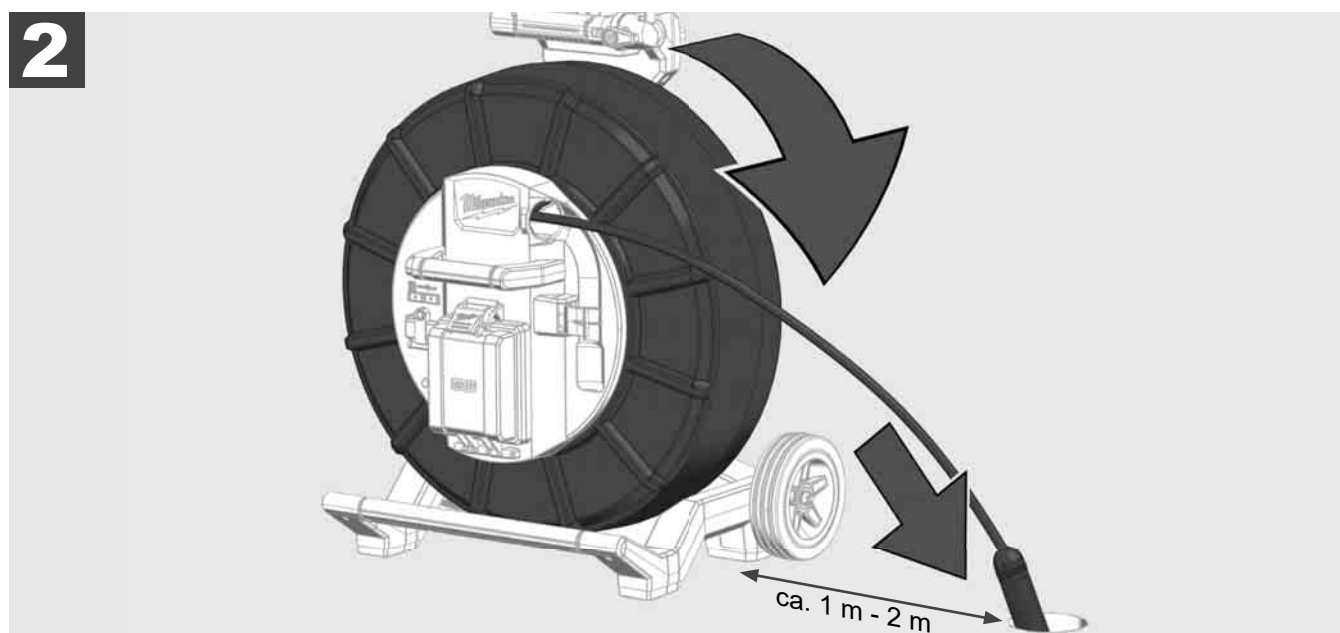
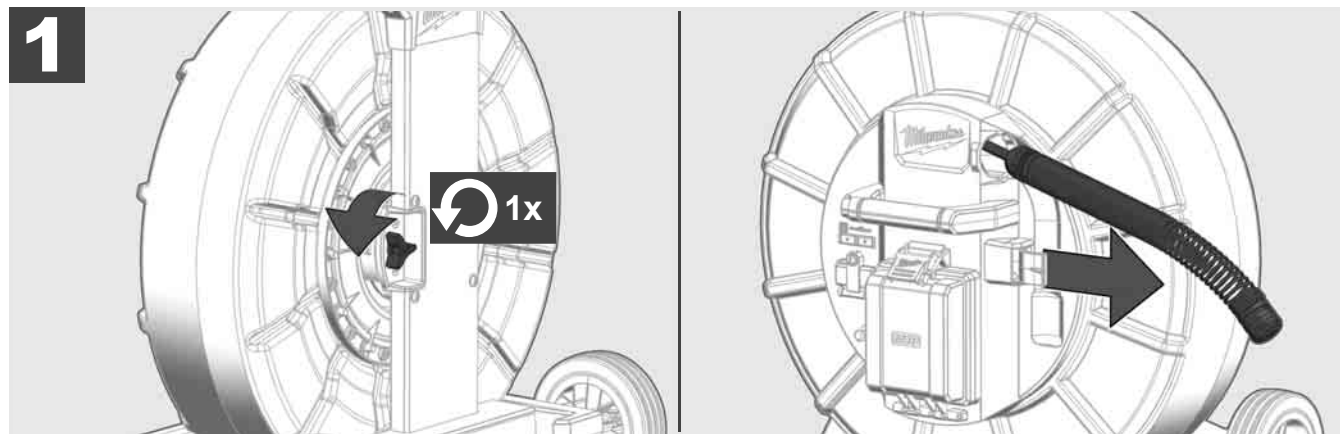


Uvijek održavajte potisni kabel i opružni modul suhim i čistim – Prilikom namatanja uvijek očistite kabel čistom, suhom krpom. Na kraju radnog dana pažljivo uklonite prljavštinu s glave kamere i opruge pod tekućom vodom. Protresite dijelove ili ispušite višak vode suhim zrakom niskog tlaka, a zatim osušite dijelove. Glava kamere, potisni kabel i priključni dijelovi svakodnevno su izloženi agresivnim kemikalijama. Pažljivo čišćenje sustava produljiti će vijek trajanja ovih dijelova.

Pažljivo radite s potisnim kabelom – Ne izvlačite potisni kabel iz zaključanog bubnja. Inače će se kabel zgnječiti u bubnju i prekomjerno će se opteretiti. S druge strane, guranje potisnog kabela natrag u zaključani bubanj može dovesti do prevrtanja rolne ili savijanja kabela.

Postavite bubanj na ravnu površinu oko 1 do 2 metra od ulaznog mjesta. Tako ostaje dovoljno prostora za rukovanje kabelom bez povlačenja petlji kabela preko poda. Ako je potrebno, pritisnite tarnu kočnicu kako biste usporili kretanje potisnog kabela.

Ako se bubanj koristi u horizontalnoj poziciji, povećava se površina između nogara. To daje bubnju stabilniji položaj na neravnom terenu i smanjuje njegovu visinu, što je prednost u tijesnim prostorima.





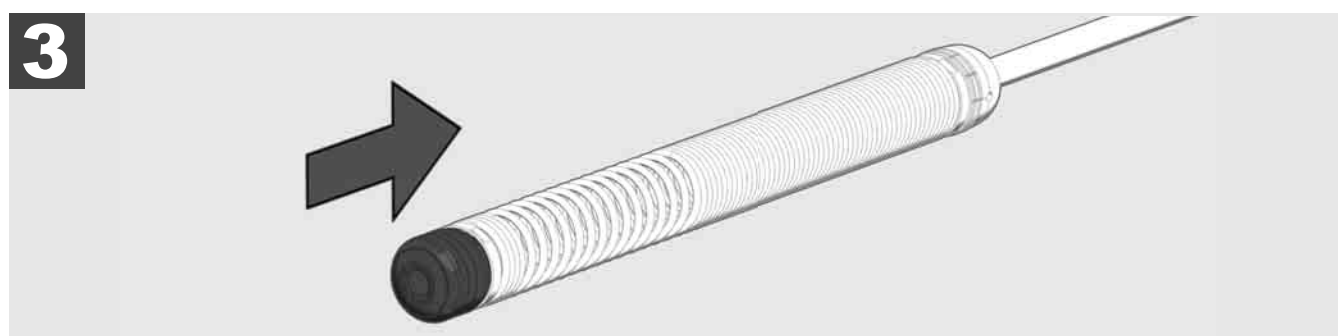
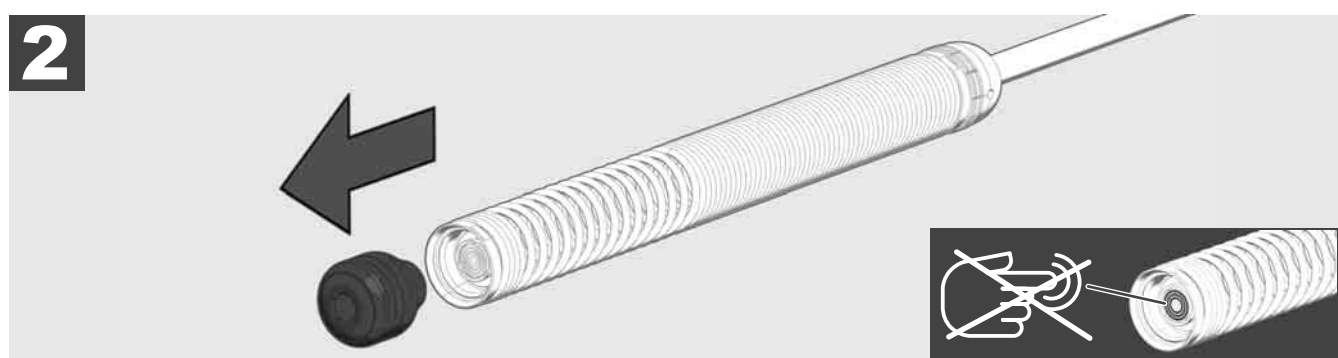
### 3.8 Modul glave kamere



Ako je moguće, nemojte dirati golim rukama zelenu tiskanu pločicu ili zlatne kontakte na modulu opruge, kao i glavu kamere. Inače će se masni sloj s prstiju prenijeti na te komponente, što može dovesti do njihove rane korozije. Ako je moguće, nosite čiste i suhe gumene rukavice.

Prije uklanjanja glave kamere obrišite ju da se osuši i uklonite nečistoću koja bi mogla pasti u područje priključka kamere.

Nemojte previše zatezati i ne koristite pretjeranu silu!



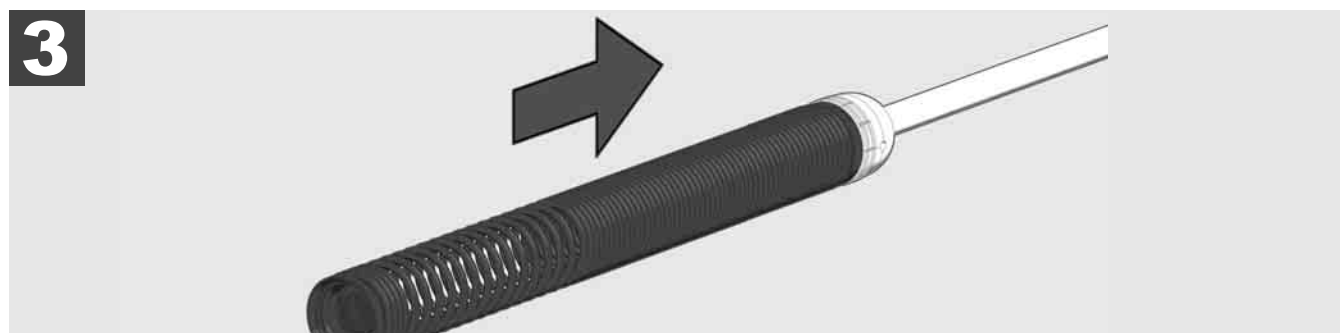
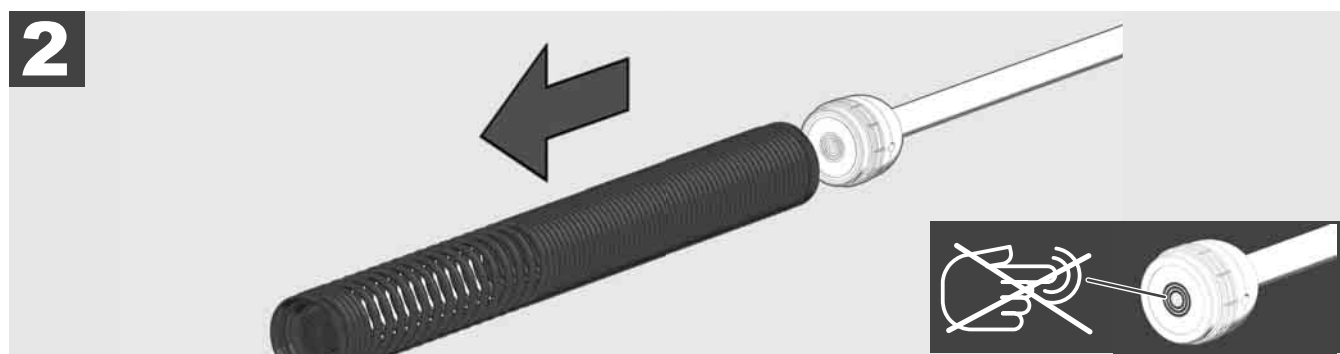
### 3.9 Grupa opruga



Ako je moguće, nemojte dirati golim rukama zelenu tiskanu pločicu ili zlatne kontakte na modulu opruge, kao i glavu kamere. Inače će se masni sloj s prstiju prenijeti na te komponente, što može dovesti do njihove rane korozije. Ako je moguće, nosite čiste i suhe gumene rukavice.

Prije uklanjanja glave kamere obrišite ju da se osuši i uklonite nečistoću koja bi mogla pasti u područje priključka kamere.

Nemojte previše zatezati i ne koristite pretjeranu silu!



### 3.10 Zaštitni poklopci kamere

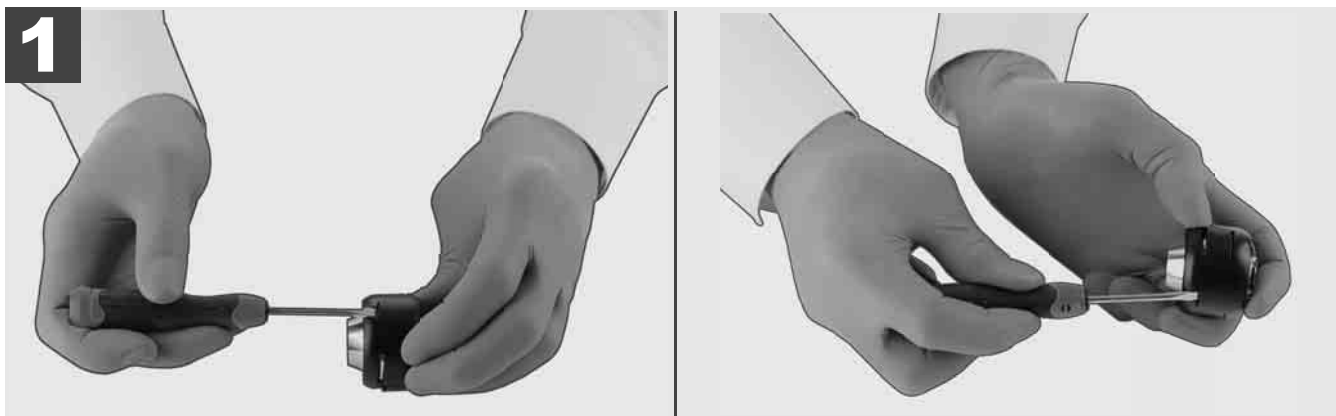


Zaštitni poklopci – Pogodni za glave kamera s promjerom 25 mm odn. 34 mm. Ovi zaštitni poklopci isporučuju se sa svim BUBNJEVIMA ZA ISPITIVANJE CIJEVI ili rezervnim glavama kamera.

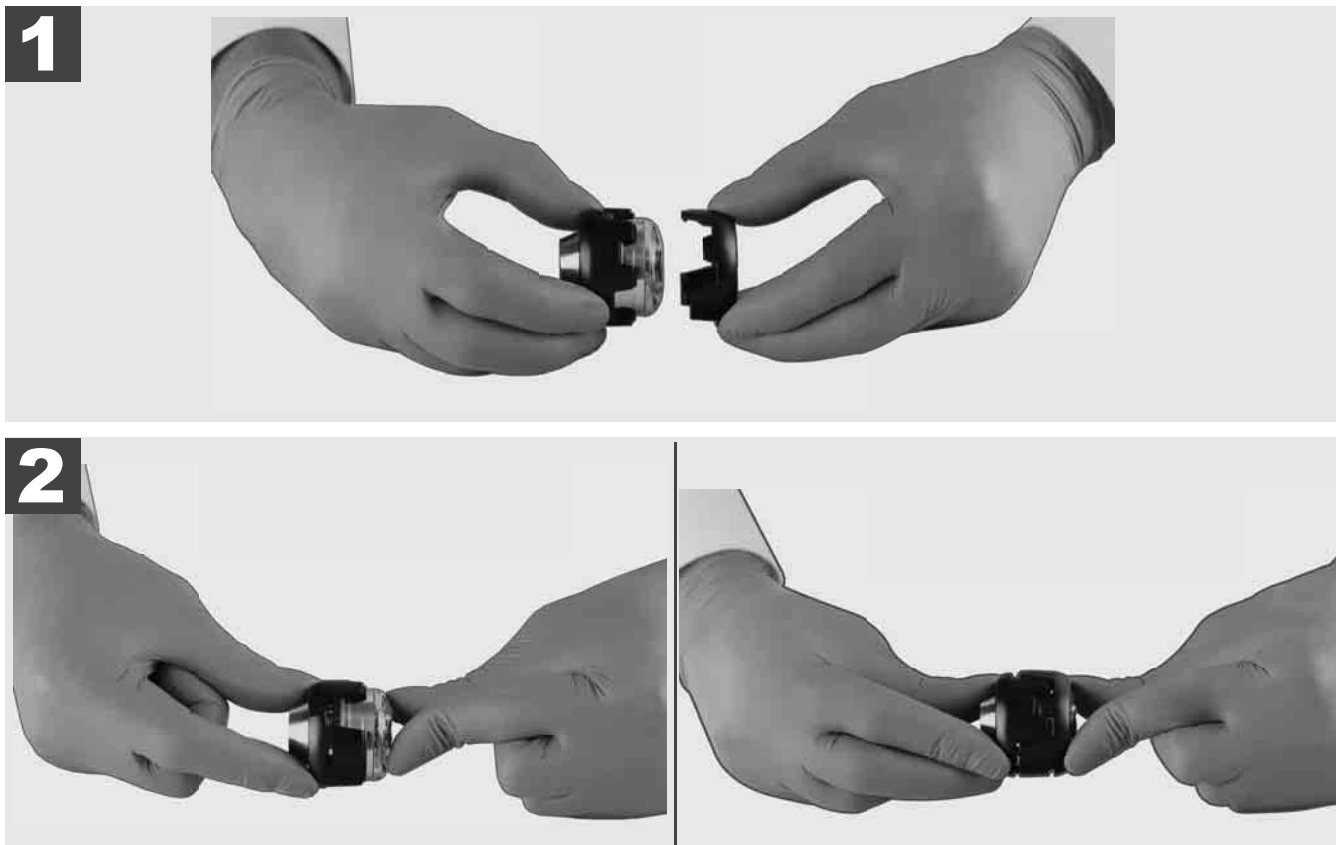
Vodilice – Postavljaju se na modul opruge tako da se glava kamere pomiče po podu i ne dolazi u izravan dodir s cijevi.



#### Uklanjanje zaštitnog poklopca



#### Instaliranje zaštitnog poklopca



### 3.11 Vodilice kamere



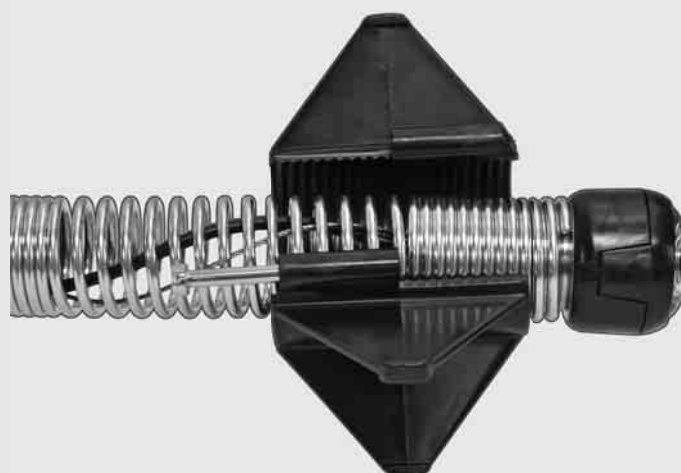
Na raspolaganju su dvije vodilice za glave kamere širine 25 mm odn. 34 mm: Mala izvedba s 75 mm i srednja izvedba s 100 mm.

Vodilica kamere 25 mm

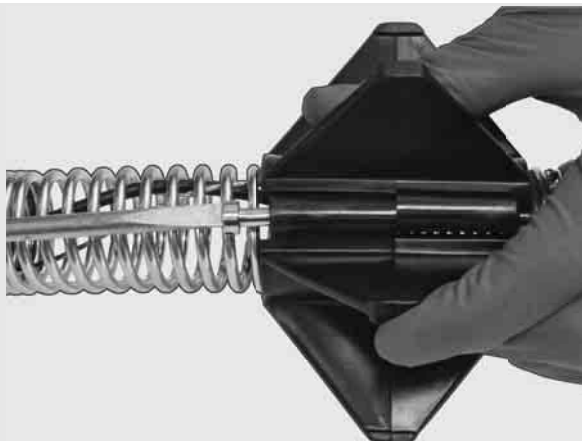
Vodilica kamere 34 mm



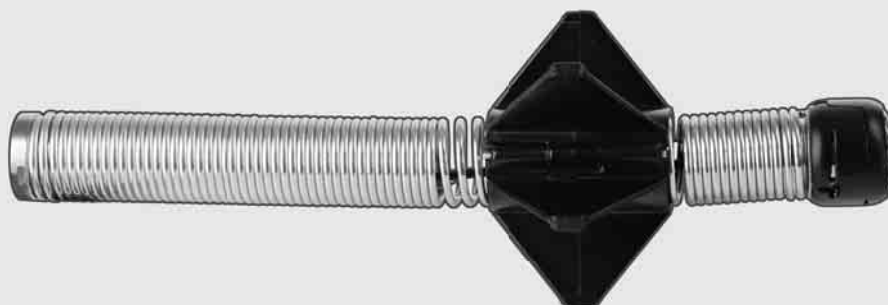
**1**



**2**



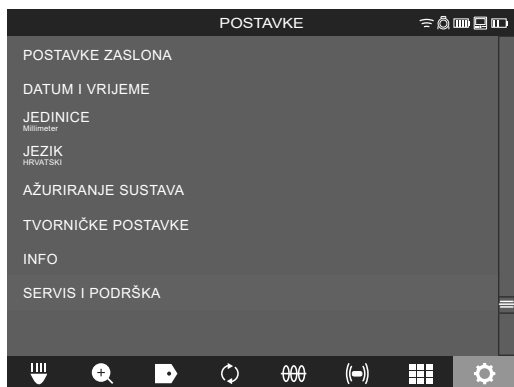
**3**



### 3.12 Servis i podrška

Ako je potreban popravak Vašeg SUSTAVA ZA ISPITIVANJE CIJEVI, pod stavkom SERVIS I PODRŠKA na servisnoj stranici za Milwaukee alate naći ćete sve važne telefonske brojeve.

Birajte **POSTAVKE** → **SERVIS I PODRŠKA**



**Milwaukee**  
Nothing but **HEAVY DUTY**®

click →

**M18 SIC36**  
**M18 SIC60**  
**M18 SISH**

click →

**M18 SIM**

click

The complex block contains two product images with callouts. The top image shows two Milwaukee pipe leak detectors (SIC36 and SIC60) on a pallet, with a 'click' arrow pointing to them. Below the image are the model numbers: M18 SIC36, M18 SIC60, and M18 SISH. The bottom image shows the M18 SIM pipe leak detector, with a 'click' arrow pointing to it. A large 'click' text is positioned to the right of the bottom image.

1	Vispārējas norādes.....	2
1.1	Īpaši drošības noteikumi attiecībā uz cauruļu apskates sistēmām .....	2
1.2	Citas drošības un darba instrukcijas .....	2
1.3	Tehniskie dati .....	3
1.4	Noteikumiem atbilstošs izmantojums.....	3
1.5	Ar Eiropas instalācijām bezvadu frekvenču prasības .....	3
1.6	EK atbilstības deklarācija .....	3
1.7	ONE-KEY™ .....	4
1.8	AKUMULATORI .....	4
1.9	Litija jonu akumulatoru transportēšana .....	4
1.10	Apkope.....	4
1.11	Simboli .....	5
2	Smart Hub M18 SISH .....	6
2.1	Smart Hub M18 SISH pārskats .....	6
2.2	Ievietojiet un izņemiet akumulatoru.....	7
2.3	Pārbaudiet akumulatora uzlādi .....	8
2.4	Ievietojiet Smart Hub M18 SISH .....	9
2.5	Izņemiet Smart Hub M18 SISH .....	10
2.6	Ieslēgšanas/izslēgšanas slēdzis .....	11
2.7	Monitora pievienošana .....	12
2.8	USB porti.....	13
2.9	Zemējuma stienis .....	14
2.10	Garuma skaitītāja atiestate .....	15
2.11	Kameras pārbaudes pieslēgums .....	16
2.12	Iekšējā diska un USB zibatmiņas formatēšana.....	17
2.13	Rūpnīcas iestatījumi.....	18
2.14	Sistēmas atjaunināšana .....	19
3	CAURUĻU APSKATES CILINDRS.....	21
3.1	Cauruļu apskates cilindra M18 SIC36 pārskats .....	21
3.2	Cauruļu apskates cilindra M18 SIC60 pārskats .....	22
3.3	Nešanas ierīces uzstādīšana .....	23
3.4	Nešanas ierīces noņemšana .....	24
3.5	Bezvadu monitora M18 SIM uzstādīšana .....	25
3.6	Bezvadu monitora M18 SIM iestatīšana .....	26
3.7	Cauruļu apskates cilindra lietošana .....	27
3.8	Kameras galvas modulis .....	28
3.9	Atsperelementu modulis .....	29
3.10	Kameras aizsargpārsegs .....	30
3.11	Kameras vadotnes .....	31
3.12	Serviss un atbalsts.....	32

## 1.1 Īpaši drošības noteikumi attiecībā uz cauruļu apskates sistēmām

Strādājot caurulēs, ievērojiet, lai tās nebūtu pievienotas spriegumam vai elektriski uzlādētas. Caurules nedrīkst saturēt šķidrumu. Kamera un ierīce nedrīkst nonākt kontaktā ar šķidrumu.

Kamera un kabelis nedrīkst nonākt saskarē ar eļļu, gāzi vai citiem rūsejošiem materiāliem.

Lai mazinātu eksplozijas, elektriskās strāvas trieciena un materiālo zaudējumu risku, vienmēr pirms visiem darbiem pārbaudiet darba zonu. Kabelis nedrīkst saskarties ar elektrokomponentiem, ķīmikālijām vai kustīgām detaļām.

Lai mazinātu ierīces bojājumu risku, nelietojiet pārmērīgu spēku un nepārlokiet kabeli. Pārbaudes kameru un kabeli neizmantojiet vietās, kur tie var nonākt saskarē ar kodīgām vai eļļainām vielām.

Neizmantojiet kabeli nosprostojumu vai šķēršļu likvidēšanai. Tas nav cauruļu tīrītājs!

Ja apskatāmajā notekcaurulē var atrasties ķīmikālijas, baktērijas vai citas toksiskas vielas un infekcijas ierosinātāji, tad zem ražotāja ieteiktajiem aizsargcimdkiem valkājiet arī lateksa vai gumijas cimdus, kā arī lietojiet aizsargbrilles, sejas sargu, aizsargājošu apģērbu un elpošanas masku. Cauruļvados var atrasties ķīmikālijas, baktērijas vai citas vielas, kas ir toksiskas vai ierosina infekciju un var radīt kairinājumu vai citus nopietnus ievainojumus.

Ievērojiet higiēnas prasības. Ierīces lietošanas laikā aizliegts ēst un smēķēt. Pēc saskares ar cauruļu apskates sistēmu vai tās lietošanas, izmantojot siltu ūdeni un ziepes, rūpīgi nomazgājiet rokas un pārējās ķermeņa daļas, kas nonāca saskarē ar cauruļu saturu. Tādējādi iespējams izvairīties no iespējamām veselības problēmām, kas var rasties, saskaroties ar toksiskām vai infekciju ierosinošām vielām.

Pirms izmantošanas pārbaudiet, vai kabelis nav nolietojies un tam nav radušies defekti. Pirms ierīces izmantošanas nomainiet nolietoto vai bojāto kabeli.

**PIESARDZĪBU!** Rīkojieties piesardzīgi, pārvietojot cauruļu apskates sistēmu ar nešanas ierīci uz muguras. Jūs varat zaudēt līdzsvaru.

Ierīci vienmēr lietojiet apdomīgi un uzmanīgi. Visas apdraudējuma situācijas nav iespējams paredzēt. Nelietojiet šo ierīci, ja neizprotat pievienoto pamācību un darbs šķiet grūti paveicams. Papildu informāciju vai informāciju par apmācību vaicājiet Milwaukee vai kvalificētam speciālistam.

Aizliegts noņemt etiķetes un tipa plāksnītes. Tās satur svarīgu informāciju. Ja šīs norādes vairs nav salasāmas vai tās ir pazudušas, vērsieties savā MILWAUKEE klientu atbalsta dienestā, lai bez maksas saņemtu jaunas.

Daži slīpēšanas, zāģēšanas un urbja mašīnu vai citu būvniecības laikā radītu darbību radītie putekļi var saturēt ķīmiskas vielas, kas izraisa vēzi, rada dzemdību traumas vai ietekmē auglību. Šāda veida ķīmisko vielu piemēri ir:

- svins no svina bāzes krāsām,
- kristālveida silīcija dioksīds no ķieģeļiem, cementa vai citiem būvniecības izstrādājumiem,
- arsēns vai hroms no ķīmiski apstrādātās būvniecības koksnēs.

Ekspozīcijas risks ir atkarīgs no tā, cik bieži veicat šāda veida darbības. Lai pēc iespējas samazinātu ekspozīcijas risku, vienmēr strādājiet labi vēdināmās telpās. Nēsājiet oficiāli apstiprinātu aizsargaprīkojumu, piemēram, putekļu maskas ar mikrodaliņu filtru.

## 1.2 Citas drošības un darba instrukcijas

Nemainiet akumulatoru, ja instrumenta virsma ir mitra.

Izmantotos akumulatorus nedrīkst sadedzināt vai utilizēt ar mājsaimniecības atkritumiem. Firma Milwaukee piedāvā iespēju vecos akumulatorus savākt apkārtējo vidi saudzējošā veidā.

Akumulatorus nav ieteicams glabāt kopā ar metāla priekšmetiem (iespējams īsslēgums).

M18 sistēmas akumulatorus lādējiet tikai ar M18 sistēmas lādētājiem. Nedrīkst lādēt citus akumulatorus no citām sistēmām.

Pie ārkārtas slodzes un ārkārtas temperatūrām no bojātā akumulatora var iztecēt akumulatora šķidrums. Ja nonākat saskarē ar akumulatora šķidrumu, saskares vieta nekavējoties jānomazgā ar ūdeni un ziepēm. Ja šķidrums nonācis acīs, acis vismaz 10 min. skalot un nekavējoties konsultēties ar ārstu.

**Brīdinājums!** Lai novērstu īssavienojuma izraisītu aizdegšanās, savainojumu vai produkta bojājuma risku, neiegremdējiet ierīci, akumulatoru vai uzlādes ierīci šķidrumsos un rūpējieties par to, lai ierīcēs un akumulatoros neiekļūtu šķidrums. Koroziju izraisoši vai vadītspējīgi šķidrums, piemēram, sālsūdens, noteiktas ķīmikālijas, balinātāji vai produkti, kas satur balinātājus, var izraisīt īssavienojumu.

Šo ierīci nedrīkst lietot un tīrīt personas ar samazinātām fiziskām, sensorām vai garīgām spējām vai kam ir nepietiekama pieredze un zināšanas, izņemot, ja drošu apiešanos ar ierīci ir apmācījuši par viņu drošību juridiski atbildīga persona. Šīs personas ir jāuzrauga, kad tās rīkojas ar ierīci. Ar šo ierīci nedrīkst rīkoties bērni. Tādēļ laikā, kad ierīce netiek izmantota, tā jāglabā drošā, bērniem nepieejamā vietā.

### 1.3 Tehniskie dati

	M18 SIC36	M18 SIC60	M18 SISH
Kameras kabeļa garums .....	36 m.....	60 m	
Kameras galva .....	ø 25 mm.....	ø 34 mm	
Maks. palielinājums.....	4x .....	4x	
Akumulatora spriegums .....			18 V
Svars atbilstoši EPTA -Procedure 01/2014 (4,0 Ah / 12 Ah) ...	12,4 kg.....	20,46 kg.....	5,37 kg
Bluetooth frekvenču josla (frekvenču joslas).....			2402-2480 MHz
Augstfrekvences.....			1,8 dBm
Bluetooth versija.....			4.0 BT signāla režīms
leteicamā vides temperatūra darba laikā .....	-18 .....	+50 °C	
leteicamie akumulatoru tipi .....		M18B.....; M18HB.....	
leteicamās uzlādes ierīces.....	M12-18C, M12-18AC, M12-18FC, M1418C6		

### 1.4 Noteikumiem atbilstošs izmantojums

Cauruļu apskates sistēma ir paredzēta cauruļvadu apskatei un inspekcijai. Sistēmu veido trīs moduļi:

#### - Cauruļu apskates cilindrs M18 SIC36 vai M18 SIC60

Cauruļu apskates cilindrs ir paredzēts bīdāmā kabeļa uztīšanai, notīšanai un vadībai. Pieejami divi cilindru izmēri: M18SIC36 — caurulēm ar diametru no 50 mm līdz 150 mm un lielākais modelis M18SIC60 — caurulēm ar diametru no 75 mm līdz 250 mm.

Abi cilindri ir aprīkoti ar bīdāmo kabeli un atsperes elementu moduli, kam ir piemontēta pašlīmeņojoša kameras galva. Bezvadu monitoru M18 SIM un Smart Hub M18 SISH var lietot ar abiem cilindriem.

Abus cilindrus var lietot gan vertikāli, gan arī horizontāli. M18 SIC36 aizmugurē var piestiprināt nešanas ierīci, kas ļauj ierīci nest uz muguras.

#### - Smart Hub M18 SISH

Smart Hub M18 SISH ir paredzēts cauruļu apskates sistēmas vadībai.

Bezvadu monitors M18 SIM vai planšetdators ar uzinstalētu Milwaukee® cauruļu apskates lietotni tiek savienots ar Smart Hub M18 SISH, lai veiktu video ierakstu un uzņemtu fotoattēlus. Video un arī attēli tiek saglabāti Smart Hub M18 SISH iekšējā diskā.

#### - Bezvadu monitors M18 SIM (nav iekļauts piegādes komplektā; var iegādāties atsevišķi)

Bezvadu monitors M18 SIM nodrošina kameras galvas uzņemto video apskati, video un fotogrāfiju saglabāšanu un attēlošanu. Videoieraksta laikā var ierakstīt arī iekšējā mikrofonā teiktos komentārus. Funkcija "Marķējumi" ļauj pievienot arī komentāru tekstus. Komentāru teksti tiek iegulti ierakstītajā video un fotogrāfijās tiek attēloti kopā ar datumu, laiku un attīto kabeļa garumu.

Šo ierīci drīkst izmantot tikai saskaņā ar minētajiem lietošanas noteikumiem.

### 1.5 Ar Eiropas instalācijām bezvadu frekvenču prasības

Norāde: Šī ierīce ir pārbaudīta un saskaņā ar EN 300 440 V2.1.1 atbilst 3. klases uztvērēja robežvērtībām.

Minētajām robežvērtībām jānodrošina piemērota aizsardzība pret tehniska rakstura bezvadu savienojumu traucējumiem dzīvojamās ēkās.

Šī ierīce reaģē uz citām ierīcēm, kas raida bezvadu signālu frekvences intervālā no 2402 līdz 2480 MHz. Tas var radīt ar tālvadības lietošanu saistītus traucējumus. Iespējams, ka noteiktos apstākļos var rasties traucējumi. Lai pārlicinātos, vai citu ierīču raidītie bezvadu signāli rada šīs ierīces traucējumus, īslaicīgi izslēdziet pārējās ierīces un vērojiet, vai traucējumi pazūd. Traucējumus var novērst, veicot tālāk norādītās darbības.

- Izslēdziet traucējuma avotu.
- Palieliniet attālumu no traucējuma avota.
- Konsultējieties ar tehnikas pārdevēju vai kvalificētu radioierīču tehniķi.

### 1.6 EK atbilstības deklarācija

Ar šo Techtronic Industries GmbH deklarē, ka radioiekārta M18SISH atbilst Direktīvai 2014/53/ES. Pilns ES atbilstības deklarācijas teksts ir pieejams šādā interneta vietnē: <http://services.milwaukeetool.eu>



## 1.7 ONE-KEY™

Lai vairāk uzzinātu par šīs ierīces ONE-KEY funkcionalitāti, izlasiet pievienoto ātrās palaišanas instrukciju vai apmeklējiet mūsu interneta vietni [www.milwaukeeetool.com/one-key](http://www.milwaukeeetool.com/one-key). ONE-KEY lietotni savā viedtālrunī varat lejupielādēt no App Store vai Google Play.

Ja rodas elektrostatiskā izlāde, Bluetooth savienojums tiek pārtraukts. Šādā gadījumā savienojumu atjaunojiet manuāli.

Ierīce atbilst standartu EN 55014-2:2015/EN 301489-1 V2.2.3/EN 301489-17 V3.1.1 minimālajām prasībām.

### ONE-KEY™ rādījums

Lampiņa spīd zilā krāsā: bezvadu savienojums ir aktīvs, un to var iestatīt ar ONE-KEY™ lietotni.

Lampiņa mirgo zilā krāsā: ierīce sazinās ar ONE-KEY™ lietotni.

Lampiņa mirgo sarkanā krāsā: ierīce ir bloķēta ar drošību saistītu iemeslu dēļ, un lietotājs to var atbloķēt ar ONE-KEY™ lietotni.

## 1.8 AKUMULATORI

Akumulatori, kas ilgāku laiku nav izmantoti, pirms lietošanas jāuzlādē.

Pie temperatūras, kas pārsniedz 50 °C, akumulatoru darbība tiek negatīvi ietekmēta. Vajag izvairīties no ilgākas saules un karstuma iedarbības.

Lādētāja un akumulatora pievienojuma kontakti jāuztur tīri.

Lai akumulatora darba ilgums būtu optimāls, pēc iekārtas izmantošanas tas jāuzlādē.

Lai akumulatori kalpotu pēc iespējas ilgāku laiku, tos pēc uzlādes ieteicams atvienot no lādētājierīces.

Akumulatora uzglabāšana ilgāk nekā 30 dienas:

uzglabāt akumulatoru pie temperatūras zem 27 °C un sausā vietā.

Uzglabāt akumulatoru uzlādes stāvoklī aptuveni pie 30%–50%.

Uzlādēt akumulatoru ik pēc 6 mēnešiem.

## 1.9 Litija jonu akumulatoru transportēšana

Uz litija jonu akumulatoriem attiecas noteikumi par bīstamo kravu pārvadāšanu.

Šo akumulatoru transportēšana jāveic saskaņā ar vietējiem, valsts un starptautiskajiem normatīvajiem aktiem un noteikumiem.

- Patērētāja darbības, pārvadājot šos akumulatorus pa autoceļiem, nav reglamentētas.
- Uz litija jonu akumulatoru komerciālu transportēšanu, ko veic ekspedīcijas uzņēmums, attiecas bīstamo kravu pārvadāšanas noteikumi. Sagatavošanas darbus un transportēšanu drīkst veikt tikai atbilstoši apmācīts personāls. Viss process jāveda profesionāli.

Veicot akumulatoru transportēšanu, jāievēro tālāk norādītais.

- Pārliedzieties, ka kontakti ir aizsargāti un izolēti, lai izvairītos no īssavienojumiem.
- Pārliedzieties, ka akumulators iepakojumā nevar paslīdēt.
- Bojātus vai tekošus akumulatorus nedrīkst transportēt.

Plašāku informāciju jūs varat saņemt no ekspedīcijas uzņēmuma.

## 1.10 Apkope

Izmantojiet tikai uzņēmuma Milwaukee piederumus un rezerves daļas. Lieciet nomainīt detaļas, kuru nomaīņa nav aprakstīta, kādā no uzņēmuma Milwaukee klientu apkalpošanas servisiem. (Skat. brošūru "Garantija/klientu apkalpošanas serviss".)

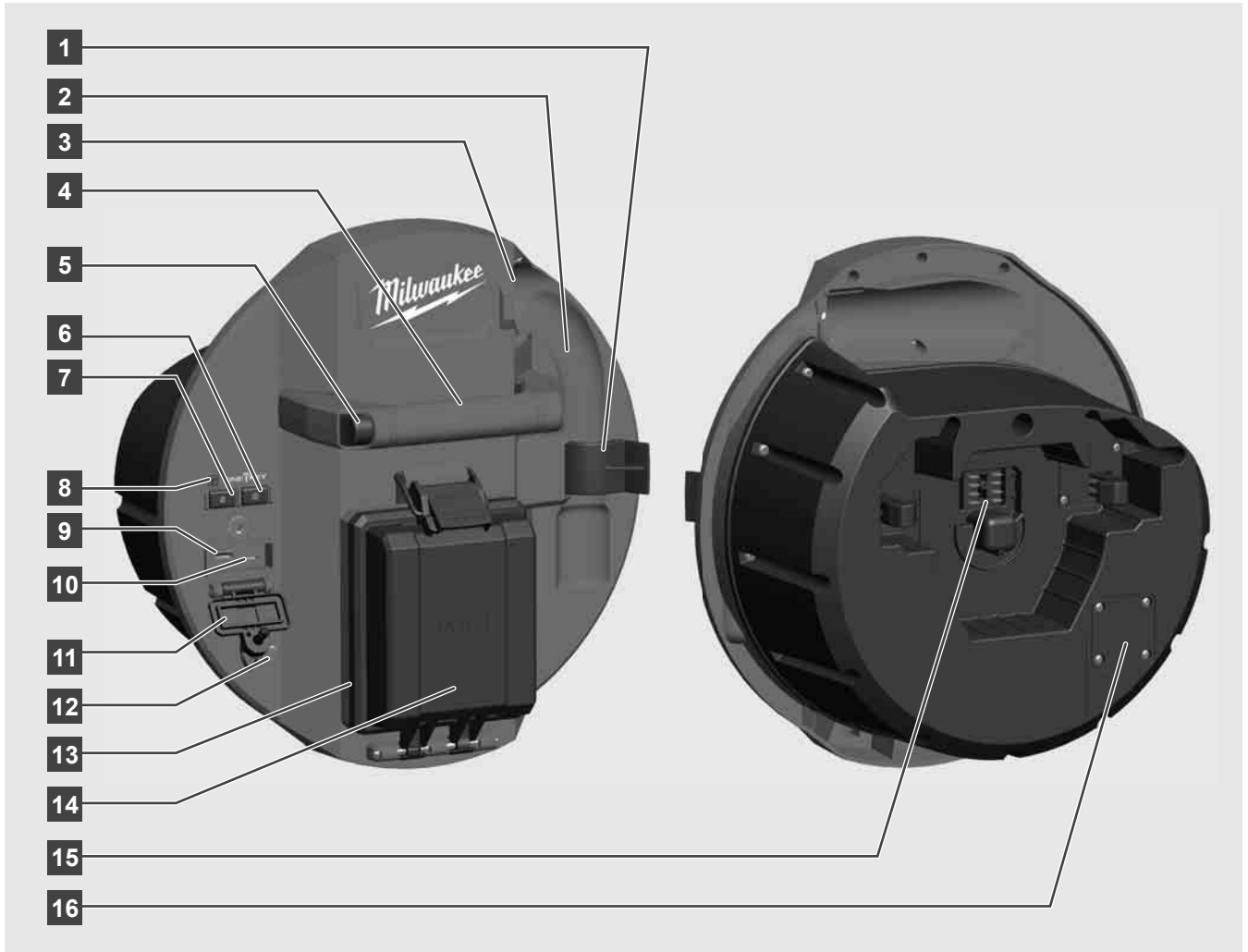
Pēc pieprasījuma jūsu klientu apkalpošanas centrā vai pie Technotronic Industries GmbH, Max-Eyth-Straße 10, 71364 Winnenden, Vācijā, ir iespējams saņemt ierīces montāžas rasējumu, iepriekš norādot ierīces modeli un sērijas numuru, kas atrodas uz datu plāksnītes un sastāv no sešiem simboliem.

## 1.11 Simboli

	UZMANĪBU! BĪSTAMI! DRAUDI!
	Pirms ierīcei veicat jebkāda veida apkopes darbus, ir jāizņem ārā akumulators.
	Pirms sākat lietot instrumentu, lūdzu, izlasiet lietošanas pamācību.
	Jāvalkā aizsargcimdi!
	Strādājot ar ierīci, vienmēr jānēsā aizsargbrilles.
	Elektriskus aparātus, baterijas/akumulatorus nedrīkst utilizēt kopā ar mājsaimniecības atkritumiem. Elektriski aparāti un akumulatori ir jāsavāc atsevišķi un jānodod atkritumu pārstrādes uzņēmumā videi saudzīgai utilizācijai. Jautājiet vietējā iestādē vai savam specializētajam tirgotājam, kur atrodas atkritumu pārstrādes uzņēmumi vai savākšanas punkti.
	V Spriegums
	Līdzstrāva
	Eiropas atbilstības zīme
	Apvienotās Karalistes atbilstības zīme
	Ukrainas atbilstības zīme
	Eirāzijas atbilstības zīme

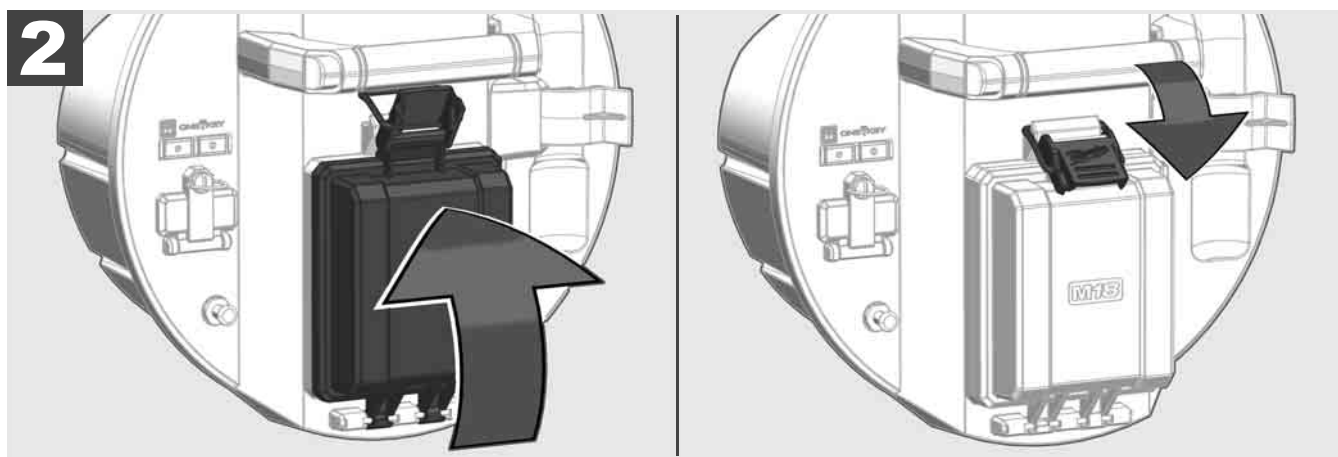
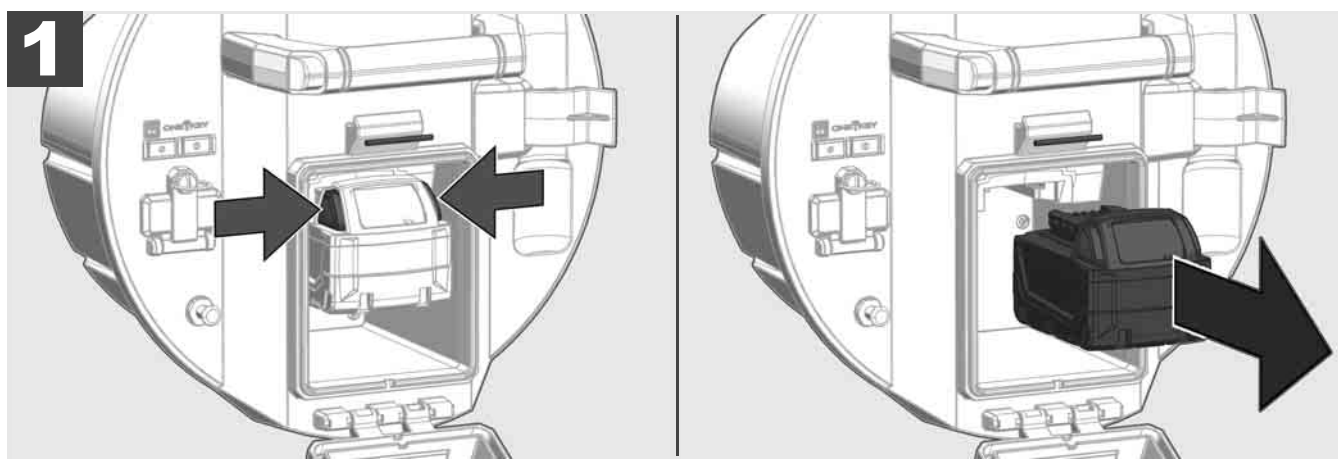
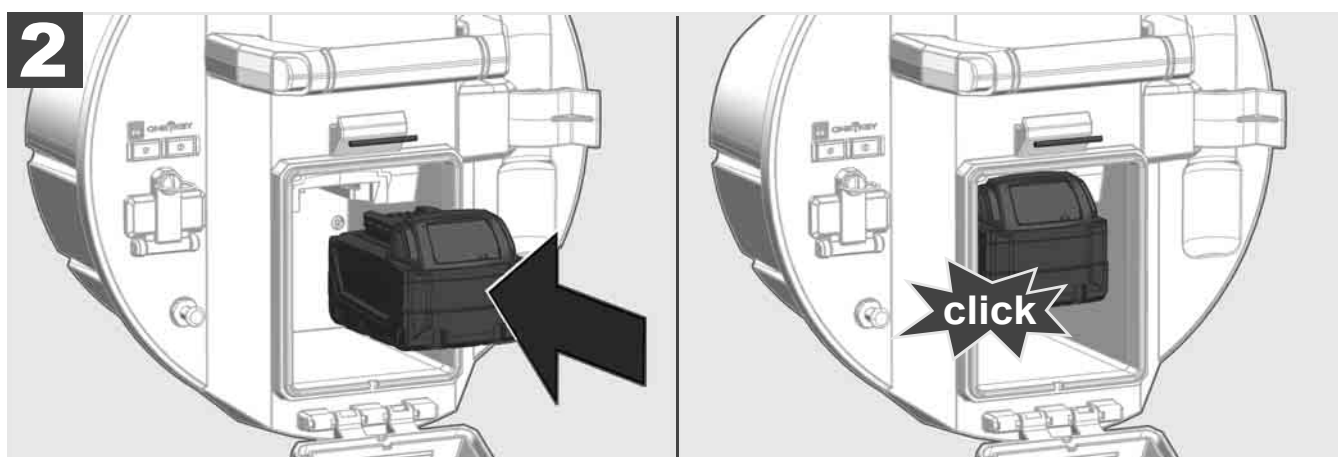
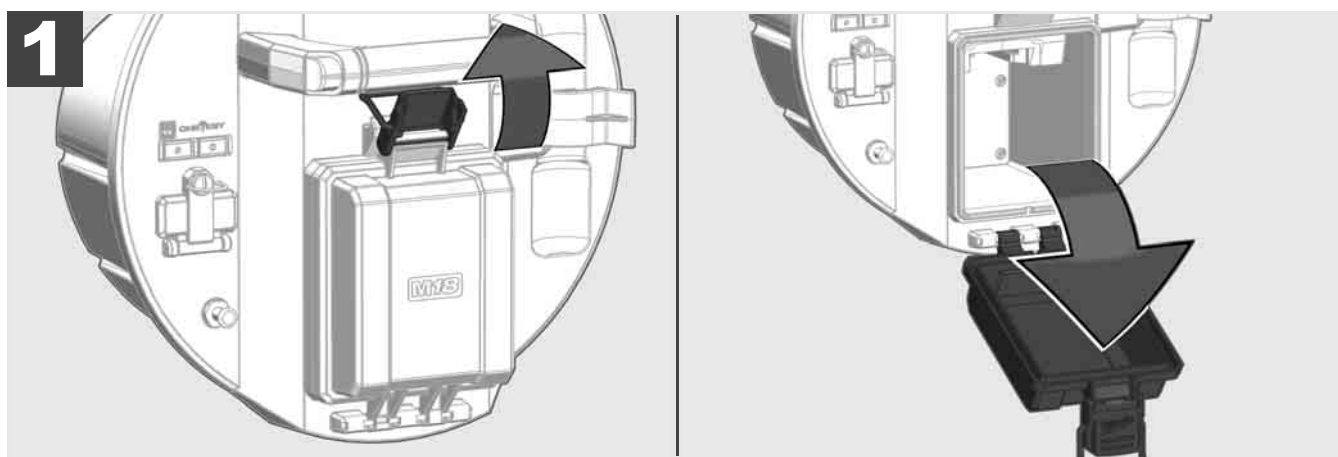
## 2 SMART HUB M18 SISH

### 2.1 Smart Hub M18 SISH pārskats



- 1 Atsperu fiksācijas klipsis — atsperu un kameras nofiksēšanai transportēšanas laikā.
- 2 Atsperu stiprinājums — transportēšanas un uzglabāšanas laikā nofiksē atsperes un kameru.
- 3 Kabeļa vadotne — pirms Smart Hub nofiksēšanas ievietojiet pa vadotni atsperes un bīdāmo kabeli.
- 4 Rokturis
- 5 Atbloķēšanas taustiņš — nospiediet šo taustiņu, lai atbrīvotu Smart Hub no cauruļu apskates cilindra.
- 6 Galvenais slēdzis — vienreiz īsi nospiediet, lai ierīci ieslēgtu; turiet nospiestu, lai ierīci izslēgtu.
- 7 Kabeļa garuma atiestates taustiņš — atiestata attītā kabeļa garuma vērtību kā nulli.
- 8 ONE-KEY LED rādījums
- 9 USB-A ports — tiešai video un fotogrāfiju saglabāšanai, kā arī aparātprogrammatūras atjaunināšanai.
- 10 USB C ports — papildaprīkojuma barošanas un datu pieslēgums bezvadu monitora M18 SIM savienojumam ar Smart Hub.
- 11 USB pieslēgvietas pārsegs — ūdensdrošs pārsegs, kas aizsargā USB pieslēgvietas no putekļiem un mitruma.
- 12 Zemējuma stienis — Smart Hub iezemēšanai, veicot sekošanu bīdāmajam kabelim.
- 13 Akumulatora pārsegs — ūdensdrošs pārsegs, kas aizsargā akumulatoru no putekļiem un mitruma.
- 14 Akumulatora nodalījums — paredzēts M18™ akumulatoram
- 15 Smart Hub un cauruļu apskates cilindra savienojuma pieslēgums.
- 16 Kameras pārbaudes pieslēgums — traucējummeklēšanai, ja rodas problēmas ar kameras galvu

## 2.2 levietojiet un izņemiet akumulatoru



## 2.3 Pārbaudiet akumulatora uzlādi



78-100 %



55-77 %



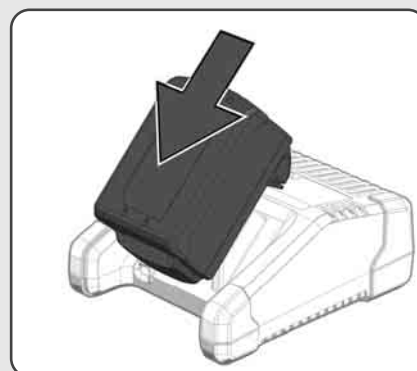
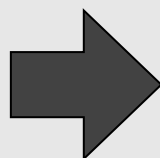
33-54 %

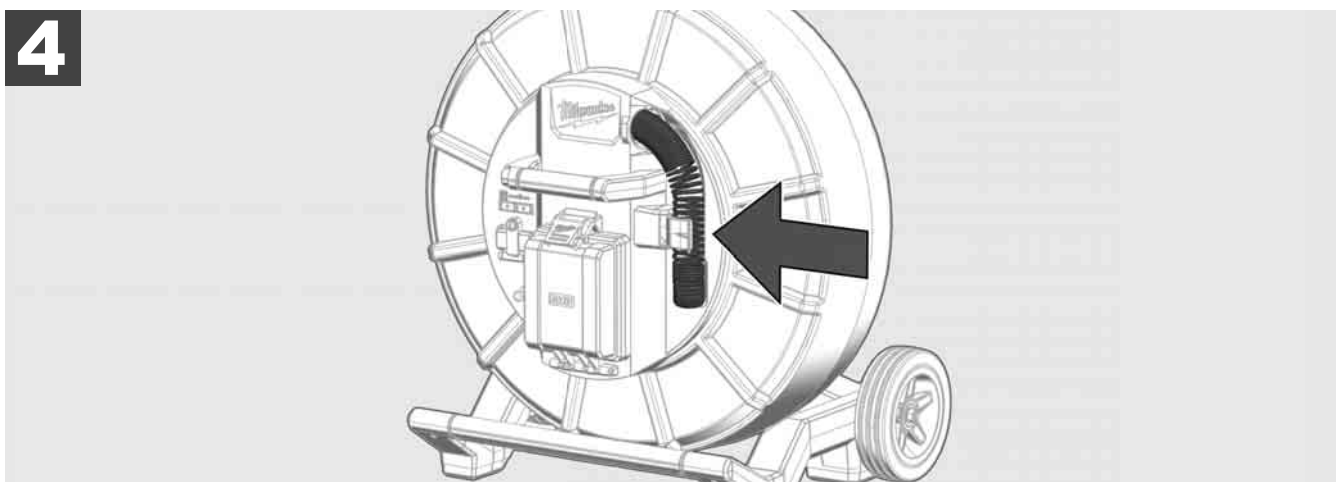
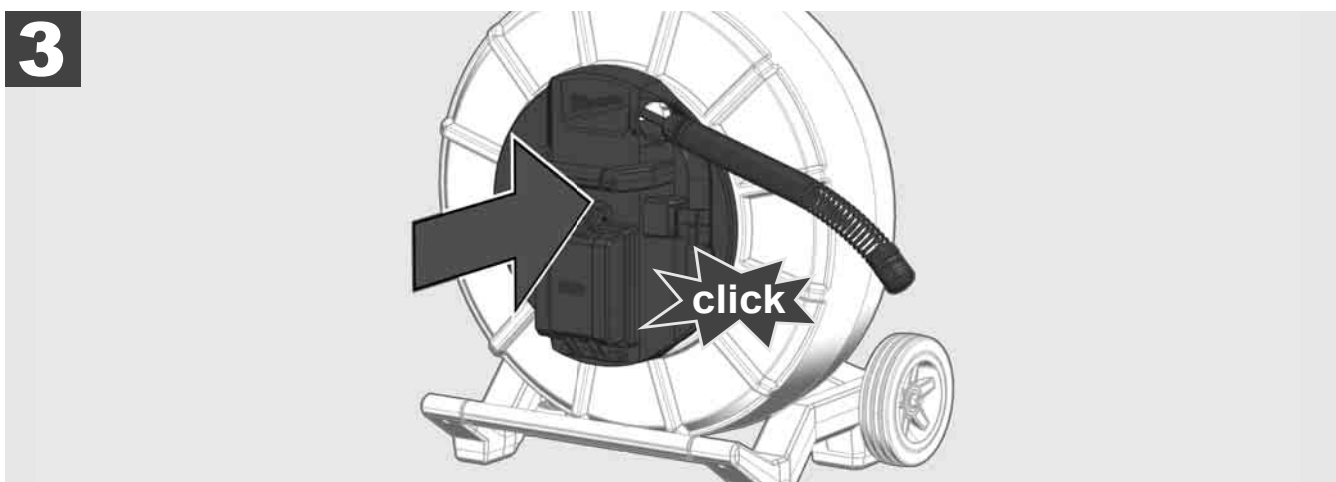
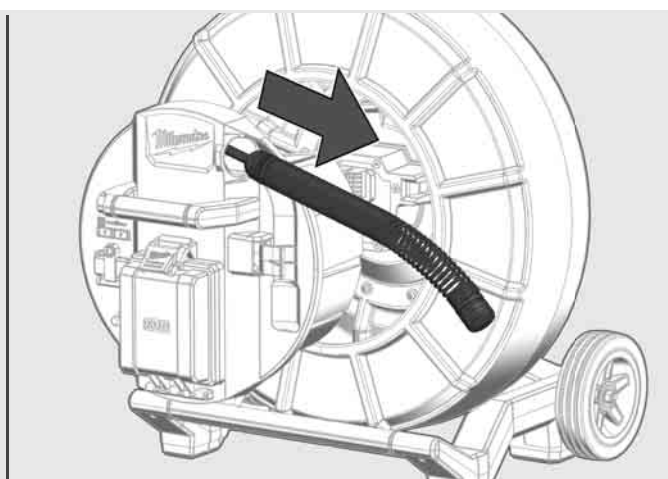
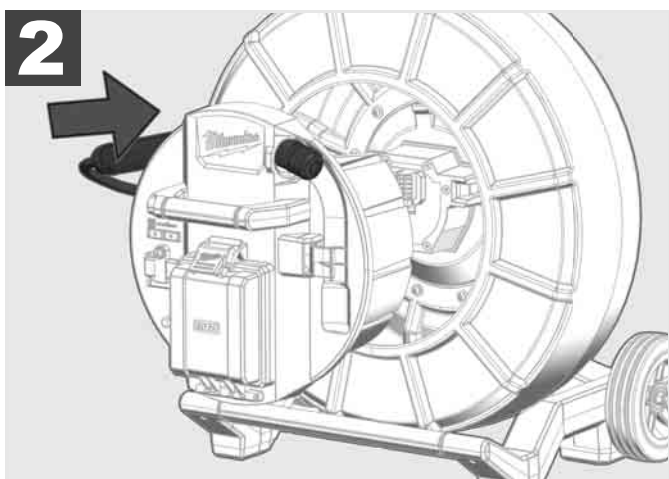
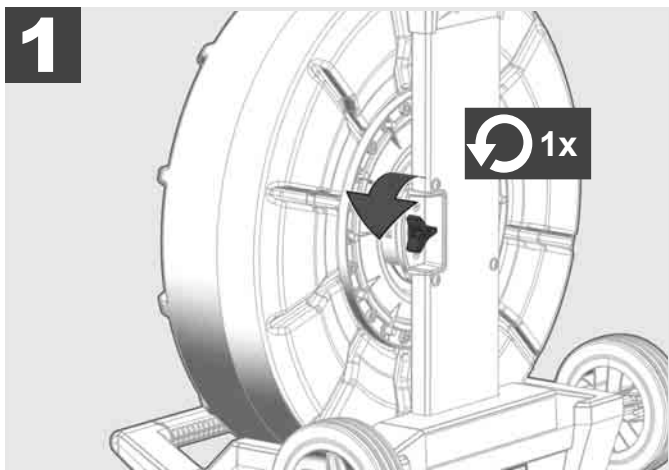


10-32 %



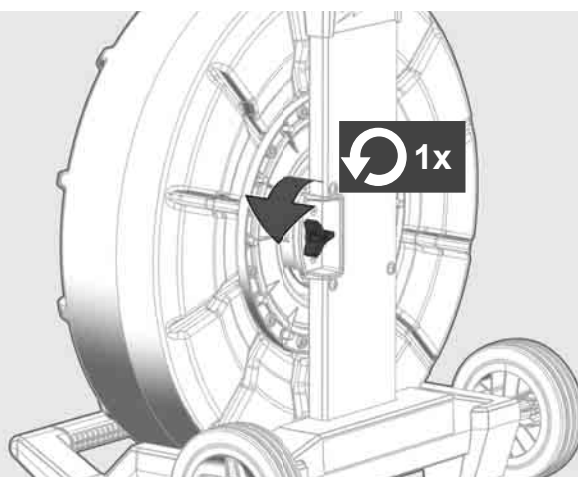
< 10 %



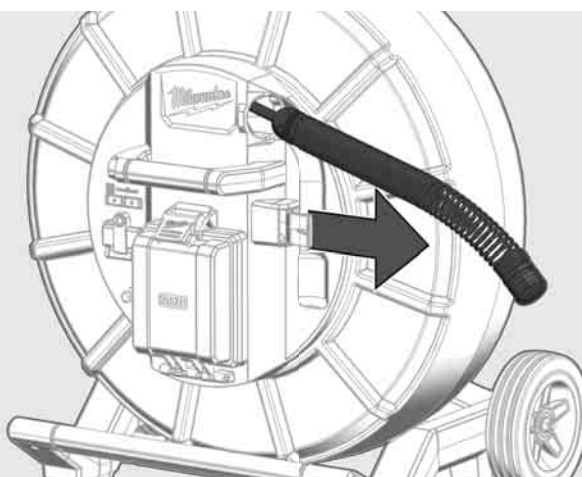




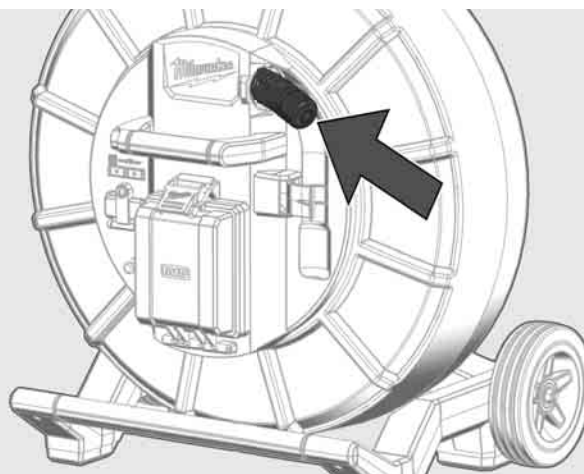
**1**



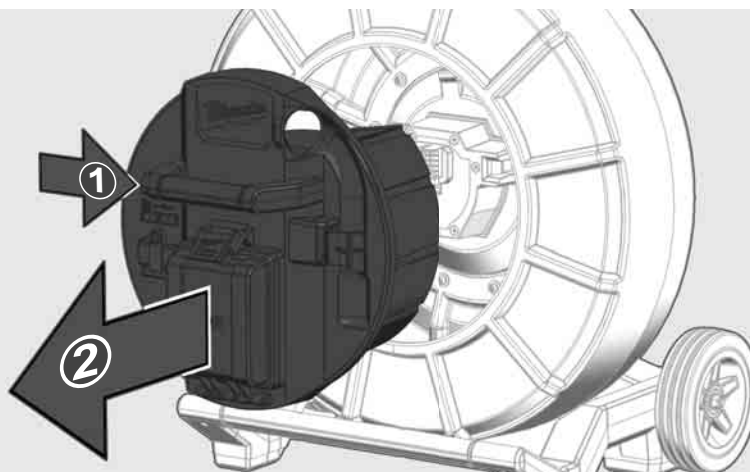
**2**



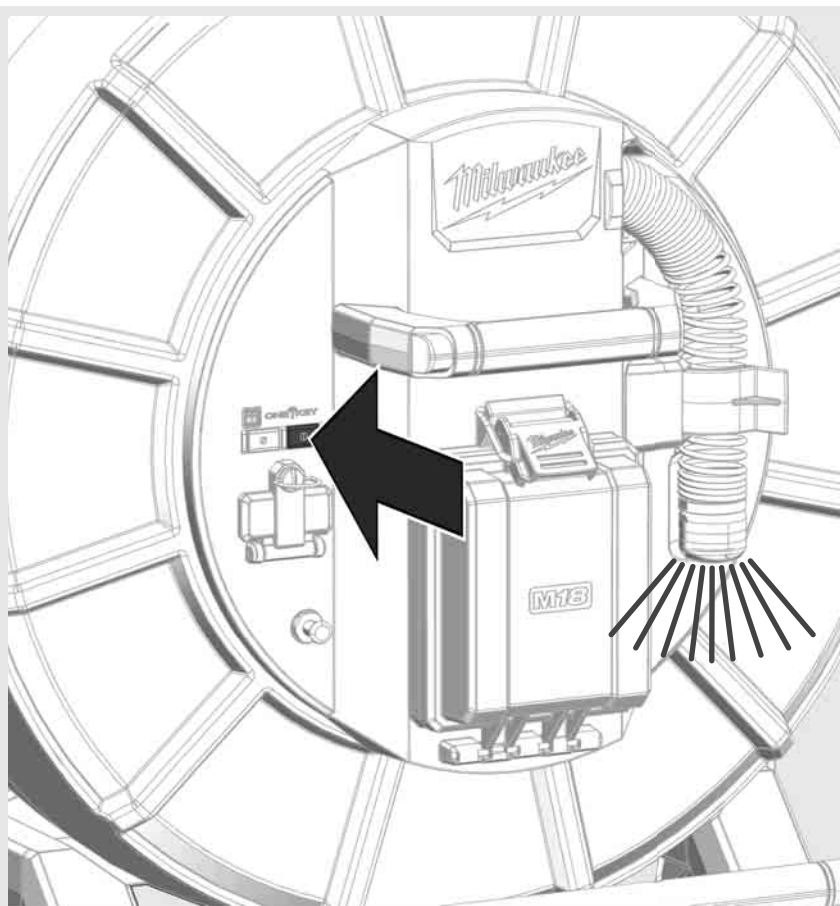
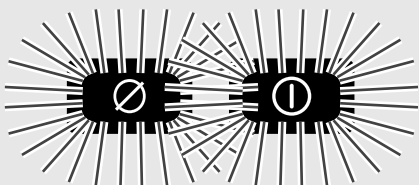
**3**



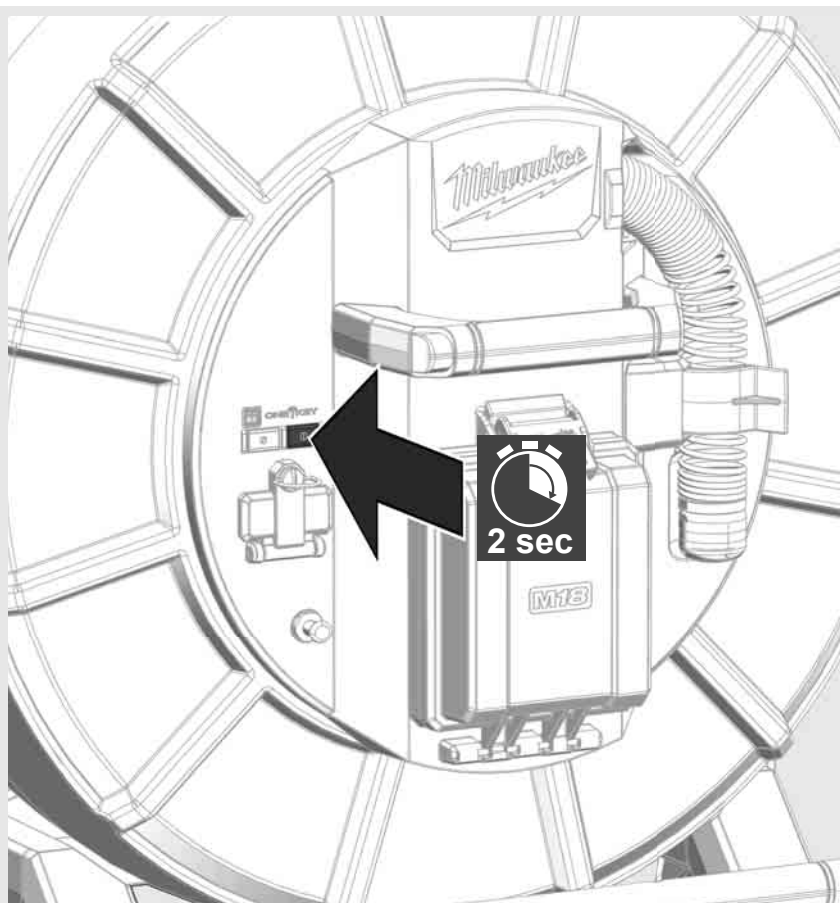
**4**



**ON**



**OFF**





## 2.7 Monitors pievienošana

Lai mainītu CAURUĻU APSKATES SISTĒMAS iestatījumus, vadītu tās funkcijas un attēlotu ar kameru uzņemtos attēlus un video, ir nepieciešama ārēja rādītuma ierīce.

Ārējā rādītuma ierīce nav iekļauta CAURUĻU APSKATES SISTĒMAS piegādes komplektā, un tā jāiegādājas atsevišķi.

Pieejamas šādas papildiespējas:

- MILWAUKEE BEZVADU MONITORS M18 SIM

- Planšetdators vai viedtālrunis ar MILWAUKEE CAURUĻU APSKATES SISTĒMAS LIETOTNI

BEZVADU MONITORS CAURUĻU APSKATES SISTĒMAI tiek pievienots, izmantojot WLAN vai USB C portu, un ir uzreiz gatavs darbam. Lietojot planšetdatoru vai viedtālruni, vispirms attiecīgajā ierīcē uzinstalējiet MILWAUKEE CAURUĻU APSKATES SISTĒMAS LIETOTNI.

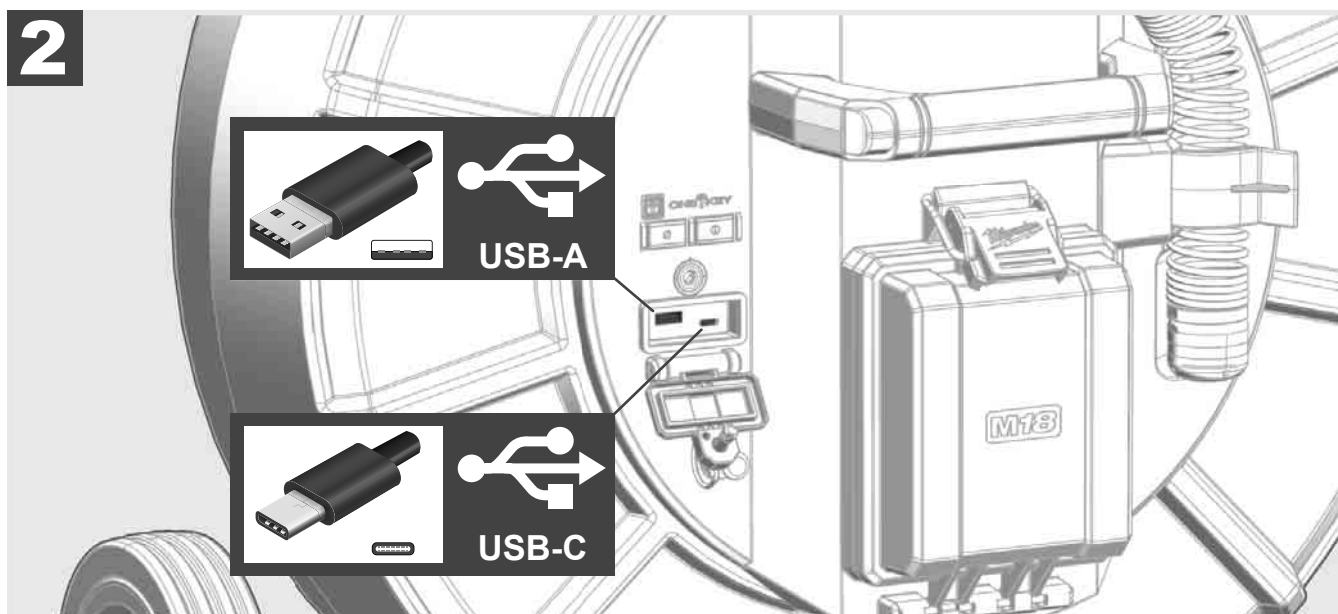
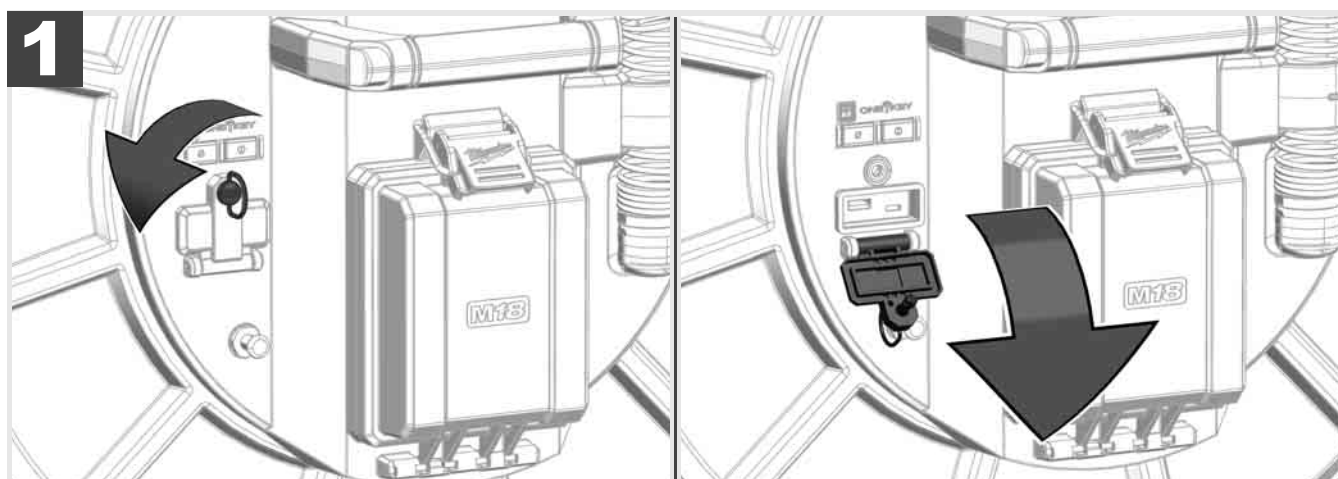
### **PIRMĀ LIETOŠANA AR BEZVADU MONITORU M18 SIM:**

1. ieslēdziet SMART HUB un BEZVADU MONITORU.
2. BEZVADU MONITORS 25 sekunžu laikā automātiski savienojas ar SMART HUB.

\* Lai nodrošinātu kabeļa savienojumu, pievienojiet monitoru Smart Hub ar USB C kabeli.

### **PIRMĀ LIETOŠANA AR VIEDTĀLRUNI VAI PLANŠETDATORU:**

1. lejupielādējiet un uzinstalējiet MILWAUKEE CAURUĻU APSKATES SISTĒMAS LIETOTNI.
2. ieslēdziet SMART HUB un rādītuma ierīci.
3. Izvēlieties opciju Iestatījumi > WLAN.
4. Atlasiet opciju MTCAM\_[LAST 9 DIGITS OF HUB SERIAL #].
5. Ievadiet paroli: 29702000
6. Aktivizējiet MILWAUKEE CAURUĻU APSKATES SISTĒMAS LIETOTNI.

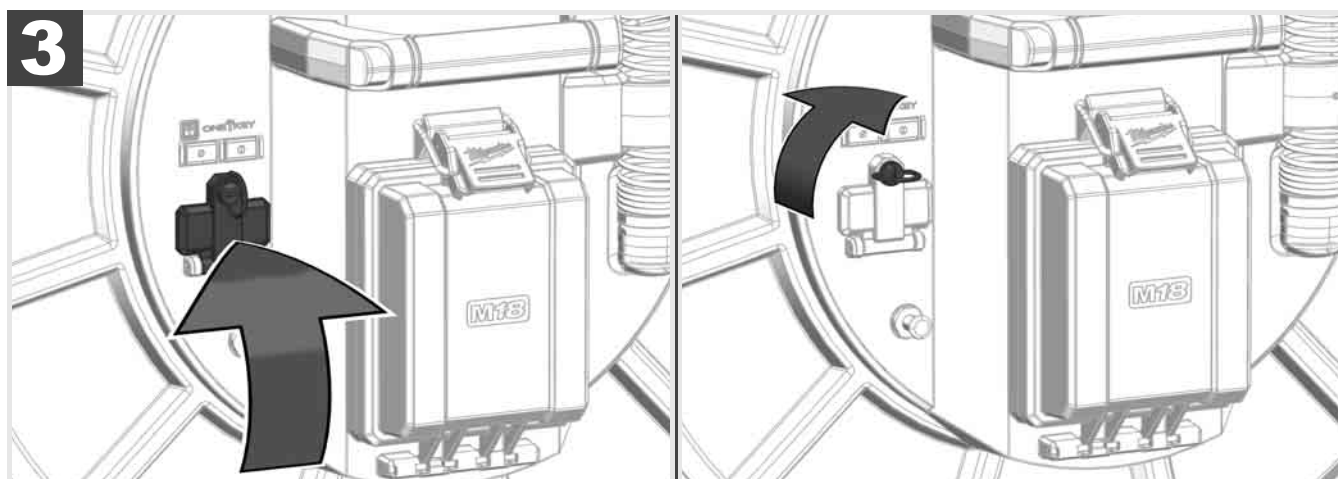


### USB A

- Standarta lietošanas ports. Nodrošina tiešu video vai attēlu atveidi vai to pārnesi no Smart Hub iekšējā diska.
- Nodrošina Smart Hub aparātprogrammatūras atjaunināšanu.

### USB C

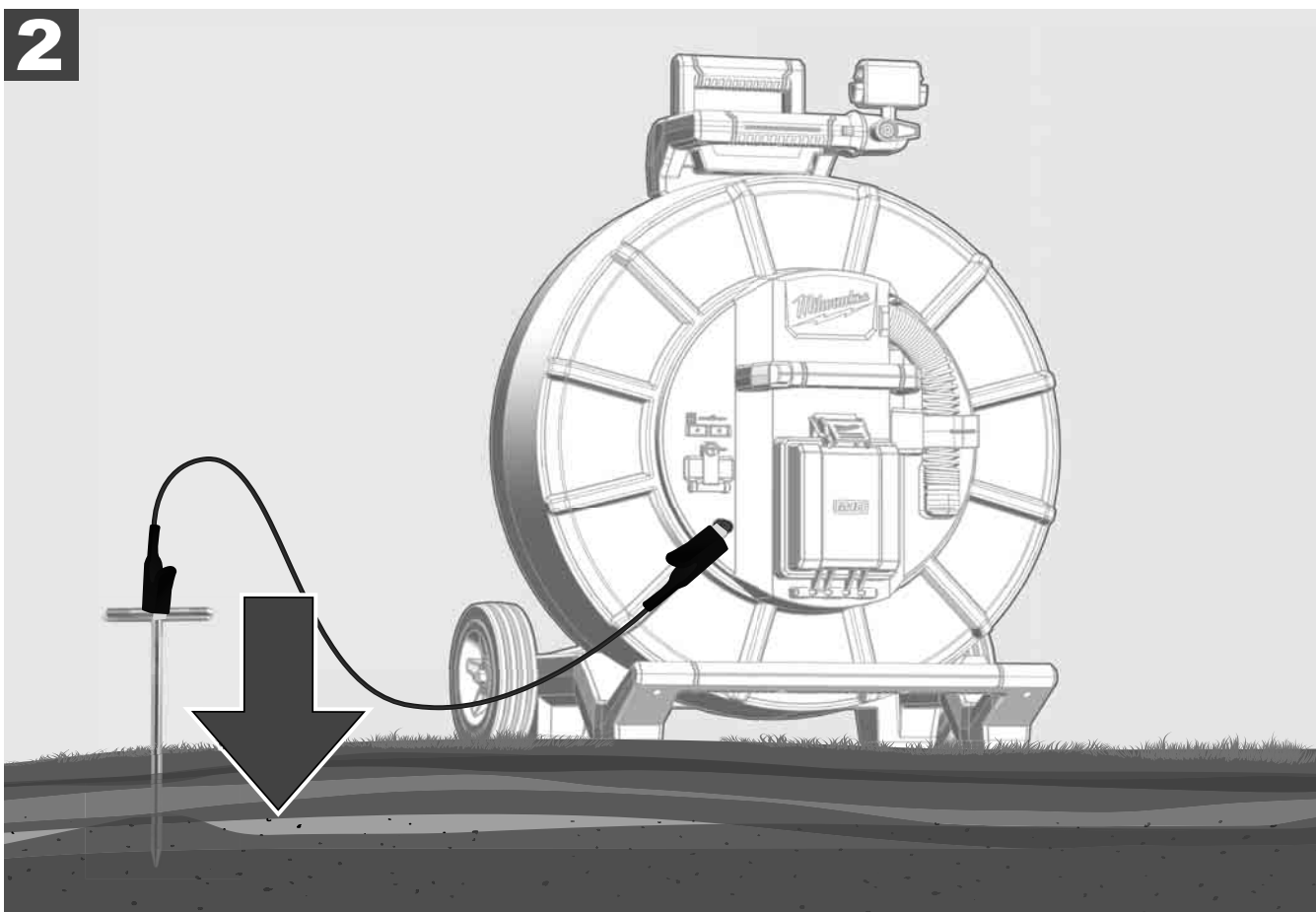
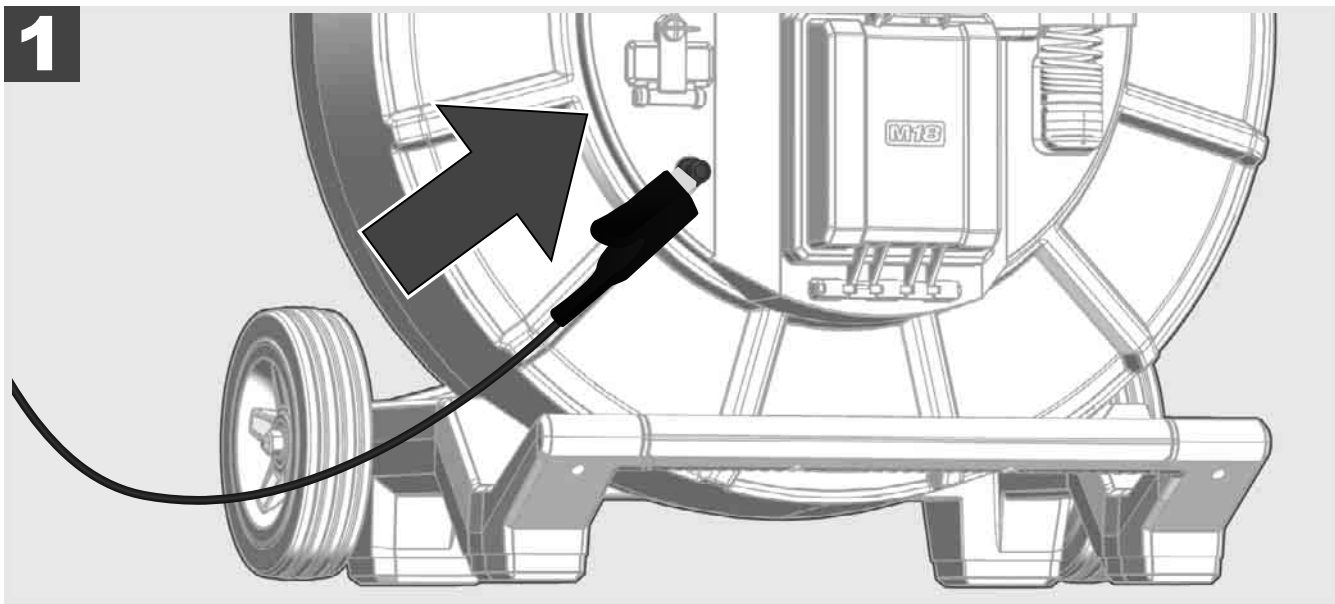
- Nodrošina savienojum starp bezvadu monitoru M18 SIM un Smart Hub bez WLAN savienojuma. Smart Hub barošana ar bezvadu monitoru M18 SIM vai otrādi, ja akumulators nav uzlādēts.



## 2.9 Zemējuma stienis



Zemējuma stienis vienmēr jālieto gadījumā, ja bīdāmajam kabelim sekojat ar funkciju “Līnijas trajektorija”. Smart Hub jāiezemē, lai noslēgtu strāvas kontūru un nodrošinātu labu atrašanās vietas signāla pārraidi. Smart Hub iezemēšanai izmantojiet piegādes komplektā iekļauto zemējuma kabeli un zemējuma stieni.

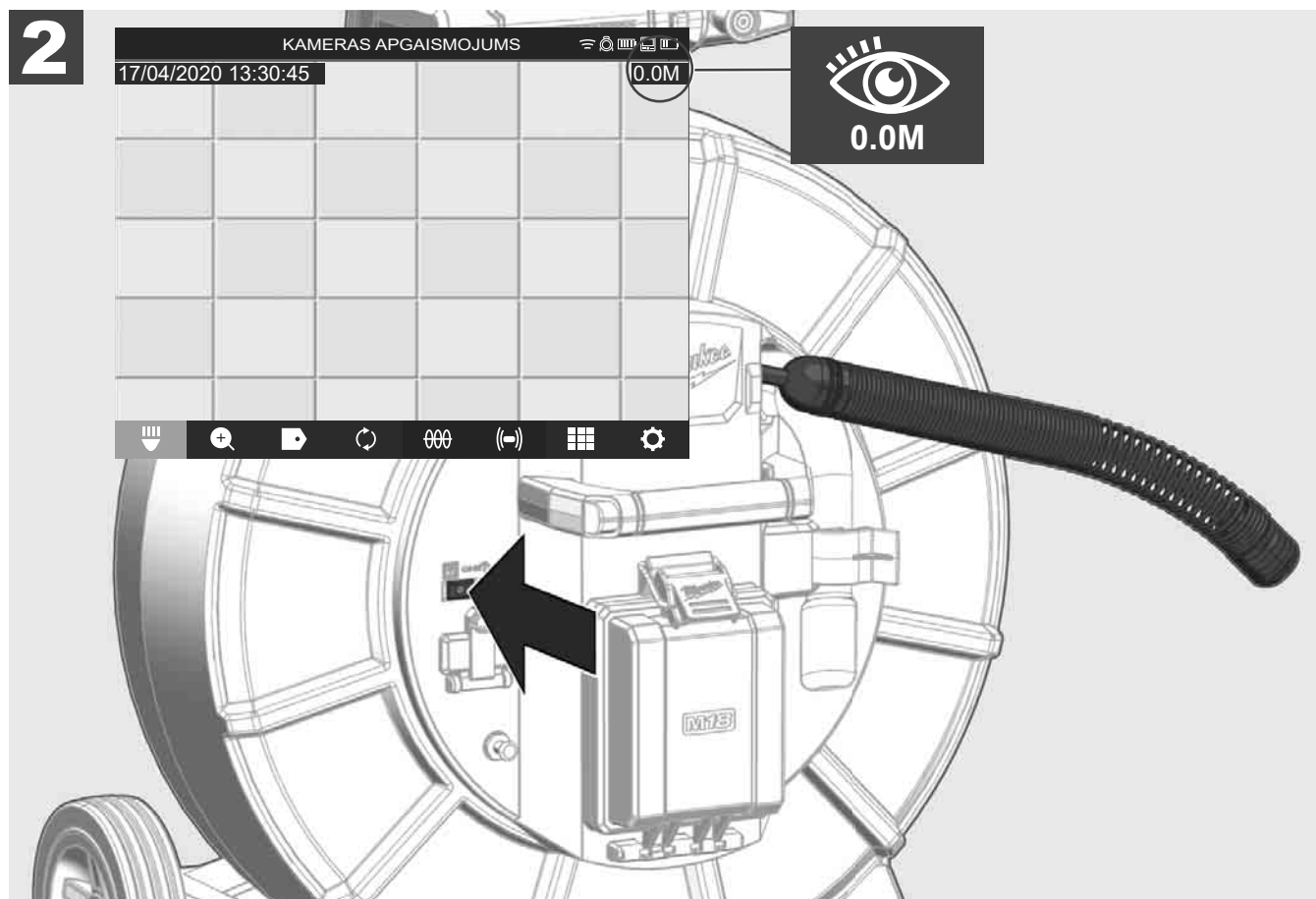
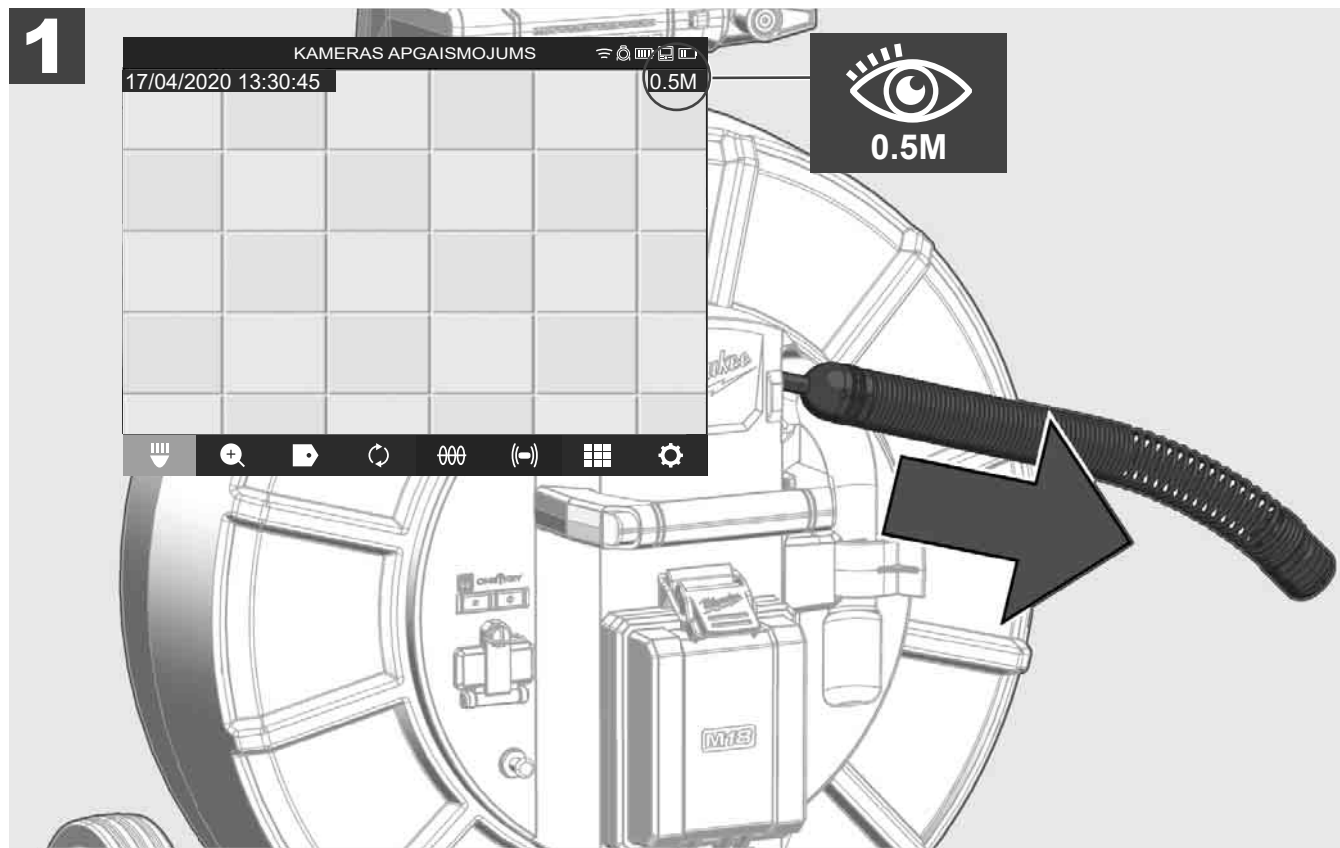


## 2.10 Garuma skaitītāja atiestate



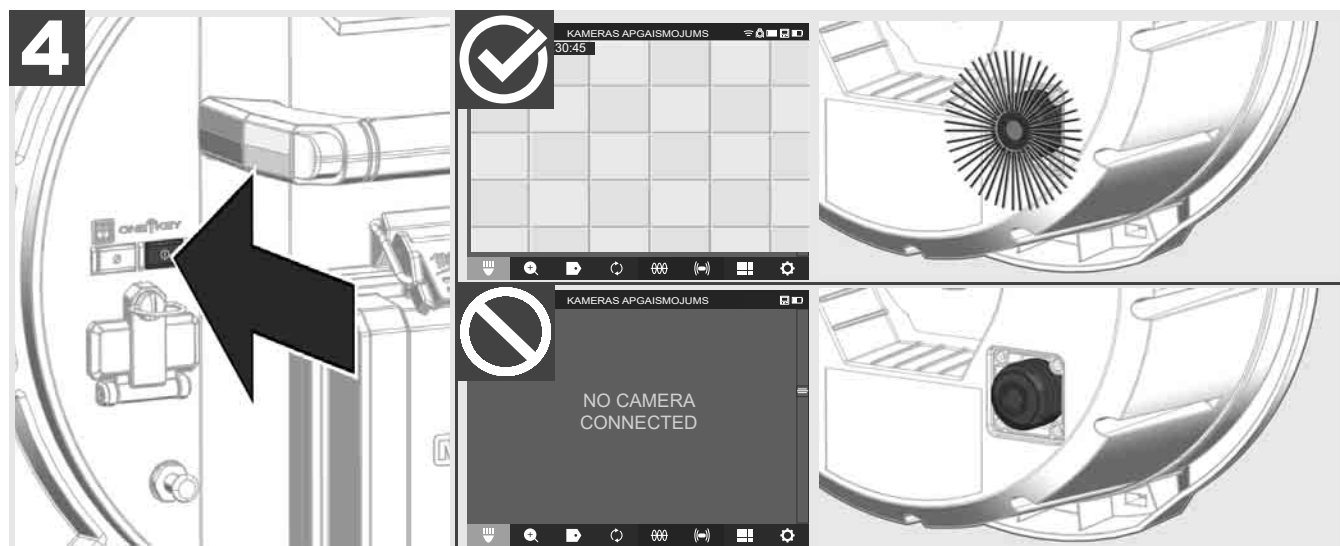
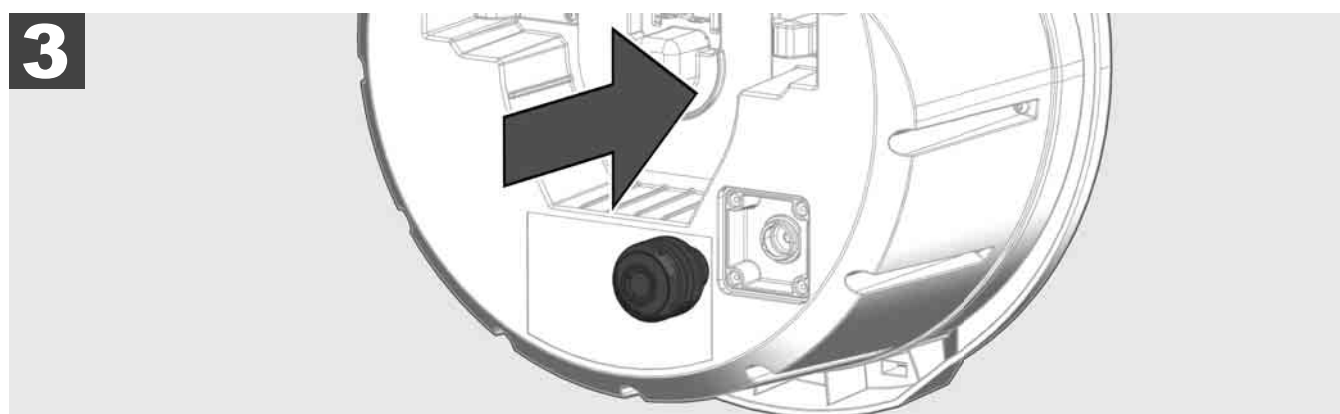
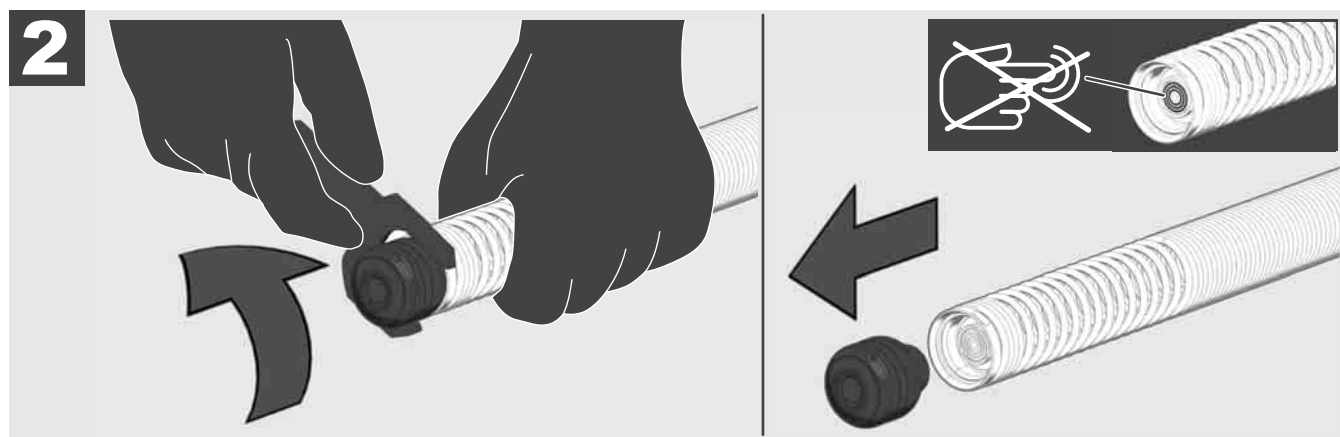
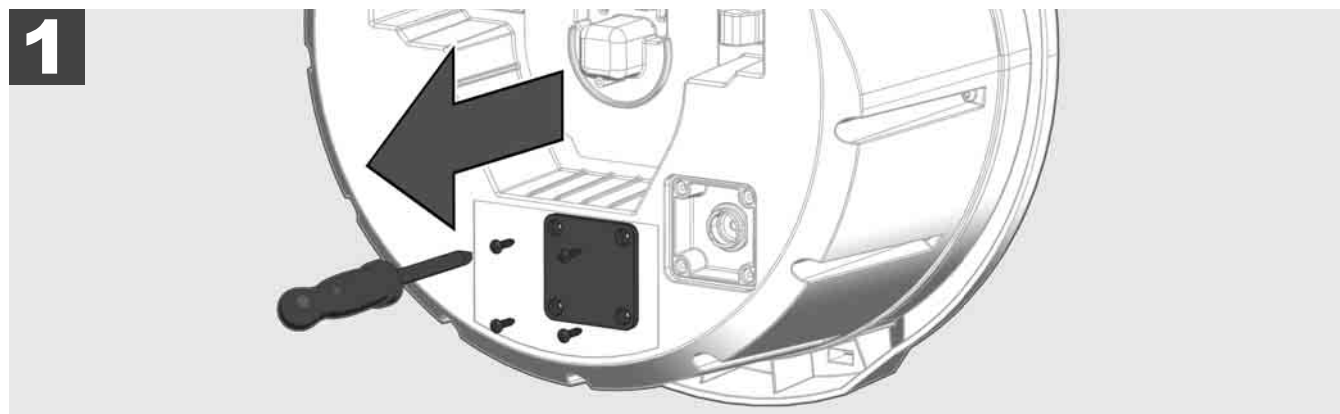
Attinot CAURUĻU APSKATES CILINDRU, bezvadu monitora M18 SIM statusa joslā tiek attēlots attīta kabeļa garums.

Nospiediet taustiņu , lai atiestatītu rādījumu.



## 2.11 Kameras pārbaudes pieslēgums

Ja rodas sarežģījumi ar kameras galvu, tad kameras pārbaudi var veikt ar pārbaudes pieslēgumu.

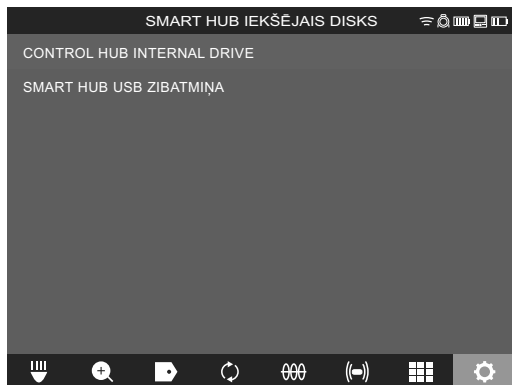


## 2.12 Iekšējā diska un USB zibatmiņas formatēšana

Ar šo funkciju varat veikt Smart Hub iekšējā 500 GB diska vai USB zibatmiņas formatēšanu.

USB zibatmiņas jāformatē FAT32 formātā.

1. Atlasiet **ĪESTATĪJUMI**  → **FORMATĒT ATMIŅU**
2. Atlasiet atmiņu.



3. Apstipriniet ziņojumu ekrānā.




Atlasītais disks tiek noformatēts, un sistēma atgriežas izvēlnē **ĪESTATĪJUMI**.

## 2.13 Rūpnīcas iestatījumi

Funkcijas Rūpnīcas iestatījumi izvēle aktivizē Smart Hub M18 SISH atiestati uz rūpnīcā iestatītajām vērtībām.

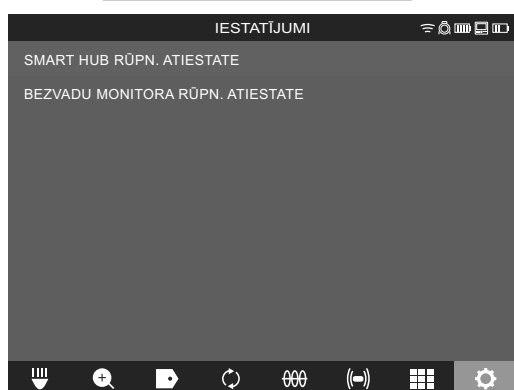
Atiestatīti tiek šādi Smart Hub M18 SISH iestatījumi:

- MARĶĒJUMI tika dzēsti.
- VIDEO un ATTĒLU iestatījumi tiek atiestatīti uz 1080 P.
- UZŅĒMUMA NOSAUKUMS tiek dzēsts.
- ĪPAŠĀ FREKVENCE tiek atiestatīta uz rūpnīcas iestatījumiem.
- LĪNIJAS TRAJEKTORIJA tiek atiestatīta uz rūpnīcas iestatījumiem.
- EKRĀNA IESTATĪJUMI tiek atiestatīti uz rūpnīcas iestatījumiem. Krāsas tonis, gaišums, kontrasts, piesātinājums.
- MĒRVIENTĪBAS

1. Atlasiet **IESTATĪJUMI**  → **RŪPNĪCAS IESTATĪJUMI**



2. Atlasiet **RŪPNĪCAS IESTATĪJUMI** Smart Hub M18 SISH.



3. Izlasiet un apstipriniet atiestatīšanas ziņojumu ar opciju LABI.



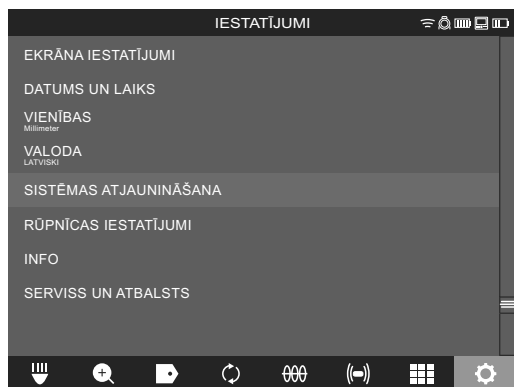
Atiestate uz rūpnīcas iestatījumiem ir pabeigta un sistēma atgriežas apakšizvēlnē **RŪPNĪCAS IESTATĪJUMI**.

## 2.14 Sistēmas atjaunināšana

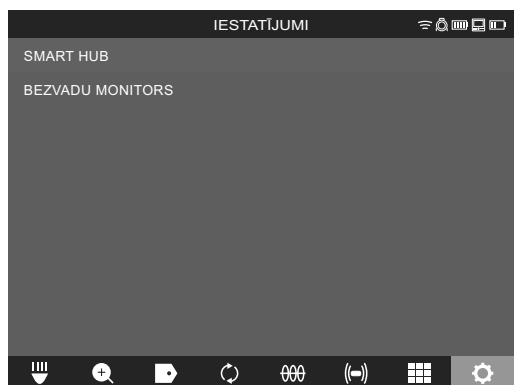
Pirms atjaunināt sistēmu, atveriet izvēlni **IESTATĪJUMI** → **INFO** un pierakstiet faktisko programmatūras versiju.

Aparātprogrammatūras atjauninājumus var veikt ar bezvadu monitoru M18 SIM vai planšetdatoru, kurā ir uzinstalēta Milwaukee® cauruļu apskates lietotne.

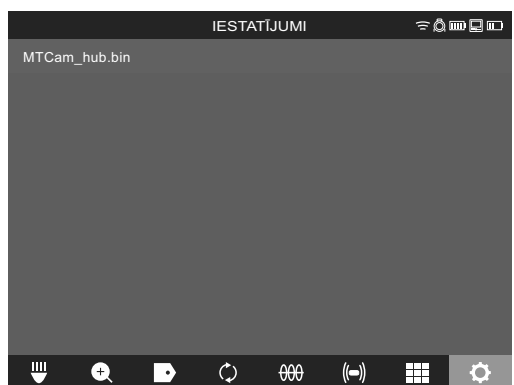
1. Aktivizējiet Smart Hub M18 SISH un bezvadu monitoru M18SIM vai planšetdatoru ar Milwaukee® cauruļu apskates lietotni.
2. Pārliecinieties, ka bezvadu monitors M18 SIM vai planšetdators, izmantojot WLAN, ir savienots ar Smart Hub M18 SISH. Ja nav izveidots WLAN savienojums, tad vispirms izveidojiet to.
3. USB zibatmiņu ar aparātprogrammatūras atjauninājumu ievietojiet Smart Hub M18 SISH USB A portā.
4. Atlasiet **IESTATĪJUMI** → **SISTĒMAS ATJAUNINĀJUMS**



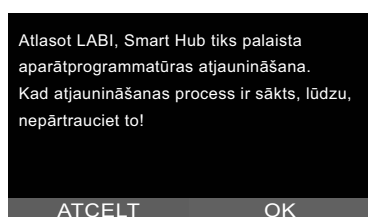
5. Atlasiet Smart Hub M18 SISH.



6. Ekrānā tiek attēlots atjauninājuma datnes nosaukums. Atlasiet **DATNES NOSAUKUMS**, lai sāktu atjaunināšanu.

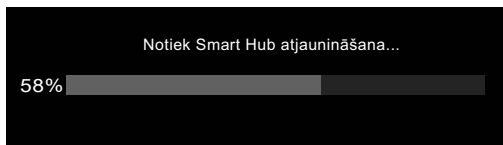


7. Izlasiet un apstipriniet brīdinājuma ziņojumu ar opciju LABI.

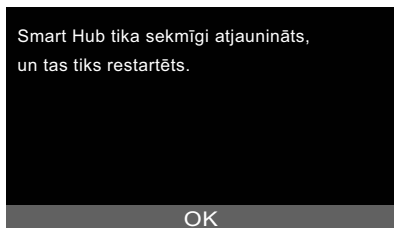




8. Atjauninājuma procesu attēlo progresu josla.



9. Atjauninājuma beigās tiek aktivizēts ziņojums, kas jāapstiprina. Atlasiet LABI, lai sistēmu aktivizētu no jauna.



10. Lai pārbaudītu, vai aparātprogrammatūras versija ir atjaunināta, atlasiet [IESTATĪJUMI](#) → [INFO](#).

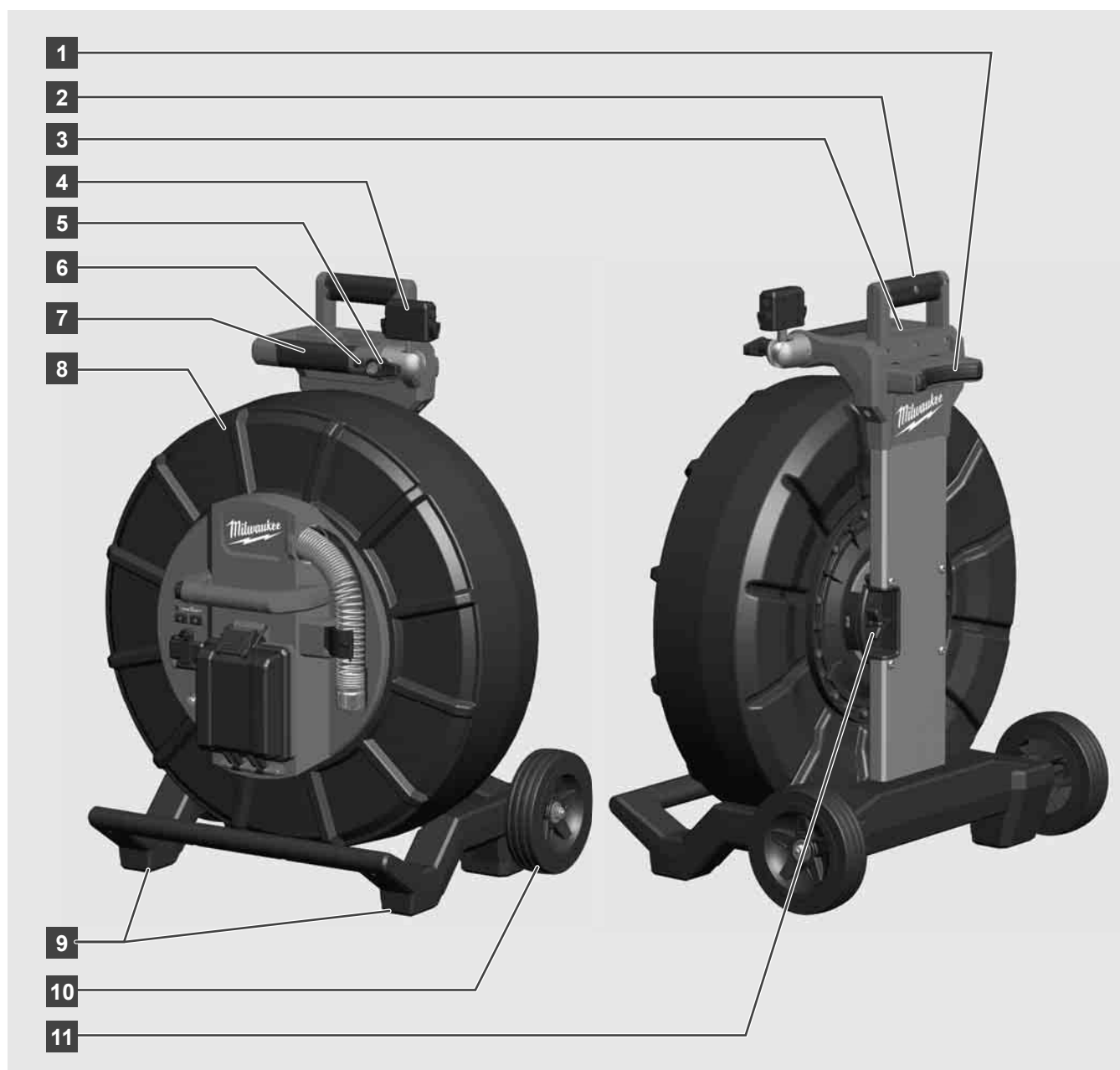
### 3 CAURUĻU APSKATES CILINDRS

#### 3.1 Cauruļu apskates cilindra M18 SIC36 pārskats



- 1 Horizontālās lietošanas balsta kāja
- 2 Bezvadu monitors M18 SIM —planšetdatora stiprinājums un pieslēgums
- 3 Bezvadu monitors M18 SIM — rotējošais stiprinājums
- 4 Bezvadu monitors M18 SIM — sasveramais stiprinājums
- 5 Rokturis
- 6 Kabeļa cilindrs ar bīdāmo kabeli
- 7 Vertikālās lietošanas balsta kāja
- 8 Kabeļa cilindra bremzes
- 9 Horizontālās lietošanas balsta kāja
- 10 Balsta ierīce

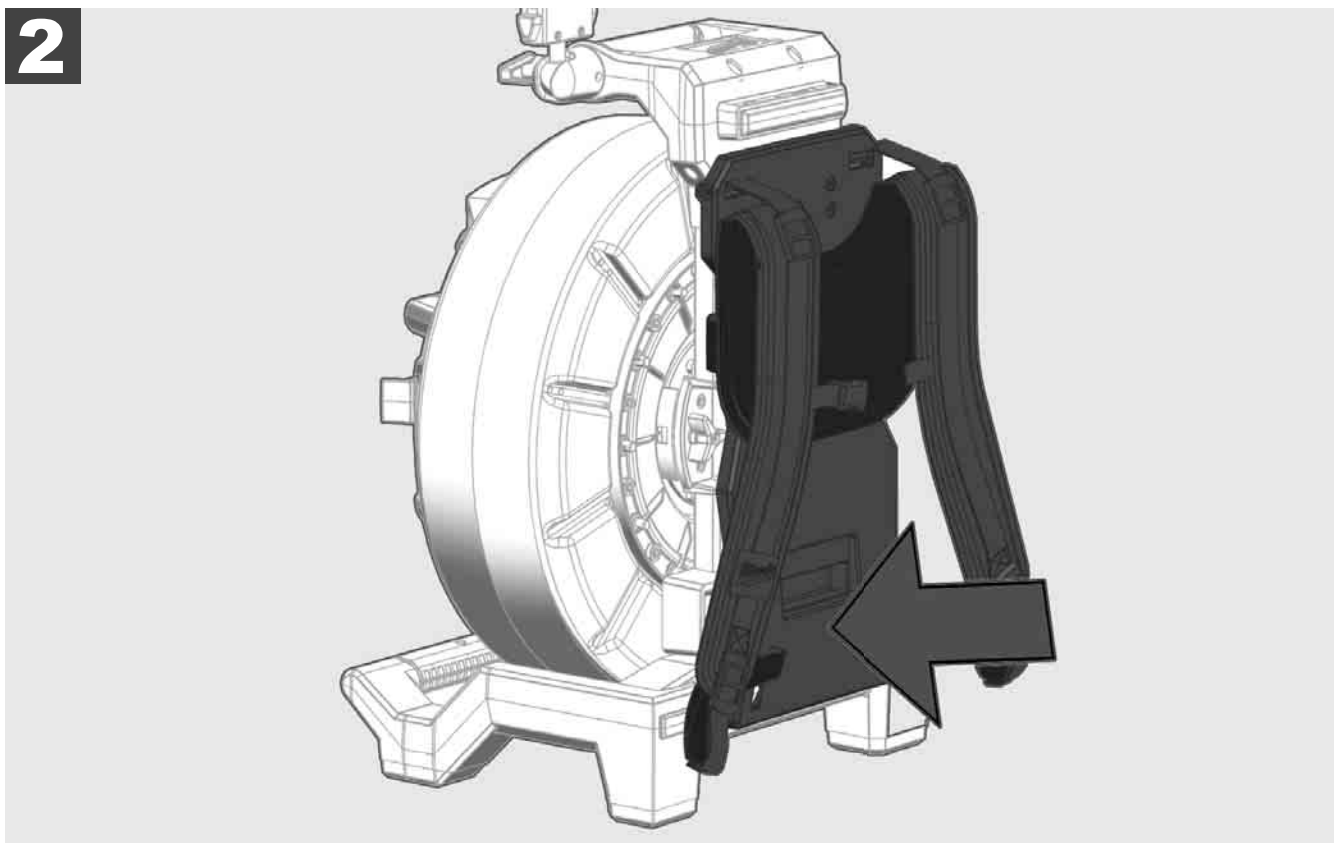
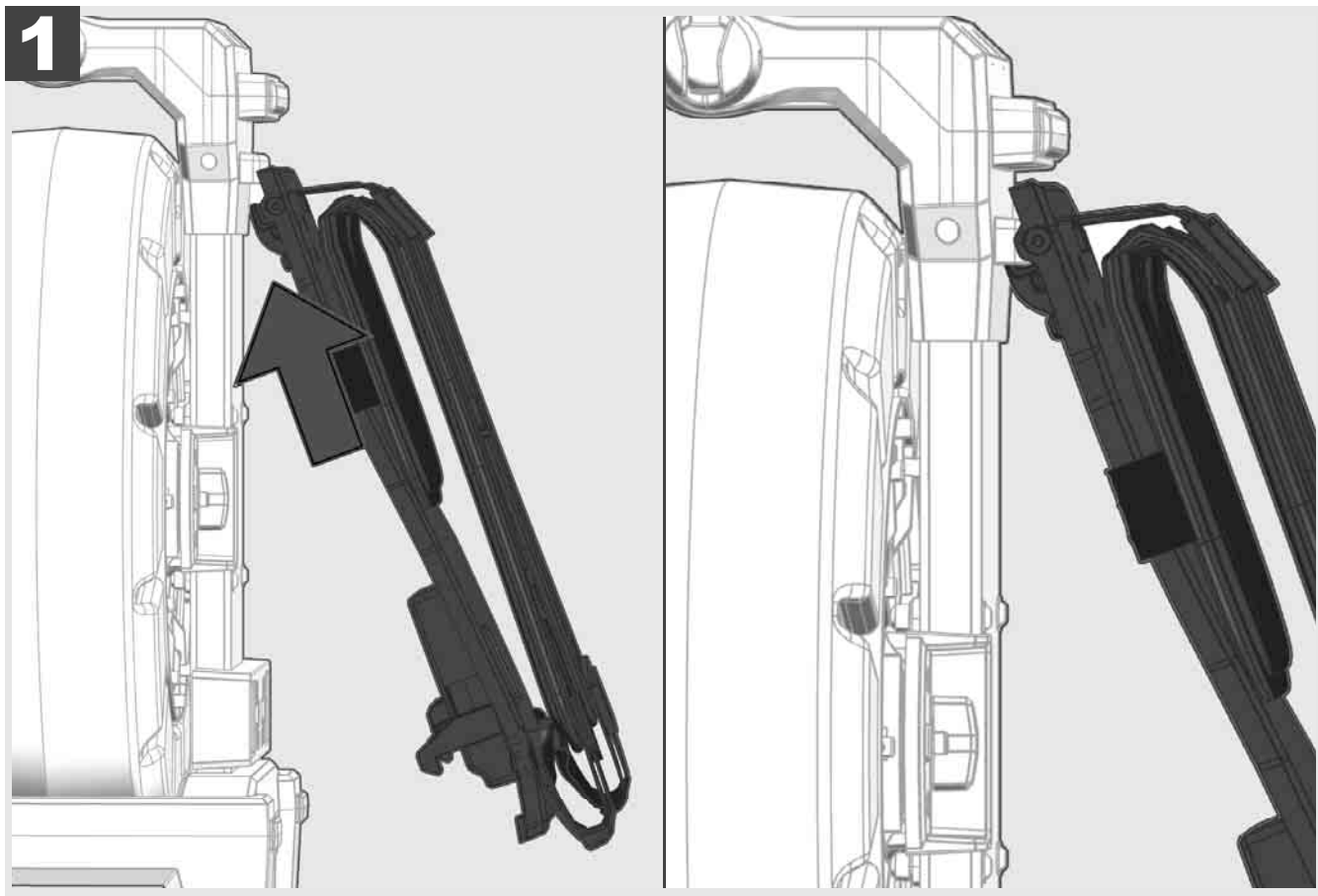
### 3.2 Cauruļu apskates cilindra M18 SIC60 pārskats



- 1 Horizontālās lietošanas balsta kāja
- 2 Izvelkamais rokturis (iebīdītā pozīcijā)
- 3 Izvelkamā roktura bloķēšanas un atbloķēšanas taustiņš
- 4 Bezvadu monitors M18 SIM — planšētdatora stiprinājums un pieslēgums
- 5 Bezvadu monitors M18 SIM — pagriežamais stiprinājums
- 6 Bezvadu monitors M18 SIM — sasveramais stiprinājums
- 7 Rokturis
- 8 Kabeļa cilindrs ar bīdāmo kabeli
- 9 Vertikālās lietošanas balsta kāja
- 10 Riteņi
- 11 Kabeļa cilindra bremzes

### 3.3 Nešanas ierīces uzstādīšana

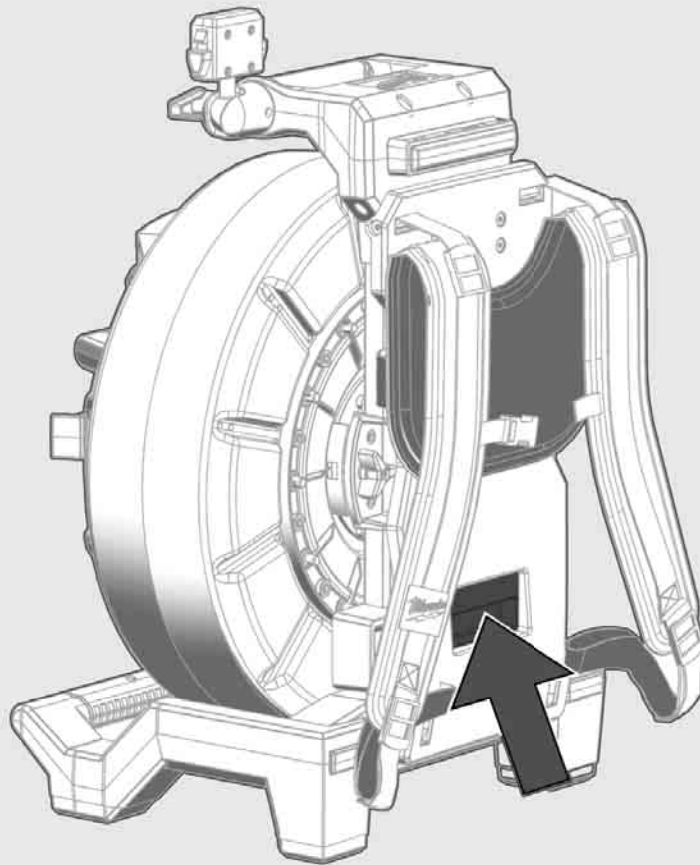
CAURUĻU APSKATES TRUMULIS M18 SIC36 ir aprīkots ar nešanas ierīci, kas cilindru ļauj nest uz muguras līdzīgi mugursomai. Šādi mazo cilindru var ērti pārvietot līdz izmantošanas vietai, kas ir īpaši praktiski, kāpjot pa trepēm vai kāpnēm.



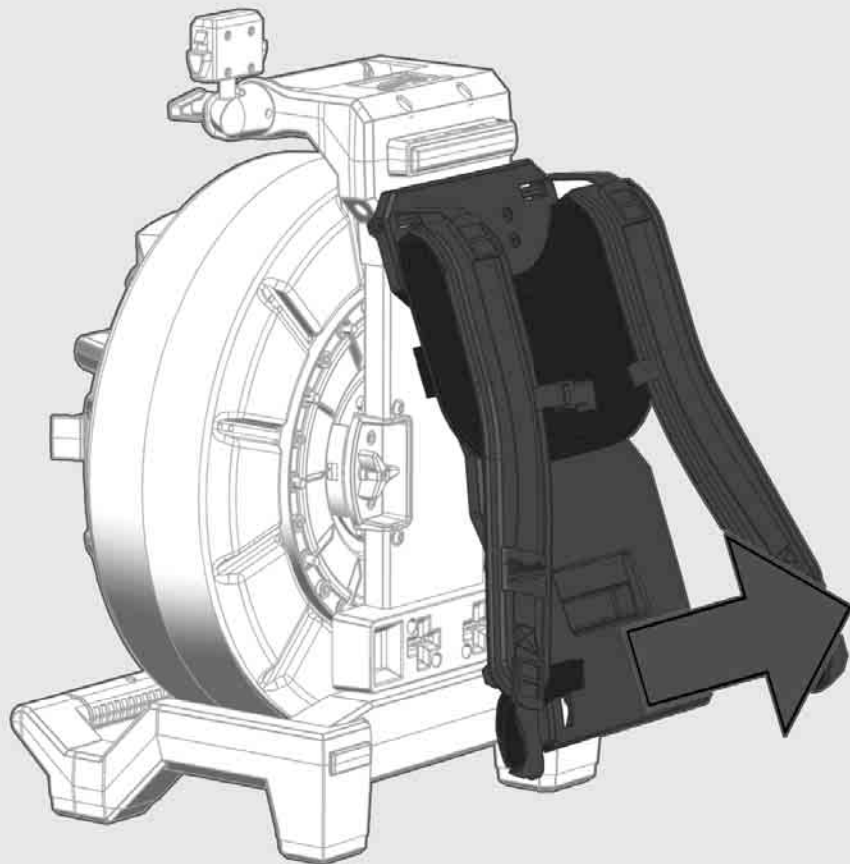
Iekariet nešanas ierīci augšā un spiediet ar rokturiem leju, līdz tā nofiksējas. Nedaudz pavelciet aiz nešanas ierīces, lai pārlicinātos, ka tā ir nofiksēta.



**1**

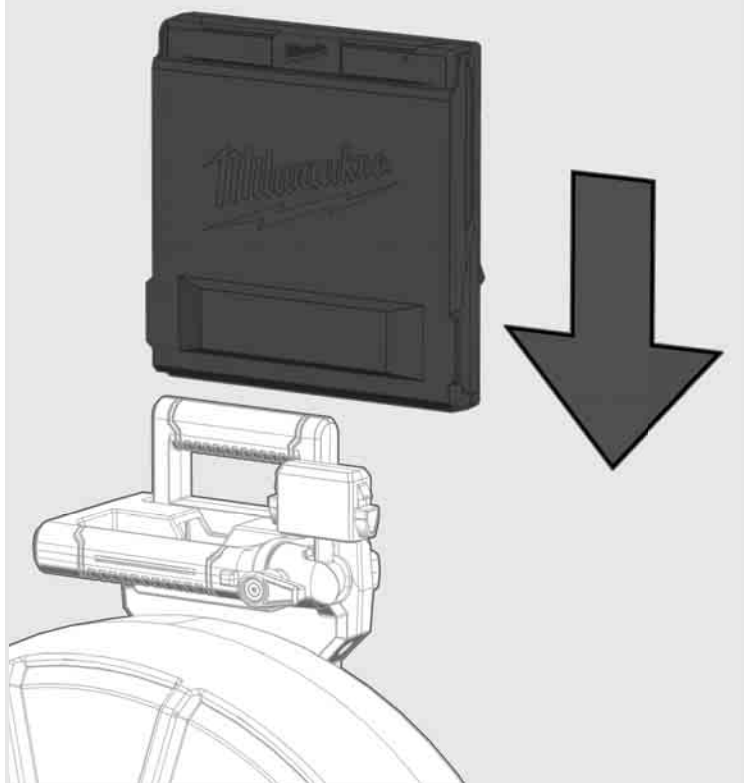


**2**

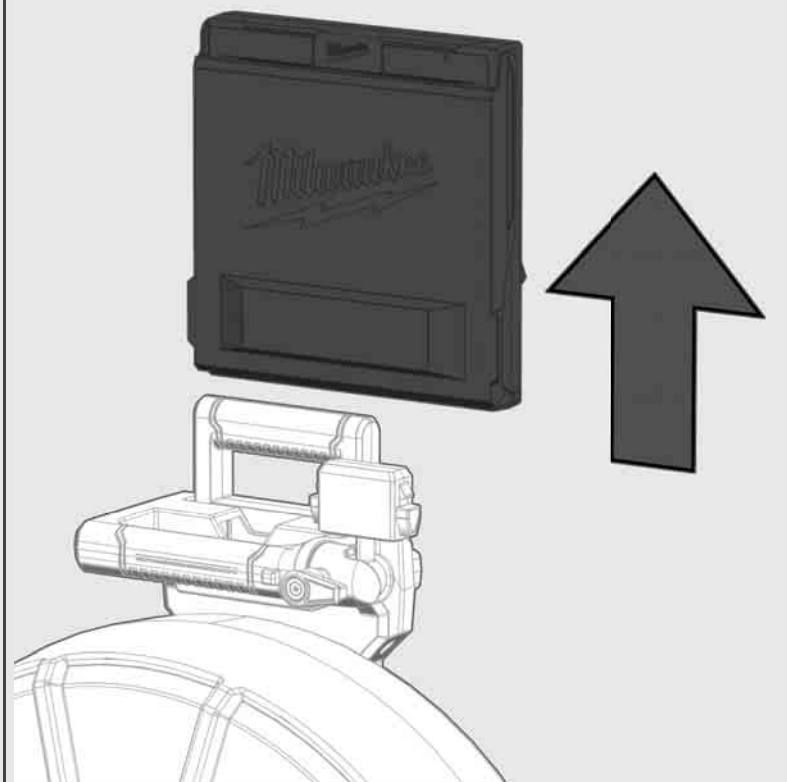
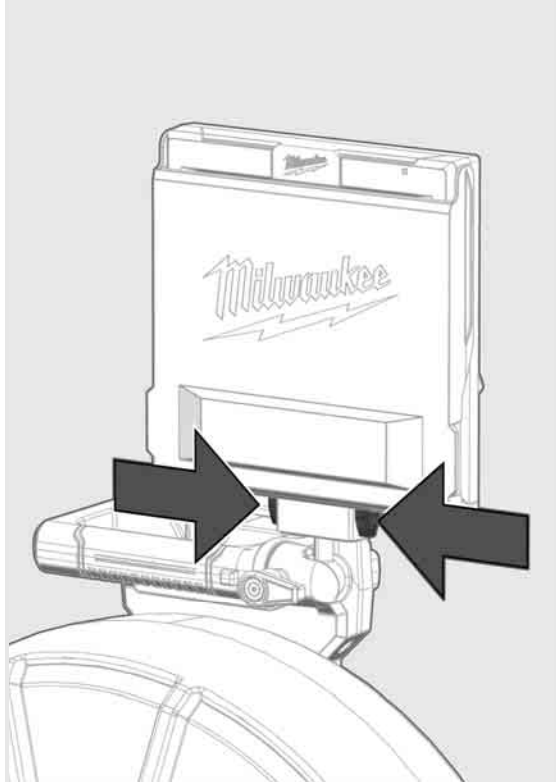


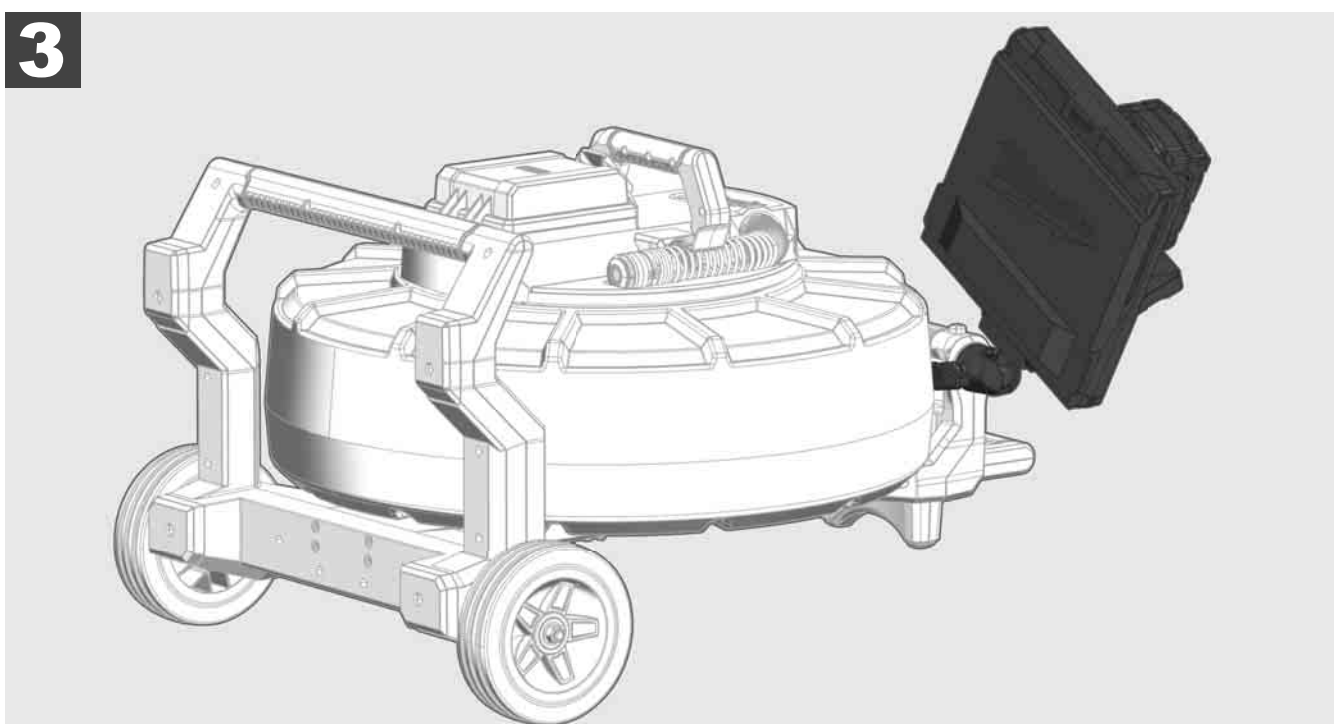
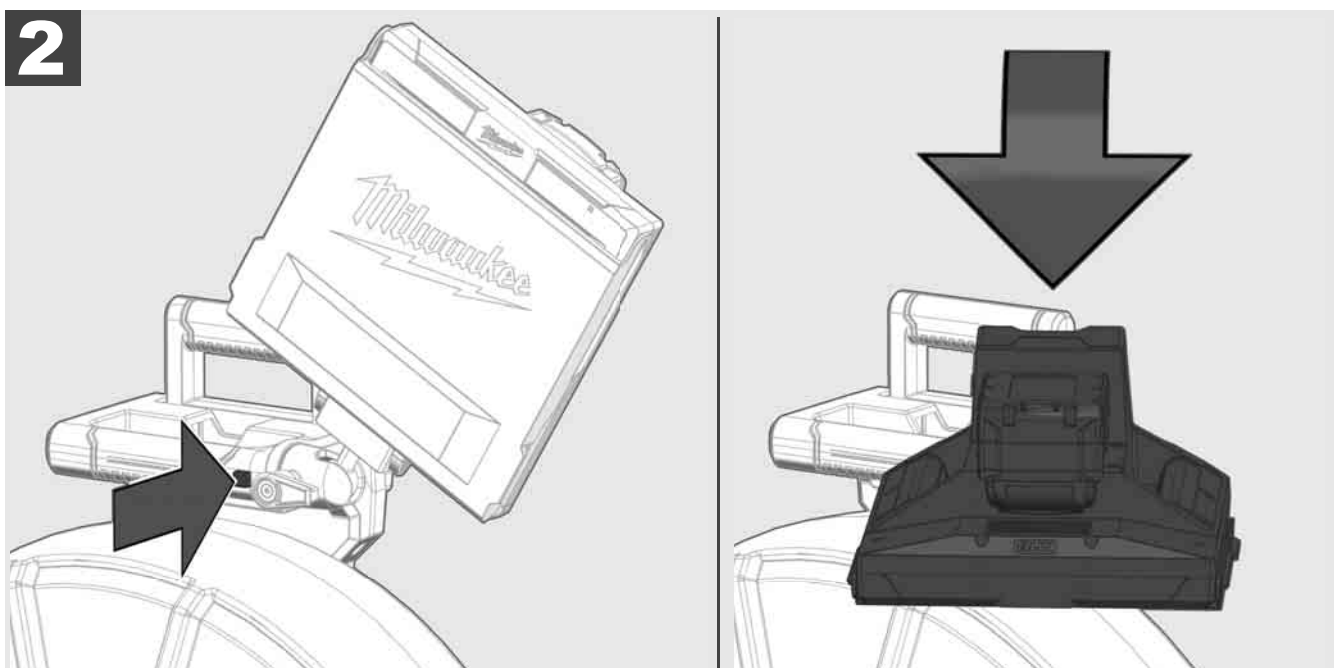
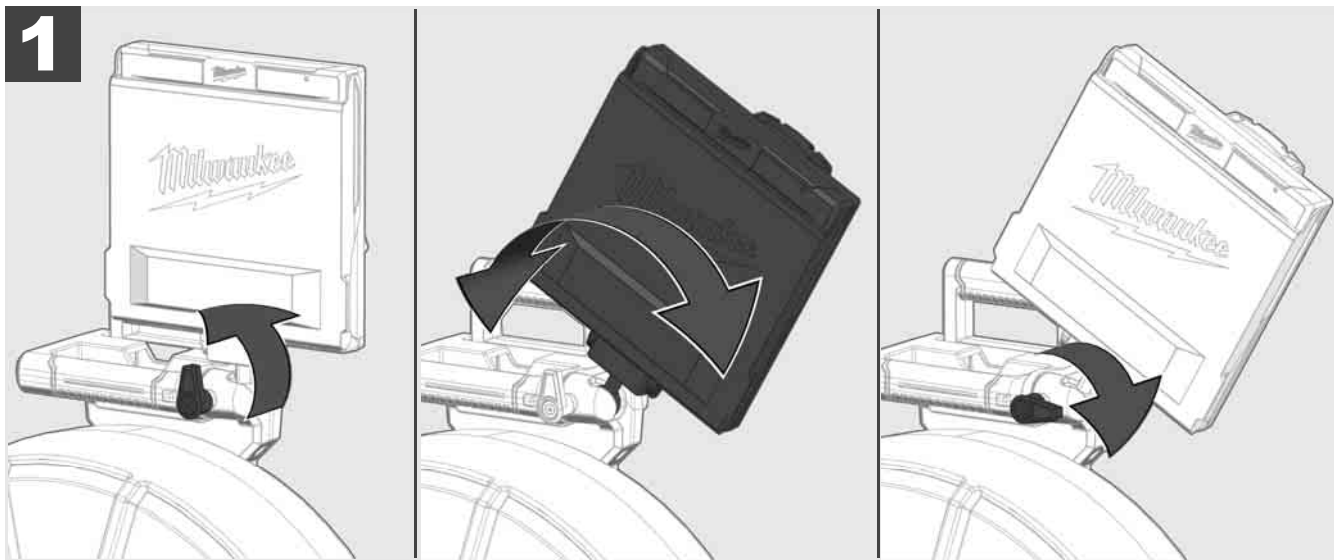


**1**



**2**





### 3.7 Cauruļu apskates cilindra lietošana



Pārbaudiet bīdāmā kabeļa nodiluma pazīmes — uztinot pārbaudiet, vai kabelim nav konstatējami griezumi, lūzumi un nodilums. Apvalks jānomaina, ja tas ir nodilis tik ļoti, ka redzams dzeltens vai balts kevlara audums. Lietojot bīdāmo kabeli ar bojātu apvalku, tajā var iespieties ūdens un mitrums, ietekmējot kameras attēlu kvalitāti vai izraisot neatgriezeniskus kameras bojājumus.

Turpmākajā attēlā redzami ievērojami bojāta apvalka piemēri. Šādi bojātus bīdāmos kabelus ir pēc iespējas ātrāk jānomaina.

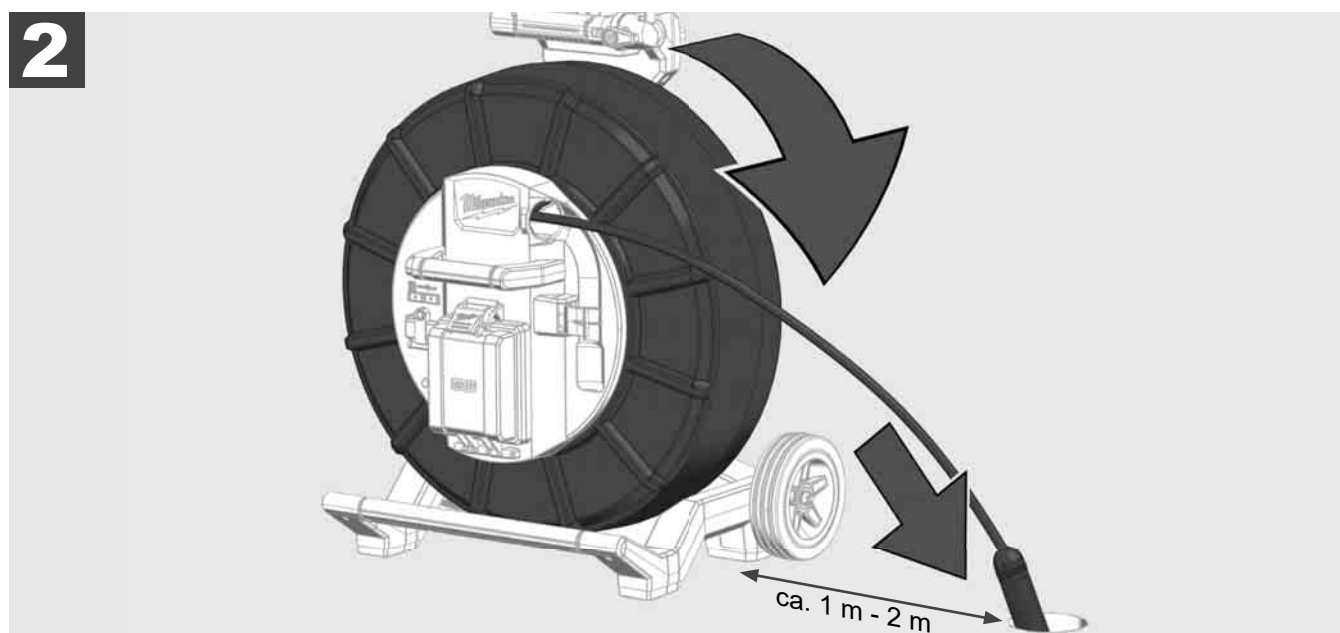
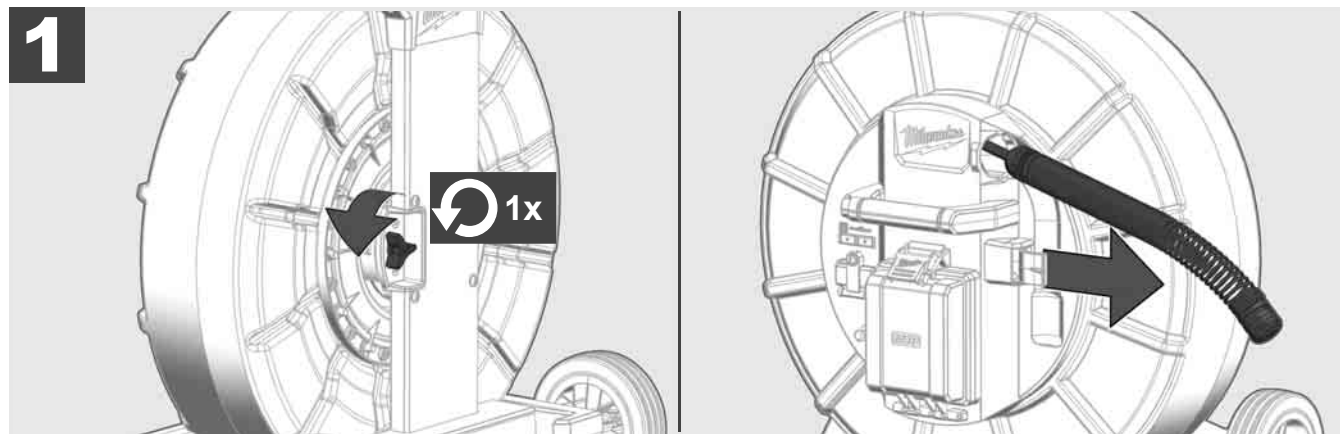


Raugiet, lai bīdāmais kabelis un atsperelementu modulis vienmēr būtu sausi un tīri — kabeļa uztīšanas laikā vienmēr noīriet to ar tīru un sausu drānu. Darba dienas beigās uzmanīgi noskalojiet netīrumus no kameras galvas un atsperēm tekošā ūdenī. Nokratiet to sausu vai atlikušo ūdeni nopūtiet ar zemspiediena gaisa strūklu un nožāvējiet detaļas. Kameras galva, bīdāmais kabelis un pieslēguma daļas ikdienas lietošanā ir pakļautas kodīgām ķīmikālijām. Rūpīga sistēmas tīrīšana paīdzina šo daļu darbmūžu.

Bīdāmo kabeli lietojiet rūpīgi — nevelciet to ārā no nofiksēta cilindra. Pretējā gadījumā kabelis cilindrā tiks saspīests un pārlieku noslogots. Bīdāmā kabeļa bīdīšana atpakaļ nofiksētā cilindrā var apgāzt rulli vai salauzt kabeli.

Novietojiet cilindru uz līdzenas pamatnes aptuveni 1 līdz 2 metru attālumā no ievietošanas vietas. Šādi tiek nodrošināts pietiekams vietas apjoms kabeļa lietošanai, nevelkot pa zemi kabeļa cilpas. Nepieciešamības gadījumā aktivizējiet berzes bremzes, lai palēninātu bīdāmā kabeļa kustību.

Lietojot cilindru horizontālā pozīcijā, virsma starp kājām palielinās. Tas nodrošina stabilu cilindra novietojumu uz nelīdzenas pamatnes un samazina tā augstumu, kas atvieglo lietošanu šaurās telpās.





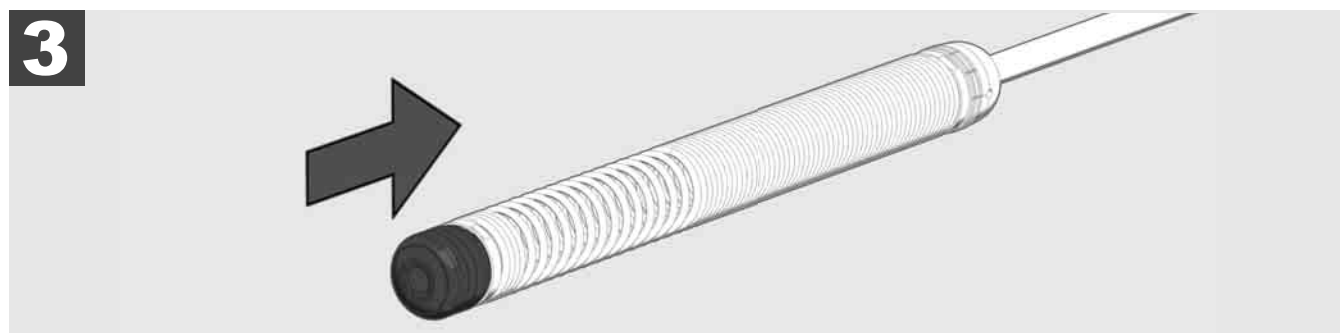
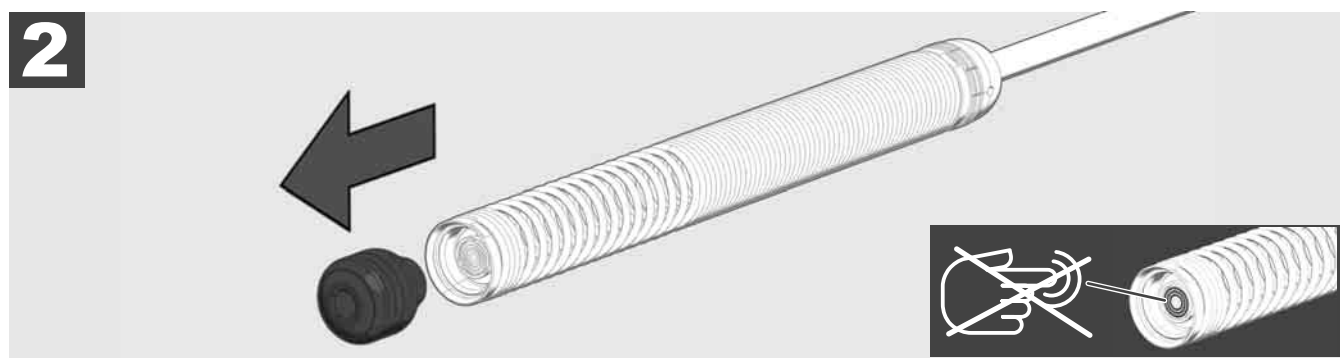
### 3.8 Kameras galvas modulis



Pēc iespējas centieties neaizskart ar kailām rokām zaļo shēmu vai zelta atsperolelementu moduļa kontaktus, kā arī kameras galvu. Pretējā gadījumā pirkstu tauku slānis tiek pārnests uz šiem komponentiem, izraisot priekšlaicīgu koroziju. Centieties vienmēr lietot tīrus un sausus gumijas cimdus.

Pirms izņemšanas nosusiniet kameras galvu un notīriet kameras pieslēguma zonā iekritušos netīrumus.

Nepievelciet pārāk cieši un nelietojiet pārāk lielu spēku!



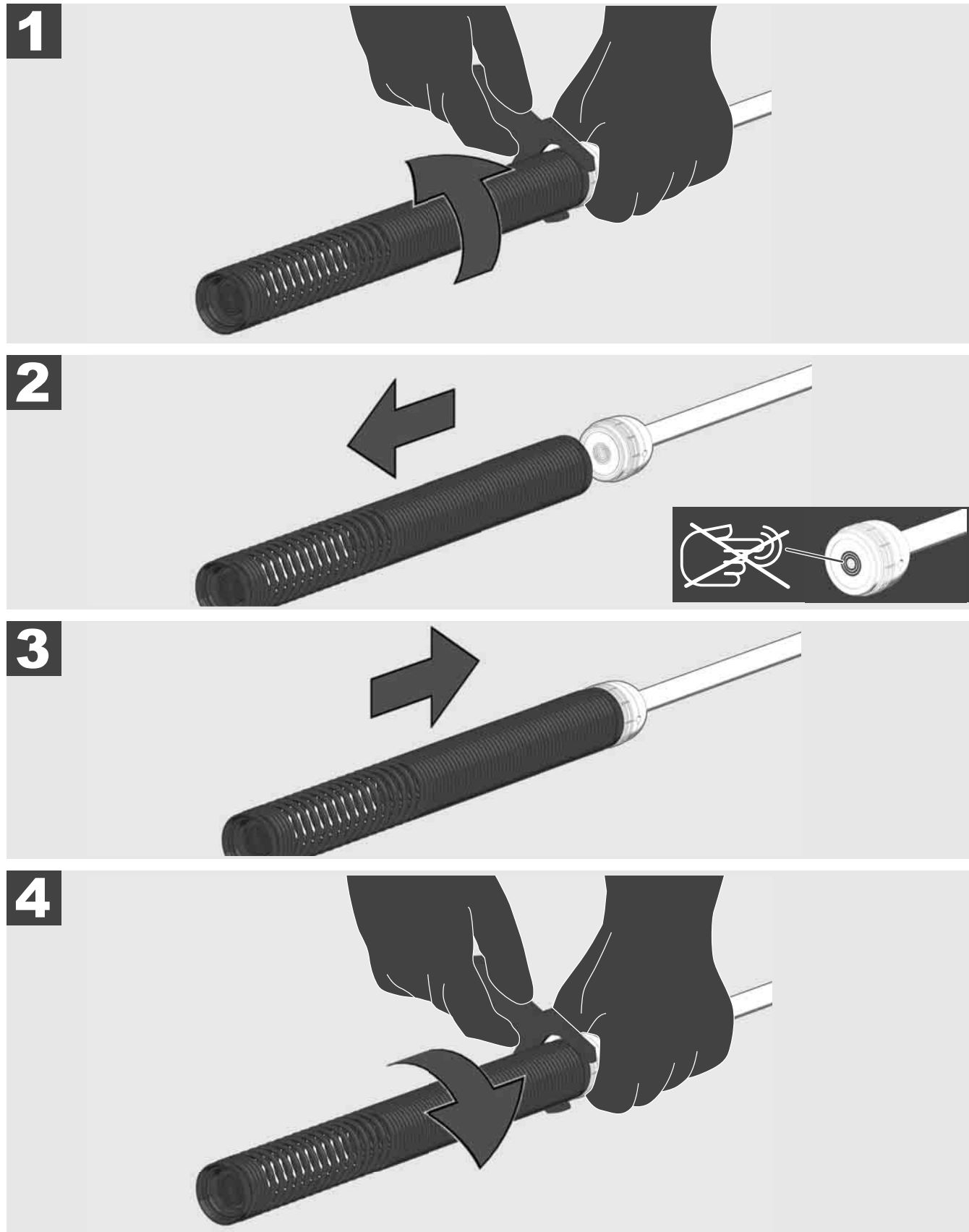
### 3.9 Atsperelementu modulis



Pēc iespējas centieties neaizskart ar kailām rokām zaļo shēmu vai zelta atsperelementu moduļa kontaktus, kā arī kameras galvu. Pretējā gadījumā pirkstu tauku slānis tiek pārnest uz šiem komponentiem, izraisot priekšlaicīgu koroziju. Centieties vienmēr lietot tīrus un sausus gumijas cimdus.

Pirms izņemšanas nosusiniet kameras galvu un notīriet kameras pieslēguma zonā iekritušos netīrumus.

Nepievelciet pārāk cieši un nelietojiet pārāk lielu spēku!



### 3.10 Kameras aizsargpārsegs

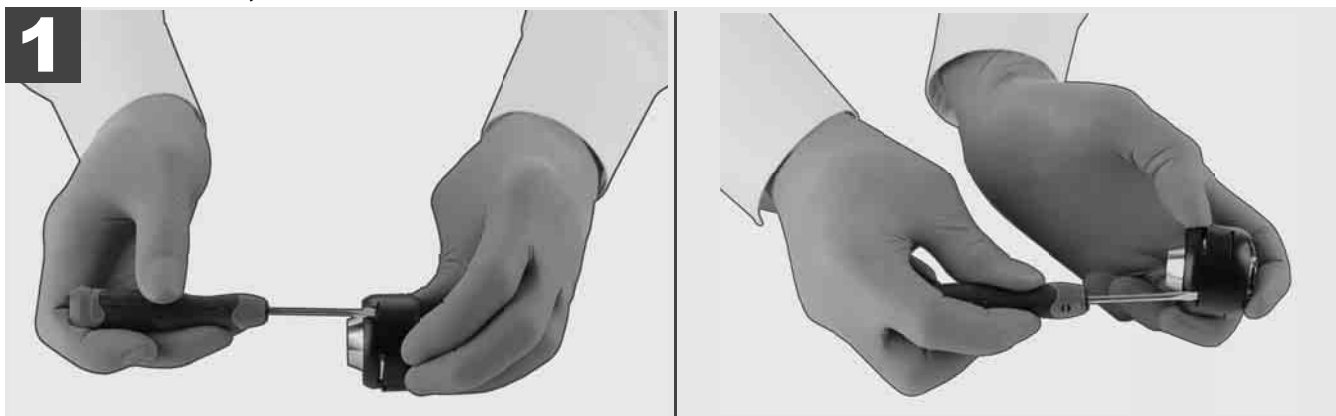


Aizsargpārsegi — atbilstoši kameras galvām ar 25 mm vai 34 mm diametru. Šie aizsargpārsegi tiek piegādāti kopā ar visiem CAURUĻU APSKATES TRUMUĻIEM vai rezerves kameras galvām.

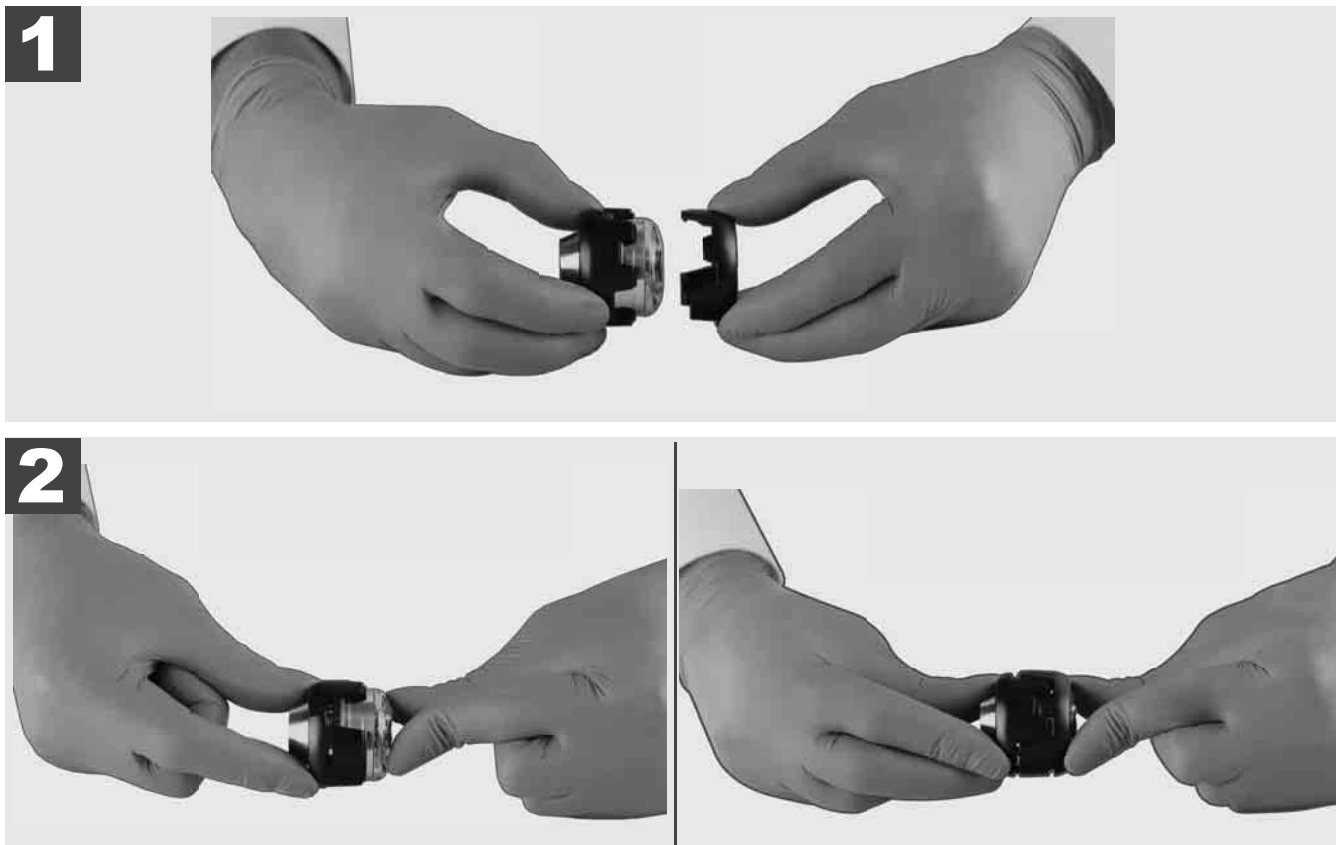
Vadotnes — tās tiek novietotas uz atsperēlementu moduļa, lai kameras galva virzītos gar pamatni, nesaskaroties ar cauruli.



#### Aizsargpārsega noņemšana



#### Aizsargpārsega uzstādīšana



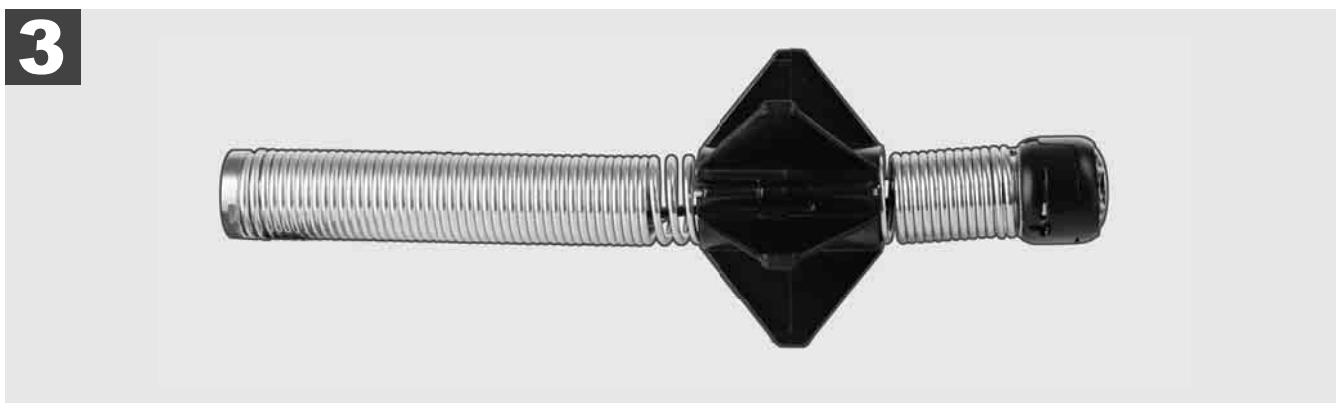
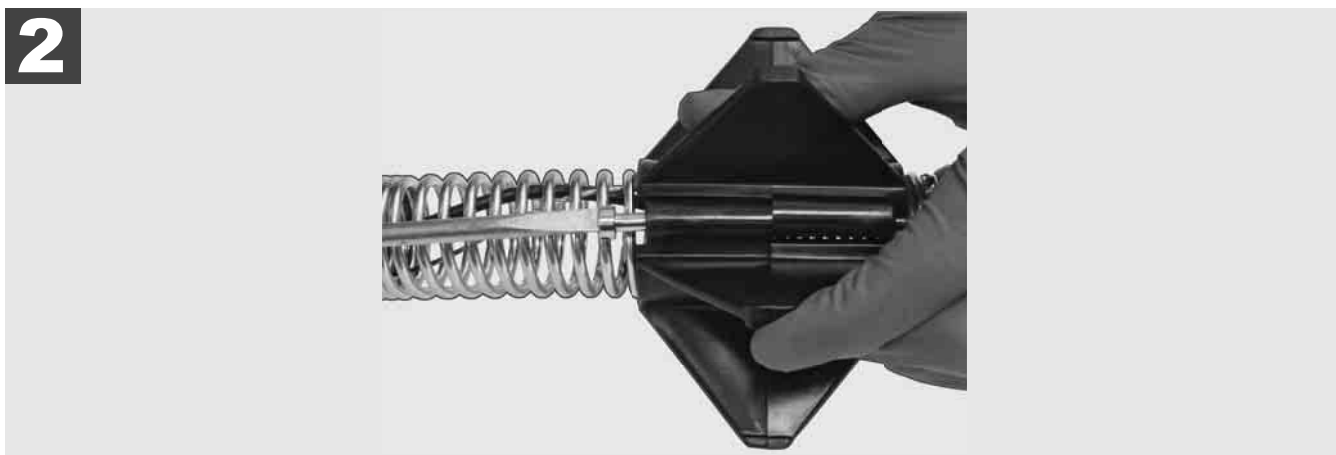
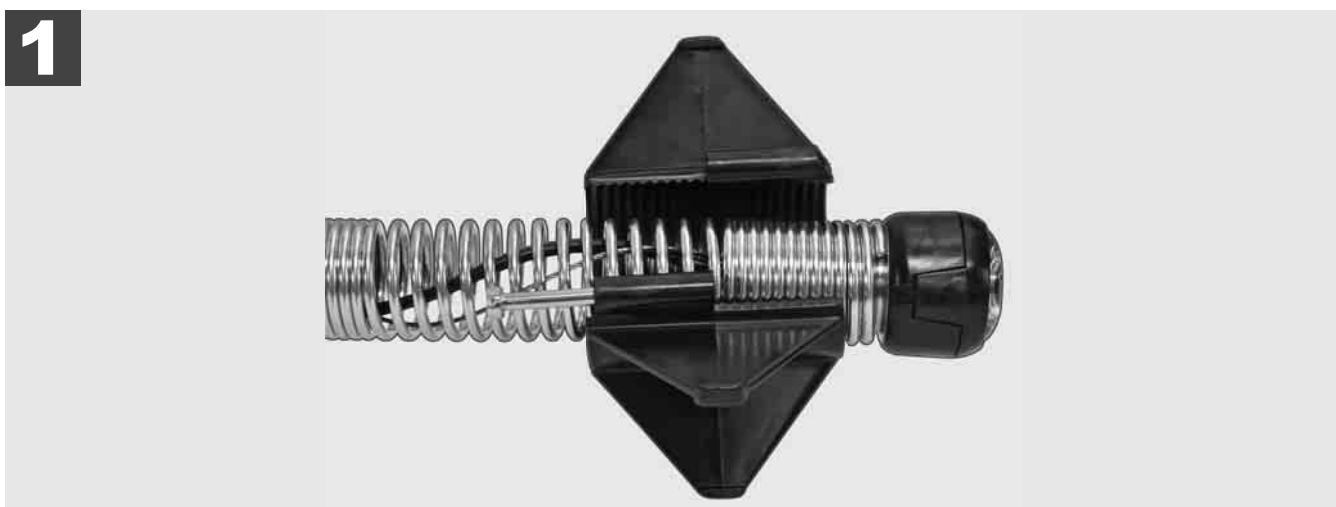
### 3.11 Kameras vadotnes



25 mm vai 34 mm platuma kamerai pieejamas attiecīgi divas vadotnes: Mazāks 75 mm modelis un vidējs 100 mm modelis.


Kameras vadotne 25 mm

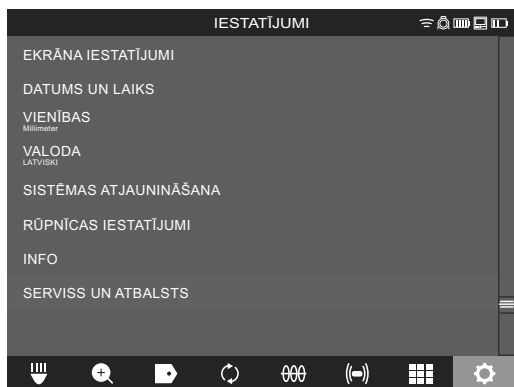
Kameras vadotne 34 mm




### 3.12 Serviss un atbalsts


Ja jūsu CAURUĻU APSKATES SISTĒMU nepieciešams labot, sadaļā SERVISS UN ATBALSTS nokļūsiat Milwaukee instrumentu servisa lapā ar visiem svarīgajiem tālruņa numuriem.

Atlasiet **IESTATIJUMI**  **→ SERVISS UN ATBALSTS**





**Milwaukee**  
Nothing but **HEAVY DUTY**®

click 

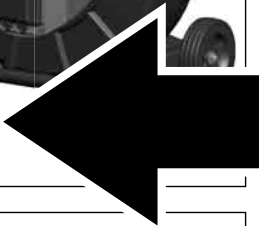


**M18 SIC36**  
**M18 SIC60**  
**M18 SISH**

click 



**M18 SIM**

click 

1	Bendrieji nurodymai .....	2
1.1	Ypatingos vamzdžių patikros sistemų saugos instrukcijos .....	2
1.2	Kiti saugos ir darbo nurodymai .....	2
1.3	Techniniai duomenys .....	3
1.4	Naudojimas pagal paskirtį .....	3
1.5	Radijo dažnio reikalavimai, susiję su Europoje naudojama įranga .....	3
1.6	EB Atitikties deklaracija .....	3
1.7	ONE-KEY™ .....	4
1.8	AKUMULIATORIAI .....	4
1.9	Ličio jonų akumuliatorių pervežimas .....	4
1.10	Techninė priežiūra .....	4
1.11	Simboliai .....	5
2	„Smart Hub“ M18 SISH .....	6
2.1	„Smart Hub“ M18 SISH apžvalga .....	6
2.2	Akumuliatoriaus įstatymas ir išėmimas .....	7
2.3	Patikrinti akumuliatoriaus įkrovos būklę .....	8
2.4	„Smart Hub“ M18 SISH įdėjimas .....	9
2.5	„Smart Hub“ M18 SISH išėmimas .....	10
2.6	Įj. / išj. jungiklis .....	11
2.7	Monitoriaus prijungimas .....	12
2.8	USB prievadai .....	13
2.9	Įžeminimo strypas .....	14
2.10	Ilgio skaitiklio nustatymas iš naujo .....	15
2.11	Kameros bandymo jungtis .....	16
2.12	Vidinio disko ir atmintuko formatavimas .....	17
2.13	Gamyklinės nuostatos .....	18
2.14	Sistemos naujinimas .....	19
3	VAMZDŽIŲ PATIKROS RITĖ .....	21
3.1	Vamzdžių patikros ritės M18 SIC36 apžvalga .....	21
3.2	Vamzdžių patikros ritės M18 SIC60 apžvalga .....	22
3.3	Nešiojimo įtaiso įrengimas .....	23
3.4	Nešiojimo įtaiso išėmimas .....	24
3.5	Belaidžio monitoriaus M18 SIM įrengimas .....	25
3.6	Belaidžio monitoriaus M18 SIM nustatymas .....	26
3.7	Vamzdžių patikros ritės naudojimas .....	27
3.8	Kameros galvutės konstrukcinė grupė .....	28
3.9	Spyruoklių grupė .....	29
3.10	Kameros apsauginis dangtelis .....	30
3.11	Kameros kreiptuvai .....	31
3.12	Aptarnavimas ir pagalba .....	32

## 1.1 Ypatingos vamzdžių patikros sistemų saugos instrukcijos

Dirbdami vamzdžiuose atkreipkite dėmesį, kad jie nebūtų veikiami įtampos ir įelektrinti. Vamzdžiuose negali būti skysčio. Kamera ir prietaisas negali liestis su skysčiais.

Venkite kameros ir kabelio sąlyčio su alyva, dujomis arba kitomis koroziją sukeliančiomis medžiagomis.

Siekiant sumažinti sprogimo, elektros smūgio ir turto sugadinimo riziką, prieš atlikdami bet kokius darbus patikrinkite darbo vietą. Kabelis neturi liestis su elektros komponentais, cheminėmis medžiagomis ar judančiomis dalimis.

Siekdami sumažinti žalos prietaisui riziką, nenaudokite didelės jėgos ir nelankstykite kabelio. Nenaudokite patikros kameros ar kabelio tose srityse, kuriose jie gali liestis su ėsdinančiomis ar tepaluotomis medžiagomis.

Nenaudokite kabelio kamščiams ar kliūtims šalinti. Jis nėra skirtas vamzdžiams valyti!

Jei valomame nuotekų vamzdyje galėtų būti chemikalų, bakterijų ar kitų toksinių medžiagų ar infekcijų sukėlėjų, mūvėkite gamintojo rekomenduojamas apsaugines pirštines, latekso ar gumines pirštines bei užsidėkite apsauginius akinius, veido apsaugą, vilkėkite apsauginius drabužius ir naudokite respiratorių. Vamzdynuose gali būti chemikalų, bakterijų arba kitokių medžiagų, kurios gali būti toksiškos ar sukelti infekcijas ir nudegimus arba kitaip sunkiai sužaloti.

Laikykitės higienos reikalavimų. Naudodami prietaisą nevalgykite ir nerūkykite. Pasinaudoję vamzdžių patikros sistema visada būtinai šiltu vandeniu ir muilu nusiplaukite rankas ir kitas kūno dalis, kurios lietés su vamzdžių turiniu. Taip išvengsite sveikatos sutrikdymo dėl sąlyčio su toksinėmis arba infekcijas sukeliančiomis medžiagomis.

Prieš naudodami patikrinkite kabelį, ar jis nėra nusidėvėjęs ar pažeistas. Prieš naudodami pakeiskite susidėvėjusį ar pažeistą kabelį.

**ATSARGIAI!** Gabenant vamzdžių patikros sistemą ant pečių nešimo įrenginiu, rekomenduojame būti atsargiems. Galite prarasti pusiausvyrą.

Prietaisą visuomet naudokite apgalvotai ir atsargiai. Neįmanoma numatyti visų pavojingų situacijų. Prietaiso nenaudokite, jei nesuprantate jo instrukcijos arba jaučiate, kad jums tai per sunku. Norėdami gauti daugiau informacijos arba dalyvauti mokymuose, kreipkitės į „Milwaukee“ arba kvalifikuotą specialistą.

Nepašalinkite etikečių ir duomenų plokštelių. Šiose plokštelėse pateikiama svarbi informacija. Jei jos tapo neįskaitomos ar jų nebėra, kreipkitės į MILWAUKEE klientų aptarnavimo skyrių ir nemokamai gausite naujas.

Kai kurios šlifavimo, pjovimo ir gręžimo staklių ar atliekant kitus statybos darbus sukeltos dulкės gali turėti cheminių medžiagų, sukeliančių vėžinius susirgimus, lemiančių apsigimimus arba turinčius neigiamos įtakos reprodukcinei sveikatai. Tokio tipo cheminių medžiagų pavyzdžiai:

- švinas, esantis dažuose, pagamintuose švino pagrindu,
- kristalinis silicio dioksidas plytose, cemento ar kituose mūro gaminiuose bei
- arsenas arba chromas chemiškai apdorotoje medienoje.

Poveikio rizika priklauso nuo to, kaip dažnai atliekate tokio tipo darbus. Kad poveikio rizika būtų maksimaliai sumažinta, visuomet dirbkite gerai vėdinamose zonose. Naudokite oficialiai patvirtintas apsaugines priemones, pavyzdžiui, apsaugines kaukes nuo dulkių su mikrodalelių filtru.

## 1.2 Kiti saugos ir darbo nurodymai

Nekeiskite akumuliatoriaus, jei įrankio paviršius šlapias.

Išeikvotų akumuliatorių nedeginkite ir nemeskite į buitines atliekas. „Milwaukee“ pardavėjai siūlo aplinką tausojantį senų akumuliatorių tvarkymą.

Akumuliatorių nelaikykite kartu su metaliniais daiktais (trumpojo jungimo pavojus).

M18 sistemos akumuliatorius kraukite tik C18 sistemos įkrovikliais. Nenaudokite kitų sistemų akumuliatorių.

Veikiant ekstremaliai apkrovai arba ekstremaliai temperatūrai iš pažeistų akumuliatorių gali ištėkėti akumuliatoriaus skystis. Išsitemę akumuliatoriaus skysčiu, tuoj pat nusiplaukite vandeniu su muilu. Patekus į akis, tuoj pat ne trumpiau kaip 10 minučių gausiai skalaukite vandeniu ir nedelsdami kreipkitės į gydytoją.

**Įspėjimas!** Siekdami išvengti trumpojo jungimo sukeliama gaisro pavojaus, sužalojimų arba produkto pažeidimų, neikiškite prietaiso, akumuliatoriaus arba įkroviklio į skysčius ir pasirūpinkite, kad į juos nepatektų jokių skysčių. Koroziją sukeliantys arba laidūs skysčiai, pvz., sūrus vanduo, tam tikri chemikalai ir balikliai arba produktai, kurių sudėtyje yra baliklių, gali sukelti trumpąjį jungimą.

Šio prietaiso naudoti arba valyti negali asmenys, turintys fizinę, jutiminę arba dvasinę negalią arba neturintys patirties ir žinių, nebent atsakingas asmuo juos išmokytų saugiai elgtis su prietaisu. Aukščiau išvardytus asmenis

būtina prižiūrėti, kai jie naudojami prietaisu. Prietaisu negali naudotis vaikai. Prietaisu nesinaudojant jį būtina laikyti saugioje ir vaikams nepasiekiamoje vietoje.

### 1.3 Techniniai duomenys

	M18 SIC36	M18 SIC60	M18 SISH
Kameros laido ilgis .....	36 m.....	60 m	
Kameros galvutė .....	Ø 25 mm.....	Ø 34 mm	
Maks. padidinimas .....	4x .....	4x	
Akumuliatoriaus įtampa .....			18 V
Prietaiso svoris, įvertintas pagal EPTA 2014-01 tyrimų metodiką (4.0 Ah / 12 Ah)....	12,4 kg.....	20,46 kg.....	5,37 kg
„Bluetooth“ radijo dažnių juosta (radijo dažnių juostos) .....			2402-2480 MHz
Aukšto dažnio galia .....			1,8 dBm
„Bluetooth“ versija .....			4.0 BT signalo režimas
Rekomenduojama aplinkos temperatūra dirbant .....		-18+50 °C	
Rekomenduojami akumuliatorių tipai .....		M18B....; M18HB....	
Rekomenduojami įkrovikliai.....	M12-18C, M12-18AC, M12-18FC, M1418C6		

### 1.4 Naudojimas pagal paskirtį

Vamzdžių patikros sistema naudojama vamzdynamics apžiūrėti ir patikrinti. Sistemą sudaro trys moduliai:

#### - Vamzdžių patikros ritė M18 SIC36 arba M18 SIC60

Ji naudojama užvynioti ir nuvynioti bei valdyti stūmimo kabelį. Ritės yra dviejų dydžių: M18SIC36 skirta nuo 50 mm iki 150 mm skersmens vamzdžiams, o didesnis modelis M18SIC60 – vamzdžiams, kurių skersmuo nuo 75 mm iki 250 mm.

Abiejose ritėse yra stūmimo kabelis su konstrukcine spyruoklių grupe, kurioje įrengta savarankiškai nusistatanti kameros galvutė. Belaidį monitorių M18 SIM ir „Smart Hub“ M18 SISH galima naudoti abiem ritėms.

Abi ritės galima naudoti ir horizontalioje, ir vertikaloje padėtyje. Galinėje M18 SIC36 pusėje galima pritvirtinti nešiojimo įtaisą, kuris leis prietaisą nešioti ant pečių.

#### - „Smart Hub“ M18 SISH

„Smart Hub“ M18 SISH naudojamas vamzdžių patikros sistemai valdyti.

Belaidis monitorius M18 SIM arba planšetė, kuriuose įdiegta „Milwaukee®“ vamzdžių patikros taikomoji programa, prisijungia prie „Smart Hub“ M18 SISH, kad būtų galima gauti vaizdo įrašus ir nuotraukas. Vaizdo įrašai ir nuotraukos saugomi „Smart Hub“ M18 SISH vidiniame diske.

#### - Belaidis monitorius M18 SIM (komplekte jo nėra, galima įsigyti atskirai)

Belaidžiame monitoriuje M18 SIM peržiūrimi kameros galvutės įrašyti vaizdo įrašai ir nuotraukos bei atkurti vaizdo įrašai ir nuotraukų failai. Vidinis mikrofonas suteikia galimybę filmuojant įrašyti komentarus. Naudojant funkciją „Etiketės“ galima pridėti komentaro tekstą. Komentarų tekstai rodomi įrašytame vaizdo įrašė, nuotraukose kartu rodoma data, laikas ir nuvyniotas laido ilgis.

Šį prietaisą leidžiama naudoti tik pagal nurodytą paskirtį.

### 1.5 Radijo dažnio reikalavimai, susiję su Europoje naudojama įranga

Pastaba: šis prietaisas buvo išbandytas ir atitinka 3 kategorijos imtuvo ribines vertes pagal EN 300 440 V2.1.1.

Šios ribinės vertės nustatytos tam, kad būtų užtikrinta tinkama apsauga nuo žalingų radijo ryšio trukdžių gyvenamuosiuose pastatuose.

Šis prietaisas reaguoja į kitus prietaisus, kurie siunčia radijo bangas 2402–2480 MHz dažnio diapazone. Naudojant nuotolinį valdiklį toks dažnis gali trikdyti veikimą. Negalima atmesti tikimybės, kad tam tikromis aplinkybėmis pasireikš trukdžių. Norėdami patikrinti, ar šis prietaisas radijo ryšio signalais netrukdytų veikti kitiems prietaisams, trumpam išjunkite kitus prietaisus, kad patikrintumėte, ar trukdžiai dingsta. Pašalinti trukdžius gali padėti šios priemonės:

- išjunkite trukdžio šaltinį,
- padidinkite atstumą iki trukdžio šaltinio.
- Kreipkitės patarimo į specializuotų prekių parduovą arba profesionalų radijo ryšio techniką.

### 1.6 EB Atitikties deklaracija

Šiuo dokumentu bendrovė „Techtronic Industries GmbH“ patvirtina, kad radijo įrenginių tipas M18SISH atitinka Direktyvą 2014/53/ES. Visas ES atitikties deklaracijos tekstas prieinamas šiuo interneto adresu: <http://services.milwaukeeool.eu>



## 1.7 ONE-KEY™

Kad sužinotumėte daugiau apie šio prietaiso ONE-KEY funkcijas, perskaitykite pridėtą greitosios paleisties instrukciją arba aplankykite mus internete adresu [www.milwaukeeetool.com/one-key](http://www.milwaukeeetool.com/one-key). Į savo išmanųjį telefoną ONE-KEY taikomąją programą galite atsisiųsti iš „App Store“ arba „Google Play“.

Jei įvyksta elektrostatinė iškrova, nutraukiamas „Bluetooth“ ryšys. Tokiu atveju šį ryšį iš naujo prijunkite rankiniu būdu.

Prietaisas atitinka minimalius reikalavimus pagal EN 55014-2:2015 / EN 301489-1 V2.2.3 / EN 301489-17 V3.1.1.

### „ONE-KEY™“ rodmuo

Šviečia mėlyna spalva: radijo ryšys yra aktyvus ir gali būti nustatomas naudojantis „ONE-KEY™“ taikomąja programa.

Mirksi mėlyna spalva: prietaisas palaiko ryšį su „ONE-KEY™“ taikomąja programa.

Mirksi raudona spalva: saugumo sumetimais prietaisas užblokuotas, operatorius jį gali atblokuoti naudodamasis „ONE-KEY™“ taikomąja programa.

## 1.8 AKUMULIATORIAI

Ilgesnį laiką nenaudotus akumulatorius prieš naudojimą įkraukite.

Aukštesnė nei 50 °C temperatūra mažina akumulatoriaus galią. Venkite ilgesnio saulės ar šilumos šaltinio poveikio.

Įkroviklio ir akumulatoriaus jungiamieji kontaktai visada turi būti švarūs.

Kad akumulatorius kuo ilgiau veiktų, pasinaudoję prietaisu iki galo įkraukite akumulatorių.

Siekiant užtikrinti kuo ilgesnį akumulatoriaus naudojimo laiką, įkrovus reikėtų iškart išimti iš įkroviklio.

Akumuliatorių laikant ilgiau nei 30 dienų:

akumuliatorių laikyti sausoje aplinkoje, žemesnėje nei 27 °C temperatūroje.

Akumulatoriaus įkrovimo lygis turi būti 30–50 % .

Akumulatorius pakartotinai turi būti įkraunama kas 6 mėnesius.

## 1.9 Ličio jonų akumuliatorių pervežimas

Ličio jonų akumuliatoriams taikomos įstatyminės nuostatos dėl pavojingų krovinių pervežimo.

Šiuos akumulatorius pervežti būtina laikantis vietinių, nacionalinių ir tarptautinių direktyvų ir nuostatų.

- Naudotojai šiuos akumulatorius gali transportuoti keliais nesilaikydami jokių kitų sąlygų.
- Už komercinį ličio jonų akumuliatorių pervežimą atsako transporto įmonė pagal pavojingų krovinių pervežimo nuostatas. Pasiruošimo išsiųsti ir pervežimo darbus gali atlikti tik atitinkamai išmokyti asmenys. Visą procesą privalo prižiūrėti specialistai.

Pervežant akumulatorius būtina laikytis šių punktų:

- siekiant išvengti trumpųjų jungimų, įsitikinkite, kad kontaktai yra apsaugoti ir izoliuoti.
- Atkreipkite dėmesį, kad akumulatorius pakuotės viduje neslidinėtų.
- Draudžiama pervežti pažeistus akumulatorius, iš kurių teka skystis.

Išsamesnių nurodymų kreipkitės į savo transporto įmonę.

## 1.10 Techninė priežiūra

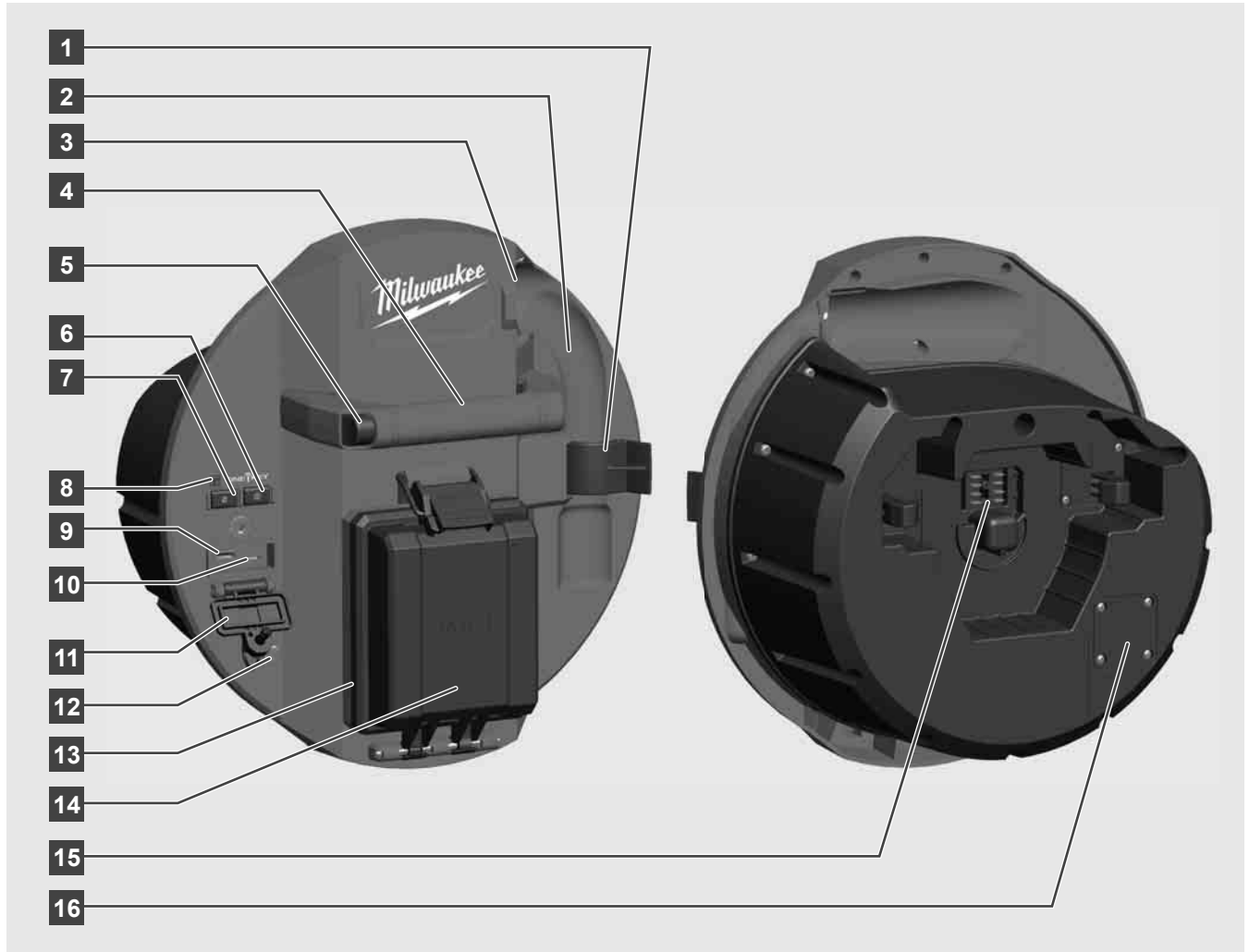
Naudokite tik „Milwaukee“ priedus ir atsargines dalis. Konstrukcines dalis, kurių keitimas neaprašytas, leidžiama keisti tik „Milwaukee“ klientų aptarnavimo skyriui (žr. garantijos lankstinuką / klientų aptarnavimo skyrių adresus ).

Jei reikia, nurodžius prietaiso modelį ir šešiaženklį numerį, esantį specifikacijų lentelėje, iš klientų aptarnavimo skyriaus arba tiesiogiai iš „Techtronic Industries GmbH“, Max-Eyth-Str. 10, 71364 Winnenden, Vokietija, galite užsakyti erdvinį prietaiso brėžinį.

## 1.11 Simboliai

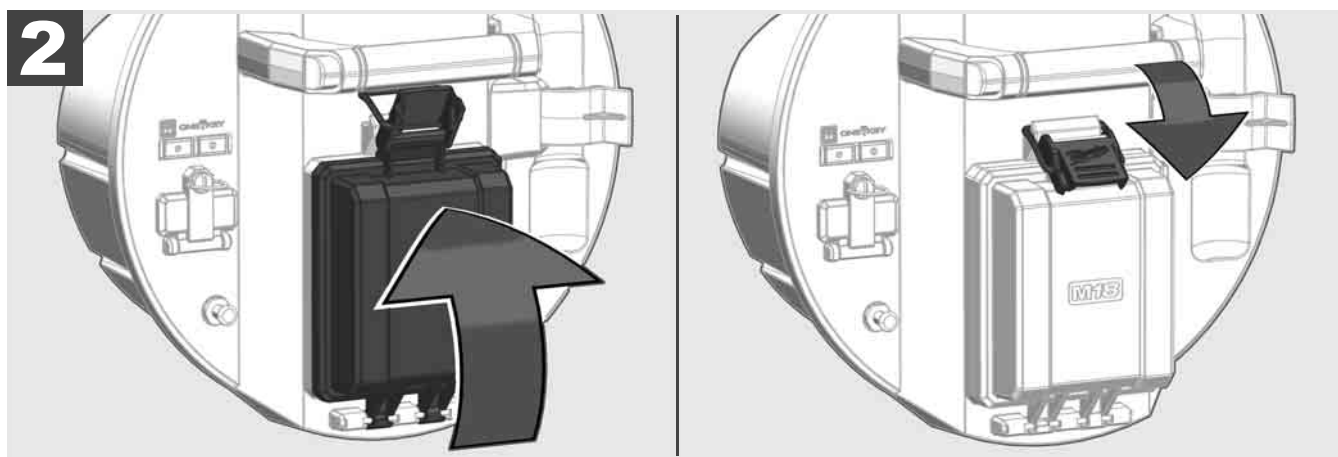
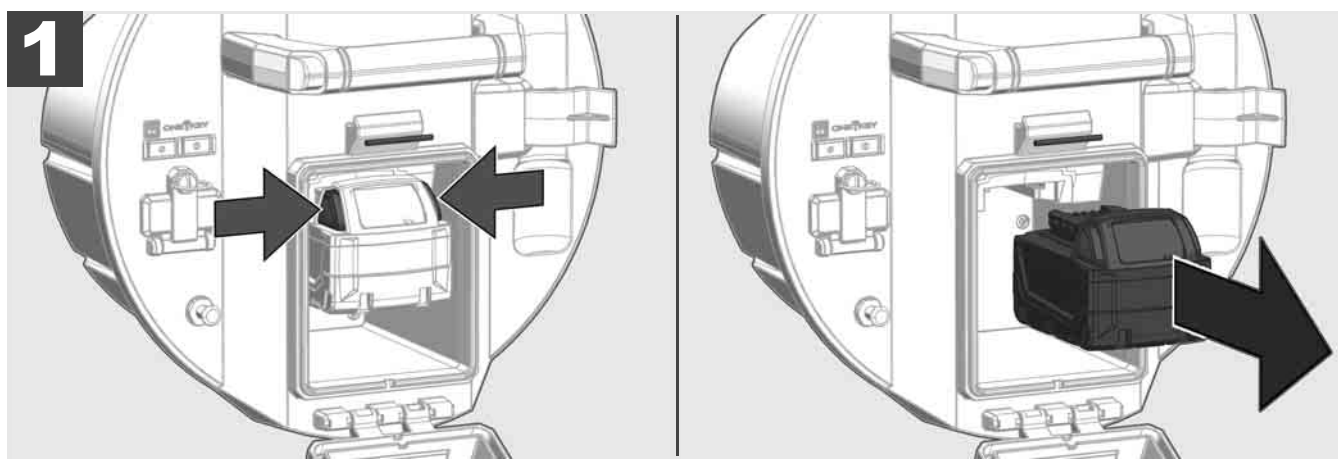
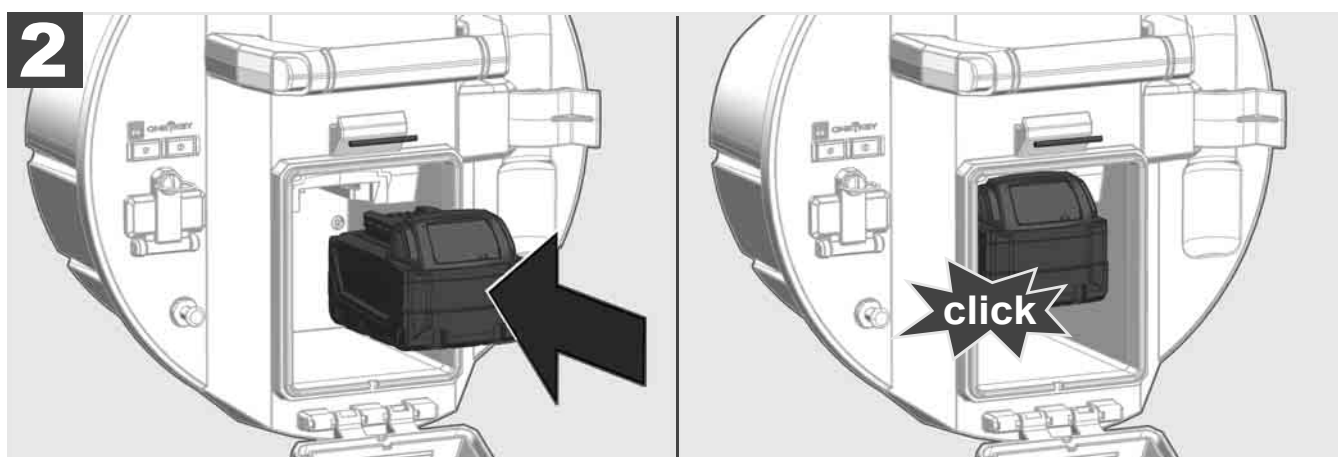
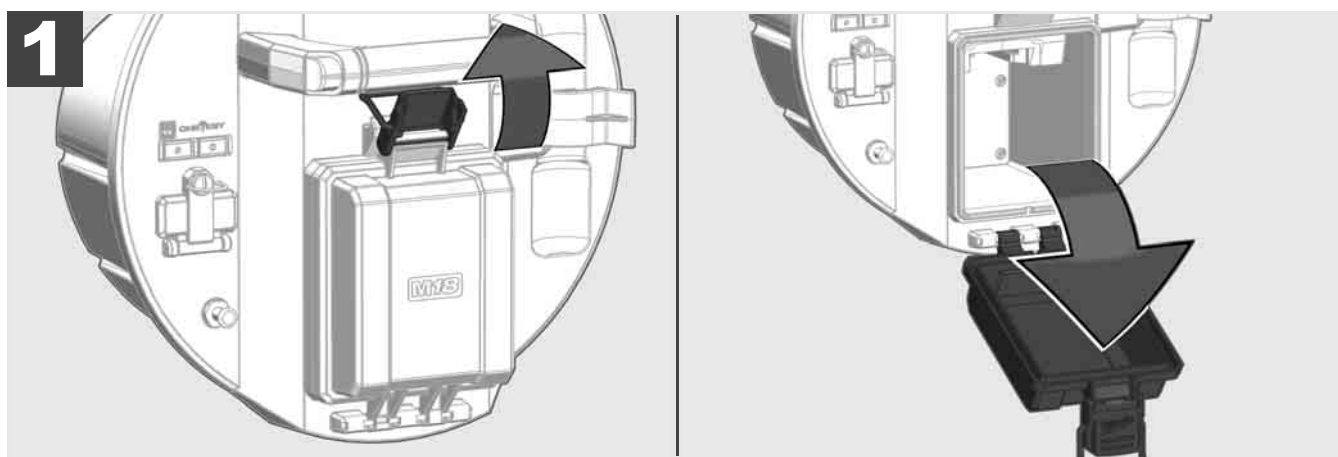
	DĖMESIO! ĮSPĖJIMAS! PAVOJUS!
	Prieš atlikdami bet kokius darbus su prietaisu , išimkite akumuliatorių.
	Prieš pradėdami dirbti su prietaisu, atidžiai perskaitykite jo naudojimo instrukciją.
	Mūvėkite apsaugines pirštines!
	Dirbdami su prietaisu visada nešiokite apsauginius akinius.
	Elektros prietaisų, baterijų / akumuliatorių šalinti kartu su buitinėmis atliekomis negalima. Elektros prietaisus ir akumuliatorius reikia surinkti atskirai ir atiduoti perdirbimo įmonei, kad būtų pašalinti aplinkai saugiu būdu. Vietos valdžios institucijose arba specializuotose prekybos vietose pasidomėkite apie perdirbimo ir surinkimo centrus.
	Įtampa
	Nuolatinė srovė
	Europos atitikties ženklas
	Jungtinės Karalystės atitikties ženklas
	Ukrainos atitikties ženklas
	Eurazijos atitikties ženklas

### 2.1 „Smart Hub“ M18 SISH apžvalga



- 1 Spyruoklės apsaugos spaustuko reikia tam, kad gabenant apsaugotų spyruoklę ir kamerą.
- 2 Spyruoklės įduba laiko spyruoklę ir kamerą transportuojant ir laikant vietoje.
- 3 Laido kreiptuvą, per kurį prieš užfiksuojant „Smart Hub“ įvedama spyruoklė ir stumiamasis kabelis.
- 4 Rankena
- 5 Atblokavimo mygtuką paspauskite tuomet, kai norite „Smart Hub“ atjungti nuo vamzdžių patikros sistemos ritės.
- 6 Pagrindinį jungiklį trumpai paspauskite vieną kartą, kad įjungtumėte prietaisą, arba laikykite nuspaustą, kad prietaisą išjungtumėte.
- 7 Mygtukas „Laido ilgio nustatymas iš naujo“ vėl nustato nulinį nuvynioto kabelio ilgį.
- 8 ONE-KEY šviesos diodo indikatorius
- 9 USB-A prievadas naudojamas tiesiogiai įrašyti vaizdo įrašus ir nuotraukas bei mikroprograminei įrangai naujinti.
- 10 USB-C prievadas – tai pasirenkamoji maitinimo ir duomenų perdavimo jungtis belaidžiam monitoriui M18 SIM prie „Smart Hub“ prijungti.
- 11 Vandeniui atsparus USB jungties dangtelis, apsaugantis USB jungtis nuo dulkių ir drėgmės.
- 12 Įžeminimo strypas „Smart Hub“ įžeminti sekant stumiamąjį kabelį.
- 13 Vandeniui atsparus akumuliatoriaus dangtelis, apsaugantis akumuliatorių nuo dulkių ir drėgmės.
- 14 Akumuliatoriaus skyrius M18™ akumuliatoriui
- 15 „Smart Hub“ ir vamzdžių patikros ritės sujungimo jungtis.
- 16 Kameros bandymo prievadas klaidoms šalinti, kai kyla problemų dėl kameros galvutės

## 2.2 Akumuliatoriaus įstatymas ir išėmimas



## 2.3 Patikrinti akumuliatoriaus įkrovos būklę



78-100 %



55-77 %



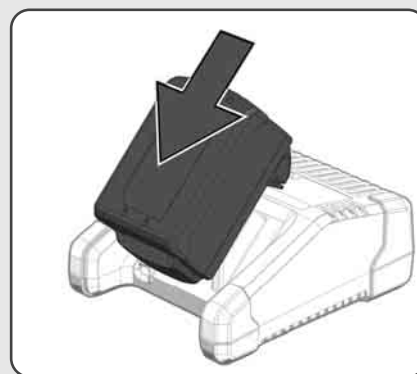
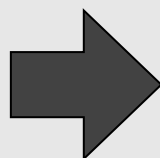
33-54 %

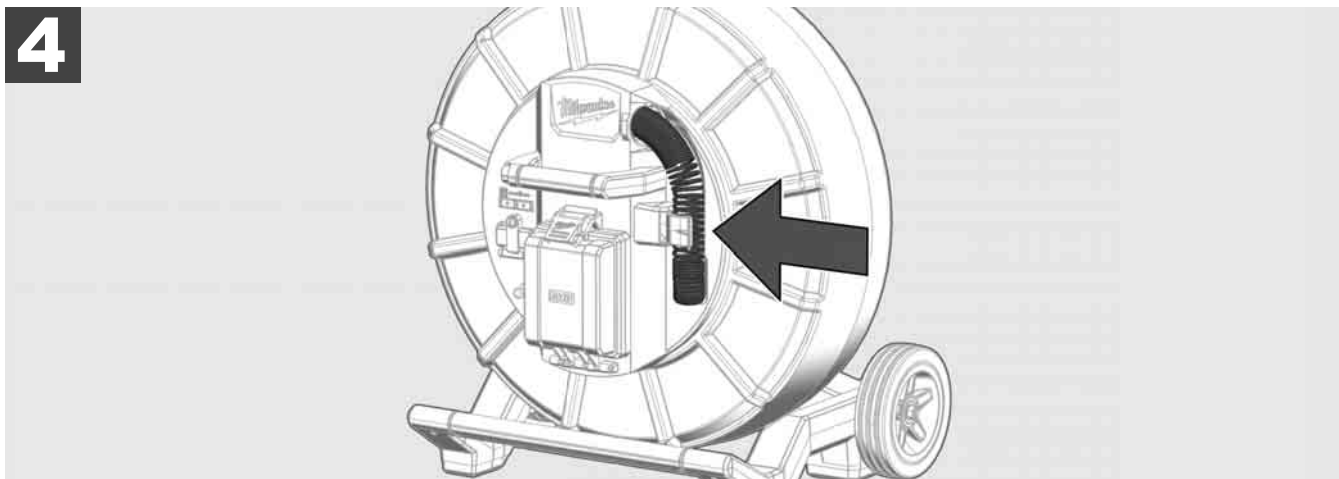
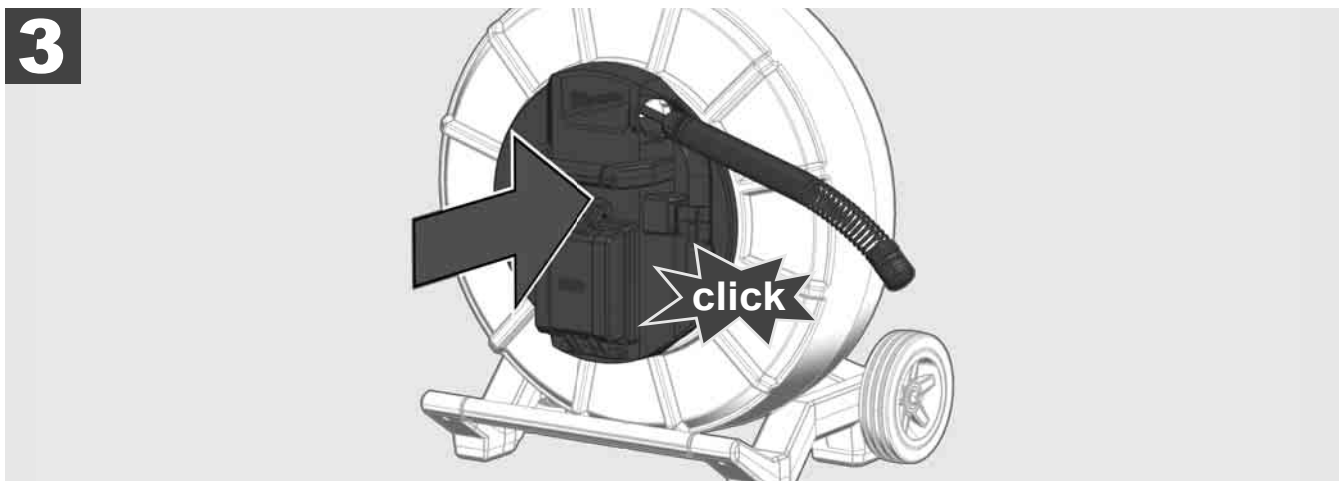
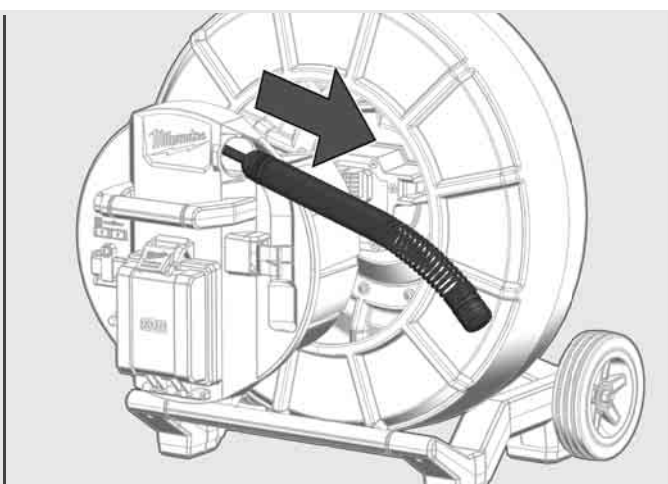
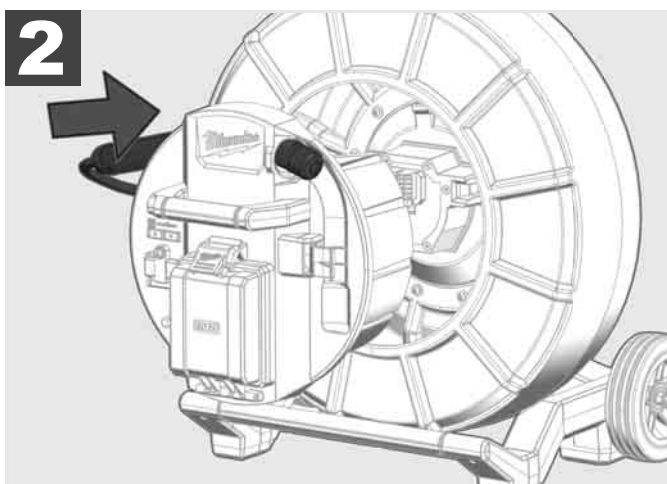
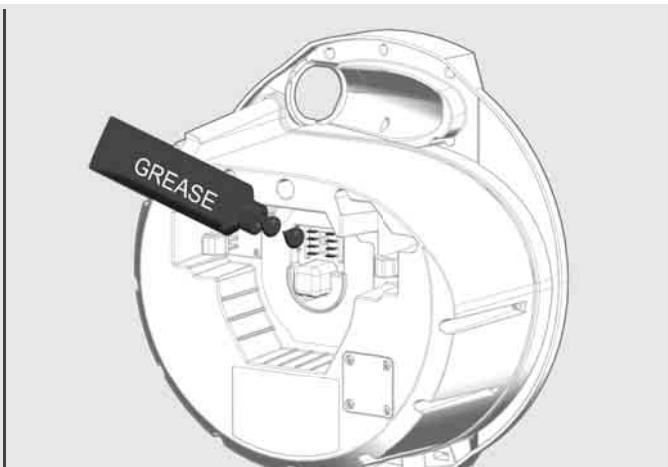
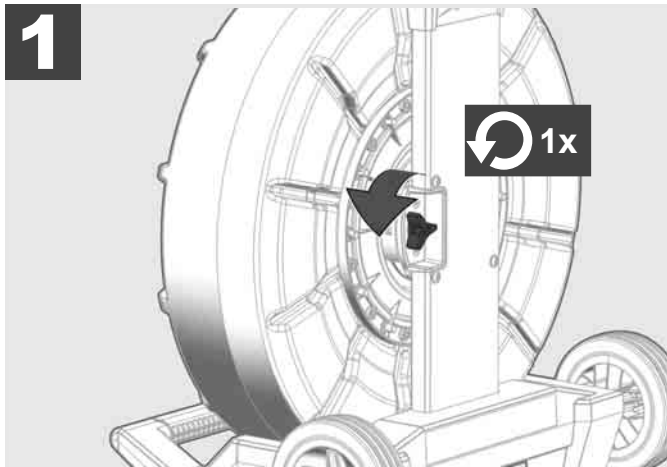


10-32 %



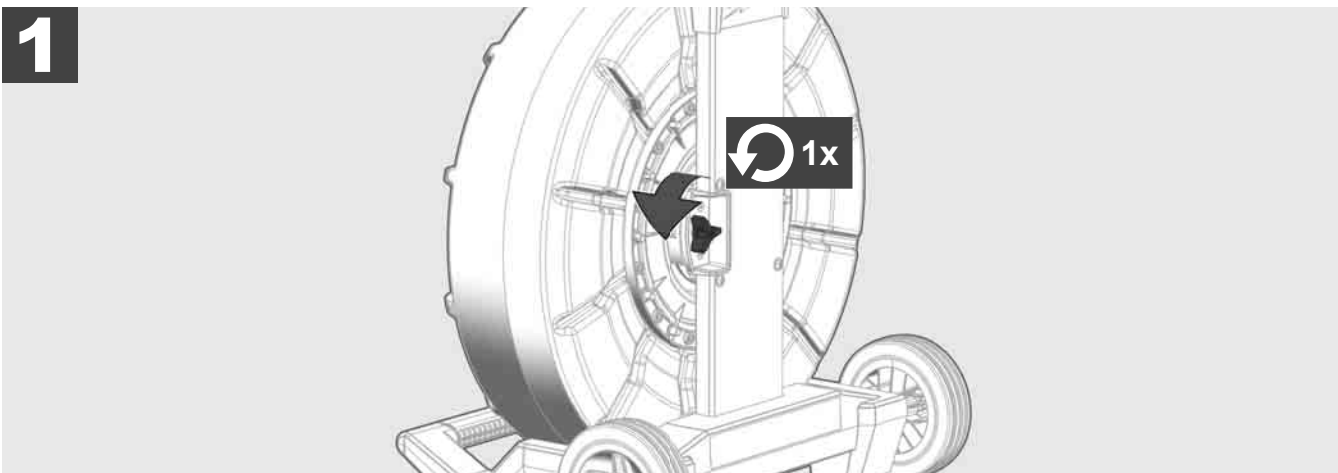
< 10 %



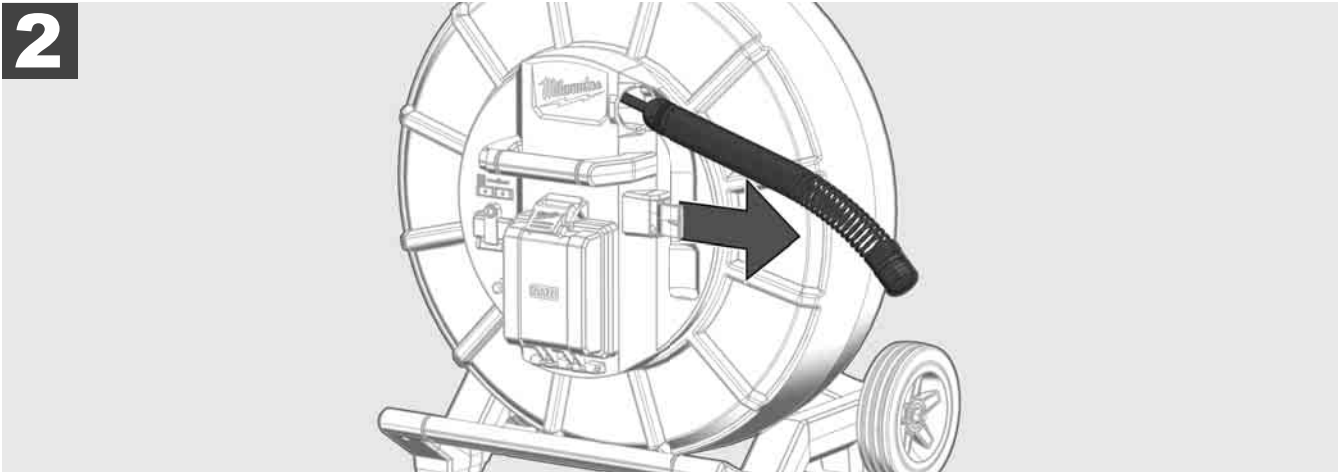




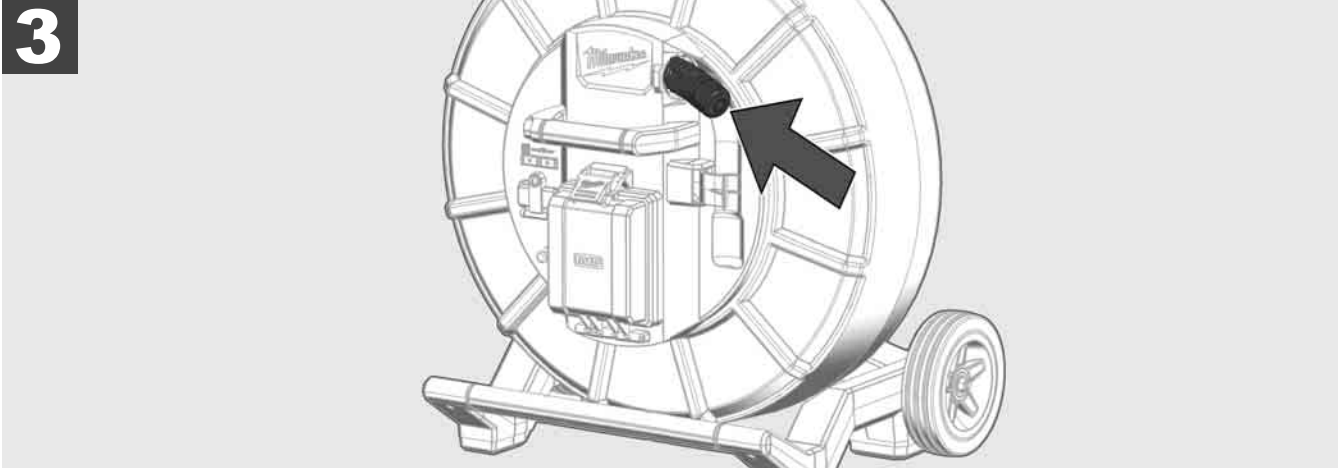
**1**



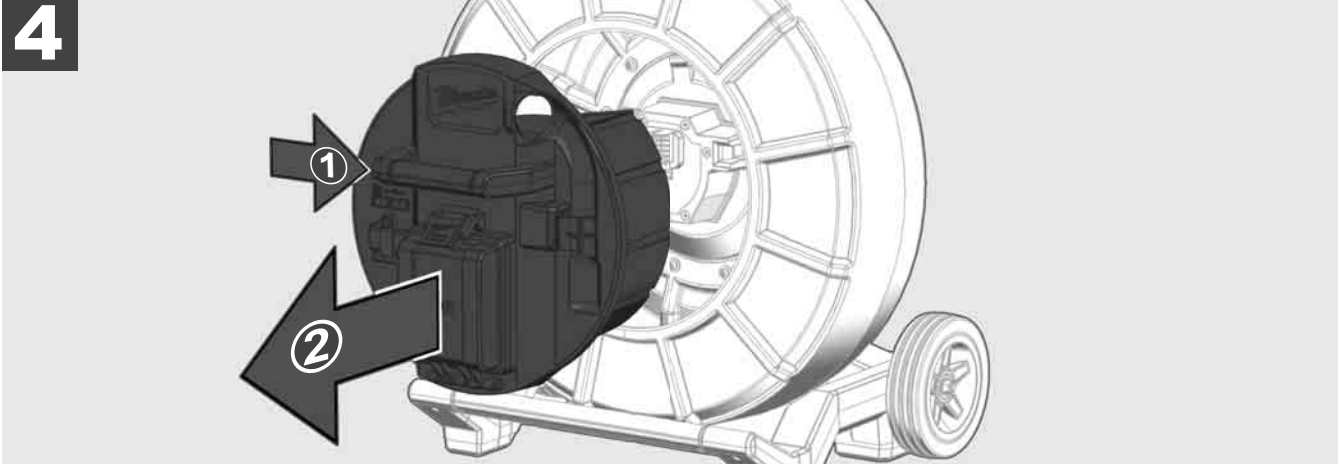
**2**



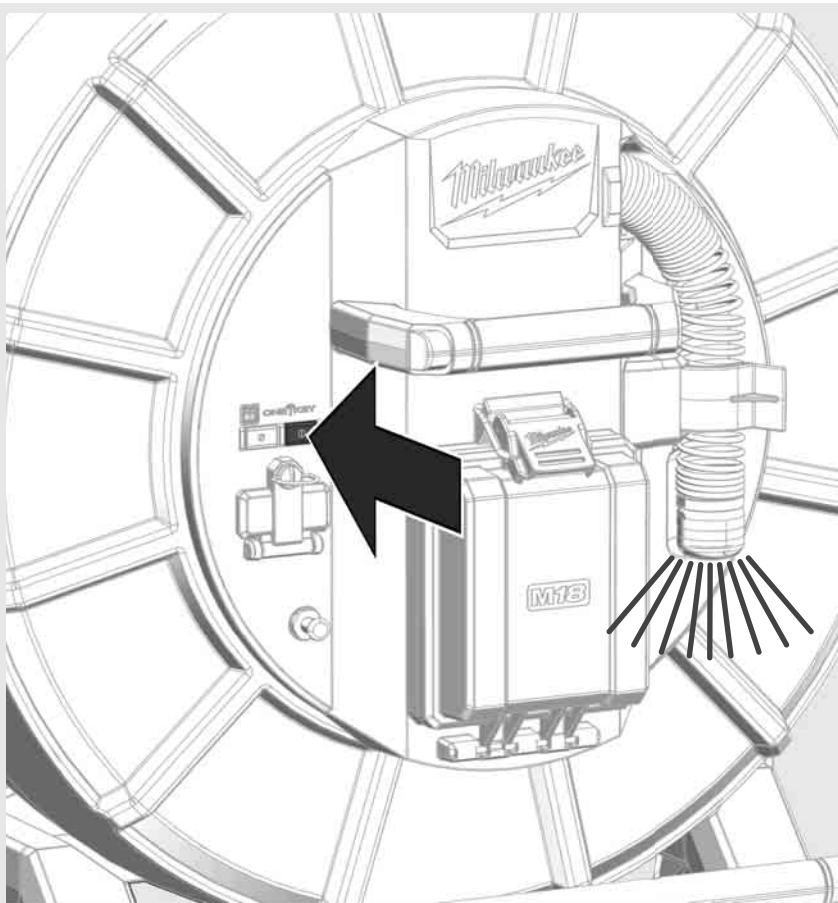
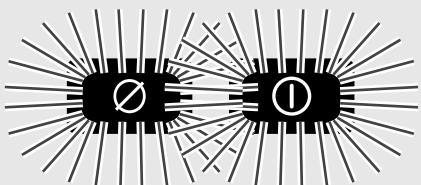
**3**



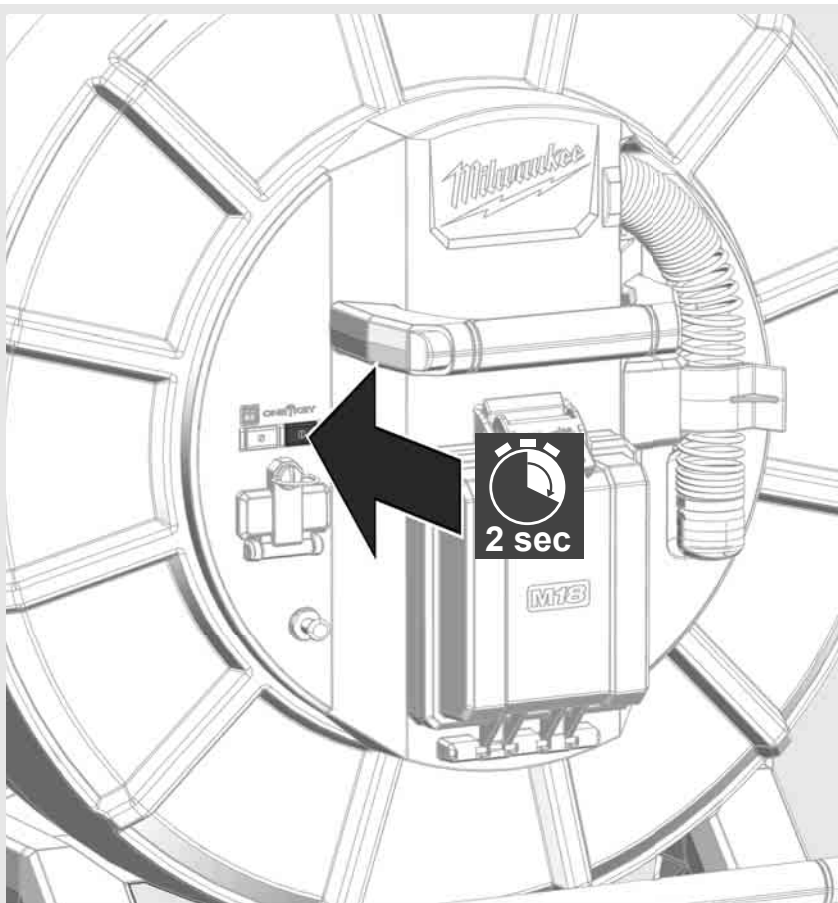
**4**



# ON



# OFF





## 2.7 Monitoriaus prijungimas

Kad pakeistumėte VAMZDŽIŲ PATIKROS SISTEMOS nustatymus, galėtumėte valdyti jos funkcijas ir peržiūrėti kamera nufotografuotas nuotraukas bei nufilmuotus vaizdo įrašus, reikia išorinio indikacinio prietaiso.

Išorinio indikacinio prietaiso VAMZDŽIŲ PATIKROS SISTEMOS komplekte nėra, jį reikia įsigyti atskirai.

Galite pasirinkti:

- „MILWAUKEE“ BELAIDIS MONITORIUS M18 SIM;
- planšetė arba išmanusis telefonas, kuriame įdiegta „MILWAUKEE“ VAMZDŽIŲ PATIKROS TAIKOMOJI PROGRAMA.

BELAIDĮ MONITORIŲ prie VAMZDŽIŲ PATIKROS SISTEMOS galite prijungti naudodamiesi WLAN arba USB-C jungtimi ir ji bus iš karto paruošta naudoti. Jei naudosite planšetę arba išmanųjį telefoną, pirmiausia atitinkamame prietaise turite įdiegti VAMZDŽIŲ PATIKROS TAIKOMĄJĄ PROGRAMĄ.

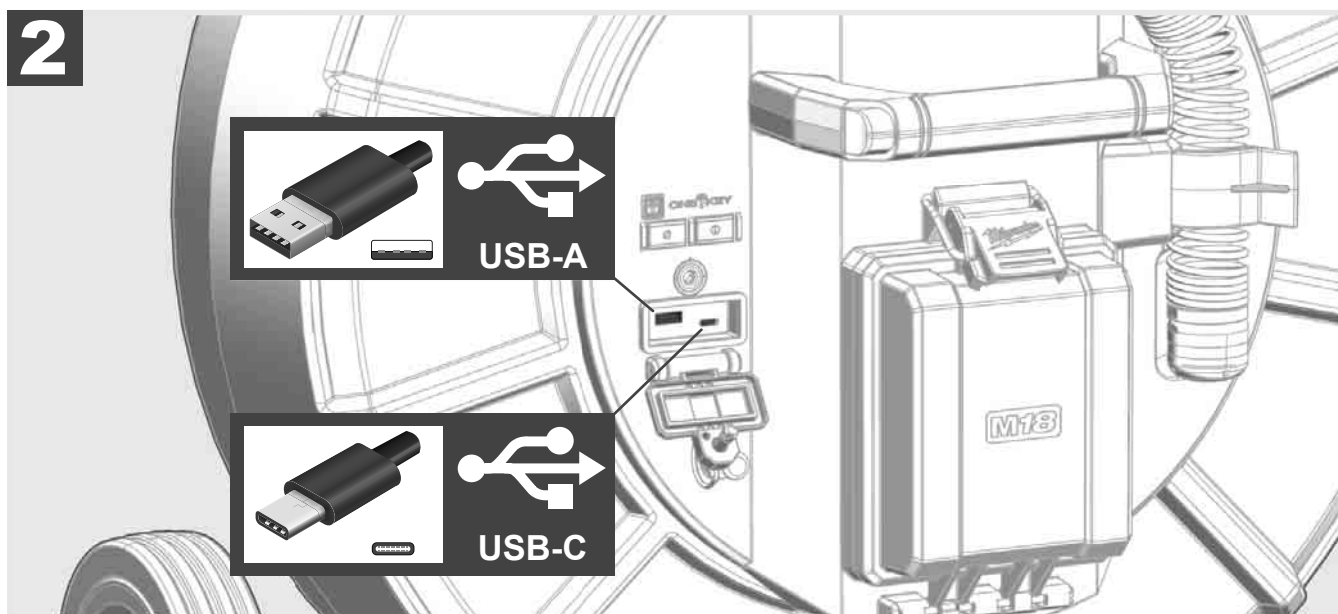
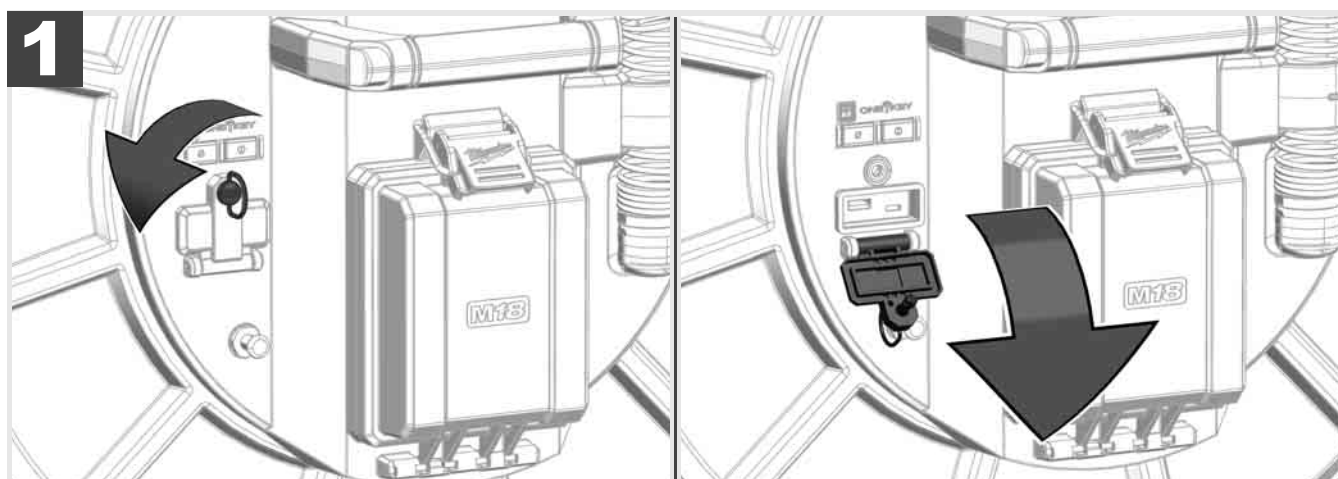
### **„MILWAUKEE“ BELAIDŽIO MONITORIAUS M18 SIM NAUDOJIMAS PIRMĄ KARTĄ:**

1. Įjunkite „SMART HUB“ ir BELAIDĮ MONITORIŲ.
2. BELAIDIS MONITORIUS prie „SMART HUB“ automatiškai prijungiamas per 25 sekundes.

\*Kad prijungtumėte laidą, monitorių prie „Smart Hub“ junkite naudodami USB-C laidą.

### **PIRMASIS NAUDOJIMAS SU IŠMANIUOJU TELEFONU ARBA PLANŠETE:**

1. Parsisiųskite ir įdiekite „MILWAUKEE“ VAMZDŽIŲ PATIKROS TAIKOMĄJĄ PROGRAMĄ.
2. Įjunkite „SMART HUB“ ir indikacinį prietaisą.
3. Pasirinkite parinktį „Nuostatos“ > WLAN.
4. Pasirinkite parinktį MTCAM\_[LAST 9 DIGITS OF HUB SERIAL #].
5. Įveskite slaptažodį: 29702000
6. Paleiskite „MILWAUKEE“ VAMZDŽIŲ PATIKROS TAIKOMĄJĄ PROGRAMĄ.

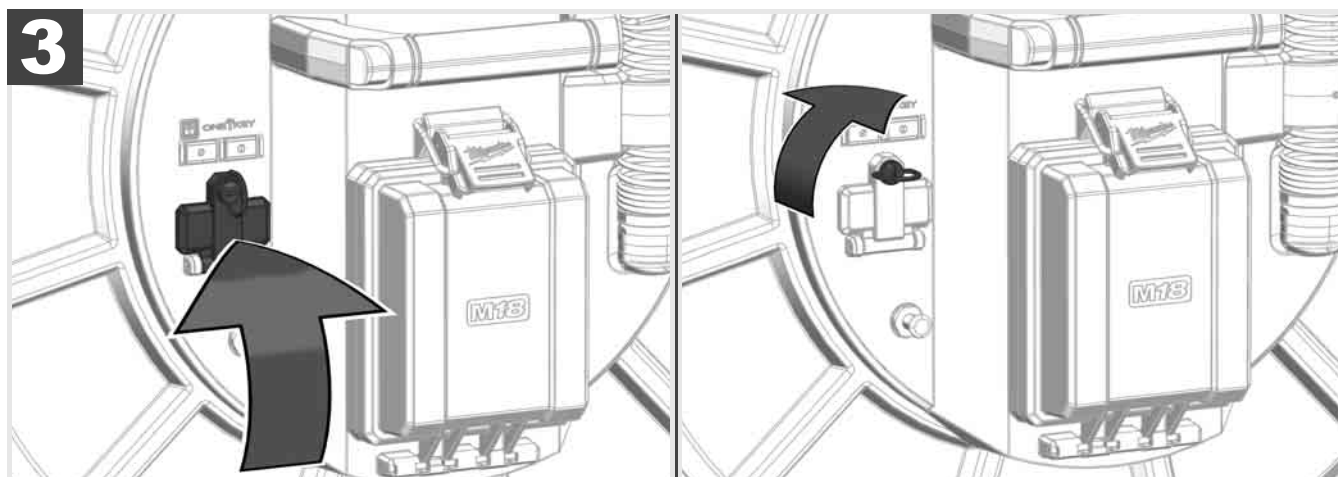


### USB-A

- Prievadas, skirtas naudoti įprastai. Suteikia galimybę tiesiogiai įrašyti vaizdo įrašų arba nuotraukų failus arba leidžia juos perkelti iš „Smart Hub“ vidinio disko.
- Suteikia galimybę atnaujinti „Smart Hub“ mikroprograminės įrangos versiją.

### USB-C

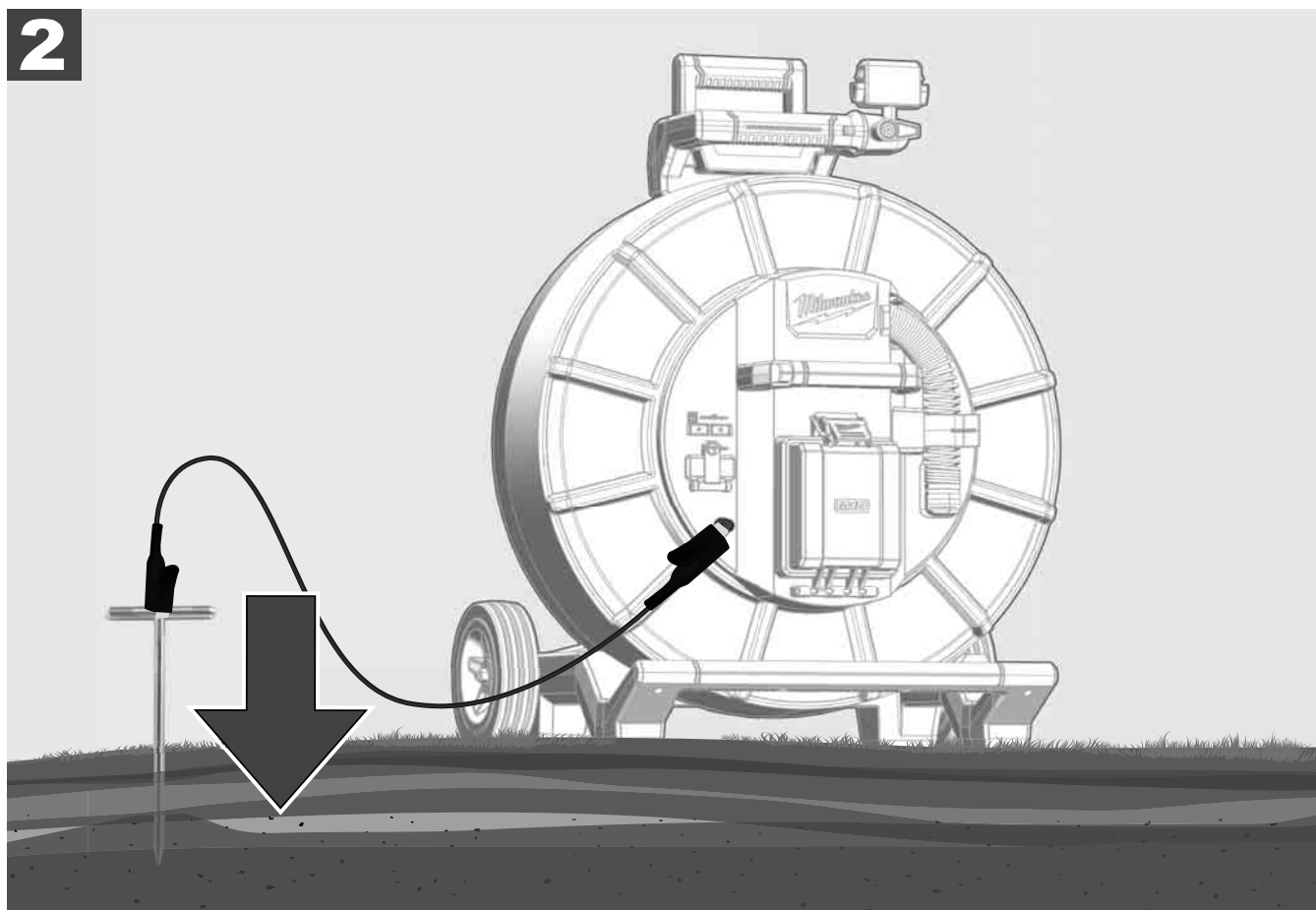
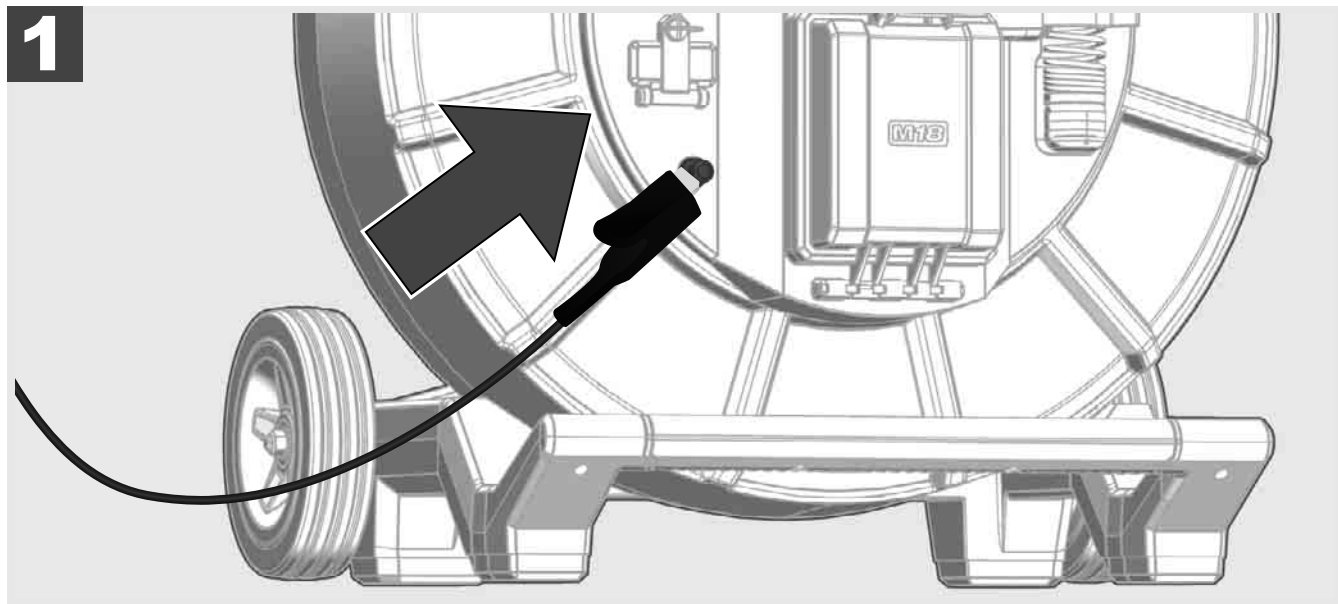
- Leidžia sujungti belaidį monitorių M18 SIM ir „Smart Hub“ nenaudojant WLAN ryšio. Kai akumuliatorius neįkrautas, įtampa „Smart Hub“ tiekama per belaidį monitorių M18 SIM arba atvirkščiai.



## 2.9 Įžeminimo strypas




Įžeminimo strypą visuomet privalote naudoti, kai sekate stumiamąjį kabelį, naudodami funkciją KABELIO SEKIMAS. Reikia įžeminti „Smart Hub“, kad būtų izoliuota srovės kilpa ir kad būtų siunčiamas tinkamas vietos nustatymo signalas. „Smart Hub“ įžeminkite komplekte esančiu įžeminimo laidu su įžeminimo strypu.

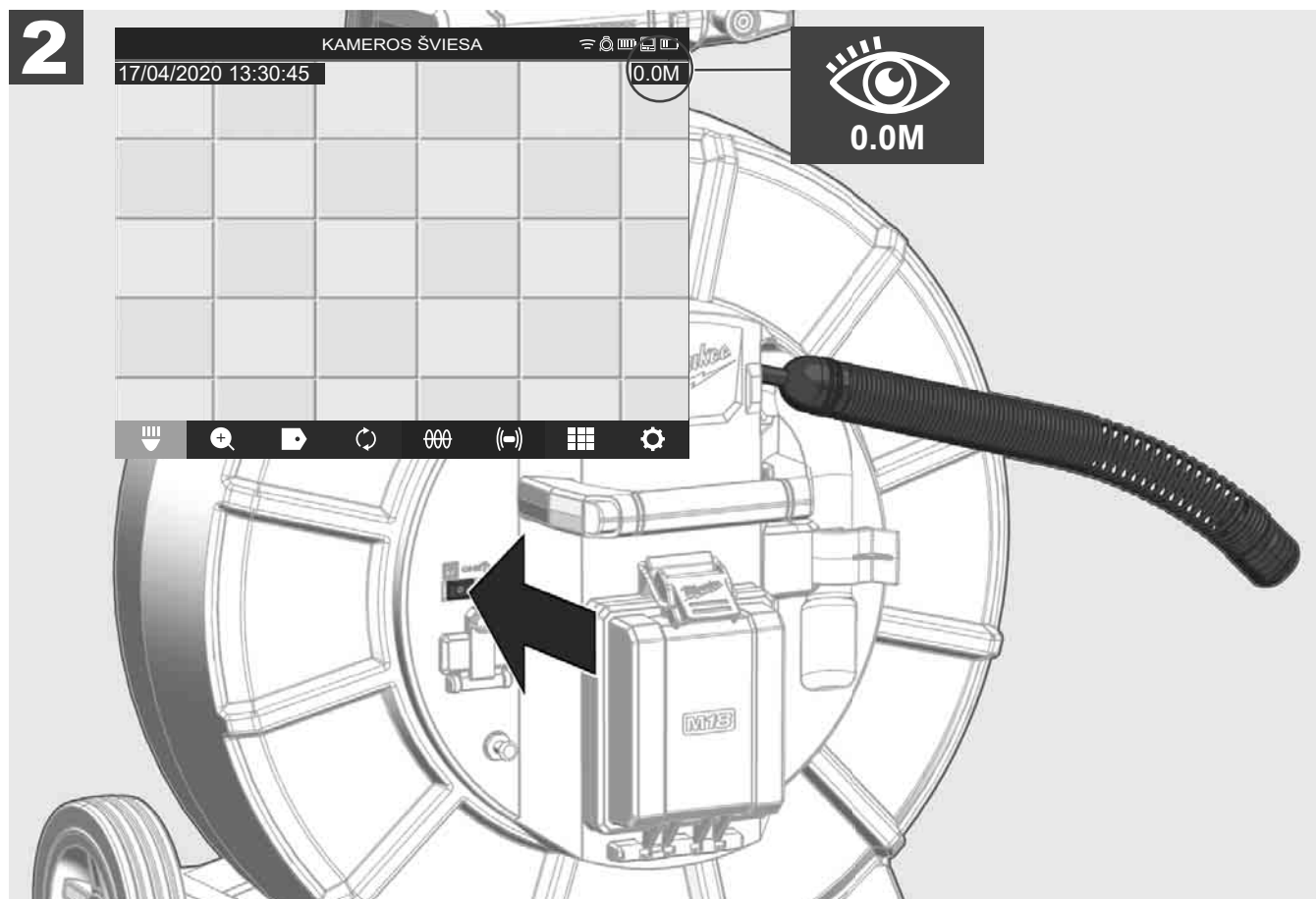
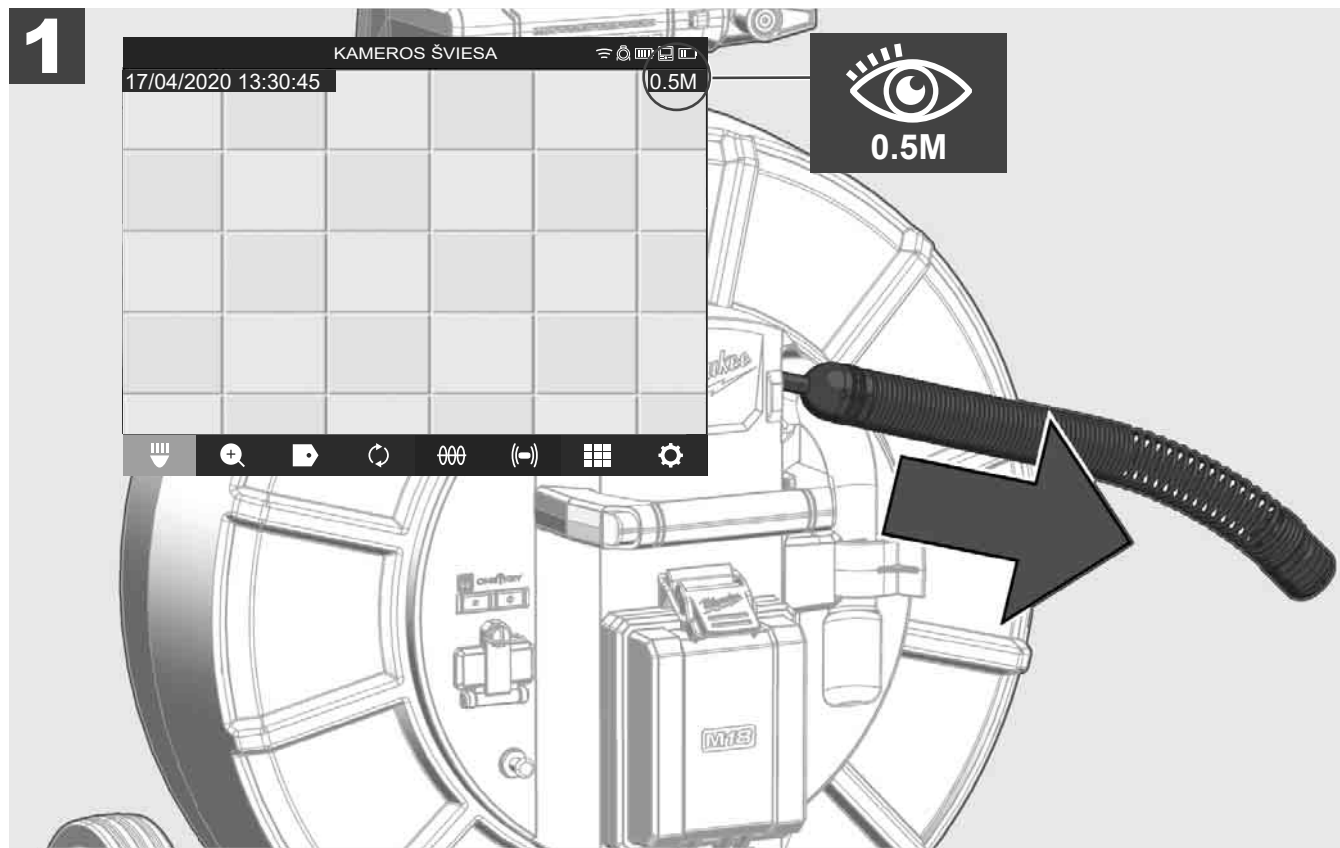


## 2.10 Ilgio skaitiklio nustatymas iš naujo



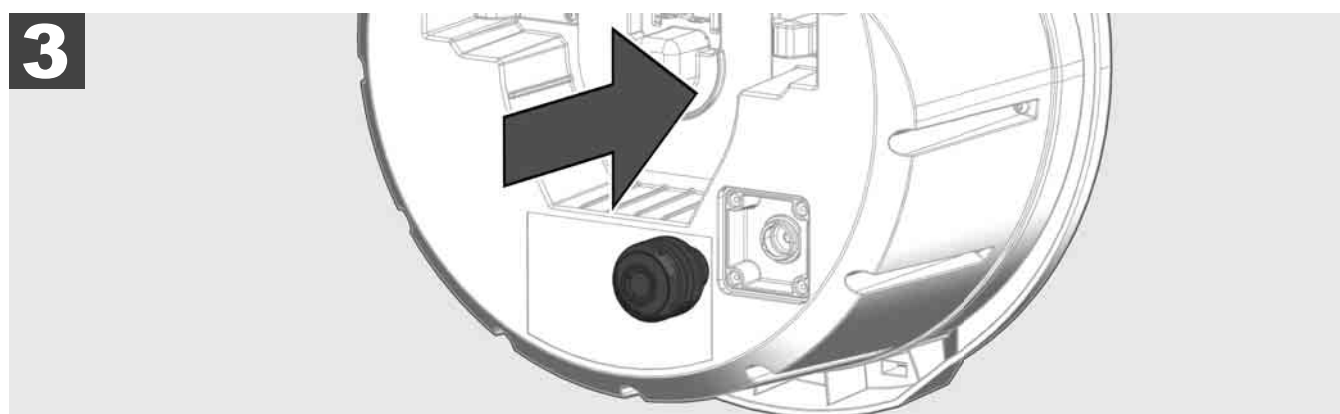
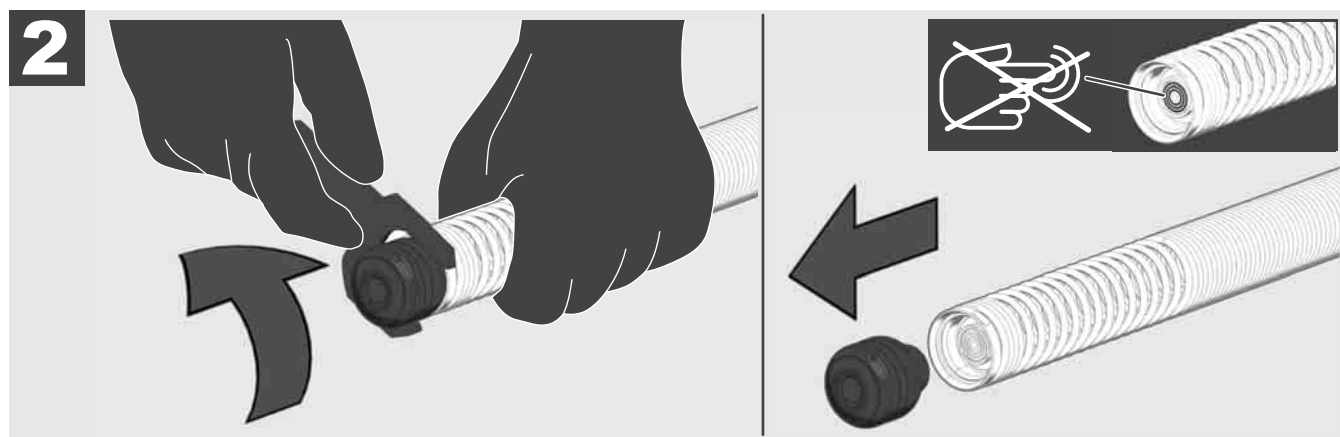
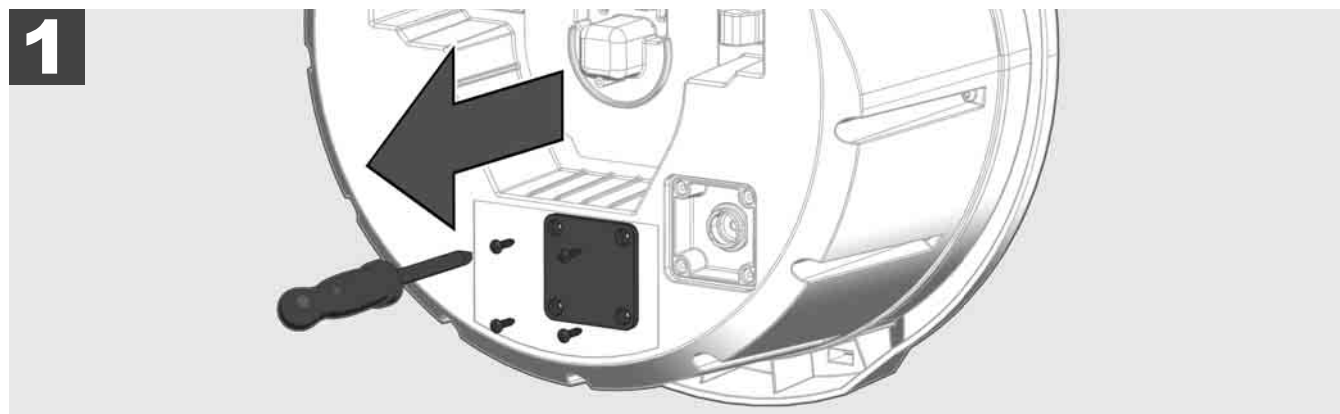
Nuvyniojant nuo VAMZDŽIŲ PATIKROS RITĖS belaidžiame monitoriuje M18 SIM būsenos eilutėje rodomas nuvynioto kabelio ilgis.

Norėdami nustatyti rodmenį iš naujo, paspauskite mygtuką .




## 2.11 Kameros bandymo jungtis

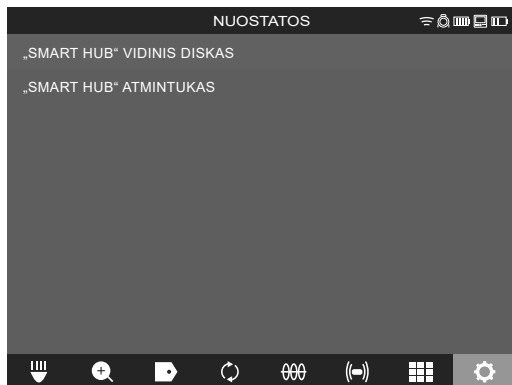
Jei kiltų problemų dėl kameros galvutės, kamerą galima patikrinti naudojant bandymo jungtį.



## 2.12 Vidinio disko ir atmintuko formatavimas

Naudodami šią funkciją galite formuoti 500 GB talpos „Smart Hub“ vidinį diską arba atmintuką. Atmintukai turi būti suformatuoti FAT32 formatu.

1. Pasirinkite **NUOSTATOS**  **FORMATUOTI SAUGYKLĄ**
2. Pasirinkite saugyklą.



3. Patvirtinkite pranešimą ekrane.



Pasirinktas diskas formatuojamas ir sistemoje perjungiamas meniu **NUOSTATOS**.

## 2.13 Gamyklinės nuostatos

Pasirinkus funkciją „Gamyklinės nuostatos“, iš naujo nustatomos „Smart Hub“ M18 SISH gamyklinės nuostatos.

Iš naujo nustatomos šios „Smart Hub“ M18 SISH nuostatos:

- Ištrinamos ETIKETĖS.
- VAIZDO ir NUOTRAUKŲ nuostatose iš naujo nustatoma 1080 P.
- Ištrinamas ĮMONĖS PAVADINIMAS.
- Iš naujo nustatoma gamyklinė ZONDO DAŽNIO nuostata.
- Iš naujo nustatoma gamyklinė KABELIO SEKIMO nuostata.
- Iš naujo nustatomos šių EKRANO NUOSTATŲ gamyklinės nuostatos: atspalvis, skaištis, kontrastas, sotis.
- MATAVIMO VIENETAI

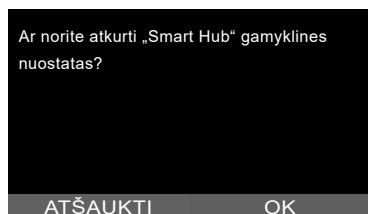
1. Pasirinkite **NUOSTATOS**  **GAMYKLINĖS NUOSTATOS**



2. Pasirinkite **GAMYKLINĖS NUOSTATOS** „Smart Hub“ M18 SISH.



3. Perskaitykite ir patvirtinkite nustatymo iš naujo pranešimą paspausdami GERAU.



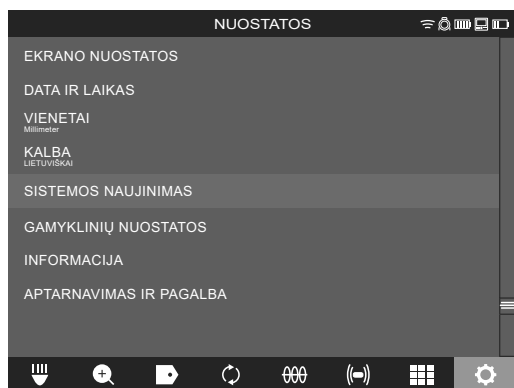
Gamyklinės nuostatos nustatytos iš naujo ir sistemoje perjungiamas pomeniu **GAMYKLINĖS NUOSTATOS**.

## 2.14 Sistemos naujinimas

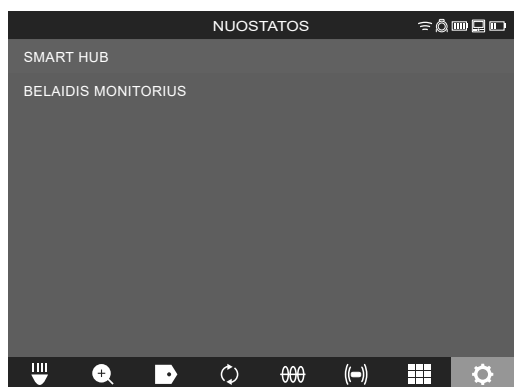
Prieš naujindami sistemą, atidarykite meniu **NUOSTATOS** → **INFORMACIJA** ir užsirašykite esamą mikroprograminės įrangos versiją.

Atnaujinti mikroprograminės įrangos versiją galite naudodami belaidį monitorių M18 SIM arba planšetėje įdiegtą „Milwaukee®“ vamzdžių patikros taikomąją programą.

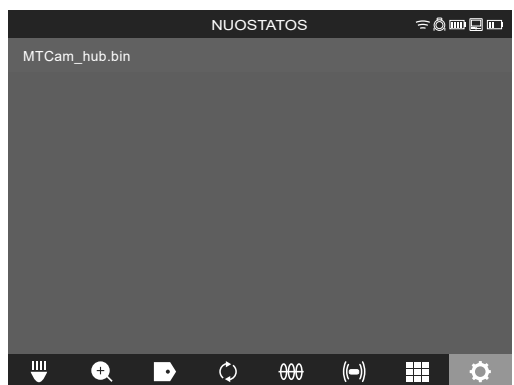
1. Įjunkite „Smart Hub“ M18 SISH ir belaidį monitorių M18SIM arba planšetę, kurioje įdiegta „Milwaukee®“ vamzdžių patikros taikomoji programa.
2. Įsitikinkite, kad belaidis monitorius M18 SIM arba planšetė prijungta prie „Smart Hub“ M18 SISH naudojant WLAN ryšį. Jei WLAN ryšio nėra, pirmiausiai jį nustatykite.
3. Prijunkite atmintuką su mikroprograminės įrangos versija prie „Smart Hub“ M18 SISH USB-A prievado.
4. Pasirinkite **NUOSTATOS** ⚙️ → **SISTEMOS NAUJINIMAS**



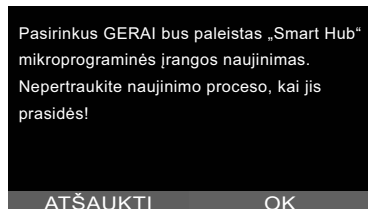
5. Pasirinkite „Smart Hub“ M18 SISH.



6. Ekrane rodomas naujinimo failo pavadinimas. Pasirinkite **FAILO PAVADINIMAS**, kad pradėtumėte naujinimą.

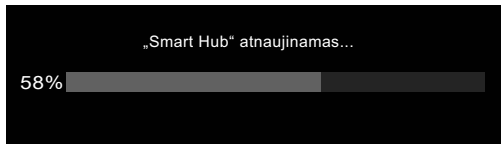


7. Perskaitykite ir patvirtinkite įspėjimą paspausdami GERALI.

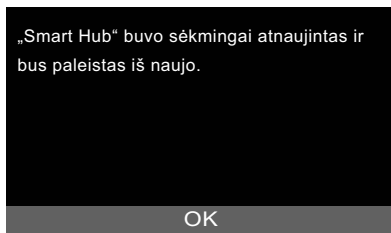




8. Progreso juostoje rodoma naujinimo eiga.



9. Baigus naujinti parodomas pranešimas, kurį privalote patvirtinti. Pasirinkite GERALI, kad sistemą paleistumėte iš naujo.



10. Pasirinkite **NUOSTATOS** → **INFORMACIJA**, kad patikrintumėte, ar buvo atnaujinta mikroprograminės įrangos versija.

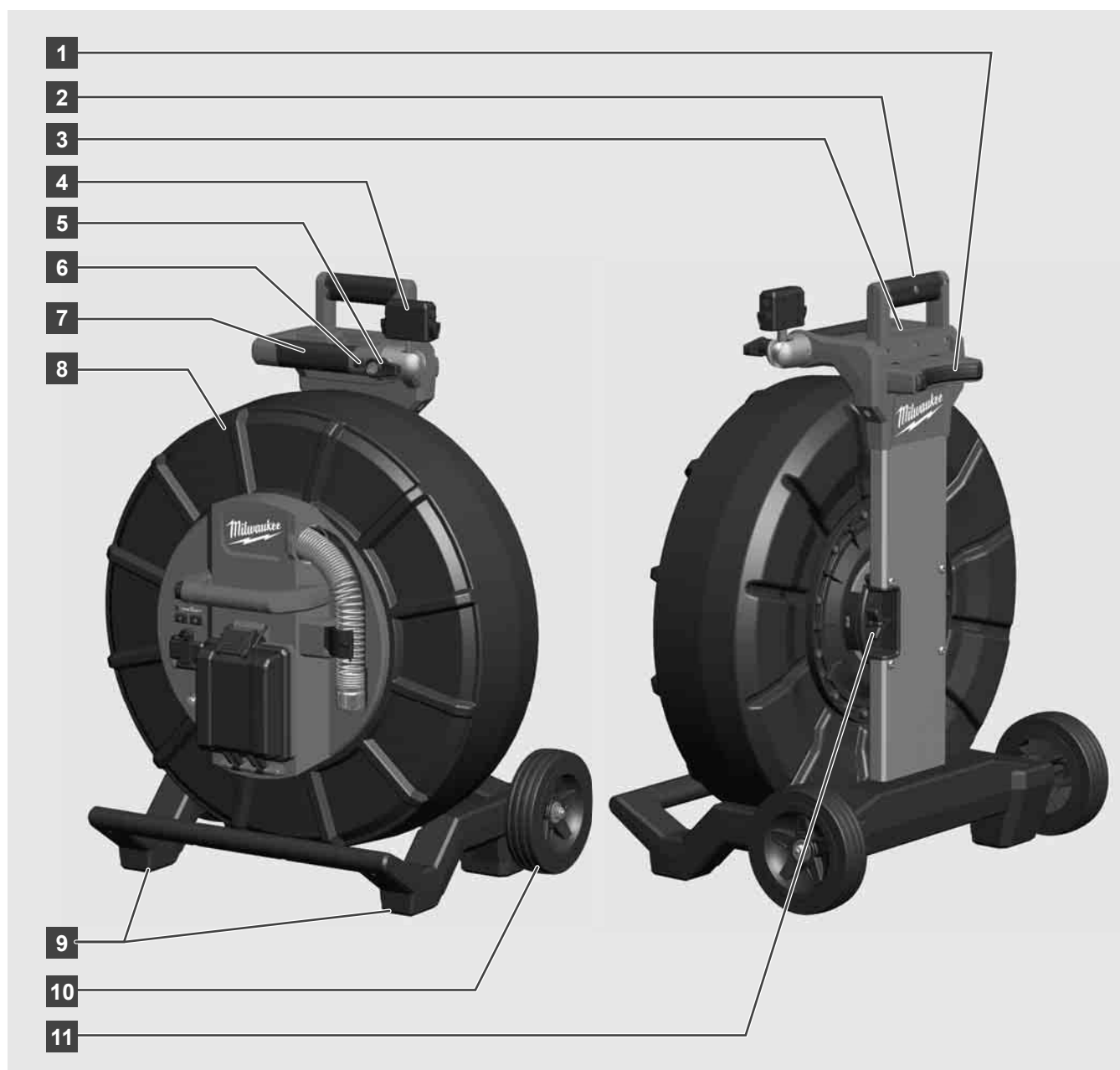
### 3 VAMZDŽIŲ PATIKROS RITĖ

#### 3.1 Vamzdžių patikros ritės M18 SIC36 apžvalga



- 1 Atraminė kojėlė horizontaliam naudojimui
- 2 Belaidis monitorius M18 SIM – planšetės laikiklis ir jungtis
- 3 Belaidis monitorius M18 SIM – apsauga nuo pasisukimo
- 4 Belaidis monitorius M18 SIM – apsauga nuo pakrypimo
- 5 Rankena
- 6 Laido ritė su stumiamuoju kabeliu
- 7 Atraminė kojėlė vertikaliam naudojimui
- 8 Kabelio ritės stabdys
- 9 Atraminė kojėlė horizontaliam naudojimui
- 10 Nešimo įtaisas

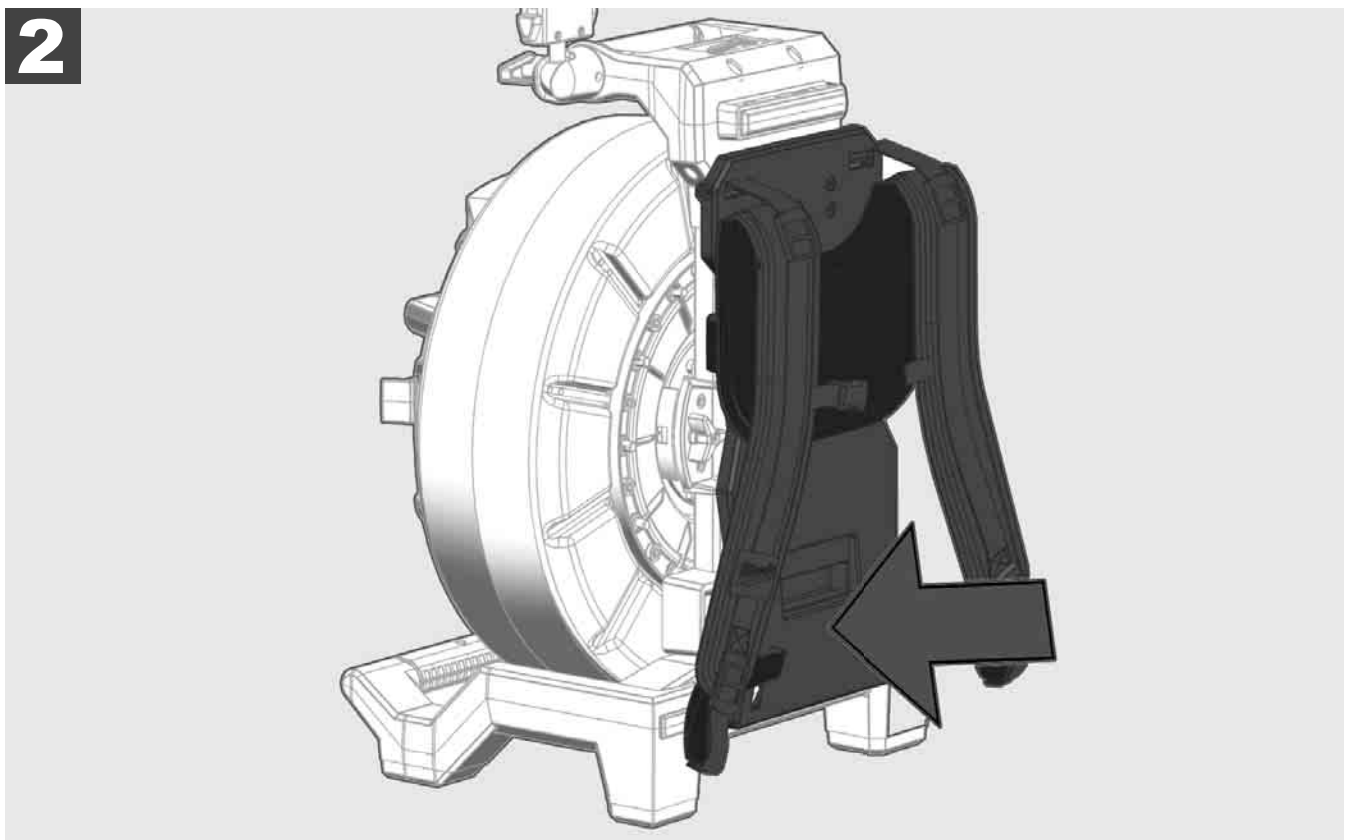
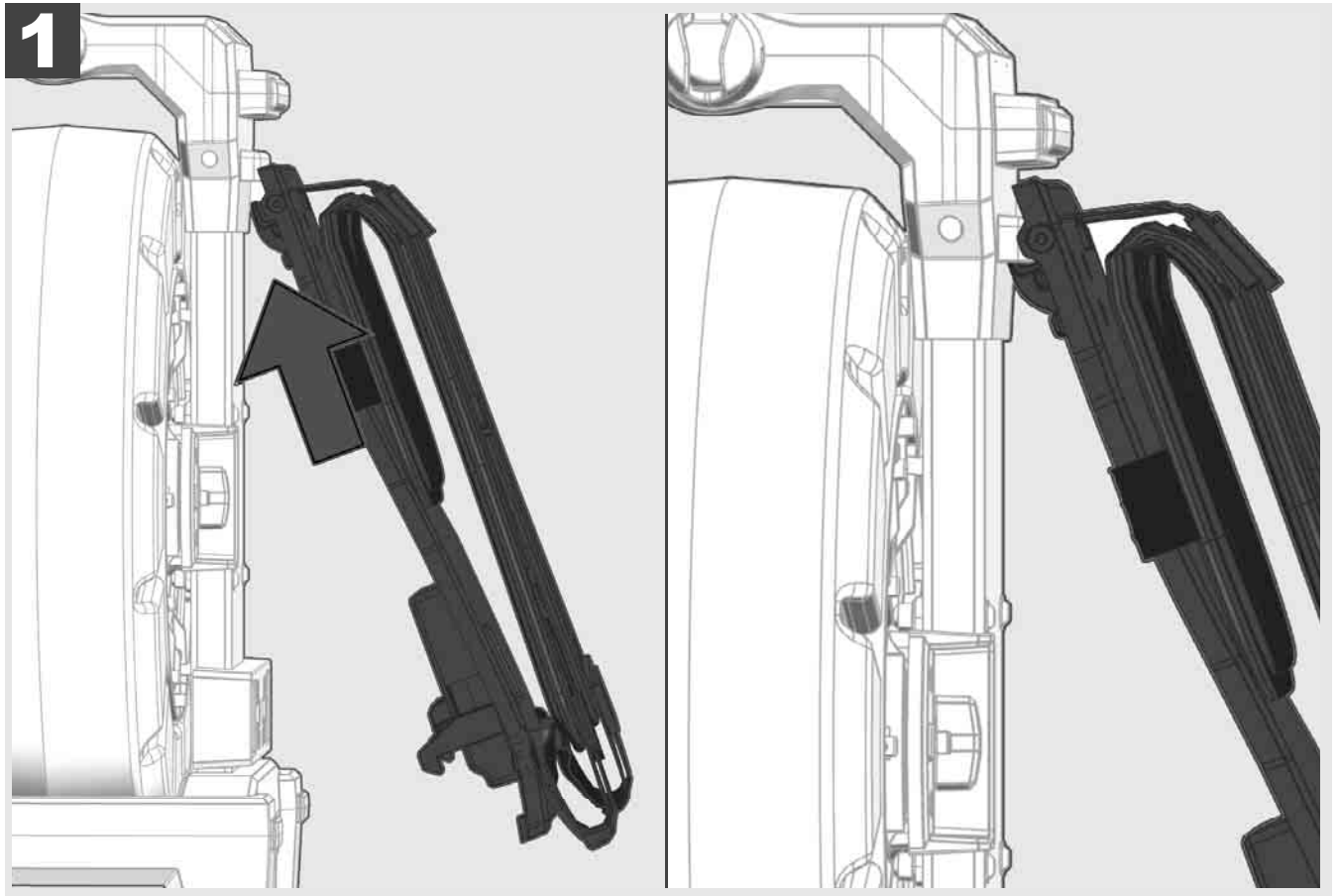
### 3.2 Vamzdžių patikros ritės M18 SIC60 apžvalga



- 1 Atraminė kojėlė horizontaliam naudojimui
- 2 Ištraukiamoji rankena (įtraukta)
- 3 Mygtukas ištraukiamajai rankenai užfiksuoti ir atfiksuoti
- 4 Belaidis monitorius M18 SIM – laikiklis / planšetės laikiklis ir jungtis
- 5 Belaidis monitorius M18 SIM – apsauga nuo pasisukimo
- 6 Belaidis monitorius M18 SIM – apsauga nuo pakrypimo
- 7 Rankena
- 8 Laido ritė su stumiamuoju kabeliu
- 9 Atraminė kojėlė vertikaliajam naudojimui
- 10 Ratai
- 11 Kabelio ritės stabdys

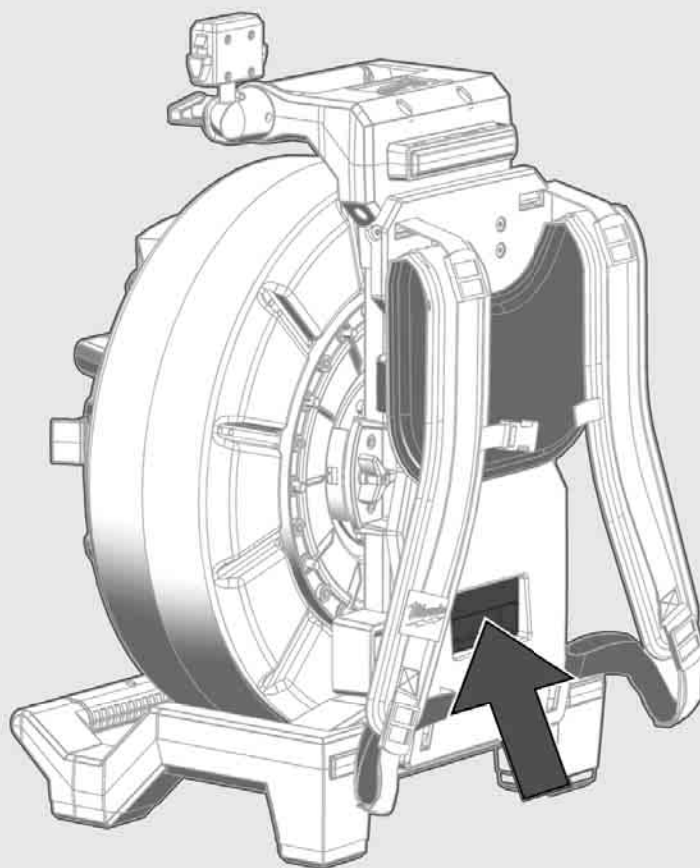
### 3.3 Nešiojimo įtaiso įrengimas

VAMZDŽIŲ PATIKROS RITĖJE M18 SIC36 yra įrengtas nešiojimo įtaisas, kuriame galima ritę nešioti ant pečių kaip kuprinę. Taip nedidelę ritę patogiai gabensite į naudojimo vietą, ypač tuomet, kai reikia lipti laiptais arba kopėčiomis.

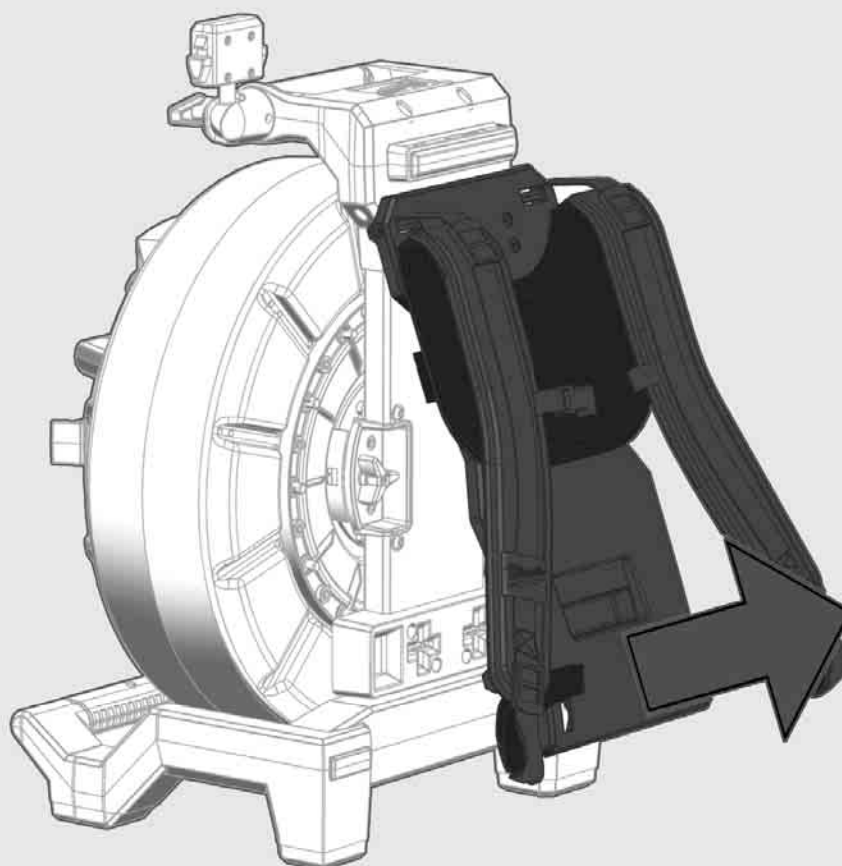


Nešiojimo įtaisą įkabinkite viršuje ir rankos delnu spauskite apačią, kol nešiojimo įtaisas užsifiksuos. Stipriai patraukite už nešiojimo įtaiso, kad įsitikintumėte, jog jis užsifiksavo.

**1**

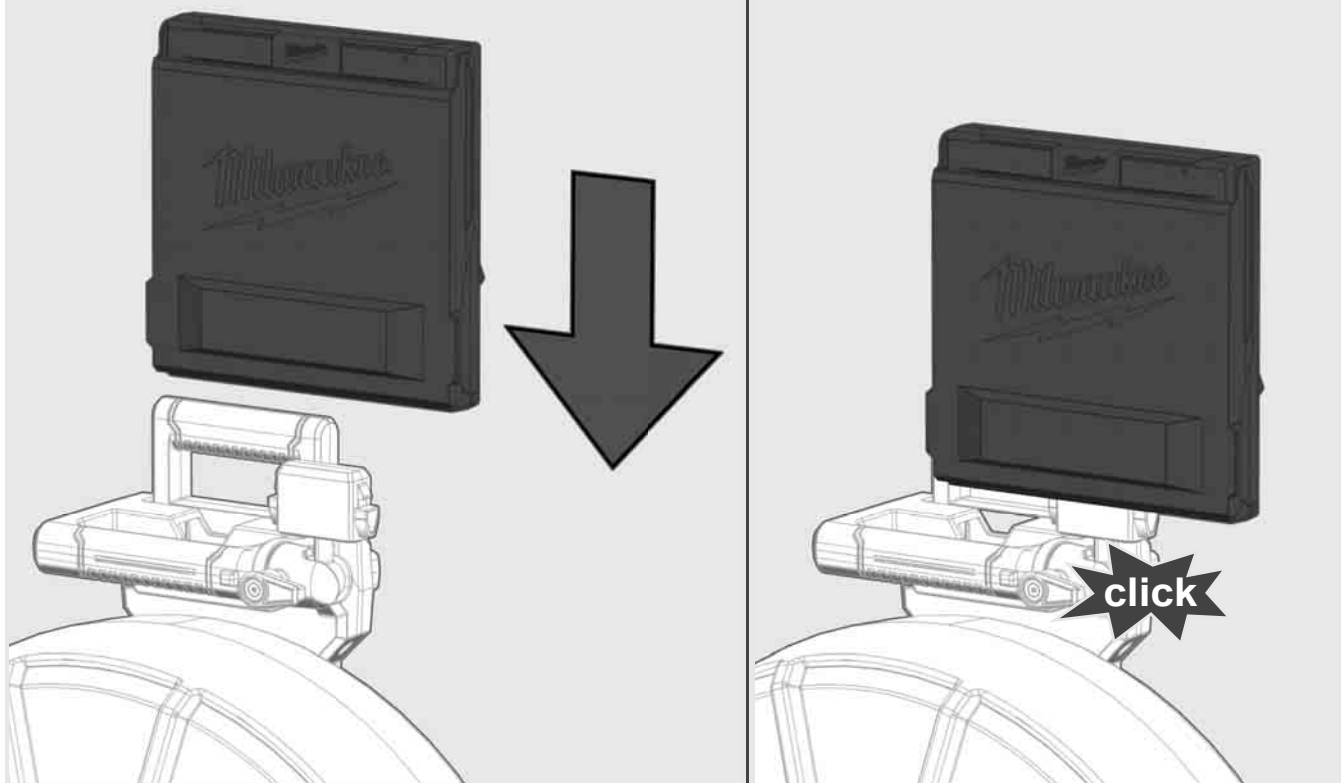


**2**

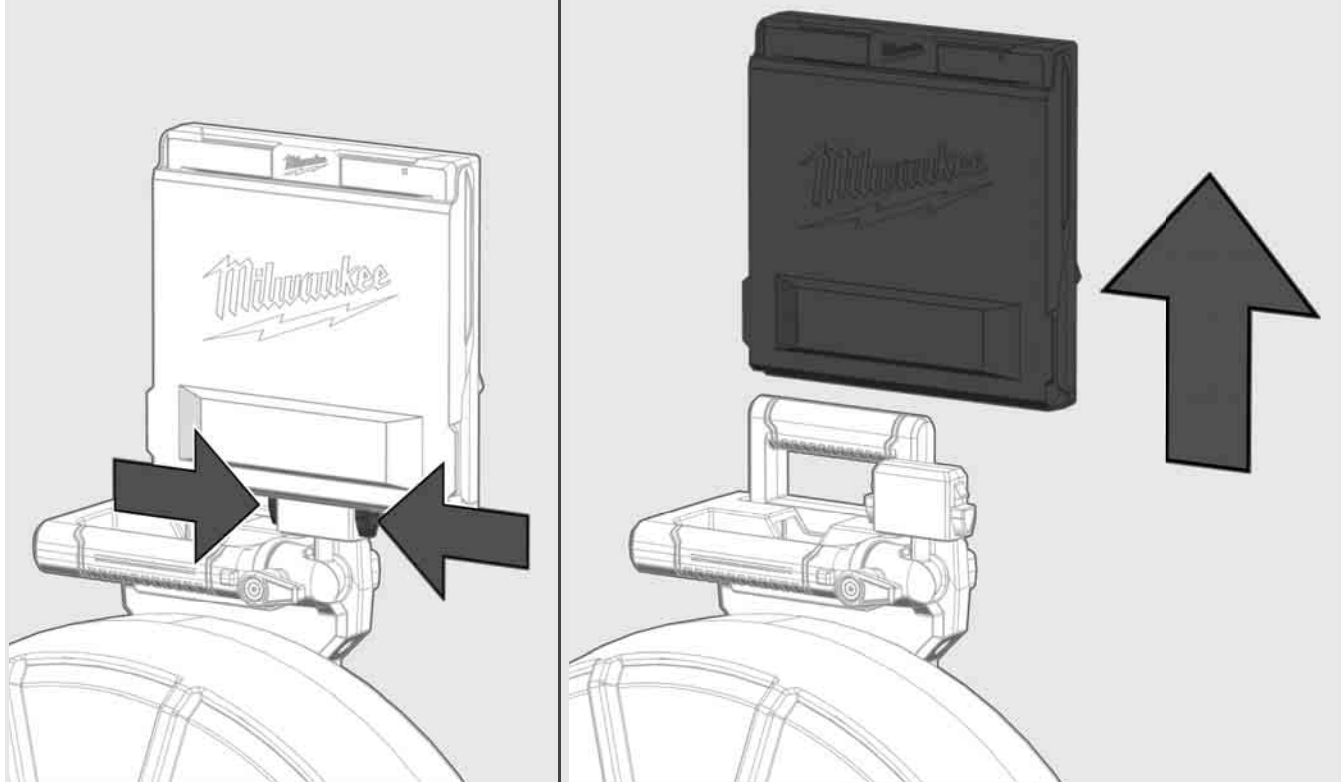


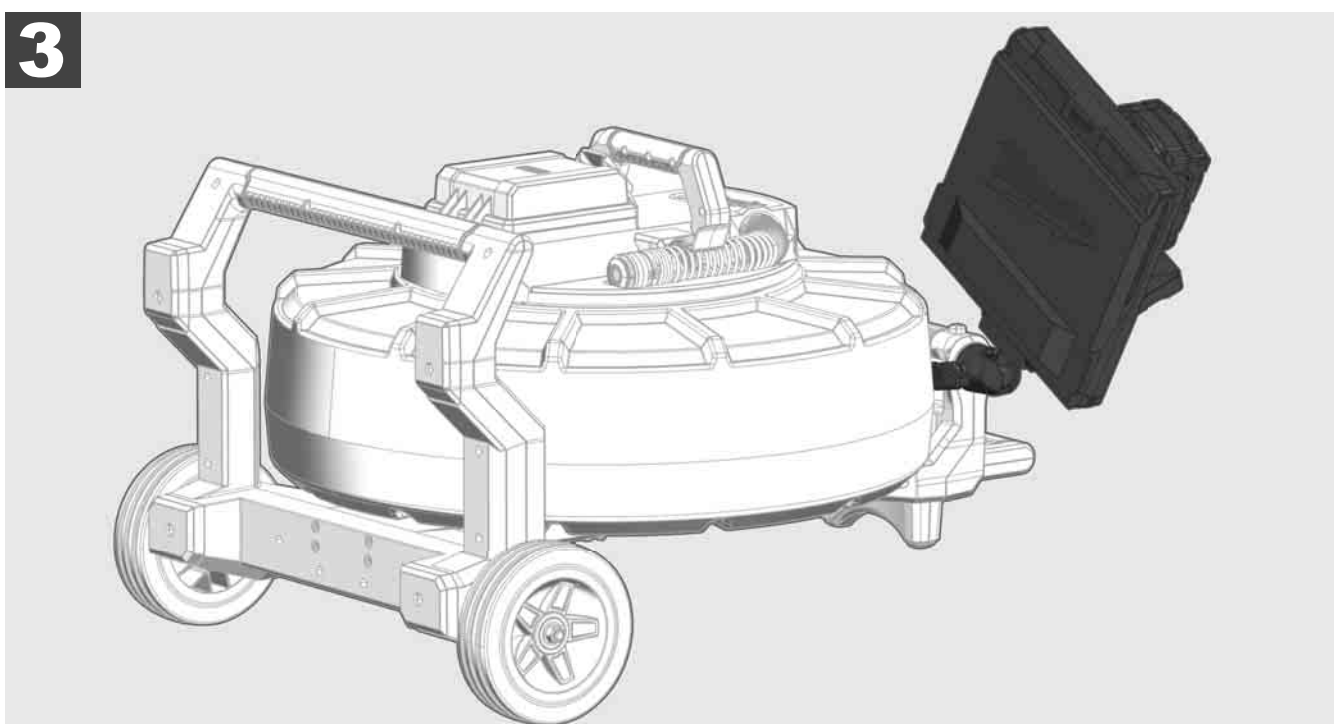
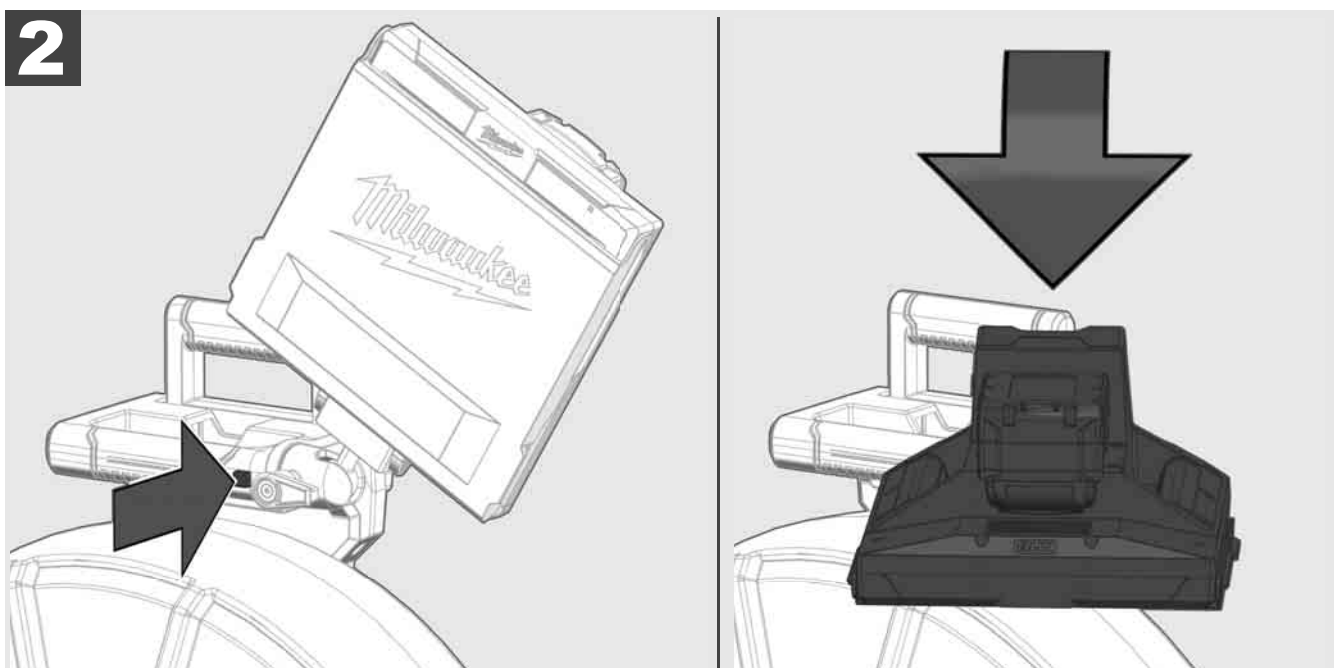
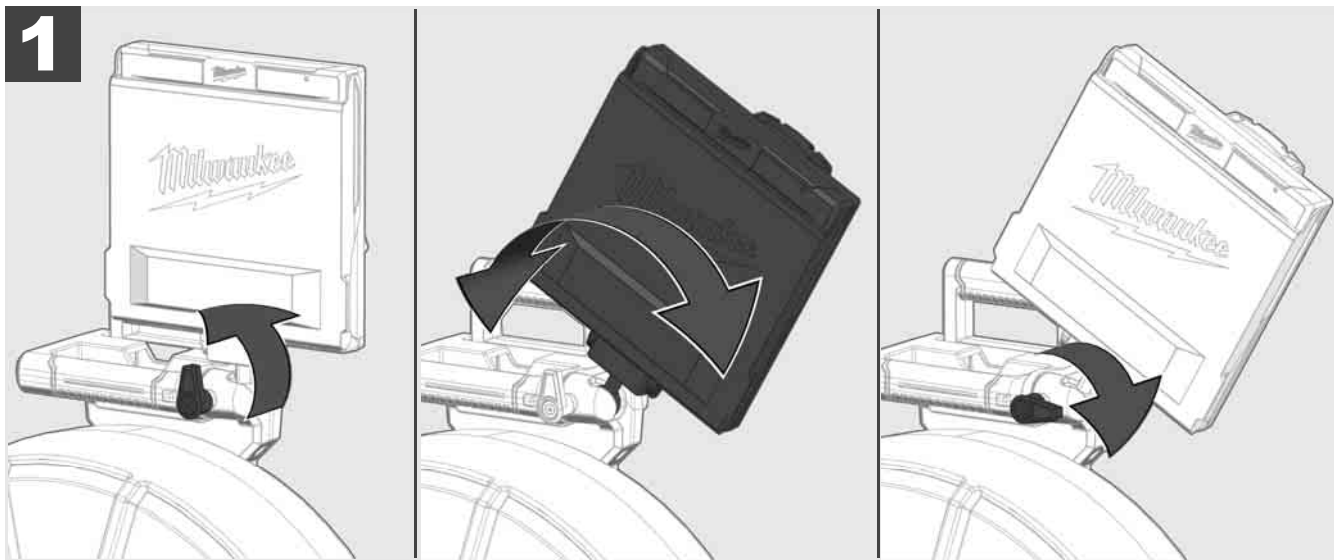


**1**



**2**





### 3.7 Vamzdžių patikros ritės naudojimas



Patikrinkite, ar ant stumiamojo kabelio nėra nusidėvėjimo pėdsakų, taip pat išvyniodami kabelį patikrinkite, ar jis nesupaustytas, nesulankstytas ir nenusitrynęs. Jeigu apvalkalas nusidėvėjęs tiek, kad matomos geltonas arba baltas kevlaro apypinas, stumiamąjį kabelį reikia pakeisti. Jei naudosite stumiamąjį kabelį su pažeistu apvalkalu, gali įsiskverbti vandens ir drėgmės ir tai gali pakenkti kameros įrašų kokybei arba ji gali sugesti.

Toliau pateiktame paveikslėlyje parodyta, kaip atrodo stipriai pažeisti apvalkalai. Tokius stumiamuosius kabelius reikia nedelsiant pakeisti.



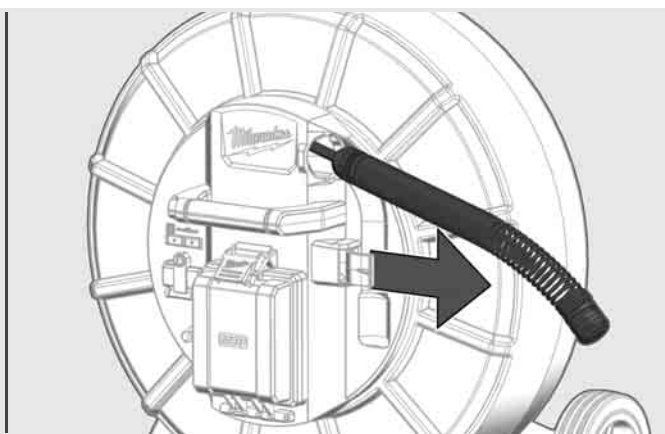
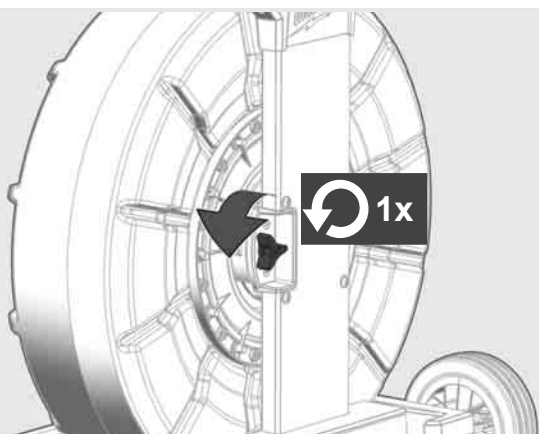
Stebėkite, kad stumiamasis kabelis ir spyruoklių konstrukcinė grupė visuomet būtų sausi ir švarūs. Prieš suvyniodami kabelį, jį visuomet nuvalykite švaria, sausa šluoste. Pasibaigus darbo dienai, nuo kameros galvutės ir spyruoklės pašalinkite nešvarumų likučius atsargiai nuplaudami juos tekančiu vandeniu. Nukratykite arba vandens perteklių pašalinkite nupūsdami suslėgtuoju oru ir paskui nusausinkite dalis. Draudžiama kasdien naudoti agresyviuosius chemikalus kameros galvutei, stumiamajam kabeliui ir prijungiamoms dalims. rūpestingai prižiūrint sistemą dalių naudojimo trukmė pailgėja.

Atsargiai elkitės su stumiamuoju laidu, netraukite jo iš užfiksuotos ritės. Priešingu atveju kabelis ritėje bus prispaustas ir per stipriai apkrautas. Stumdami stumiamąjį kabelį į užfiksuotą ritę galite apversti ritinį arba sulenkti kabelį.

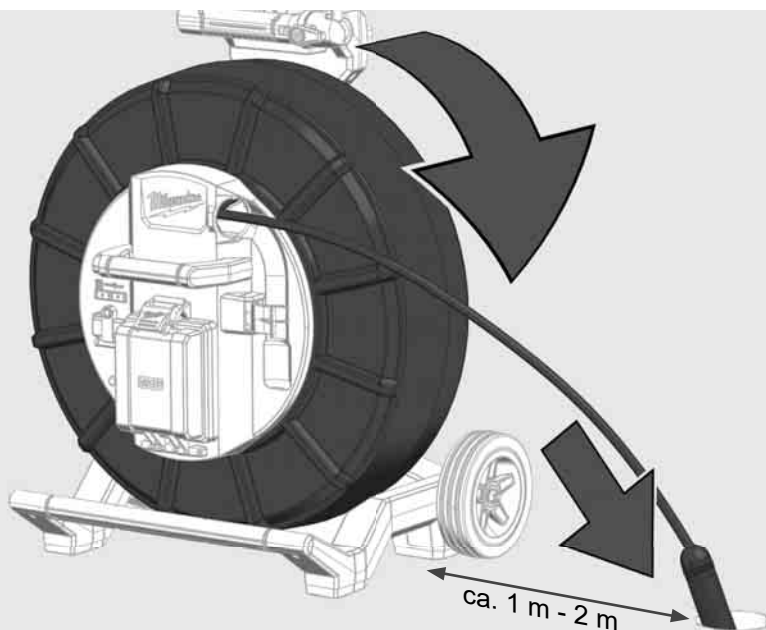
Ritę pastatykite maždaug 1–2 metrus nuo įėjimo vietos ant lygaus pagrindo. Taip lieka užtekinai vietos kabeliui tvarkyti ir ant žemės nesusidaro kabelio kilpų. Jei reikia, paspauskite frikcinį stabdį, kad sulėtintumėte stumiamojo kabelio judėjimą.

Jei ritę naudojate horizontalioje padėtyje, padidėja plotas tarp kojelių. Tai suteikia ritei daugiau stabilumo ant nelygaus pagrindo ir sumažina jos aukštį, ypač tai aktualu, kai dirbama mažose erdvėse.

1



2





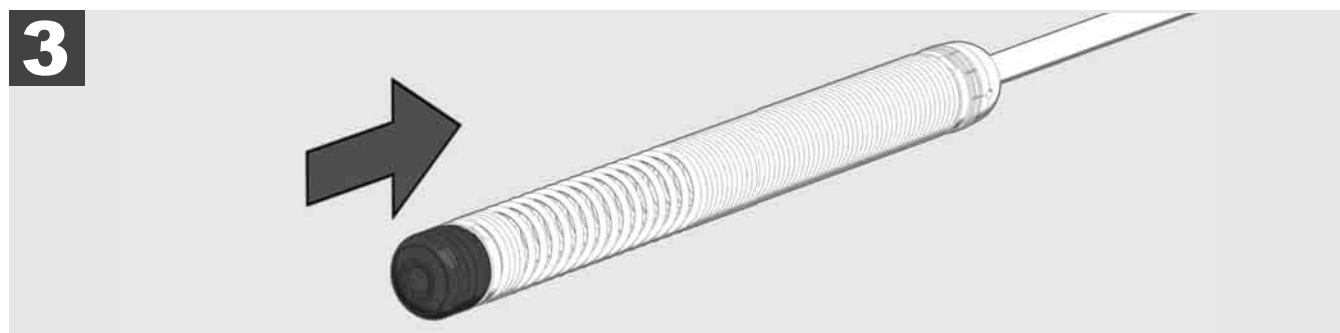
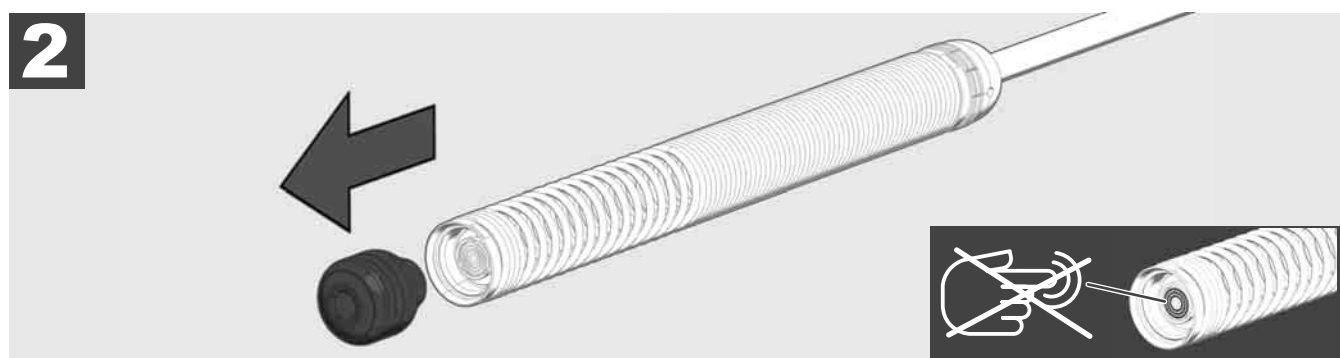
### 3.8 Kameros galvutės konstrukcinė grupė



Jei galite, plikomis rankomis nelieskite spyruoklių konstrukcinės grupės žalios laidininko plokštės arba auksinių kontaktų bei kameros galvutės. Priešingu atveju ant šių komponentų lieka pirštų riebalų dėmės, galinčios sukelti priešlaikinę koroziją. Jei galite, mėvėkite švarias ir sausas gumines pirštines.

Prieš išimdami kameros galvutę ją nusauskite ir pašalinkite nešvarumų likučius, kurie galėjo įkristi į kameros prijungimo sritį.

Nepriveržkite per daug ir nenaudokite perteklinės jėgos!



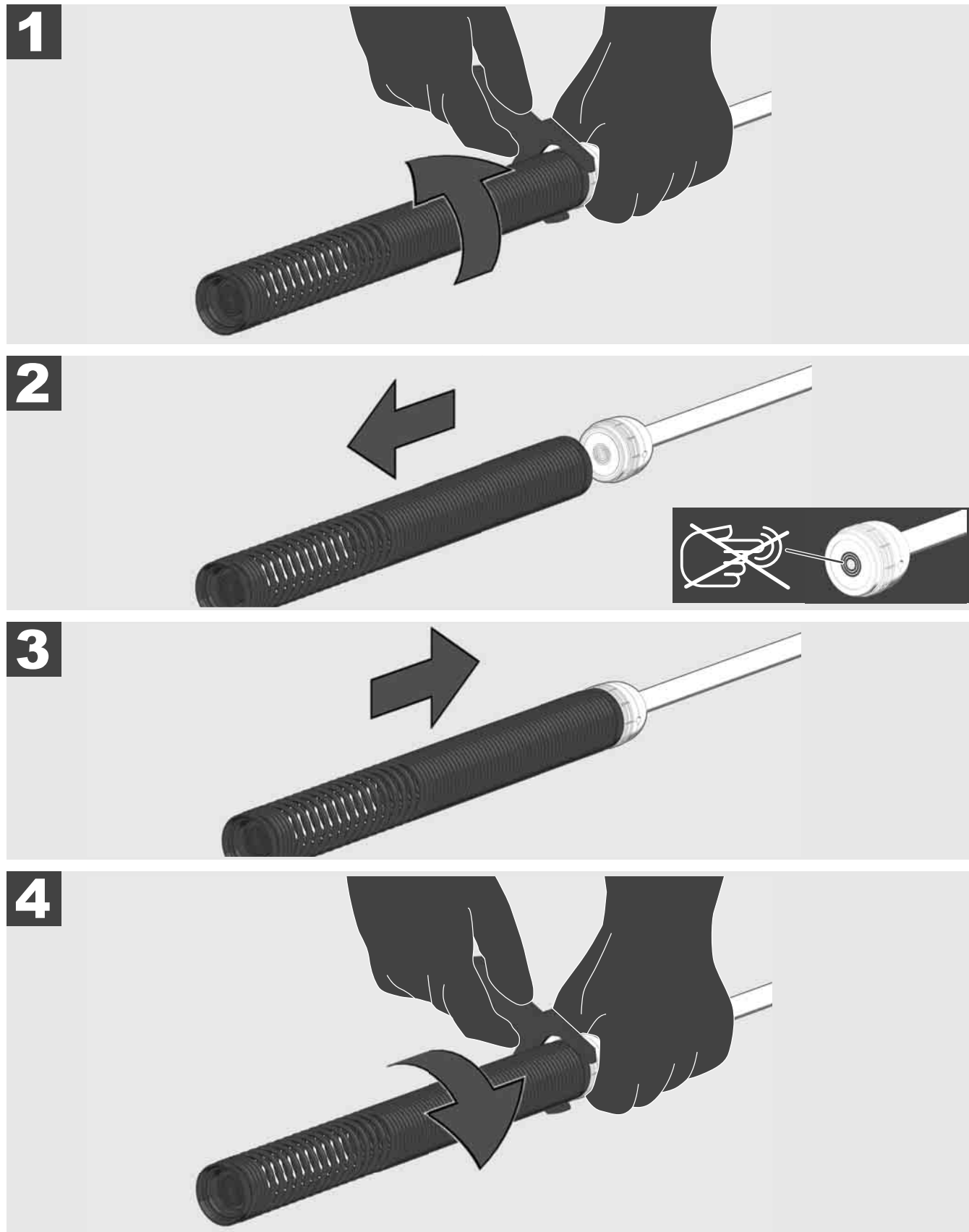
### 3.9 Spyruoklių grupė



Jei galite, plikomis rankomis nelieskite spyruoklių konstrukcinės grupės žalios laidininko plokštės arba auksinių kontaktų bei kameros galvutės. Priešingu atveju ant šių komponentų lieka pirštų riebalų dėmės, galinčios sukelti priešlaikinę koroziją. Jei galite, mėvėkite švarias ir sausas gumines pirštines.

Prieš išimdami kameros galvutę ją nusauskite ir pašalinkite nešvarumų likučius, kurie galėjo įkristi į kameros prijungimo sritį.

Nepriveržkite per daug ir nenaudokite perteklinės jėgos!



### 3.10 Kameros apsauginis dangtelis

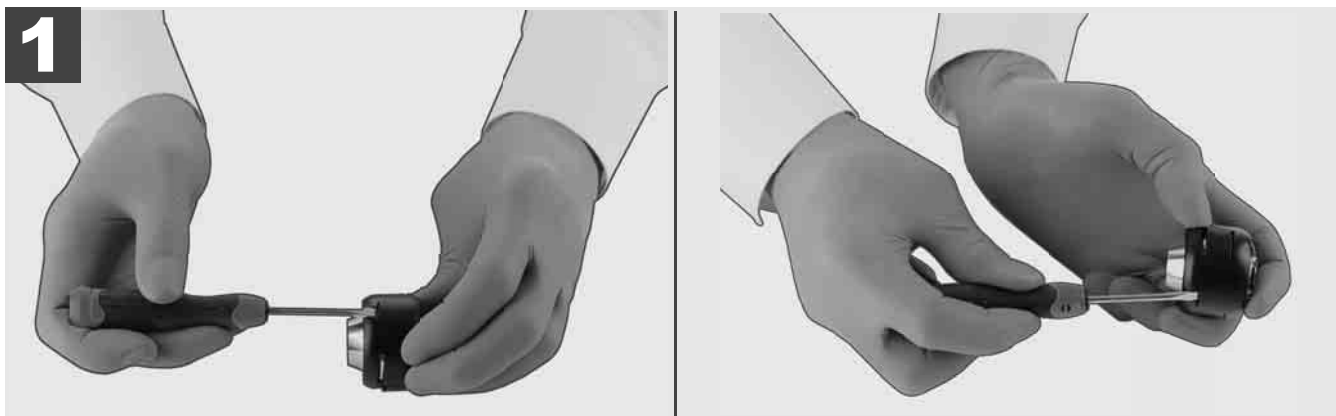


Apsauginiai dangteliai, tinkantys 25 mm arba 34 mm skersmens kameros galvutėms. Šie apsauginiai dangteliai tiekiami su visomis VAMZDŽIŲ PATIKROS RITĖMIS arba atsarginėmis kameros galvutėmis.

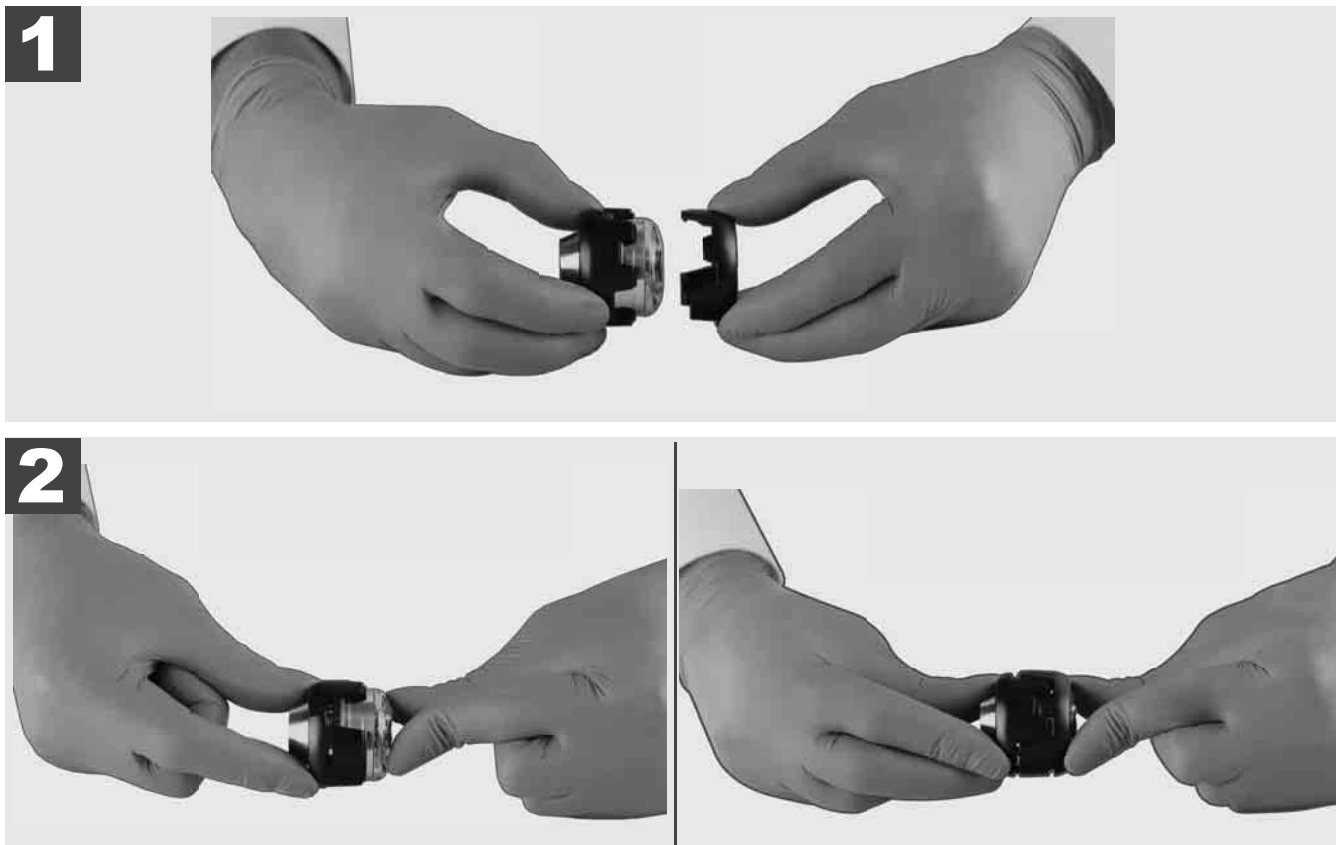
Kreiptuvai uždėti ant spyruoklės konstrukcinės grupės, kad kameros galvutė galėtų išilgai judėti per grindis ir tiesiogiai nesiliestų su vamzdžiu.



#### Apsauginio dangtelio nuėmimas



#### Apsauginio dangtelio montavimas



### 3.11 Kameros kreiptuvai



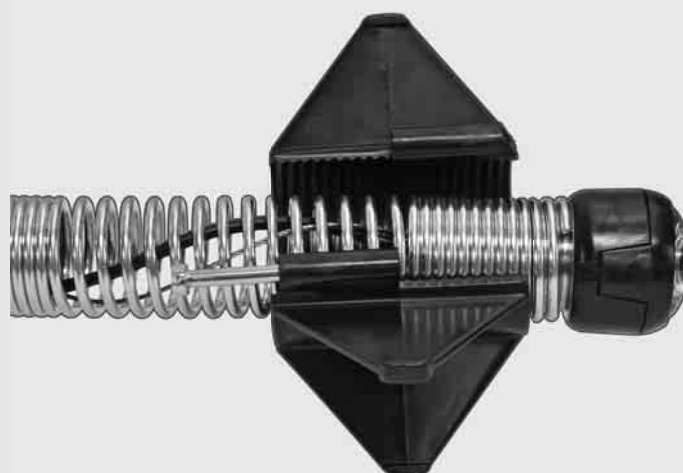
25 mm arba 34 mm pločio kameros galvutėms siūlome po du kreiptuvus: nedidelis 75 mm modelis ir vidutinio dydžio 100 mm modelis.

25 mm kameros kreiptuvas

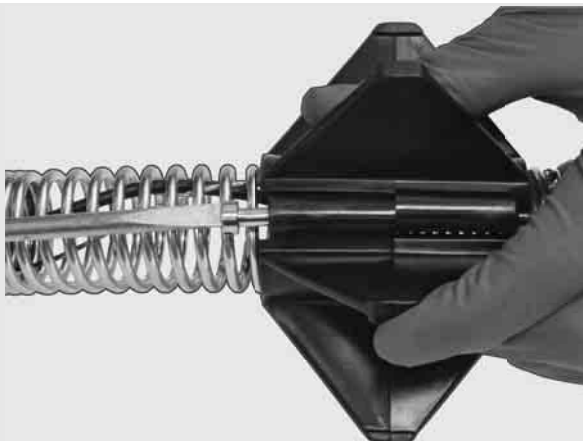
34 mm kameros kreiptuvas



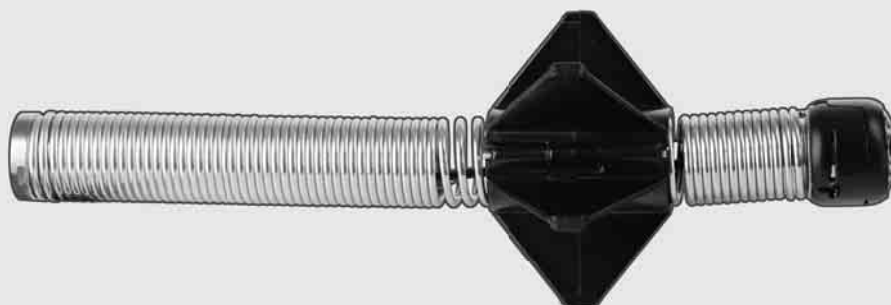
**1**



**2**



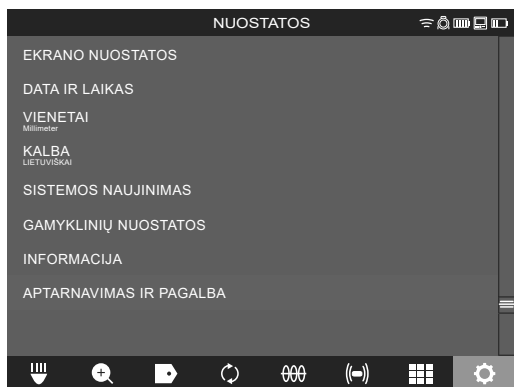
**3**




### 3.12 Aptarnavimas ir pagalba


Jei reikia remontuoti jūsų VAMZDŽIŲ PATIKROS SISTEMA, „Milwaukee“ įrankių aptarnavimo puslapio skiltyje APTARNAVIMAS IR PAGALBA rasite visus svarbius telefono numerius.

Pasirinkite **NUOSTATOS**  **APTARNAVIMAS IR PAGALBA**





**Milwaukee**  
Nothing but **HEAVY DUTY**®

click 

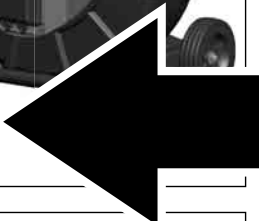


**M18 SIC36**  
**M18 SIC60**  
**M18 SISH**

click 



**M18 SIM**

click 

click

1	Üldised juhised.....	2
1.1	Spetsiaalsed ohutuseeskirjad toruvaatlussüsteemidele .....	2
1.2	Edasised ohutus- ja tööjuhised .....	2
1.3	Tehnilised andmed .....	3
1.4	Kasutamine vastavalt otstarbele .....	3
1.5	Raadiosageduslikud tingimused Euroopa paigaldistele.....	3
1.6	EÜ Vastavusdeklaratsioon .....	3
1.7	ONE-KEY™ .....	4
1.8	AKUD .....	4
1.9	Liitumioonakude transportimine .....	4
1.10	Hooldus.....	4
1.11	Sümbolid .....	5
2	Smart Hub M18 SISH .....	6
2.1	Smart Hub M18 SISH ülevaade .....	6
2.2	Aku sissepanek ja väljavõtmine .....	7
2.3	Aku laetusastme kontrollimine .....	8
2.4	Smart Hub M18 SISH tarvitusele võtmine .....	9
2.5	Smart Hub M18 SISH eemaldamine .....	10
2.6	Toitelüliti .....	11
2.7	Monitori ühendamise .....	12
2.8	USB pesad .....	13
2.9	Maandusvarras .....	14
2.10	Pikkuse arvesti lähtestamine .....	15
2.11	Kaamera kontrollühendus .....	16
2.12	Sisemise draivi ja USB-pulga vormindamine .....	17
2.13	Tehasesätted.....	18
2.14	Süsteemi värskendus.....	19
3	TORUVAATLUSTRUMLID .....	21
3.1	Toruülevaatustrumli M18 SIC36 ülevaade .....	21
3.2	Toruvaatlustrumli M18 SIC60 ülevaade .....	22
3.3	Kandetoe paigaldamine .....	23
3.4	Kandetoe eemaldamine .....	24
3.5	Juhtmeta monitori M18 SIM paigaldamine .....	25
3.6	Juhtmeta monitori M18 SIM seadistamine .....	26
3.7	Toruvaatlustrumli kasutamine .....	27
3.8	Kaamerapea kooste .....	28
3.9	Vedru kooste .....	29
3.10	Kaamera kaitsekate .....	30
3.11	Kaamera juhikud .....	31
3.12	Hooldus ja tugi .....	32

## 1.1 Spetsiaalsed ohutuseeskirjad toruvaatlussüsteemidele

Töötamisel torudes tuleb veenduda, et need ei oleks pinges all ega elektriliselt laetud. Torudes ei tohi olla vedelikku. Kaamera ja seade ei tohi puutuda kokku vedelikuga.

Kaamera ja kaabel ei tohi puutuda kokku õli, gaasi või teiste korrodeeruvate materjalidega.

Plahvatus- ja elektrilöögiohu ning esemelise kahju vähendamiseks kontrollige alati enne kõiki töid üle tööala. Kaabel ei tohi puutuda kokku elektriliste osade, kemikaalide ega liikuvate osadega.

Et vähendada seadme kahjustamise ohtu, ärge kasutage ülemäärast jõudu ega väänake kaablit. Ärge kasutage kontrollkaamerat ja kaablit kohtades, kus need võivad kokku puutuda söövitavate või õliste ainetega.

Ärge kasutage kaablit ummistuste või takistuste kõrvaldamiseks. See pole torupuhastaja!

Kui kontrollitav äravoolutoru võib sisaldada kemikaale, baktereid vms toksilisi aineid või nakkusetekitajaid, siis kasutage tootja soovitatud kaitsekinnastena lateks- või kummikindaid ning kaitseprille, näokaitset, kaitseriietust ja respiraatorit. Torustikud võivad sisaldada kemikaale, baktereid või muid aineid, mis võivad olla mürgised või nakkusohtlikud ning põhjustada põletusi või muid raskeid vigastusi.

Järgige hügieenialaseid ettekirjutusi. Ärge sööge ega suitsetage seadme kasutamise ajal. Pärast toruvaatlussüsteemiga ümberkäimist või selle kasutamist tuleb käed jm toru sisuga kokku puutunud kehaosad alati sooja vee ja seebiga puhtaks pesta. Nii väldite toksiliste või nakkusohtlike ainetega kokkupuutest tulenevaid terviseriske.

Kontrollige kaablit enne kasutamist kulumisjälgede ja kahjustuste osas. Vahetage kulunud või kahjustatud kaabel enne seadme kasutamist välja.

**ETTEVAATUST!** Olge toruvaatlussüsteemi seljas transportimisel kandetuge kasutades ettevaatlik. Te võite tasakaalu kaotada.

Kasutage seadet alati läbimõeldult ja ettevaatlikult. Kõiki ohuolukordi ei ole võimalik ette näha. Ärge seda seadet kasutage, kui Te pole kaasasolevat juhendit endale selgeks teinud või olete tööga ülekoormatud. Lisateabe saamiseks või väljaõppeks pöörduge ettevõtte Milwaukee või erialaspetsialisti poole.

Ärge eemaldage etikette ja tüübisilte. Neil siltidel seisab oluline teave. Kui sildid pole enam loetavad või need puuduvad, siis võtke tasuta asendussiltide saamiseks ühendust MILWAUKEE klienditeenindusega.

Mõned lihvimis-, saagimis- ja puurmasinad või muud ehitustegevused võivad tekitada keemilisi koostisosi sisaldavaid tolme, mis võivad tekitada vähki, sünnikahjustusi või pärssida viljakust. Näited sellist liiki keemilistest koostisosadest:

- plii pliibaasil valmistatud värvides;
- kristalliline siliitsiumoksiid telliskivides, tsemendis või teistes müüritöötoodetes, samuti
- arseen või kroom keemiliselt töödeldud ehituspuidus.

Kokkupuutega seotud risk sõltub sellest, kui tihti te sellist liiki tööd teete. Plahvatusohu minimeerimiseks töötage alati hästi ventileeritud kohtades. Kandke ametlikult lubatud kaitsevarustust, nagu nt mikroosakeste filtriga respiraatorid.

## 1.2 Edasised ohutus- ja tööjuhised

Ärge vahetage akut, kui seadme pind on märg.

Ärge põletage ega visake kasutatud akusid olmeprügisse. Milwaukee pakub vanade akude keskkonnahoidlikku käitlust; palun küsige oma erialaselt tarnijalt.

Ärge säilitage vahetatavaid akusid koos metallsemetega (lühiseoht).

Laadige süsteemi M18 vahetatavaid akusid ainult süsteemi M18 laadijatega. Ärge laadige nendega teiste süsteemide akusid.

Äärmuslikul koormusel või äärmuslikul temperatuuril võib kahjustatud vahetatavast akust akuvedelik välja voolata. Akuvedelikuga kokkupuutumise korral peske kohe vee ja seebiga. Silma sattumise korral loputage kiiresti põhjalikult vähemalt 10 minutit ning pöörduge viivitamatult arsti poole.

**Hoiatus!** Lühisest põhjustatud tuleohu, vigastuste või toote kahjustuste vältimiseks ärge kastke seadet, akut ega laadimiseadet vedelikku ning jälgige, et vedelikke ei tungiks seadmetesse ega akusse. Korrodeeruvad või elektrit juhtivad vedelikud, nagu soolvesi, teatud kemikaalid ja pleegitusained või pleegitusaineid sisaldavad tooted, võivad põhjustada lühist.

Antud seadet ei tohi käsitseda või puhastada piiratud füüsiliste, sensoorsete või vaimsete võimete, puudulike kogemuste või teadmistega isikud, välja arvatud juhul, kui neid instrueeriti nende ohutuse eest vastutava isiku

poolt seadmega ohutus ümberkäimises. Ülalnimetatud isikuid tuleb seadme kasutamisel jälgida. Seade ei kuulu laste kätte. Mittekasutuse korral tuleb seda kindlalt ja lastele kättesaamatult alal hoida.

### 1.3 Tehnilised andmed

	M18 SIC36	M18 SIC60	M18 SISH
Kaamera kaabli pikkus.....	36 m.....	60 m.....	
Kaamerapea.....	∅ 25 mm.....	∅ 34 mm.....	
Max suurendus.....	4x.....	4x.....	
Aku pingeline.....			18 V
Kaal vastavalt EPTA-protseduurile 01/2014 (4,0 Ah / 12 Ah).....	12,4 kg.....	20,46 kg.....	5,37 kg
Bluetoothi sagedusriba (sagedusribad).....			2402-2480 MHz
Kõrgepinge jõudlus.....			1,8 dBm
Bluetoothiga versioon.....			4.0 BT signaali režiim
Soovituslik ümbritsev temperatuur töötamise ajal.....		-18 .....	+50 °C
Soovituslikud akutüübid.....		M18B.....; M18HB.....	
Soovituslik laadija.....		M12-18C, M12-18AC, M12-18FC, M1418C6	

### 1.4 Kasutamine vastavalt otstarbele

Toruvaatlussüsteemi abil toimub torude vaatlemine ja kontroll. Süsteem koosneb kolmest moodulist.

#### - Toruvaatluskaabli trummel M18 SIC36 või M18 SIC60

Toruvaatluskaabli trummel on mõeldud kaabli juhtimiseks ja peale- ning mahakerimiseks. Trumleid on saadaval kahes suuruses: M18SIC36 on mõeldud 50 kuni 150 mm läbimõõduga ja mudel M18SIC60 75 kuni 250 mm läbimõõduga torudele.

Mõlemal trumlil on kaabel koos vedrukoostega, millele on monteeritud isenivelleeruv kaamerapea. Juhtmeta monitori M18 SIM ja nutikat Smart Hub M18 SISH võib kasutada mõlema trumliga.

Mõlemat trumlit võib kasutada nii horisontaalselt kui vertikaalselt. Seadme kandmiseks seljas saab mudeli M18 SIC36 tagumisele küljele kinnitada kandetoe.

#### - Smart Hub M18 SISH

Smart Hub M18 SISH on mõeldud toruvaatlussüsteemi juhtimiseks.

Juhtmeta monitor M18 SIM või tahvel, millesse on installeeritud Milwaukee® toruvaatlusrakendus, saab ühenduse Smart Hub M18 SISH, et teha ülesvõtteid ja jäädvustada pilte. Nii videod kui pildid salvestatakse Smart Hub'isse M18 SISH sisemisele draivile.

#### - Juhtmeta monitor M18 SIM (ei sisaldu tarnekomplektis; saab eraldi osta)

Juhtmeta monitoriga M18 SIM saab vaadata kaamerapea abil tehtud videoid, salvestada neid, samuti edastada video- ja pildimaterjali. Videosalvestuse ajal saab sisseehitatud mikrofoni abil salvestada räägitud kommentaare. Funktsiooni „Tähised“ abil saab kommentaaritekste ka lisada. Kommentaaritekste kuvatakse salvestatud videotel ja need ilmuvad fotodele koos kuupäeva, kellaaja ning lahtikeritud kaablipikkusega.

Antud seadet tohib kasutada ainult vastavalt äranäidatud otstarbele.

### 1.5 Raadiosageduslikud tingimused Euroopa paigaldistele

Märkus! Seda seadet on kontrollitud ja see vastab vastuvõtjatele sätestatud standardi EN 300 440 V2.1.1 3. kategooria piirväärtustele.

Need väärtused tagavad piisava kaitse raadiotehniliste tõrgete vastu elumajades.

See seade reageerib teiste seadmete raadiolainetele, mille sagedusvahemik jääb 2402 kuni 2480 MHz vahele. See võib põhjustada talitlushäireid kaugjuhitmispuldi kasutamise korral. Välistatud ei ole talitlushäirete tekkimine teatud tingimustel. Selleks et teha kindlaks, kas see seade oma raadiosignaalide tõttu mõjutab teisi seadmeid, lülitage teised seadmed korraks välja; seejärel kontrollige, kas häired kaovad. Häirete kõrvaldamiseks võib tarvitusele võtta järgmised abinõud:

- lülitage häireallikas välja;
- suurendage kaugust häireallikast;
- küsige nõu edasimüüjalt või spetsialiseerunud raadiotehnikult.

### 1.6 EÜ Vastavusdeklaratsioon

Käesolevaga deklareerib Techtronic Industries GmbH, et käesolev raadioseadme tüüp M18SISH vastab direktiivi 2014/53/EL nõuetele. ELi vastavusdeklaratsiooni täielik tekst on kättesaadav järgmisel internetiaadressil: <http://services.milwaukeetool.eu>



## 1.7 ONE-KEY™

Et selle tööriista ONE-KEY funktsionaalsuse kohta rohkem teada saada, lugege kaasasolevat kiirkäivituse juhendit või külastage meid internetis aadressil [www.milwaukeetool.com/one-key](http://www.milwaukeetool.com/one-key). Te saate ONE-KEY äpi oma nutitelefonile alla laadida App Store'i või Google Play kaudu.

Kui toode puutub kokku elektrostaatilise lahendusega, katkeb Bluetoothi sideühendus. Sideühendus tuleb sel juhul käsitsi taastada.

Seade vastab minimaalsetele nõuetele vastavalt standarditele EN 55014-2:2015 / EN 301489-1 V2.2.3 / EN 301489-17 V3.1.1.

### Näidik ONE-KEY™

Sinine tuli põleb: raadioside on aktiivne ja seda saab rakenduse ONE-KEY™ kaudu seadistada.

Sinine tuli vilgub: seade suhtleb ONE-KEY™ rakendusega.

Punane tuli vilgub: seade on kaitse-eesmärkidel lukustatud ja kasutaja saab seda rakenduse ONE-KEY™ kaudu lukust lahti teha.

## 1.8 AKUD

Pikemat aega mittekasutatud akusid laadige veel enne kasutamist.

Temperatuur üle 50 °C vähendab vahetatava aku töövoimet. Vältige pikemat soojenemist päikese või kütteseadme mõjul.

Hoidke laadija ja vahetatava aku ühenduskontaktid puhtad.

Optimaalse aku eluea tagamiseks, pärast kasutamist lae aku täielikult.

Akud tuleks võimalikult pika kasutusea saavutamiseks pärast täislaadimist laadijast välja võtta.

Aku ladustamisel üle 30 päeva:

ladustage akut kuivas kohas temperatuuril alla 27 °C.

Ladustage akut u 30–50% laetusseisundis.

Laadige aku iga 6 kuu tagant täis.

## 1.9 Liitiumioonakude transportimine

Liitiumioonakud on allutatud ohtlike ainete transportimisega seonduvatele õigusaktidele.

Nende akude transportimine peab toimuma kohalikest, siseriiklikest ja rahvusvahelistest eeskirjadest ning määrustest kinni pidades.

- Tarbijad tohivad neid akusid edasiste piiranguteta tänaval transportida.
- Liitiumioonakude kommertstransport ekspedeerimisettevõtete kaudu on allutatud ohtlike ainete transportimisega seonduvatele õigusaktidele. Tarne-ettevalmistusi ja transporti tohivad teostada eranditult vastavalt koolitatud isikud. Kogu protsessi tuleb asjatundlikult jälgida.

Akude transportimisel tuleb järgida järgmisi punkte:

- Veenduge, et kontaktid on lühiste vältimiseks kaitstud ja isoleeritud.
- Pöörake tähelepanu sellele, et aku ei saaks pakendis nihkuda.
- Kahjustatud või välja voolanud akusid ei tohi kasutada.

Pöörduge edasiste juhiste saamiseks ekspedeerimisettevõtte poole.

## 1.10 Hooldus

Kasutage ainult Milwaukee tarvikuid ja tagavaraosi. Varuosad, mille väljavahetamist pole kirjeldatud, laske välja vahetada Milwaukee klienditeeninduspunktis (vaadake brošüüri garantii / klienditeeninduste aadressid).

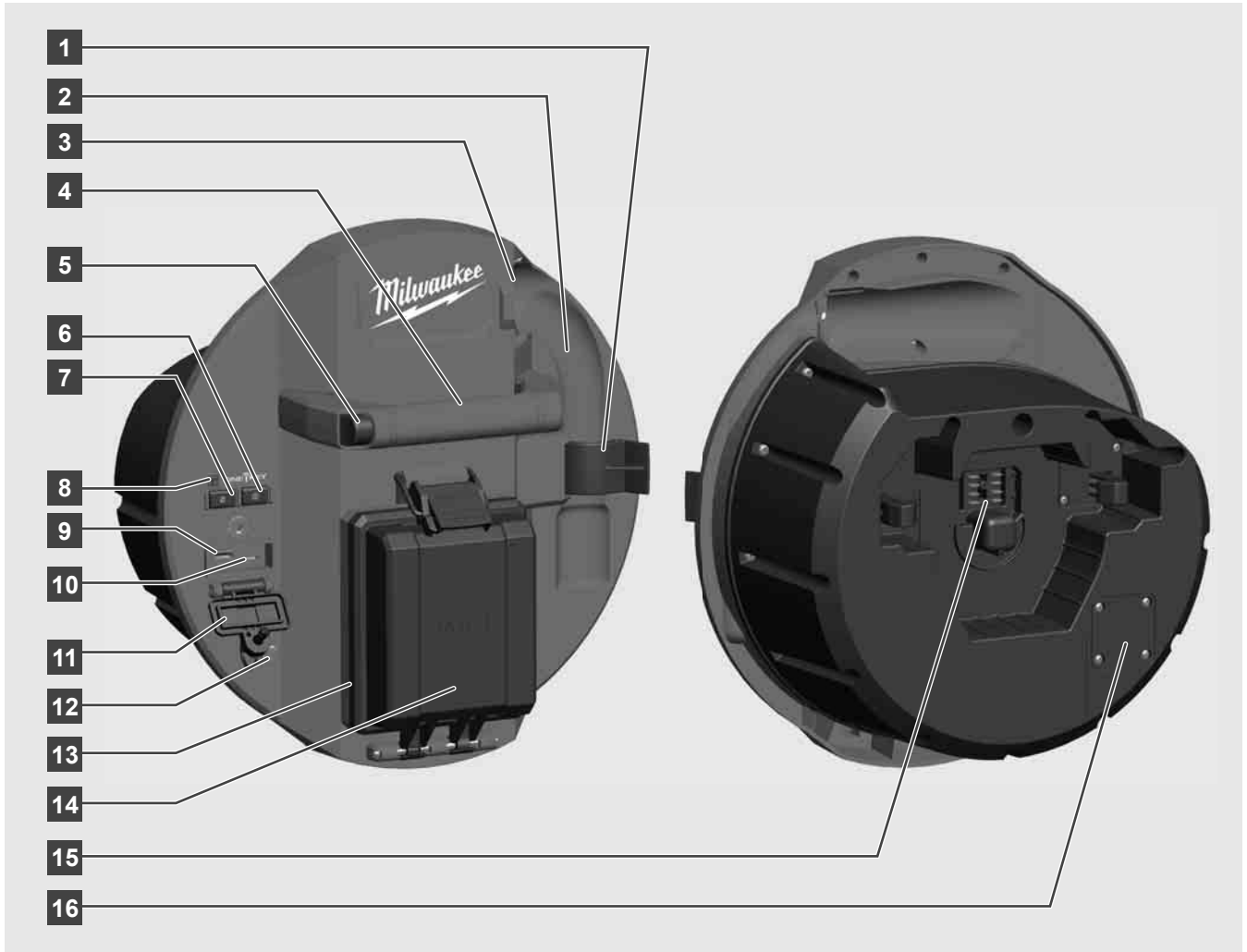
Vajadusel saab nõuda seadme plahvatusjoonise võimsussildil oleva masinatüübi ja kuuekohalise numbrilise alusel klienditeeninduspunktist või vahetult firmalt Techtronic Industries GmbH, Max-Eyth-Straße 10, 71364 Winnenden, Saksamaa.

## 1.11 Sümbolid

	ETTEVAATUST! TÄHELEPANU! OHUD!
	Enne kõiki töid seadmega võtke vahetatav aku välja.
	Palun lugege enne käikulaskmist kasutusjuhend hoolikalt läbi.
	Kanda kaitsekindaid!
	Seadmega töötades kandke alati kaitseprille.
	Elektriseadmeid, patareisid/akusid ei tohi utiliseerida koos majapidamisprügiga. Elektriseadmed ja akud tuleb eraldi kokku koguda ning kõrvaldada keskkonnasõbralikul moel töötlemiskeskusesse. Küsige infot jäätmekäitlusjaamade ja kogumispunktide kohta oma kohalike ametnike või edasimüüja käest.
	Pinge
	Alalisvool
	Euroopa vastavusmärk
	Ühendkuningriigi vastavusmärgis
	Ukraina vastavusmärk
	Euraasia vastavusmärk

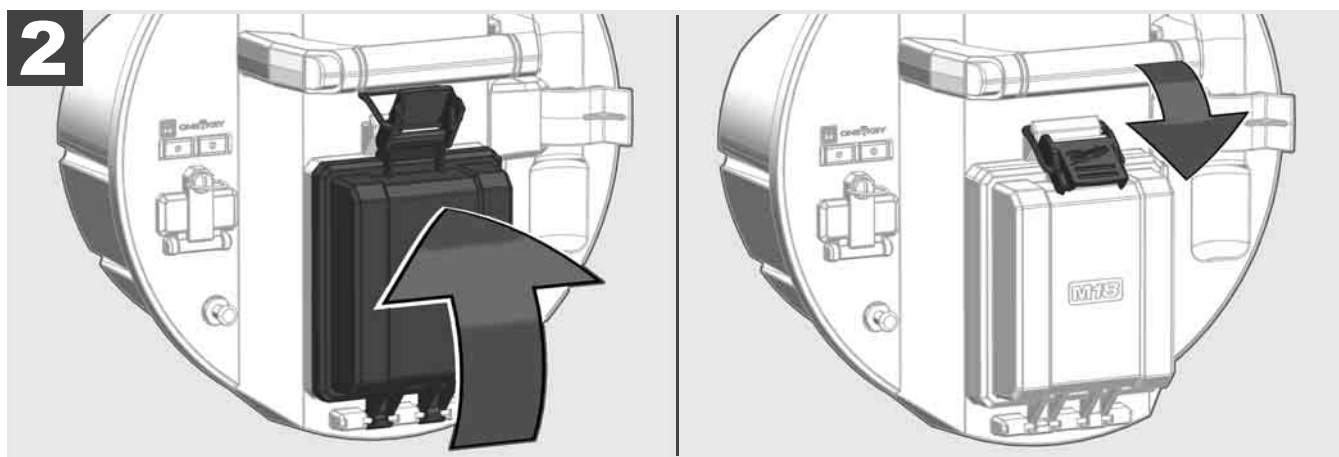
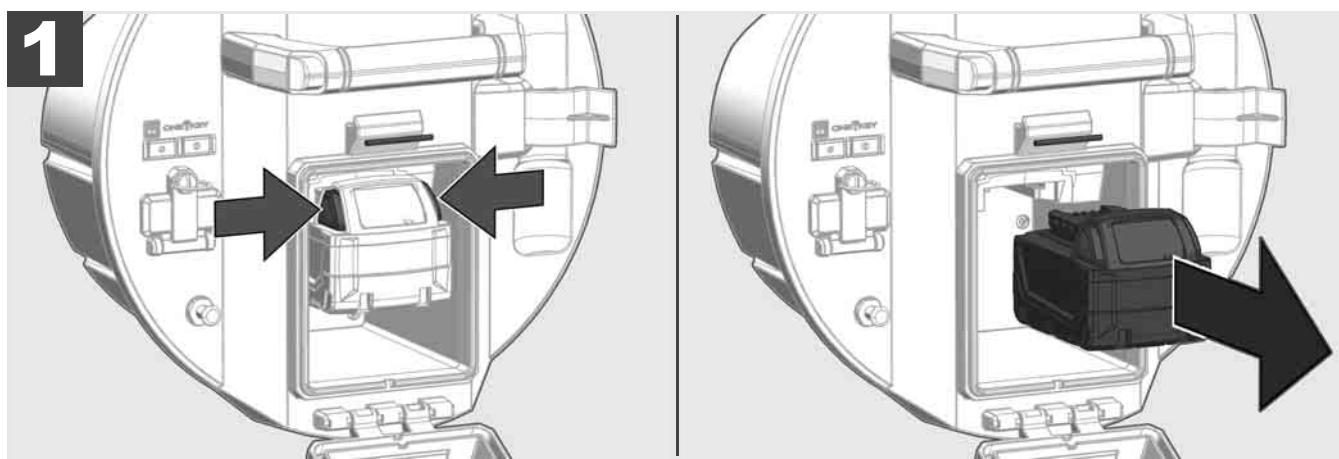
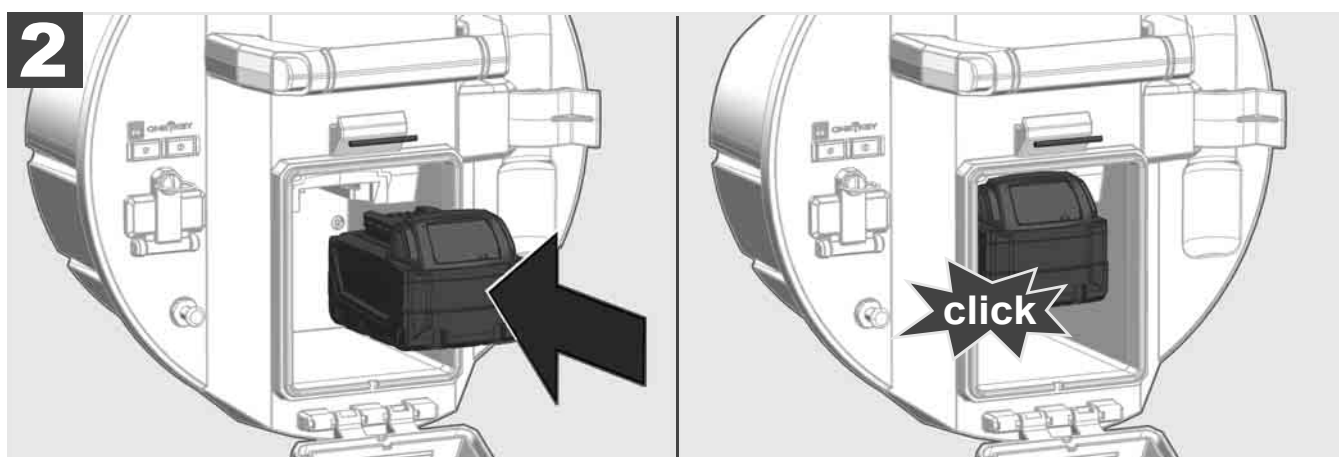
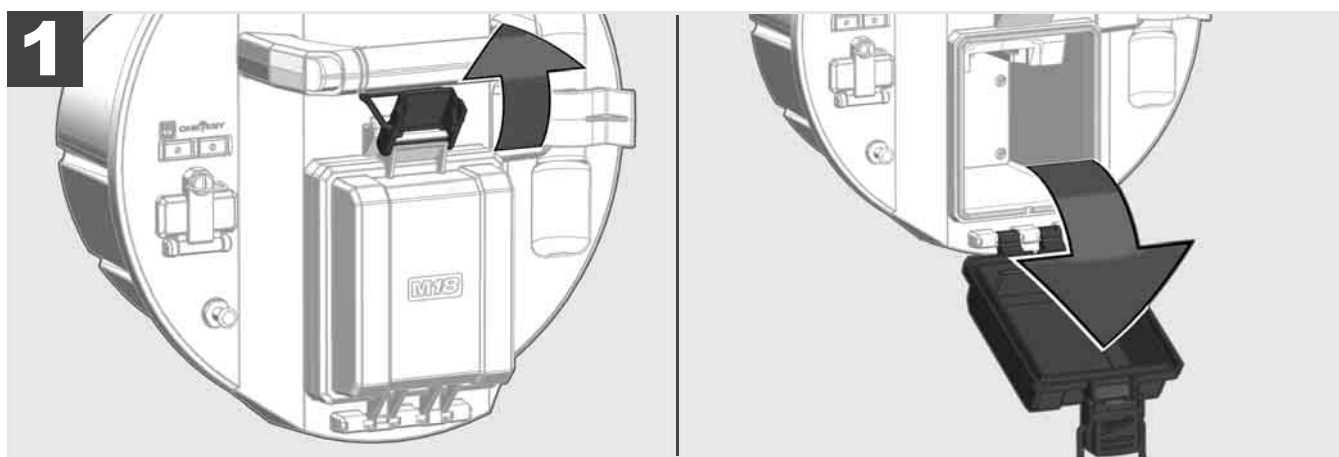
## 2 SMART HUB M18 SISH

### 2.1 Smart Hub M18 SISH ülevaade



- 1 Vedrukinnitusklamber – vedru ja kaamera kinnitamiseks transpordi ajaks.
- 2 Vedrupesa – hoiab vedru ja kaamerat transportimise ning hoiustamise ajal omal kohal.
- 3 Kaablijuhik – enne Smart Hub lukustamist viige vedru ja kaabel juhikust läbi.
- 4 Sang
- 5 Vabastusnupp – vajutage seda nuppu, et vabastada Smart Hub toruvaatluskaabli trumli küljest.
- 6 Pealüliti – vajutage korraks, et seade sisse lülitada; hoidke all, et seade välja lülitada.
- 7 Kaablipikkuse lähtestusnupp – lähtestab keritud kaabli pikkuse nulli peale.
- 8 ONE-KEY-LED ekraan
- 9 USB-A-Port – videote ja fotode, samuti riistvara uuenduste vahetuks salvestamiseks.
- 10 USB-C-Port – optimaalne kommunikatsiooni- ja andmeühendus juhtmeta monitori M18 SIM ja Smart Hub vahelise ühenduse loomiseks.
- 11 USB ühenduskate – veekindel kate, mis kaitseb USB-liitmike tolmu ja niiskuse eest.
- 12 Maandusvarras – Smart Hub maandamiseks kaabli jälgimise ajal.
- 13 Aku kate – veekindel kate, mis kaitseb akut tolmu ja niiskuse eest.
- 14 Aku pesa – akule M18™
- 15 Liitmik Smart Hub ja toruvaatluskaabli trumli vahelise ühenduse loomiseks.
- 16 Kaamera kontrollühendus – vigade kõrvaldamiseks kaamerapea probleemide korral

## 2.2 Aku sissepanek ja väljavõtmine



## 2.3 Aku laetusastme kontrollimine



78-100 %



55-77 %



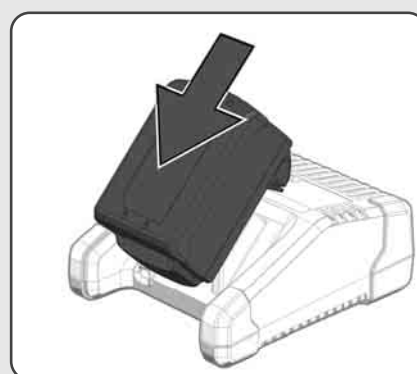
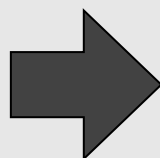
33-54 %

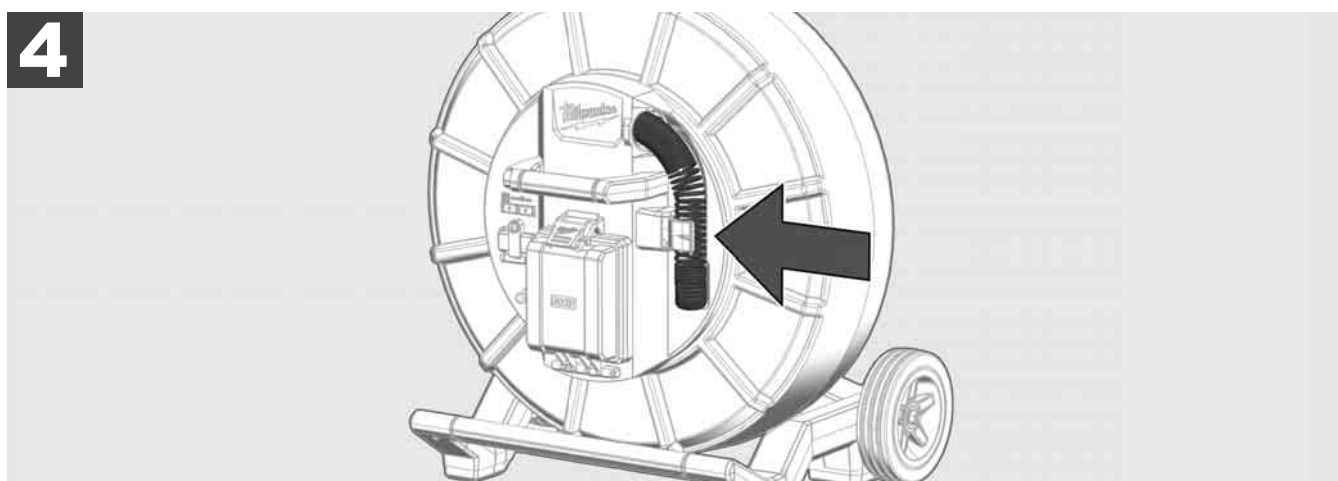
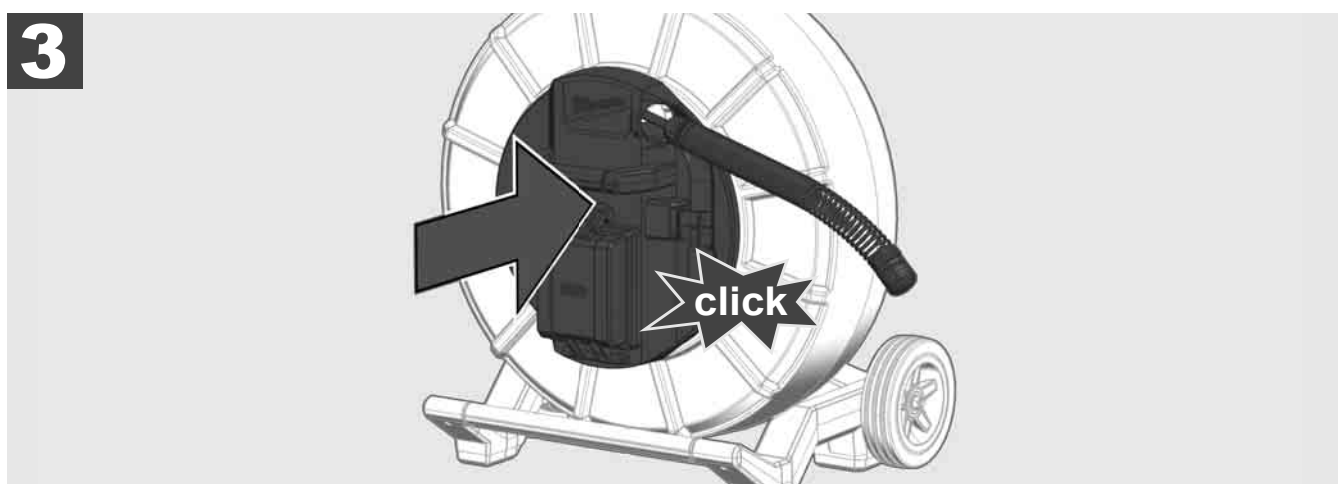
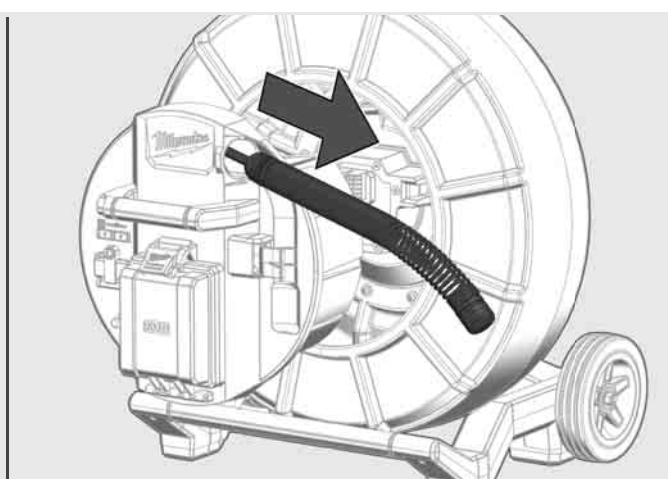
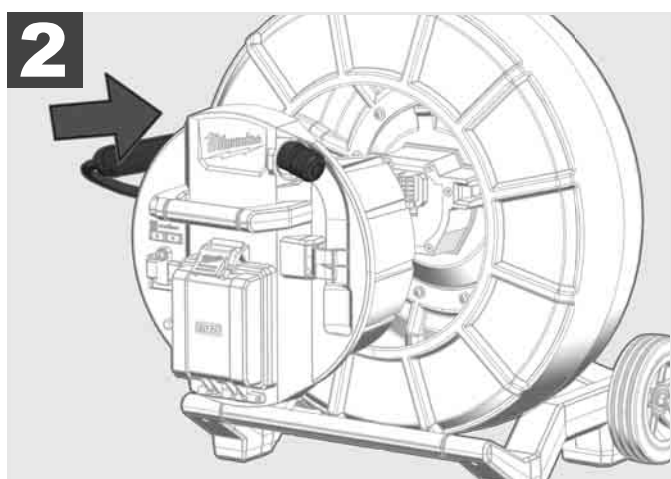
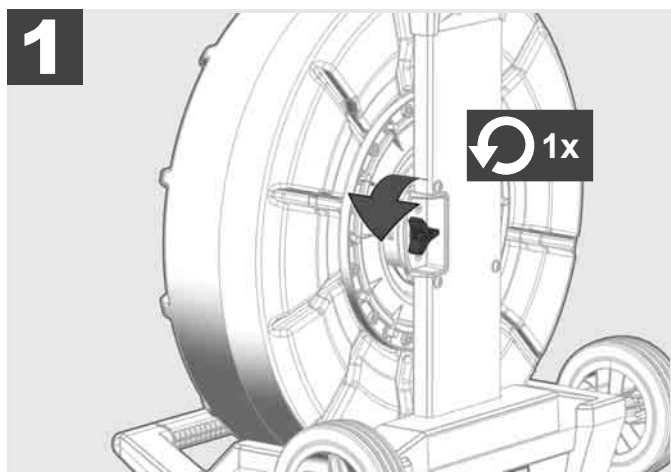


10-32 %



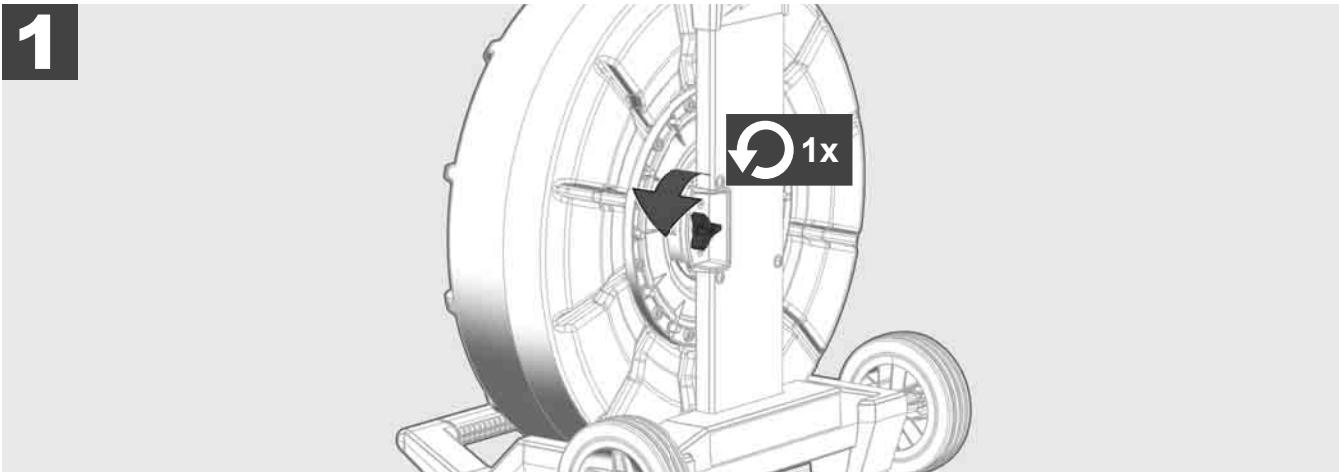
< 10 %



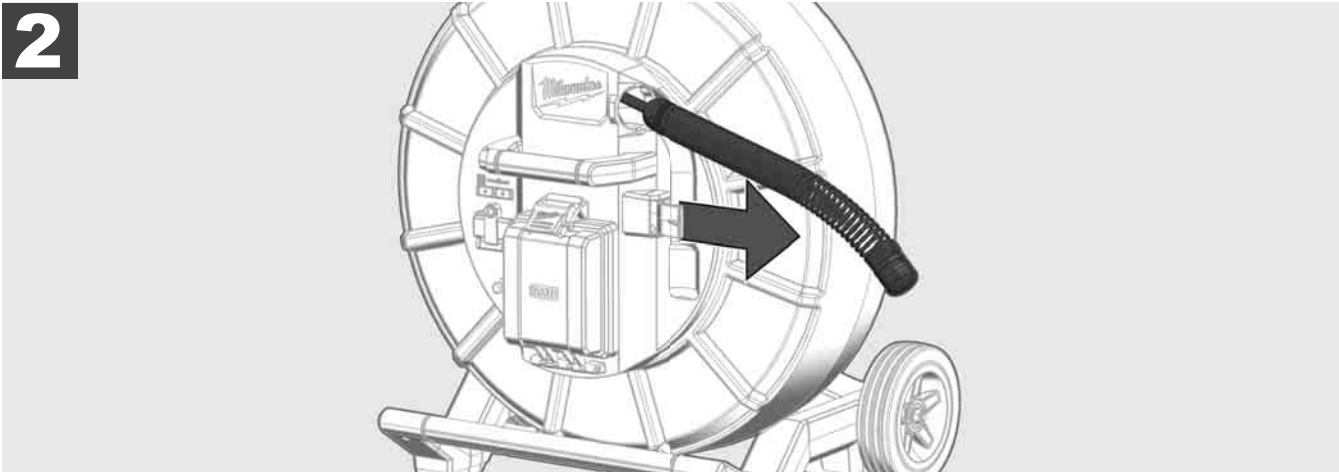




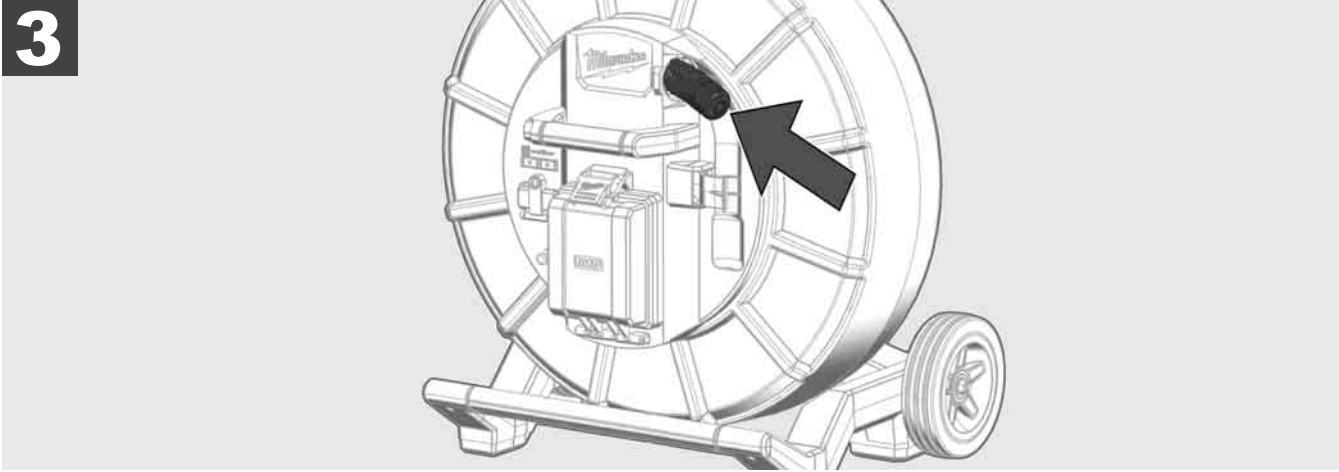
**1**



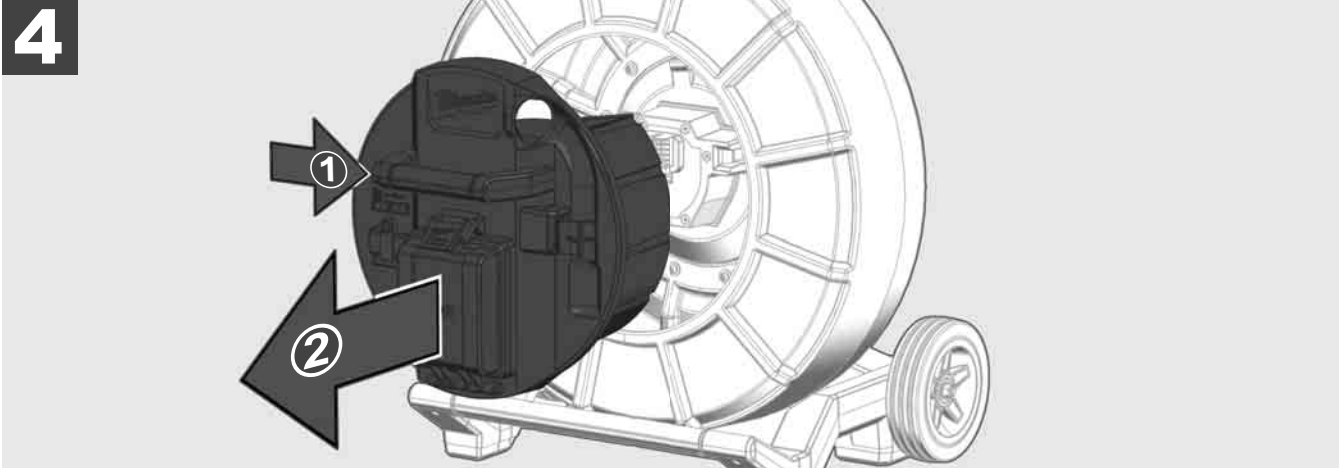
**2**



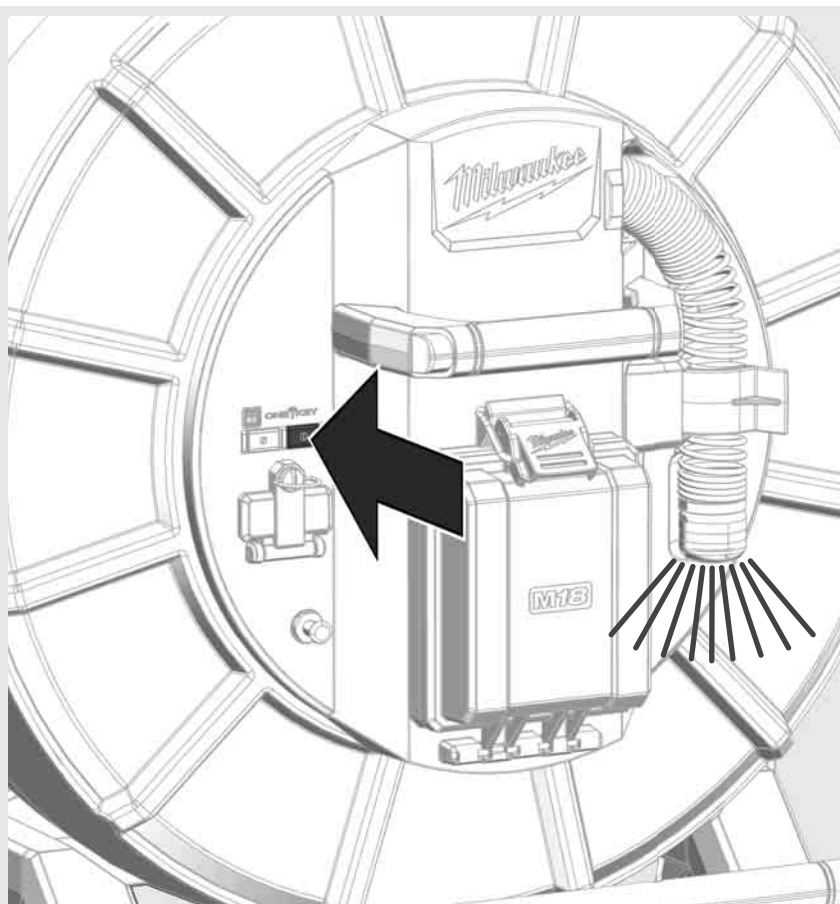
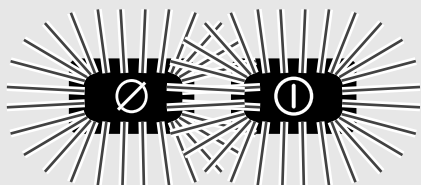
**3**



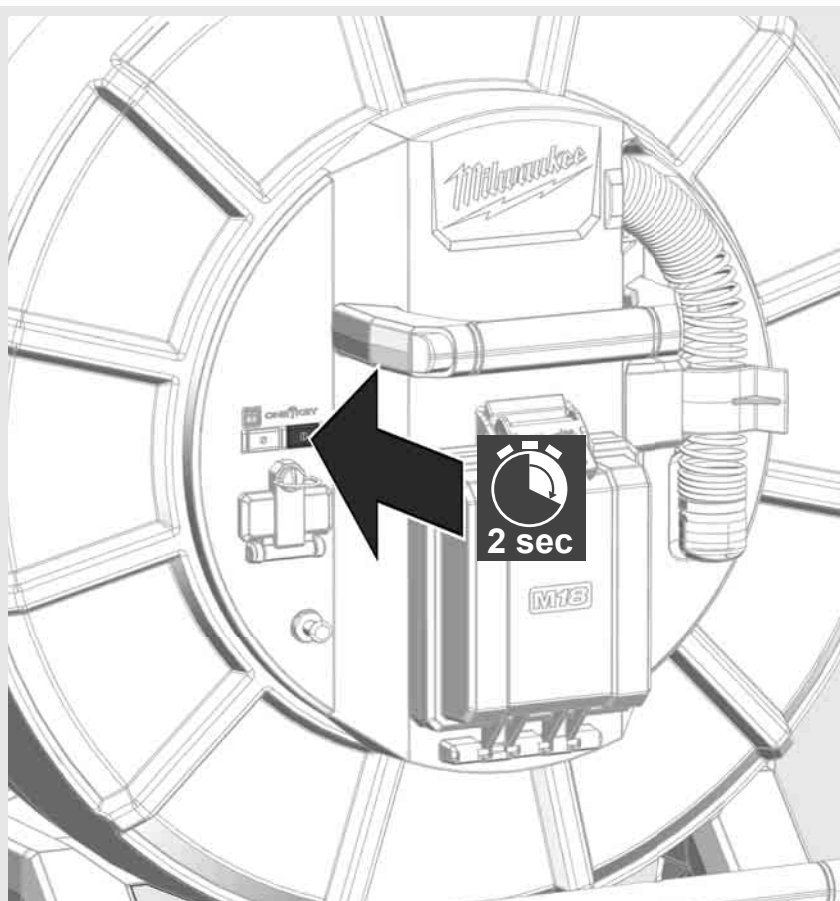
**4**



**ON**



**OFF**





## 2.7 Monitori ühendamine

TORUVAATLUSSÜSTEEMI sätete muutmiseks, selle funktsioonide juhtimiseks ja kaameraga tehtud piltide ja videote näitamiseks on vaja välist näidikut.

TORUVAATLUSSÜSTEEMI tarnekomplekt ei sisalda välist näidikut ning see tuleb eraldi juurde osta.

Saadaval on alljärgnev varustus.

- MILWAUKEE JUHTMETA MONITOR M18 SIM

- Tahvelarvuti või nutitelefon koos MILWAUKEE TORUVAATLUSRAKENDUSEGA

TRAADITA MONITOR ühendatakse WLANi või USB-C-pordi kaudu TORUVAATLUSSÜSTEEMI külge ja on kohe kasutusvalmis. Tahvelarvuti või nutitelefoni korral installeerige kõigepealt MILWAUKEE TORUVAATLUSRAKENDUS vastavasse seadmesse.

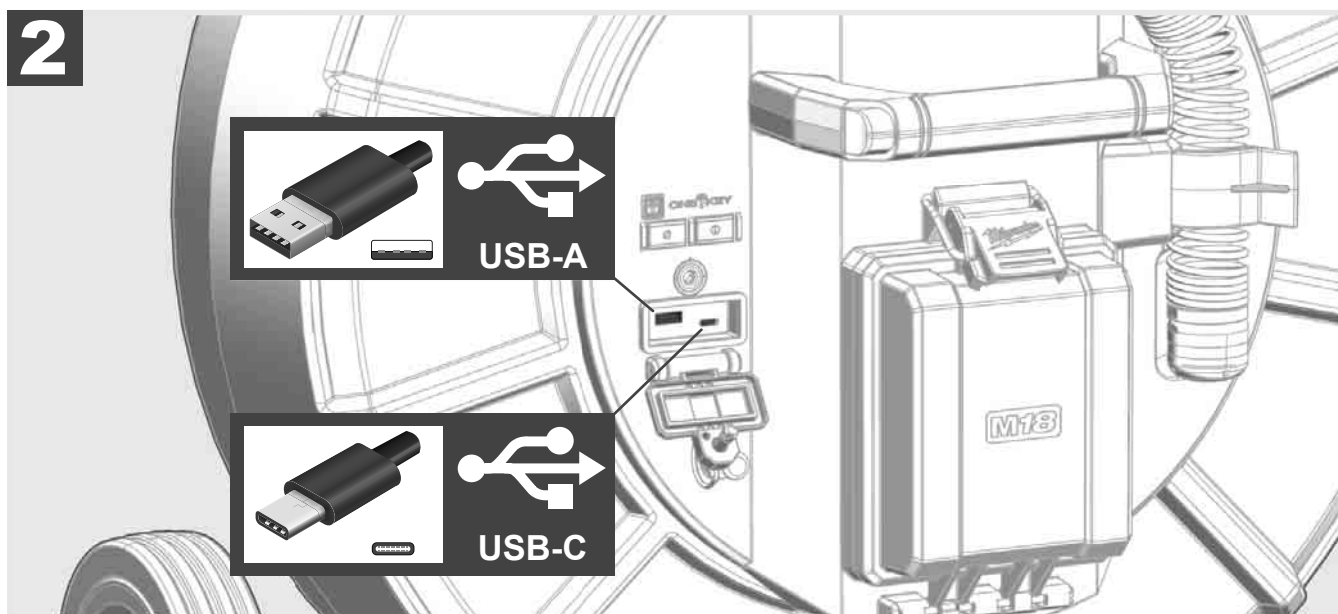
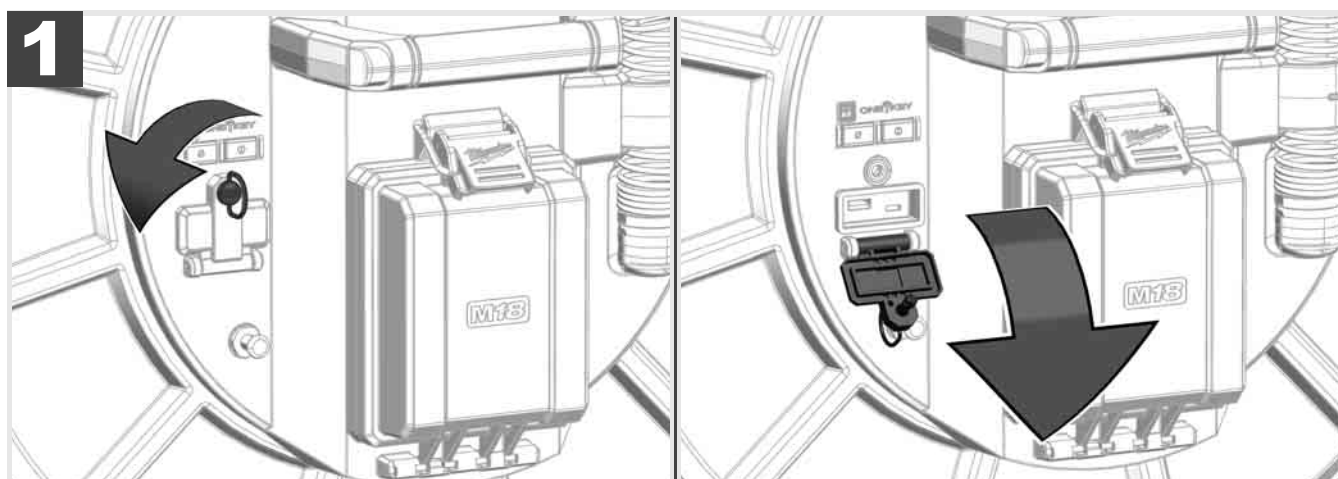
### **ESMANE KASUTUS JUHTMETA MONITORIGA M18 SIM**

1. Lülitage SMART HUB ja TRAADITA MONITOR sisse.
2. TRAADITA MONITOR ühendab end 25 sekundi jooksul automaatselt SMART HUB'IGA.

\*Kaabliühenduseks ühendage monitor USB-C-kaabli kaudu Smart Hub külge.

### **ESMANE KASUTUS NUTITELEFONI VÕI TAHVELARVUTIGA:**

1. laadige MILWAUKEE toruvaaltusrakendus alla ja installeerige.
2. Lülitage Smart Hub ja näidik sisse.
3. Suvand Seadistused > Valige WLAN.
4. Valige suvand MTCAM\_\[LAST 9 DIGITS OF HUB SERIAL #].
5. Sisestage parool: 29702000
6. Käivitage MILWAUKEE TORUVAATLUSRAKENDUS.

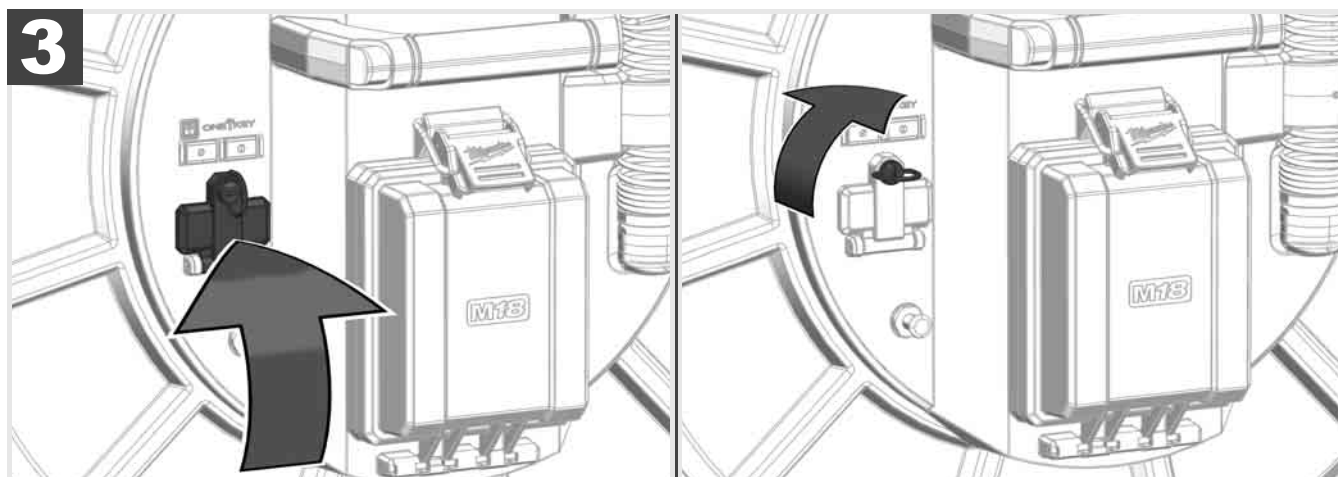


### USB-A

- Pesa tavaliseks kasutuseks. Võimaldab video- ja pildifailide vahetut jäädvustamist või nende ülekandmist sisemisest Smart Hub draivist.
- Võimaldab teha Smart Hub riistvara värskendusi.

### USB-C

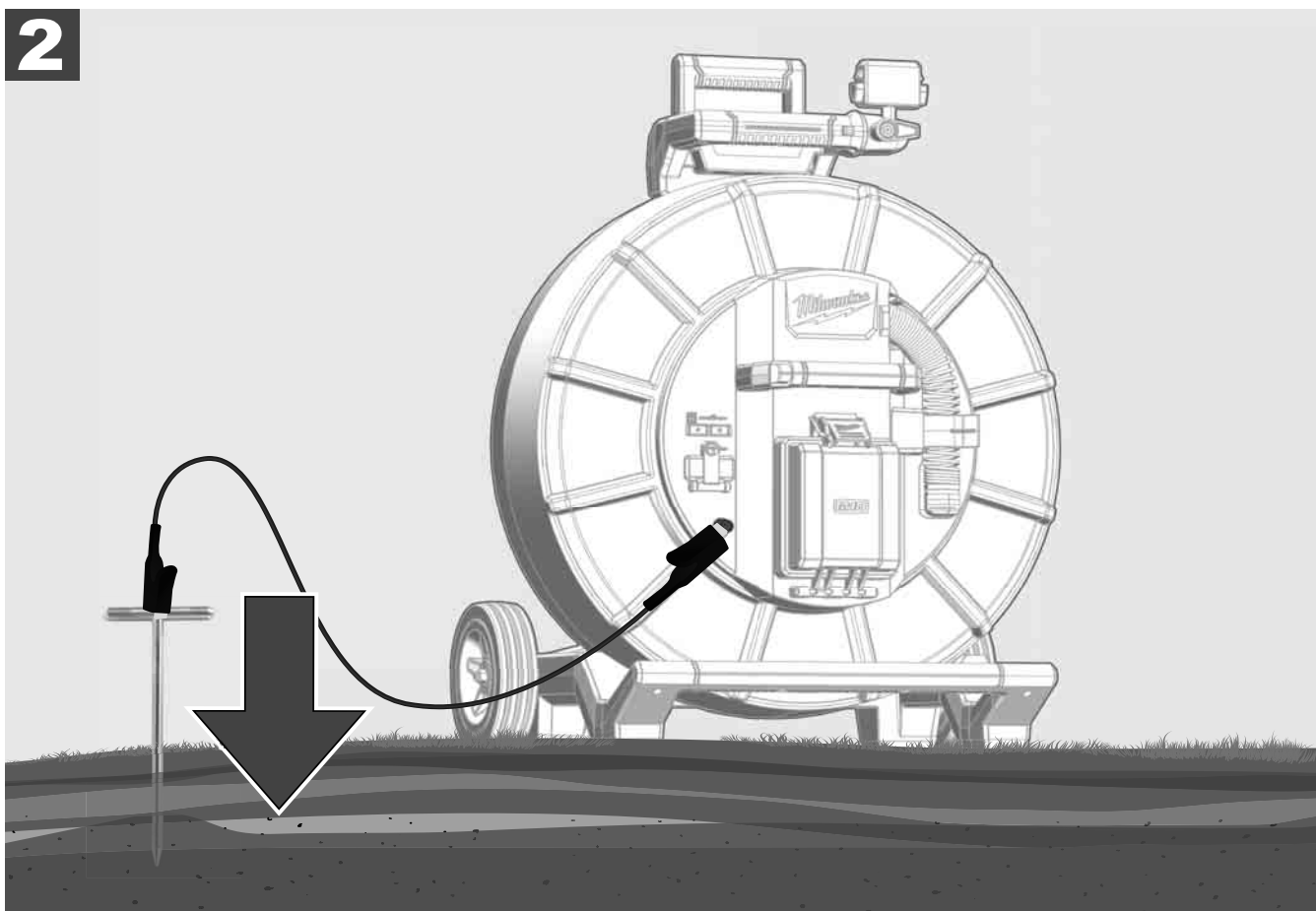
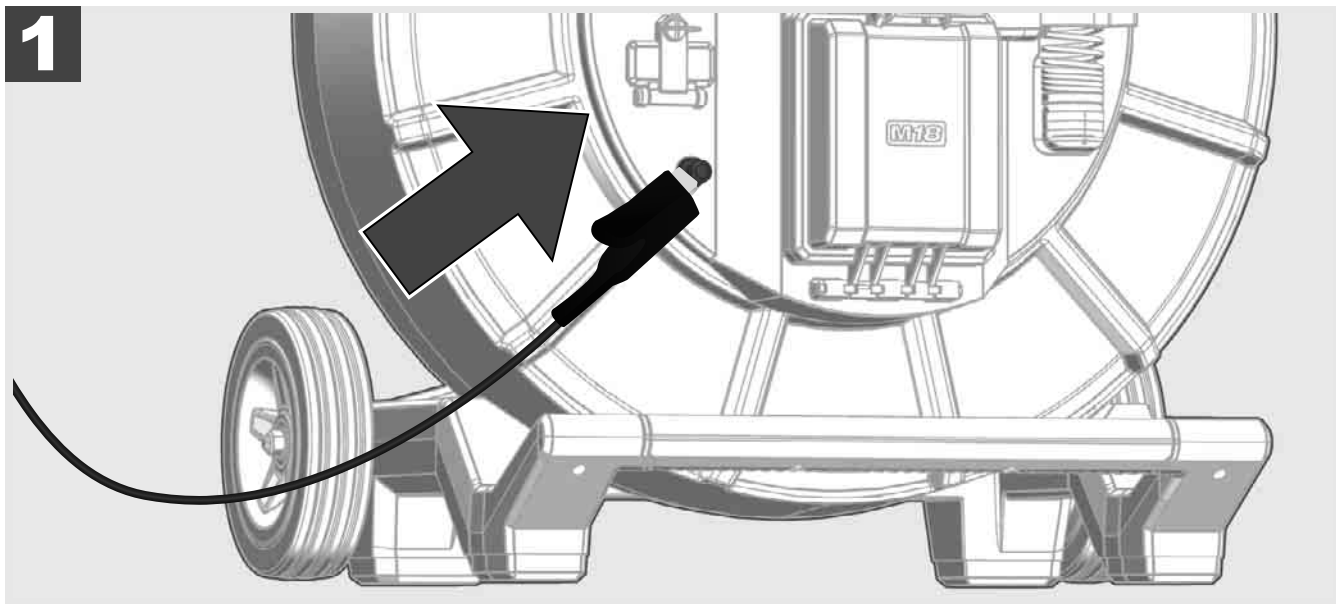
- Võimaldab ühendada juhtmeta monitori M18 SIM ja ilma WLAN-ühenduseta Smart Hub. Smart Hub toitevool juhtmeta monitori M18 SIM kaudu või vastupidi, kui aku pole laetud.



## 2.9 Maandusvarras



Maandusvarrast tuleb kasutada alati siis, kui kaablit tuleb jälgida funktsiooni KAABLI JÄLGIMINE abil. Smart Hub tuleb maandada, et vooluahel oleks suletud ja et hea asukoha määramise signaali saatmine oleks tagatud. Smart Hub maandamiseks tuleb kasutada kaasasolevat maanduskaablit koos maandusvardaga.

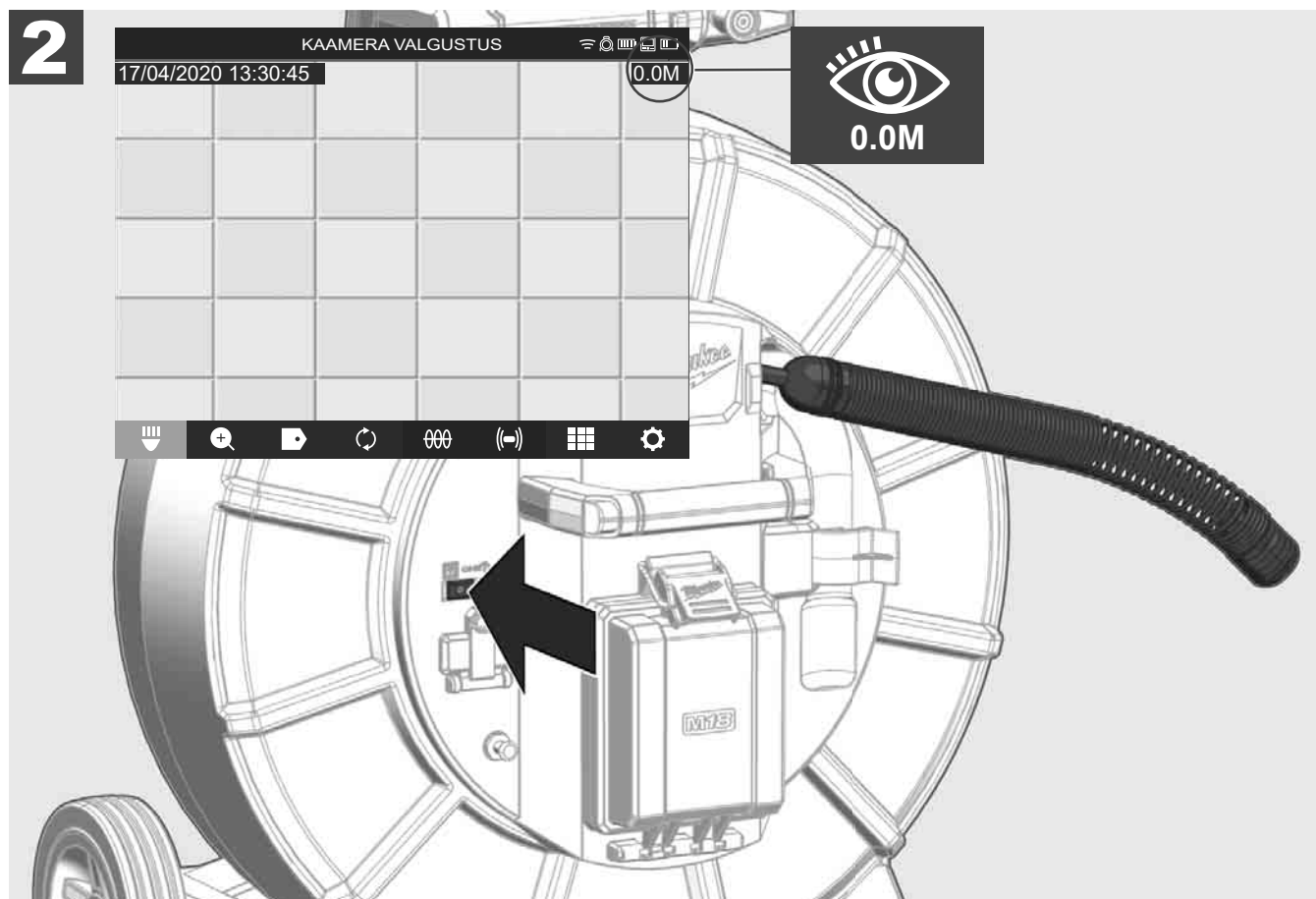
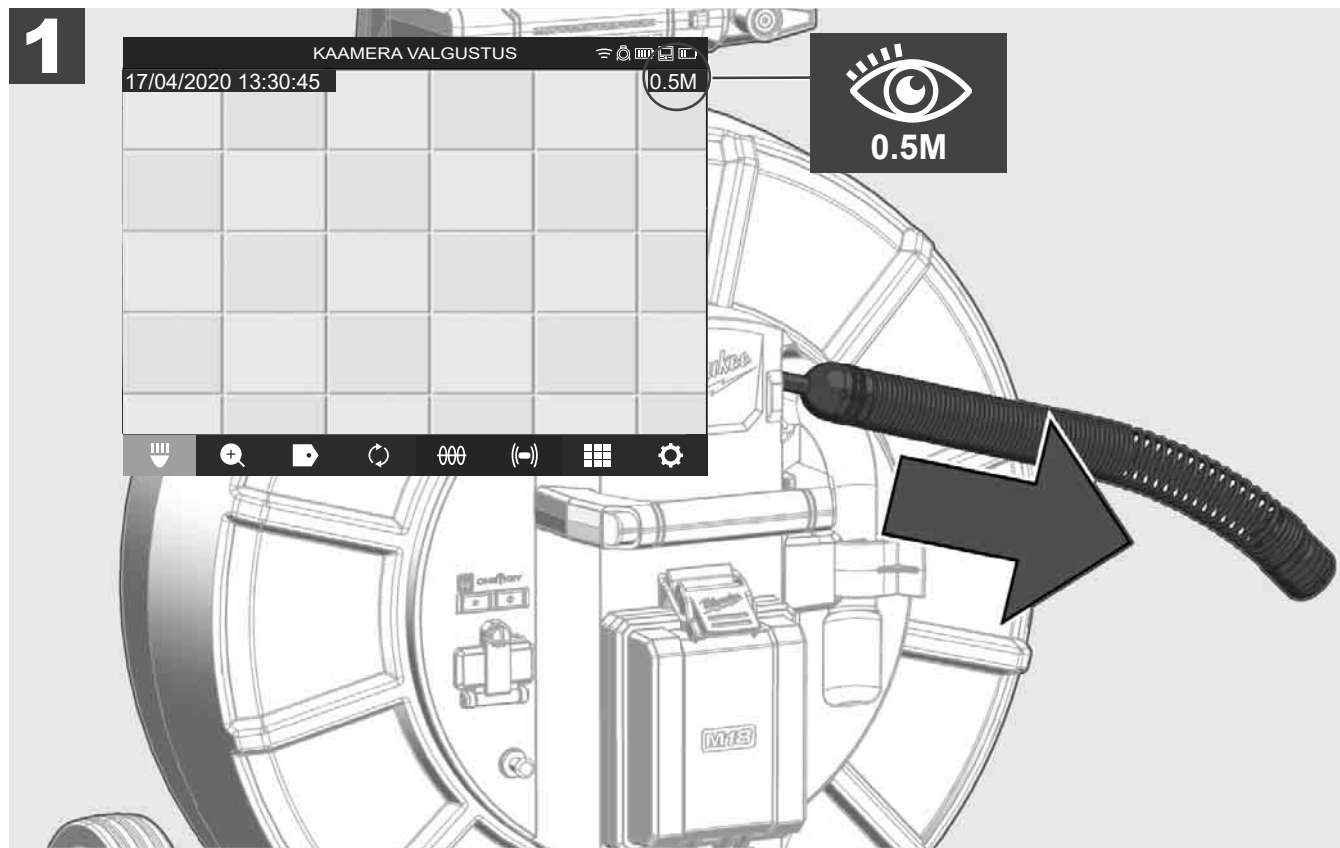


## 2.10 Pikkuse arvesti lähtestamine



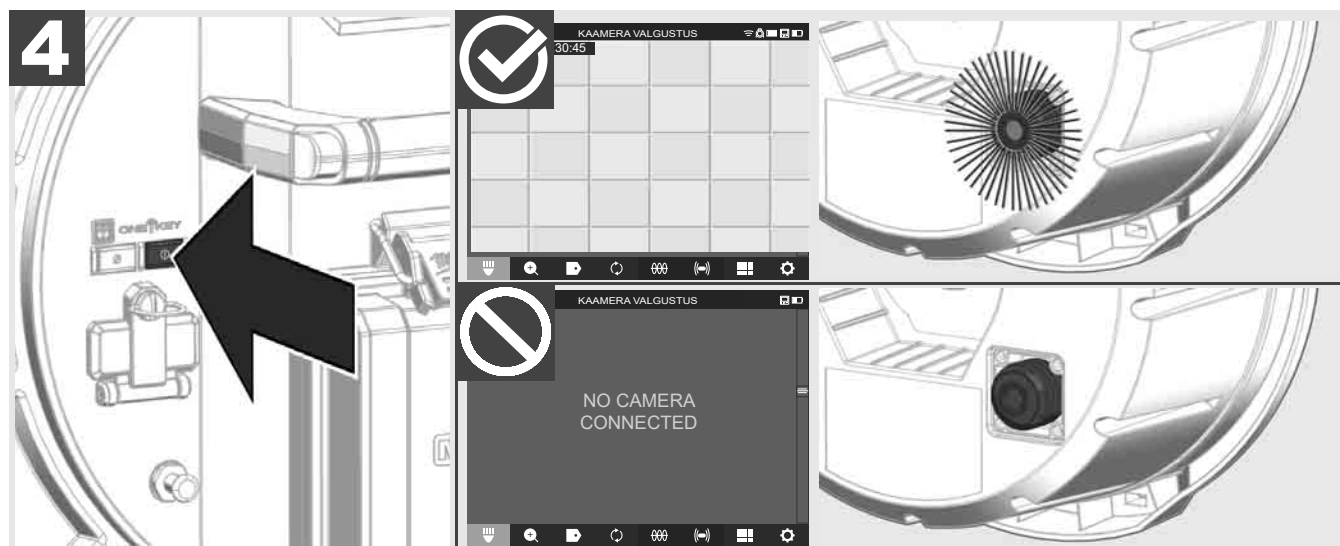
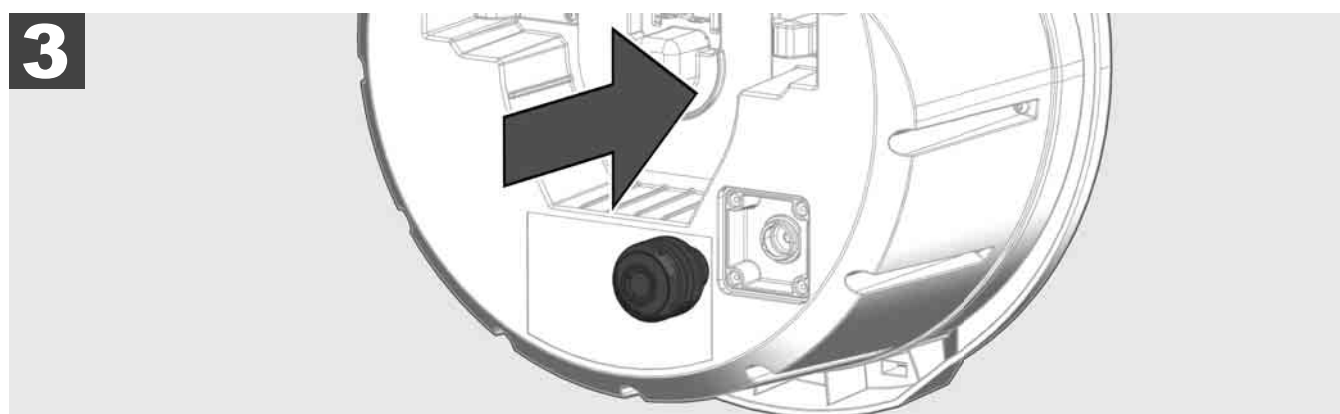
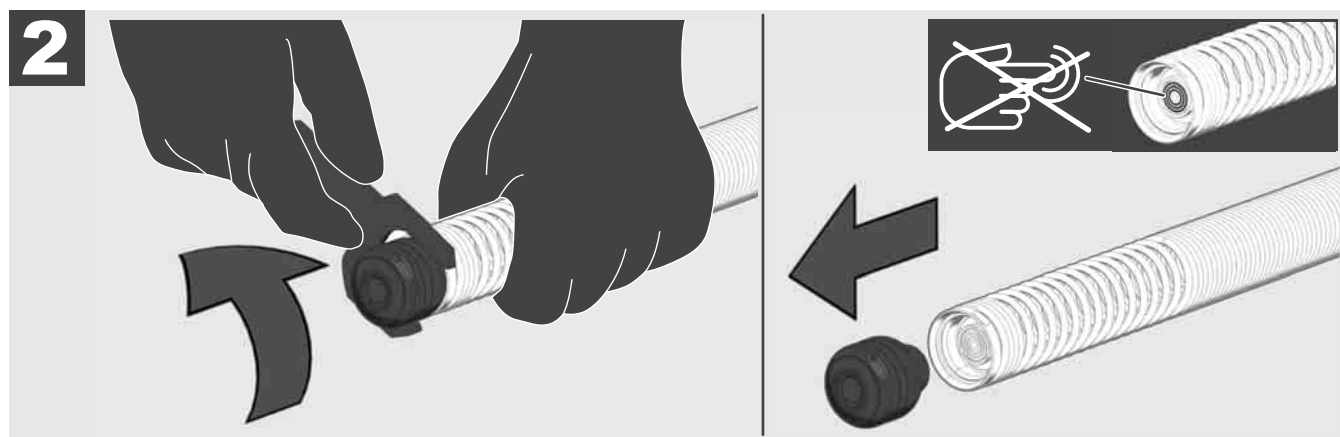
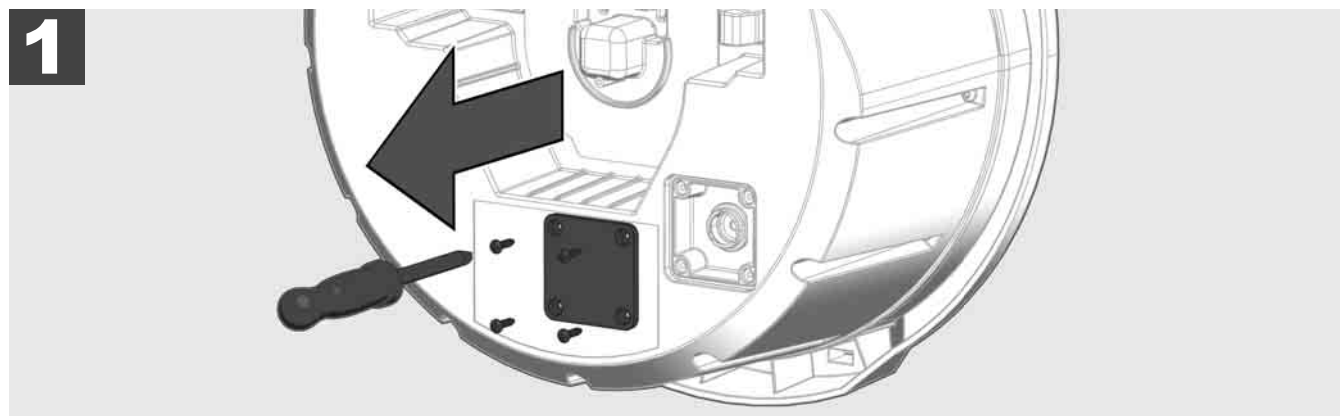
Kaabli mahakerimisel TORUVAATLUSTRUMLILT kuvatakse mahakeritud kaabli pikkus juhtmeta monitori M18 SIM olekuribal.

Näidiku lähtestamiseks vajutage nuppu .



## 2.11 Kaamera kontrollühendus

Kui kaamerapeaga peaks esinema mis tahes probleeme, saab kaamerat kontrollühenduse kaudu kontrollida.

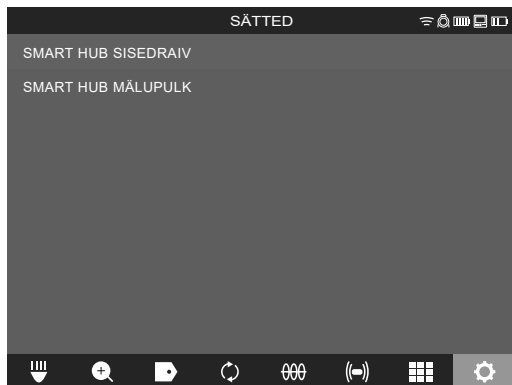


## 2.12 Sisemise draivi ja USB-pulga vormindamine

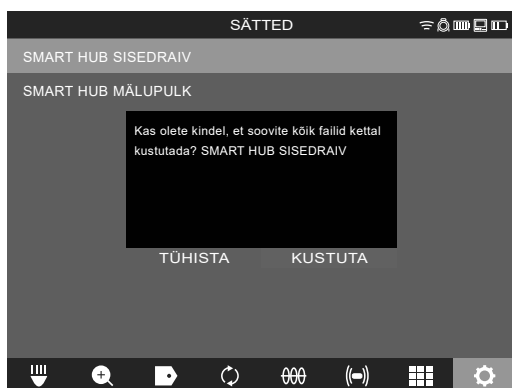
Selle funktsiooniga saate Smart Hub sisemist 500 GB draivi või mälupulka vormindada.

USB-pulgad tuleb vormindada FAT32 vormingusse.

1. Valige **SÄTTED**  → **MÄLUSEADE VORMINDAMINE**
2. Valige mäluseade.



3. Kinnitage ekraanile ilmunud teade.



Valitud draiv vormindatakse ja süsteem pöördub tagasi menüüsse **SÄTTED**

## 2.13 Tehasesätted

Tehasesätete funktsiooni valimine lähtestab Smart Hub M18 SISH tagasi tehasesätetele.

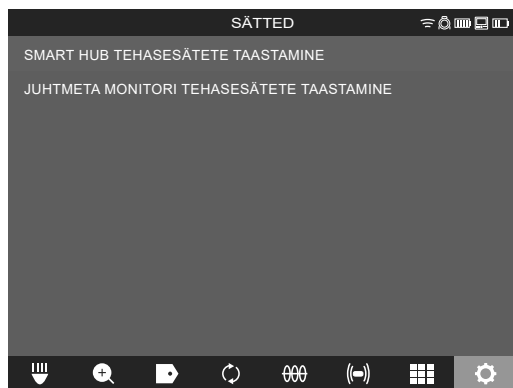
Lähtestatakse Smart Hub M18 SISH alljärgnevad sätted:

- TÄHISED kustutatakse.
- VIDEO- ja PILDISÄTTED lähtestatakse 1080 P peale.
- ETTEVÖTTE NIMI kustutatakse.
- SONDI SAGEDUS lähtestatakse tehasesätetele.
- KAABLI JÄLGIMINE lähtestatakse tehasesätetele.
- EKRAANI SEADISTUSED lähtestatakse tehasesätetele. Värvitoon, eredus, kontrastsus, küllastus.
- MÕÖTEÜHIKUD

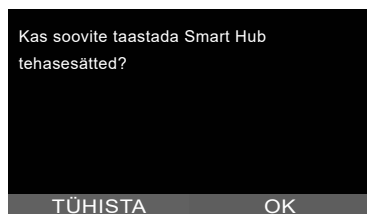
1. Valige **SÄTTED**  → **TEHASESÄTTED**



2. Valige **TEHASESÄTTED** Smart Hub M18 SISH.



3. Lugege ja kinnitage lähtestusteade, vajutades OK.



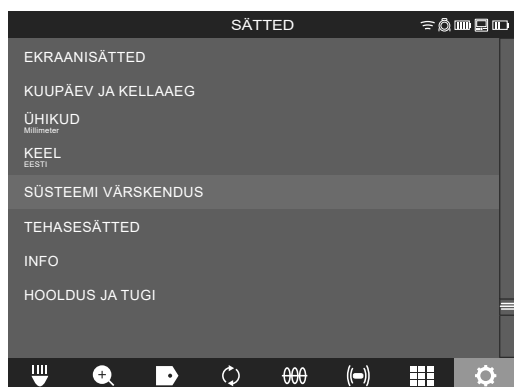
Lähtestus tehasesätetele on lõpule viidud ja süsteem pöördub tagasi alammenüüsse **TEHASESÄTTED**.

## 2.14 Süsteemi värskendus

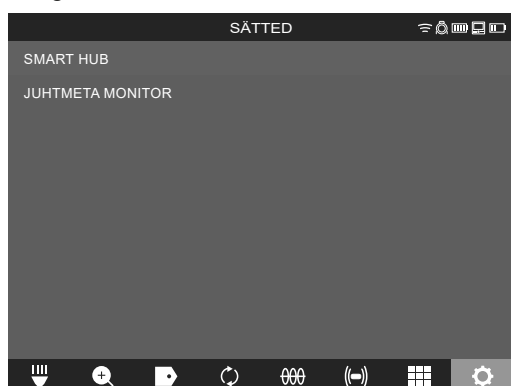
Enne süsteemi värskendust avage menüü **SÄTTED** → **INFO** ja valige asjakohane püsivara versioon.

Püsivara saab värskendada kas juhtmeta monitori M18 SIM või tahvelarvutiga, millele on installitud Milwaukee® toruvaatlusrakendus.

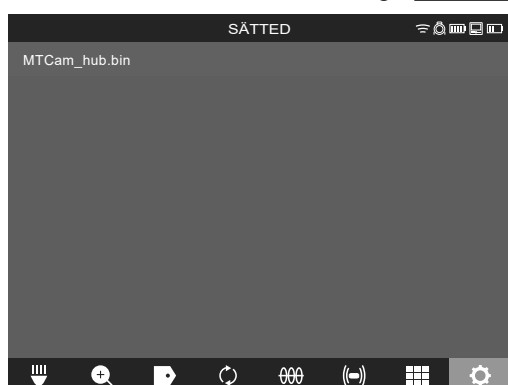
1. Lülitage Smart Hub M18 SISH ja juhtmeta monitor M18SIM või Milwaukee® toruvaatlusrakendusega tahvelarvuti sisse.
2. Veenduge, et juhtmeta monitor M18 SIM või tahvelarvuti on WLAN võrgu kaudu Smart Hub M18 SISH ühendatud. Kui WLAN võrgu ühendus puudub, tuleb see kõigepealt luua.
3. Pistke püsivara värskendusega mä lupulk Smart Hub M18 SISH USB-A-pessa.
4. Valige **SÄTTED** ⚙️ → **SÜSTEEMI UUENDUS**



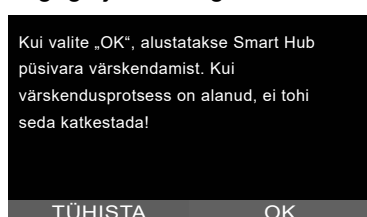
5. Valige Smart Hub M18 SISH.



6. Värskenduse failinimi kuvatakse ekraanil. Värskenduse käivitamiseks valige **FAILI NIMI**.



7. Lugege ja kinnitage hoiatusteade, vajutades OK.

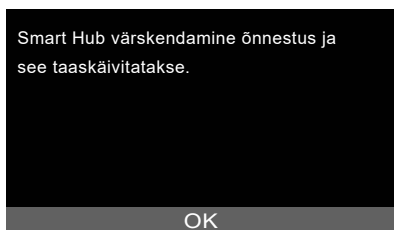




8. Edenemistulbas on näha värskenduse kulg.

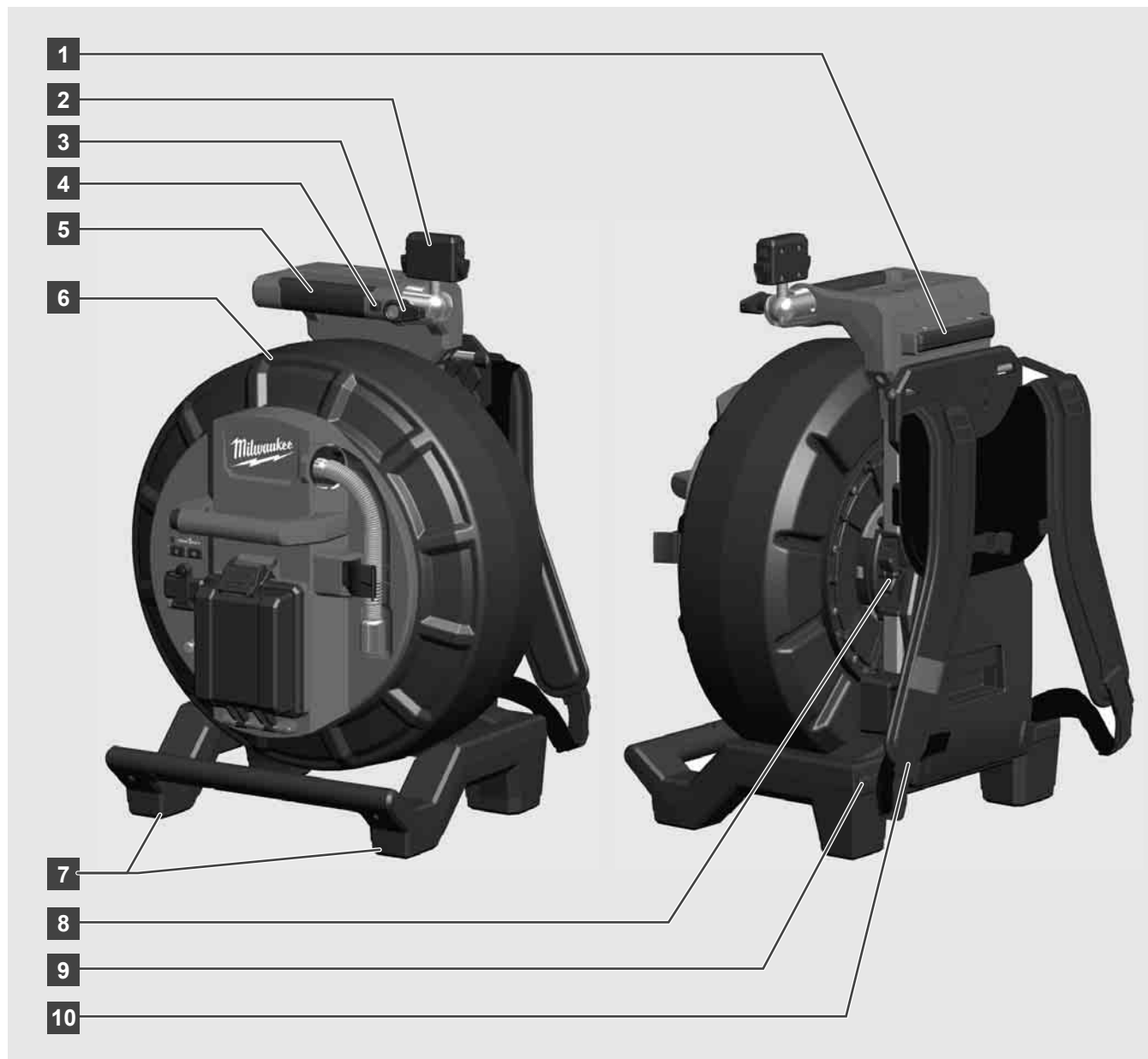


9. Värskenduse lõppedes ilmub teade, mis tuleb kinnitada. Süsteemi taaskäivitamiseks valige OK.



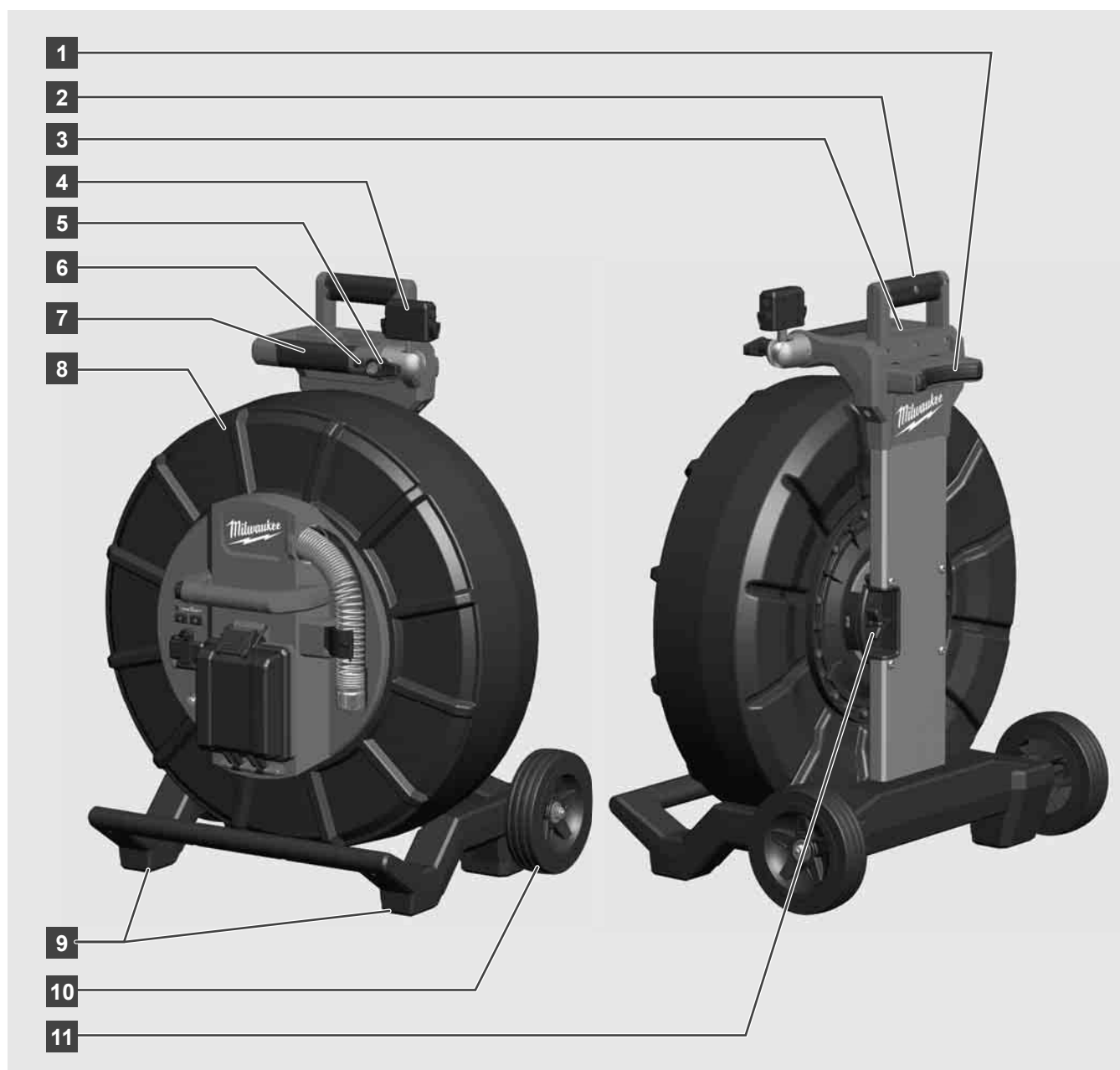
10. Tarkvaraversiooni ajakohastamise kontrollimiseks valige SATTED → INFO.

#### 3.1 Toruülevaatustrumli M18 SIC36 ülevaade



- 1 Reguleeritav jalg horisontaalseks kasutamiseks
- 2 Juhtmeta monitor M18 SIM – tahvelarvuti hoidja ja ühendus
- 3 Juhtmeta monitor M18 SIM – pöördlukustus
- 4 Juhtmeta monitor M18 SIM – kaldlukustus
- 5 Sang
- 6 Kaabliga kaablitrummel
- 7 Reguleeritav jalg vertikaalseks kasutamiseks
- 8 Kaablitrumli pidur
- 9 Reguleeritav jalg horisontaalseks kasutamiseks
- 10 Kandetugi

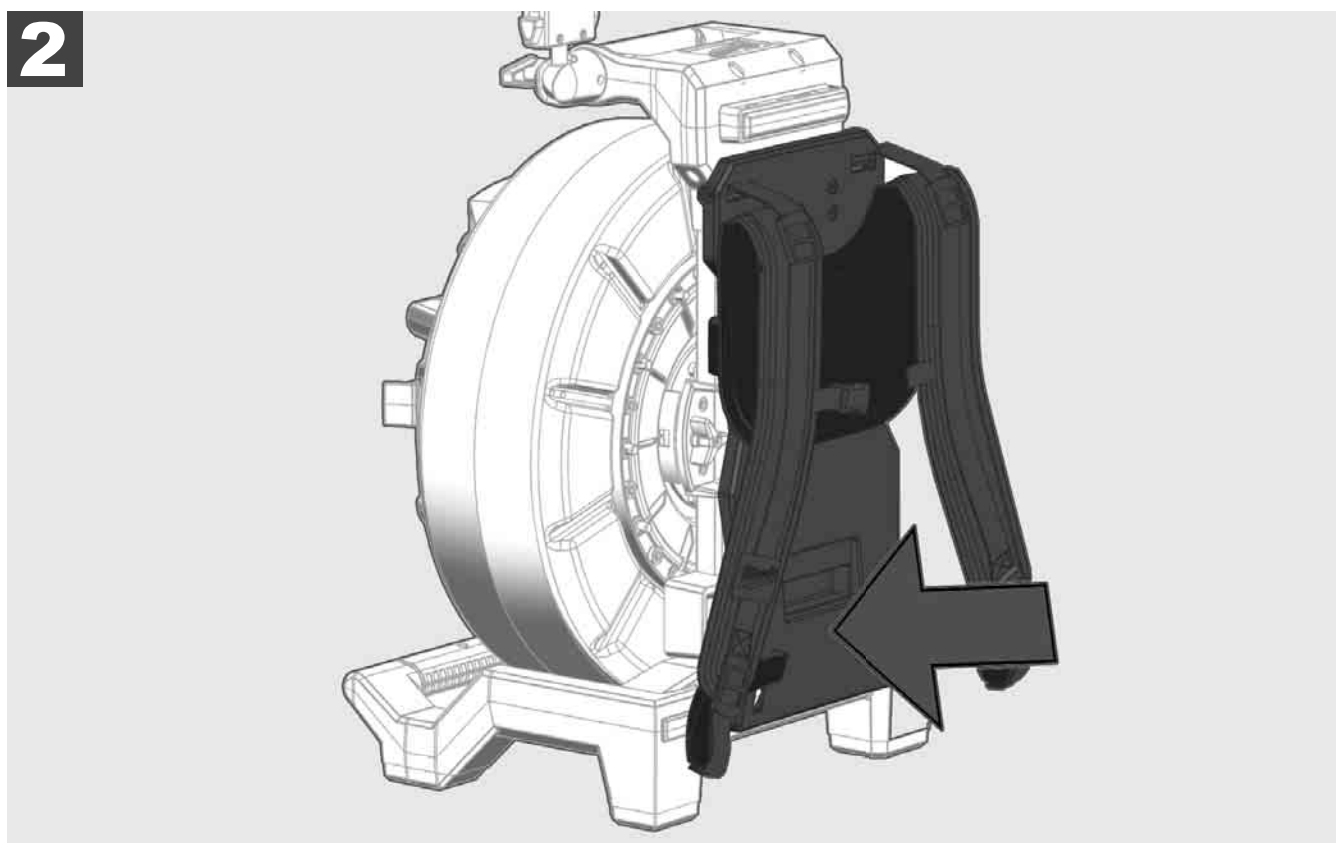
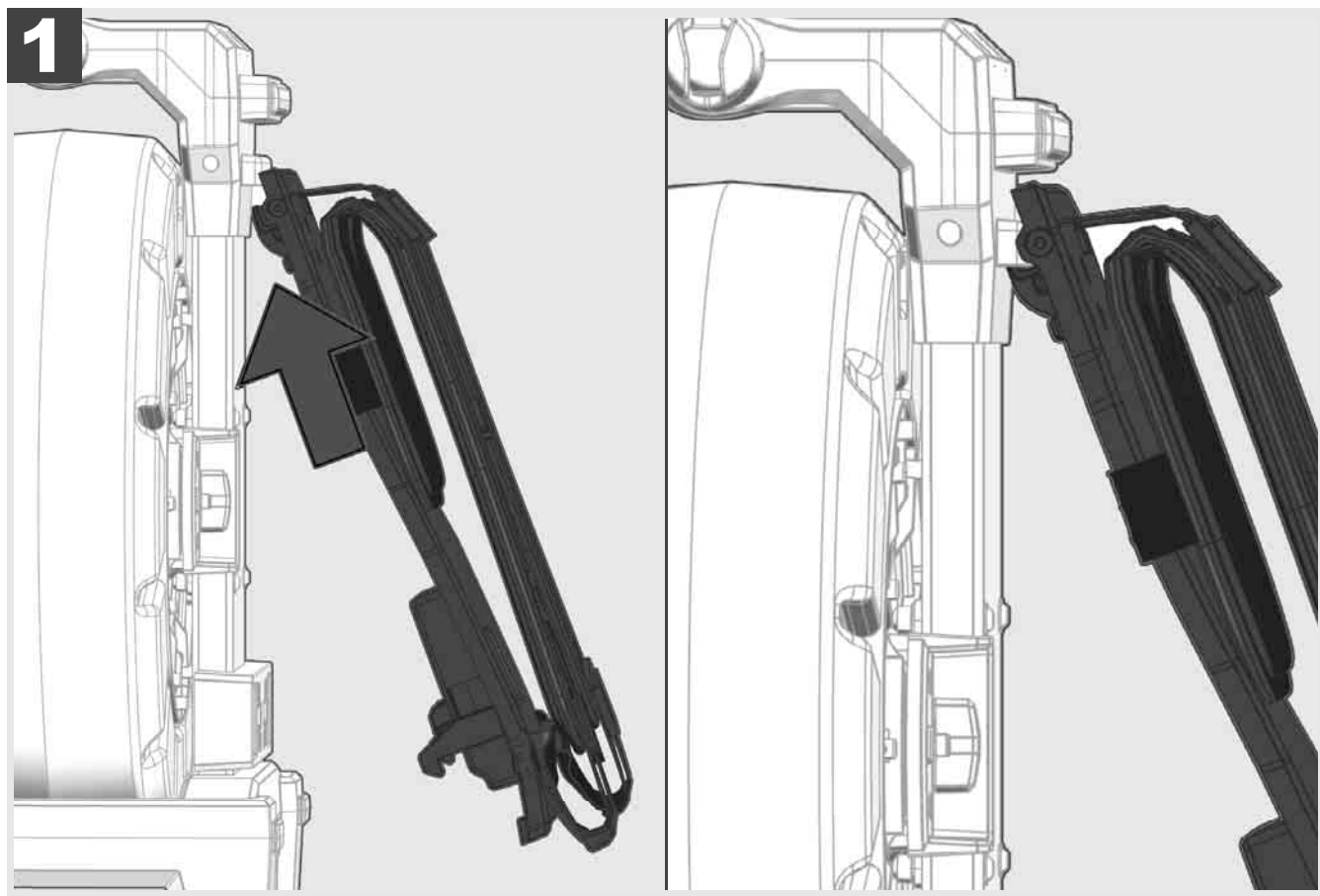
### 3.2 Toruvaatluustrumli M18 SIC60 ülevaade



- 1 Reguleeritav jalg horisontaalseks kasutamiseks
- 2 Väljatõmmatav sang (siselükatud asendis)
- 3 Nupp väljatõmmatava sanga lukustamiseks ja vabastamiseks
- 4 Juhtmeta monitor M18 SIM – hoidja / tahvelarvuti hoidja ja ühendus
- 5 Juhtmeta monitor M18 SIM – pöördlukustus
- 6 Juhtmeta monitor M18 SIM – kaldlukustus
- 7 Sang
- 8 Kaabliga kaablitrummel
- 9 Reguleeritav jalg vertikaalseks kasutamiseks
- 10 Rattad
- 11 Kaablitrumli pidur

### 3.3 Kandetoe paigaldamine

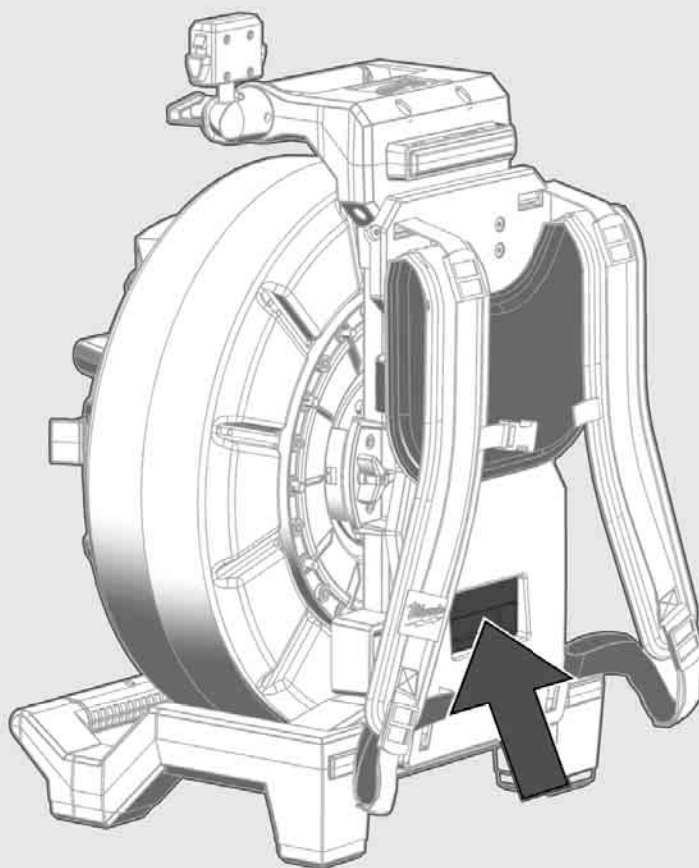
TORUVAATLUSTRUMMEL M18 SIC36 on varustatud kandetoe, millega saab trumlit seljakoti kombel seljas kanda. Sedasi on võimalik väikest trumlit mugavalt kasutuskohhta transportida – see on praktiline eelkõige treppidest tõusmisel või redelite kasutamisel.



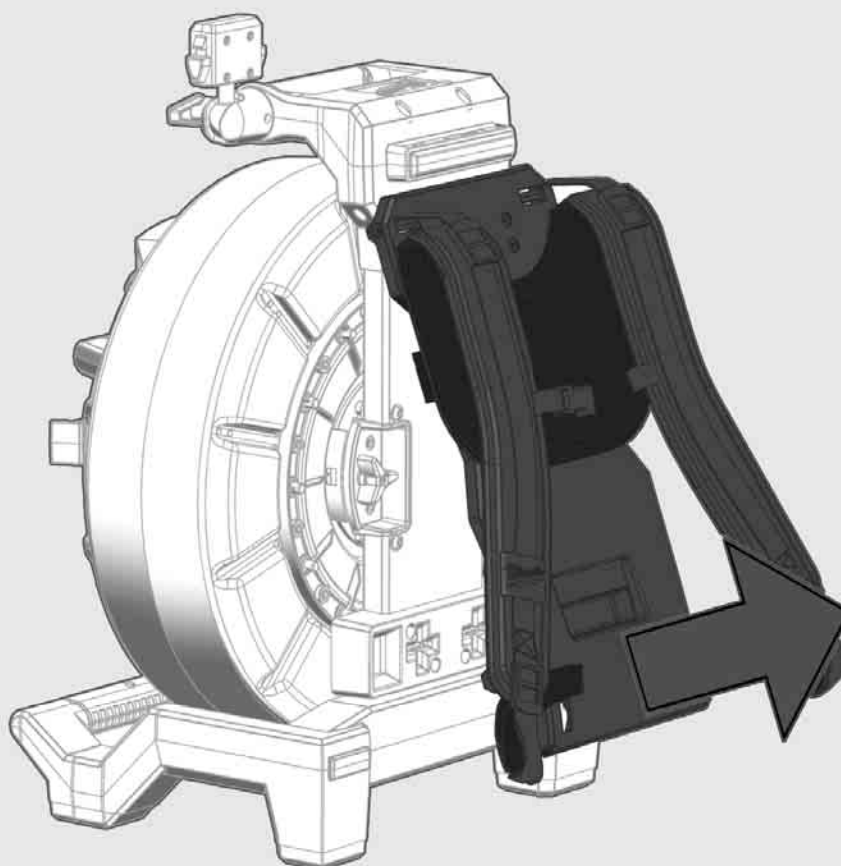
Tõstke kandetugi üles ja vajutage pöidla otsaga vastu alumist serva, kuni kandetugi lukustub. Veendumaks kandetoe lukustuses tõmmake seda korraks vastu.



**1**

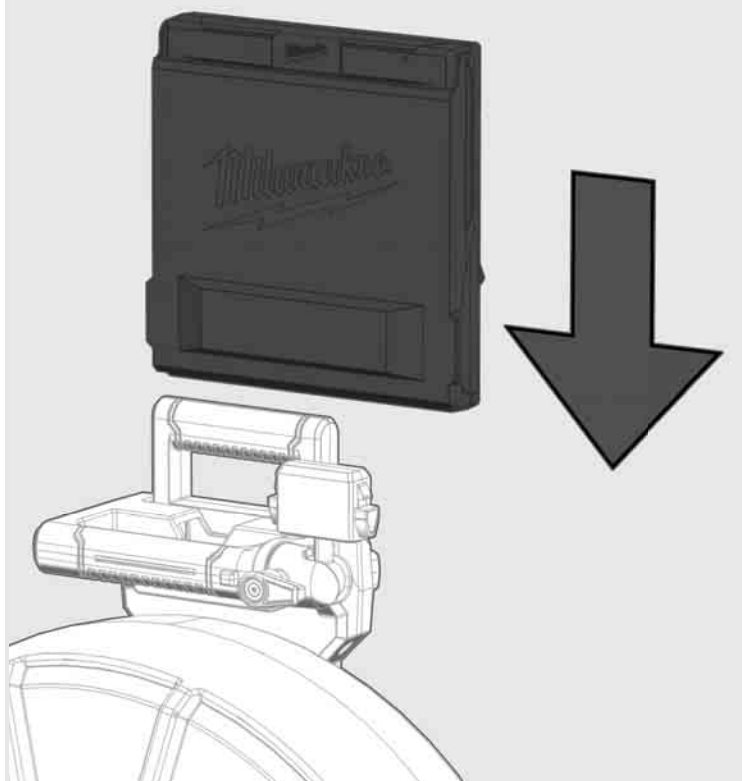


**2**

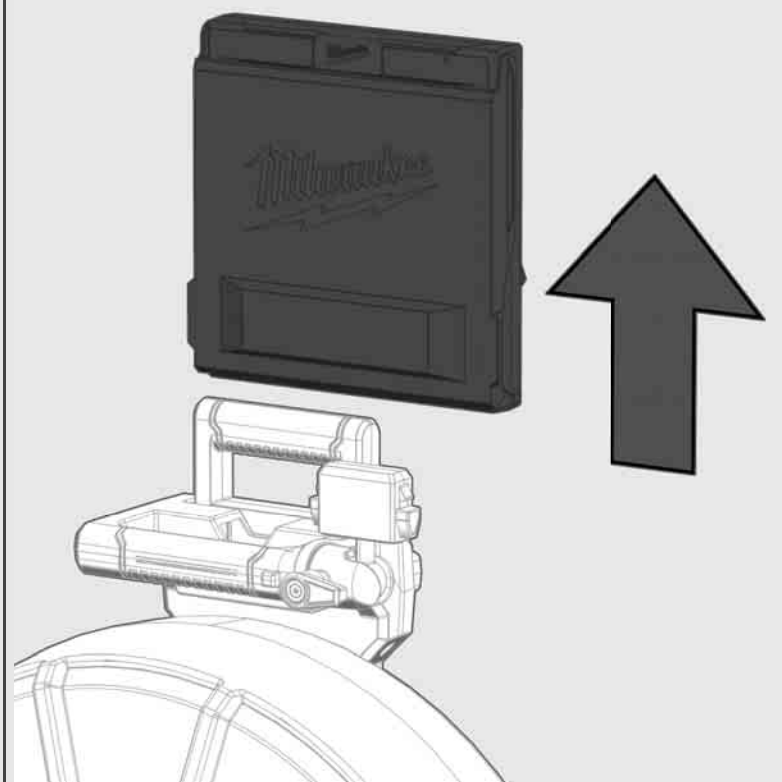
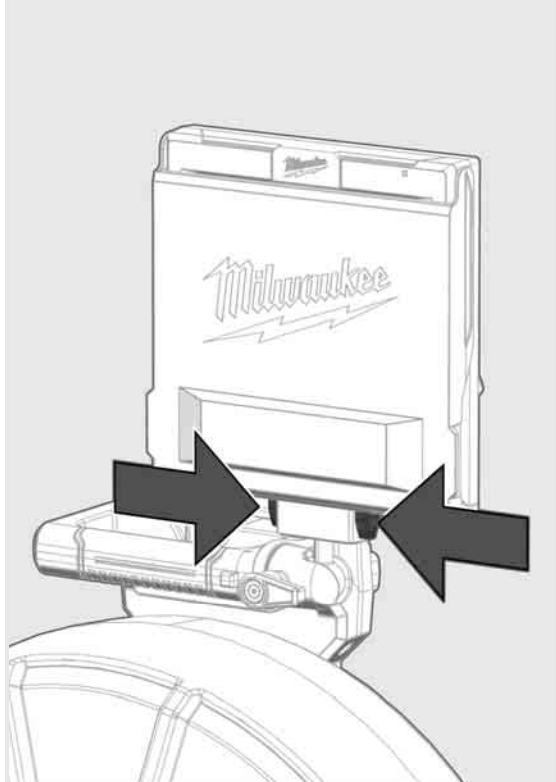


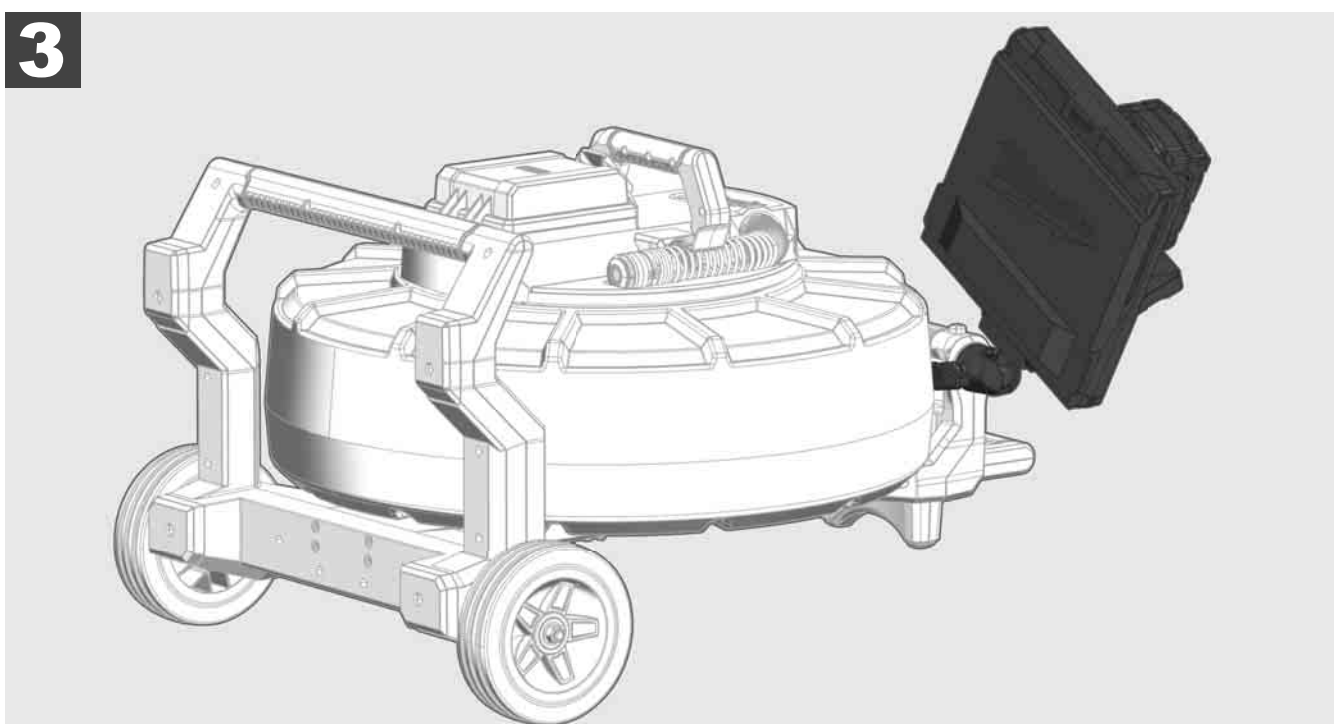
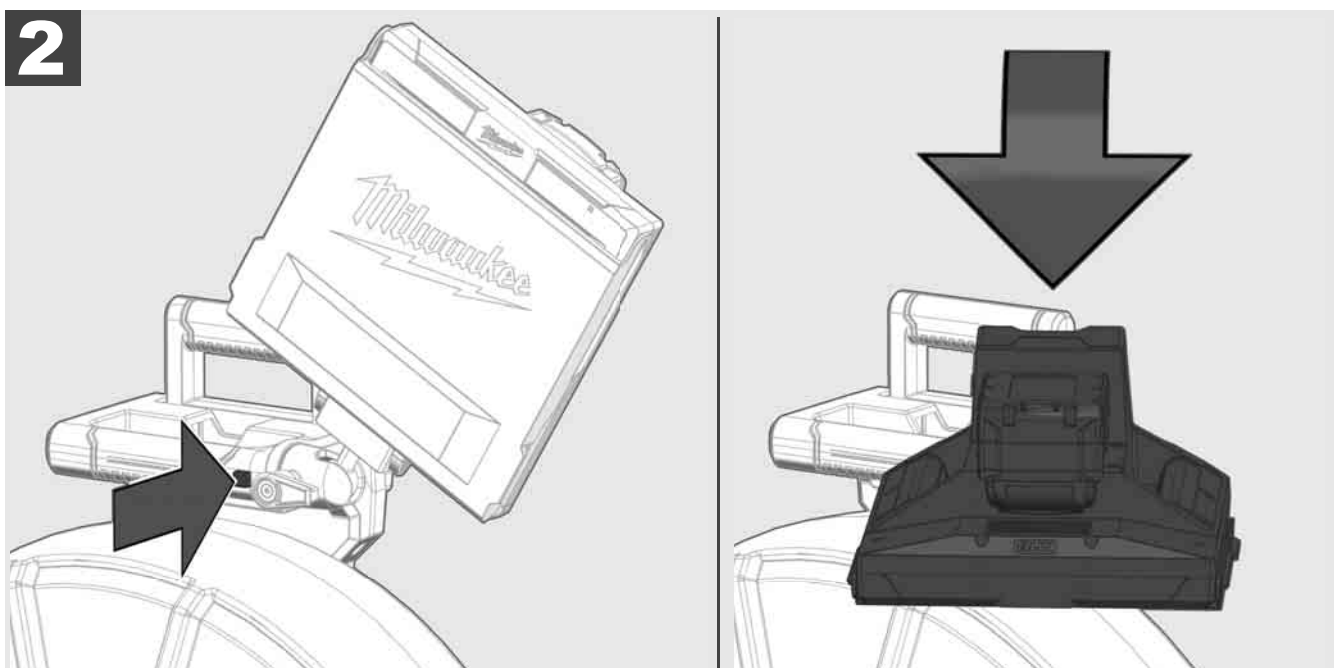
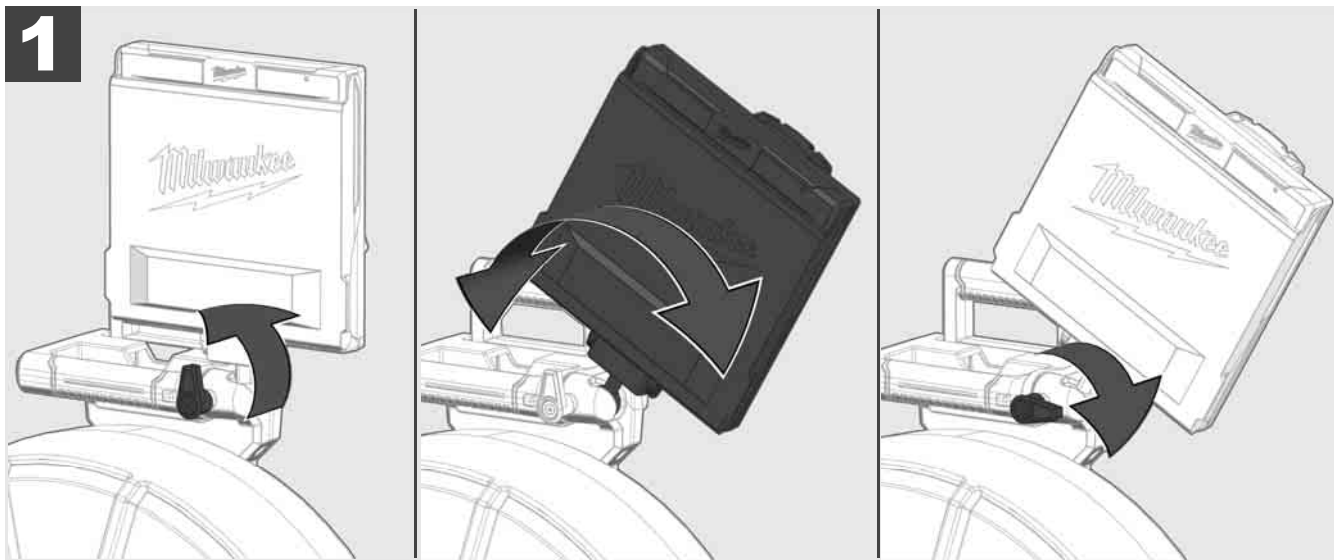


**1**



**2**





### 3.7 Toruvaatlustrumli kasutamine



Kontrollige kaablit kulumisjälgede osas. Kontrollige kaabli lahtiharutamisel seda täkete, mõrade ja hõõrdumise osas. Kui ümbris on nii tugevalt kulunud, et aramiidkiudpunutis on näha, tuleb kaabel välja vahetada. Kahjustatud ümbrisega kaabli kasutamisel võivad vesi ja niiskus sisse tungida, mis omakorda mõjutab kaamera ülesvõtete kvaliteeti või põhjustab kaamera riket.

Alljärgneval joonisel on näited tugevasti kahjustatud ümbristest. Selline kaabel tuleb võimalikult kiiresti välja vahetada.

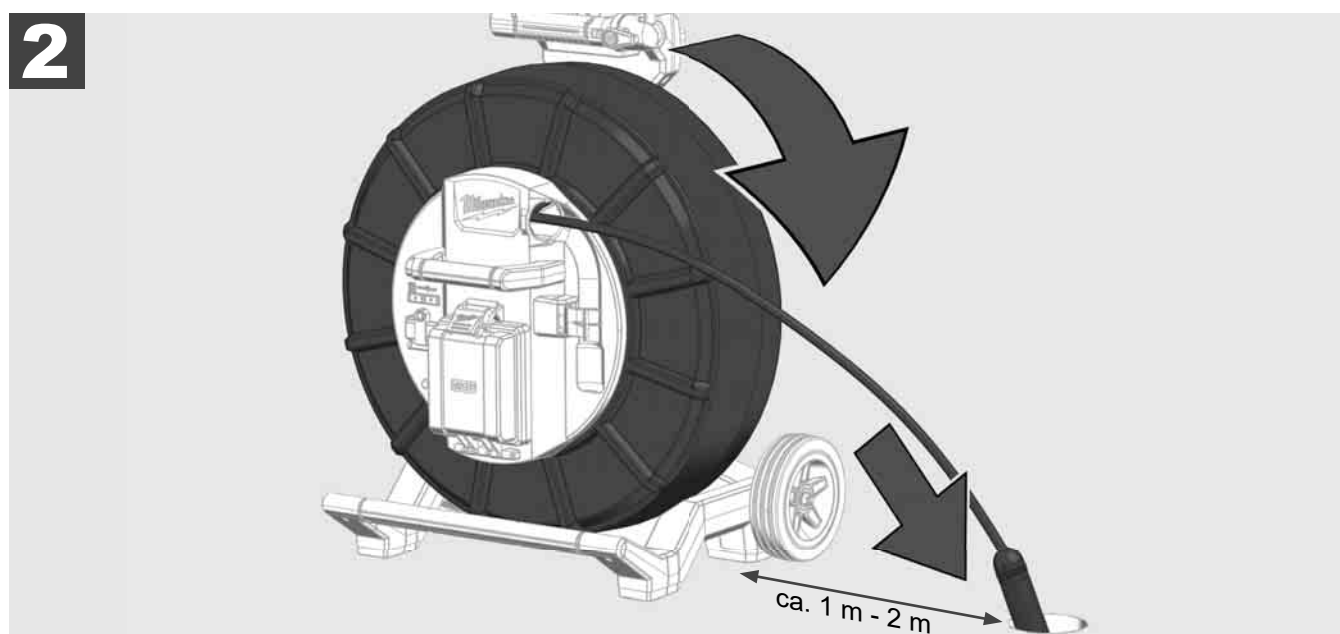
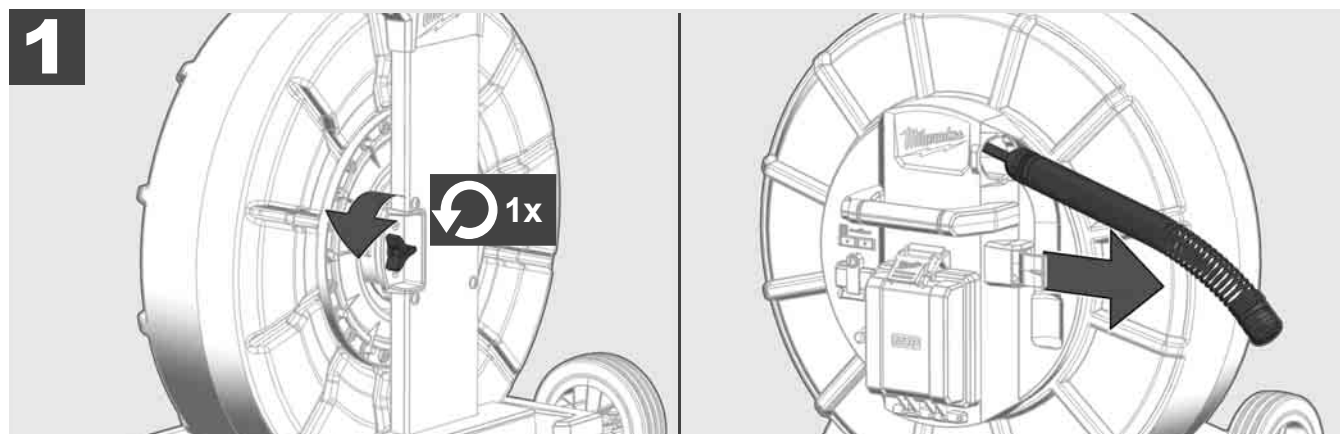


Hoidke kaabel ja vedrukooste alati kuiv ja puhas. Puhastage kaabel pealekerimisel alati puhta, kuiva lapiga. Tööpäeva lõpus puhastage kaamerapea ja vedru voolava vee all ettevaatlikult mustusest. Raputage kuivaks või puhuge liigne vesi madalsurveõhuga ära ja viimaks kuivatage osad. Kaamerapea, kaabel ja ühendusosad peavad iga päev taluma agressiivseid kemikaale. Süsteemi hoolikas puhastus pikendab nende osade eluiga.

Olge kaabli käsitlemisel hoolikas. Ärge tõmmake kaablit lukustatud trumlist välja. Vastasel juhul võib kaabel trumlis olla liiga kokku surutud ja ülemäära pingul. Kaabli tagasi tõmbamine lukustatud trumlistesse võib seevastu rulli ümber paisata või kaabli ära murda.

Asetage trummel üks kuni kaks meetrit sisenemiskohast eemale tasasele pinnale. Nii jääb piisavalt ruumi kaabliga toimetamiseks, ilma et kaablivoolikut oleks vaja üle maapinna tõmmata. Vajadusel kasutage kaabli liikumise aeglustamiseks hõõrdpidurit.

Kui trumlit kasutatakse horisontaalses asendis, suureneb jalgade vaheline ala. See tagab trumli stabiilsuse ebaühtlase aluspinna korral ja vähendab selle kõrgust, mis kitsastes tingimustes on eeliseks.





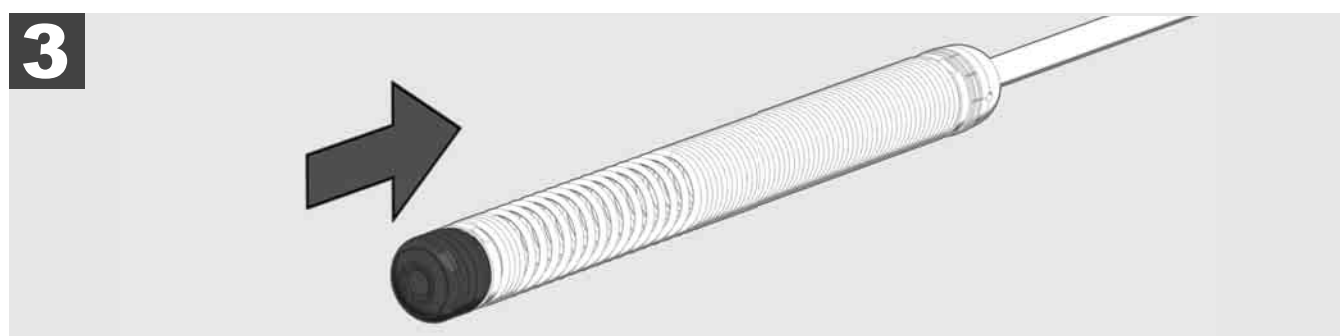
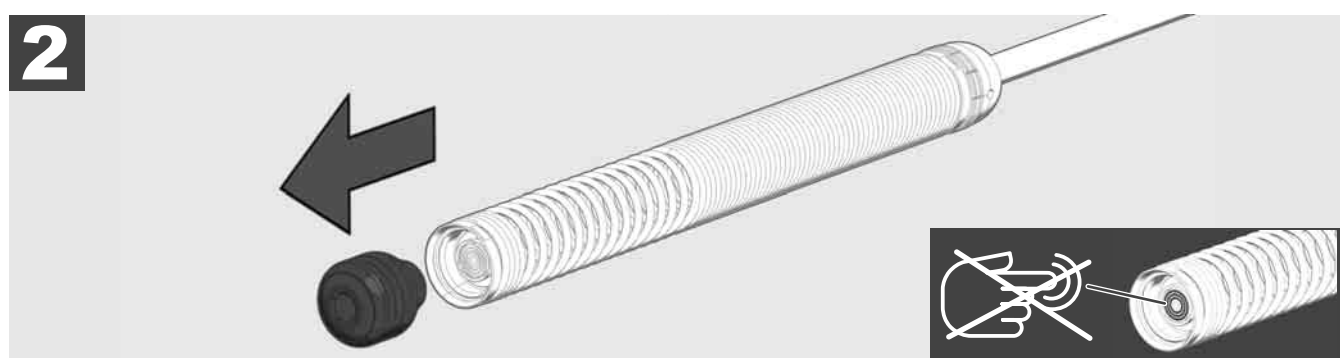
### 3.8 Kaamerapea kooste



Võimalusel ärge võtke rohelistest trükkplaadist või kuldkontaktidest vedrukoostel, samuti kaamerapeast paljaste kätega kinni. Vastasel juhul jääb sõrmede rasvakiht neile komponentidele ja see omakorda võib põhjustada enneaegset korrodeerumist. Kandke võimalusel puhtaid ja kuivi kummikindaid.

Enne kaamerapea äravõtmist tuleb see kuivatada ja puhastada mustusest, mis võib kukkuda kaamera ühenduspiirkonda.

Ärge tõmmake seda liiga kõvasti kinni ega rakendage ülemäärast jõudu!



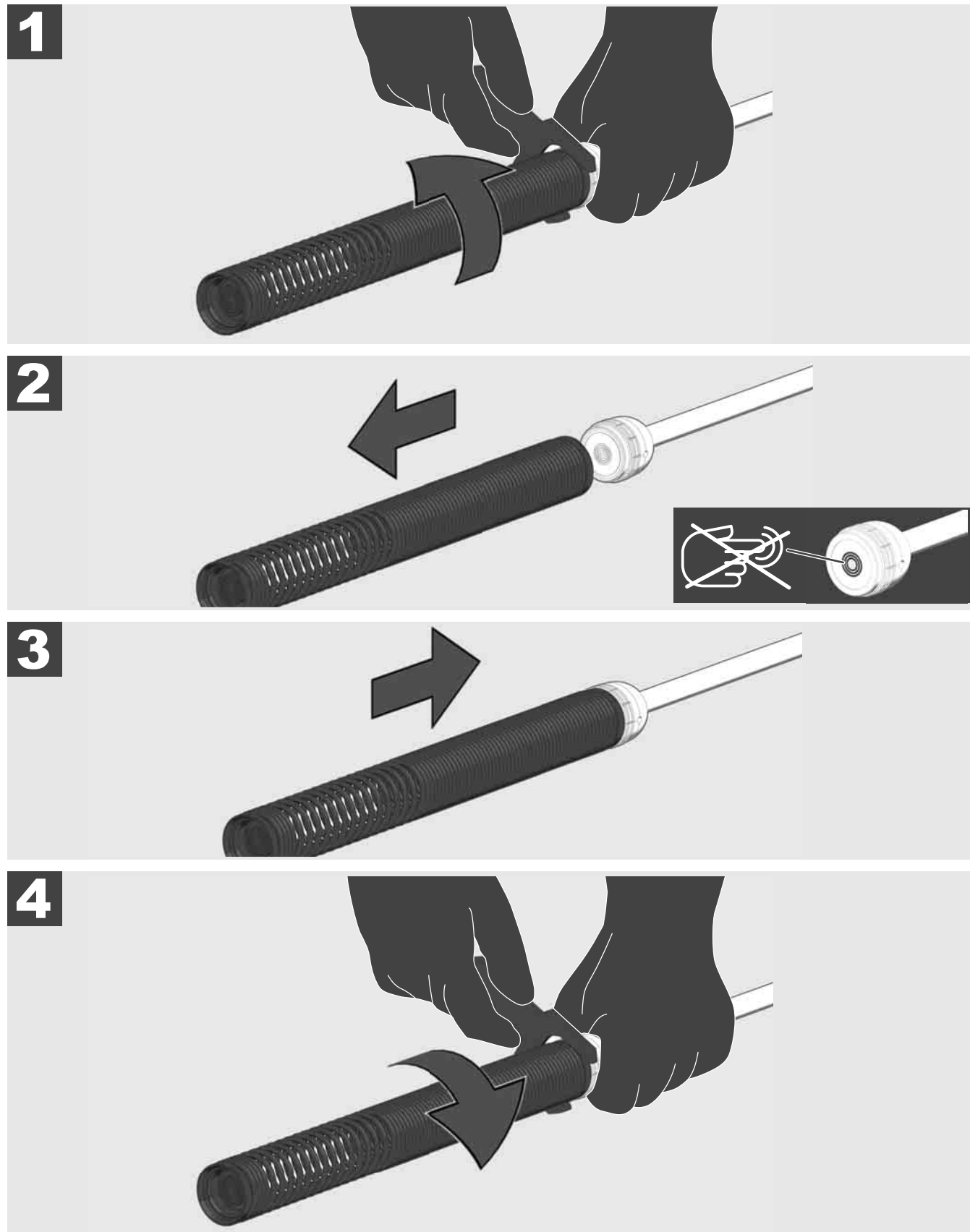
### 3.9 Vedru kooste



Võimalusel ärge võtke rohelistest trükkplaadist või kuldkontaktidest vedrukoostel, samuti kaamerapeast paljaste kätega kinni. Vastasel juhul jääb sõrmede rasvakiht neile komponentidele ja see omakorda võib põhjustada enneaegset korrodeerumist. Kandke võimalusel puhtaid ja kuivi kummikindaid.

Enne kaamerapea äravõtmist tuleb see kuivatada ja puhastada mustusest, mis võib kukkuda kaamera ühenduspiirkonda.

Ärge tõmmake seda liiga kõvasti kinni ega rakendage ülemäärast jõudu!



### 3.10 Kaamera kaitsekate

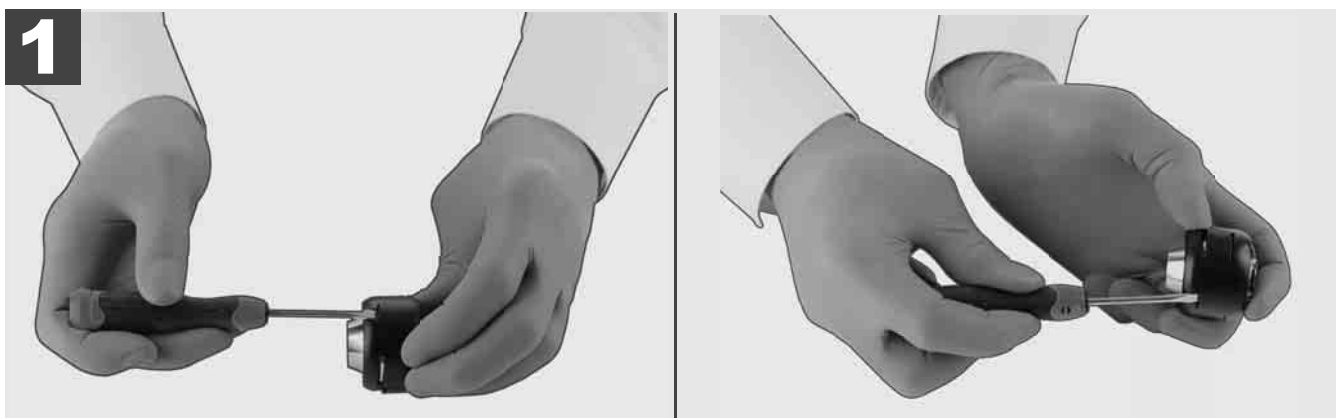


Kaitsekatted – sobivad kaamerapeadele läbimõõduga 25 kuni 34 mm. Need kaitsekatted tarnitakse koos kõikide TORUVAATLUSTRUMLITE või asenduskaamerapeadega.

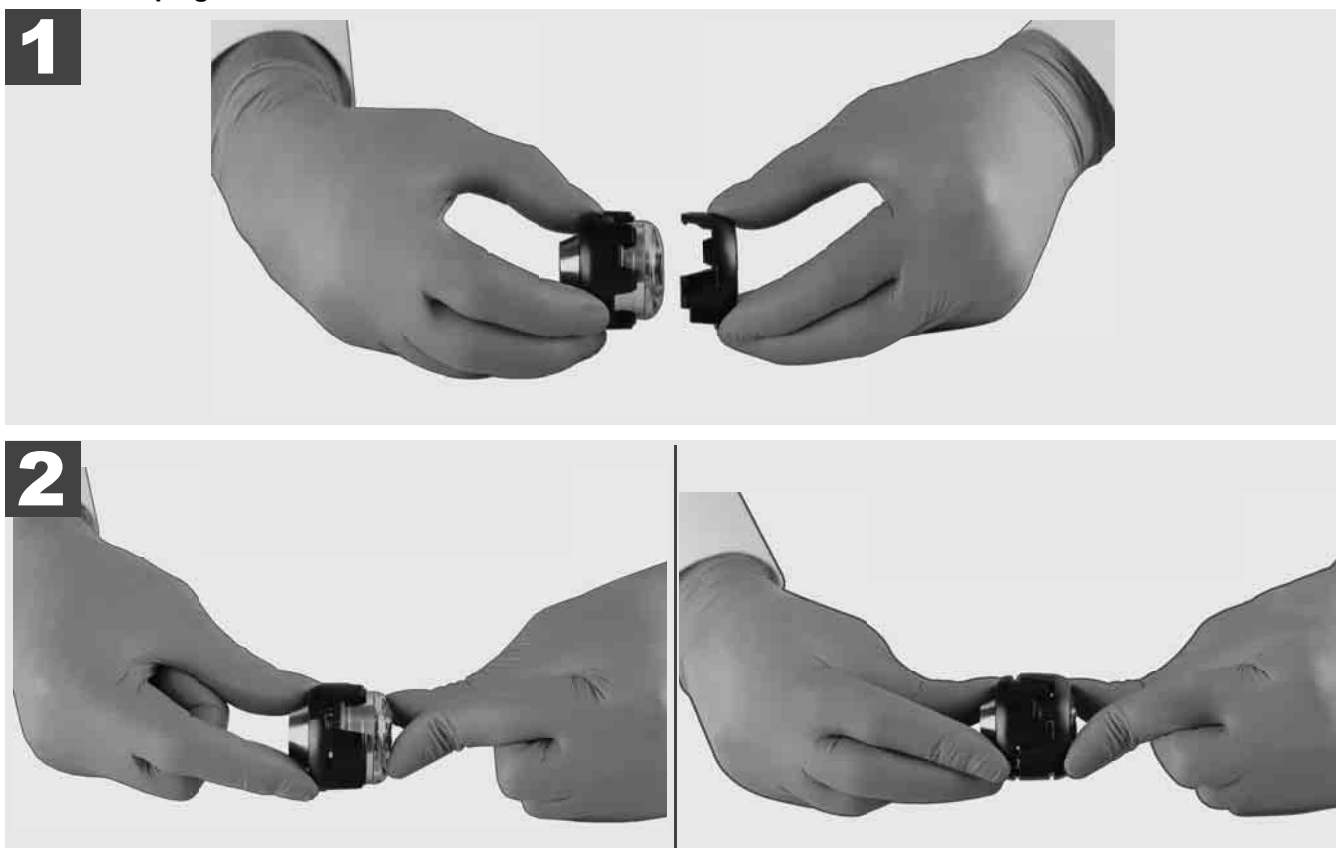
Juhikud – need paigaldatakse vedru kooste peale, et kaamerapea saaks mööda pinda liikuda ega puutuks vahetult toruga kokku.



#### Kaitsekatte eemaldamine



#### Kaitsekatte paigaldamine



### 3.11 Kaamera juhikud



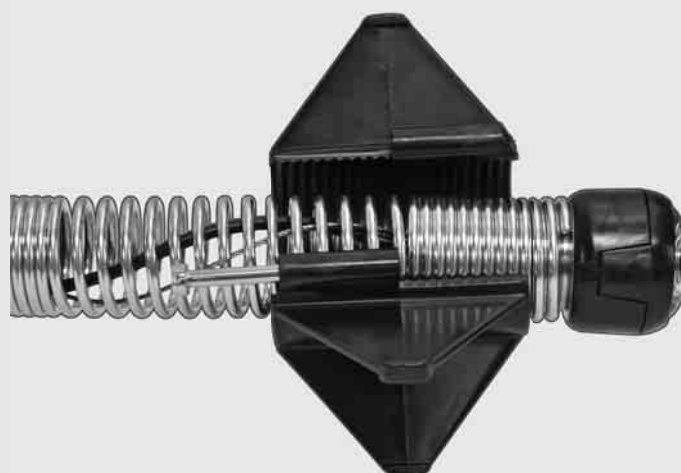
25 kuni 34 mm laiuste kaamerapeade jaoks on saadaval vastavalt kaks juhikut: väike 75 mm variant ja keskmine 100 mm variant.

Kameraführung 25 mm

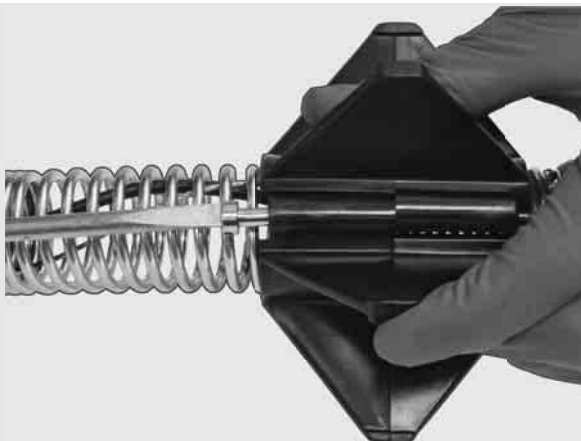
Kaamerajuhik 34 mm



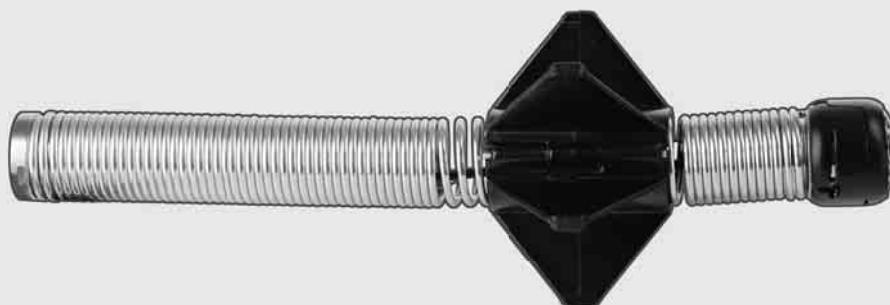
**1**



**2**




**3**



### 3.12 Hooldus ja tugi


Juhul kui Teie TORUVAATLUSSÜSTEEMI tuleb parandada, siis kõik vajalikud telefoninumbrid leiate Milwaukee tööriistade klienditeeninduse lehelt kategooria alt KLIENDITEENINDUS JA KASUTAJATUGI.

Valige **SÄTTED**  → **HOOLDUS JA TUGI**




**Milwaukee**  
Nothing but **HEAVY DUTY**®

click →



**M18 SIC36**  
**M18 SIC60**  
**M18 SISH**

click →



**M18 SIM**

click

1	Общие указания .....	2
1.1	Специальные правила техники безопасности для систем видеодиагностики труб.....	2
1.2	Дополнительные указания по безопасности и работе .....	2
1.3	Технические характеристики .....	3
1.4	Использование по назначению .....	3
1.5	Радиочастотные требования, относящиеся к европейским установкам .....	4
1.6	Декларация соответствия ЕС.....	4
1.7	ONE-KEY™ .....	4
1.8	АККУМУЛЯТОРЫ.....	4
1.9	Транспортировка литий-ионных аккумуляторов .....	4
1.10	Обслуживание .....	5
1.11	Символы.....	5
2	Smart Hub M18 SISH .....	6
2.1	Обзор Smart Hub M18 SISH .....	6
2.2	Установка и извлечение аккумулятора.....	7
2.3	Проверить уровень заряда аккумулятора .....	8
2.4	Вставить Smart Hub M18 SISH .....	9
2.5	Удалить Smart Hub M18 SISH .....	10
2.6	Выключатель.....	11
2.7	Подключить монитор.....	12
2.8	Порты USB.....	13
2.9	Заземляющий стержень .....	14
2.10	Сбросить счетчик длины .....	15
2.11	Тестовый разъем камеры .....	16
2.12	Форматирование внутреннего диска и USB-накопителя.....	17
2.13	Заводские настройки.....	18
2.14	Обновление системы .....	19
3	БАРАБАН СИСТЕМЫ ВИДЕОДИАГНОСТИКИ ТРУБ.....	21
3.1	Обзор барабана системы видеодиагностики труб M18 SIC36.....	21
3.2	Обзор барабана системы видеодиагностики труб M18 SIC60.....	22
3.3	Установить переносное устройство .....	23
3.4	Снять переносное устройство .....	24
3.5	Установить беспроводной монитор M18 SIM .....	25
3.6	Настроить беспроводной монитор M18 SIM .....	26
3.7	Использование барабана системы видеодиагностики труб .....	27
3.8	Узел головки видеокамеры .....	28
3.9	Группа дисков пружины .....	29
3.10	Защитный кожух камеры .....	30
3.11	Направляющие камеры .....	31
3.12	Обслуживание и поддержка .....	32

## 1.1 Специальные правила техники безопасности для систем видеодиагностики труб

При выполнении работ в трубах следить за тем, чтобы они не находились под напряжением и не имели электрического заряда. В трубах не должна находиться жидкость. Камера и устройство не должны вступать в контакт с жидкостью.

Камера и кабель не должны вступать в контакт с маслом, газом или другими, склонными к коррозии материалами.

Чтобы снизить риск взрыва, поражения электротоком и возникновения материального ущерба, перед началом проведения любых работ всегда проверять рабочую область. Кабель не должен контактировать с электрическими компонентами, химикатами или движущимися деталями.

Чтобы снизить риск повреждения устройства, не применять чрезмерную силу и не перегибать кабель. Не применять инспекционную камеру и кабель на тех участках, где на них могут попасть едкие или маслянистые вещества.

Не использовать кабель для устранения засорений или препятствий. Он не является прочистой машиной!

Если в выпускной трубе, подлежащей очистке, предполагается наличие химикатов, бактерий или токсичных субстанций, например, возбудителей инфекций, под рекомендованные производителем защитные перчатки наденьте латексные или резиновые перчатки, а также защитные очки, защитный щиток для лица, защитную одежду и респиратор. Трубопроводы могут содержать химикаты, бактерии и другие субстанции, которые могут быть токсичными или заразными и вызывать раздражение или тяжелые повреждения.

Следите за выполнением правил гигиены. Не следует курить и принимать пищу во время пользования устройством. После использования системы видеодиагностики труб необходимо тщательно вымыть руки и другие части тела, имевшие контакт с содержимым труб, теплой водой с мылом. Это позволит избежать рисков для здоровья в результате контакта с токсичными веществами и возбудителями инфекций.

Перед применением проверьте кабель на наличие следов износа и повреждения. Замените изношенный или поврежденный кабель, прежде чем использовать устройство.

**ОСТОРОЖНО!** Следует соблюдать осторожность при транспортировке системы видеодиагностики труб с помощью устройства для переноса на спине. Возможна потеря равновесия.

Всегда использовать устройство внимательно и осторожно. Невозможно предвидеть все опасные ситуации. Не используйте это устройство, если вы не понимаете инструкции или если находитесь в состоянии переутомления. Для получения дополнительной информации или инструктажа свяжитесь с компанией Milwaukee или квалифицированным специалистом.

Не удаляйте этикетки и фирменные таблички. Они содержат важную информацию. Если текст на указательных табличках становится нечитабельным или отсутствует, обратитесь в службу поддержки MILWAUKEE для бесплатной замены табличек.

Некоторые виды пыли, вызванные работой шлифовальных, пильных и сверлильных станков или в результате других видов строительных работ, могут содержать канцерогенные химические вещества, вызывать врожденные дефекты или ухудшать репродуктивную способность. Примерами такого типа химических веществ являются:

- свинец из красок на основе свинца,
- кристаллический диоксид кремния из кирпича, цемента и других продуктов для кирпичной кладки, а также
- мышьяк или хром из химически обработанной древесины.

Риск воздействия зависит от того, как часто вы занимаетесь такими видами деятельности. Чтобы максимально снизить риск воздействия, всегда работайте в хорошо проветриваемых помещениях. Носите официально утвержденные защитные средства, такие как пылезащитные маски с фильтром микрочастиц.

## 1.2 Дополнительные указания по безопасности и работе

Не меняйте батарею, если поверхность инструмента влажная.

Не выбрасывайте использованные аккумуляторы вместе с домашним мусором и не сжигайте их. Дистрибьюторы компании Milwaukee предлагают восстановление старых аккумуляторов, чтобы защитить окружающую среду.

Не храните аккумуляторы вместе с металлическими предметами во избежание короткого замыкания.

Для зарядки аккумуляторов модели M18 используйте только зарядным устройством M18. Не заряжайте аккумуляторы других систем.

Аккумуляторная батарея может быть повреждена и дать течь под воздействием чрезмерных температур или повышенной нагрузки. В случае контакта с аккумуляторной кислотой немедленно промойте место контакта мылом и водой. В случае попадания кислоты в глаза промойте глаза в течение 10 минут и немедленно обратитесь за медицинской помощью.

**Предупреждение!** Для предотвращения опасности пожара в результате короткого замыкания, травм и повреждения изделия не опускайте инструмент, аккумулятор или зарядное устройство в жидкости и не допускайте попадания жидкостей внутрь устройств или аккумуляторов. Коррозионные и проводящие жидкости, такие как соленый раствор, определенные химикаты, отбеливающие средства или содержащие их продукты, могут привести к короткому замыканию.

Данное устройство не разрешается эксплуатировать или чистить лицам с ограниченными физическими, сенсорными или умственными способностями, а также лицам с недостаточным опытом или знаниями, за исключением случаев, когда они были проинструктированы по безопасному обращению с устройством лицом, по закону отвечающим за их безопасность. При использовании устройства лицами, названными выше, за ними надлежит осуществлять надзор. Никогда не допускать попадания устройства в руки детям. Поэтому если устройство не используется, его надлежит хранить в безопасном и недоступном для детей месте.

### 1.3 Технические характеристики

	M18 SIC36	M18 SIC60	M18 SISH
Длина кабеля камеры .....	36 m.....	60 m	
Головка видеокамеры .....	∅ 25 mm.....	∅ 34 mm	
Макс. увеличение .....	4x .....	4x	
Напряжение аккумулятора .....			18 V
Вес согласно процедуре EPTA 01/2014 (4,0 A·ч / 12 A·ч)...	12,4 kg .....	20,46 kg .....	5,37 kg
Диапазон частот Bluetooth (диапазоны частот).....			2402-2480 MHz
Мощность высокой частоты .....			1,8 dBm
Версия Bluetooth .....			4.0 режим сигнала BT
Рекомендованная температура окружающей среды во время работы .....			-18...+50 °C
Рекомендованные типы аккумуляторов .....		M18B....; M18HB....	
Рекомендованные зарядные устройства.....	M12-18C, M12-18AC, M12-18FC, M1418C6		

### 1.4 Использование по назначению

Система видеодиагностики труб используется для проверки и осмотра труб. Система состоит из трех модулей:

#### - Барабан системы видеодиагностики труб M18 SIC36 или M18 SIC60

Барабан системы видеодиагностики труб используется для намотки и размотки проталкиваемого кабеля, а также для управления им. Барабаны доступны в двух размерах: M18SIC36 для труб диаметром от 50 мм до 150 мм и более крупная модель M18SIC60 для труб диаметром от 75 мм до 250 мм.

Оба барабана имеют проталкиваемый кабель с пружиной, на которой установлена самовыравнивающаяся головка видеокамеры. Беспроводной монитор M18 SIM и Smart Hub M18 SISH могут использоваться с обоими барабанами.

Оба барабана могут использоваться как в вертикальном, так и в горизонтальном положении. На задней стороне M18 SIC36 можно закрепить устройство для переноски для удобной транспортировки на спине.

#### - Smart Hub M18 SISH

Smart Hub M18 SISH используется для управления системой видеодиагностики труб.

Беспроводной монитор M18 SIM или планшет, на котором установлено приложение для видеодиагностики труб Milwaukee®, подключается к Smart Hub M18 SISH для получения видеозаписей и изображений. Видео и изображения сохраняются на внутреннем диске Smart Hub M18 SISH.

#### - Беспроводной монитор M18 SIM (не входит в комплект; приобретается отдельно)

Беспроводной монитор M18 SIM позволяет отображать снятые видео, записывать видео и делать снимки, а также воспроизводить видеофайлы и изображения. Во время видеозаписи можно записывать голосовые комментарии через встроенный микрофон. С помощью функции «Метки» также можно добавлять текстовые комментарии. Тексты комментариев отображаются в записанном видео и появляются на фотографиях вместе с указанием даты, времени и длины размотанного кабеля.

Это устройство допускается эксплуатировать только по указанному назначению.



## 1.5 Радиочастотные требования, относящиеся к европейским установкам

Указание: Данное устройство проверено и соответствует предельным значениям приемника категории 3 в соответствии с EN 300 440 V2.1.1.

Эти предельные значения предназначены для обеспечения необходимой защиты от вредных помех в жилых помещениях.

Данное устройство реагирует на другие устройства, которые передают радиоволны в диапазоне частот от 2402 до 2480 МГц. Это может привести к неисправностям при использовании дистанционного управления. Не исключено, что при определенных обстоятельствах могут возникать помехи. Чтобы определить, создают ли другие устройства помехи для работы данного устройства, ненадолго выключите другие устройства, чтобы проверить, исчезают ли при этом помехи. Следующие меры могут помочь устранить помехи:

- выключите источник помех;
- увеличьте расстояние до источника помех;
- проконсультируйтесь со специализированным дилером или квалифицированным радиотехником.

## 1.6 Декларация соответствия ЕС

Настоящим компания Techtronic Industries GmbH заявляет, что радиоустановка типа M18SISH соответствует требованиям Директивы 2014/53/ЕС. С полным текстом сертификата соответствия ЕС можно ознакомиться в интернете по адресу: <http://services.milwaukeeetool.eu>

## 1.7 ONE-KEY™

Чтобы узнать больше о функциональных возможностях ONE-KEY для этого устройства, ознакомьтесь с прилагаемым кратким руководством или посетите нашу страницу в интернете — [www.milwaukeeetool.com/one-key](http://www.milwaukeeetool.com/one-key). Приложение ONE-KEY доступно для загрузки на ваш смартфон через App Store или Google Play.

При возникновении электростатического разряда соединение Bluetooth прерывается. В этом случае восстановите соединение вручную.

Устройство соответствует минимальным требованиям согласно EN 55014-2:2015 / EN 301489-1 V2.2.3 / EN 301489-17 V3.1.1.

### Индикация ONE-KEY™

Горит синим: радиосвязь активна и может быть настроена с помощью приложения ONE-KEY™ App.

Мигает синим: настроено соединение устройства с приложением ONE-KEY™ App.

Мигает красным: устройство заблокировано в целях безопасности, пользователь может разблокировать его через приложение ONE-KEY™ App.

## 1.8 АККУМУЛЯТОРЫ

Перед использованием аккумулятора, которым не пользовались некоторое время, его необходимо зарядить.

Температура свыше 50 °C снижает работоспособность аккумуляторов. Избегайте продолжительного нагрева или прямого солнечного света.

Контакты зарядного устройства и аккумуляторов должны содержаться в чистоте.

Для обеспечения оптимального срока службы аккумулятор необходимо полностью заряжать после использования устройства.

Для достижения максимально возможного срока службы аккумуляторы после зарядки следует вынимать из зарядного устройства.

При хранении аккумулятора более 30 дней:

Храните аккумулятор при температуре ниже 27 °C в сухом месте.

Храните аккумулятор с зарядом примерно 30–50 %.

Каждые 6 месяцев аккумулятор следует заряжать.

## 1.9 Транспортировка литий-ионных аккумуляторов

Литий-ионные аккумуляторы в соответствии с предписаниями закона транспортируются как опасные грузы.

Транспортировка этих аккумуляторов должна осуществляться с соблюдением местных, национальных и международных предписаний и положений.

- Эти аккумуляторы могут перевозиться по улице потребителем без дальнейших обязательств.
- При коммерческой транспортировке литий-ионных аккумуляторов экспедиторскими компаниями действуют положения, касающиеся транспортировки опасных грузов. Подготовка к отправке и транспортировка должны производиться исключительно специально обученными лицами. Весь процесс должен находиться под контролем специалиста.

При транспортировке аккумуляторов необходимо соблюдать следующие пункты:

- Убедитесь, что контакты защищены и изолированы во избежание короткого замыкания.
- Следите за тем, чтобы аккумулятор не мог соскользнуть внутри упаковки.
- Транспортировка поврежденных или протекающих аккумуляторов запрещена.













За дополнительными указаниями обратитесь к своему экспедитору.

## 1.10 Обслуживание

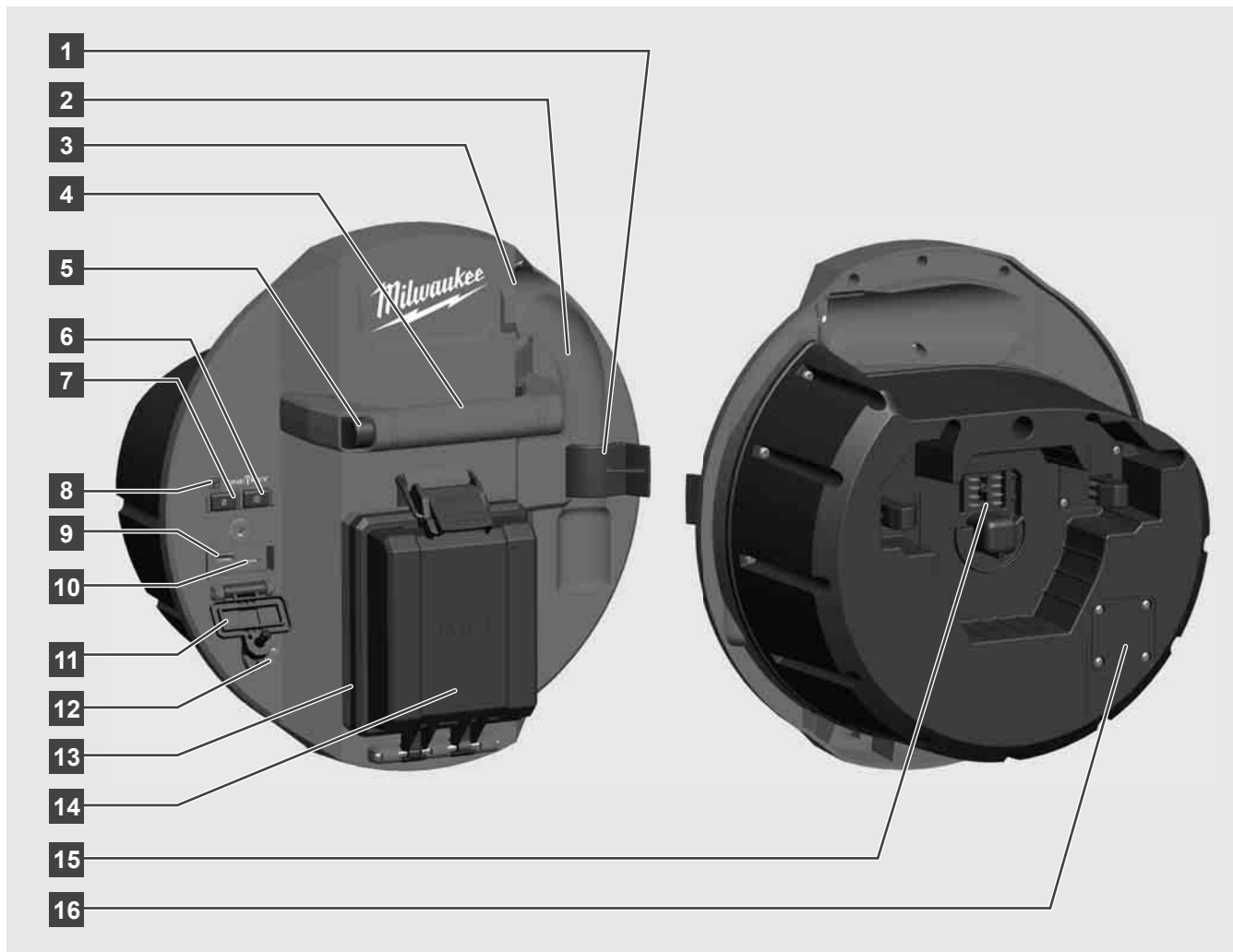
Пользуйтесь аксессуарами и запасными частями только фирмы Milwaukee. В случае возникновения необходимости в замене деталей, которая не была описана, пожалуйста, обращайтесь в один из сервисных центров (см. список наших гарантийных/сервисных организаций).

При необходимости, у сервисной службы или непосредственно у фирмы Techtronic Industries GmbH, Max-Eyth-Straße 10, 71364, Винненден, Германия, можно запросить сборочный чертеж устройства, сообщив его тип и шестизначный номер, указанный на фирменной табличке.

## 1.11 Символы

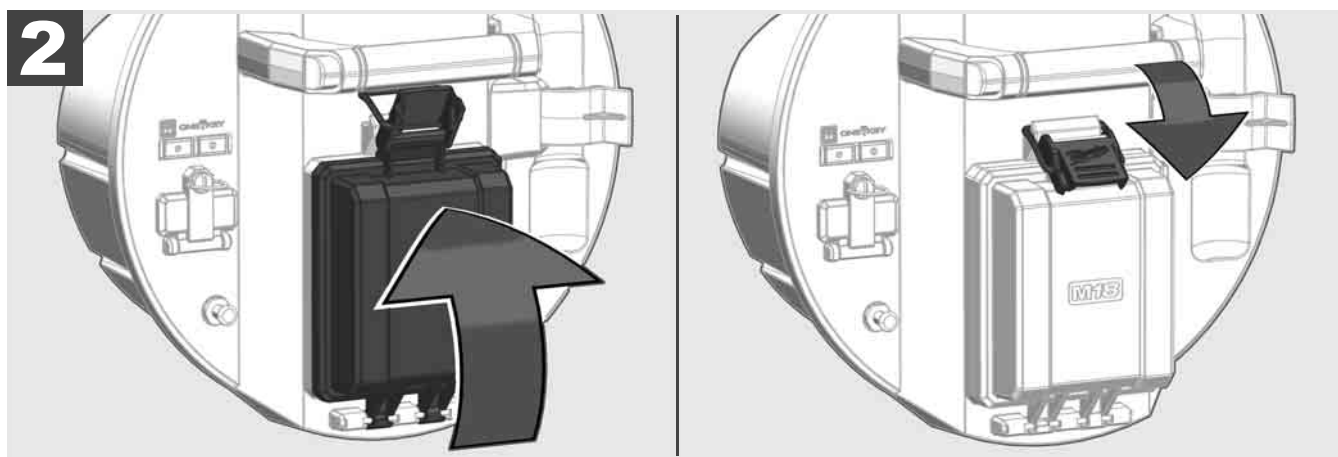
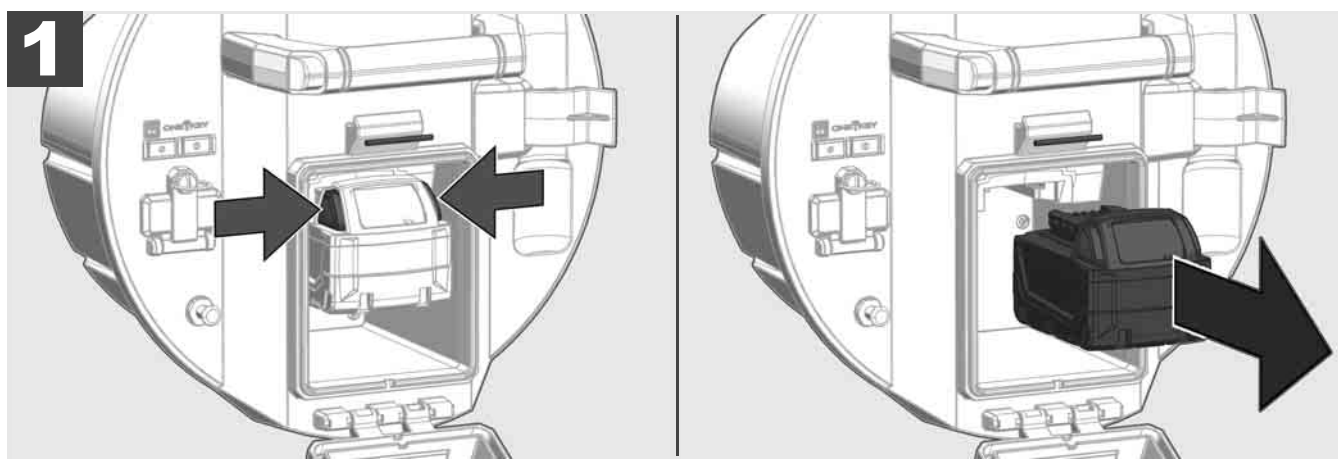
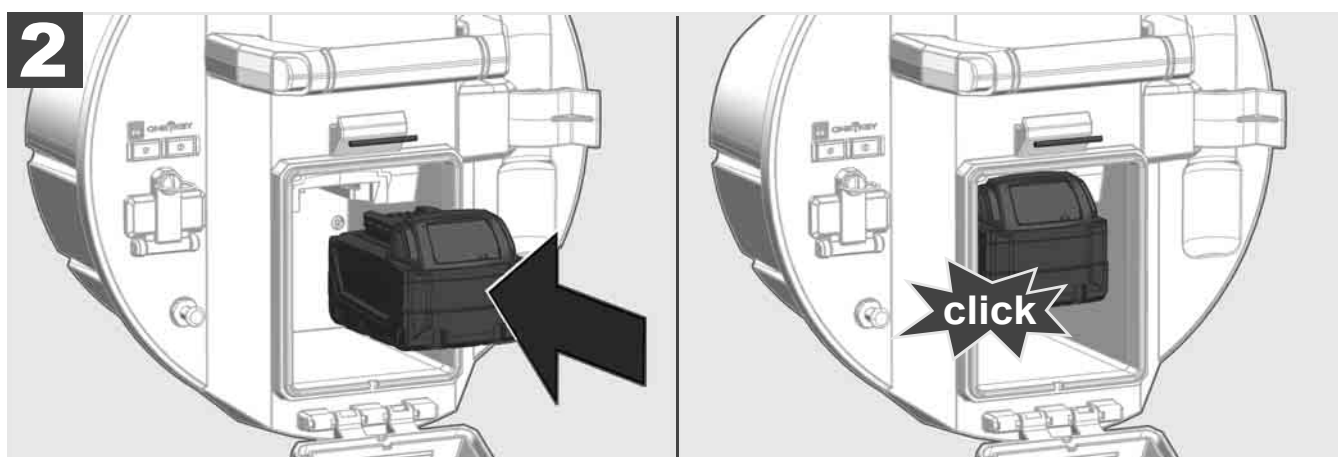
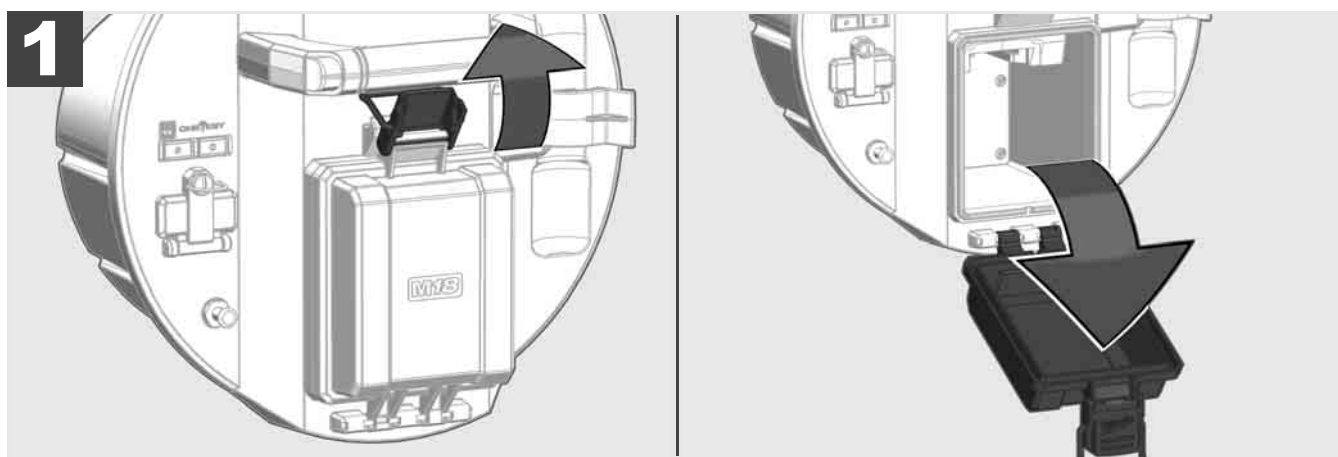
	<b>ВНИМАНИЕ! ПРЕДУПРЕЖДЕНИЕ! ОПАСНОСТЬ!</b>
	Вынуть аккумулятор из устройства перед проведением каких-либо манипуляций.
	Просьба внимательно прочесть инструкцию по использованию перед началом любых операций с инструментом.
	Надевать защитные перчатки!
	При работе с устройством всегда надевать защитные очки.
	Электроприборы, батареи/аккумуляторы запрещено утилизировать вместе с бытовым мусором. Электрические приборы и аккумуляторы следует собирать отдельно и сдавать в специализированную компанию для утилизации в соответствии с нормами охраны окружающей среды. Получите в местных органах власти или у вашего специализированного дилера сведения о центрах вторичной переработки и пунктах сбора.
	Напряжение
	Постоянный ток
	Европейский знак соответствия
	Британский знак соответствия
	Британский знак соответствия
	Украинский знак соответствия
	Евразийский знак соответствия
	Евразийский знак соответствия

### 2.1 Обзор Smart Hub M18 SISH



- 1 Защелка пружины — для фиксации пружины и видеокамеры во время транспортировки.
- 2 Держатель пружины — удерживает пружину и камеру на месте во время транспортировки и хранения.
- 3 Направляющая кабеля — прежде чем зафиксировать Smart Hub пропустить пружину и проталкиваемый кабель через направляющую.
- 4 Захват
- 5 Кнопка разблокировки — нажать эту кнопку для снятия Smart Hub с барабана системы видеодиагностики труб.
- 6 Главный выключатель — краткое нажать один раз для включения устройства; нажать и удерживать, чтобы выключить устройство.
- 7 Кнопка сброса значения длины кабеля — устанавливает длину размотанного кабеля на ноль.
- 8 Светодиодная индикация ONE KEY
- 9 Порт USB-A — для сохранения видео и фотографий напрямую, а также для обновления микропрограммы.
- 10 Порт USB-C — дополнительный разъем для подачи питания и передачи данных при подключении беспроводного монитора M18 SIM с Smart Hub.
- 11 Крышка порта USB — водонепроницаемая крышка, защищающая порты USB от пыли и влаги.
- 12 Заземляющий стержень — для заземления Smart Hub при отслеживании проталкиваемого кабеля.
- 13 Крышка аккумуляторного отсека — водонепроницаемая крышка, защищающий аккумулятор от пыли и влаги.
- 14 Аккумуляторный отсек — для аккумулятора M18™
- 15 Разъем для подключения Smart Hub с барабаном для видеодиагностики труб.
- 16 Разъем для тестирования видеокамеры — используется для устранения проблем с головкой видеокамеры

## 2.2 Установка и извлечение аккумулятора



## 2.3 Проверить уровень заряда аккумулятора



78-100 %



55-77 %



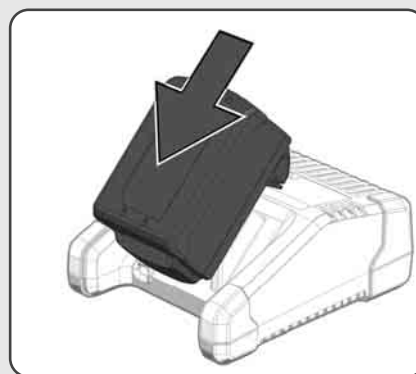
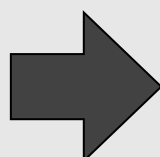
33-54 %

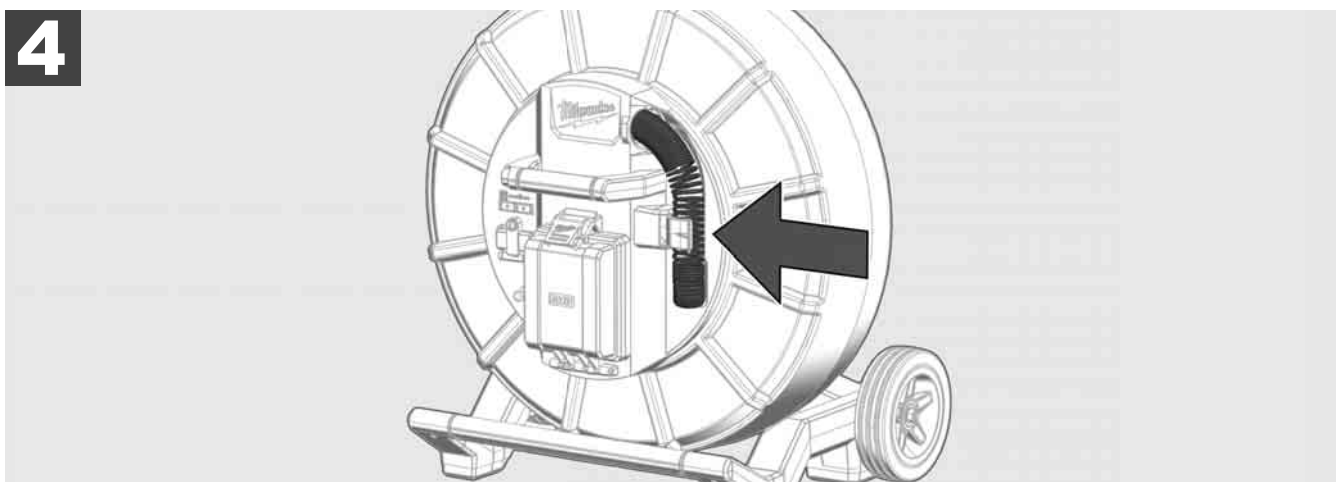
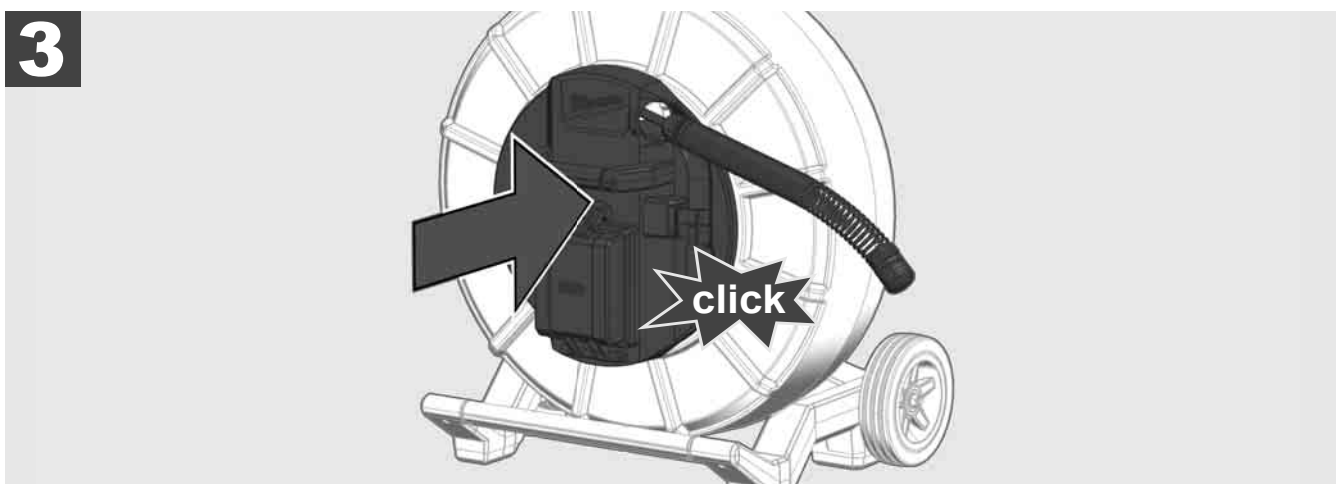
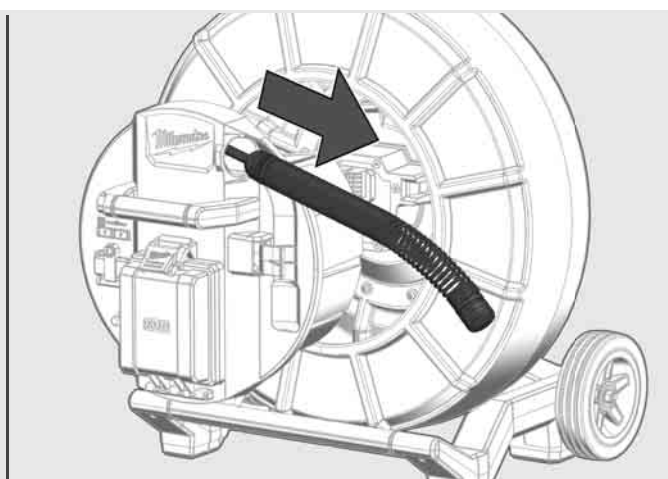
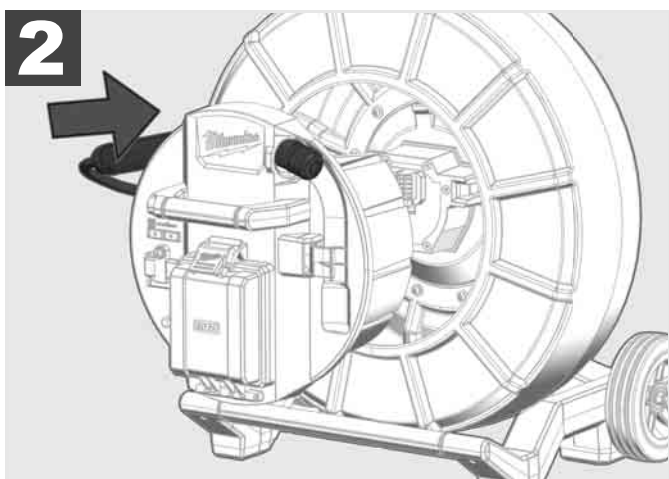
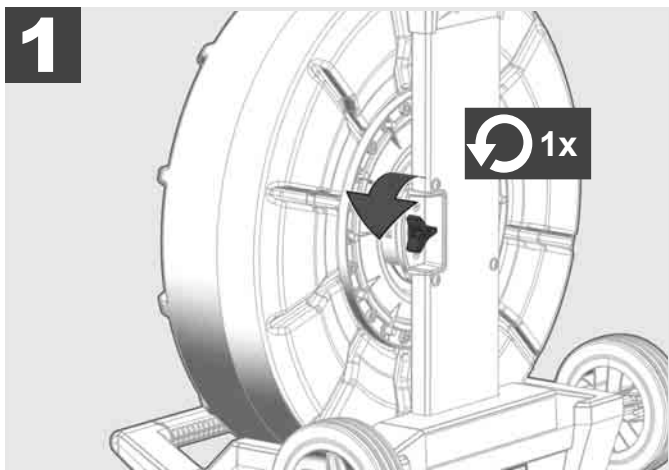


10-32 %



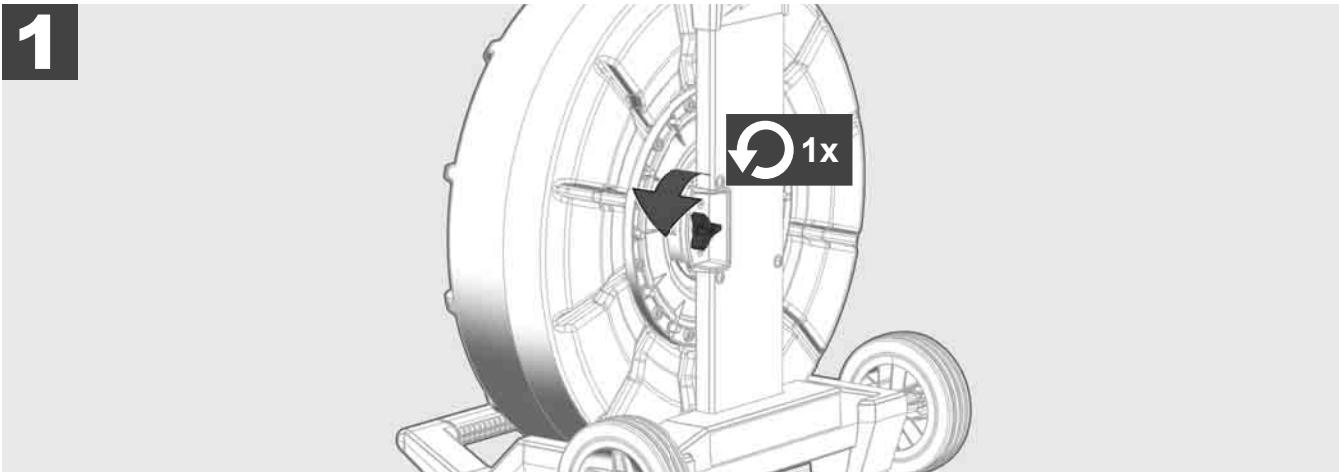
< 10 %



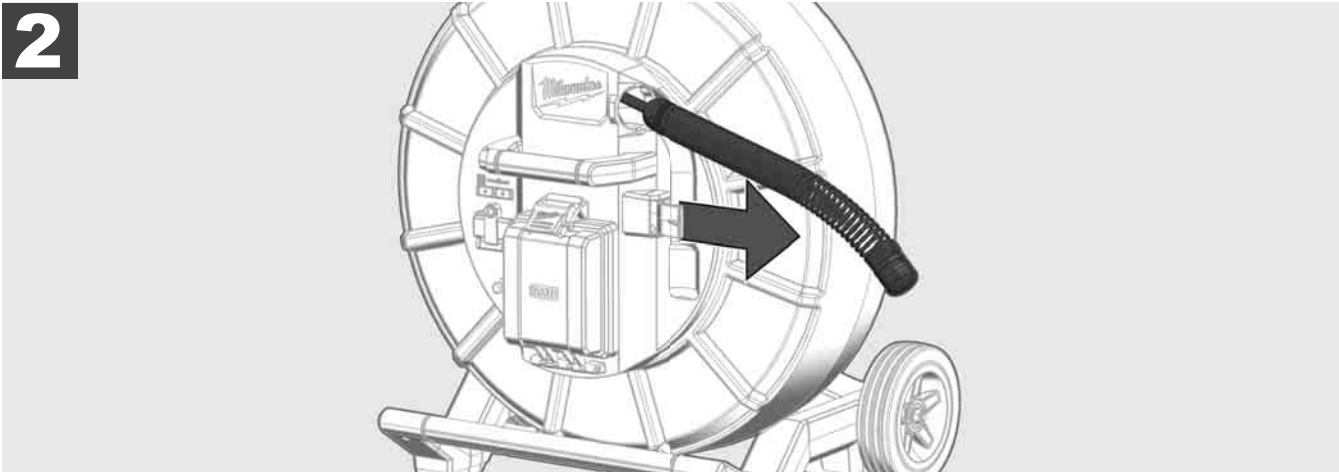




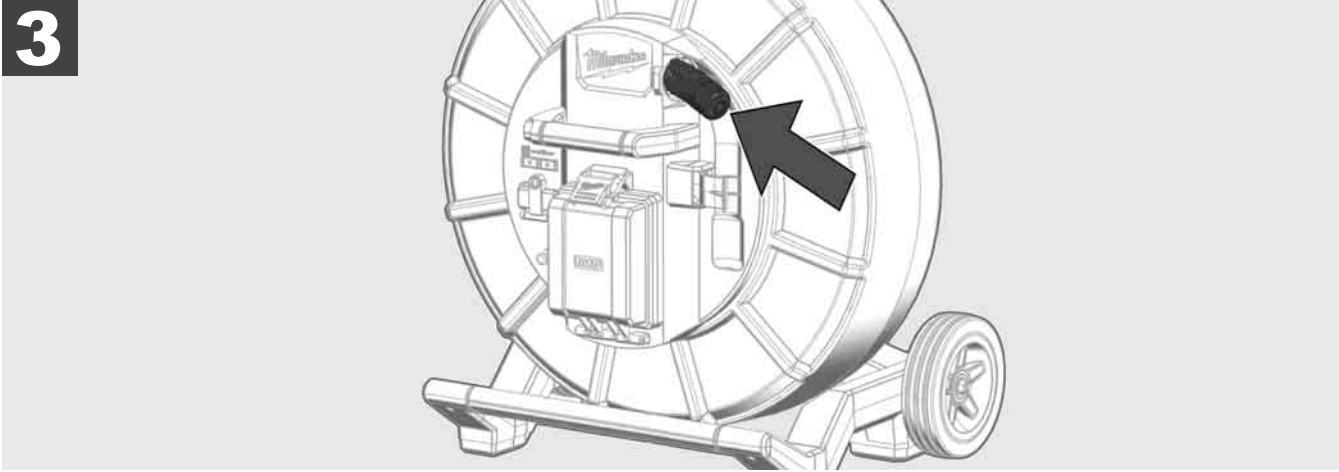
**1**



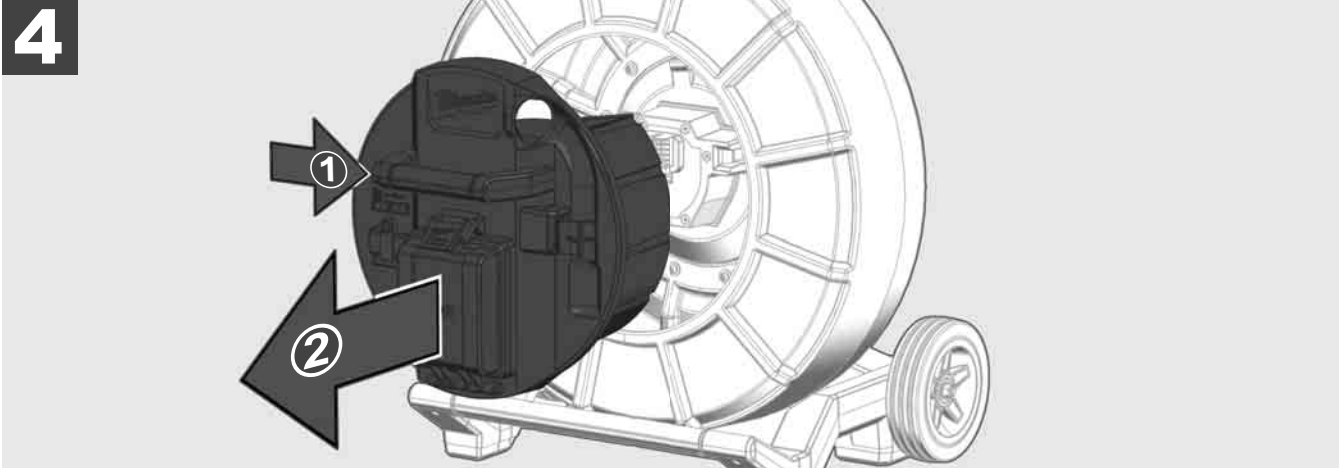
**2**



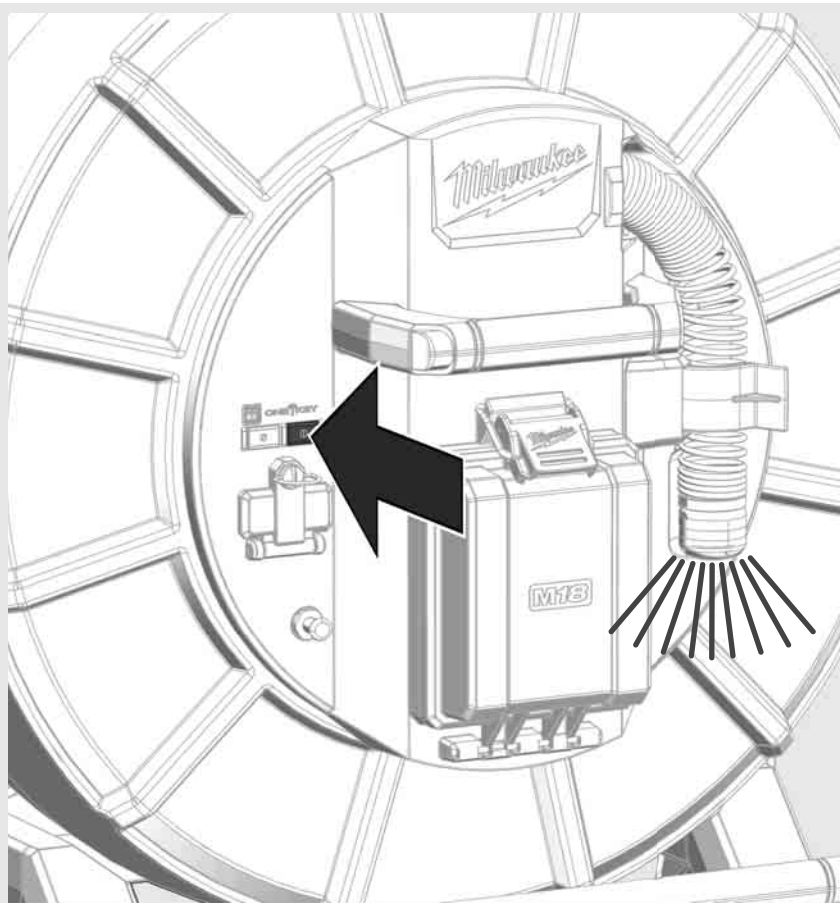
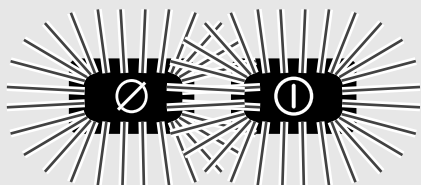
**3**



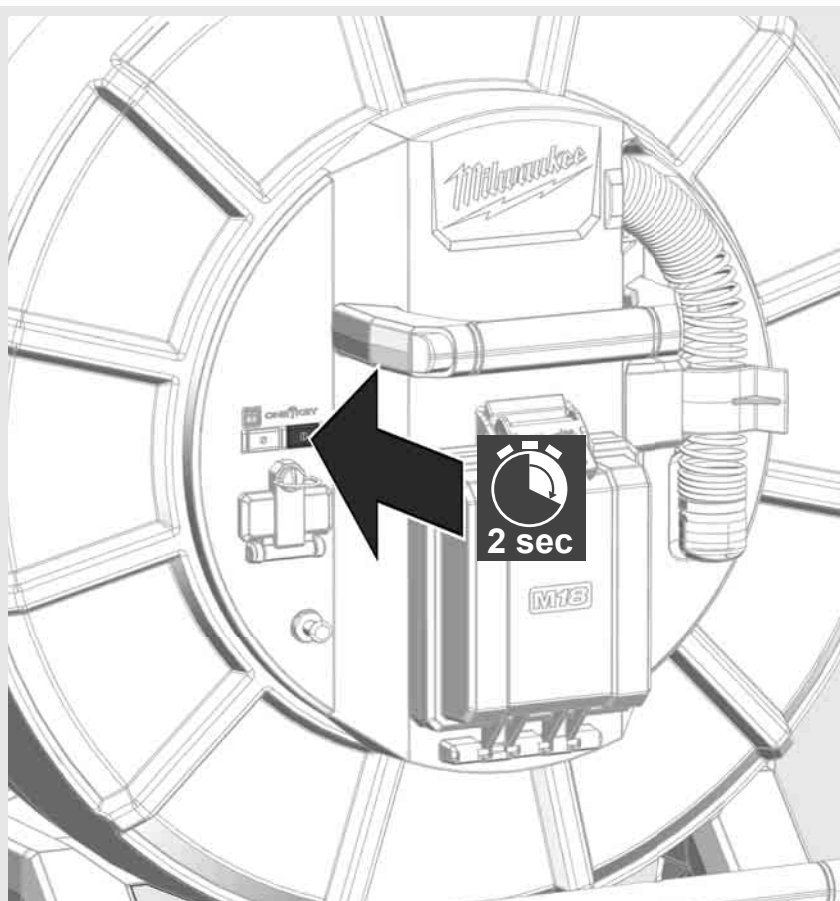
**4**



**ON**



**OFF**





## 2.7 Подключить монитор

Для изменения настроек СИСТЕМЫ ВИДЕОДИАГНОСТИКИ ТРУБ, для управления ее функциями и для отображения снимков и видео, снятых камерой, требуется внешнее устройство индикации.

Внешнее устройство отображения не входит в комплект поставки СИСТЕМЫ ВИДЕОДИАГНОСТИКИ ТРУБ и приобретается отдельно.

Доступны следующие опции:

- БЕСПРОВОДНОЙ МОНИТОР MILWAUKEE M18 SIM
- Планшет или смартфон с приложением СИСТЕМЫ ВИДЕОДИАГНОСТИКИ MILWAUKEE

БЕСПРОВОДНОЙ МОНИТОР подключается к СИСТЕМЕ ВИДЕОДИАГНОСТИКИ ТРУБ по Wi-Fi или через порт USB-C и сразу после подключения готов к работе. При использовании планшета или смартфона сначала установите приложение СИСТЕМЫ ВИДЕОДИАГНОСТИКИ MILWAUKEE на соответствующем устройстве.

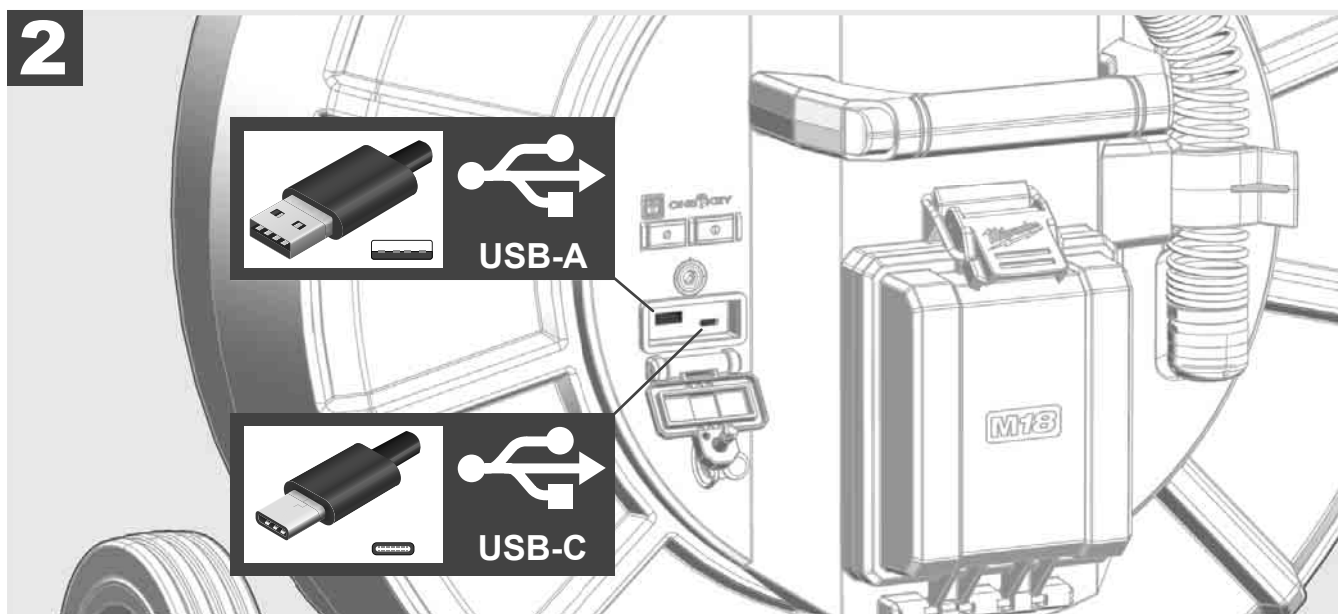
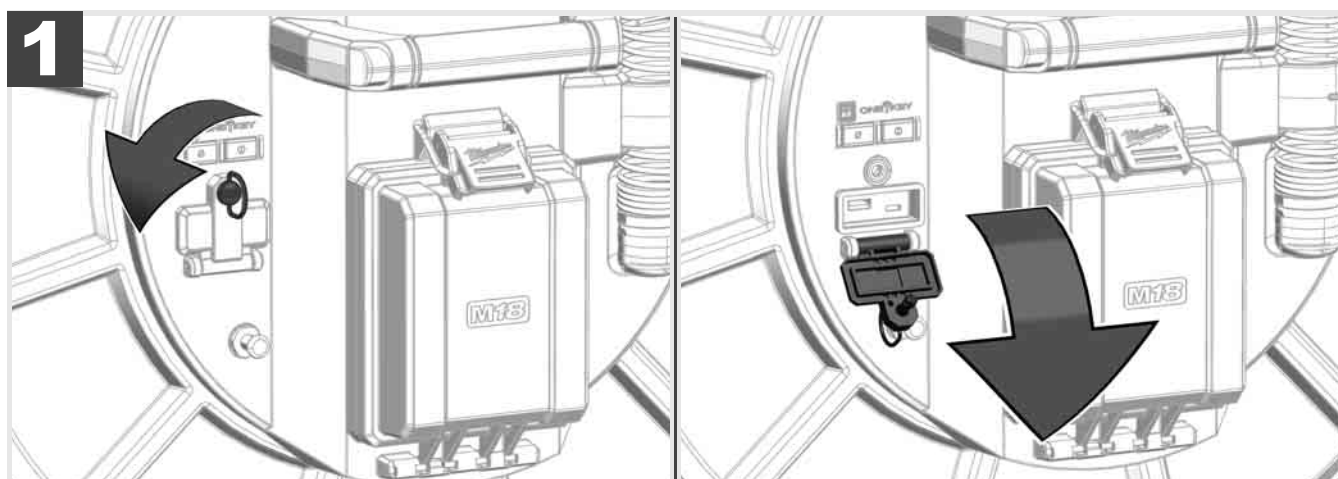
### **ПЕРВОЕ ИСПОЛЬЗОВАНИЕ С БЕСПРОВОДНЫМ МОНИТОРОМ M18 SIM:**

1. Включите SMART HUB и БЕСПРОВОДНОЙ МОНИТОР.
2. БЕСПРОВОДНОЙ МОНИТОР автоматически подключается к SMART HUB в течение 25 секунд.

\*Для соединения через кабель подключите монитор к Smart Hub с помощью кабеля USB-C.

### **ПЕРВОЕ ИСПОЛЬЗОВАНИЕ С ТЕЛЕФОНОМ ИЛИ ПЛАНШЕТОМ:**

1. Загрузите и установите приложение СИСТЕМЫ ВИДЕОДИАГНОСТИКИ MILWAUKEE.
2. Включите SMART HUB и устройство отображения.
3. Выберите «Настройки» > «Wi-Fi».
4. Выберите опцию MTCAM\_[LAST 9 DIGITS OF HUB SERIAL #].
5. Введите пароль: 29702000
6. Запустите приложение СИСТЕМЫ ВИДЕОДИАГНОСТИКИ MILWAUKEE.

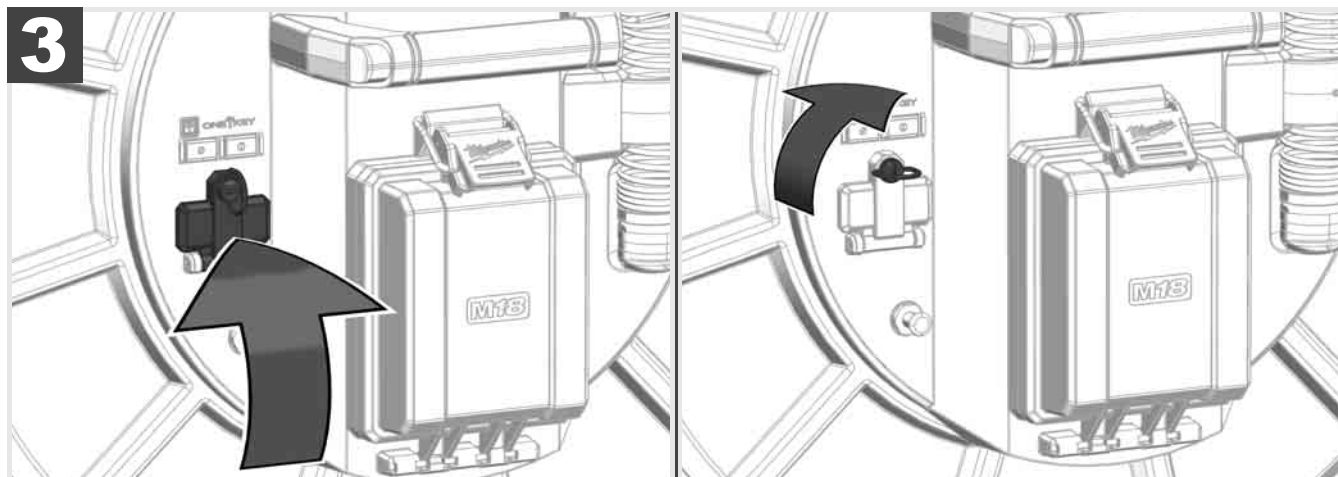


### USB-A

- Порт для нормального использования. Позволяет осуществлять прямую запись видеофайлов и файлов изображений или их передачу с внутреннего накопителя Smart Hub.
- Позволяет выполнять обновления микропрограммы Smart Hub.

### USB-C

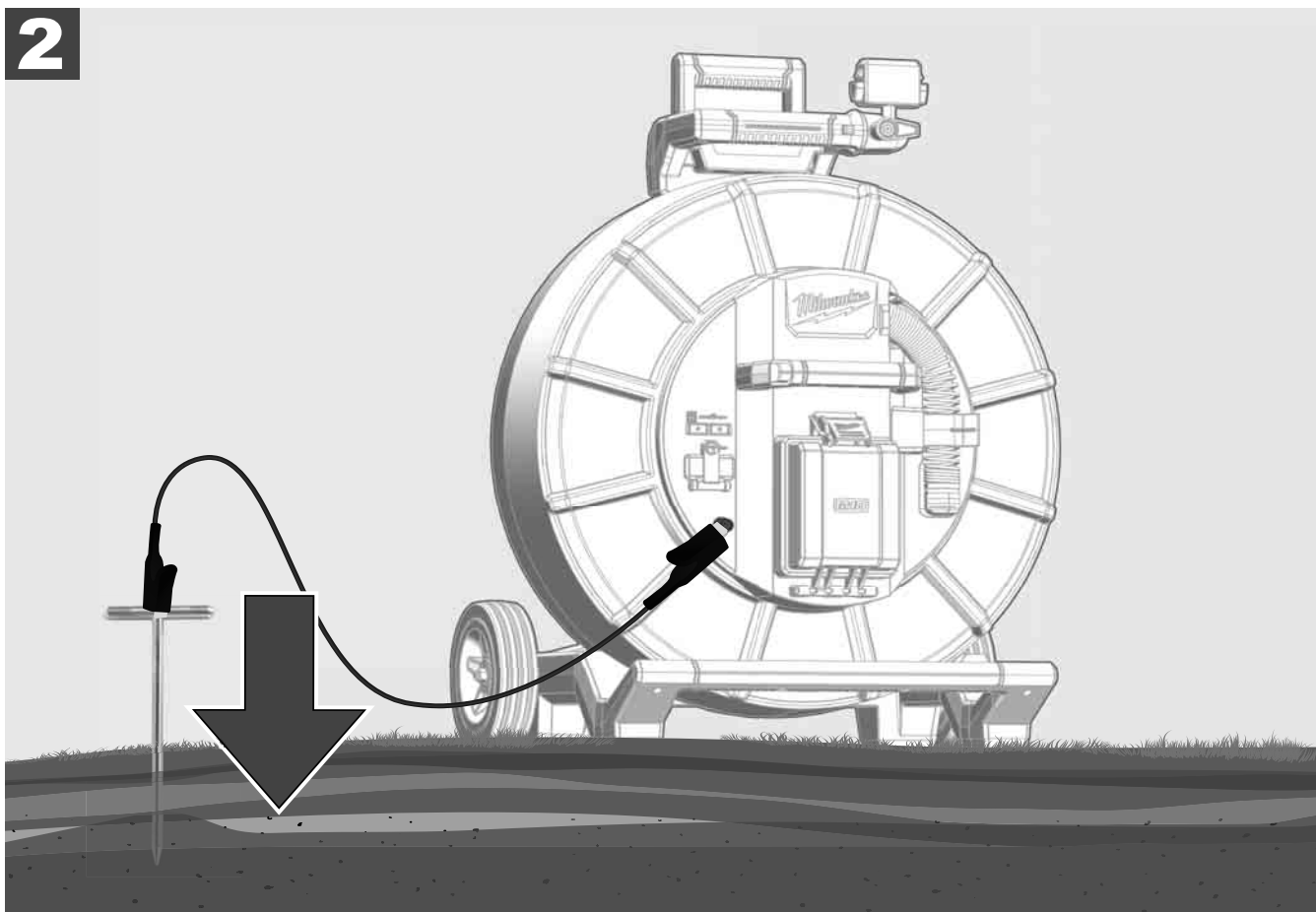
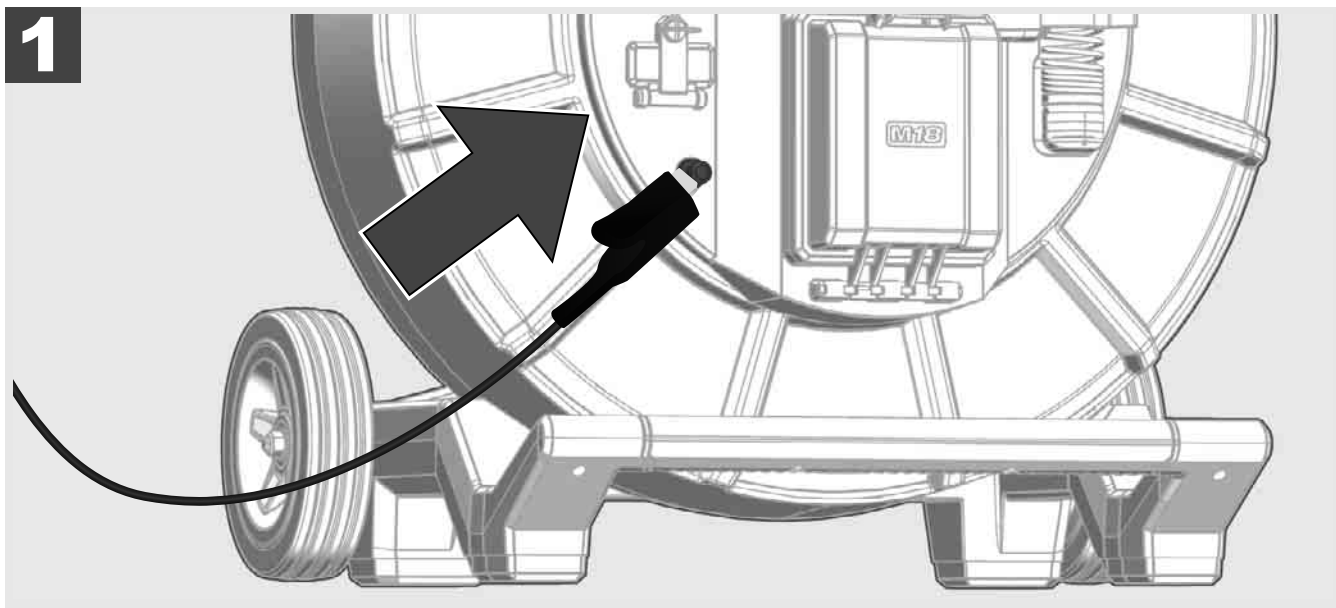
- Позволяет установить соединение между беспроводным монитором M18 SIM и Smart Hub без подключения по Wi-Fi.  
Питание Smart Hub через беспроводной монитор M18 SIM или наоборот, если аккумулятор не заряжен.



## 2.9 Заземляющий стержень



Заземляющий стержень всегда должен использоваться, когда проталкиваемый кабель отслеживается с помощью функции ТРАССИРОВКА КАБЕЛЯ. Smart Hub должен быть заземлен так, чтобы контур тока был замкнут и посылался хороший сигнал местоположения. Используйте прилагаемый заземляющий кабель и заземляющий стержень для заземления Smart Hub.

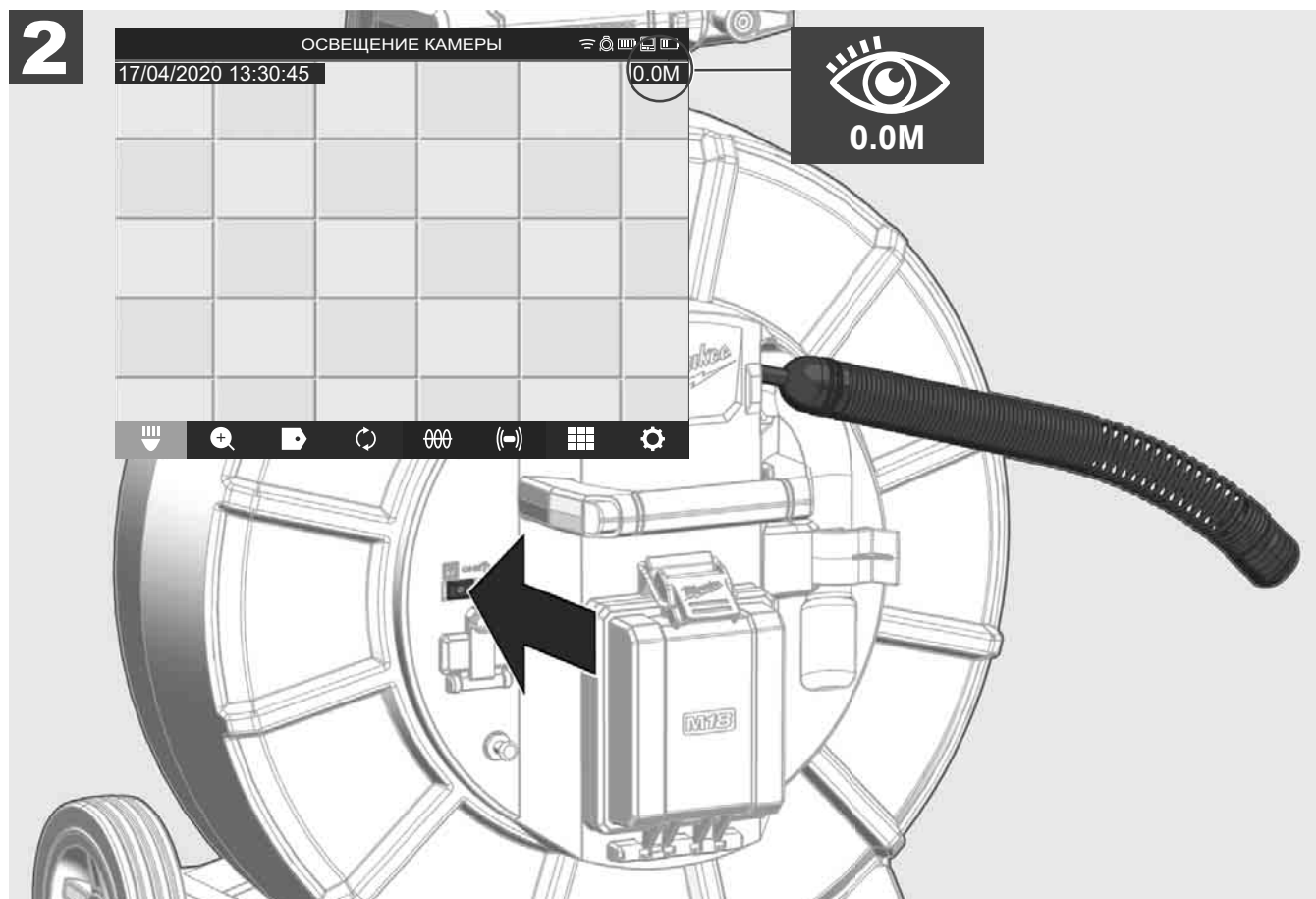
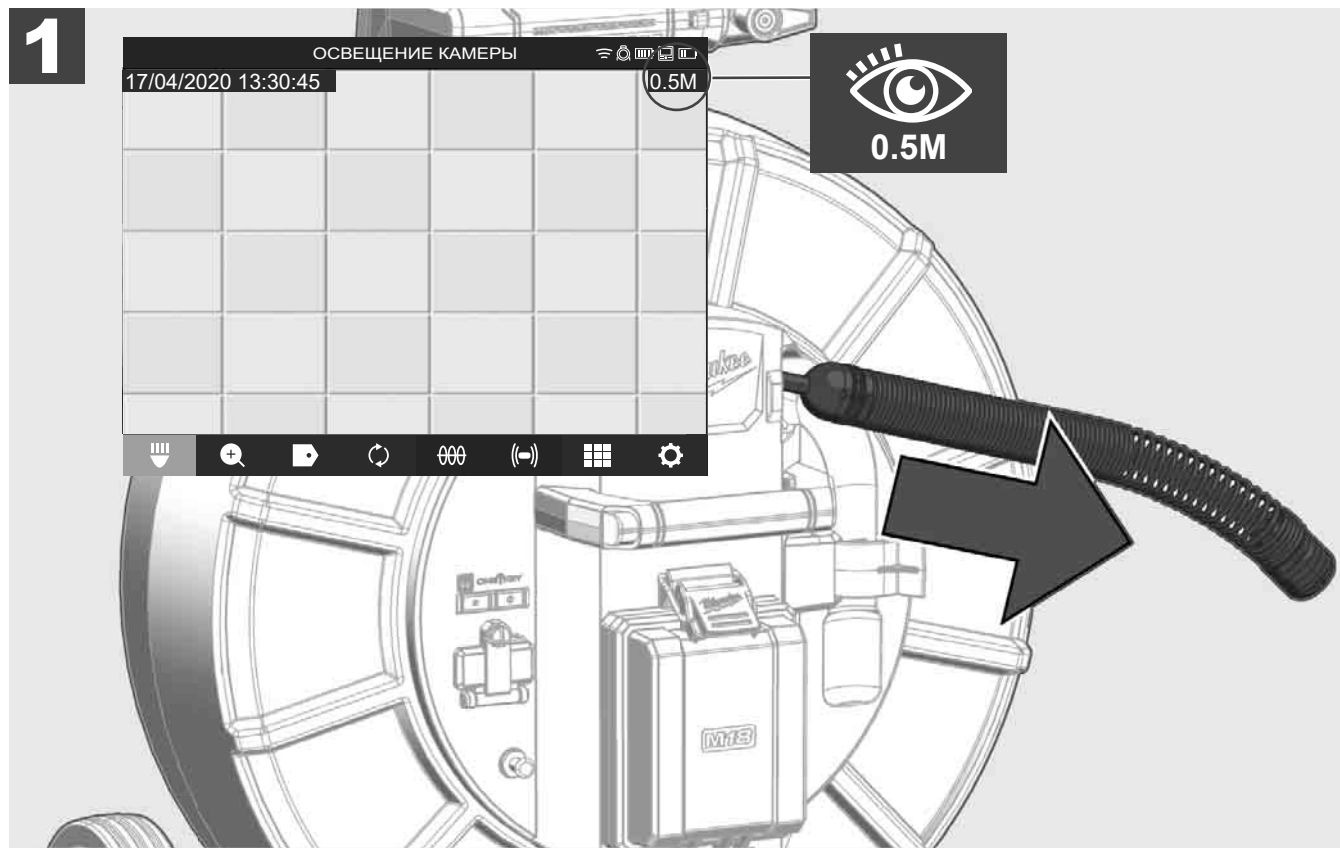


## 2.10 Сбросить счетчик длины



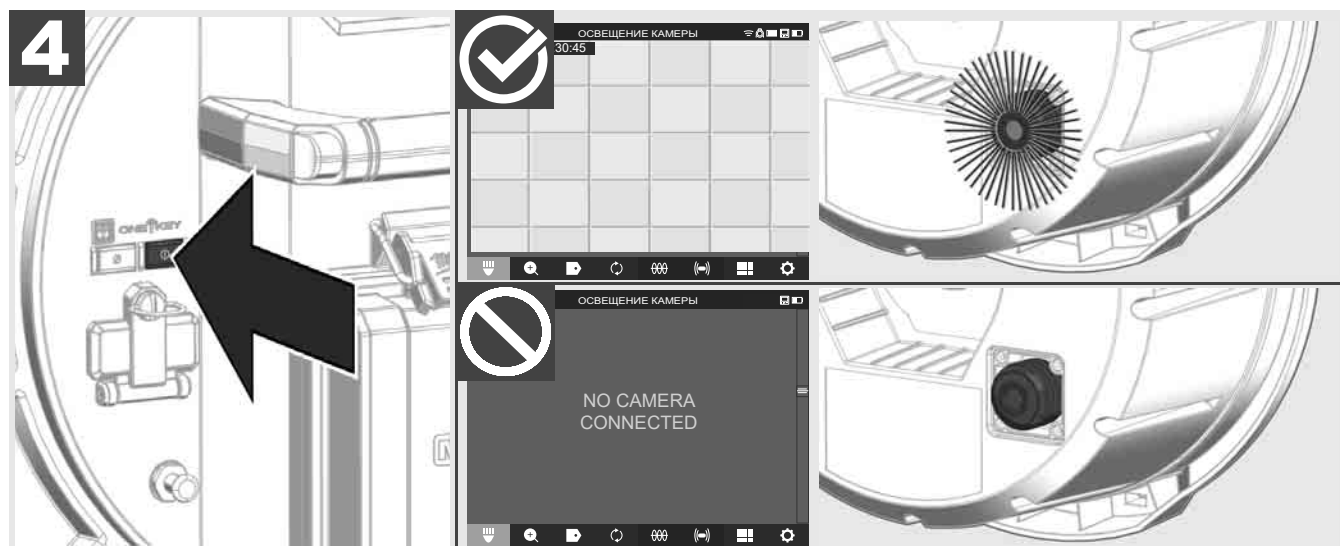
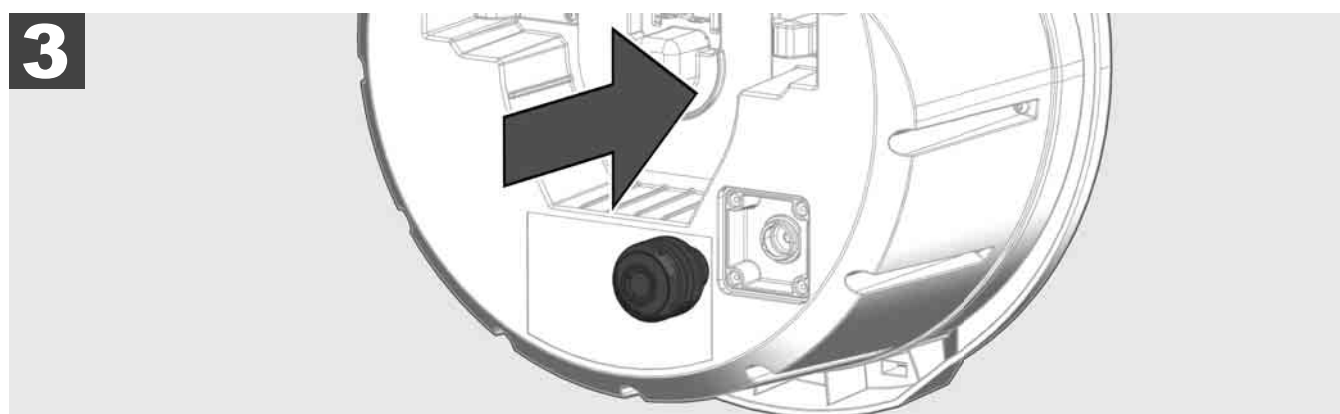
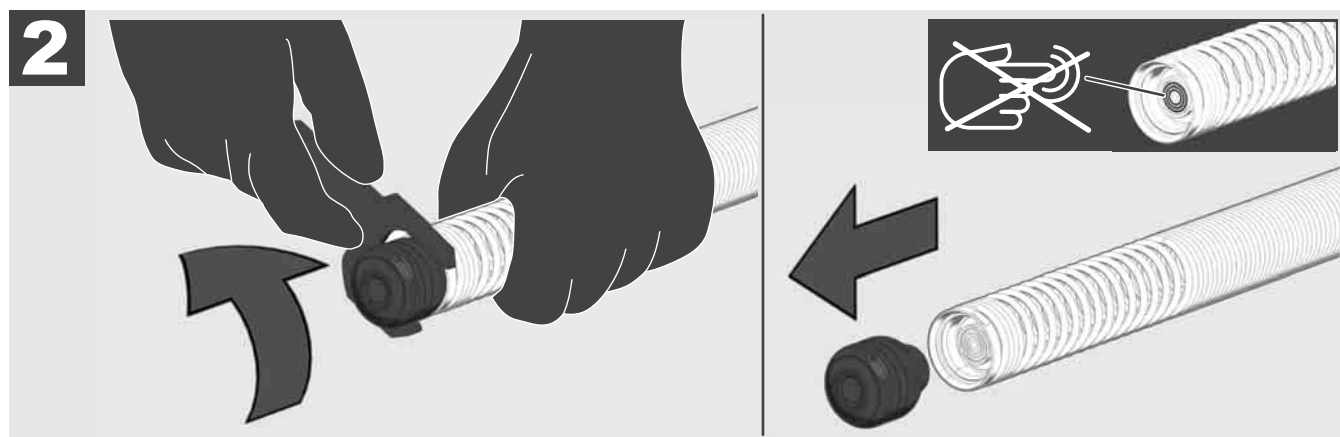
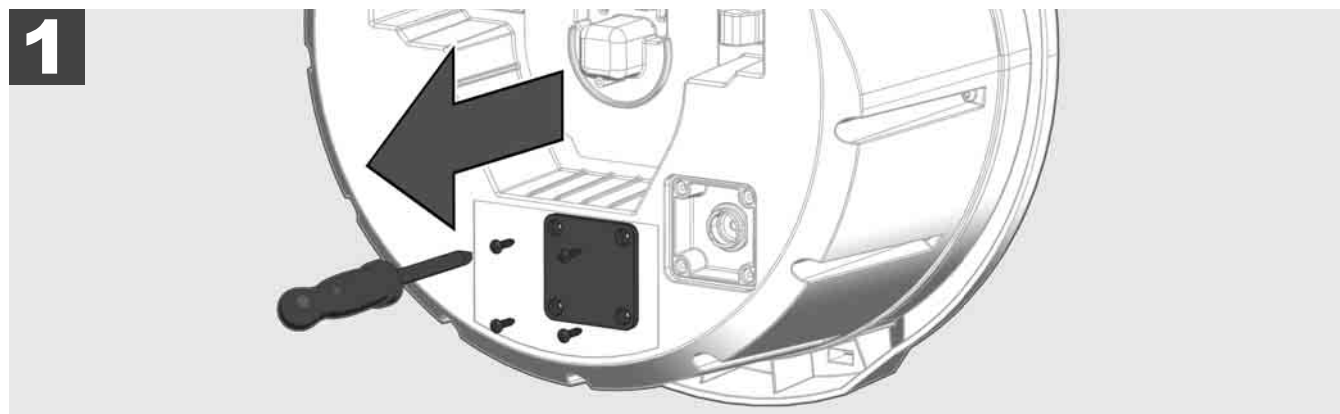
При разматывании БАРАБАНА СИСТЕМЫ ВИДЕОДИАГНОСТИКИ длина размотанного кабеля отображается в строке состояния беспроводного монитора M18 SIM.

Для сброса отображаемого значения нажмите клавишу .



## 2.11 Тестовый разъем камеры


Если есть проблемы с головкой видеокмеры, камеру можно проверить через тестовый разъем.

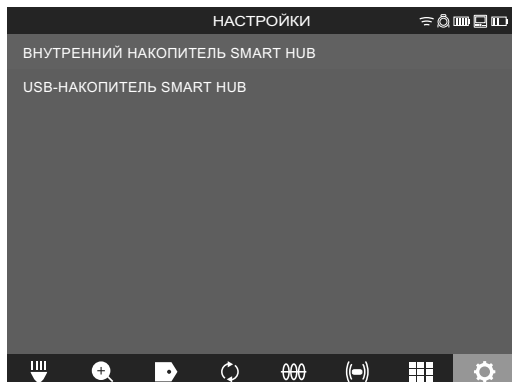


## 2.12 Форматирование внутреннего диска и USB-накопителя

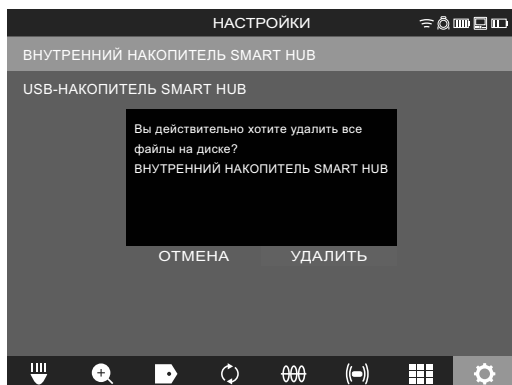
С помощью этой функции вы можете отформатировать внутренний диск Smart Hub на 500 ГБ или USB-накопитель.

Форматирование USB-накопителей должно осуществляться в формате FAT32.

1. Выберите **НАСТРОЙКИ**  → **ФОРМАТИРОВАТЬ НАКОПИТЕЛЬ**
2. Выбрать накопитель.



3. Подтвердить сообщение на экране.




Выбранный диск форматируется, и система возвращается в меню **НАСТРОЙКИ**.

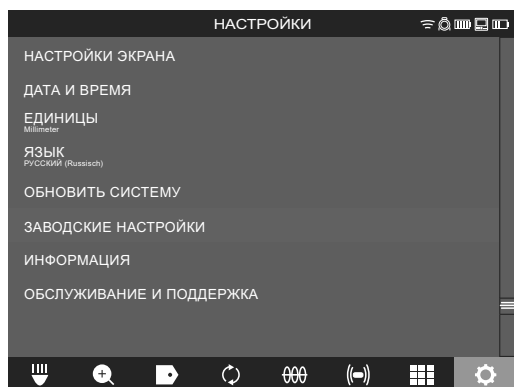
## 2.13 Заводские настройки

При выборе функции «Заводские настройки» Smart Hub M18 SISH сбрасывает значения до установленных на заводе.

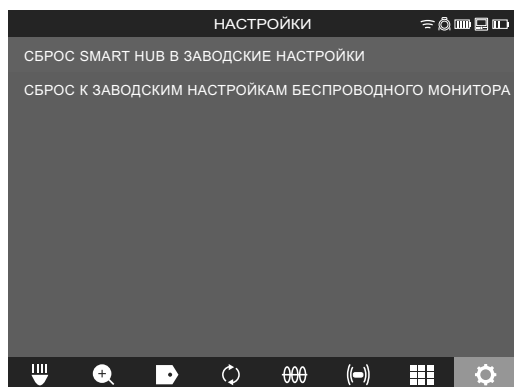
Сбрасываются следующие настройки Smart Hub M18 SISH:

- МЕТКИ удаляются.
- Настройки ВИДЕО и ИЗОБРАЖЕНИЙ сбрасываются до 1080р.
- НАЗВАНИЕ КОМПАНИИ удаляется.
- ЧАСТОТА ЗОНДА сбрасывается до заводских настроек.
- ТРАССИРОВКА КАБЕЛЯ сбрасывается до заводских настроек.
- НАСТРОЙКИ ЭКРАНА сбрасываются до заводских настроек: оттенок, яркость, контрастность, насыщенность.
- ЕДИНИЦЫ ИЗМЕРЕНИЯ

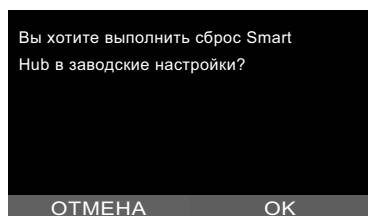
1. Выберите **НАСТРОЙКИ**  → **ЗАВОДСКИЕ НАСТРОЙКИ**



2. Выберите **ЗАВОДСКИЕ НАСТРОЙКИ** Smart Hub M18 SISH.



3. Прочтите сообщение о сбросе и подтвердите его нажатием на кнопку ОК.



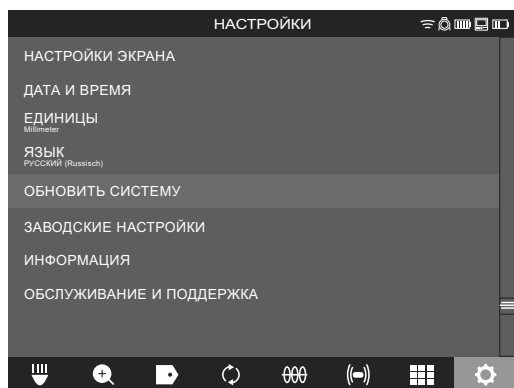
Сброс до заводских настроек завершен, и система возвращается в подменю **ЗАВОДСКИЕ НАСТРОЙКИ**.

## 2.14 Обновление системы

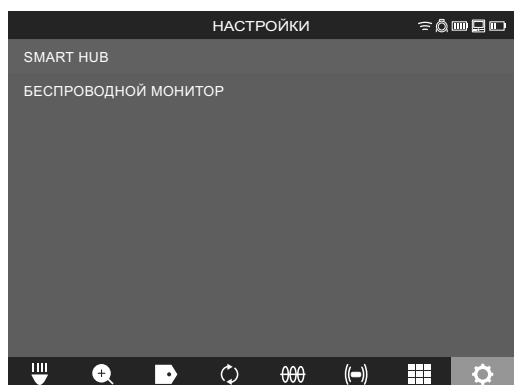
Перед обновлением системы откройте меню **НАСТРОЙКИ** → **ИНФОРМАЦИЯ** и запишите текущую версию микропрограммного обеспечения.

Обновления микропрограммного обеспечения могут выполняться либо через беспроводной монитор M18 SIM, либо через планшет с помощью приложения системы видеодиагностики труб Milwaukee®.

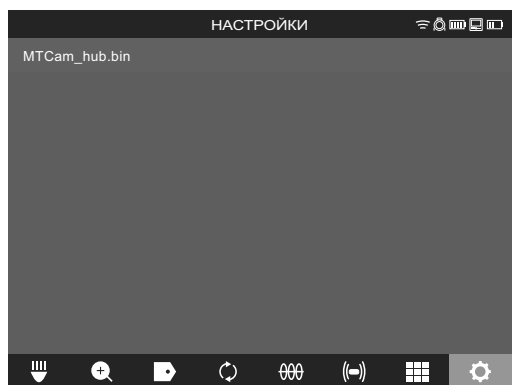
1. Включите Smart Hub M18 SISH и беспроводной монитор M18SIM или планшет с приложением системы видеодиагностики труб Milwaukee®.
2. Убедитесь, что беспроводной монитор или планшет M18 SIM подключен к Smart Hub M18 SISH через Wi-Fi. Если подключение Wi-Fi отсутствует, сначала установите его.
3. Вставьте USB-накопитель с обновлением микропрограммы в порт USB-A Smart Hub M18 SISH.
4. Выберите **НАСТРОЙКИ** → **ОБНОВЛЕНИЕ СИСТЕМЫ**



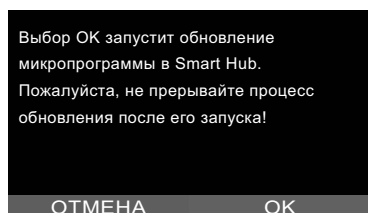
5. Выберите Smart Hub M18 SISH.



6. Имя файла обновления отображается на экране. Выберите **ИМЯ ФАЙЛА**, чтобы начать обновление.

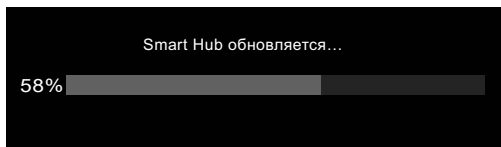


7. Прочитайте предупреждение и подтвердите его нажатием на кнопку ОК.

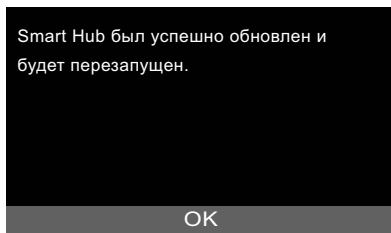




8. Ход обновления отображается на индикаторе выполнения.



9. В конце обновления отображается сообщение, которое необходимо подтвердить. Выберите ОК, чтобы перезагрузить систему.



10. Выберите **НАСТРОЙКИ** → **ИНФОРМАЦИЯ**, чтобы проверить, была ли обновлена версия микропрограммного обеспечения.

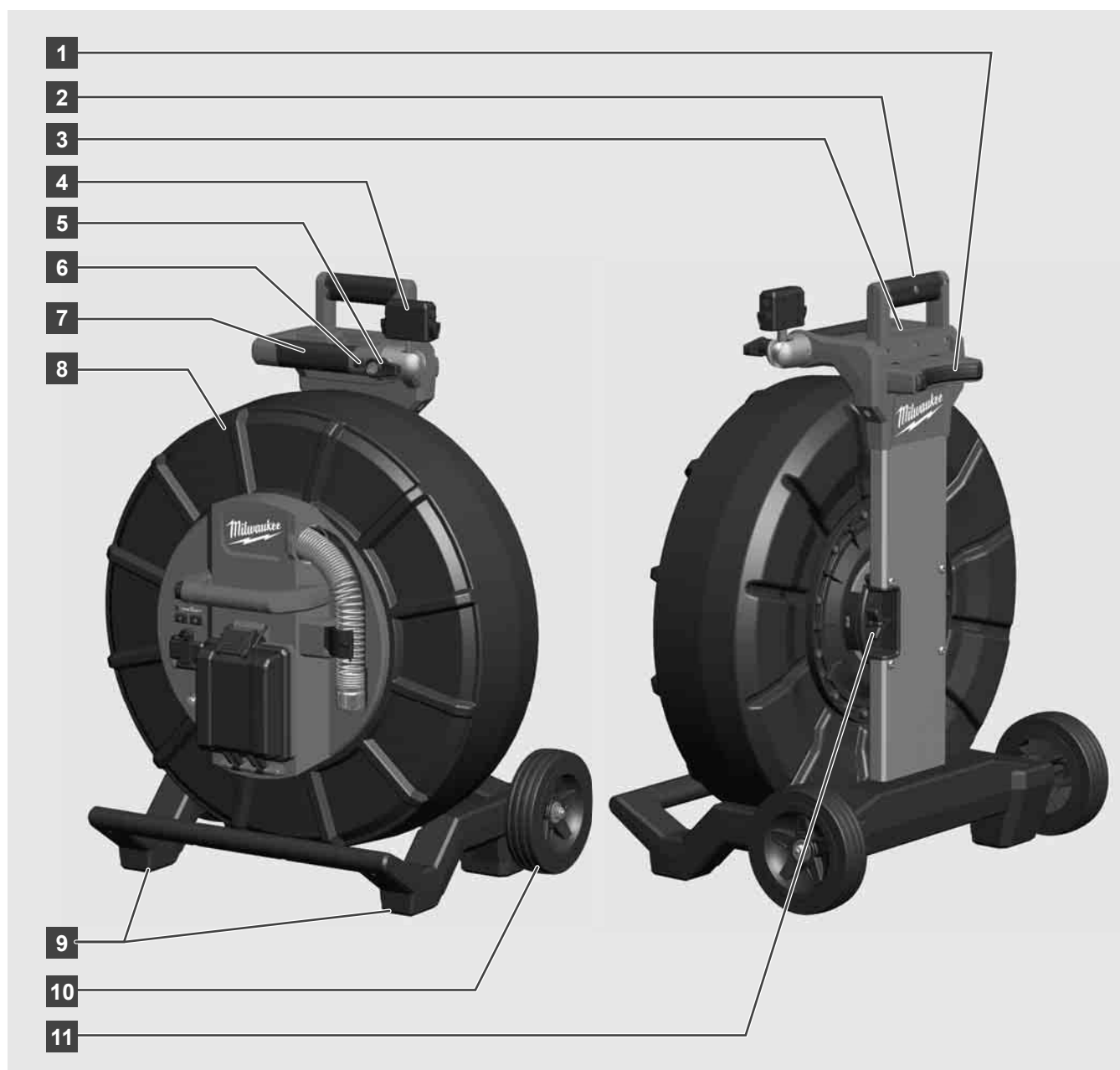
### 3 БАРАБАН СИСТЕМЫ ВИДЕОДИАГНОСТИКИ ТРУБ

#### 3.1 Обзор барабана системы видеодиагностики труб M18 SIC36



- 1 Опорная ножка для использования в горизонтальном положении
- 2 Беспроводной монитор M18 SIM — крепление для планшета и разъем для подключения
- 3 Беспроводной монитор M18 SIM — фиксатор вращения
- 4 Беспроводной монитор M18 SIM — фиксатор наклона
- 5 Захват
- 6 Барабан с проталкиваемым кабелем
- 7 Опорная ножка для использования в вертикальном положении
- 8 Тормоз размотки кабеля
- 9 Опорная ножка для использования в горизонтальном положении
- 10 Переносное устройство

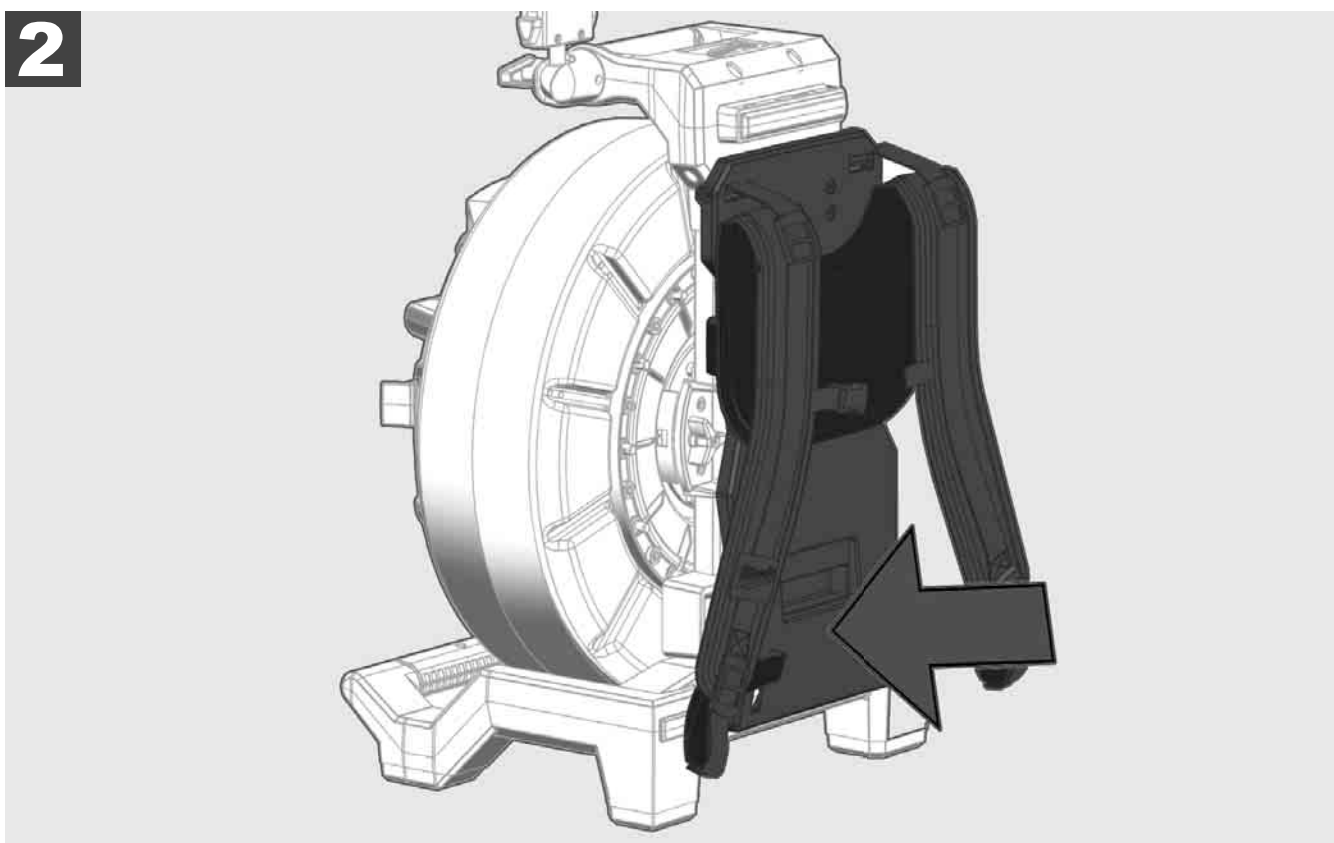
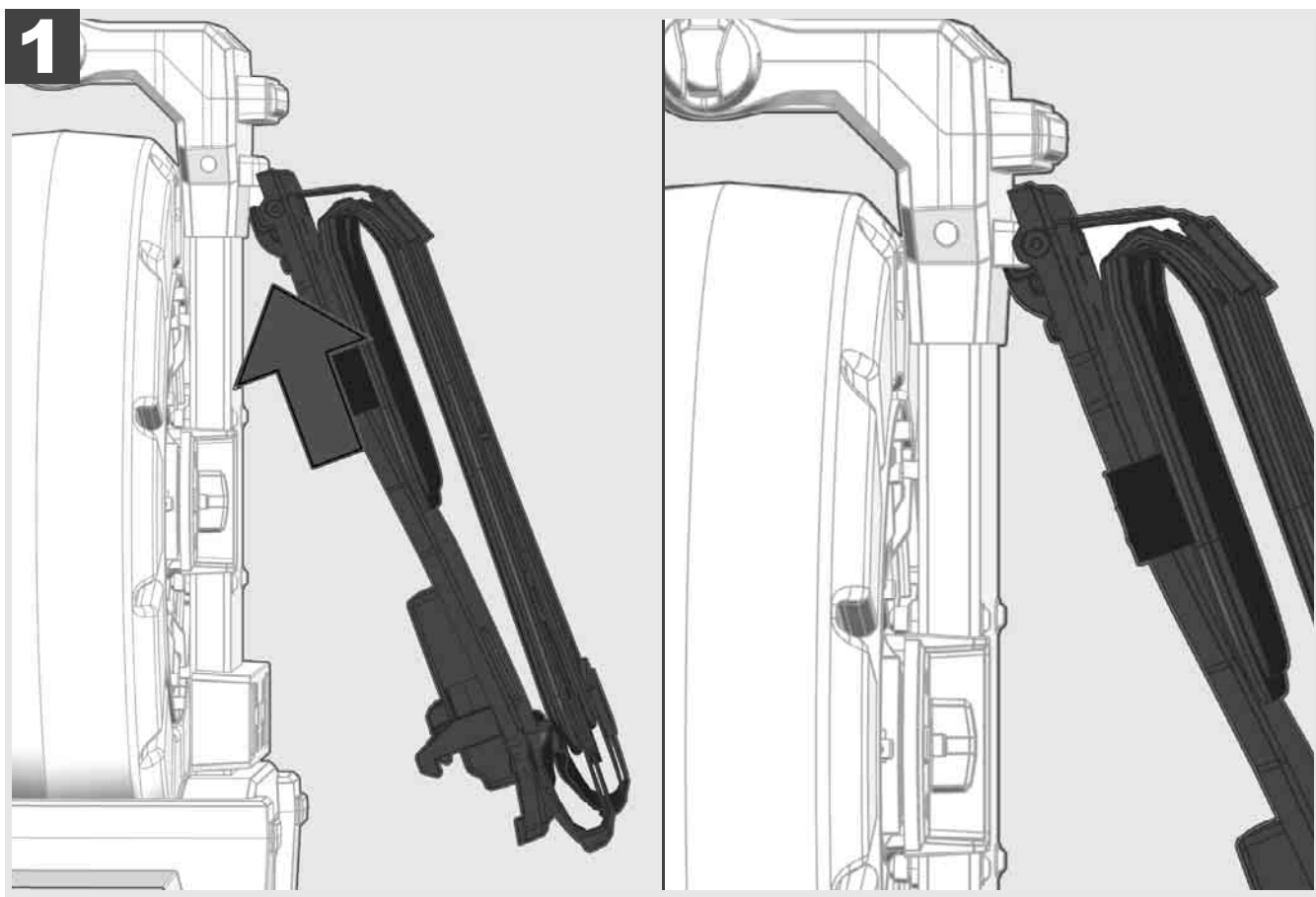
### 3.2 Обзор барабана системы видеодиагностики труб M18 SIC60



- 1 Опорная ножка для использования в горизонтальном положении
- 2 Выдвижная ручка (в убранном положении)
- 3 Кнопка для блокировки и разблокировки выдвижной ручки
- 4 Беспроводной монитор M18 SIM — держатель/крепление для планшета и разъем для подключения
- 5 Беспроводной монитор M18 SIM — предохранитель от вращения
- 6 Беспроводной монитор M18 SIM — предохранитель от опрокидывания
- 7 Захват
- 8 Барабан с проталкиваемым кабелем
- 9 Опорная ножка для использования в вертикальном положении
- 10 Колеса
- 11 Тормоз размотки кабеля

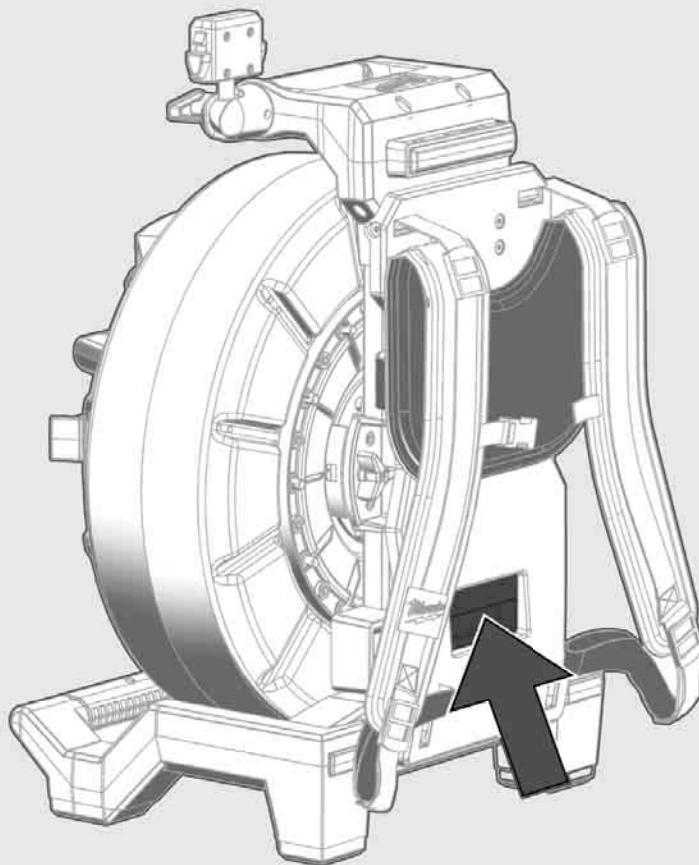
### 3.3 Установить переносное устройство

БАРАБАН СИСТЕМЫ ВИДЕОДИАГНОСТИКИ ТРУБ M18 SIC36 оснащен устройством для переноски, с помощью которого барабан можно переносить на спине, как рюкзак. Оно позволяет удобно транспортировать небольшой барабан к месту использования, что особенно удобно при подъеме по лестнице или при использовании приставных лестниц.

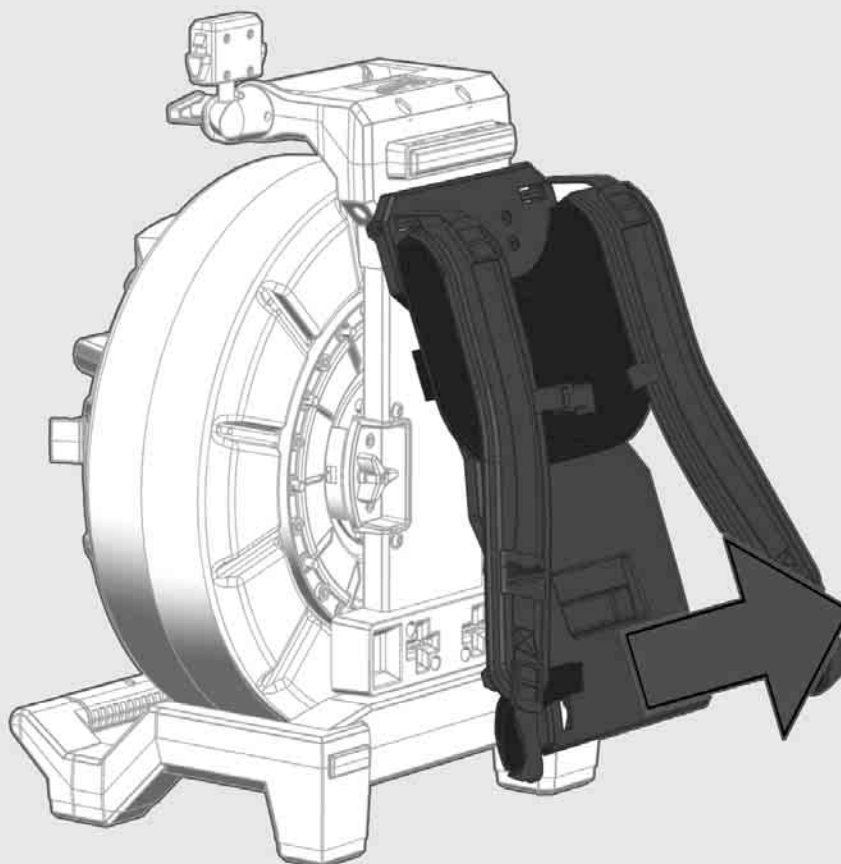


Закрепите переносное устройство сверху и надавите ладонью на нижнюю часть до защелкивания переносного устройства. Слегка потяните за переносное устройство, чтобы убедиться, что оно зафиксирован.

**1**

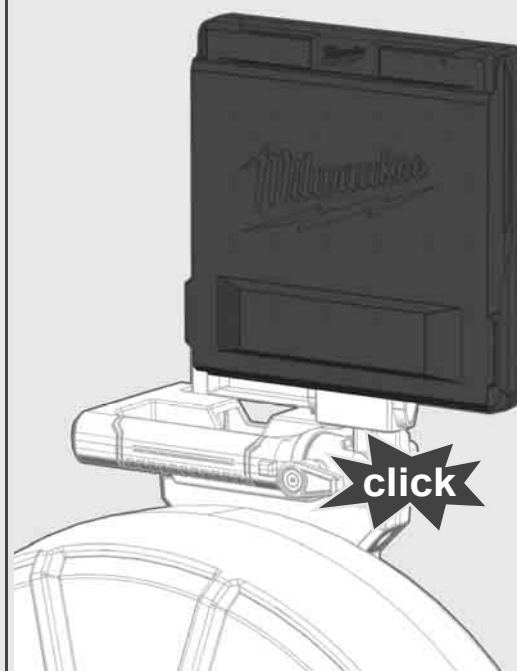
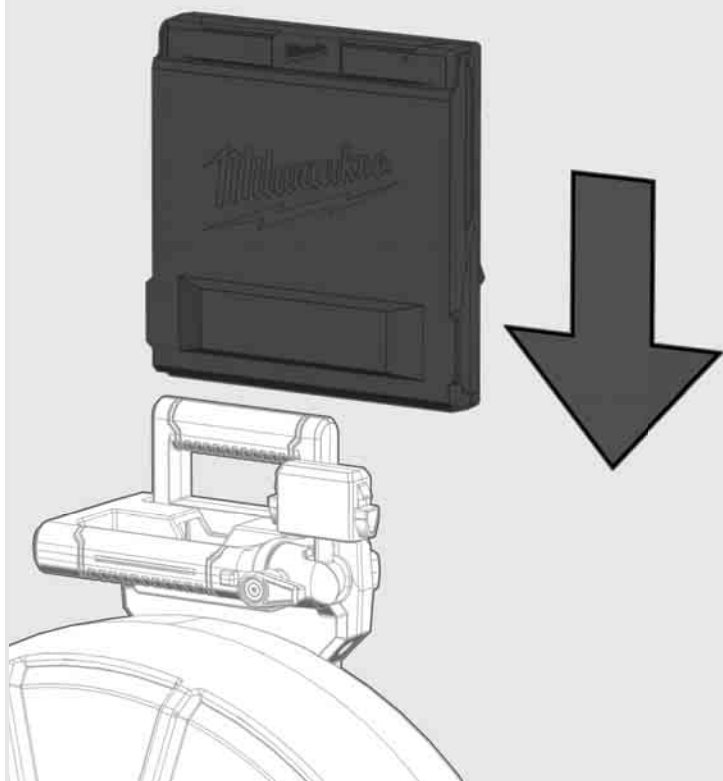


**2**

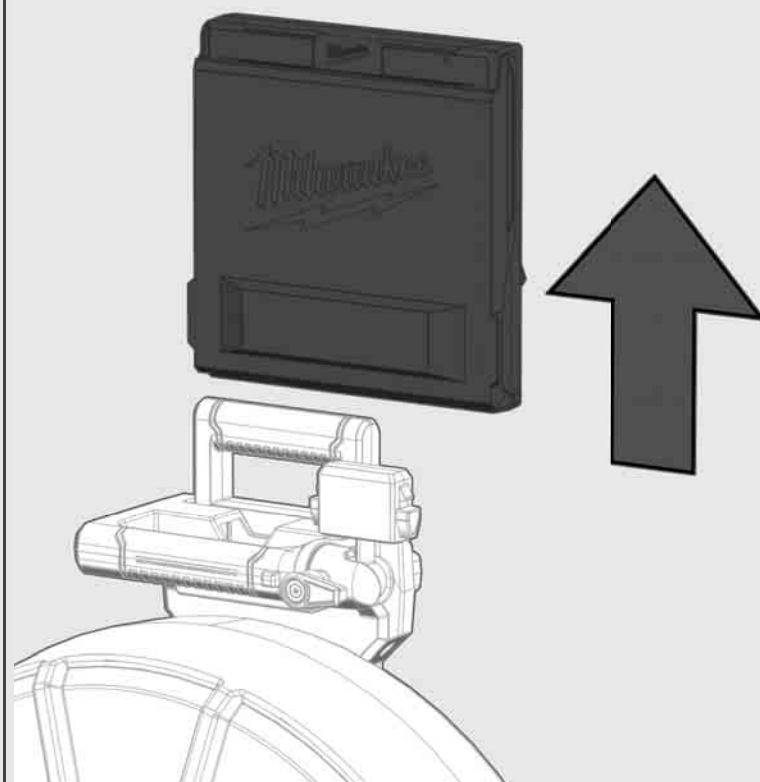
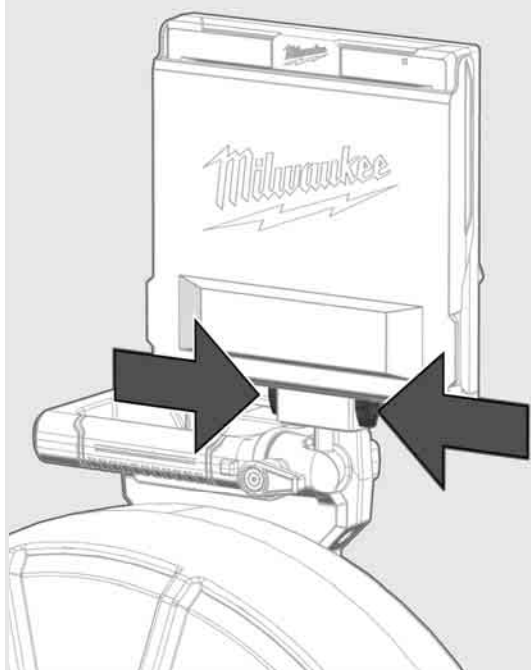


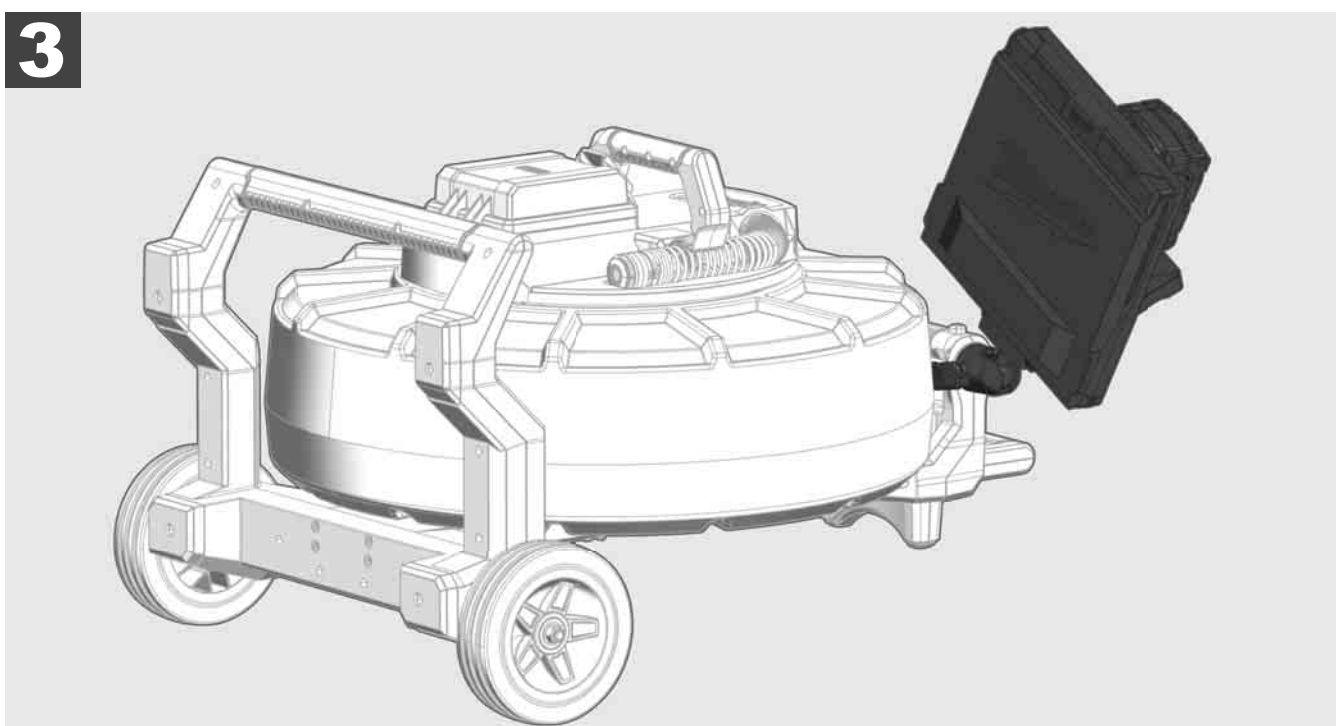
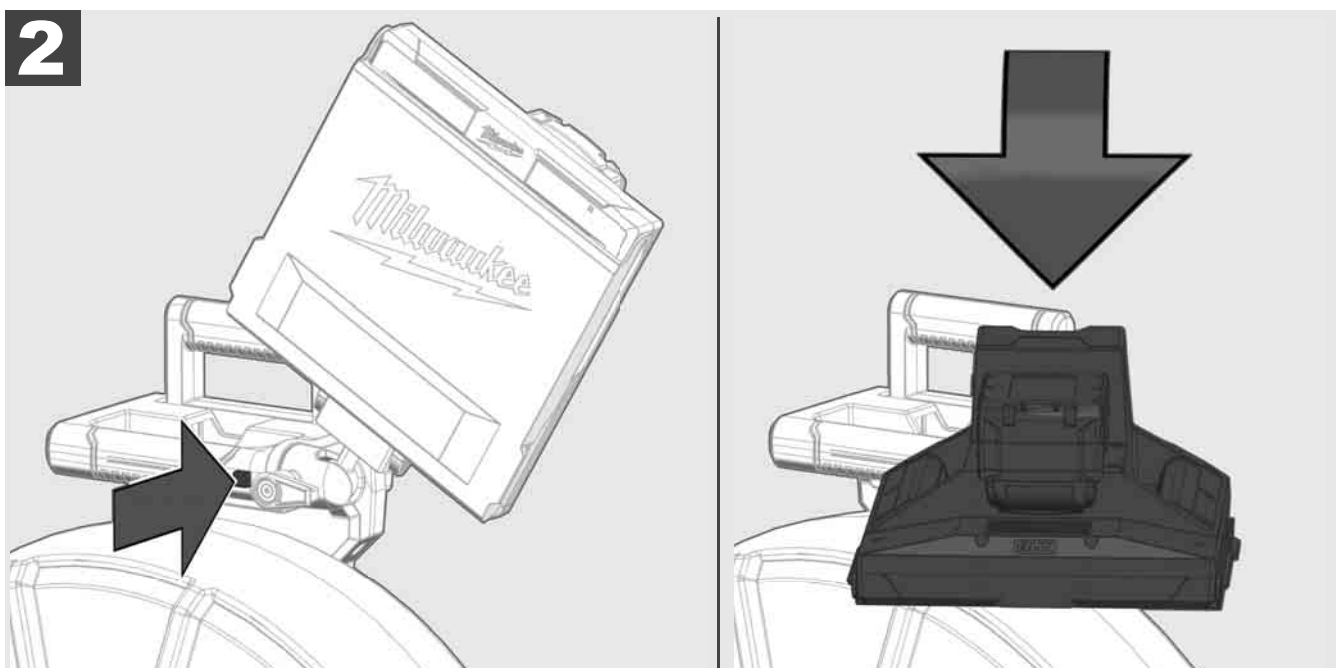
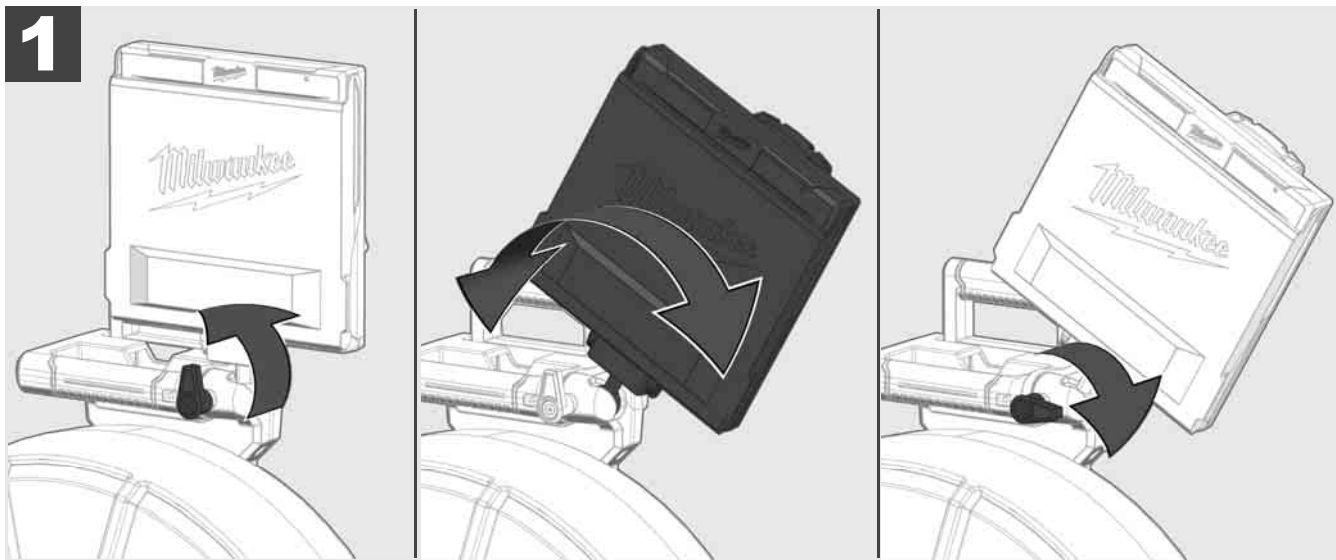


**1**



**2**





### 3.7 Использование барабана системы видеодиагностики труб



Проверьте проталкиваемый кабель на наличие признаков износа — при намотке проверьте кабель на наличие порезов, перегибов и истирания. Если корпус настолько изношен, что видна желтая или белая кевларовая оплетка, необходимо заменить проталкиваемый кабель. При использовании проталкиваемого кабеля с поврежденной оболочкой возможно проникновение воды и влаги, что может повлиять на качество записи с камеры или привести к ее поломке.

На рисунке ниже показаны примеры сильно поврежденной оплетки. Проталкиваемые кабели с подобными повреждениями необходимо заменить как можно скорее.

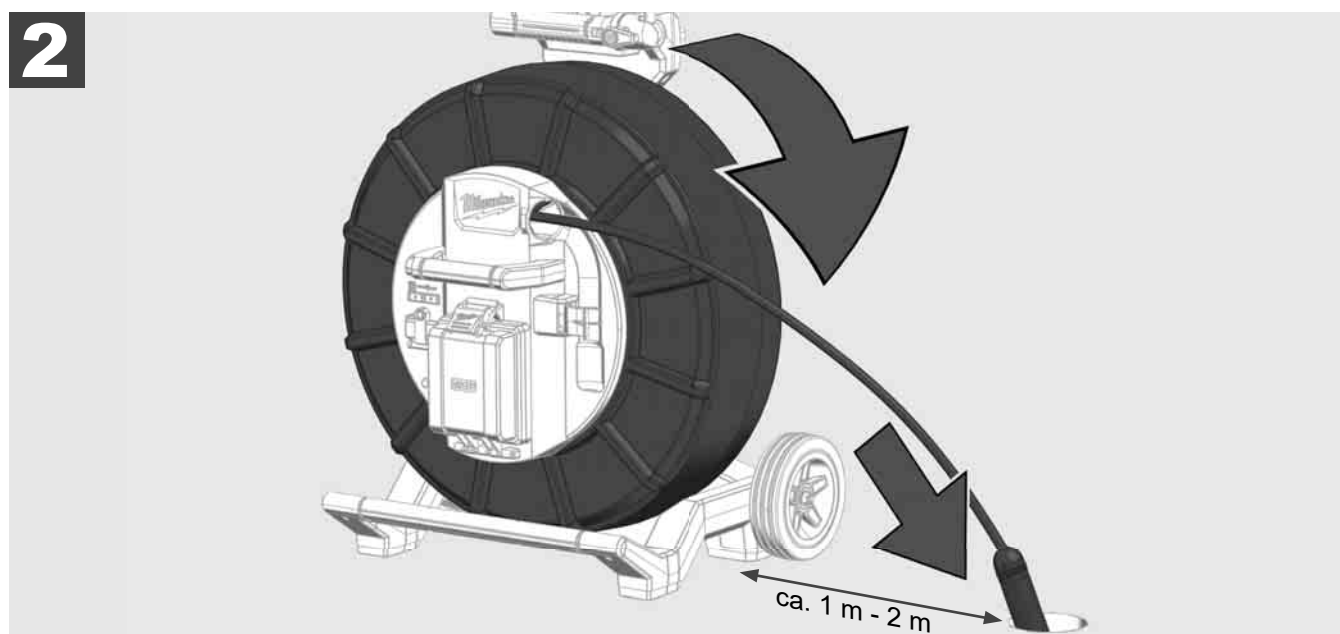
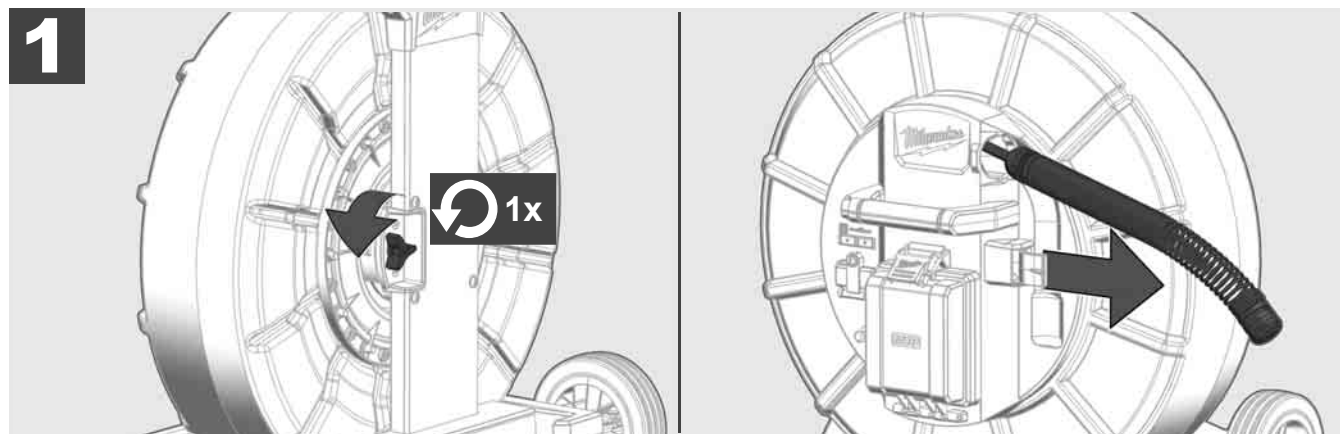


Проталкиваемый кабель и пружина всегда должны оставаться сухими и чистыми. При намотке всегда очищайте кабель чистой сухой тканью. В конце рабочего дня аккуратно смойте грязь с головки видеокамеры и пружины под струей воды. Стряхните остатки воды или продуйте насухо воздухом низкого давления, а затем просушите детали. Головка видеокамеры, проталкиваемый кабель и соединительные детали при ежедневном использовании подвергаются воздействию агрессивных химических веществ. Тщательная очистка системы продлит срок службы этих деталей.

Обращайтесь с проталкиваемым кабелем осторожно — не вытягивайте его из заблокированного барабана. В противном случае кабель в барабане сожмется и будет подвержен чрезмерному давлению. Кроме того, проталкивание кабеля в заблокированный барабан может привести к опрокидыванию катушки или перегибу кабеля.

Поместите барабан на ровную поверхность на расстоянии примерно 1–2 метра от места ввода камеры. Таким образом остается достаточно места для манипулирования кабелем без необходимости тянуть петли кабеля по земле. При необходимости включите фрикционный тормоз, чтобы замедлить движение проталкиваемого кабеля.

Если барабан используется в горизонтальном положении, площадь между ножками увеличивается. Это дает барабану более устойчивое положение на неровной поверхности и уменьшает его высоту, что является преимуществом при работе в узких пространствах.



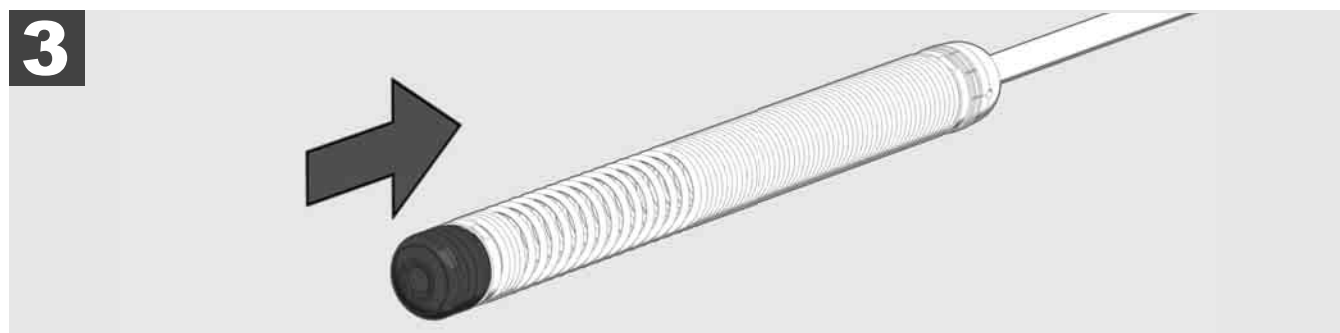
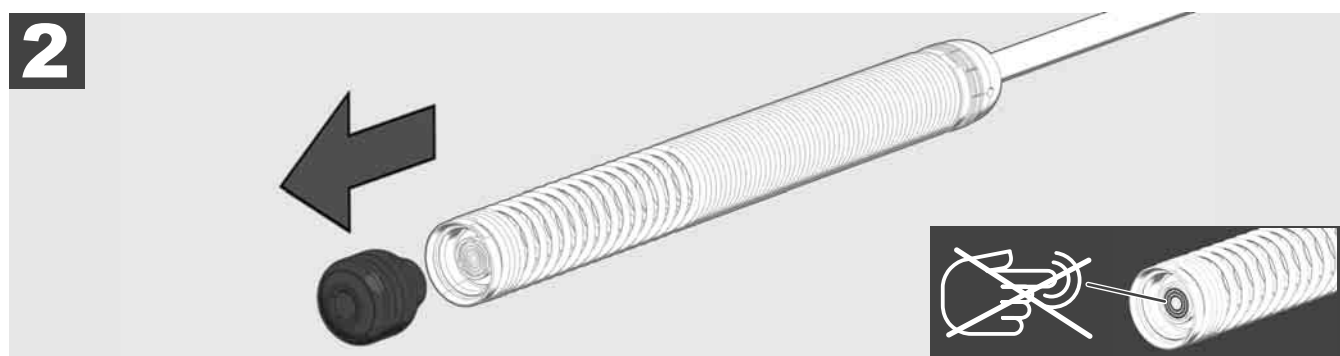


### 3.8 Узел головки видеокамеры



Не прикасайтесь к зеленой монтажной плате или золотым контактам на пружине и головке видеокамеры голыми руками. В противном случае жировой слой на пальцах переносится на эти компоненты, что может привести к их преждевременной коррозии. При возможности наденьте чистые и сухие резиновые перчатки. Перед снятием головки видеокамеры вытрите ее насухо и удалите грязь, которая могла попасть в область соединения камеры.

Не затягивайте слишком туго и не прилагайте чрезмерных усилий!

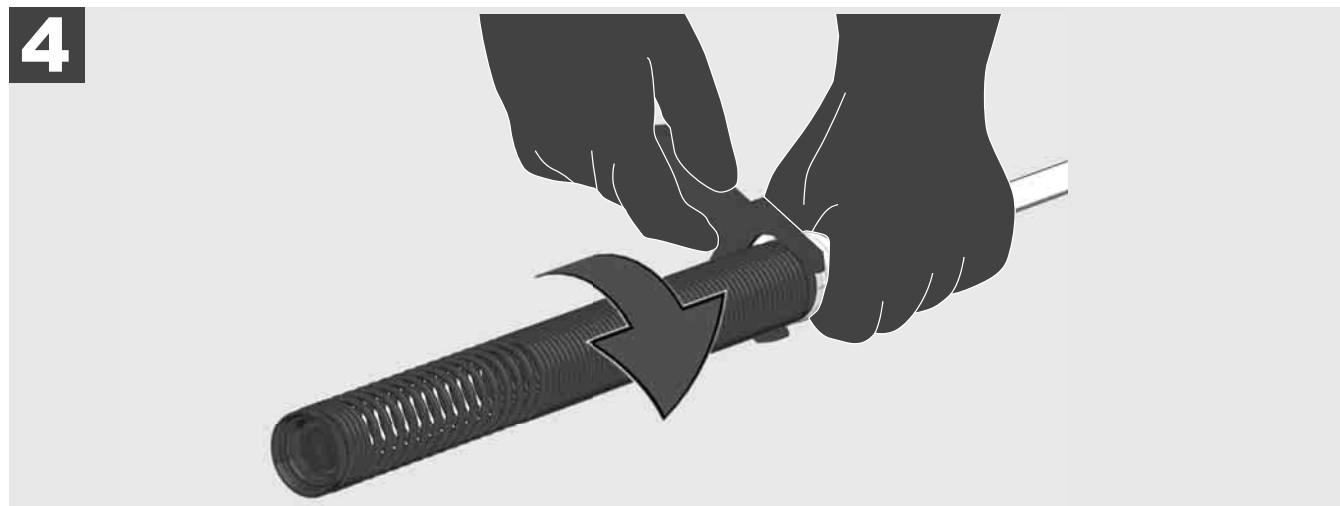
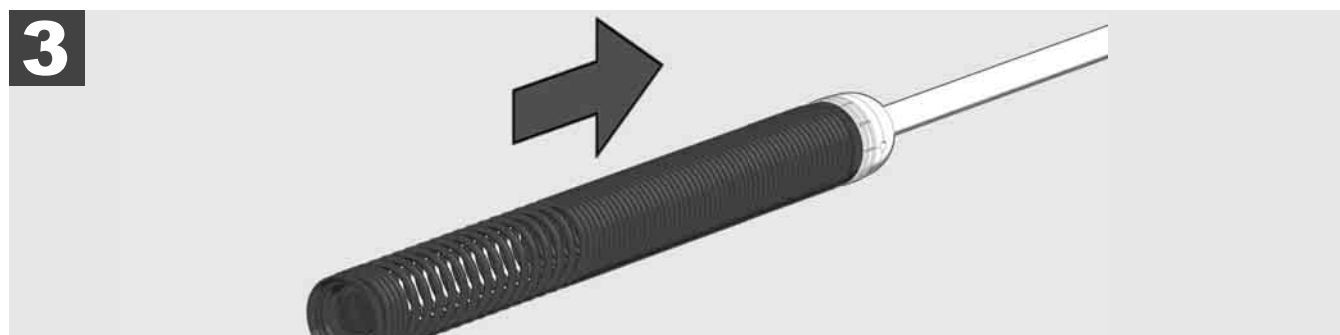
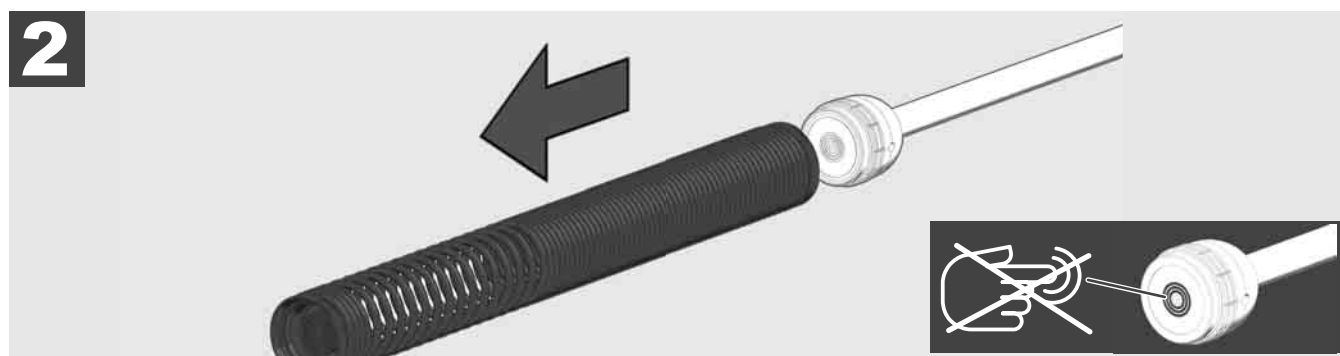


### 3.9 Группа дисков пружины



Не прикасайтесь к зеленой монтажной плате или золотым контактам на пружине и головке видеокамеры голыми руками. В противном случае жировой слой на пальцах переносится на эти компоненты, что может привести к их преждевременной коррозии. При возможности наденьте чистые и сухие резиновые перчатки. Перед снятием головки видеокамеры вытрите ее насухо и удалите грязь, которая могла попасть в область соединения камеры.

Не затягивайте слишком туго и не прилагайте чрезмерных усилий!



### 3.10 Защитный кожух камеры

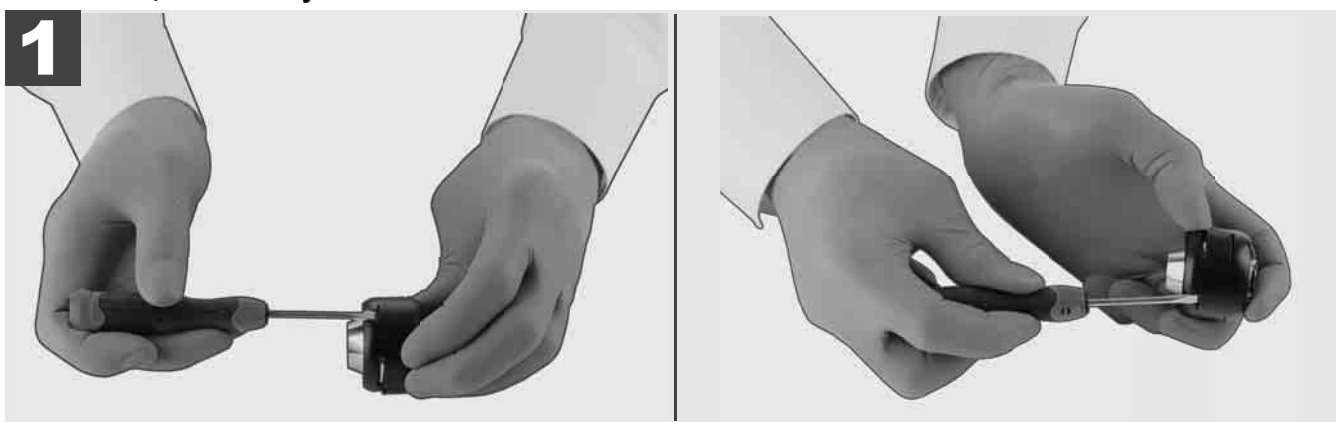


Защитный кожух — подходит для головок видеокамер диаметром 25 мм или 34 мм. Защитный кожух поставляется со всеми БАРАБАНАМИ СИСТЕМЫ ВИДЕОДИАГНОСТИКИ ТРУБ или сменными головками камер.

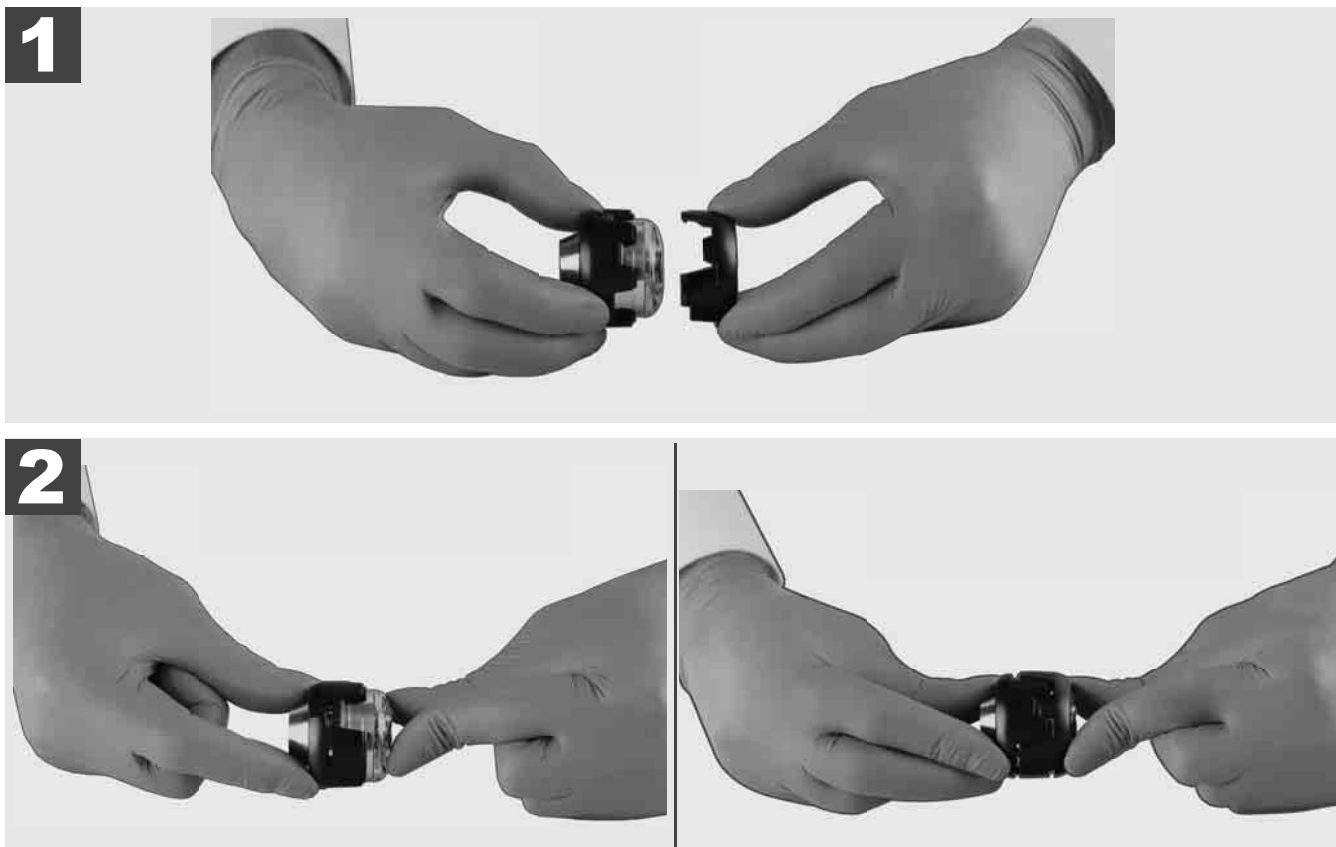
Направляющие — они расположены на пружине так, чтобы головка видеокамеры двигалась вдоль поверхности пола и не вступала в прямой контакт с трубой.



#### Снятие защитного кожуха



#### Установка защитного кожуха



### 3.11 Направляющие камеры



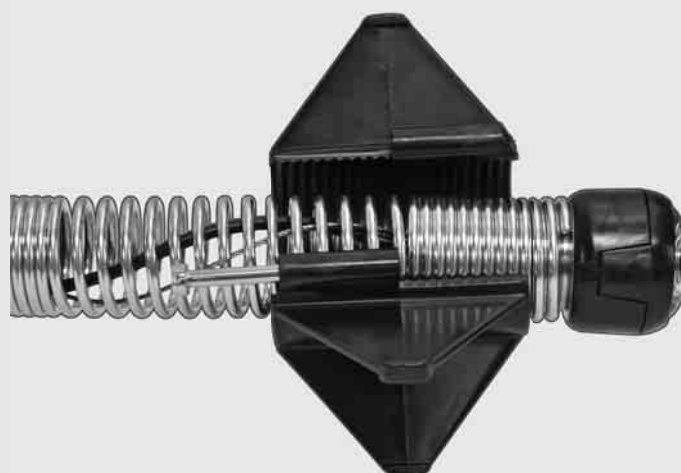
Для головок видеокамеры шириной 25 мм и 34 мм доступны два вида направляющих: малая версия на 75 мм и средняя версия на 100 мм.

Направляющая камеры 25 мм

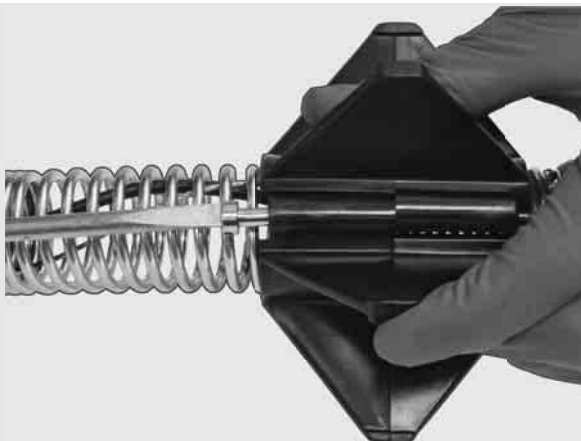
Направляющая камеры 34 мм



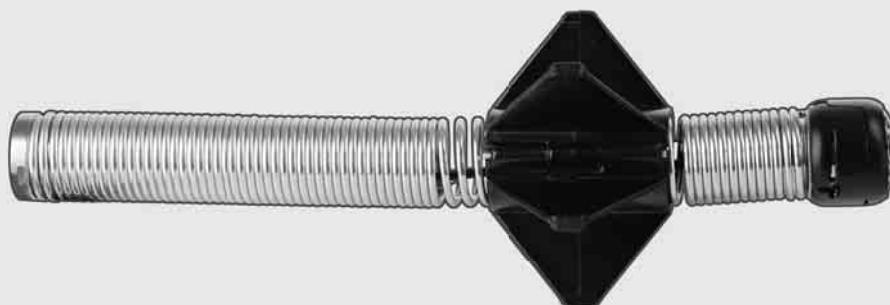
**1**



**2**



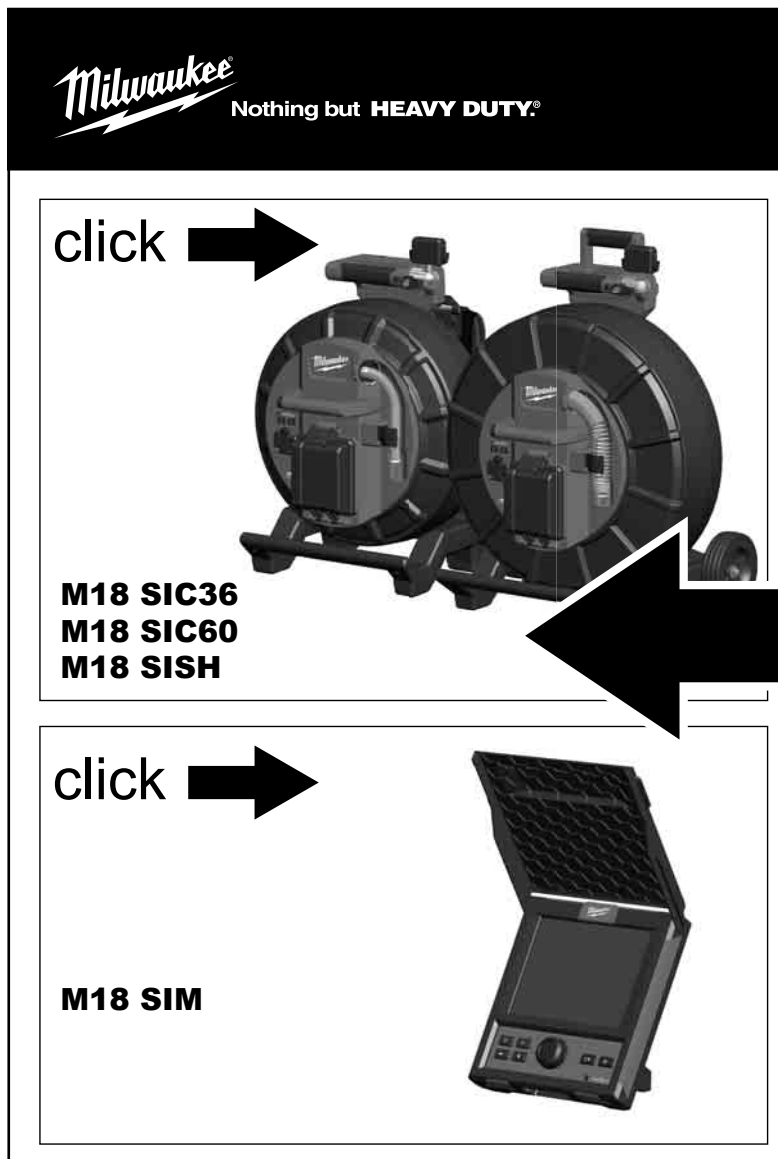
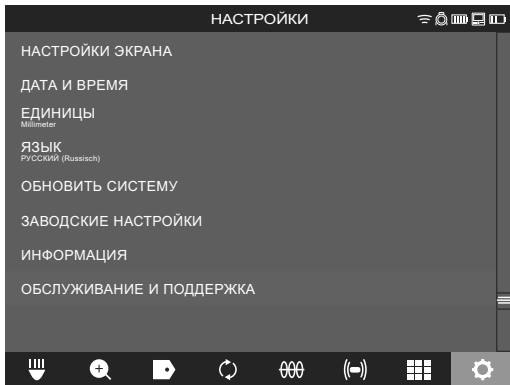
**3**



### 3.12 Обслуживание и поддержка

Если необходимо произвести ремонт вашей СИСТЕМЫ ВИДЕОДИАГНОСТИКИ ТРУБ, в разделе ОБСЛУЖИВАНИЕ И ПОДДЕРЖКА можно найти веб-сайт и телефонные номера сервисной службы Milwaukee.

Выберите **НАСТРОЙКИ**  → **ОБСЛУЖИВАНИЕ И ПОДДЕРЖКА**



click

1	Общи указания	2
1.1	Специални инструкции за безопасност за системи за инспектиране на тръби	2
1.2	Допълнителни указания за работа и безопасност	2
1.3	Технически данни	3
1.4	Използване по предназначение	3
1.5	Радиочестотни изисквания по отношение на европейските инсталации	3
1.6	Декларация за съответствие на ЕО	4
1.7	ONE-KEY™	4
1.8	АКУМУЛАТОРИ	4
1.9	Превоз на литиево-йонни акумулаторни батерии	4
1.10	Поддръжка	5
1.11	Символи	5
2	Smart Hub M18 SISH	6
2.1	Преглед Smart Hub M18 SISH	6
2.2	Поставяне и изваждане на батерията	7
2.3	Проверка на заряда на батерията	8
2.4	Поставяне на Smart Hub M18 SISH	9
2.5	Отстраняване на Smart Hub M18 SISH	10
2.6	Прекъсвач за включване/изключване	11
2.7	Свързване на монитора	12
2.8	USB портове	13
2.9	Заземяващ прът	14
2.10	Нулиране на брояча на дължините	15
2.11	Тестов конектор за камерата	16
2.12	Форматиране на вътрешния диск и USB стика	17
2.13	ФАБРИЧНИ НАСТРОЙКИ	18
2.14	Актуализиране на системата	19
3	МАКАРИ ЗА ИНСПЕКТИРАНЕ НА ТРЪБИ	21
3.1	Преглед на макара за инспектиране на тръби M18 SIC36	21
3.2	Преглед на макара за инспектиране на тръби M18 SIC60	22
3.3	Инсталиране на приспособление за носене	23
3.4	Премахване на приспособлението за носене	24
3.5	Инсталиране на безжичен монитор M18 SIM	25
3.6	Настройване на безжичен монитор M18 SIM	26
3.7	Употреба на макарата за инспектиране на тръби	27
3.8	Конструктивна група на главата на камерата	28
3.9	Пружинна група	29
3.10	Защитна капачка на главата на камерата	30
3.11	Водачи на камерата	31
3.12	Обслужване и поддръжка	32

## 1.1 Специални инструкции за безопасност за системи за инспектиране на тръби

При работа в тръби обърнете внимание те да не са под напрежение или с електрически заряд. Тръбите не бива да съдържат течности. Камерата и устройството не бива да влизат в допир с течности.

Камерата и кабелът не бива да влизат в допир с масло, газ или други разяждащи материали.

За да намалите риска от експлозия, електрически удар и материални щети, винаги проверявайте работната зона преди всички работи. Кабелът не трябва да влиза в контакт с електрически компоненти, химикали или подвижни части.

За да намалите риска от повреди на уреда, не използвайте прекомерна сила и не пречупвайте кабела. Не използвайте инспекционната камера и кабела в зони, в които те могат да влязат в контакт с агресивни или мазни субстанции.

Не използвайте кабела за отстраняване на запушвания или препятствия. Това не е инструмент за почистване на тръби!

Когато е вероятно отходната тръба, която ще се инспектира, да съдържа химикали, бактерии или други токсични вещества, респ. причинители на инфекции, използвайте латексови или гумени ръкавици от препоръчаните от производителя, както и защитни очила, защита за лицето, защитно облекло и дихателна маска. Тръбопроводите могат да съдържат химикали, бактерии или други вещества, които са токсични или предизвикват инфекции и изгаряния, или могат да причинят тежки наранявания.

Спазвайте хигиенните предписания. Не се хранете и не пушете, докато използвате уреда. След боравене с или употреба на системата за инспектиране на тръби, ръцете и останалите части на тялото, които са били в контакт със съдържанието на тръбите, винаги трябва да се измият с топла вода и сапун. Така ще избегнете рисковете за здравето поради контакта с токсични или предизвикващи инфекции вещества.

Преди употреба проверете спиралата за следи от износване и повреди. Преди работа с уреда заменете износената или повредена спирала.

**ВНИМАНИЕ!** При транспорта на системата за инспектиране на тръби с помощта на приспособлението за носене на гърба трябва да се действа внимателно. Възможно е да загубите равновесие.

Винаги използвайте уреда обмислено и внимателно. Не е възможно да се предвидят всички опасни ситуации. Не използвайте този уред, ако не разбирате настоящото упътване или работата Ви затруднява. За допълнителна информация и обучение се свържете с Milwaukee или квалифициран специалист.

Не сваляйте етикетите и типовите табелки. Тези табелки съдържат важна информация. Ако указателните табелки вече не са четливи или липсват, свържете се с клиентския сервиз на MILWAUKEE, за да получите безплатни резервни табелки.

Някои от праховете, предизвикани от шлайфмашини, триони и бормашини или други строителни дейности, могат да съдържат химически субстанции, които са канцерогенни, водят до вродени дефекти или влошават плодовитостта. Примери за химически субстанции от този вид са:

- олово от бои на оловна основа,
- силициев диоксид на кристали, цимент или други зидарски продукти, както и
- арсен или хром от химически обработено строително дърво.

Експозиционният риск зависи от това колко често изпълнявате такъв вид дейности. За да поддържате експозиционния риск възможно най-нисък, винаги работете в добре проветрени пространства. Носете официално разрешени защитни средства като например противопрахови маски с филтър за микрочастици.

## 1.2 Допълнителни указания за работа и безопасност

Не сменяйте батерията, когато повърхността на инструмента е мокра.

Не изгаряйте изхабените акумулаторни батерии или не ги изхвърляйте при битовите отпадъци. Milwaukee предлага екологосъобразно събиране на старите акумулаторни батерии.

Не съхранявайте акумулаторните батерии заедно с метални предмети (опасност от късо съединение).

Зареждайте акумулаторните батерии от системата M18 само със зарядни устройства от системата M18. Не използвайте акумулаторни батерии от други системи.

При екстремно натоварване или екстремна температура от повредени акумулаторни батерии може да изтече батерийна течност. При допир с такава течност веднага измийте с вода и сапун. При контакт с очите веднага изплаквайте старателно най-малко 10 минути и незабавно потърсете лекар.

**Предупреждение!** За да избегнете опасността от пожар, предизвикана от късо съединение, както и нараняванията и повредите на продукта, не потапяйте уреда, акумулаторната батерия или зарядното устройство в течности и се погрижете в уредите и акумулаторните батерии да не попадат течности. Течностите, предизвикващи корозия или провеждащи електричество, като солена вода, определени химикали, изобелващи вещества или продукти, съдържащи изобелващи вещества, могат да предизвикат късо съединение.

Не е разрешено уредът да се обслужва или почиства от лица, които са с ограничени физически, сетивни или интелектуални възможности респективно които имат ограничен опит и познания, освен в случаите, в които са инструктирани за безопасно боравене с уреда от лице, което е законно упълномощено да отговаря за тяхната сигурност и безопасност. При използване на уреда горе посочените лица трябва да бъдат надзиравани. Уредът не бива да се предоставя на деца. Поради тази причина в случаите, когато не се използва, уредът трябва да бъде съхраняван на сигурно място, извън достъпа на деца.

### 1.3 Технически данни

	M18 SIC36	M18 SIC60	M18 SISH
Дължина на кабела на камерата.....	36 m.....	60 m	
Глава на камерата.....	∅ 25 mm.....	∅ 34 mm	
Макс. увеличение .....	4x .....	4x	
Напрежение на акумулаторната батерия .....			18 V
Тегло съгласно процедурата ЕРТА 01/2014 (4.0 Ah / 12 Ah).....	12,4 kg.....	20,46 kg.....	5,37 kg
Честотен обхват (честотни обхвати) на Bluetooth .....			2402-2480 MHz
високочестотна мощност .....			1,8 dBm
Версия на Bluetooth.....			4.0 BT signal mode
Препоръчителна околна температура при работа .....	-18 ....	+50 °C	
Препоръчителни видове акумулаторни батерии .....	M18B....;	M18NB....	
Препоръчителни зарядни устройства.....	M12-18C, M12-18AC, M12-18FC, M1418C6		

### 1.4 Използване по предназначение

Системата за инспектиране на тръби служи за оглед и инспекция на тръбопроводи. Системата се състои от три модула:

#### - Макара за инспектиране на тръби M18 SIC36 или M18 SIC60

Макаратата за инспектиране на тръби служи за навиване и развиване и за управление на кабела.

Макарите се предлагат в два размера: M18SIC36 за тръби с диаметър 50 mm до 150 mm и по-големият модел M18SIC60 за тръби с диаметър 75 mm до 250 mm.

Двете макари включват кабел с пружинен конструктивен модул, върху който е монтирана самонивелиращата се глава на камерата. Безжичният монитор M18 SIM и Smart Hub M18 SISH могат да се използват с двете макари.

Двете макари могат да се използват както във вертикално, така и в хоризонтално положение. На задната страна на M18 SIC36 може да се закрепят приспособление за носене за пренасяне на уреда на гръб.

#### - Smart Hub M18 SISH

Smart Hub M18 SISH служи за управление на системата за инспектиране на тръби.

Безжичният монитор M18 SIM или таблетът, на който е инсталирано приложението за инспектиране на тръби от Milwaukee®, се свързва с SMART HUB M18 SISH, за приемане на видеозаписи и изображения. Както видеата, така и изображенията, се запамятват на вътрешния диск на SMART HUB M18 SISH.

#### - Безжичен монитор M18 SIM (не е включен в обхвата на доставката; може да се закупи отделно)

Безжичният монитор M18 SIM дава възможност за гледане на видеата, записани от главата на камерата, за запис на видео и снимки, както и за възпроизвеждане на видео и снимковите файлове. По време на записа на видео, с вградения микрофон могат да се записват гласови коментари. С помощта на функцията „Етикети“ също могат да се добавят коментари. Текстовете на коментарите се показват в записаното видео и се появяват на изображенията заедно с датата и часа и с дължината на развития кабел.

Този уред може да се използва по предназначение само както е посочено.

### 1.5 Радиочестотни изисквания по отношение на европейските инсталации

Указание: Уредът е проверен и съответства на граничните стойности на приемник от категория 3 съгласно EN300 440 V2.1.1.

Тези гранични стойности следва да осигурят подходяща защита от радиотехнически смущения в жилищни сгради.

Устройството реагира на други устройства, излъчващи радиовълни в честотен обхват от 2402 до 2480 MHz. Поради това могат да се получат смущения при използването на дистанционното управление.



Не може да бъде изключена вероятността от проявяване на смущения при определени обстоятелства. За да установите дали устройството е подложено на смущения от радиосигналите на други устройства, изключете го за кратко време, за да проверите дали смущенията ще изчезнат. За отстраняване на смущенията могат да помогнат следните мерки:

- Изключване на източника на смущението.
- Увеличаване на разстоянието до източника на смущението.
- Консултация със специализиран търговец или квалифициран радиотехник.

## 1.6 Декларация за съответствие на ЕО

С настоящото Techtronic Industries GmbH декларира, че този тип радиосъоръжение M18SISH е в съответствие с Директива 2014/53/ЕС. Цялостният текст на ЕС декларацията за съответствие може да се намери на следния интернет адрес: <http://services.milwaukeeetool.eu>

## 1.7 ONE-KEY™

За повече информация относно функцията ONE-KEY на уреда прочетете приложеното ръководство за бърз старт или ни посетете в интернет на адрес [www.milwaukeeetool.com/one-key](http://www.milwaukeeetool.com/one-key). За да изтеглите ONE-KEY приложението на Вашия смартфон, посетете app store или google play.

Ако се стигне до електростатични разреждания, Bluetooth връзката се прекъсва. В такъв случай възстановете връзката ръчно.

Уредът съответства на минималните изисквания съгласно EN 55014-2:2015 / EN 301489-1 V2.2.3 / EN 301489-17 V3.1.1.

### Индикация ONE-KEY™

Синя светлина: Безжичната връзка е активна и може да се настрои чрез приложението ONE-KEY™.

Синьо премигване: Уредът комуникира с приложението ONE-KEY™.

Червено премигване: Уредът е блокиран по съображения за безопасност и може да се деблокира от оператора чрез приложението ONE-KEY™.

## 1.8 АКУМУЛАТОРИ

Акумулаторни батерии, които не са ползвани по-дълго време, преди употреба да се дозаредят.

Температура над 50°C намалява мощността на акумулаторната батерия. Да се избягва по-продължително нагряване на слънце или от отопление.

Поддържайте чисти присъединителните контакти на зарядното устройство и на акумулаторната батерия.

За оптимална продължителност на живот след употреба акумулаторната батерия трябва да се зареди напълно.

За възможно по-дълга продължителност на живот акумулаторната батерия трябва да се изважда от уреда след зареждане.

При съхранение на акумулаторната батерия за повече от 30 дни: съхранявайте акумулаторната батерия при температура под 27°C и на сухо място.

Съхранявайте батерията при състояние на заряда от 30%-50%. Зареждайте акумулаторната батерия на всеки 6 месеца.

## 1.9 Превоз на литиево-йонни акумулаторни батерии

Литиево-йонните акумулаторни батерии са предмет на законовите разпоредби за превоз на опасни товари.

Превозът на тези акумулаторни батерии трябва да се извършва в съответствие с местните, националните и международните разпоредби и регламенти.

- Потребителите могат да превозват тези акумулаторни батерии по пътя без допълнителни изисквания.
- Превозът на литиево-йонни батерии от транспортни компании е предмет на законовите разпоредбите за превоз на опасни товари. Подготовката на превоза и самият превоз трябва да се извършват само от обучени лица. Целият процес трябва да е под професионален надзор.

Спазвайте следните изисквания при превоз на акумулаторни батерии:






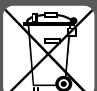






- Уверете се, че контактите са защитени и изолирани, за да се избегне късо съединение.
- Уверете се, че няма опасност от разместване на акумулаторната батерия в опаковката.
- Не превозвайте повредени акумулаторни батерии или такива с течове.

## 1.10 Поддръжка

Да се използват само аксесоари на Milwaukee и резервни части на. Елементи, чията подмяна не е описана, да се дадат за подмяна в сервиз на Milwaukee (вижте брошурата „Гаранция и адреси на сервизи“).

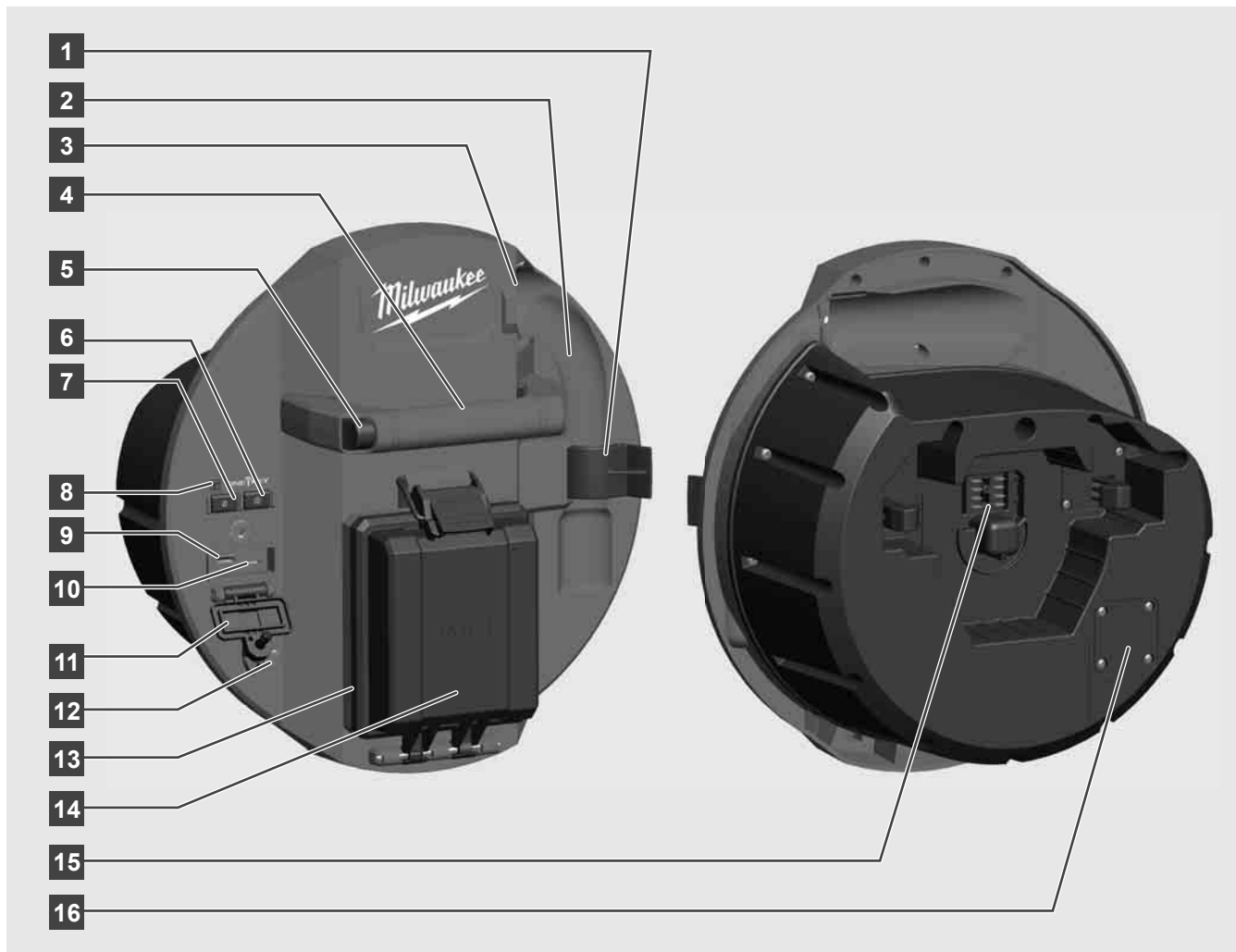
При необходимост можете да поискате схема на елементите на уреда при посочване на типа устройство и шестцифрения номер на табелката за технически данни от Вашия сервиз или директно на Techtronic Industries GmbH, Max-Eyth-Straße 10, 71364 Winnenden, Германия.

## 1.11 Символи

	ВНИМАНИЕ! ПРЕДУПРЕЖДЕНИЕ! ОПАСНОСТ!
	Преди започване на каквито е да е работи по уреда извадете акумулаторната батерия.
	Преди пускане на уреда в действие моля, прочетете внимателно инструкцията за използване.
	Носете предпазни ръкавици!
	При работа с уреда винаги носете предпазни очила.
	Електрическите уреди, батерии/акумулаторни батерии не трябва да се изхвърлят заедно с битовите отпадъци. Електрическите уреди и акумулаторни батерии трябва да се събират отделно и да се предават на службите за рециклиране на отпадъците според изискванията за опазване на околната среда. Информирайте се при местните служби или при местните специализирани търговци относно местата за събиране и центрoвете за рециклиране на отпадъци.
	Напрежение
	Постоянен ток
	Европейски знак за съответствие
	Британски знак за съответствие
	Украински знак за съответствие
	Евро-азиатски знак за съответствие

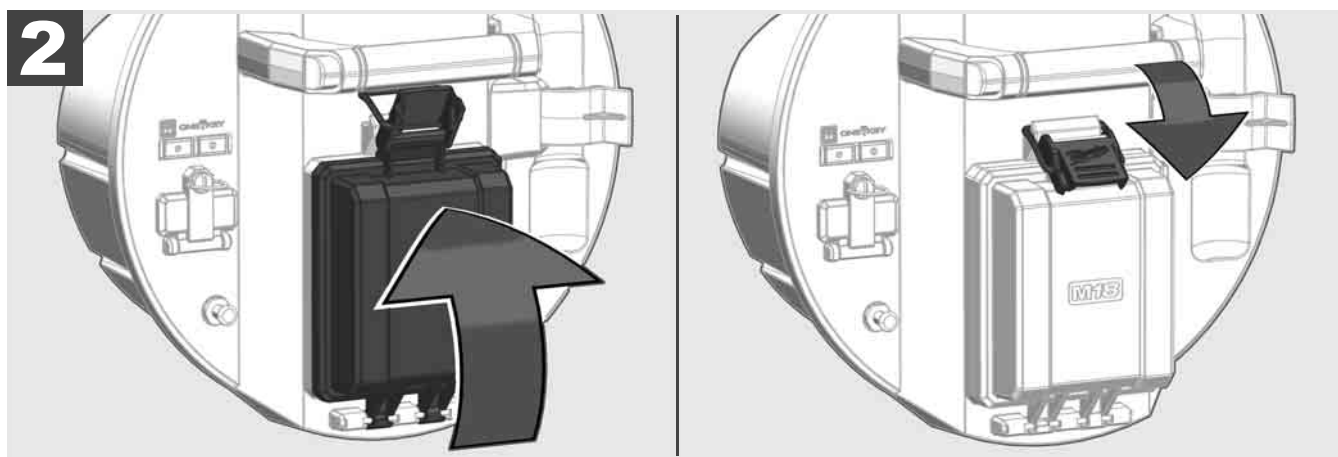
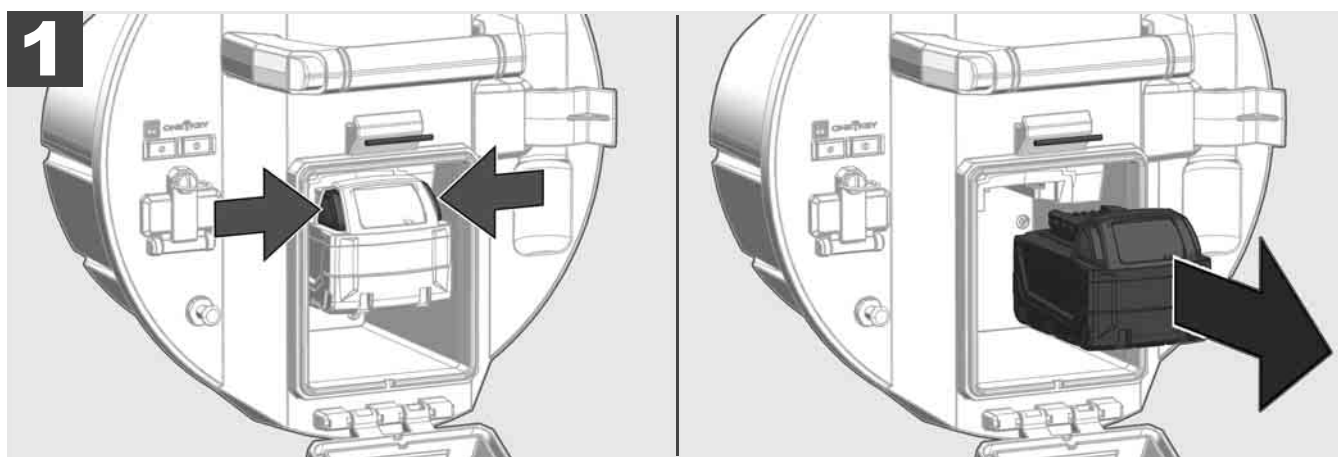
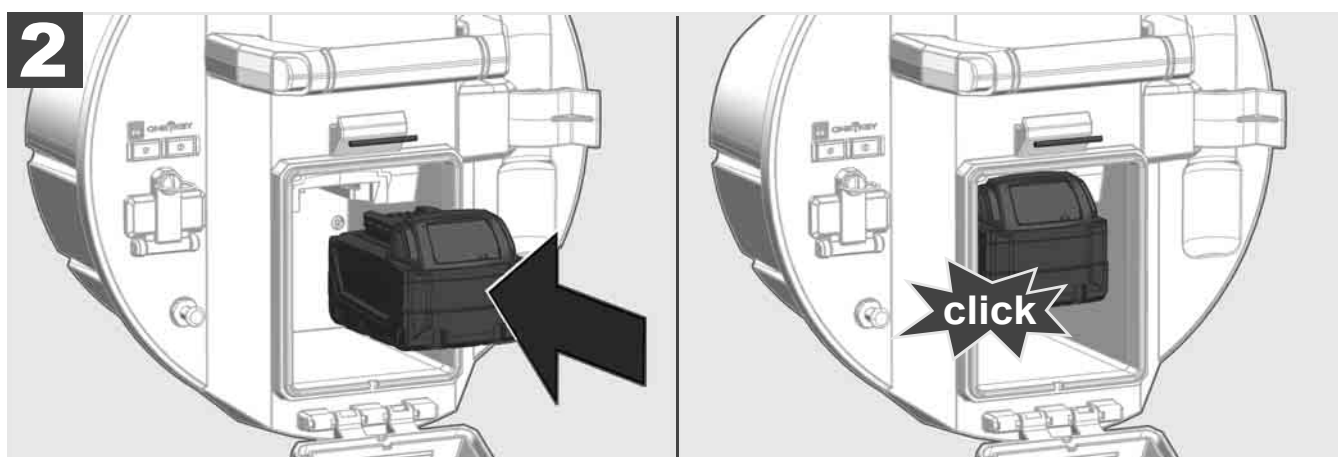
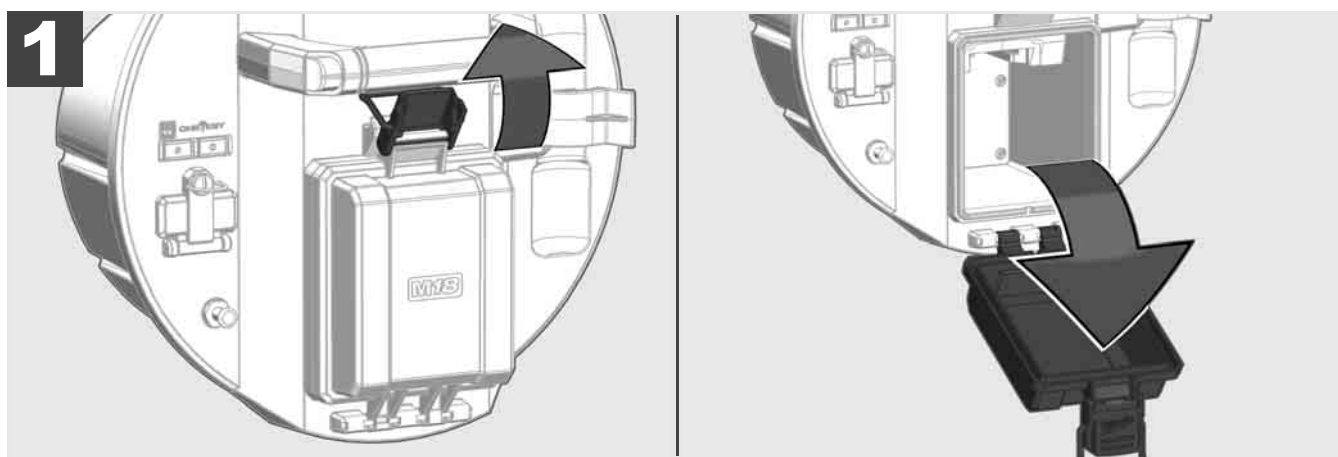
## 2 SMART HUB M18 SISH

### 2.1 Преглед Smart Hub M18 SISH



- 1 Скоба за фиксиране на пружината – За фиксиране на пружината и камерата по време на транспорта.
- 2 Гнездо за пружината – Задръжа пружината и камерата неподвижни на място по време на транспортиране.
- 3 Кабелопровод – Преди фиксирането на Smart Hub прокарайте пружината и кабела през кабелопровода.
- 4 Ръкохватка
- 5 Бутон за деблокиране – Натиснете бутона, за да освободите Smart Hub от макарата за инспектиране на тръби.
- 6 Главен прекъсвач – Натиснете еднократно за кратко, за да включите уреда; задръжте натиснат, за да изключите уреда.
- 7 Бутон за нулиране на дължината на кабела – Настройва дължината на развития кабел на нула.
- 8 LED индикатор ONE KEY
- 9 USB-A порт – За директното запамяване на видеа и фотографии, както и за актуализации на фърмуера.
- 10 USB-C порт – Опционална връзка за храняване и данни за свързване на безжичния монитор M18 SIM със Smart Hub.
- 11 Капак на USB портовете – Непромокаем капак, предпазващ USB връзките от прах и влага.
- 12 Заземяващ прът – За заземяване на Smart Hub при проследяване на кабела.
- 13 Капак на батерията – Непромокаем капак, предпазващ батерията от прах и влага.
- 14 Отделение за батерията – За батерия M18™
- 15 Връзка за свързването на Smart Hub и макарата за инспектиране на тръби.
- 16 Тестов конектор за камерата – За отстраняване на грешки при проблеми с главата на камерата

## 2.2 Поставяне и изваждане на батерията



## 2.3 Проверка на заряда на батерията



78-100 %



55-77 %



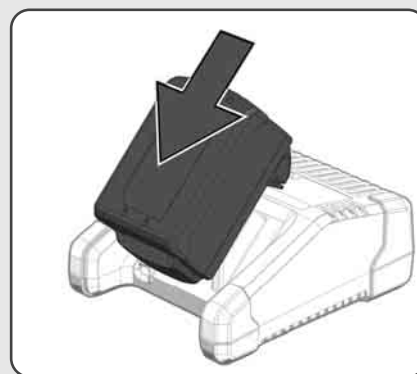
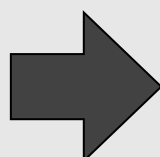
33-54 %

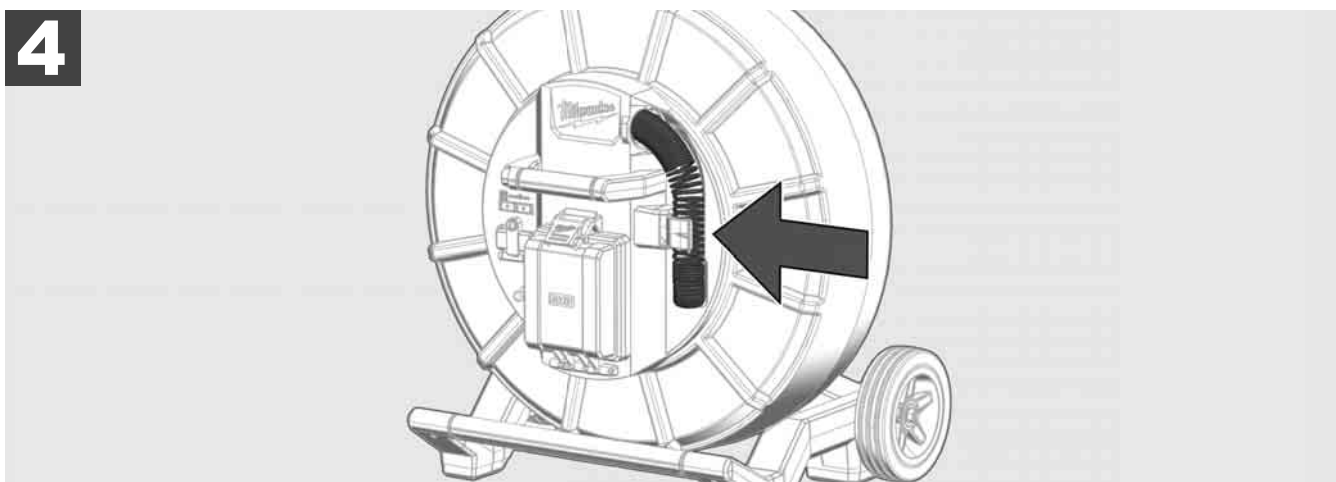
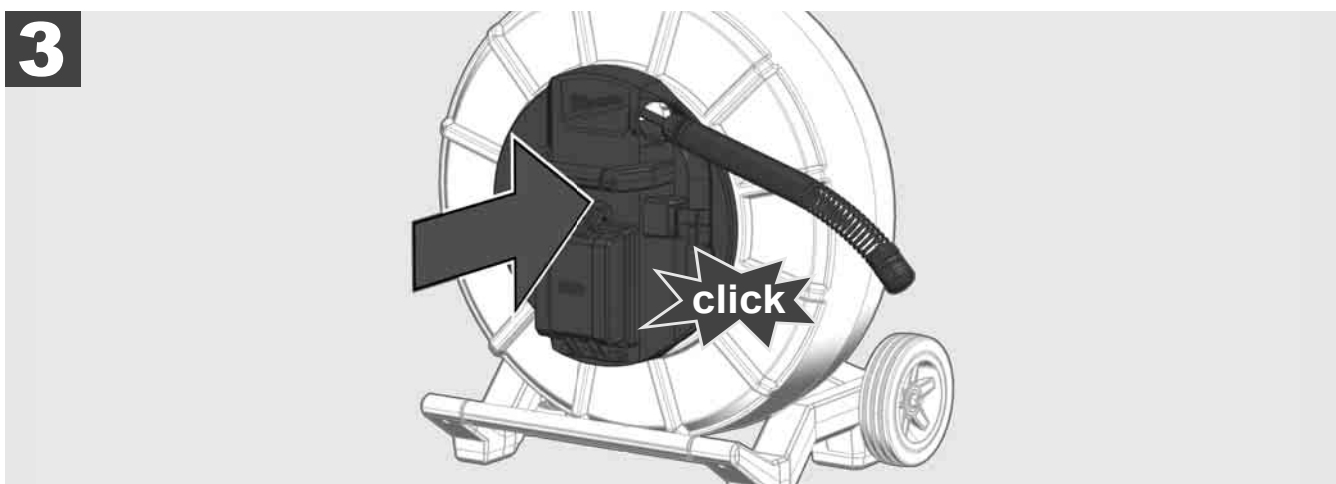
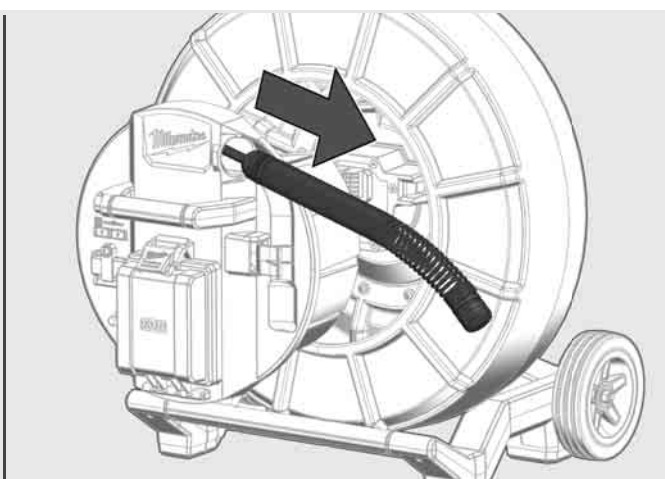
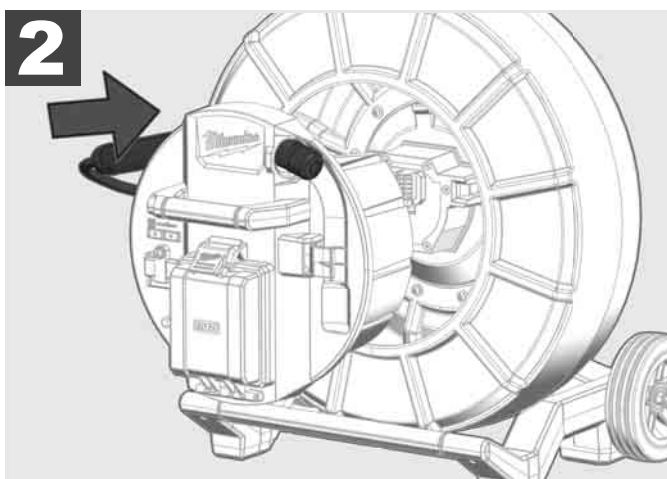
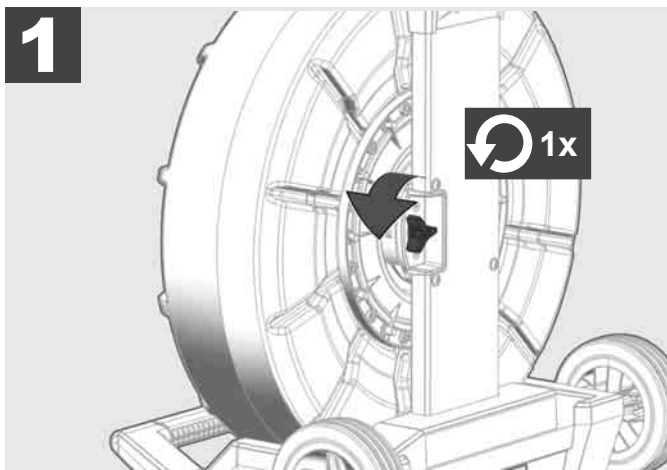


10-32 %



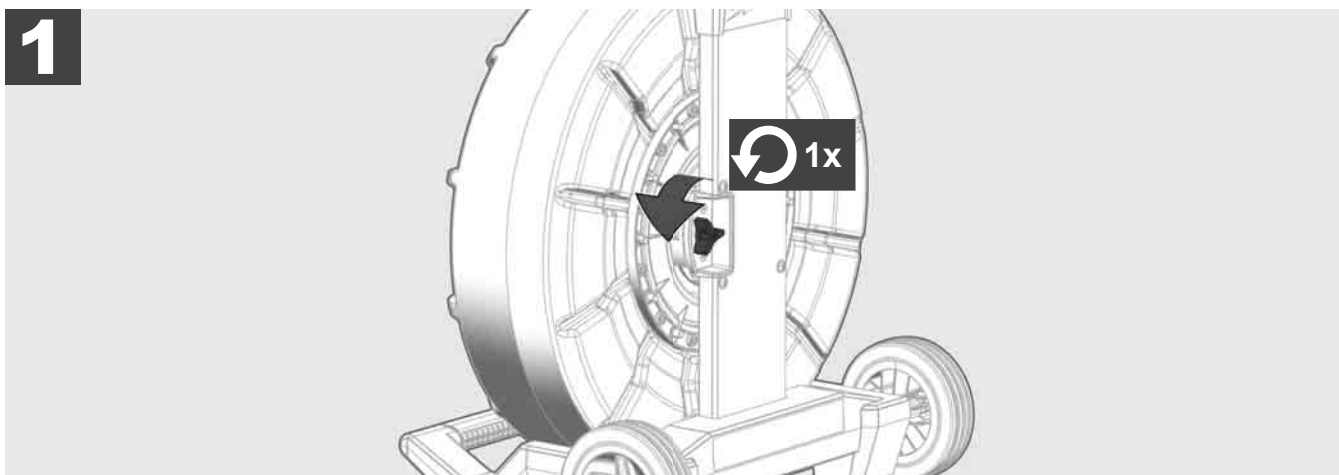
< 10 %



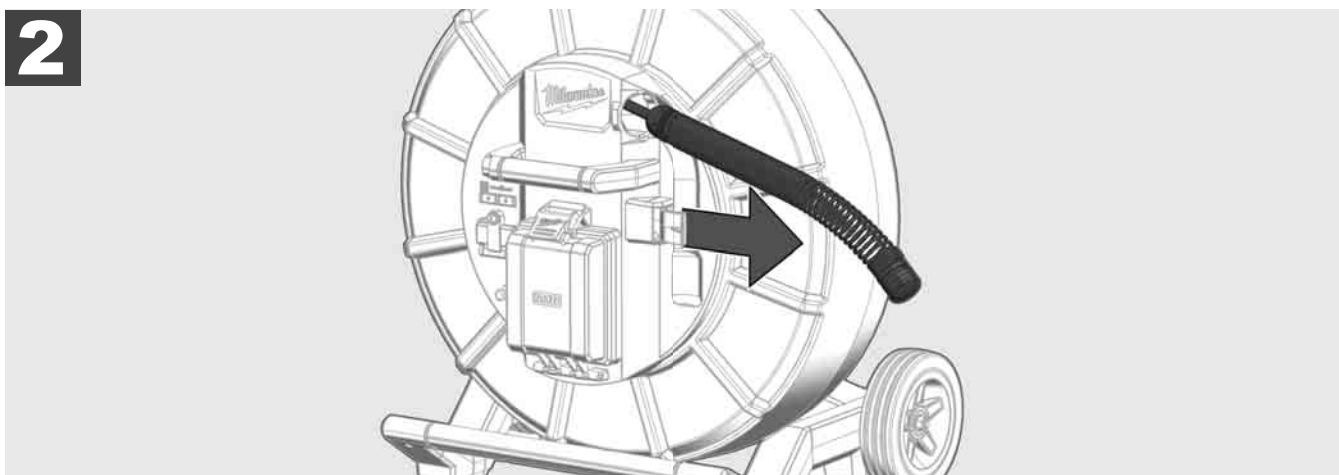




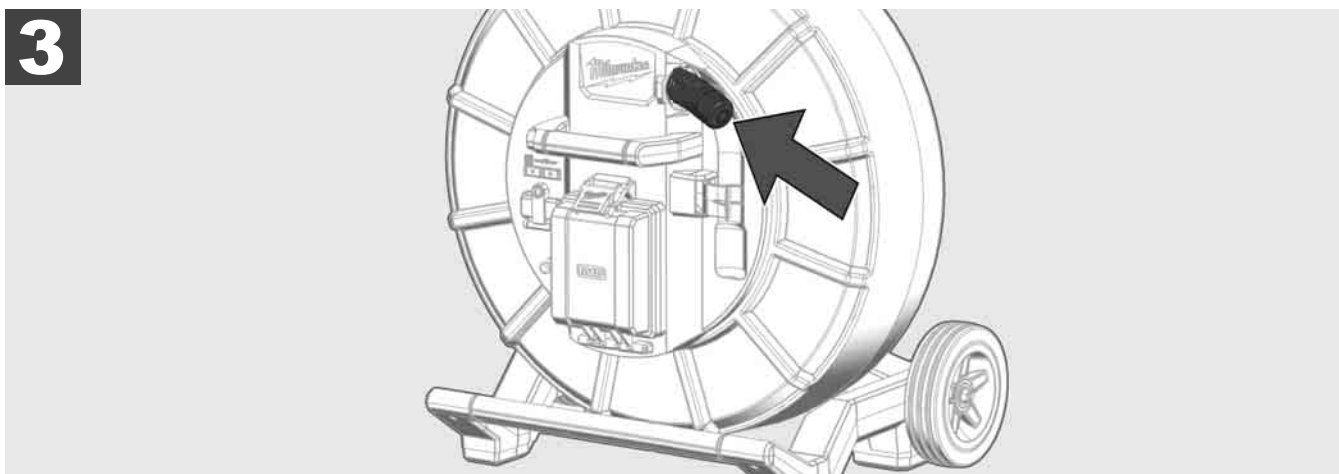
**1**



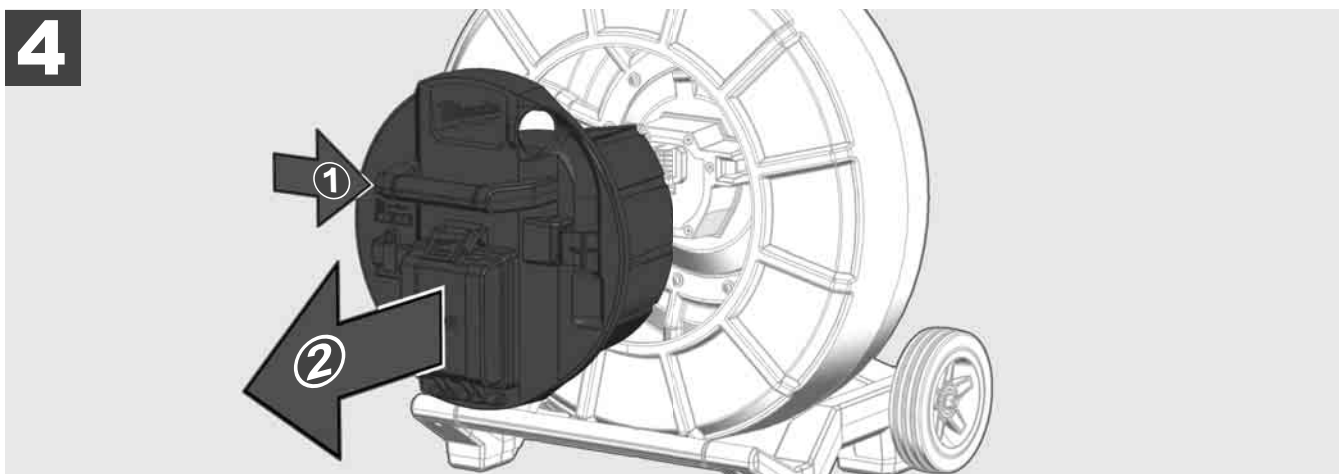
**2**



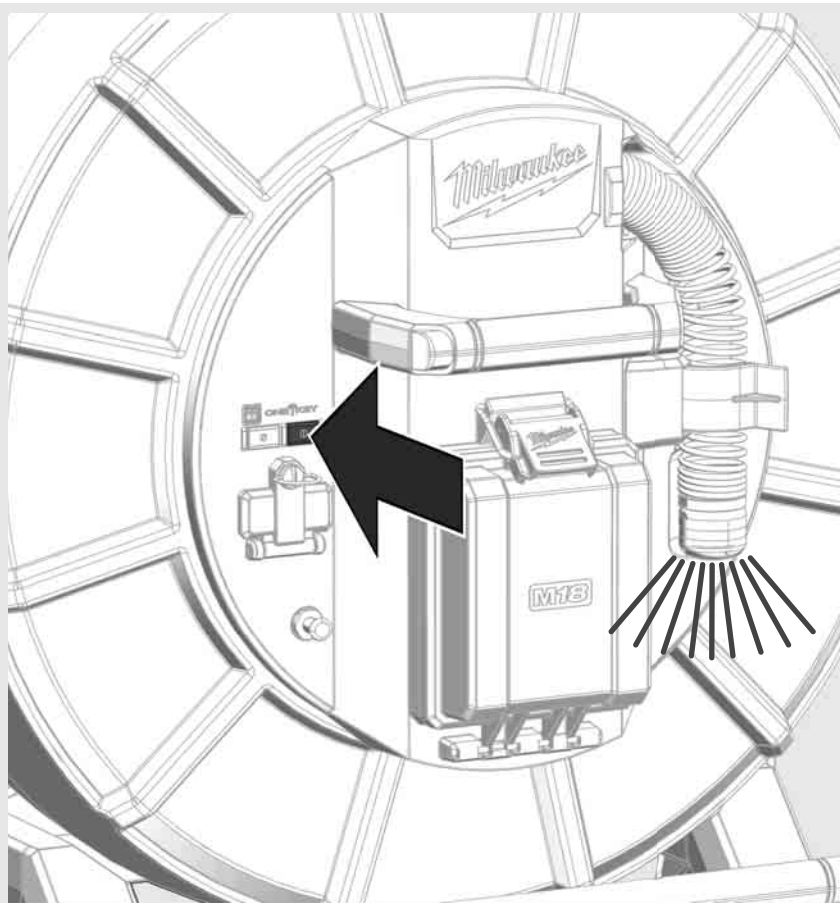
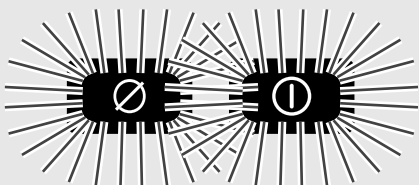
**3**



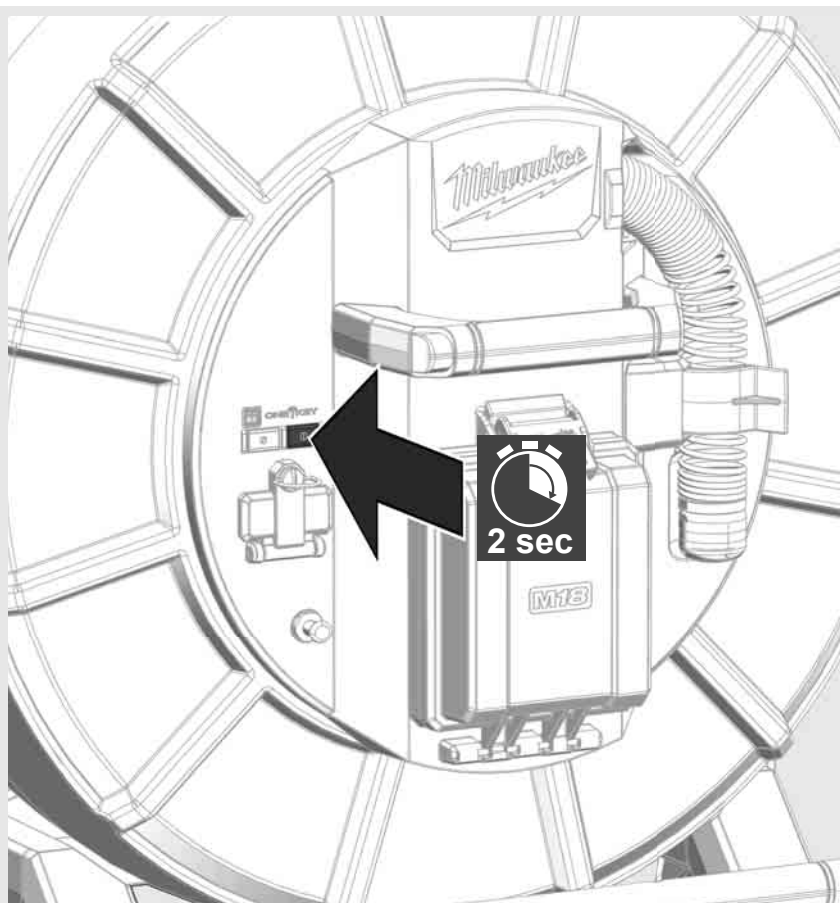
**4**



**ON**



**OFF**





## 2.7 Свързване на монитора

За да промените настройките на СИСТЕМАТА ЗА ИНСПЕКТИРАНЕ НА ТРЪБИ, да управлявате нейните настройки и да видите заснетите с камерата снимки и видеа, е необходимо външно изобразяващо устройство.

Външното изобразяващо устройство не е включено в обхвата на доставката на СИСТЕМАТА ЗА ИНСПЕКТИРАНЕ НА ТРЪБИ и трябва да се закупи отделно.

На разположение са следните опции:

- БЕЗЖИЧЕН МОНИТОР MILWAUKEE M18 SIM

- Таблет или смартфон с ПРИЛОЖЕНИЕТО ЗА ИНСПЕКТИРАНЕ НА ТРЪБИ ОТ MILWAUKEE

БЕЗЖИЧНИЯТ МОНИТОР се свързва със СИСТЕМАТА ЗА ИНСПЕКТИРАНЕ НА ТРЪБИ чрез WLAN или USB порт и веднага е в готовност за работа. При използването на таблет или смартфон първо инсталирайте ПРИЛОЖЕНИЕ ЗА ИНСПЕКТИРАНЕ НА ТРЪБИ ОТ MILWAUKEE на съответното устройство.

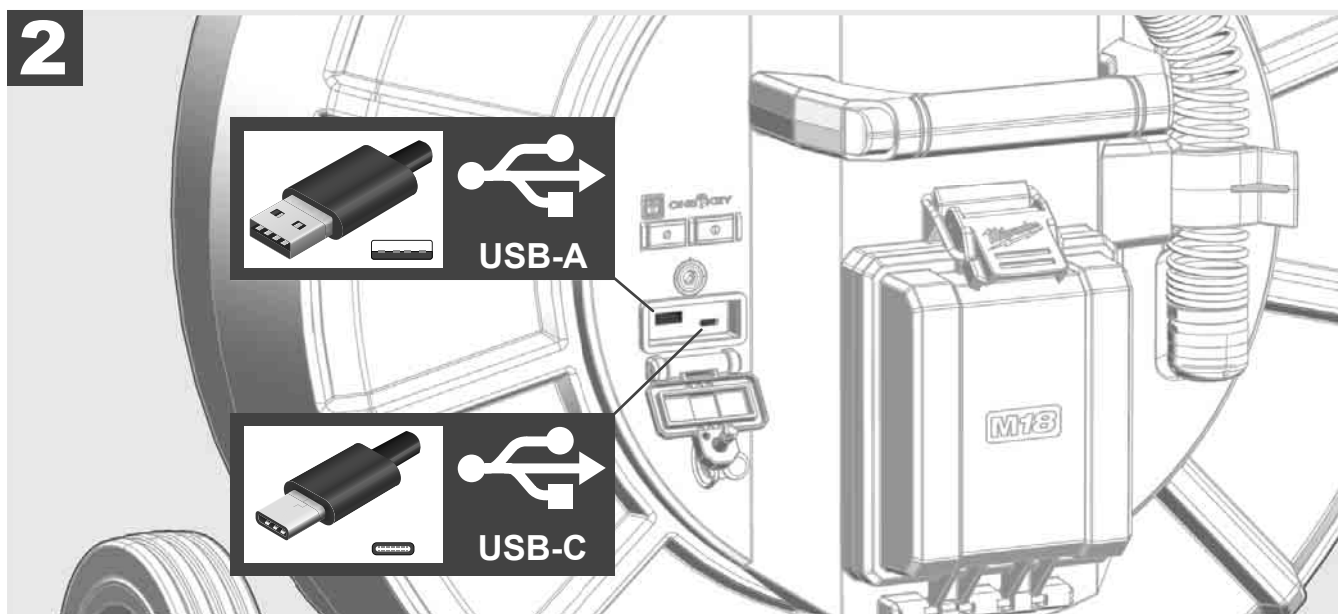
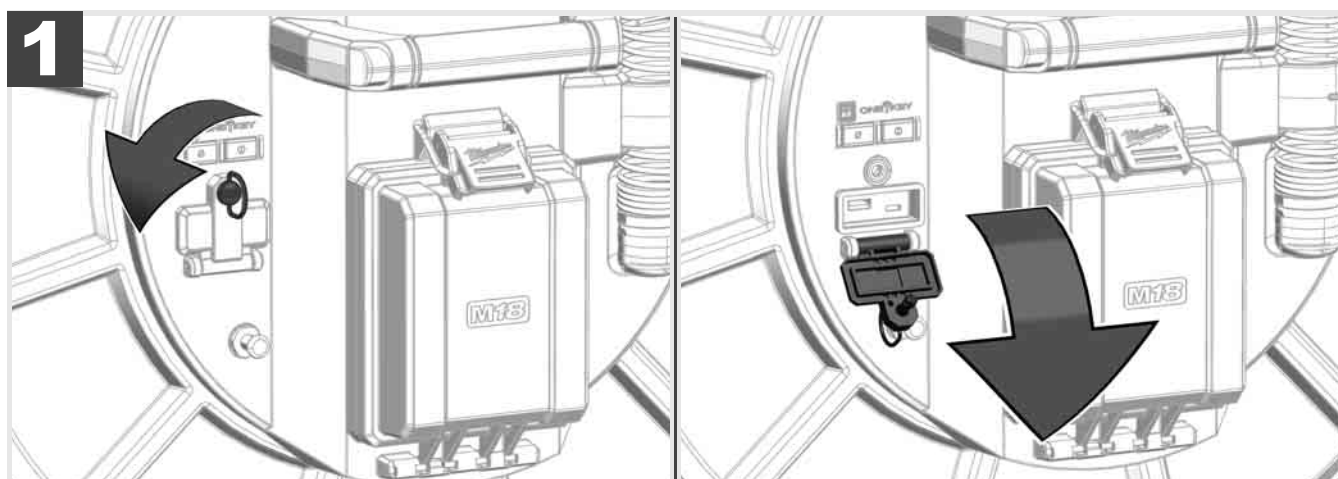
### **ПЪРОВНАЧАЛНА УПОТРЕБА С БЕЗЖИЧЕН МОНИТОР M18 SIM:**

1. Включете SMART HUB и БЕЗЖИЧНИЯ МОНИТОР.
2. БЕЗЖИЧНИЯТ МОНИТОР се свързва автоматично с SMART HUB в рамките на 25 секунди.

\*За кабелна връзка свържете монитора към SMART HUB чрез USB-C кабел.

### **ПЪРОВНАЧАЛНА УПОТРЕБА СЪС СМАРТФОН ИЛИ ТАБЛЕТ:**

1. Изтеглете ПРИЛОЖЕНИЕТО ЗА ИНСПЕКТИРАНЕ НА ТРЪБИ ОТ MILWAUKEE и го инсталирайте.
2. Включете SMART HUB и изобразяващото устройство.
3. Изберете опцията Настройки > WLAN.
4. Изберете опцията MTCAM\_[LAST 9 DIGITS OF HUB SERIAL #].
5. Въведете парола: 29702000
6. Стартирайте ПРИЛОЖЕНИЕТО ЗА ИНСПЕКТИРАНЕ НА ТРЪБИ ОТ MILWAUKEE.

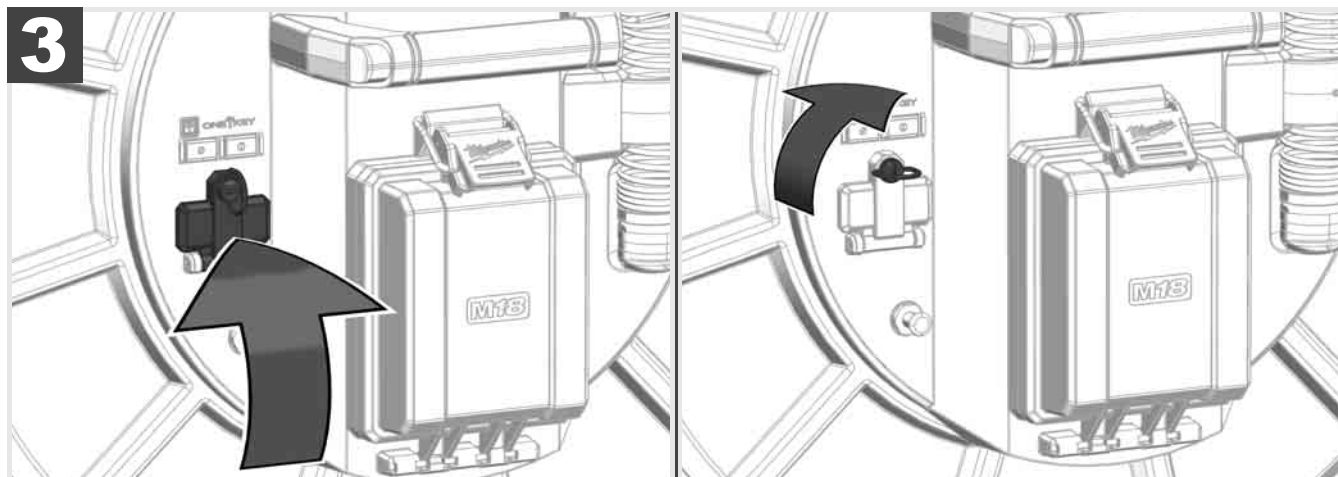


### USB-A

- Порт за нормална употреба. Позволява директния запис на видео и снимкови файлове, респ. предаването им от вътрешното устройство на SMART HUB.
- Дава възможност за извършване на актуализации на фърмуера на SMART HUB.

### USB-C

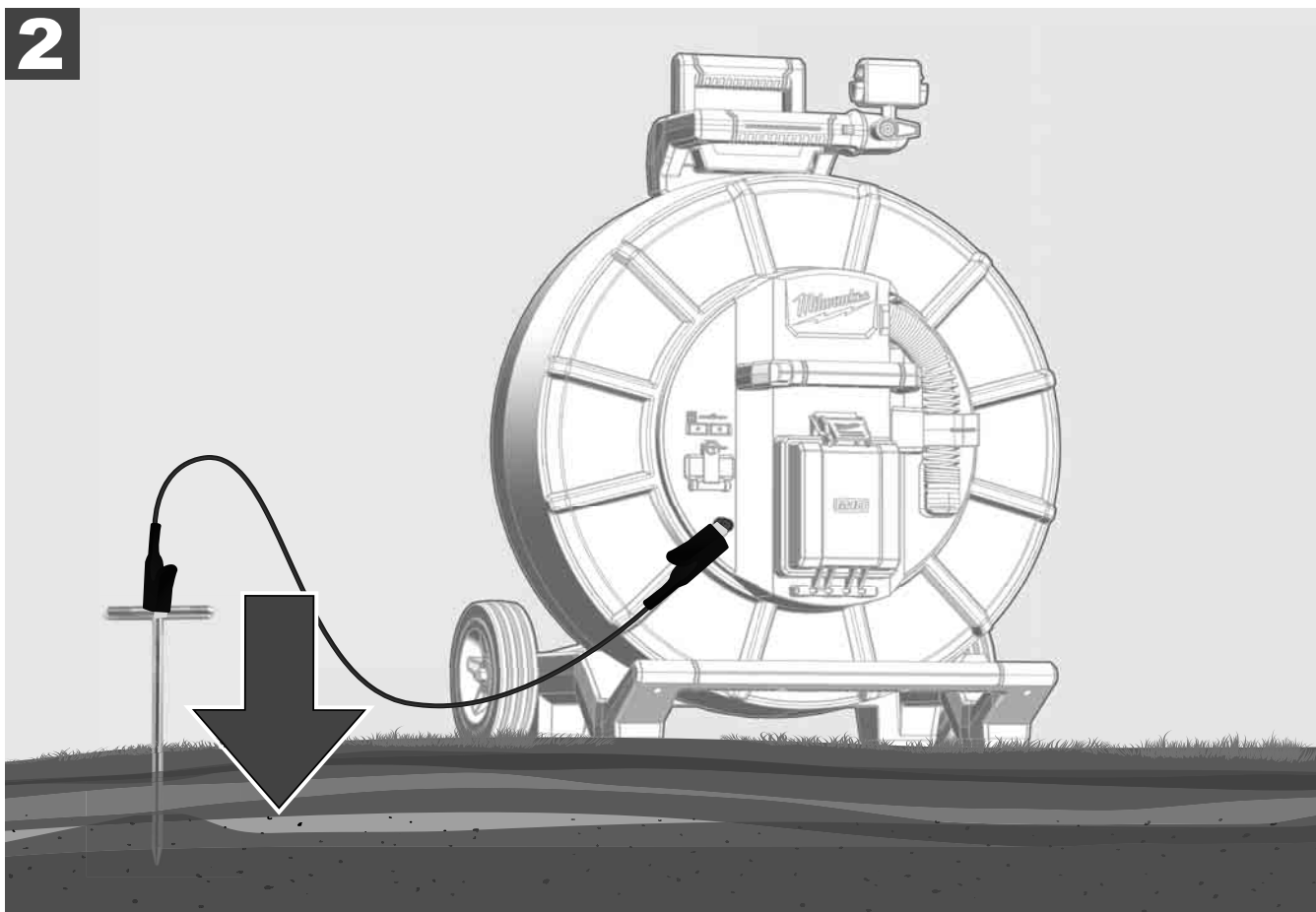
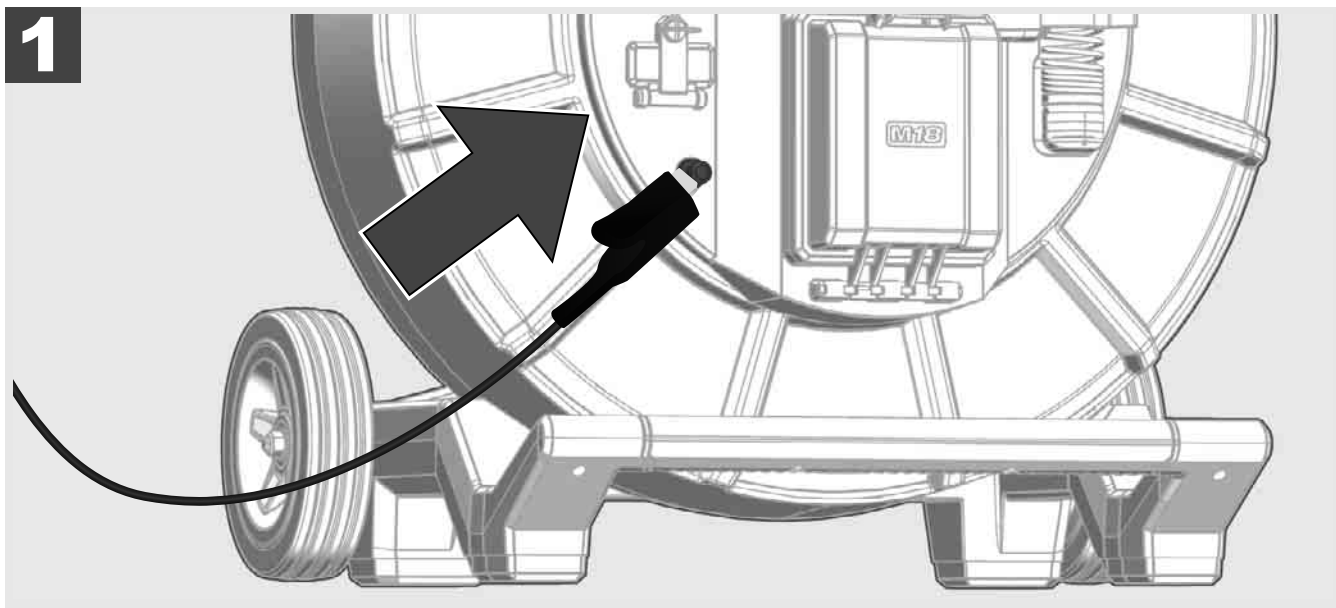
- Дава възможност за свързване между безжичния монитор M18 SIM и SMART HUB без WLAN връзка. Електрозахранване на SMART HUB през безжичния монитор M18 SIM или обратно, когато батерията не е заредена.



## 2.9 Заземяващ прът



Заземяващият прът трябва да се използва винаги, когато кабелът се проследява посредством функцията ПРОСЛЕДЯВАНЕ НА ЛИНИЯ. Smart Hub трябва да бъде заземен, за да се затвори токовият контур и да се изпраща добър локализиращ сигнал. Използвайте включения в доставката заземителен кабел заедно със заземяващия прът за заземяване на SMART HUB.

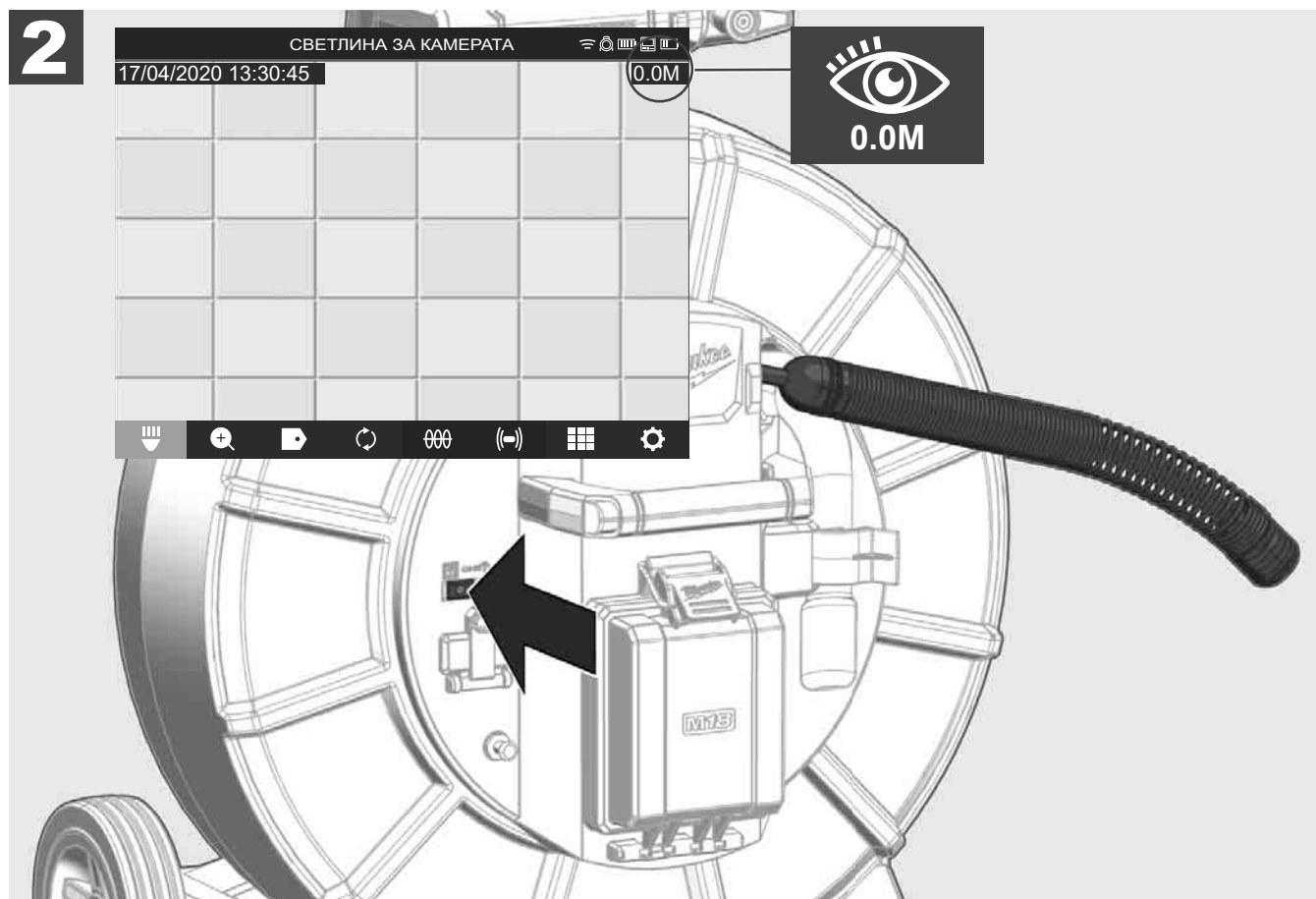
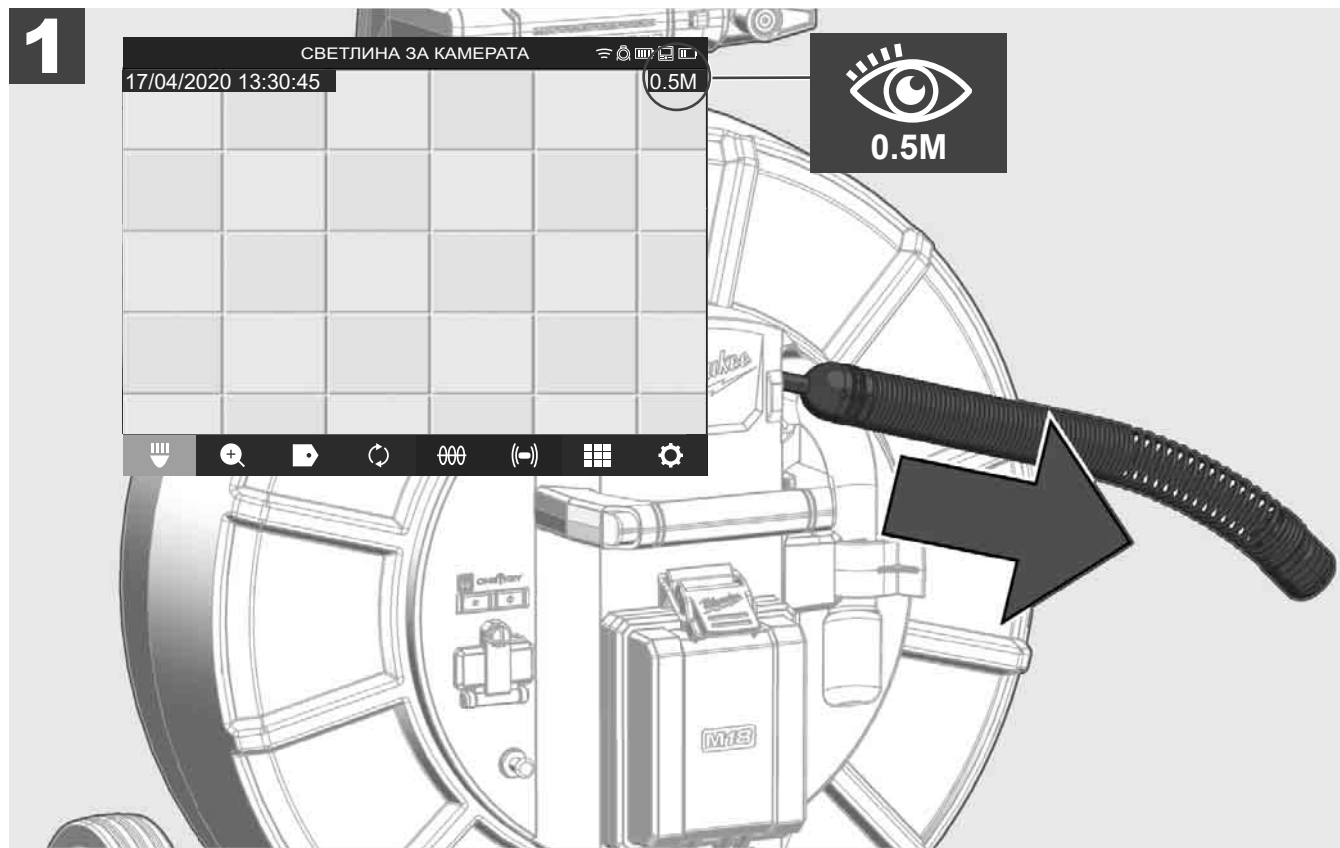


## 2.10 Нулиране на брояча на дължините



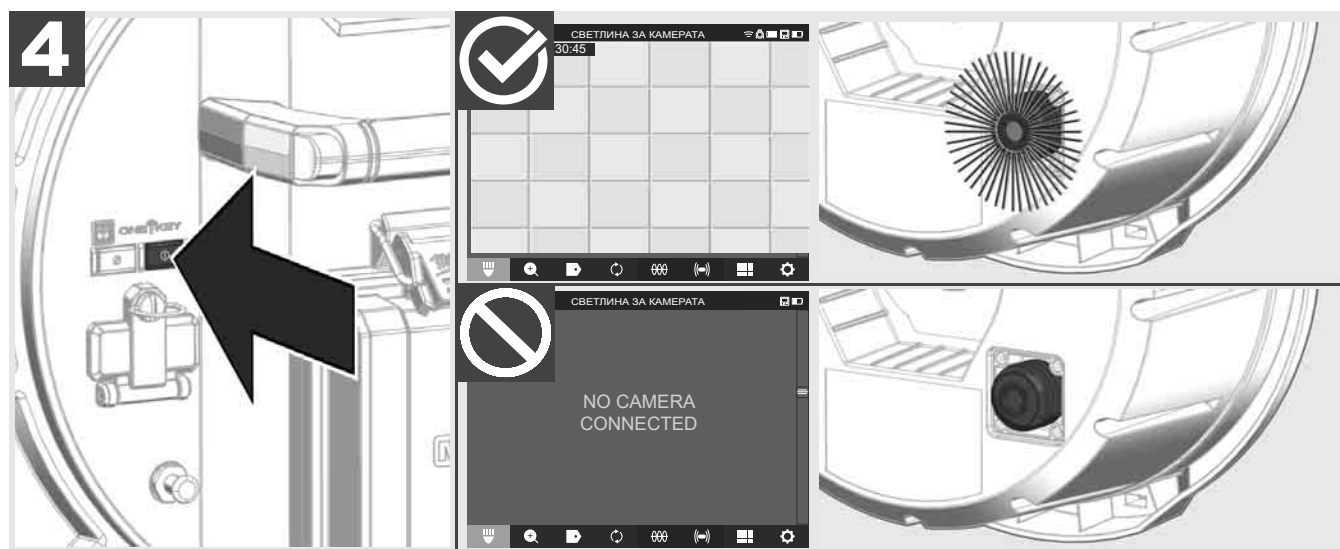
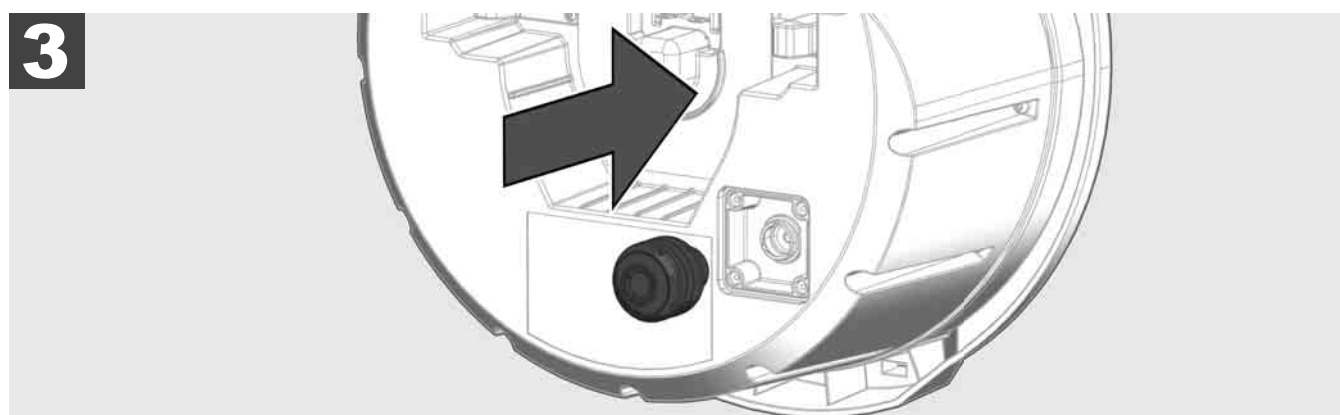
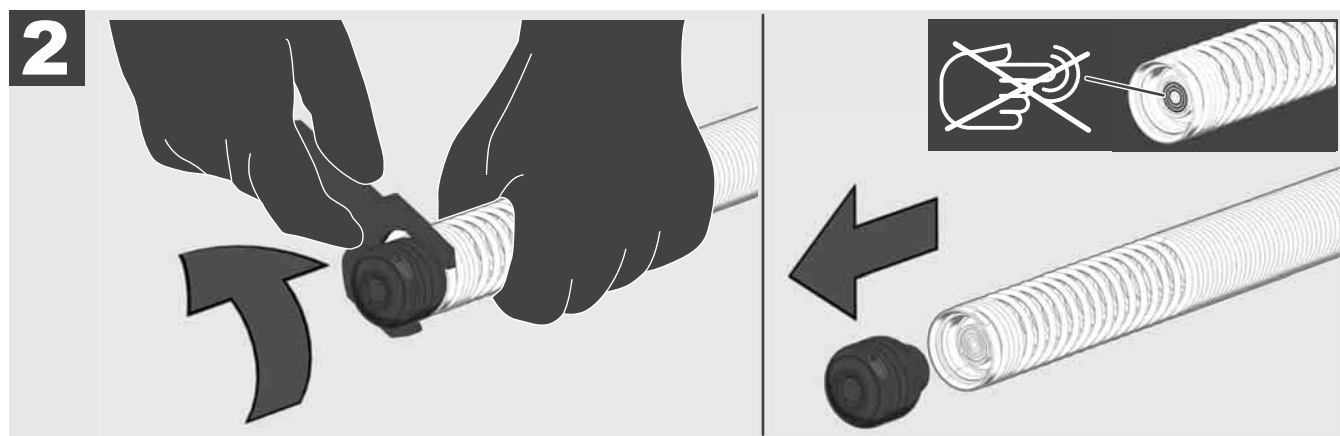
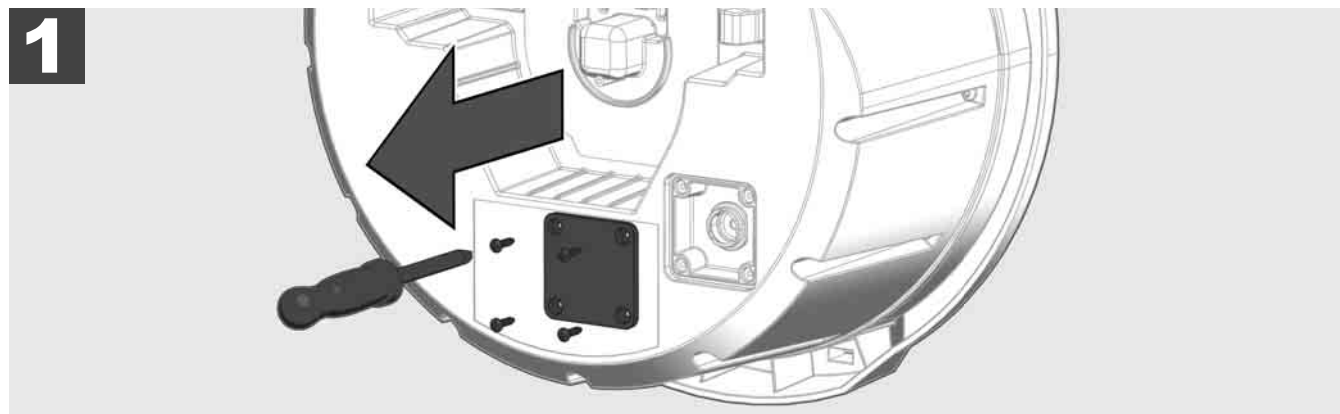
При развиване на МАКАРАТА ЗА ИНСПЕКТИРАНЕ НА ТРЪБИ дължината на развития кабел се показва на лентата за статуса на безжичния монитор M18 SIM.

За да нулирате индикацията, натиснете бутона .




## 2.11 Тестов конектор за камерата

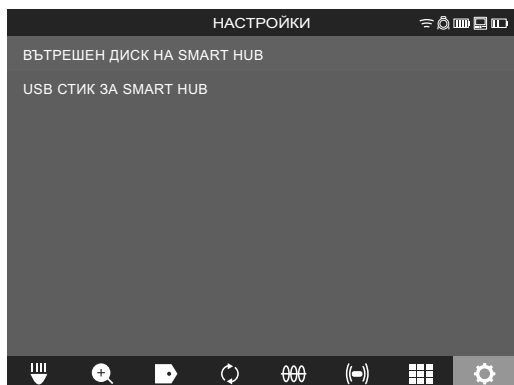
Ако са налице проблеми с главата на камерата, камерата може да бъде проверена чрез тестовия конектор.



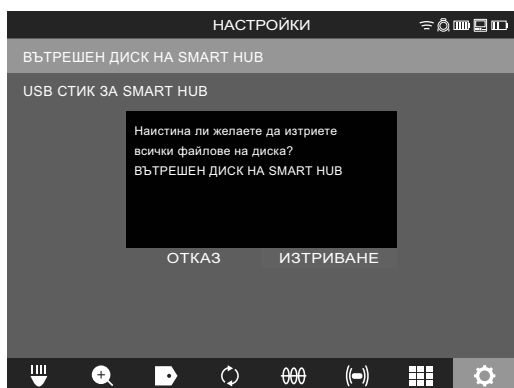
## 2.12 Форматиране на вътрешния диск и USB стика

С тази функция можете да форматирате вътрешния 500 GB диск на SMART HUB или USB стика. USB стиковите трябва да са форматирани във формат FAT32.

1. Изберете **НАСТРОЙКИ**  → **ФОРМАТИРАНЕ НА ПАМЕТ**
2. Изберете паметта.



3. Потвърдете съобщението на екрана.



Желаното устройство се форматира и системата се връща в меню **НАСТРОЙКИ**.

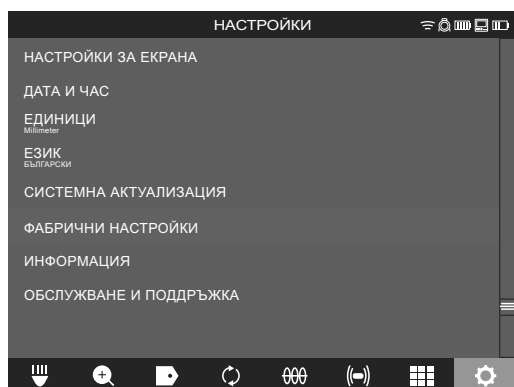
## 2.13 ФАБРИЧНИ НАСТРОЙКИ

Изборът на функцията за фабрични настройки връща SMART HUB M18 SISH към стойностите, настроени в завода.

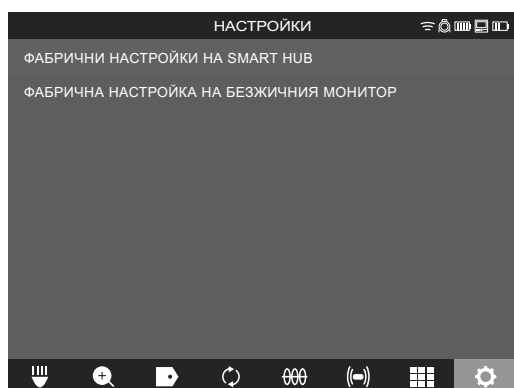
Връщат се следните настройки на SMART HUB M18 SISH:

- ЕТИКЕТИТЕ се изтриват.
- Настройките за видео и изображение се връщат на 1080 P.
- ИМЕТО НА ФИРМАТА се изтрива.
- ЧЕСТОТА НА СОНДАТА се връща към фабрична настройка.
- ПРОСЛЕДЯВАНЕТО НА ЛИНИЯ се връща към фабричната настройка.
- НАСТРОЙКИТЕ НА ЕКРАНА се връщат към фабричната настройка: нюанс, яркост, контраст, насищане.
- МЕРНИ ЕДИНИЦИ

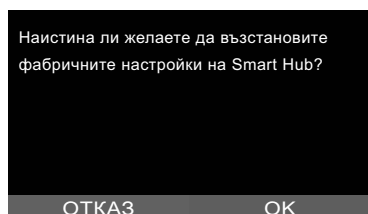
1. Изберете **НАСТРОЙКИ**  → **ФАБРИЧНИ НАСТРОЙКИ**



2. Изберете **ФАБРИЧНИ НАСТРОЙКИ** Smart Hub M18 SISH.



3. Прочетете и потвърдете съобщението за нулиране с ОК.



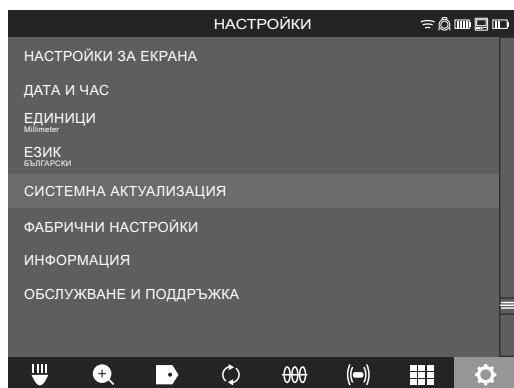
Връщането към фабрични настройки е приключило и системата се връща към подменю **ФАБРИЧНИ НАСТРОЙКИ**.

## 2.14 Актуализиране на системата

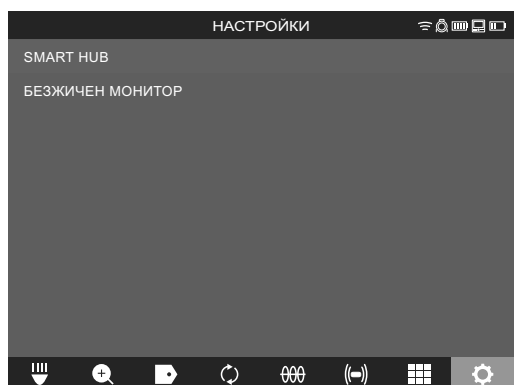
Преди актуализиране на системата отворете менюто **НАСТРОЙКИ** → **ИНФОРМАЦИЯ** и запишете текущата версия на фърмуера.

Актуализациите на фърмуера могат да се извършват или чрез безжичния монитор M18 SIM, или с таблет с приложение за инспектиране на тръби от Milwaukee®.

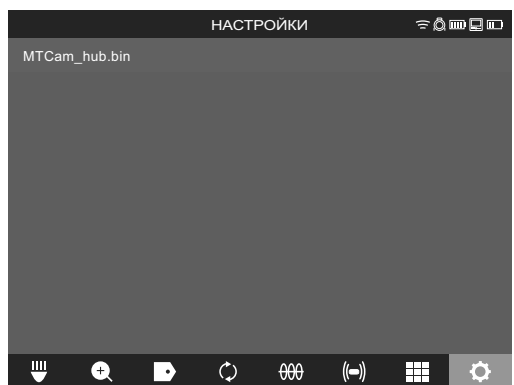
1. Включете SMART HUB M18 SISH и безжичния монитор M18SIM или таблета с приложението за инспектиране на тръби от Milwaukee®.
2. Уверете се, че безжичният монитор M18 SIM, респ. таблетът е свързан с SMART HUB M18 SISH чрез WLAN. Ако не е налице WLAN връзка, първо я създайте.
3. Вкарайте USB стика с актуализацията на фърмуера в USB-A порта на SMART HUB M18 SISH.
4. Изберете **НАСТРОЙКИ** → **СИСТЕМНА АКТУАЛИЗАЦИЯ**



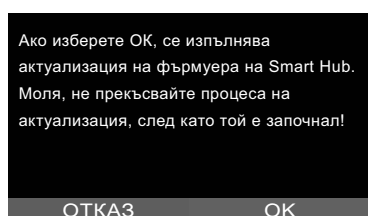
5. Изберете Smart Hub M18 SISH.



6. Името на файла на актуализацията се показва на екрана. Изберете **ИМЕ НА ФАЙЛ**, за да стартирате актуализацията.

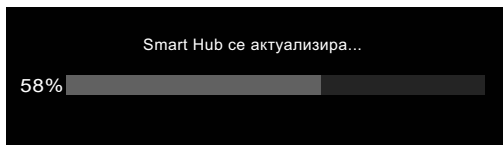


7. Прочетете и потвърдете предупредителното съобщение с ОК.

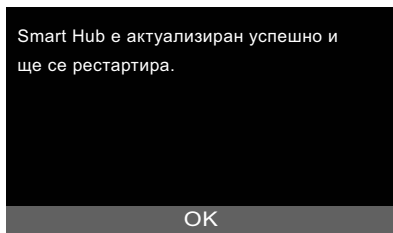




8. На лента за напредъка се показва ходът на актуализацията.



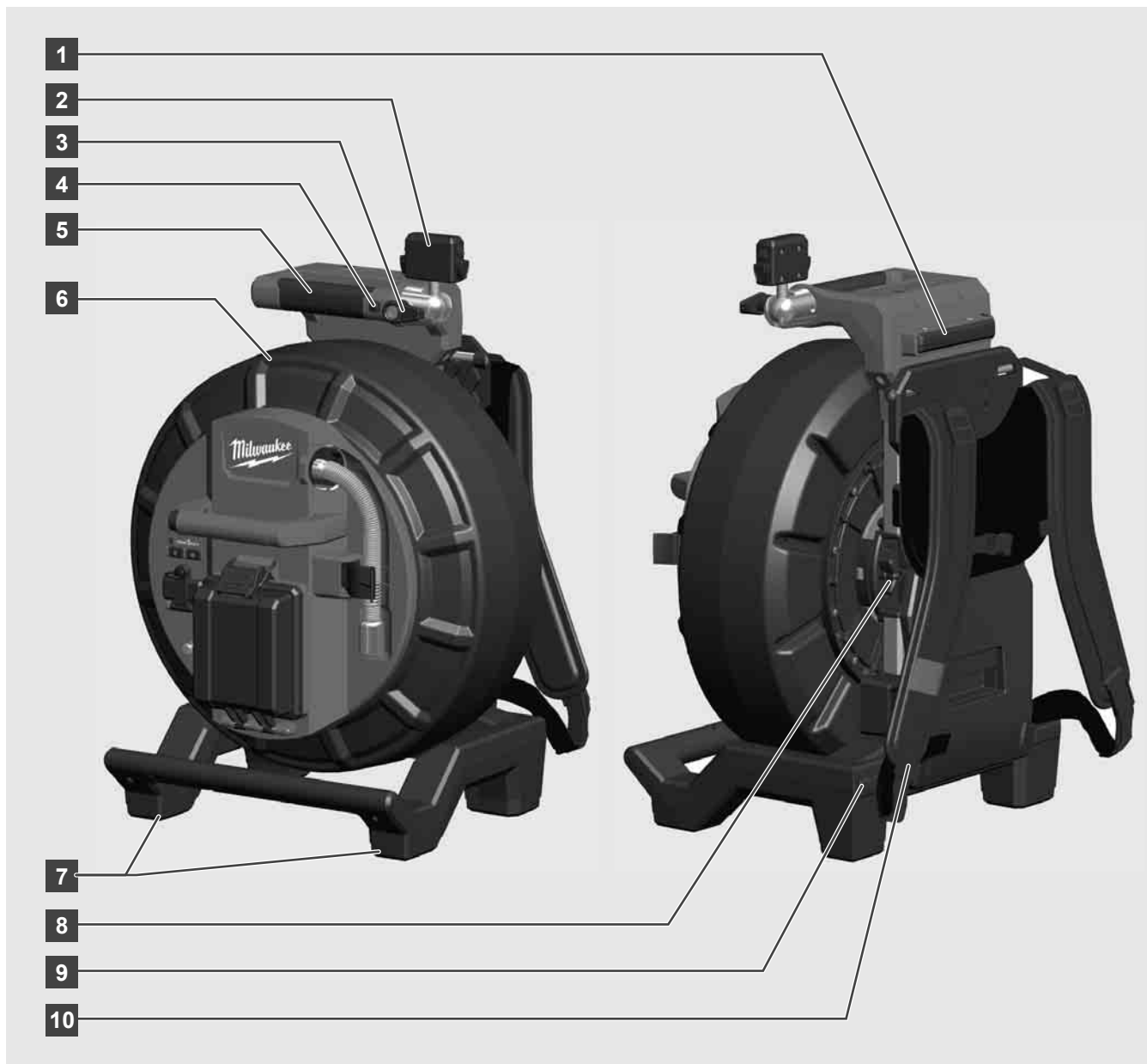
9. В края на актуализацията се показва съобщение, което трябва да бъде потвърдено. Изберете ОК, за да рестартирате системата.



10. Изберете **НАСТРОЙКИ** → **ИНФОРМАЦИЯ**, за да проверите дали версията на фърмуера е актуализирана.

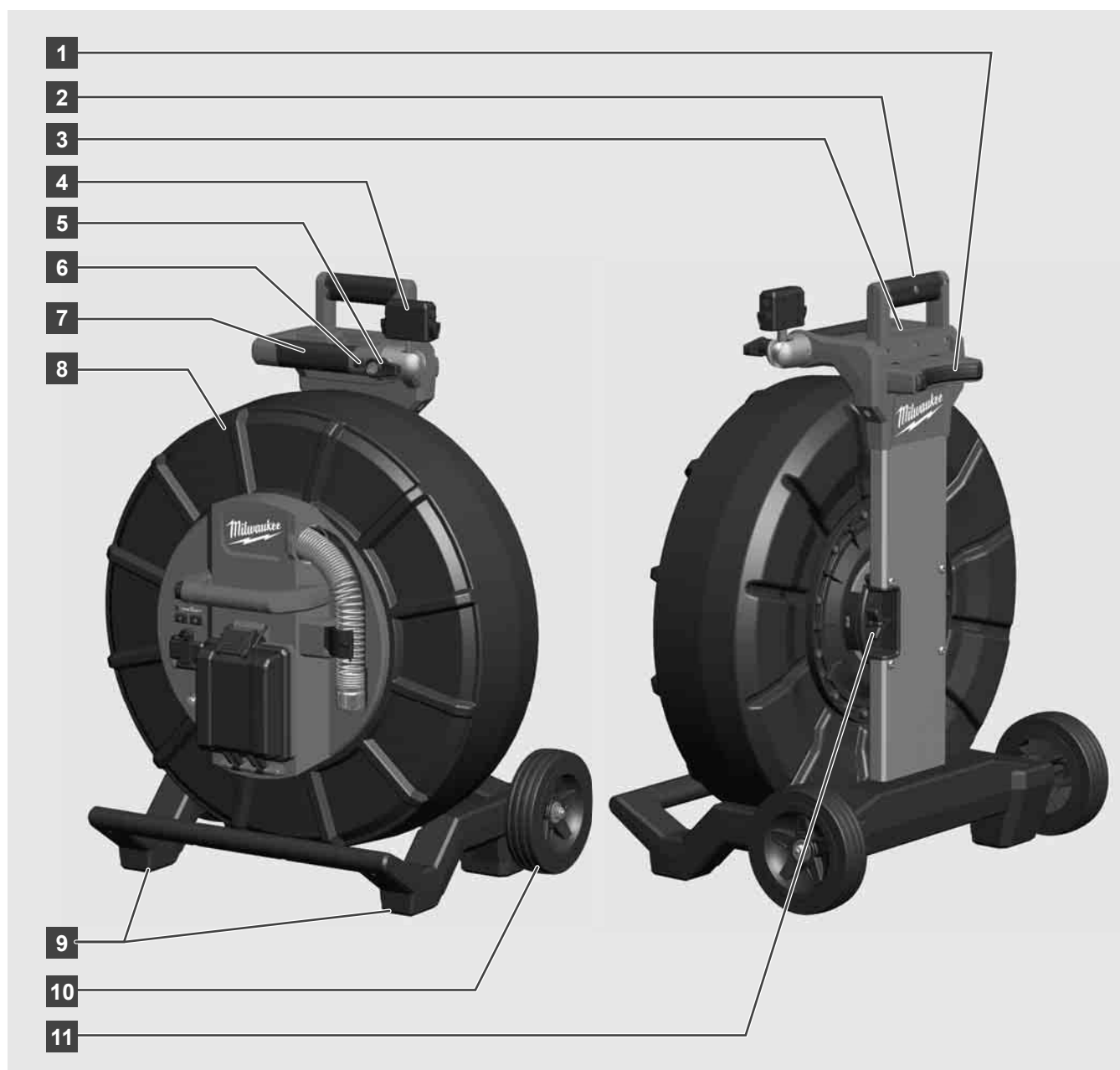
### 3 МАКАРИ ЗА ИНСПЕКТИРАНЕ НА ТРЪБИ

#### 3.1 Преглед на макара за инспектиране на тръби M18 SIC36



- 1 Опорен крак за хоризонтално използване
- 2 Безжичен монитор M18 SIM – поставка за таблет и връзка
- 3 Безжичен монитор M18 SIM – фиксиране със завъртане
- 4 Безжичен монитор M18 SIM – фиксиране под наклон
- 5 Griff
- 6 Кабелна макара с кабел
- 7 Опорен крак за вертикално използване
- 8 Спирачка на кабелната макара
- 9 Опорен крак за хоризонтално използване
- 10 Tragevorrichtung

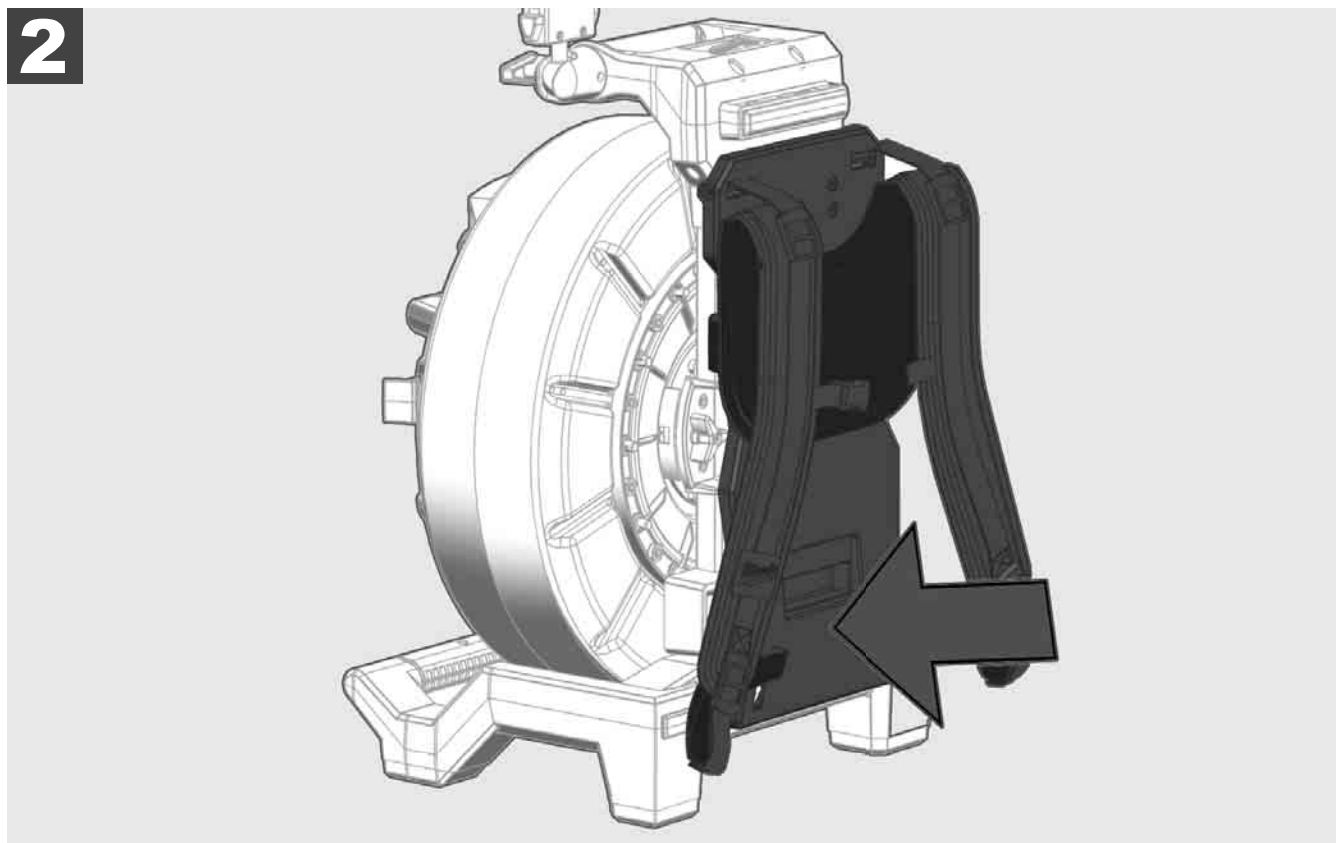
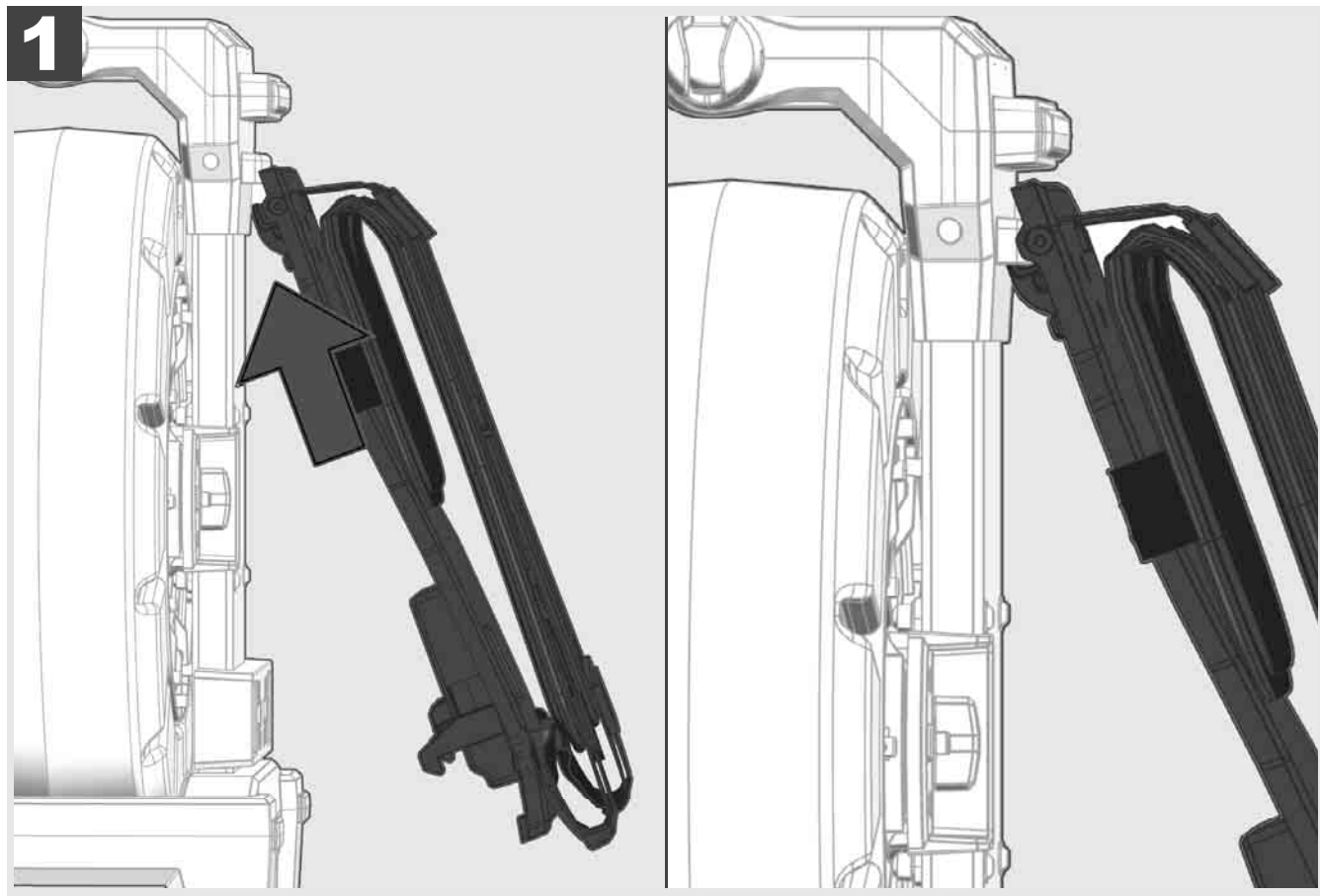
### 3.2 Преглед на макара за инспектиране на тръби M18 SIC60



- 1 Опорен крак за хоризонтално използване
- 2 Изтегляща се ръкохватка (в прибрано положение)
- 3 Бутон за блокиране и деблокиране на изтеглящата се ръкохватка
- 4 Безжичен монитор M18 SIM – Поставка / поставка за таблет и връзка
- 5 Безжичен монитор M18 SIM – заключване на завъртането
- 6 Безжичен монитор M18 SIM – заключване на наклона
- 7 Griff
- 8 Кабелна макара с кабел
- 9 Опорен крак за вертикално използване
- 10 Räder
- 11 Спирачка на кабелната макара

### 3.3 Инсталиране на приспособление за носене

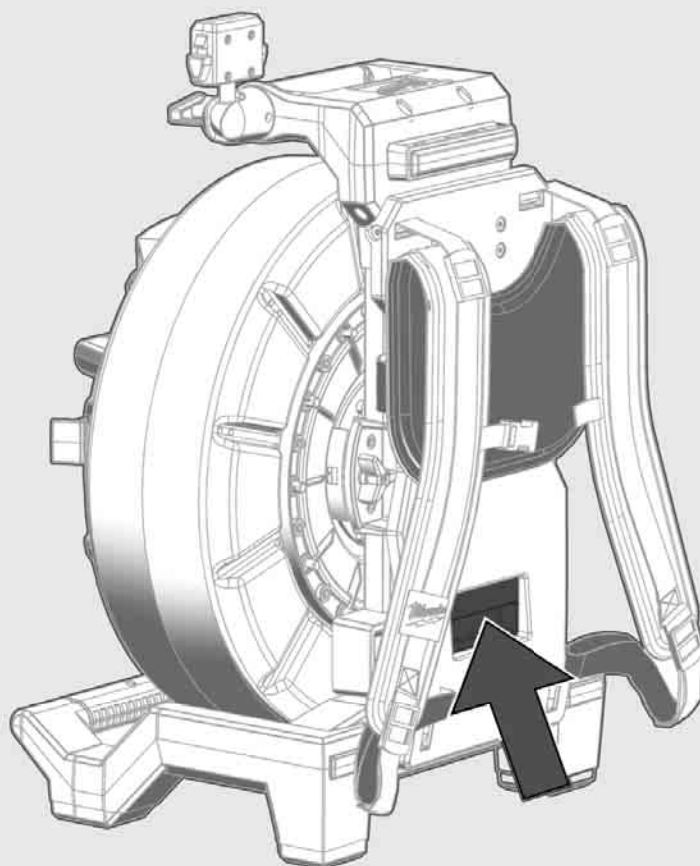
МАКАРАТА ЗА ИНСПЕКТИРАНЕ НА ТРЪБИ M18 SIC36 е оборудвана с приспособление за носене, с което макарата може да се носи като раница на гърба. Така малката макара може удобно да се транспортира до мястото на работа, което е особено практично при изкачване на стъпала или при използването на стълби.



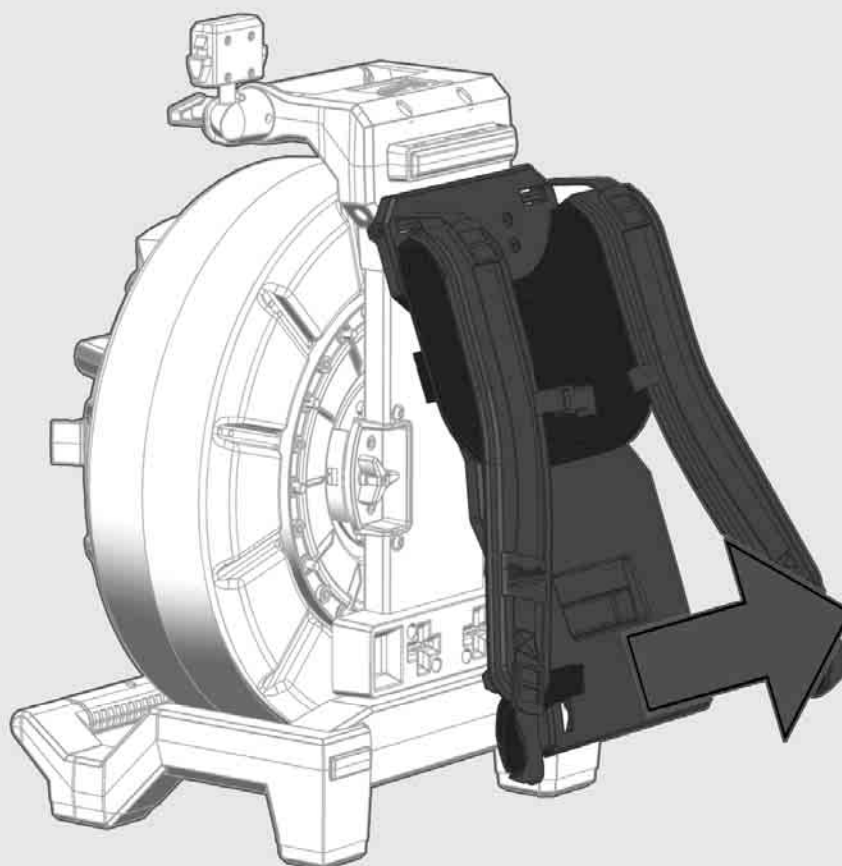
Окачете приспособлението за носене отгоре и с притискайте с длан, докато приспособлението за носене се фиксира. Дръпнете леко приспособлението за носене, за да се уверите, че е фиксирано.



1

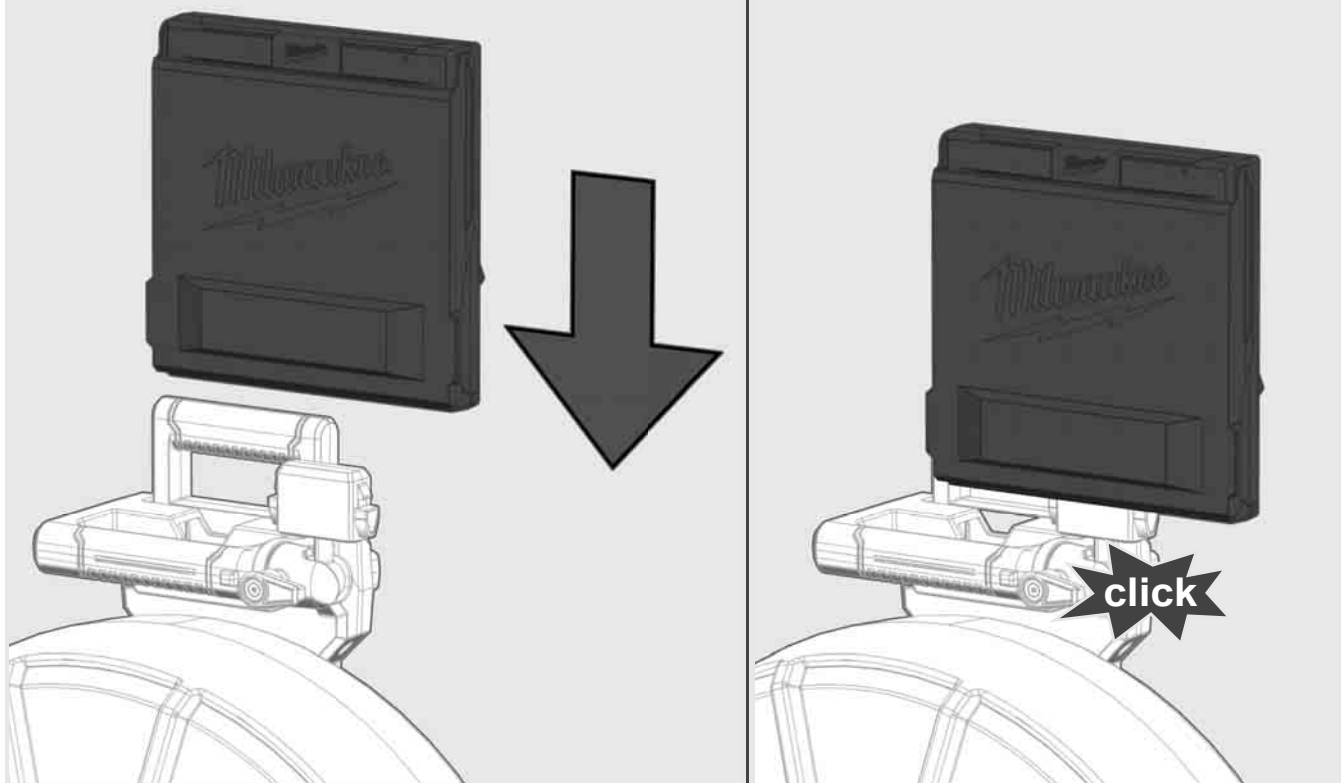


2

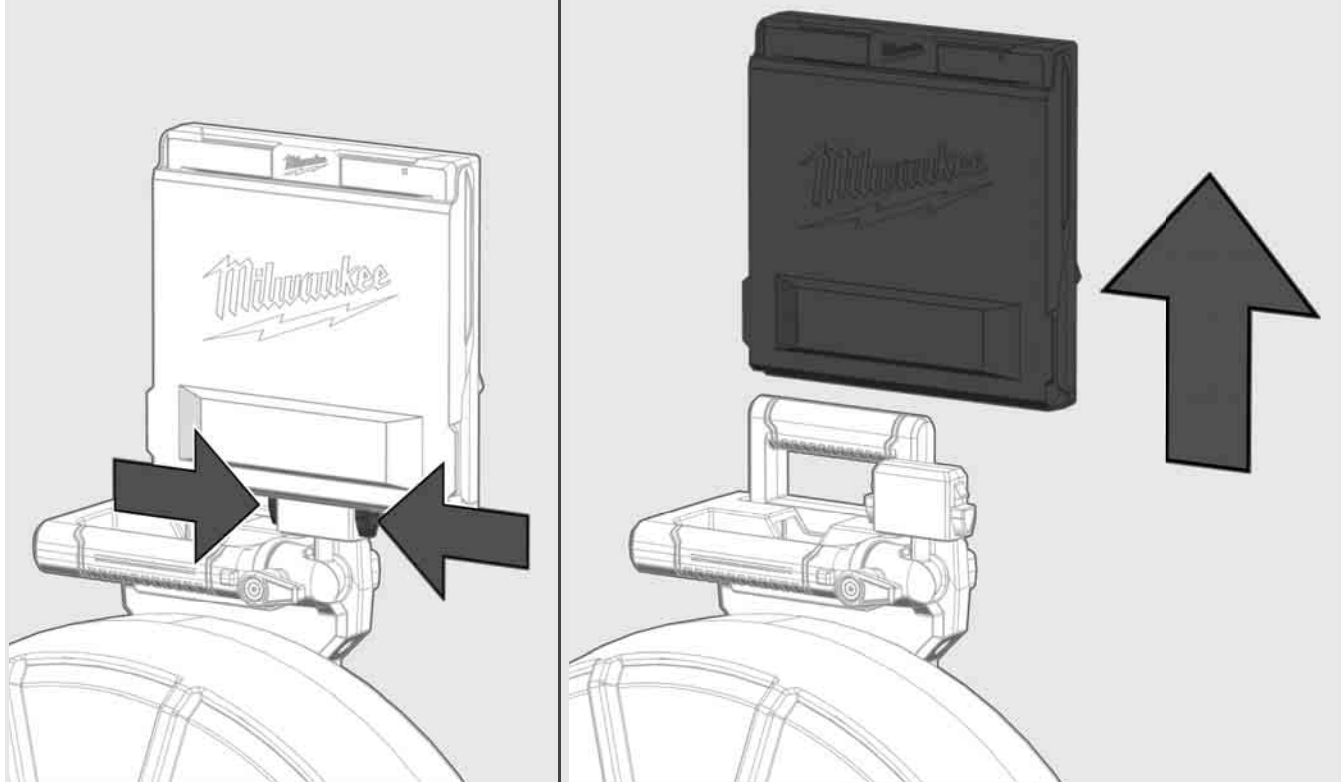


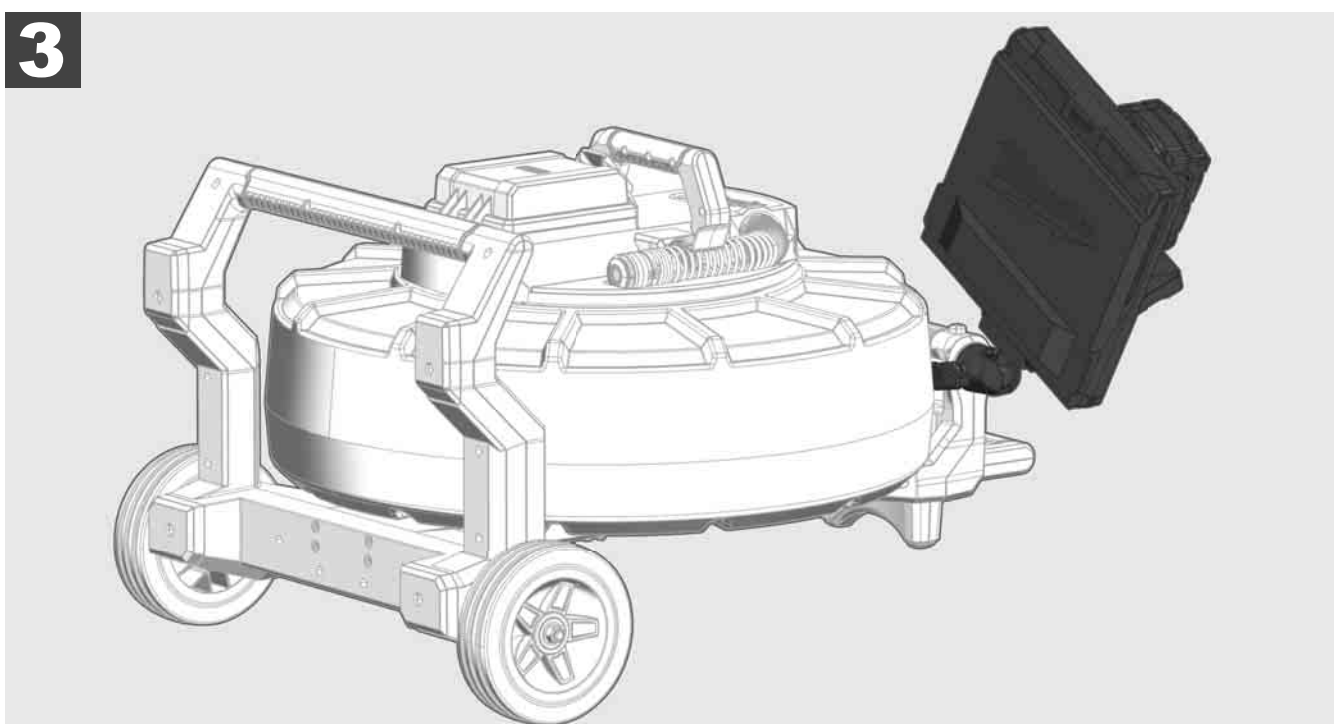
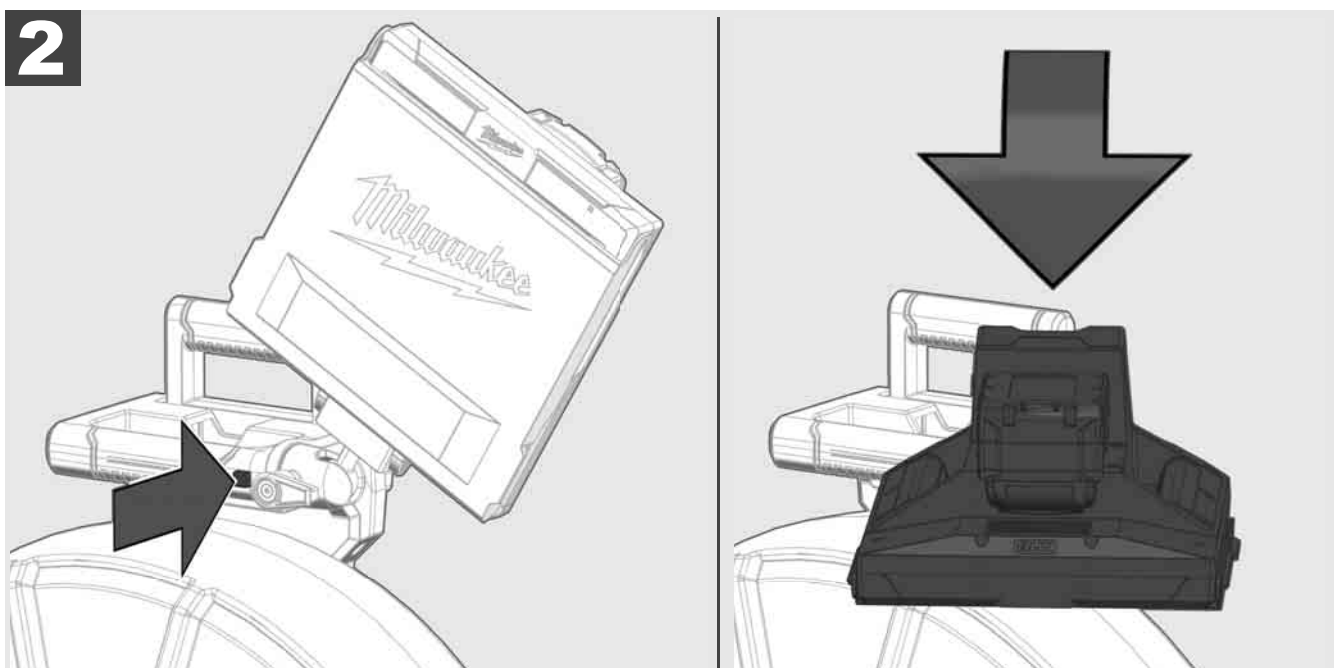
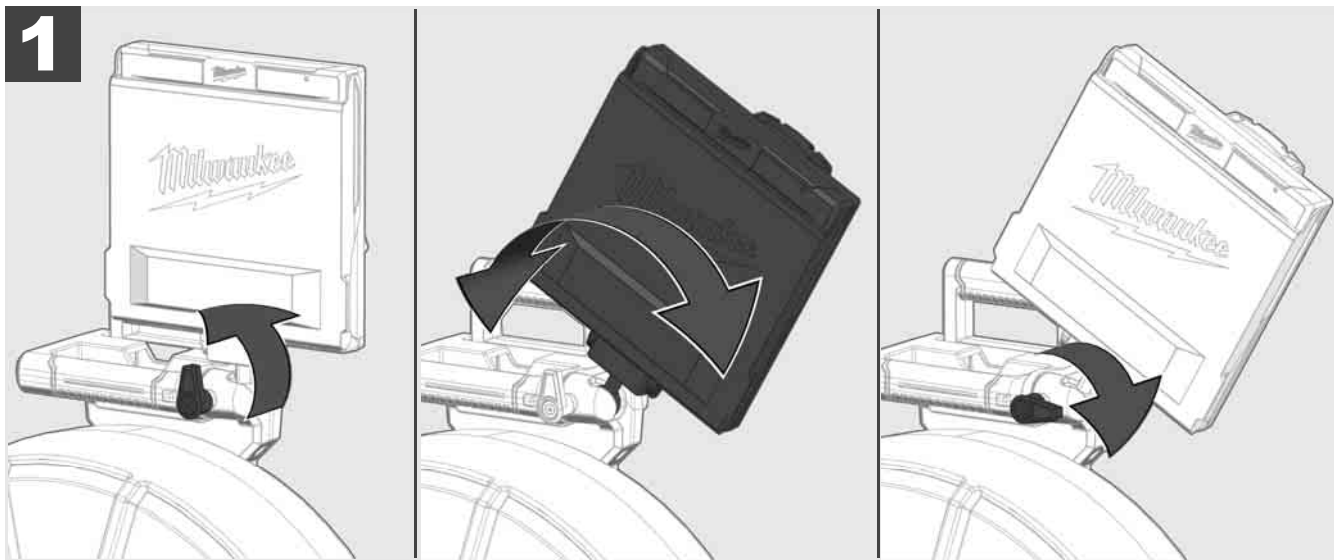


**1**



**2**





### 3.7 Употреба на макарата за инспектиране на тръби



Проверете кабела за признаци на износване – При навиване проверявайте кабела за разрези, пречупвания и изтриване. Ако обвивката на кабела е толкова износена, че се вижда жълтата или бяла кевларена част, кабелът трябва да се смени. При използване на кабел с повредена обвивка могат да проникнат вода и влага, което може да влоши качеството на записите и да доведе до излизане на камерата от строя.

Следващото изображение показва примери за силно повредени обвивки. Подобни кабели трябва да се заменят възможно най-бързо.

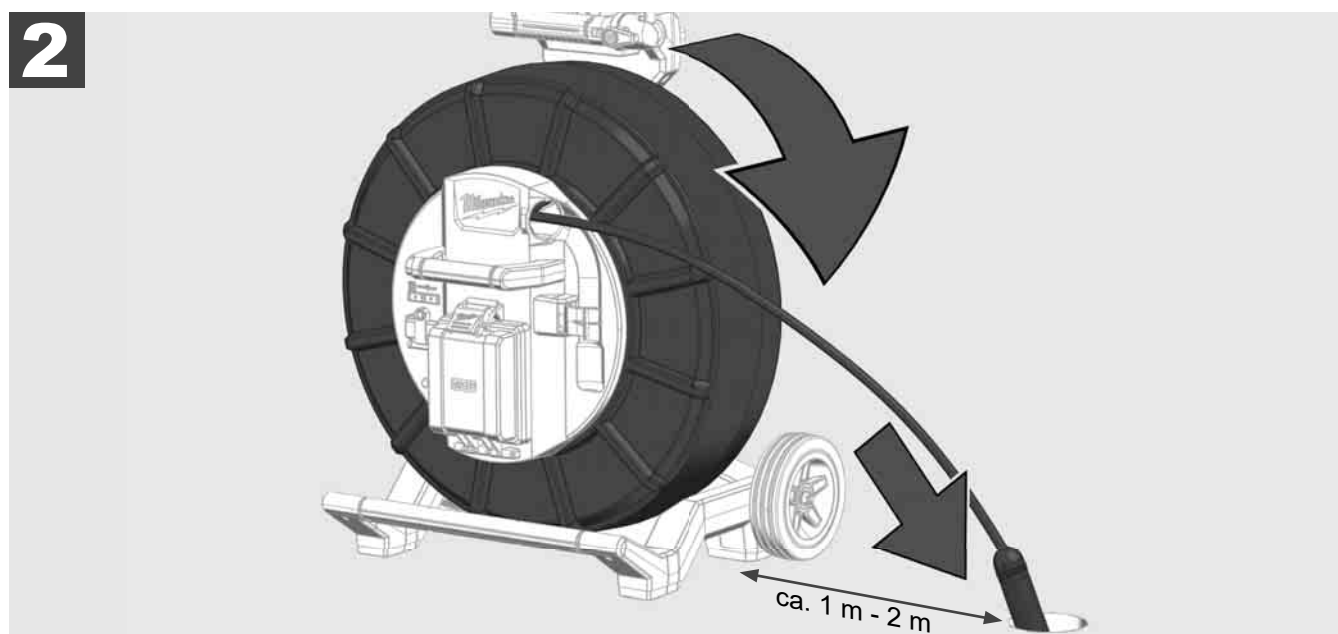
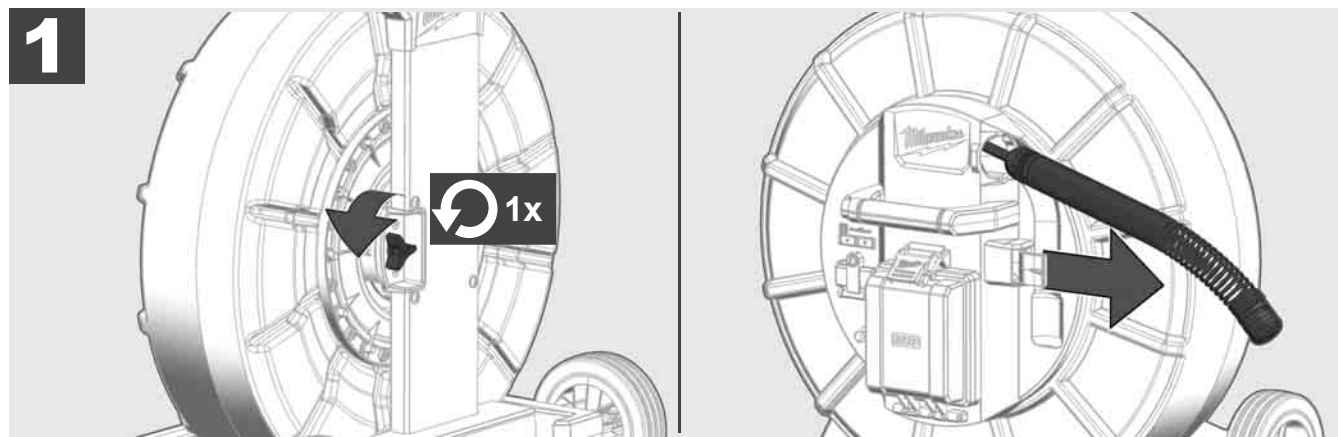


Поддържайте кабела и пружинния конструктивен модул винаги сухи и чисти – При навиване винаги почиствайте кабела с чиста, суха кърпа. В края на работния ден внимателно освобождавайте главата на камерата и пружината от замърсявания под течаща вода. Изтръскайте или издухайте излишната вода с въздух с ниско налягане и след това подсушете частите. Главата на камерата, кабелът и свързващите части са подложени на агресивни химикали в ежедневната работа. Внимателното почистване на системата удължава експлоатационния живот на тези части.

Боравете грижливо с кабела – Не дърпайте кабела от фиксираната макара. В противен случай кабелът се притиска в барабана и се подлага на прекомерно натоварване. От своя страна, връщането на кабела във фиксираната макара може да преобърне ролката или да прегъне кабела.

Поставяйте макарата на около 1 до 2 метра разстояние от мястото на входа върху равна повърхност. Така ще остане достатъчно място за боравене с кабела, без халките на кабела да се влачат по пода. При необходимост задействайте фрикционната спирачка, за да забавите движението на кабела.

Ако макарата се използва в хоризонтално положение, повърхността между краката се увеличава. Това осигурява стабилно положение на макарата върху неравна повърхност и намалява височината, което е предимство при тесни пространства.





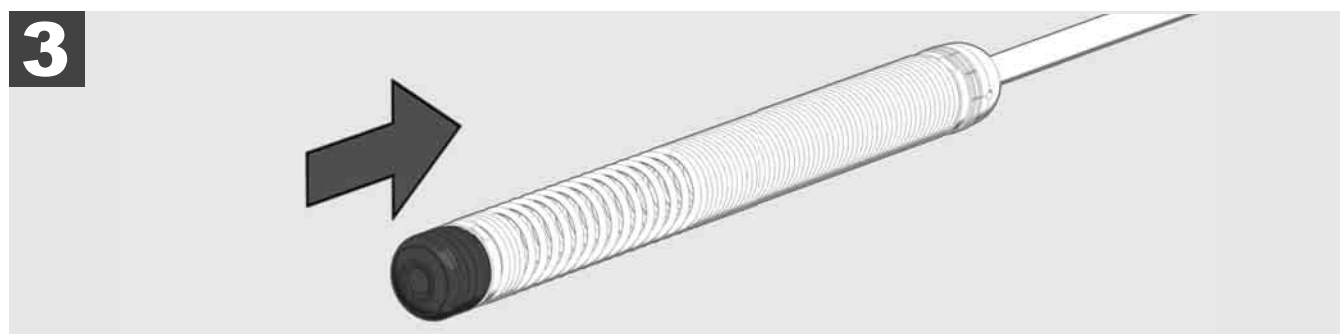
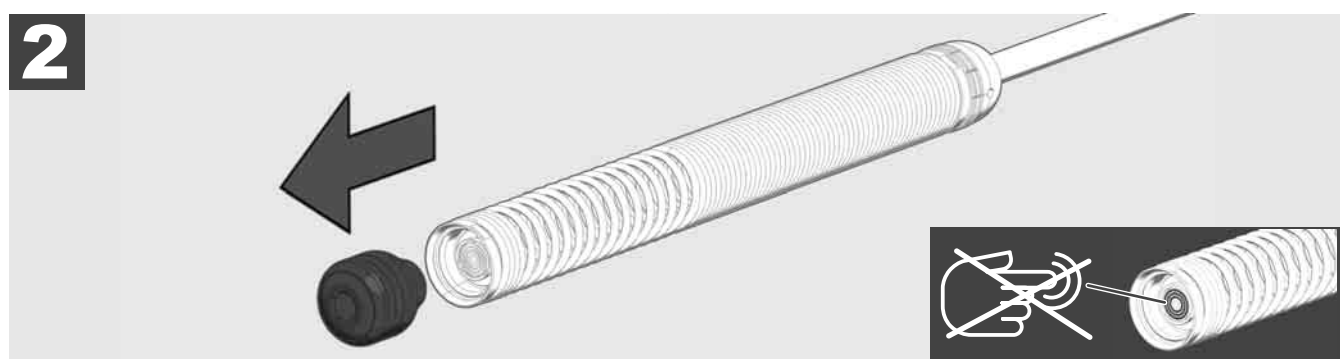
### 3.8 Конструктивна група на главата на камерата



По възможност не докосвайте с голи ръце зелената проводяща пластина, респ. златните контакти на пружинната конструктивна група, както и главата на камерата. В противен случай мазнинният слой на пръстите ще се прехвърли по тези компоненти, което може да доведе до преждевременна корозия. По възможност носете чисти и сухи гумени ръкавици.

Преди вземане избършете главата на камерата със сух материал и отстранете замърсяванията, които могат да паднат в зоната на свързване на камерата.

Не затягайте прекалено и не използвайте прекомерно усилие!



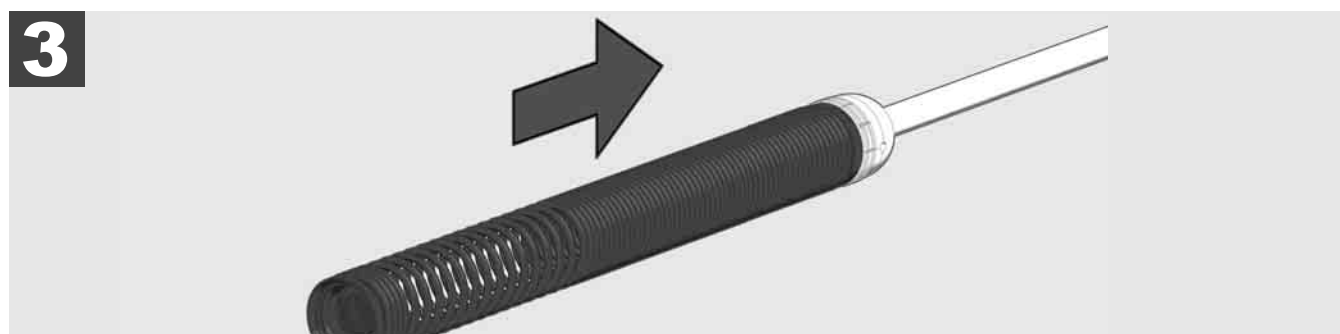
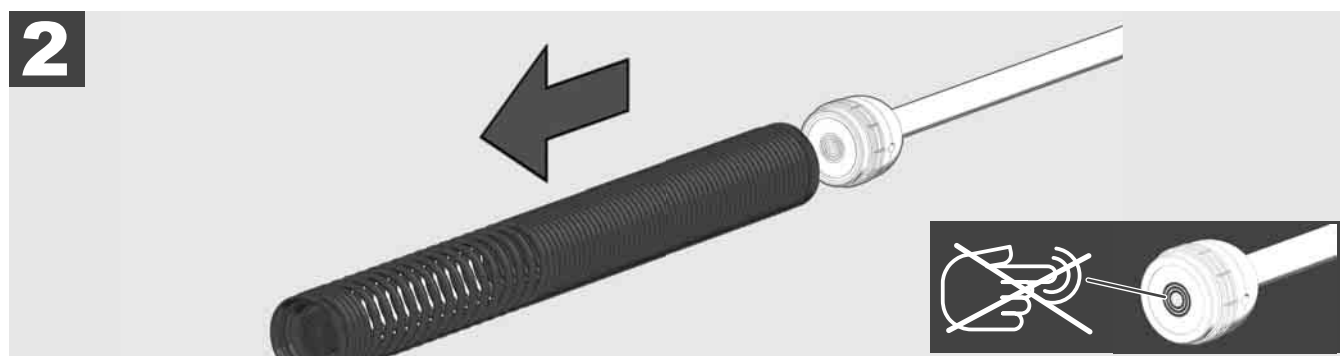
### 3.9 Пружинна група



По възможност не докосвайте с голи ръце зелената проводяща пластина, респ. златните контакти на пружинната конструктивна група, както и главата на камерата. В противен случай мазнинният слой на пръстите ще се прехвърли по тези компоненти, което може да доведе до преждевременна корозия. По възможност носете чисти и сухи гумени ръкавици.

Преди вземане избършете главата на камерата със сух материал и отстранете замърсяванията, които могат да паднат в зоната на свързване на камерата.

Не затягайте прекалено и не използвайте прекомерно усилие!



### 3.10 Защитна капачка на главата на камерата

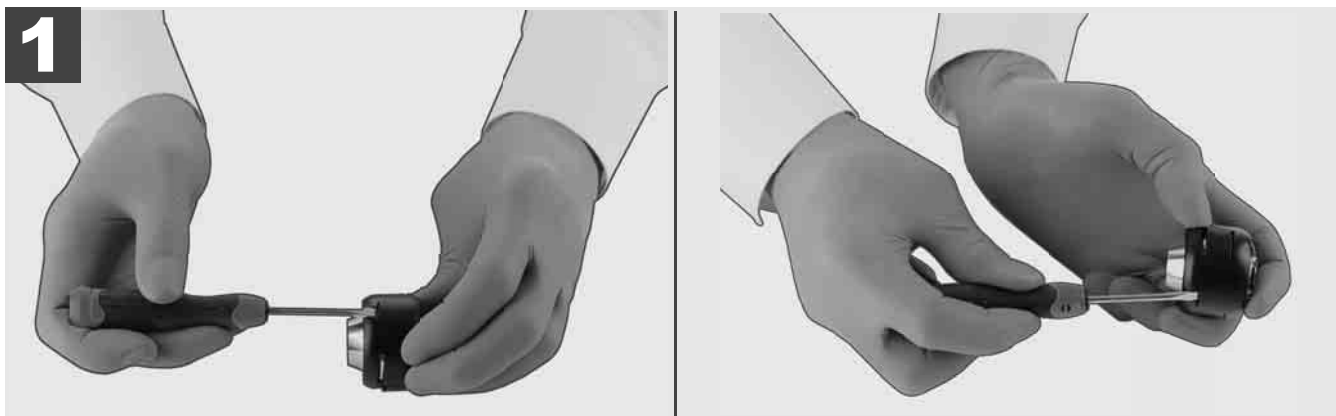


Защитни капачки – Подходящи за глави на камера с диаметър 25 mm, респ. 34 mm. Тези защитни капачки се доставят заедно с всички МАКАРИ ЗА ИНСПЕКТИРАНЕ НА ТРЪБИ или резервни глави на камери.

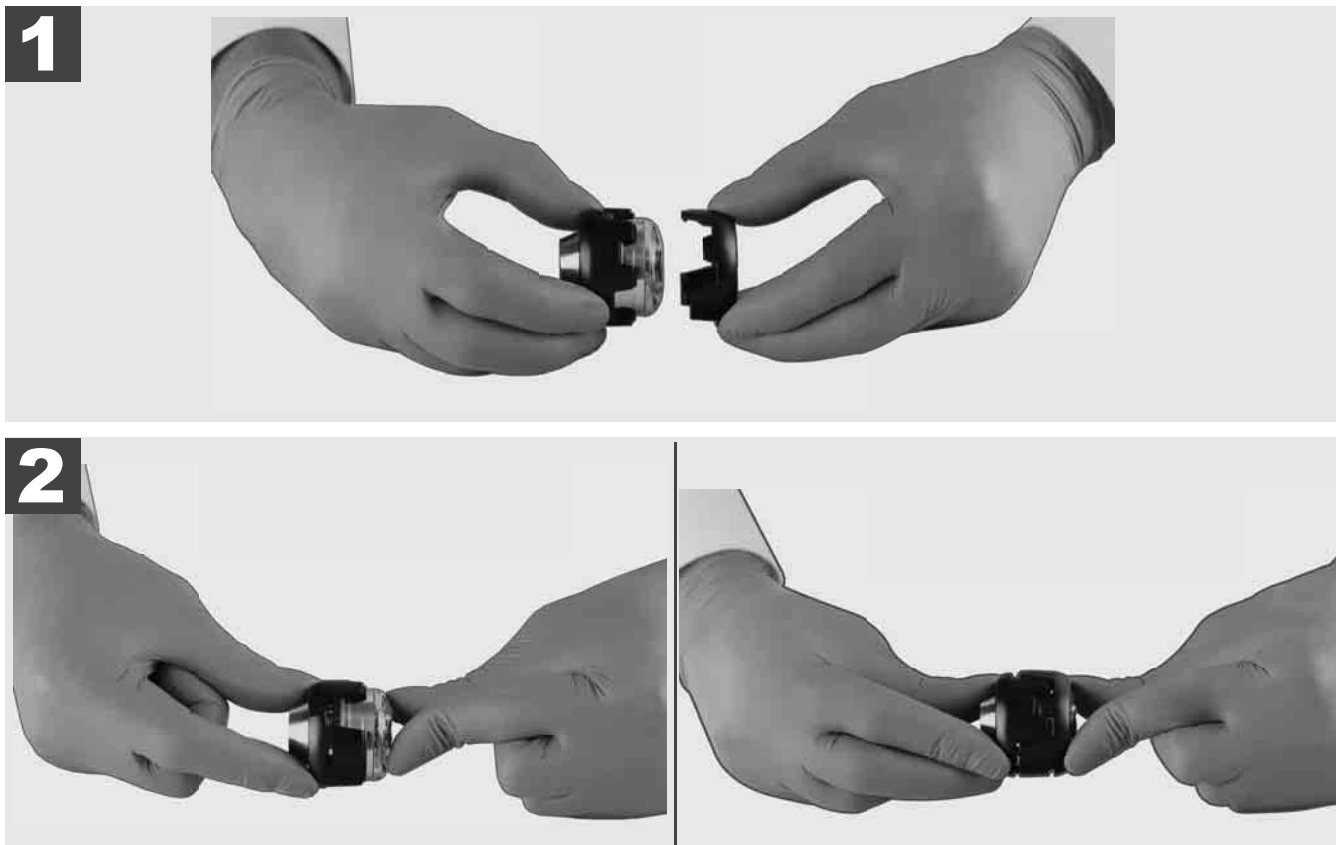
Водачи – Те се поставят върху пружинната конструктивна група, за да може главата на камерата да преминава по пода, а не да допира директно тръбата.



#### Отстраняване на защитната капачка



#### Инсталиране на защитната капачка



### 3.11 Водачи на камерата



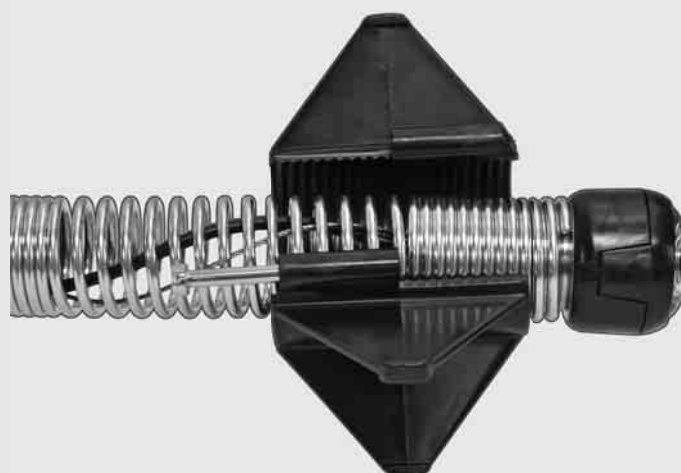
За главите на камерата с ширина 25 mm, респ. 34 mm, са на разположение по два водача. Едно по-малко изпълнение от 75 mm и средно изпълнение от 100 mm.

Водач на камерата 25 mm

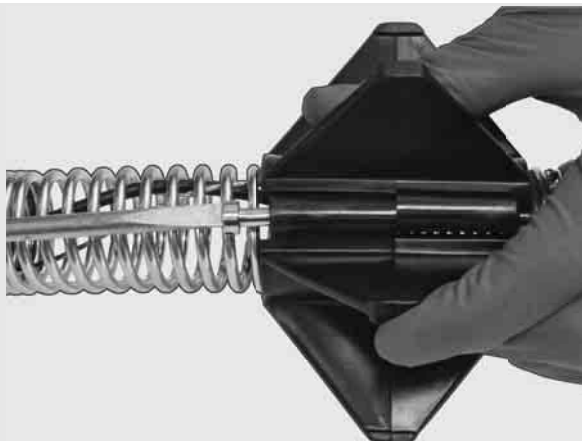
Водач на камерата 34 mm



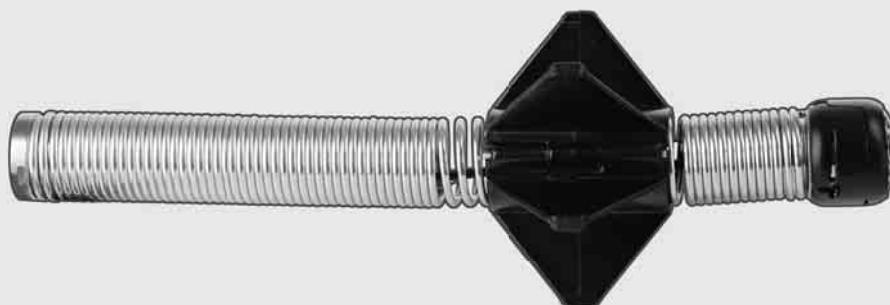
**1**



**2**



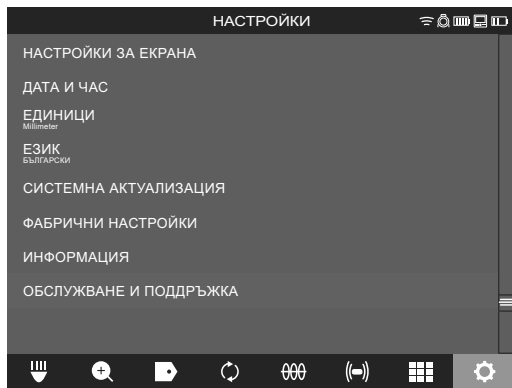
**3**



### 3.12 Обслужване и поддръжка


Ако СИСТЕМАТА ЗА ИНСПЕКТИРАНЕ НА ТРЪБИ трябва да се ремонтира, ще намерите ОБСЛУЖВАНЕ И ПОДДРЪЖКА на сервизната страница за инструменти на Milwaukee с всички важни телефонни номера.

Изберете **НАСТРОЙКИ**  → **ОБСЛУЖВАНЕ И ПОДДРЪЖКА**




**Milwaukee**  
Nothing but **HEAVY DUTY**®

click →



**M18 SIC36**  
**M18 SIC60**  
**M18 SISH**

click →



**M18 SIM**

click

1	Indicații generale .....	2
1.1	Prevederi speciale de siguranță pentru sistemele de inspecție a țevilor .....	2
1.2	Instrucțiuni suplimentare de siguranță și de lucru .....	2
1.3	Date tehnice .....	3
1.4	Condiții de utilizare specificate .....	3
1.5	Cerințe privind frecvențele radio în raport cu instalațiile europene .....	3
1.6	Declarație de conformitate CE .....	4
1.7	ONE-KEY™ .....	4
1.8	ACUMULATORI .....	4
1.9	Transportul acumulatorilor cu ioni de litiu .....	4
1.10	Întreținere .....	4
1.11	Simboluri .....	5
2	Smart Hub M18 SISH .....	6
2.1	Vedere de ansamblu Smart Hub M18 SISH .....	6
2.2	Montarea și demontarea acumulatorului .....	7
2.3	Verificarea stării de încărcare a acumulatorului .....	8
2.4	Montarea Smart Hub M18 SISH .....	9
2.5	Îndepărtarea Smart Hub M18 SISH .....	10
2.6	Înterupător pornit/oprit .....	11
2.7	Racordarea monitorului .....	12
2.8	Porturi USB .....	13
2.9	Bară de împământare .....	14
2.10	Resetare contor lungimi .....	15
2.11	Port de testare a camerei .....	16
2.12	Formatare unitate de disc internă și stick USB .....	17
2.13	Setări din fabrică .....	18
2.14	Actualizare sistem .....	19
3	TAMBURI DE INSPECȚIE A ȚEVILOR .....	21
3.1	Vedere de ansamblu tambur de inspecție a țevilor M18 SIC36 .....	21
3.2	Prezentare generală tambur de inspecție a țevilor M18 SIC60 .....	22
3.3	Instalarea dispozitivului de purtare .....	23
3.4	Îndepărtarea dispozitivului de purtare .....	24
3.5	Instalarea monitorului fără fir M18 SIM .....	25
3.6	Reglarea monitorului fără fir M18 SIM .....	26
3.7	Utilizarea tamburului de inspecție a țevilor .....	27
3.8	Grup constructiv cap cameră .....	28
3.9	Federgruppe .....	29
3.10	Capac de protecție a camerei .....	30
3.11	Ghidaje cameră .....	31
3.12	Service și asistență .....	32

# 1 INDICAȚII GENERALE

## 1.1 Prevederi speciale de siguranță pentru sistemele de inspecție a țevilor

La lucrări în țevi aveți grijă ca acestea să nu se afle sub tensiune și să nu fie încărcate electrostatic. Țevile nu au voie să conțină lichide. Videocamera și aparatul nu au voie să intre în contact cu lichide.

Videocamera și cablul nu au voie să intre în contact cu ulei, gaze sau alte materiale corosive.

Pentru a reduce riscul de explozie, de electrocutare și de daune materiale, verificați întotdeauna zona de lucru înainte de a începe lucrările. Cablul nu are voie să vină în contact cu componente electrice, chimicale sau piese mobile.

Pentru a reduce riscul de defecțiuni la aparat, nu utilizați forța în mod excesiv și nu îndoiți cablul. Nu utilizați camera de inspecție și cablul în zone în care acestea pot veni în contact cu substanțe corozive sau uleioase.

Nu utilizați cablul pentru a desfundă obturările sau pentru a înlătura obstacolele. Acesta nu este un dispozitiv de curățat țevi!

Dacă țeava de scurgere care urmează a fi inspectată poate conține substanțe chimice, bacterii sau alte substanțe toxice, resp. agenți infecțioși, atunci utilizați mănușile de protecție din latex sau cauciuc recomandate de producător, precum și ochelarii de protecție, masca de protecție a feței, îmbrăcămintea de protecție și masca de protecție a respirației recomandate de acesta. Conductele pot să conțină substanțe chimice, bacterii sau alte substanțe care pot fi toxice sau pot provoca infecții, iritații sau alte răni grave.

Respectați normele de igienă. Nu mâncați și nu fumați în timpul utilizării aparatului. După manipularea sau utilizarea sistemului de inspecție a țevilor mâinile și alte părți ale corpului care au intrat în contact cu conținutul țevii trebuie spălate întotdeauna cu apă caldă și săpun. Astfel preveniți riscurile de îmbolnăvire din cauza contactului cu substanțele toxice sau infecțioase.

Înainte de utilizare, verificați cablul referitor la urme de uzură și deteriorări. Înainte de utilizarea aparatului, înlocuiți cablul uzat sau deteriorat.

**ATENȚIE!** La transportul sistemului de inspecție a țevilor cu ajutorul dispozitivului de purtat pe spate se impun măsuri de precauție. Există riscul să vă dezechilibrați.

Folosiți întotdeauna aparatul în mod conștiincios și cu precauție. Este imposibil să prevedem toate situațiile periculoase. Nu folosiți acest aparat în cazul în care nu înțelegeți prezentele instrucțiuni sau vă simțiți suprasolicitați. Pentru informații suplimentare sau instrucțiuni luați legătura cu Milwaukee sau cun un specialist autorizat.

Nu înlăturați etichetele și plăcuțele de fabricație. Aceste plăcuțe conțin informații importante. Dacă aceste plăcuțe indicatoare devin ilizibile sau dacă lipsesc, adresați-vă serviciului pentru clienți MILWAUKEE pentru a le înlocui gratuit.

Multe dintre pulberile generate la utilizarea mașinilor de șlefuit, tăiat și găurit sau în urma altor lucrări de construcții pot conține substanțe chimice cancerigene, care pot cauza anomalii congenitale sau pot afecta capacitatea de reproducere. Printre aceste substanțe chimice se numără:

- plumbul din vopsele pe bază de plumb,
- dioxidul de siliciu cristalin conținut în țiglă, ciment sau alte produse de zidărie precum și
- arsenic sau crom din lemn pentru construcții tratat chimic.

Riscul de expunere depinde de frecvența cu care efectuați astfel de activități. Pentru a reduce riscul de expunere la minimum, lucrați întotdeauna în spații bine aerisite. Purtați un echipament de protecție aprobat oficial, ca de exemplu măști de protecție împotriva prafului prevăzute cu filtru pentru microparticule.

## 1.2 Instrucțiuni suplimentare de siguranță și de lucru

Nu înlocuiți acumulatorul atunci când suprafața uneltei este umedă.

Nu aruncați acumulatorii uzați la containerul de reziduri menajere și nu îi ardeți. Distribuitorii Milwaukee se oferă să recupereze acumulatorii vechi pentru protecția mediului înconjurător.

Nu depozitați acumulatorii împreună cu obiecte metalice (risc de scurtcircuit)

Folosiți numai încărcătoare System M18 pentru încărcarea acumulatorilor System M18. Nu folosiți acumulatori din alte sisteme.

În condiții de încărcare extremă sau la temperaturi extreme, din acumulatorii deteriorați se poate scurge acid pentru baterie. În caz de contact cu acidul de baterie, spălați imediat cu apă și săpun. În caz de contact cu ochii, clătiți temeinic timp de cel puțin 10 minute și apelați imediat la îngrijire medicală.

**Avertizare!** Pentru a reduce pericolul unui incendiu și evitarea rănilor sau deteriorarea produsului în urma unui scurtcircuit nu imersați aparatul, acumulatorul sau încărcătorul în lichide și asigurați-vă să nu pătrundă lichide în

acestea. Lichidele corosive sau cu conductibilitate, precum apa sărată, anumite substanțe chimice și înălbitori sau produse ce conțin înălbitori, pot provoca un scurtcircuit.

Deservirea sau curățarea acestui aparat nu este permisă persoanelor cu capacitate fizică, senzorială sau intelectuală redusă, respectiv lipsite de experiență sau insuficient pregătite, cu excepția cazului în care au fost instruite în legătură cu manipularea aparatului în condiții de securitate de către o persoană legalmente responsabilă pentru siguranța lor. Utilizarea aparatului de către persoanele menționate mai sus trebuie să aibă loc sub supraveghere. Nu este îngăduit ca acest aparat să ajungă la îndemâna copiilor. Atunci când nu este folosit, aparatul trebuie păstrat la loc sigur, ferit de accesul copiilor.

### 1.3 Date tehnice

	M18 SIC36	M18 SIC60	M18 SISH
Lungime cablu cameră.....	36 m.....	60 m	
Cap cameră.....	Ø 25 mm.....	Ø 34 mm	
Zoom max. ....	4x .....	4x	
Tensiune acumulator .....			18 V
Greutate conform procedurii EPTA 01/2014 (4.0 Ah / 12 Ah)..	12,4 kg .....	20,46 kg.....	5,37 kg
Bandă de frecvență Bluetooth (benzi de frecvență) .....			2402-2480 MHz
Putere la înaltă frecvență .....			1,8 dBm
Versiune Bluetooth .....			4.0 BT signal mode
Temperatura ambiantă recomandată la efectuarea lucrărilor.....	-18 ....	+50 °C	
Acumulatori recomandați .....	M18B....; M18HB....		
Încărcătoare recomandate .....	M12-18C, M12-18AC, M12-18FC, M1418C6		

### 1.4 Condiții de utilizare specificate

Sistemul de inspecție a conductelor se utilizează pentru vizitarea și inspecția conductelor de țevă. Sistemul este format din trei module:

#### - Tambur de inspecție a țevelor M18 SIC36 sau M18 SIC60

Tamburul de inspecție a țevelor se utilizează pentru înfășurare și desfășurare precum și pentru controlul cablului de tracțiune. Tamburii sunt disponibili în două mărimi: M18SIC36 pentru țevi cu un diametru cuprins între 50 mm și 150 mm dar și modelul mai mare M18SIC60 pentru țevi cu un diametru de la 75 mm până la 250 mm. Ambii tamburi conțin un cablu de tracțiune cu modul constructiv cu arc, pe care este montat capul de cameră cu autonivelare. Monitorul fără fir M18 SIM și Smart Hub M18 SISH pot fi utilizate cu ambii tamburi. Ambii tamburi pot fi montați atât vertical cât și orizontal. Pe partea posterioară a M18 SIC36 poate fi fixat un dispozitiv suport, pentru a putea purta aparatul pe spate.

#### - Smart Hub M18 SISH

Smart Hub M18 SISH se utilizează pentru comanda sistemului de inspecție a țevelor. Monitorul fără fir M18 SIM sau tableta pe care este instalată aplicația Milwaukee® pentru inspecția țevelor se conectează la Smart Hub M18 SISH, pentru a primi înregistrări video și fotografii. Atât înregistrările video cât și fotografiile sunt salvate pe unitatea de disc internă a Smart Hub M18 SISH.

#### - Monitor fără fir M18 SIM (nu este cuprins în pachetul de livrare; poate fi achiziționat separat. Monitorul fără fir M18 SIM permite vizualizarea înregistrărilor video efectuate cu capul de cameră, notarea înregistrărilor video sau a fotografiilor precum și redarea fișierelor video și foto. În timpul filmării pot fi înregistrate de asemenea comentariile efectuate la microfon. Cu ajutorul funcției „Notări“ pot fi adăugate comentarii sub formă de text. Comentariile text sunt integrate în înregistrarea video și apar pe fotografii împreună cu data, ora și lungimea cablului desfășurat.

Nu utilizați acest produs în alt mod decât cel stabilit pentru utilizare normală

### 1.5 Cerințe privind frecvențele radio în raport cu instalațiile europene

Notă: Acest instrument fost testat și respectă valorile limită ale unui receptor din categoria 3 conform EN 300 440 V2.1.1.

Aceste valori limită trebuie să asigure o protecție adecvată față de defecțiunile tehnice cauzate de undele radio în clădirile de locuințe.

Acest instrument reacționează la alte instrumente care emit unde radio în intervalul de frecvență de la 2402 până la 2480 MHz. Astfel se pot manifesta perturbații la utilizarea telecomenzii. Nu poate fi exclus faptul ca în anumite circumstanțe să se manifeste perturbații. Pentru a stabili dacă acest aparat este perturbat de semnalele radio emise de alte aparate, deconectați pentru scurt timp alte aparate pentru a verifica dacă aceste perturbații dispar. Următoarele măsuri pot ajuta la remedierea defecțiunilor:

- Opriti sursa perturbațiilor.
- Măriți distanța față de sursa perturbațiilor.



- Solicitați asistență din partea unui comerciant de specialitate sau a unui tehnician calificat în radiocomunicații.

## 1.6 Declarație de conformitate CE

Prin prezenta, Techtronic Industries GmbH declară că tipul de echipamente radio M18SISH este în conformitate cu Directiva 2014/53/UE. Textul integral al declarației UE de conformitate este disponibil la următoarea adresă internet: <http://services.milwaukeeetool.eu>

## 1.7 ONE-KEY™

Pentru a afla mai multe despre funcționalitatea ONE-KEY a acestui instrument citiți instrucțiunile de start rapid incluse sau vizitați-ne pe internet la [www.milwaukeeetool.com/one-key](http://www.milwaukeeetool.com/one-key). Puteți să descărcați aplicația ONE-KEY App pe smartphone-ul dvs. prin App Store sau Google Play.

Când produsul este supus unei descărcări electrostatice, se va deconecta comunicarea Bluetooth. Este necesară resetarea manuală pentru reluarea acesteia.

Instrumentul corespunde cerințelor minime conform EN 55014-2:2015 / EN 301489-1 V2.2.3 / EN 301489-17 V3.1.1.

### Indicator ONE-KEY™

Albastru continuu: Conexiunea radio este activă și poate fi configurată cu aplicația ONE-KEY™.

Albastru intermitent: Instrumentul comunică activ cu aplicația ONE-KEY™.

Roșu intermitent: Instrumentul a fost blocat din motive de siguranță și poate fi deblocat de către utilizator prin aplicația ONE-KEY™.

## 1.8 ACUMULATORI

Acumulatorii care nu au fost utilizați o perioadă de timp trebuie reîncărcați înainte de utilizare

Temperatura mai mare de 50°C reduce performanța acumulatorului. Evitați expunerea prelungită la căldură sau radiație solară (risc de supraîncălzire)

Contactele încărcătoarelor și acumulatorilor trebuie păstrate curate.

În scopul optimizării duratei de funcționare, acumulatorul trebuie încărcat complet după utilizare.

Pentru o durată de viață cât mai lungă, acumulatorul ar trebui scos din încărcător după încărcare.

La depozitarea acumulatorilor pe o perioadă de peste 30 zile:

Acumulatorul se depozitează la o temperatură de sub 27°C și la loc uscat.

Acumulatorul se depozitează la un nivel de încărcare de cca. 30%-50%.

Acumulatorul se încarcă din nou la fiecare 6 luni.

## 1.9 Transportul acumulatorilor cu ioni de litiu

Acumulatorii cu ioni de litiu cad sub incidența prescripțiilor legale pentru transportul de mărfuri periculoase.

Transportul acestor acumulatori trebuie să se efectueze cu respectarea prescripțiilor și reglementărilor pe plan local, național și internațional.

- Consumatorilor le este permis transportul rutier nerestricționat al acestui tip de acumulatori.
- Transportul comercial al acumulatorilor cu ioni de litiu prin intermediul firmelor de expediție și transport este supus reglementărilor transportului de mărfuri periculoase. Pregătirile pentru expediție și transportul au voie să fie efectuate numai de către personal instruit corespunzător. Întregul proces trebuie asistat în mod competent.

Următoarele puncte trebuie avute în vedere la transportul acumulatorilor:

- Pentru a se evita scurtcircuite, asigurați-vă de faptul că sunt protejate și izolate contactele.
- Aveți grijă ca acumulatorul să nu poată aluneca în altă poziție în interiorul ambalajului său.
- Este interzisă transportarea unor acumulatori deteriorați sau care pierd lichid.

Pentru indicații suplimentare adresați-vă firmei de expediție și transport cu care colaborați.

## 1.10 Intreținere

Utilizați numai accesorii și piese de schimb Milwaukee. Dacă unele dintre componente care nu au fost descrise trebuie înlocuite, vă rugăm contactați unul dintre agenții de service Milwaukee (vezi broșura pentru garanție/adrese ale centrelor de service).

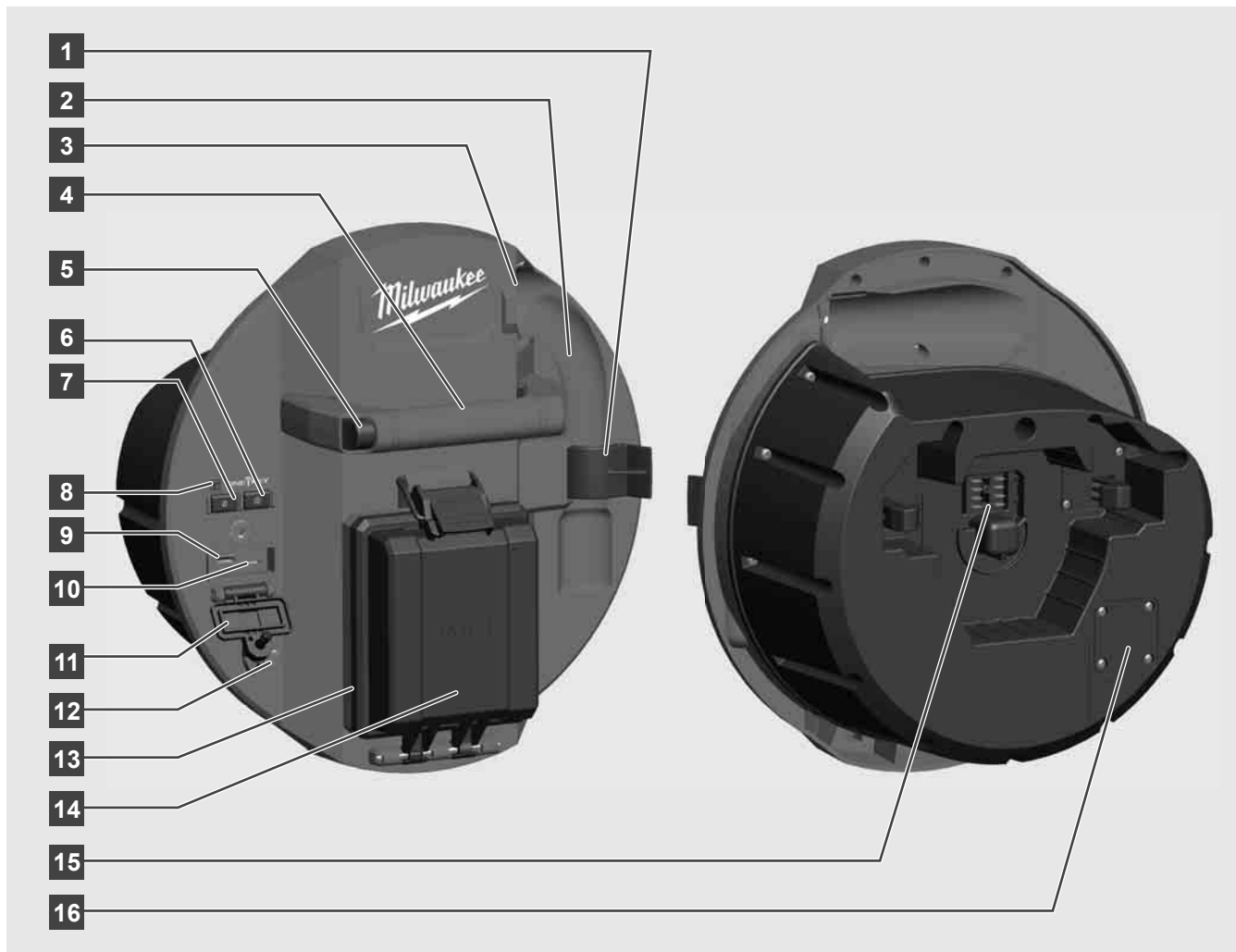
Dacă este necesar, puteți solicita de la centrul dvs. de service pentru clienți sau direct la Techtronic Industries GmbH, Max-Eyth-Straße 10, 71364 Winnenden, Germania un desen descompus al instrumentului prin indicarea tipului de instrument și a numărului cu șase cifre de pe plăcuța cu date tehnice.

## 1.11 Simboluri

	PERICOL! AVERTIZARE! ATENȚIE!
	Îndepărtați acumulatorul înainte de începerea lucrărilor la aparat.
	Va rugăm citiți cu atenție instrucțiunile înainte de punerea în funcțiune a instrumentului.
	Purtați mănuși de protecție!
	Purtați întotdeauna ochelari de protecție când utilizați instrumentul.
	Aparatele electrice, bateriile/acumulatorii nu se elimină împreună cu deșeurile menajere. Aparatele electrice și acumulatorii se colectează separat și se predau la un centru de reciclare, în vederea eliminării ecologice. Informați-vă de la autoritățile locale sau de la comercianții acreditați în legătură cu centrele de reciclare și de colectare.
	Tensiune
	Curent continuu
	Marcă de conformitate europeană
	Marcă de conformitate Regatul Unic
	Marcă de conformitate ucraineană
	Marcă de conformitate eurasiatică

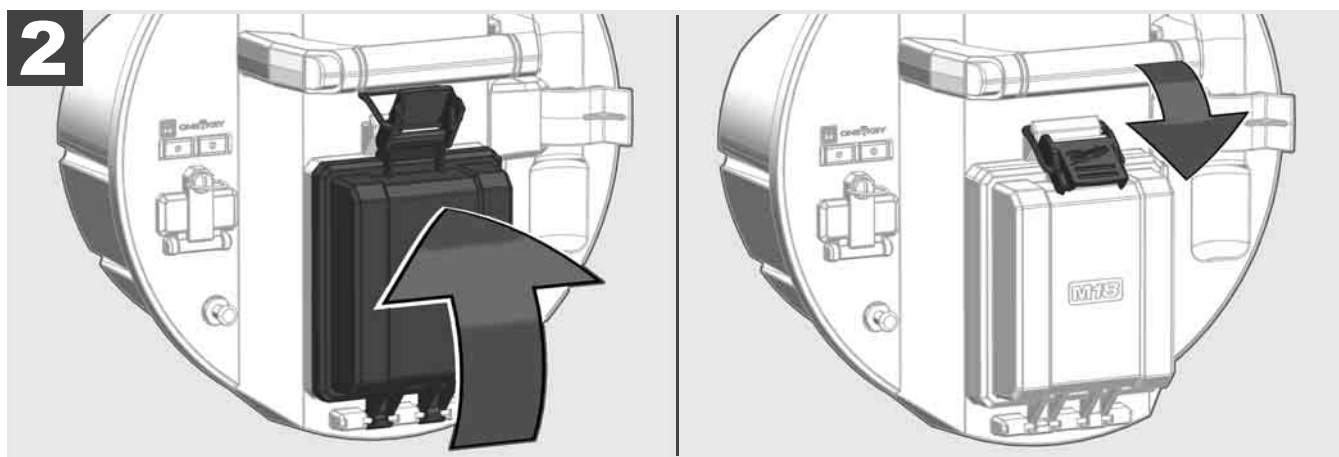
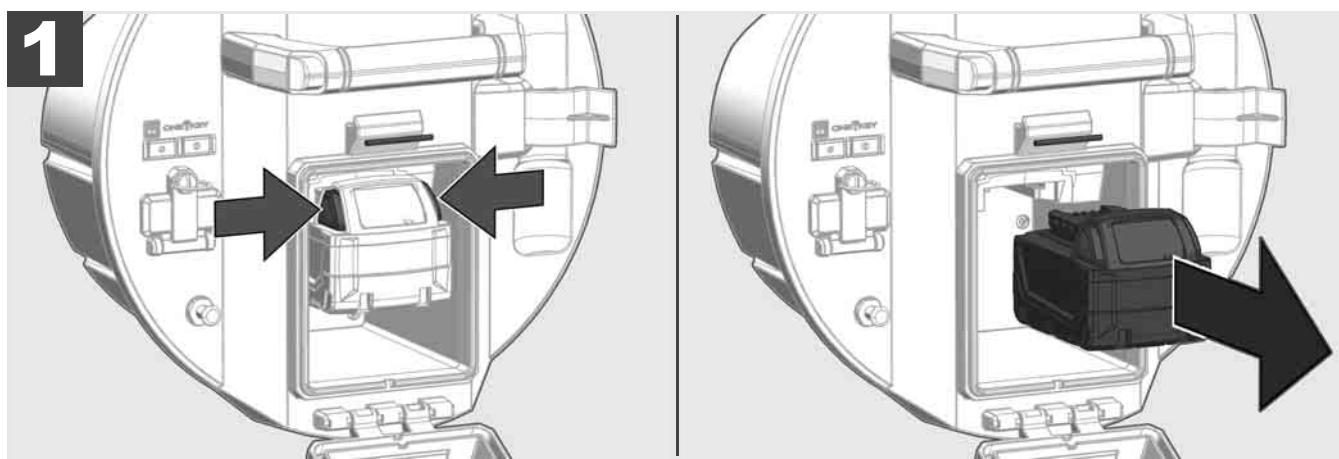
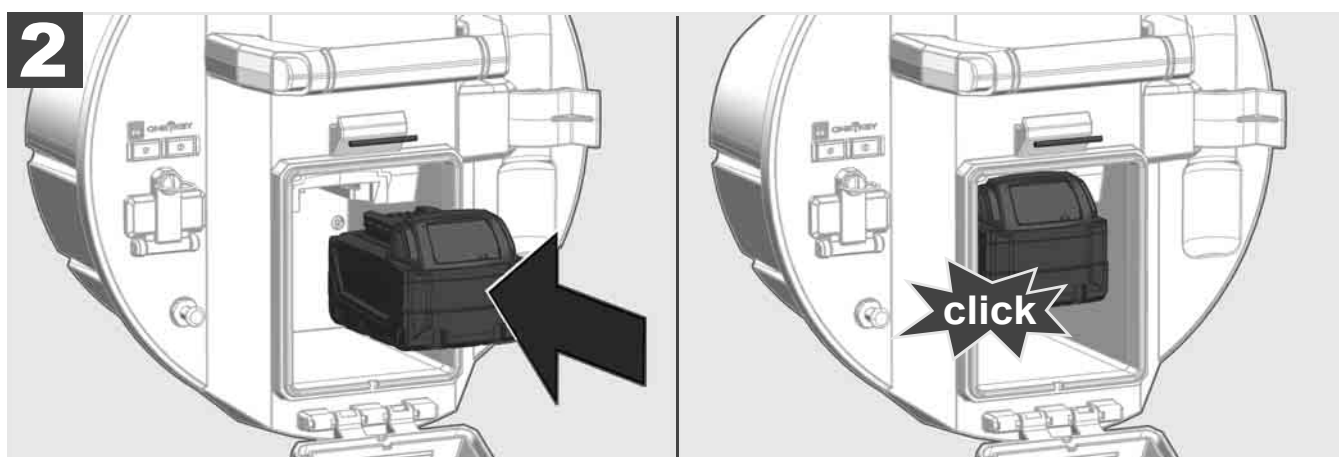
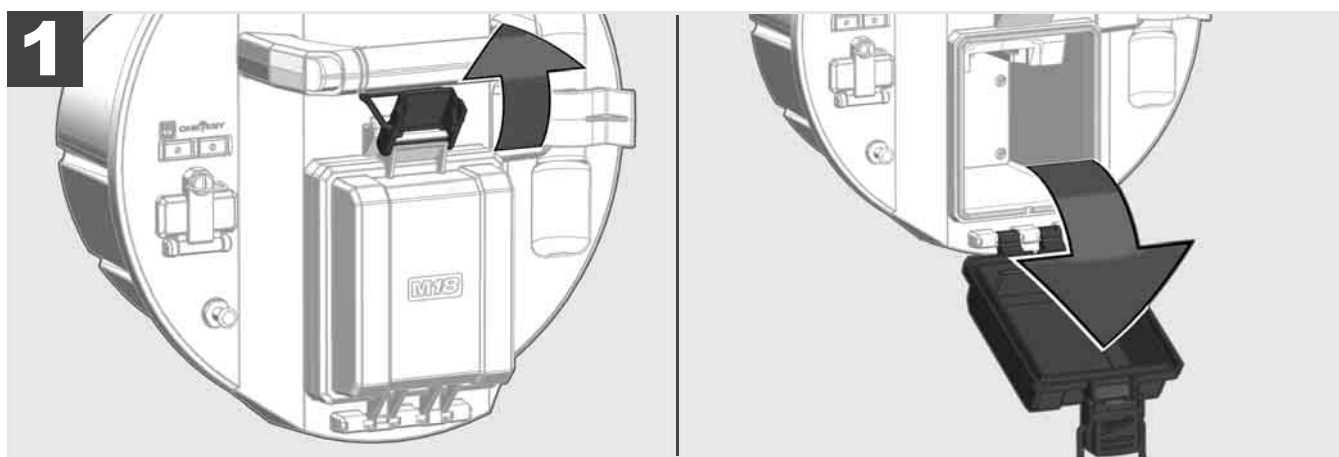
## 2 SMART HUB M18 SISH

### 2.1 Vedere de ansamblu Smart Hub M18 SISH



- 1 Clemă de siguranță pentru arc – Pentru asigurarea arcului și a camerei în timpul transportului.
- 2 Dispozitiv de fixare a arcului – Menține arcul și camera în poziție fixă în timpul transportului și depozitării.
- 3 Ghidaj cablu – Înainte de inserarea Smart Hubs, treceți arcul și cablul de tracțiune prin ghidaj.
- 4 Mâner
- 5 Tastă de deblocare – Apăsați această tastă pentru a desprinde Smart Hub de pe tamburul de inspecție a țevilor.
- 6 Întrerupător principal – Apăsați o dată scurt, pentru a porni instrumentul; mențineți apăsat, pentru a opri instrumentul.
- 7 Tastă resetare lungime cablu – Readuce lungimea cablului desfășurat la zero.
- 8 Indicator LED ONE-KEY
- 9 Port USB-A – Pentru salvarea directă a înregistrărilor video și a fotografiilor precum și pentru actualizări Firmware.
- 10 Port USB-C – Racord opțional de alimentare și date pentru conectarea monitorului fără fir M18 SIM cu Smart Hub.
- 11 Capac racord USB – Capac etanș care protejează racordurile USB împotriva prafului și umidității.
- 12 Bară de împământare – Pentru împământarea Smart Hub la urmărirea cablului de tracțiune.
- 13 Capac acumulator – Capac etanș care protejează acumulatorul împotriva prafului și a umidității.
- 14 Compartiment acumulator – Pentru acumulator M18™
- 15 Racord pentru conectarea Smart Hub și a tamburului de inspecție a țevilor.
- 16 Port de testare a camerei – Pentru remedierea erorilor în caz de probleme la capul camerei

## 2.2 Montarea și demontarea acumulatorului



## 2.3 Verificarea stării de încărcare a acumulatorului



78-100 %



55-77 %



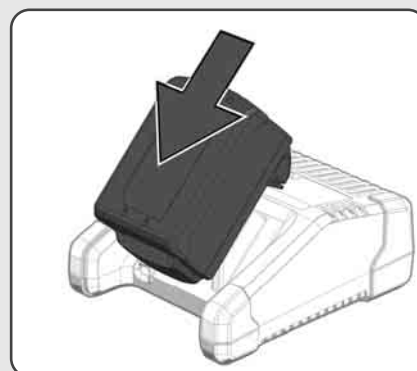
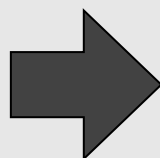
33-54 %

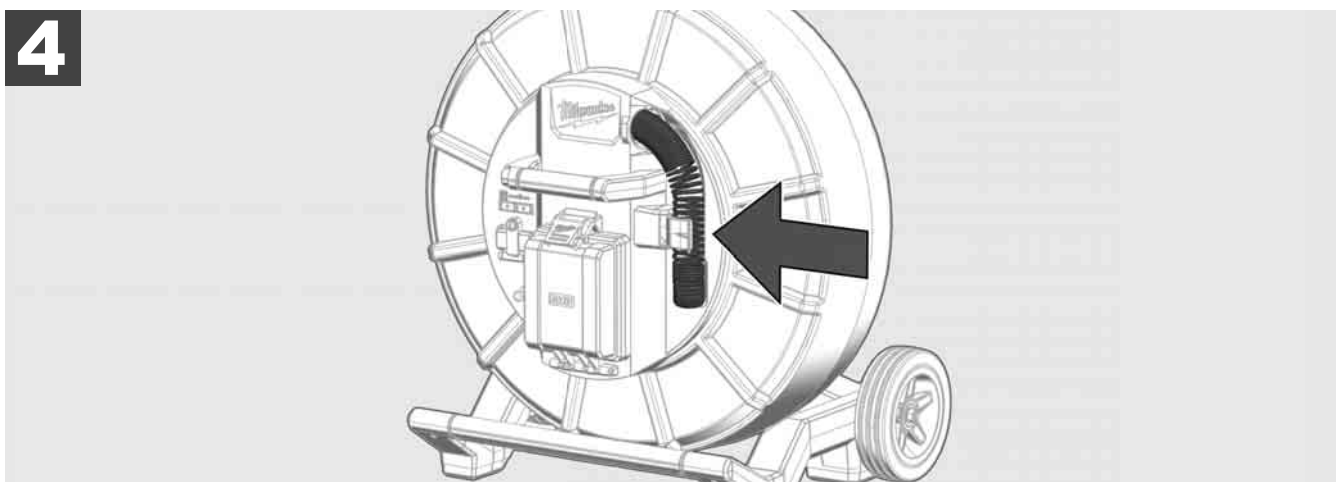
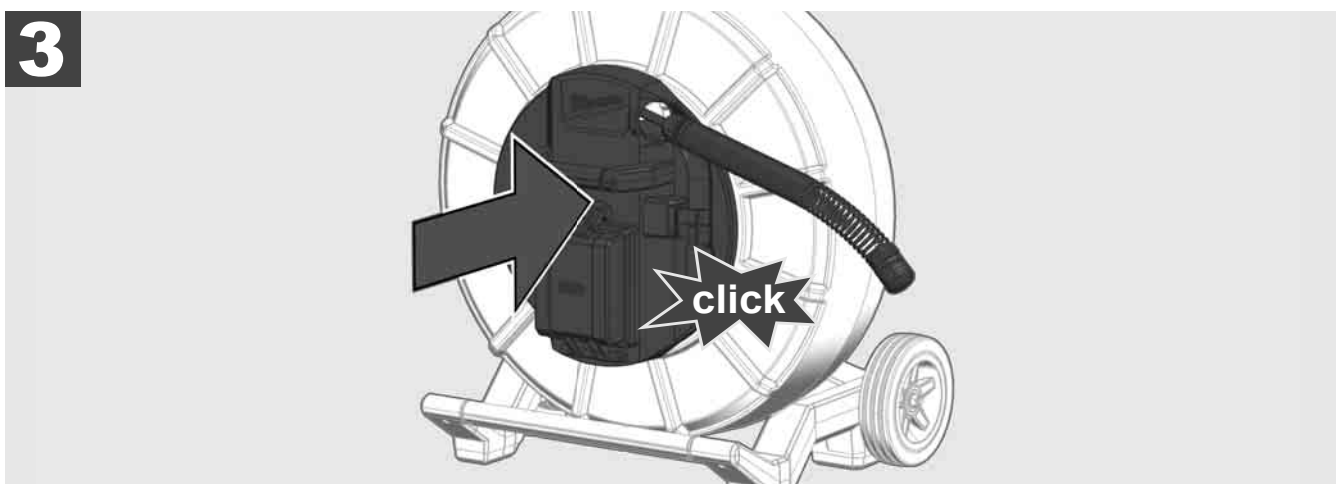
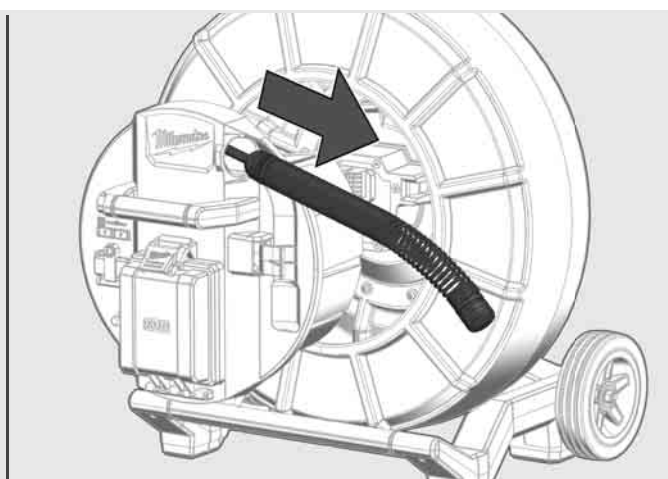
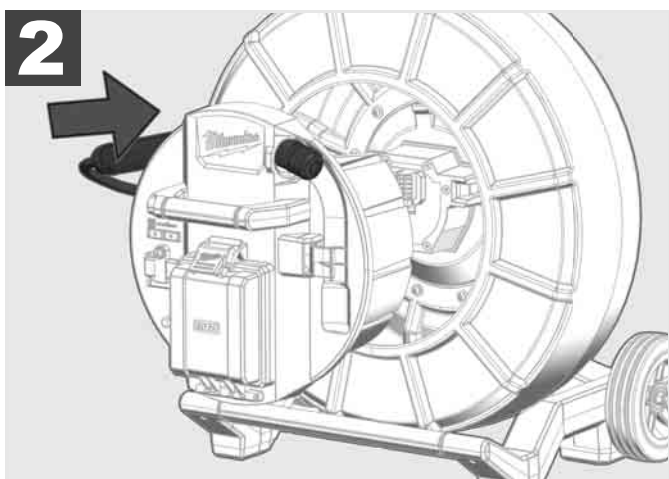
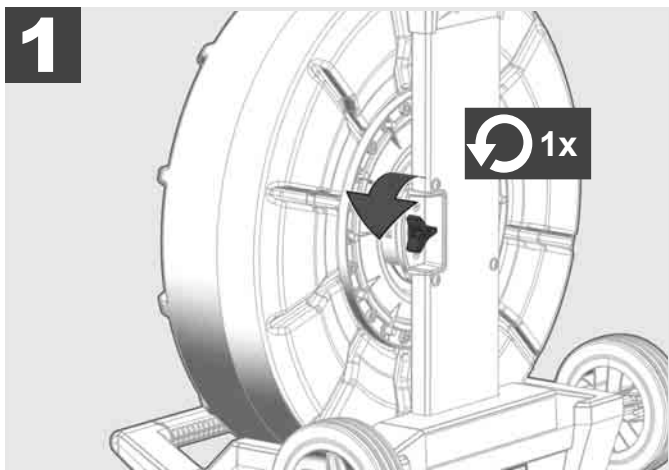


10-32 %



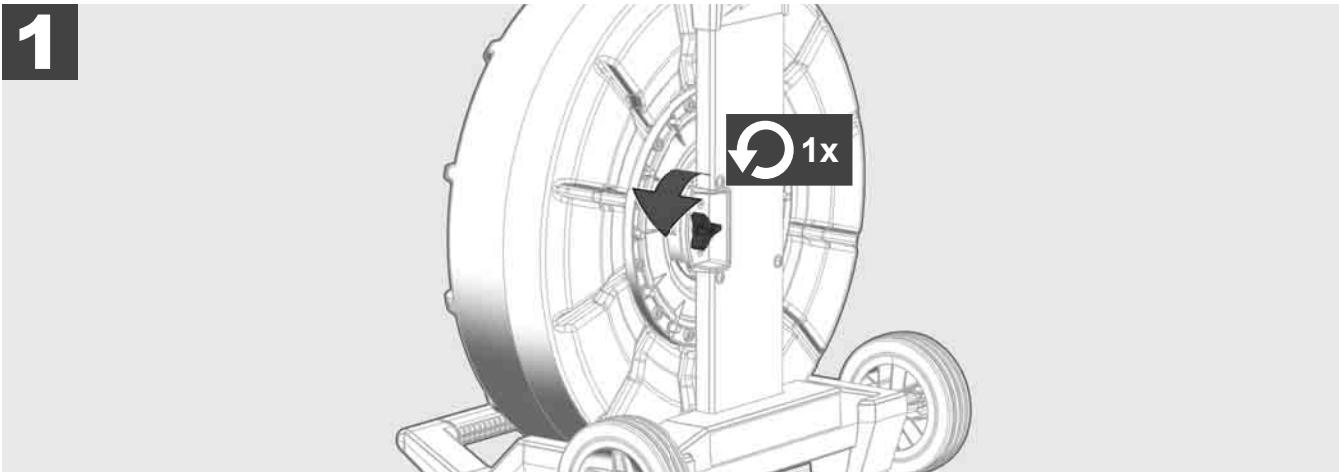
< 10 %



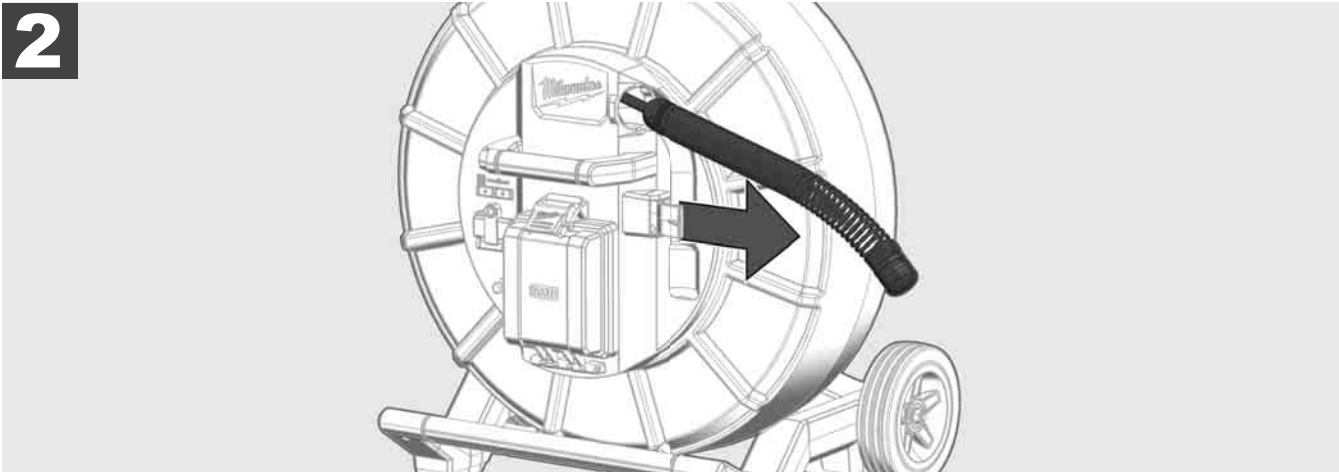




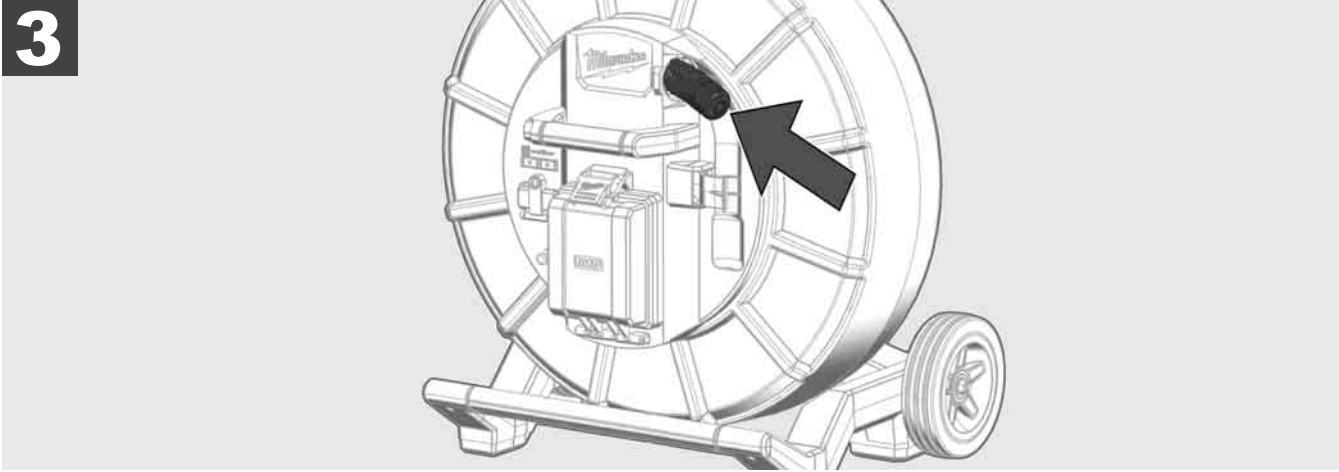
**1**



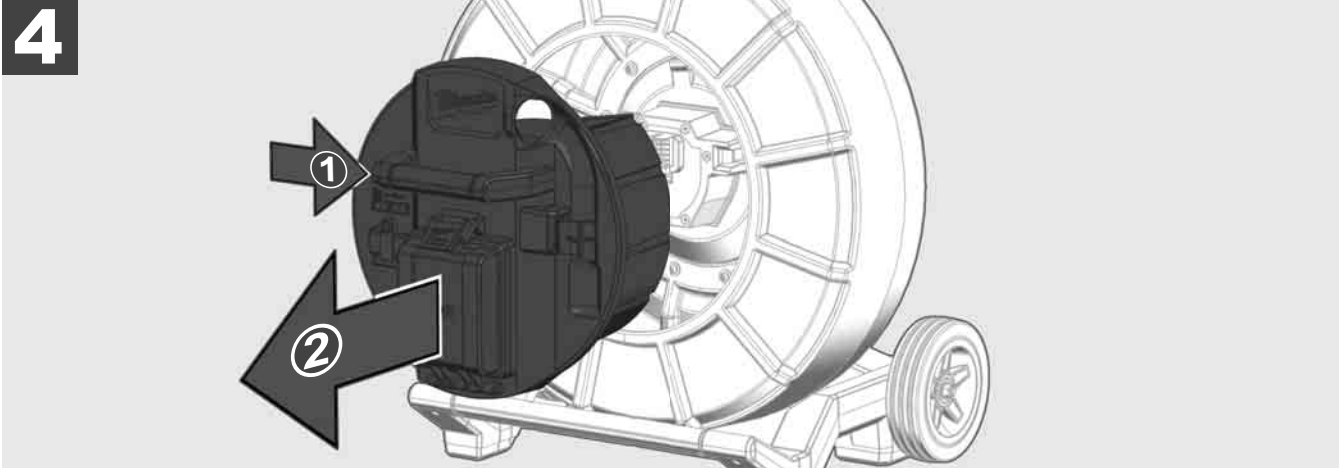
**2**



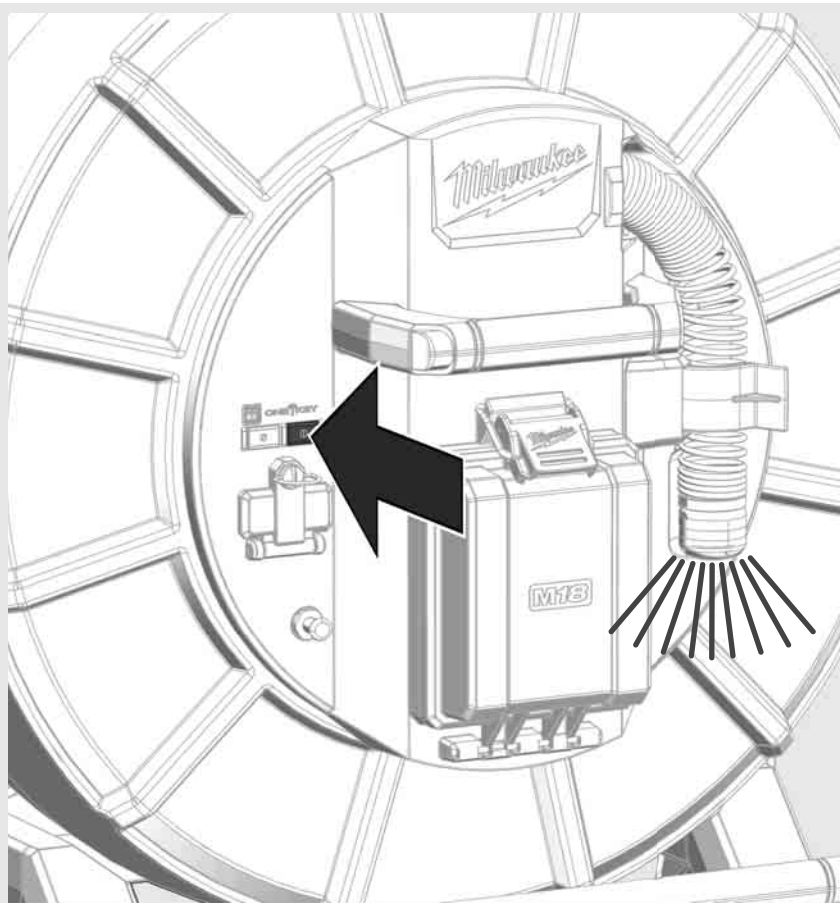
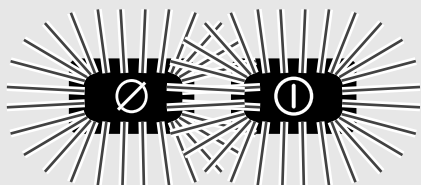
**3**



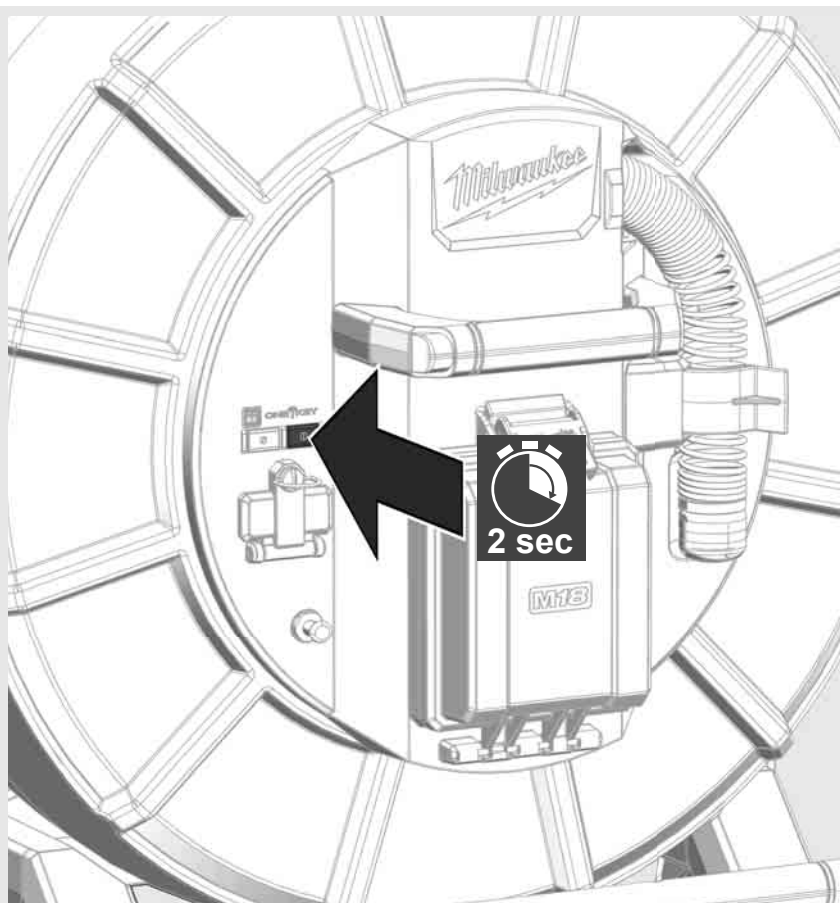
**4**



**ON**



**OFF**





## 2.7 Racordarea monitorului

Pentru a modifica setările SISTEMULUI DE INSPECȚIE A ȚEVILOR, pentru a controla funcțiile acestuia și pentru a reda fotografiile și imaginile video înregistrate cu camera este nevoie de un aparat de redare.

Aparatul extern de redare nu este cuprins în volumul de livrare pentru SISTEMUL DE INSPECȚIE A ȚEVILOR și trebuie achiziționat separat.

Sunt disponibile următoarele opțiuni:

- MONITOR FĂRĂ FIR MILWAUKEE M18 SIM
- Tabletă sau smartphone cu aplicația MILWAUKEE pentru inspecția țevelor

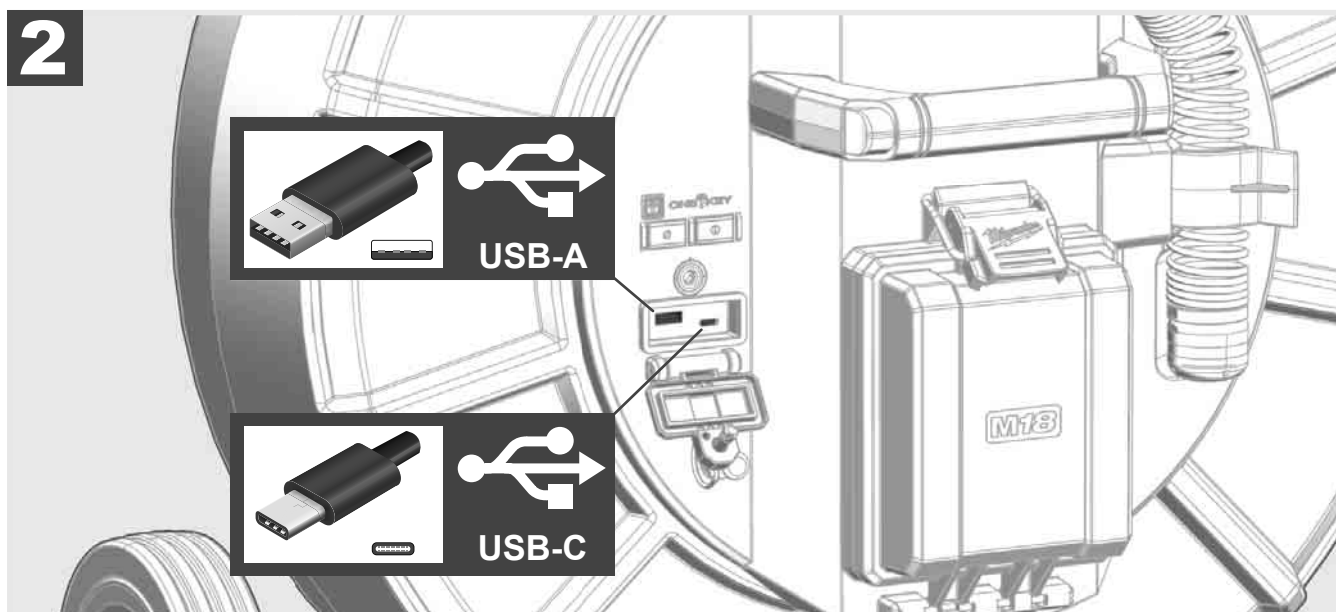
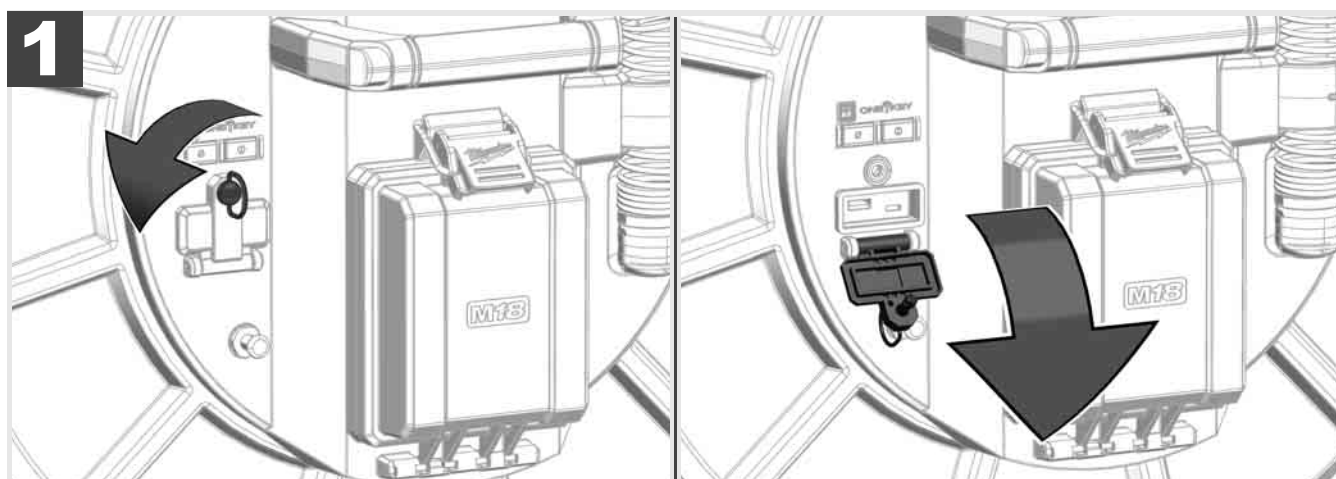
MONITORUL FĂRĂ FIR se racordează prin WLAN sau portul USB-C la SISTEMUL DE INSPECȚIE A ȚEVILOR și este utilizabil imediat. La utilizarea unei tablete sau a unui smartphone instalați mai întâi aplicația MILWAUKEE pentru inspecția țevelor pe respectivul aparat.

### **PRIMA UTILIZARE CU MONITORUL FĂRĂ FIR M18 SIM:**

1. Porniți SMART HUB și MONITORUL FĂRĂ FIR.
2. MONITORUL FĂRĂ FIR se conectează automat în 25 cu SMART HUB.  
\*Pentru o conexiune prin cablu racordați monitorul prin cablul USB-C la Smart Hub.

### **PRIMA UTILIZARE CU SMARTPHONE SAU TABLETĂ:**

1. Descărcați aplicația MILWAUKEE de inspecție a țevelor și instalați-o pe aparat.
2. Porniți SMART HUB și aparatul de redare.
3. Selectați opțiunea Setări > WLAN.
4. Selectați opțiunea MTCAM\_[LAST 9 DIGITS OF HUB SERIAL #].
5. Introduceți parola: 29702000
6. Porniți aplicația MILWAUKEE de inspecție a țevelor.

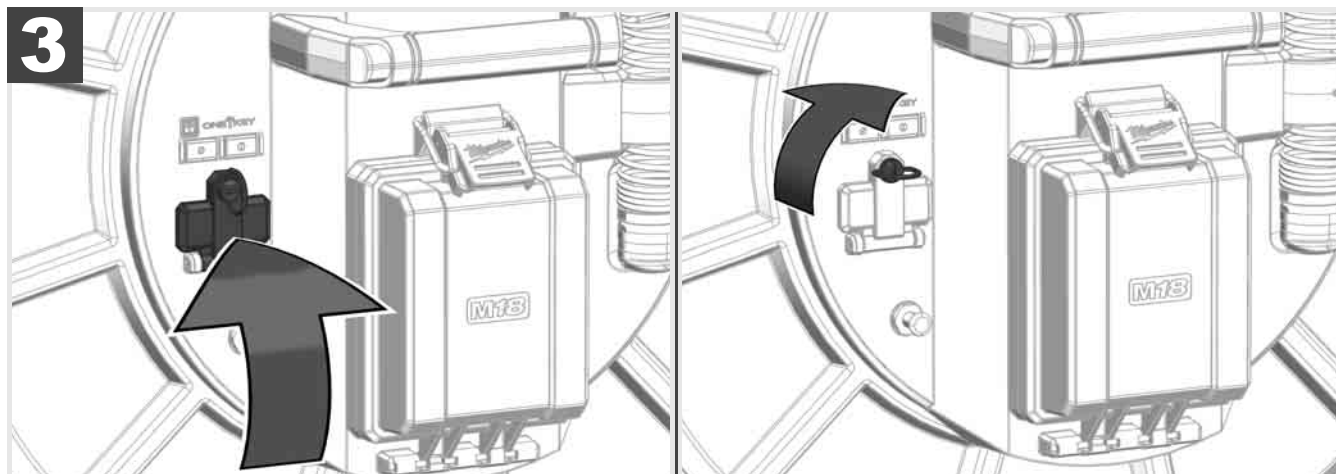


### USB-A

- Port pentru utilizarea normală. Asigură redarea directă a imaginilor video și a fotografiilor precum și transmiterea acestora de pe unitatea internă de disc a Smart Hub.
- Permite efectuarea actualizărilor Firmware pe Smart Hub.

### USB-C

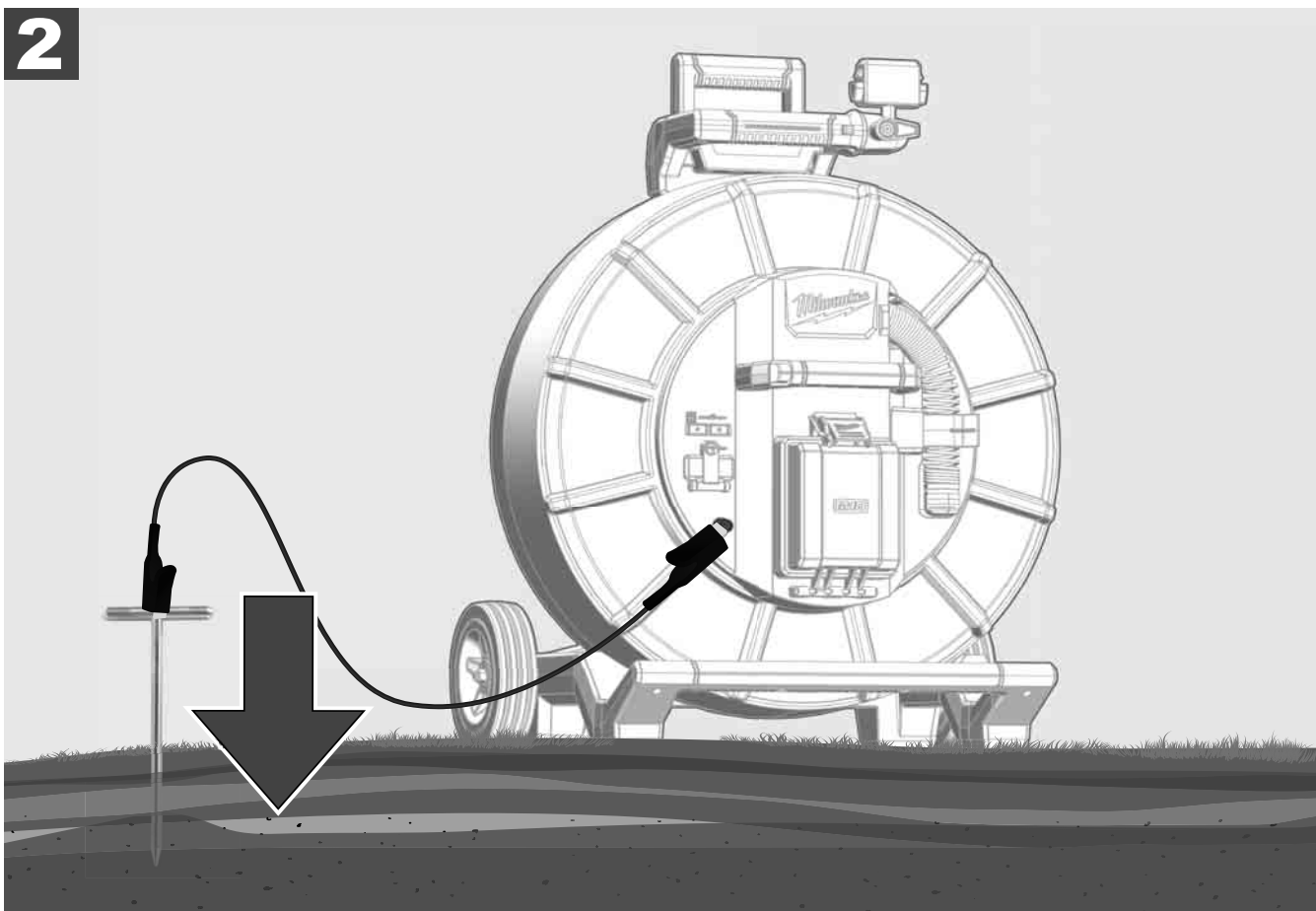
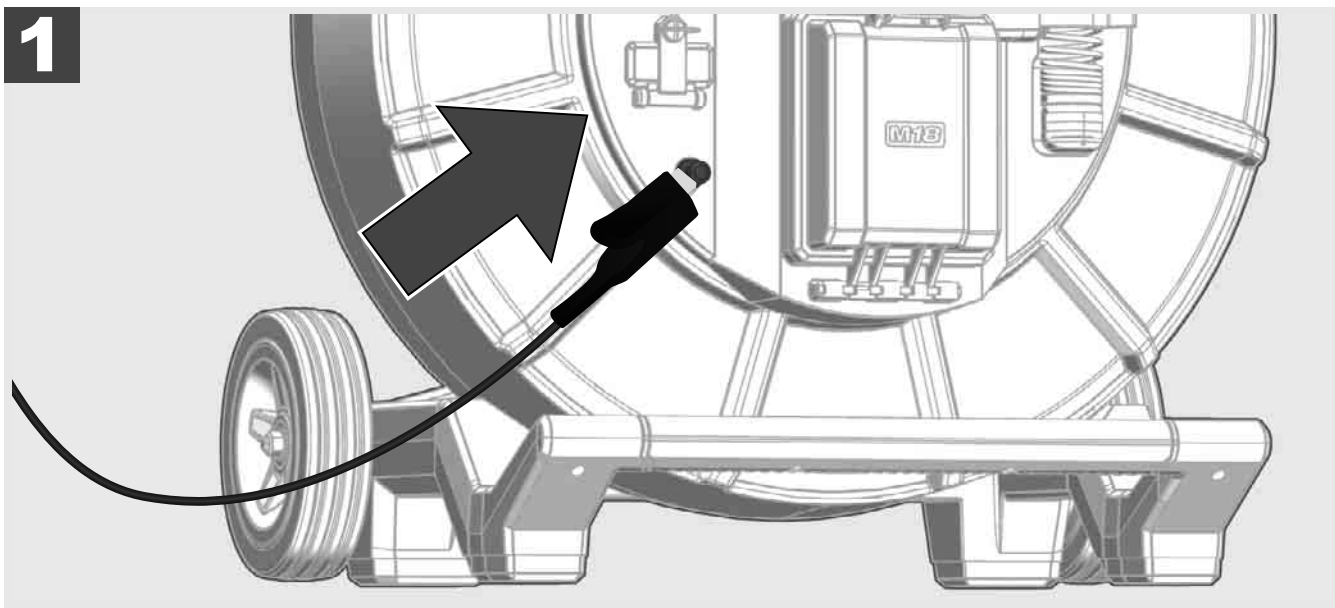
- Permite conexiunea între monitorul fără fir M18 SIM și Smart Hub fără a fi nevoie de o rețea WLAN. Alimentarea cu energie electrică a Smart Hub prin monitorul fără fir M18 SIM sau invers, atunci când acumulatorul nu este încărcat.



## 2.9 Bară de împământare



Bara de împământare trebuie utilizată întotdeauna atunci când cablul de tracțiune este urmărit cu funcția URMĂRIRE CABLU. Smart Hub trebuie împământat pentru a închide bucla de curent și pentru a transmite un semnal de localizare corect. Utilizați cablul de împământare livrat împreună cu bara de împământare pentru împământarea Smart Hub.

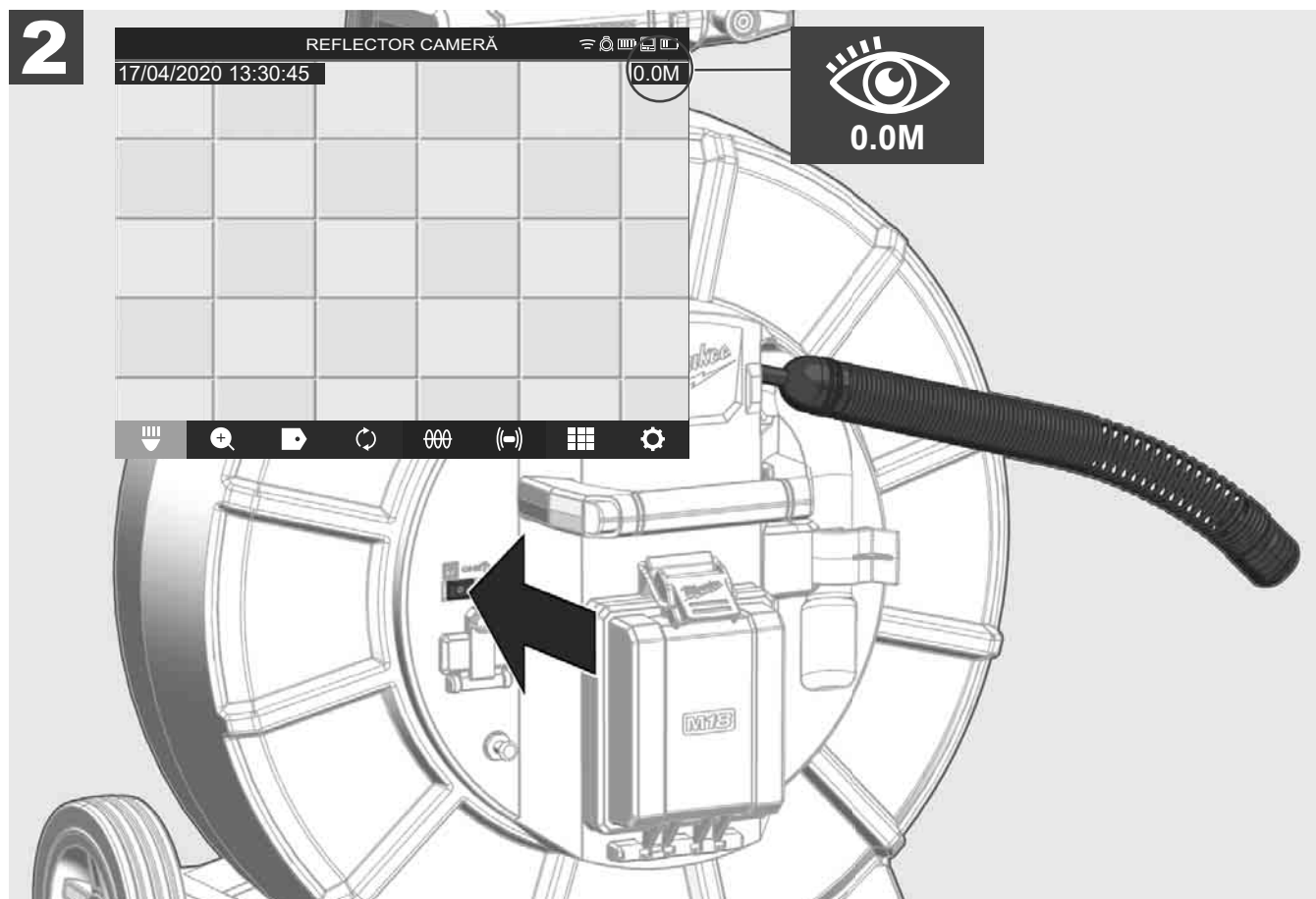
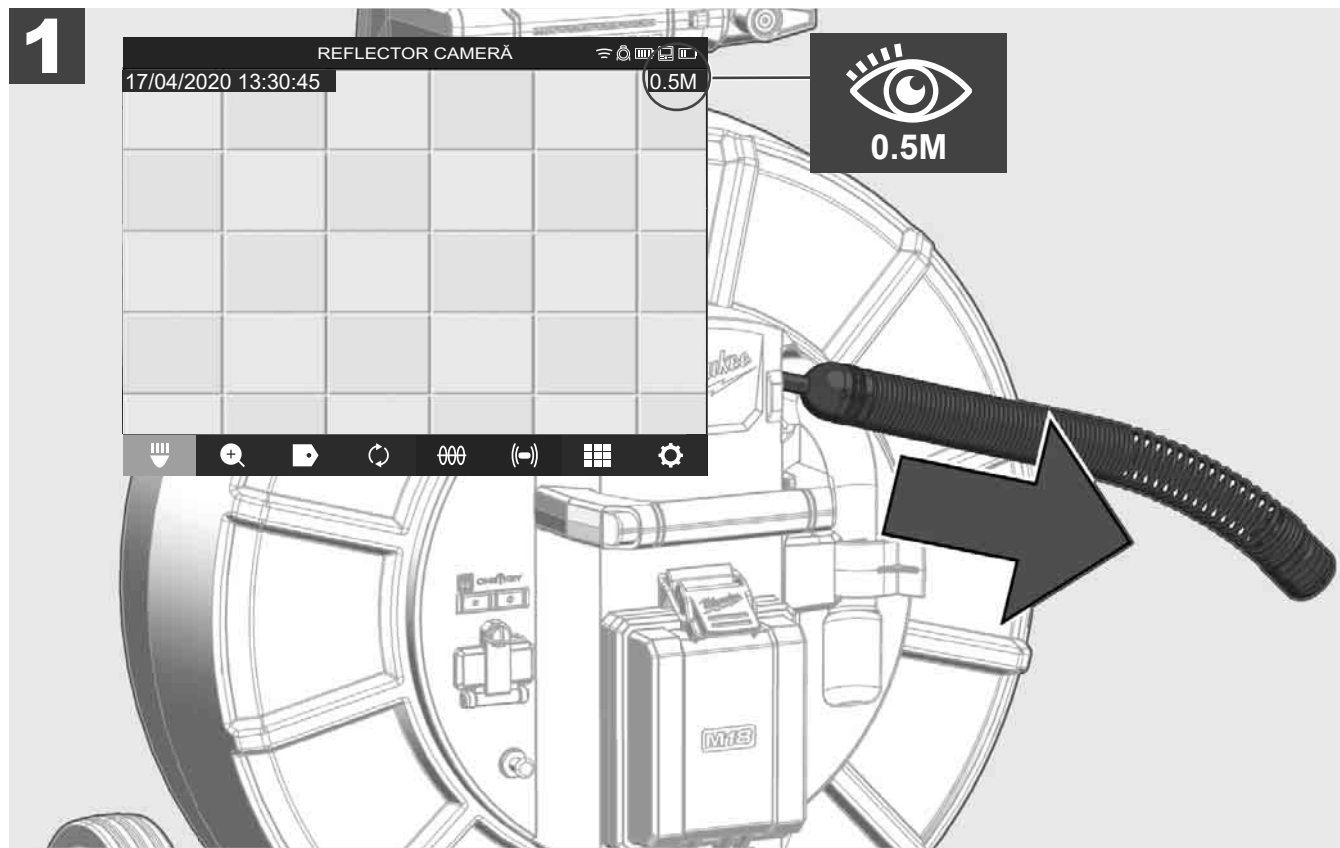


## 2.10 Resetare contor lungimi



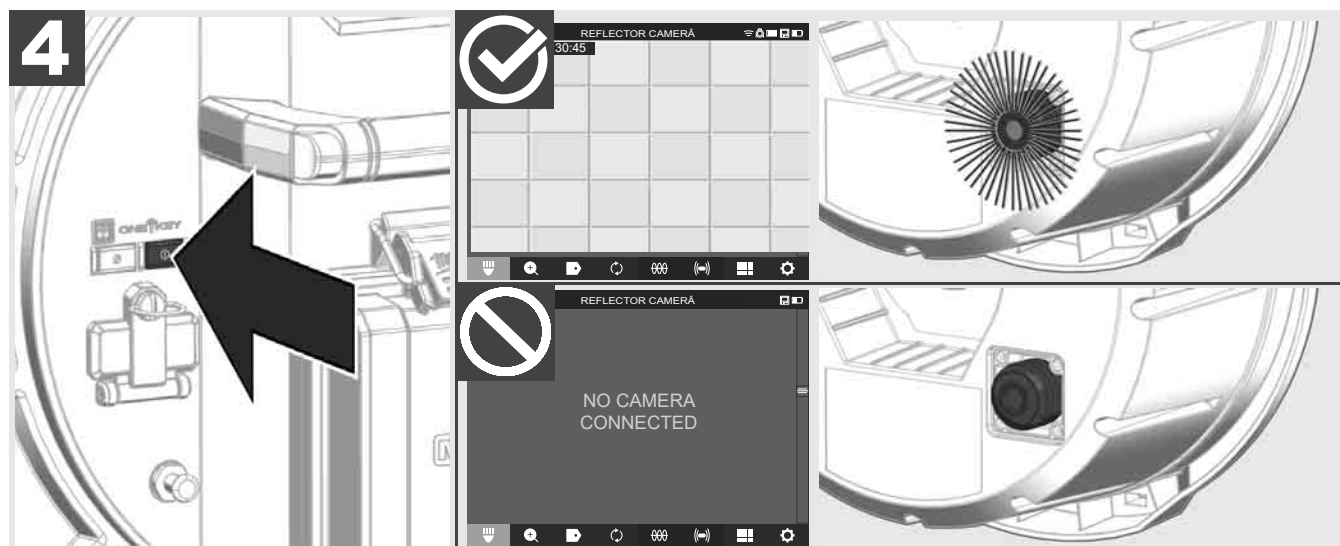
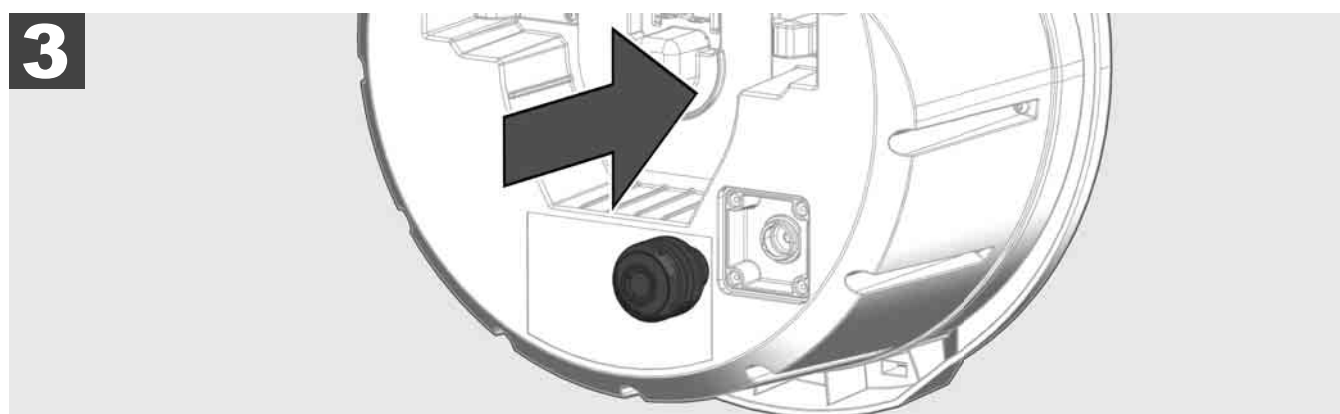
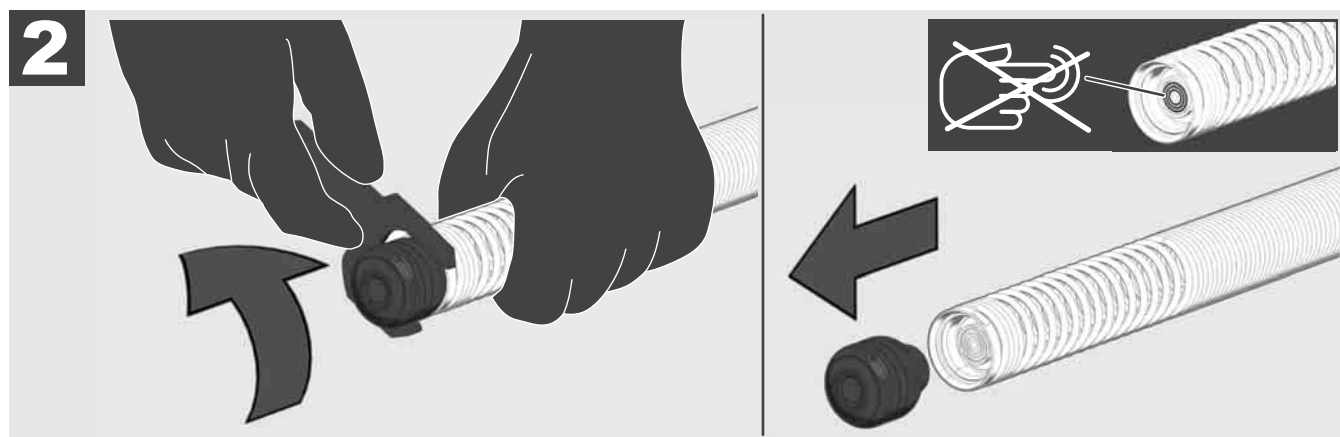
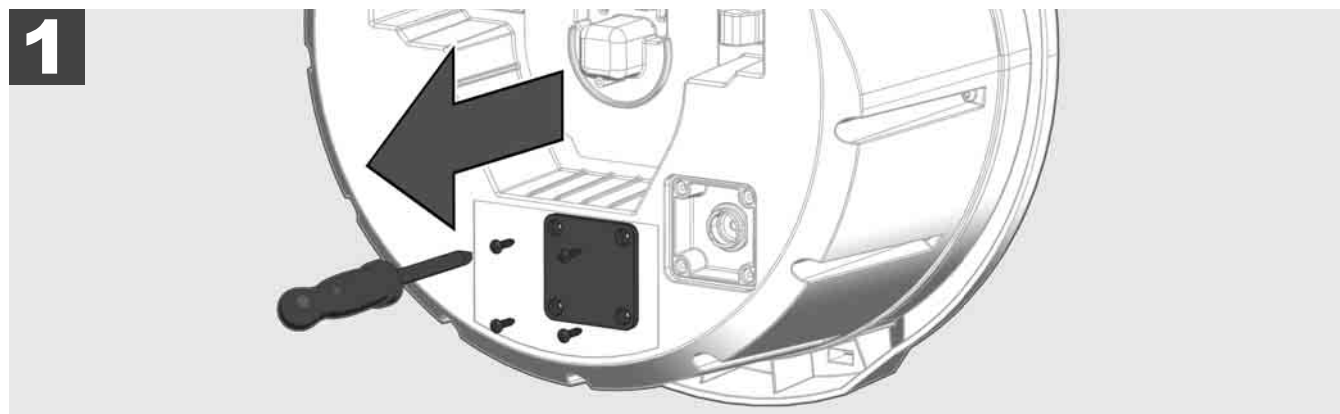
La desfășurarea TAMBURULUI DE INSPECȚIE A ȚEVII, lungimea cablului desfășurat este afișată pe bara de stare a monitorului fără fir M18 SIM.

Pentru a reseta afișajul, apăsați tasta




## 2.11 Port de testare a camerei

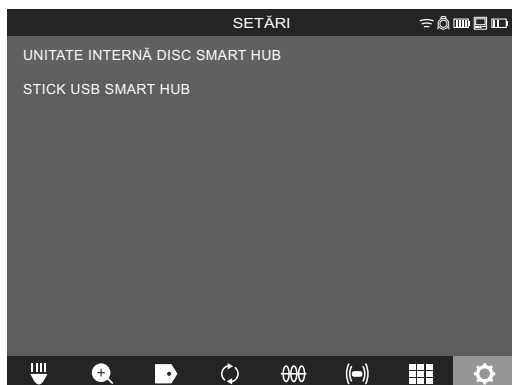
Dacă există probleme cu capul camerei, atunci camera poate fi verificată prin portul de testare a camerei.



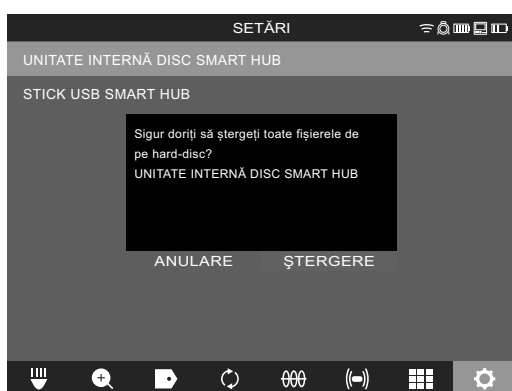
## 2.12 Formatare unitate de disc internă și stick USB

Cu această funcție trebuie să formatați unitatea de disc internă de 500 GB a Smart Hub sau stick-ul USB. Stick-urile USB trebuie formatare în format FAT32.

1. Selectați **SETĂRI**  → **ORMATARE UNITATE DE STOCARE**
2. Selectați unitatea de stocare.



3. Confirmați mesajul pe ecran.




Unitatea de disc selectată este formatată iar sistemul revine la meniul **SETĂRI**.

## 2.13 Setări din fabrică

Alegerea funcției setări din fabrică readuce Smart Hub M18 SISH înapoi la valorile setate din fabrică.

Sunt resetate următoarele setări ale Smart Hub M18 SISH:

- NOTĂRILE sunt șterse.
- Setările VIDEO și FOTO dunt resetate la 1080 P.
- NUMELE FIRMEI este șters.
- FRECVENȚA SONDELOR este resetată la valoarea din fabrică.
- URMĂRIREA CABLULUI este resetată la valoarea din fabrică.
- SETĂRILE ECRANULUI sunt resetate la valorile din fabrică: nuanță, luminozitate, contrast, saturație.
- UNITĂȚI DE MĂSURĂ

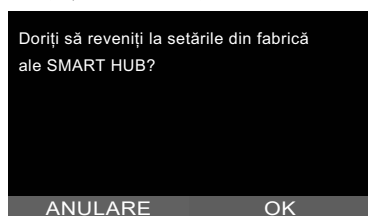
1. Selectați **SETĂRI**  → **SETĂRI DIN FABRICA**



2. Selectați **SETĂRI DIN FABRICA** Smart Hub M18 SISH.



3. Citiți și confirmați mesajul Reset cu OK.



Resetarea la valorile din fabrică este finalizată iar sistemul revine la submeniul **SETĂRI DIN FABRICA**.

## 2.14 Actualizare sistem

Înainte de actualizarea sistemului deschideți meniul **SETĂRI** → **INFO** și notați versiunea de firmware actuală.

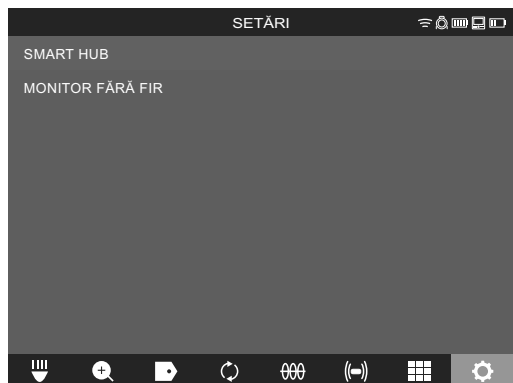
Actualizările Firmware pot fi efectuate fie prin monitorul fără fir M18 SIM sau cu ajutorul unei tablete sau a aplicației Milwaukee® de inspecție a țevilor.

1. Porniți Smart Hub M18 SISH și monitorul fără fir M18SIM sau tableta cu aplicația de inspecție a țevilor Milwaukee®.
2. Asigurați-vă că monitorul fără fir M18 SIM resp. tableta sunt conectate prin WLAN cu Smart Hub M18 SISH. Dacă nu există o conexiune WLAN- aceasta trebuie stabilită mai întâi.
3. Introduceți stick-ul USB cu actualizarea Firmware în portul USB-A al Smart Hub M18 SISH.

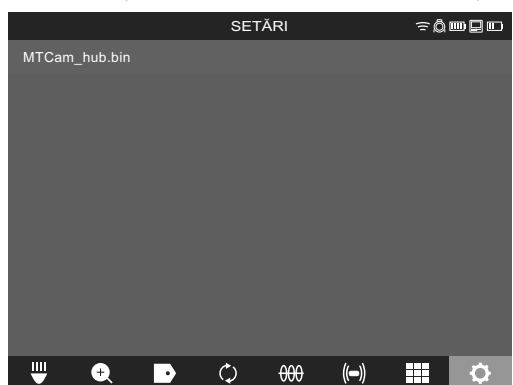
4. Selectați **SETĂRI** → **ACTUALIZARE SISTEM**



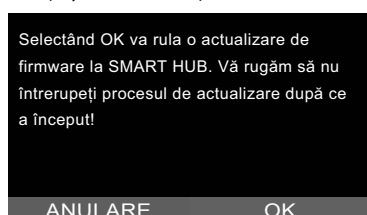
5. Selectați Smart Hub M18 SISH.



6. Numele fișierului de actualizare este afișat pe ecran. Selectați **NUME FIȘIER** pentru a începe actualizarea.

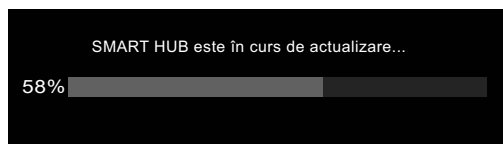


7. Citiți și confirmați mesajul de avertizare cu OK.

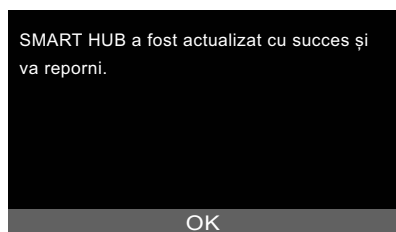


8. Pe o bară de progres se afișează desfășurarea actualizării.





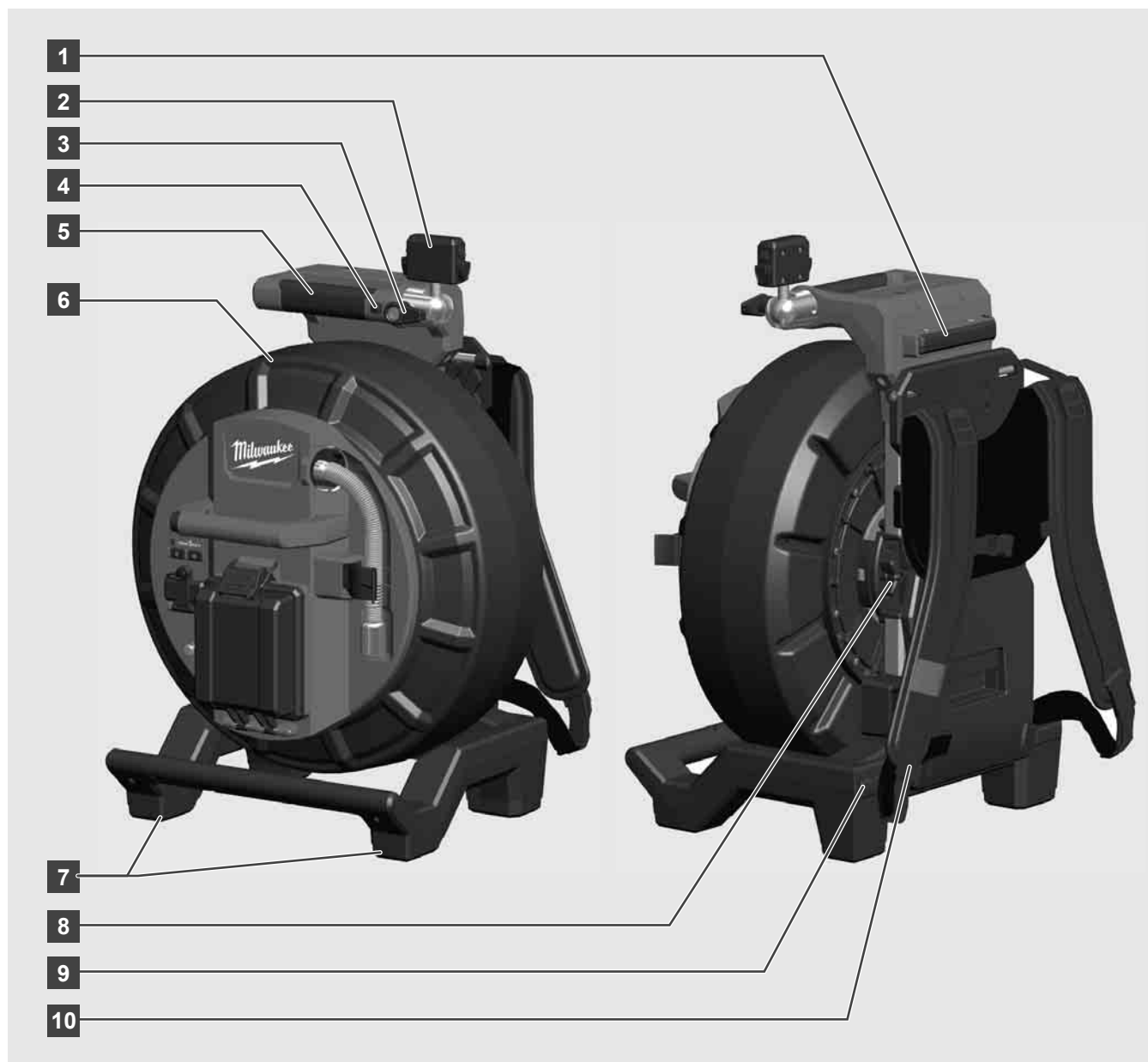
9. La finalul actualizării se afișează un mesaj care trebuie confirmat. Selectați OK, pentru a reporni sistemul.



10. Selectați **SETARI** → **INFO**, pentru a verifica dacă versiunea Firmware a fost actualizată.

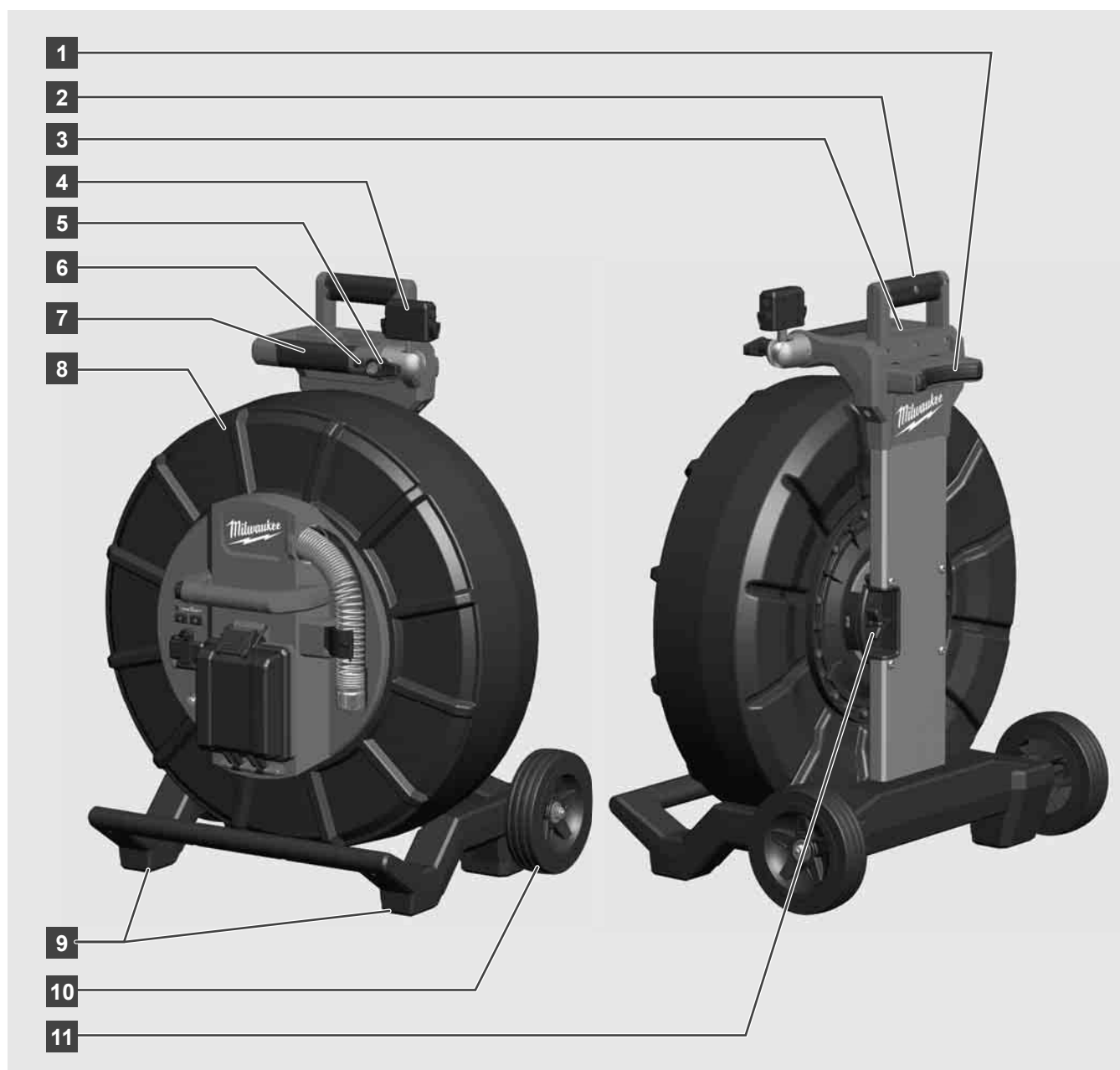
### 3 TAMBURI DE INSPECȚIE A ȚEVILOR

#### 3.1 Vedere de ansamblu tambur de inspecție a țevelor M18 SIC36



- 1 Picior de reglare pentru utilizarea orizontală
- 2 Monitor fără fir M18 SIM – suport tabletă și racord
- 3 Monitor fără fir M18 SIM – blocaj rotativ
- 4 Monitor fără fir M18 SIM – blocaj basculant
- 5 Mâner
- 6 Tambur de cablu cu cablu de tracțiune
- 7 Picior de reglare pentru utilizarea verticală
- 8 Frână tambur de cablu
- 9 Picior de reglare pentru utilizarea orizontală
- 10 Dispozitiv de purtare

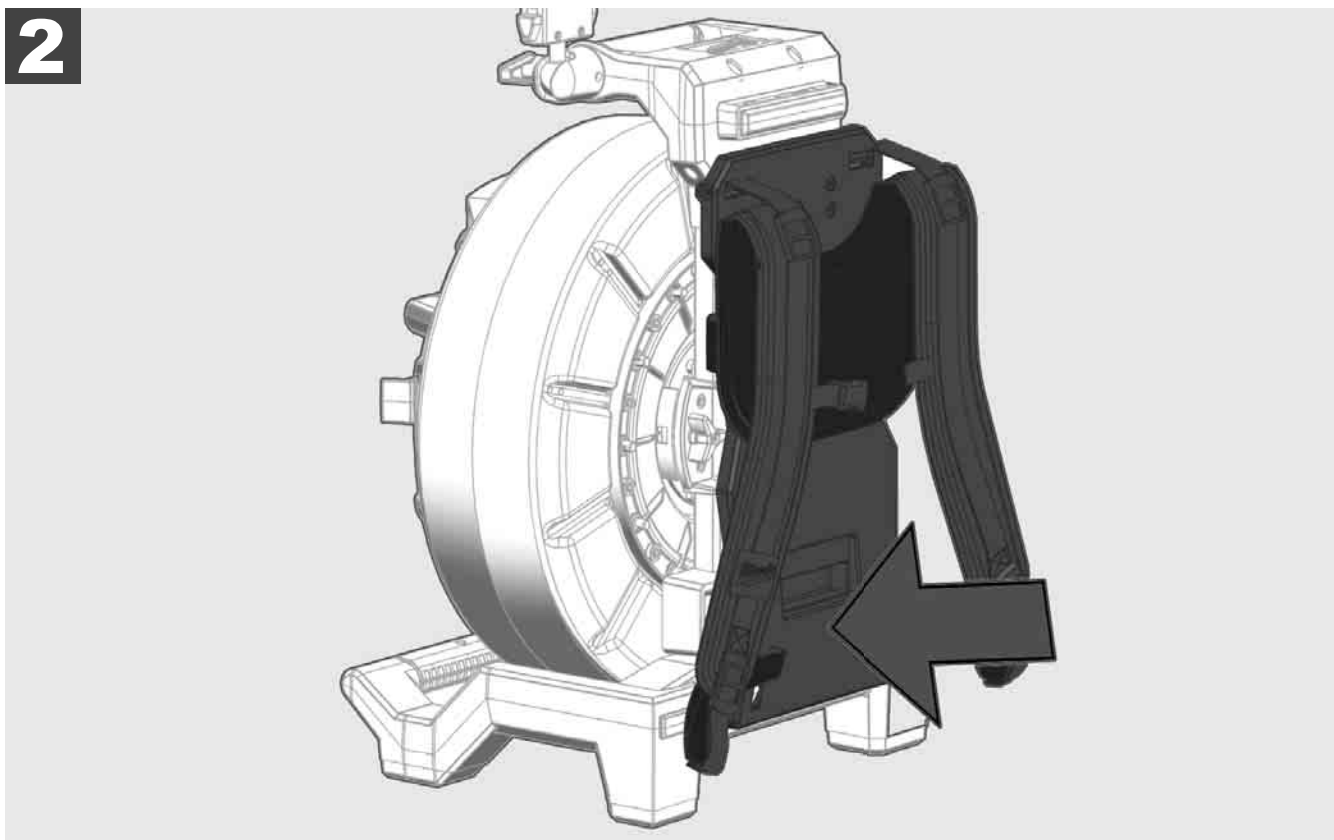
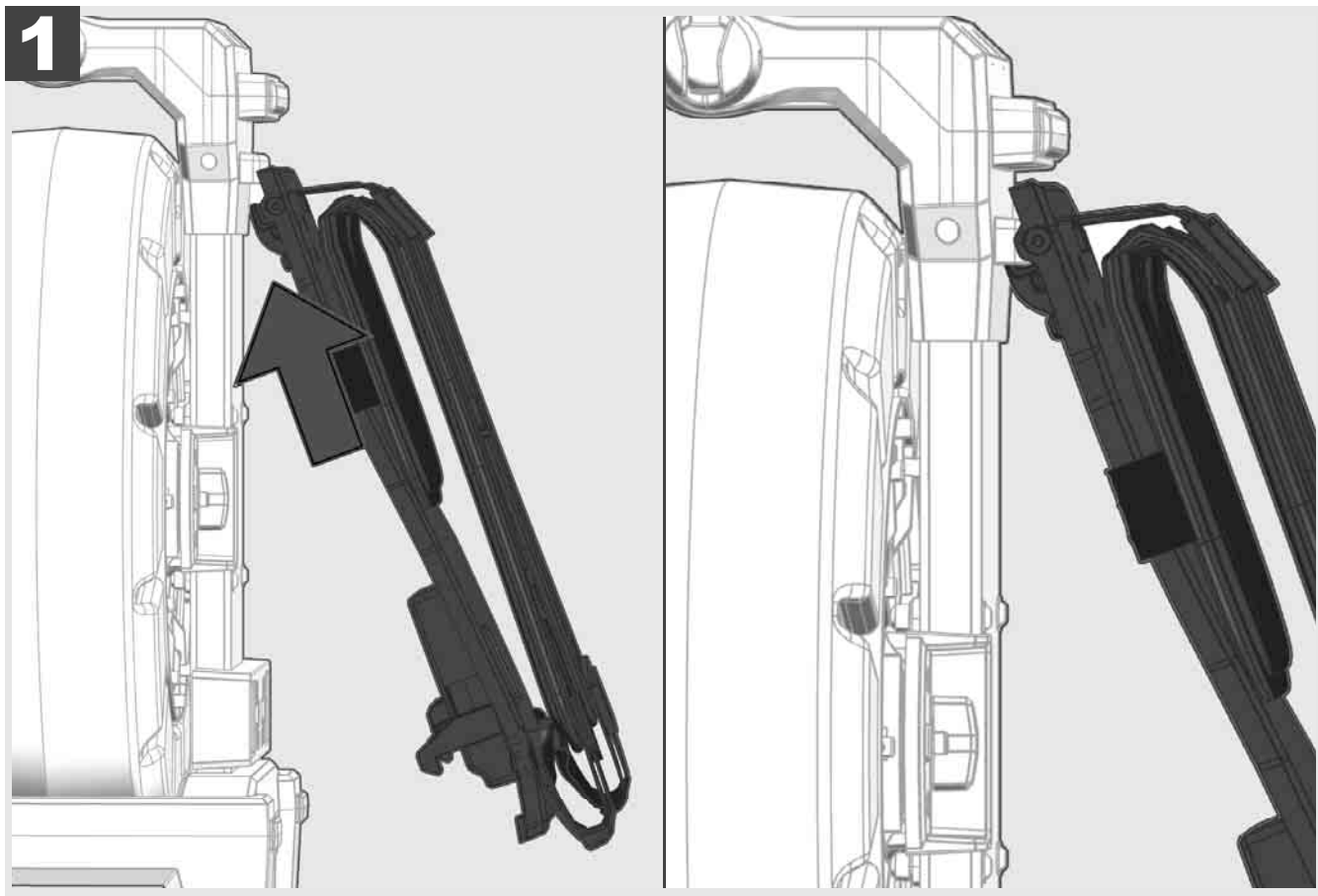
### 3.2 Prezentare generală tambur de inspecție a țevelor M18 SIC60



- 1 Picioar de reglare pentru utilizarea orizontală
- 2 Mâner extensibil (în poziție inserată)
- 3 Tastă pentru blocarea și deblocarea mânerului extensibil
- 4 Monitor fără fir M18 SIM – suport / suport tabletă și racord
- 5 Monitor fără fir M18 SIM – siguranță rotativă
- 6 Monitor fără fir M18 SIM – siguranță basculantă
- 7 Mâner
- 8 Tambur de cablu cu cablu de tracțiune
- 9 Picioar de reglare pentru utilizarea orizontală
- 10 Roți
- 11 Frână tambur de cablu

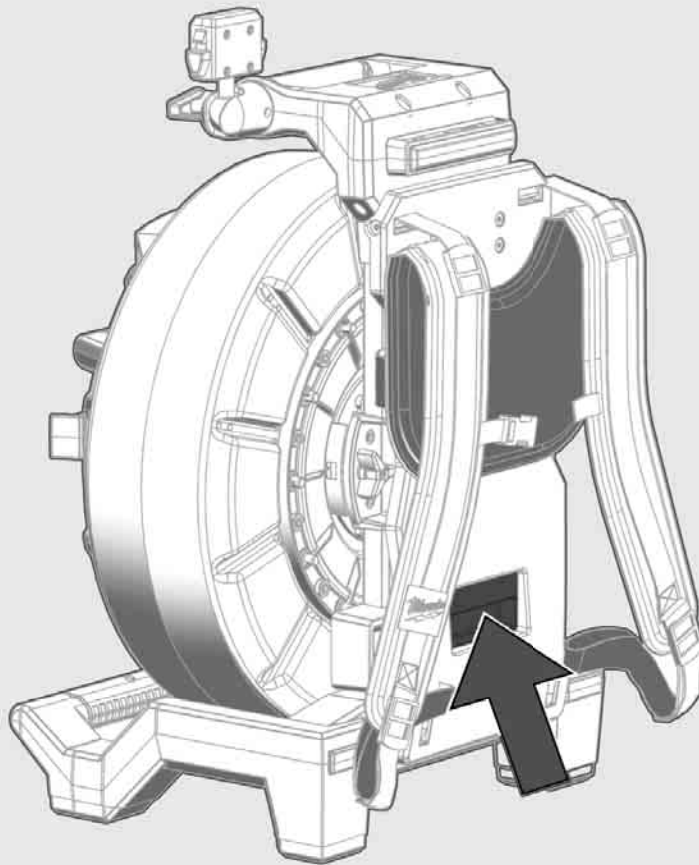
### 3.3 Instalarea dispozitivului de purtare

TAMBURUL DE INSPECȚIE A ȚEVILOR M18 SIC36 este echipat cu un dispozitiv de purtare cu ajutorul căruia tamburul poate fi purtat pe spate, ca un rucsac. Astfel, tamburul mic poate fi purtat cu ușurință la locul de utilizare, ceea ce este extrem de practic mai ales la urcarea treptelor sau la folosirea scărilor.

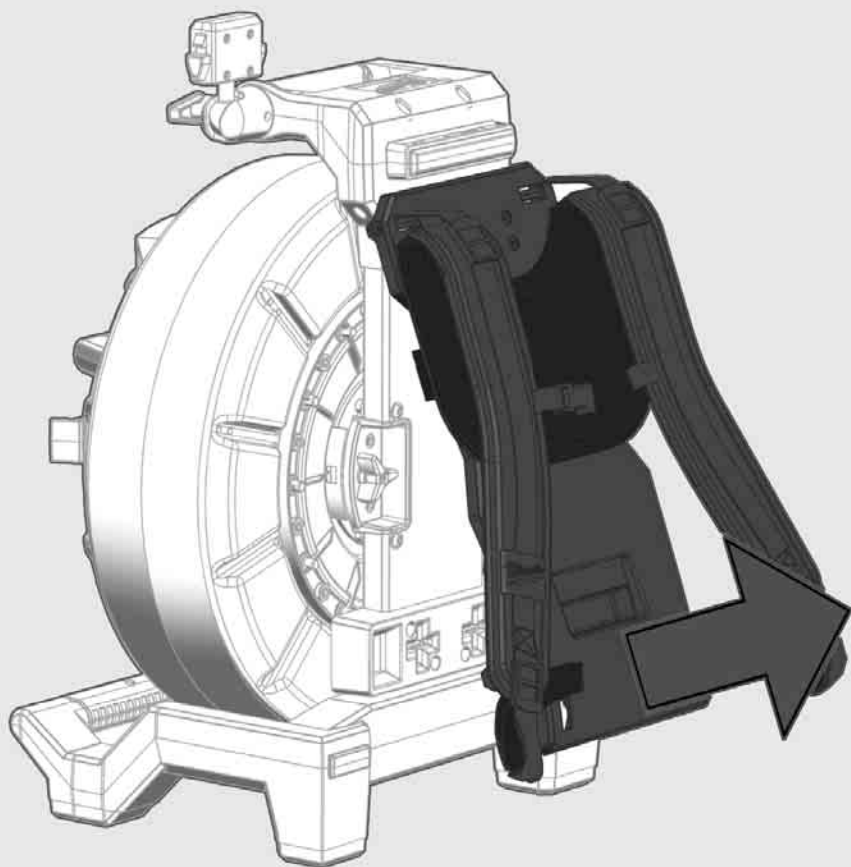


Agățați dispozitivul de purtare în partea de sus și presăți cu palmele pe partea inferioară, până când acesta se cuplează. Trageți ușor de dispozitivul de purtare pentru a vă asigura că este cuplat corect.

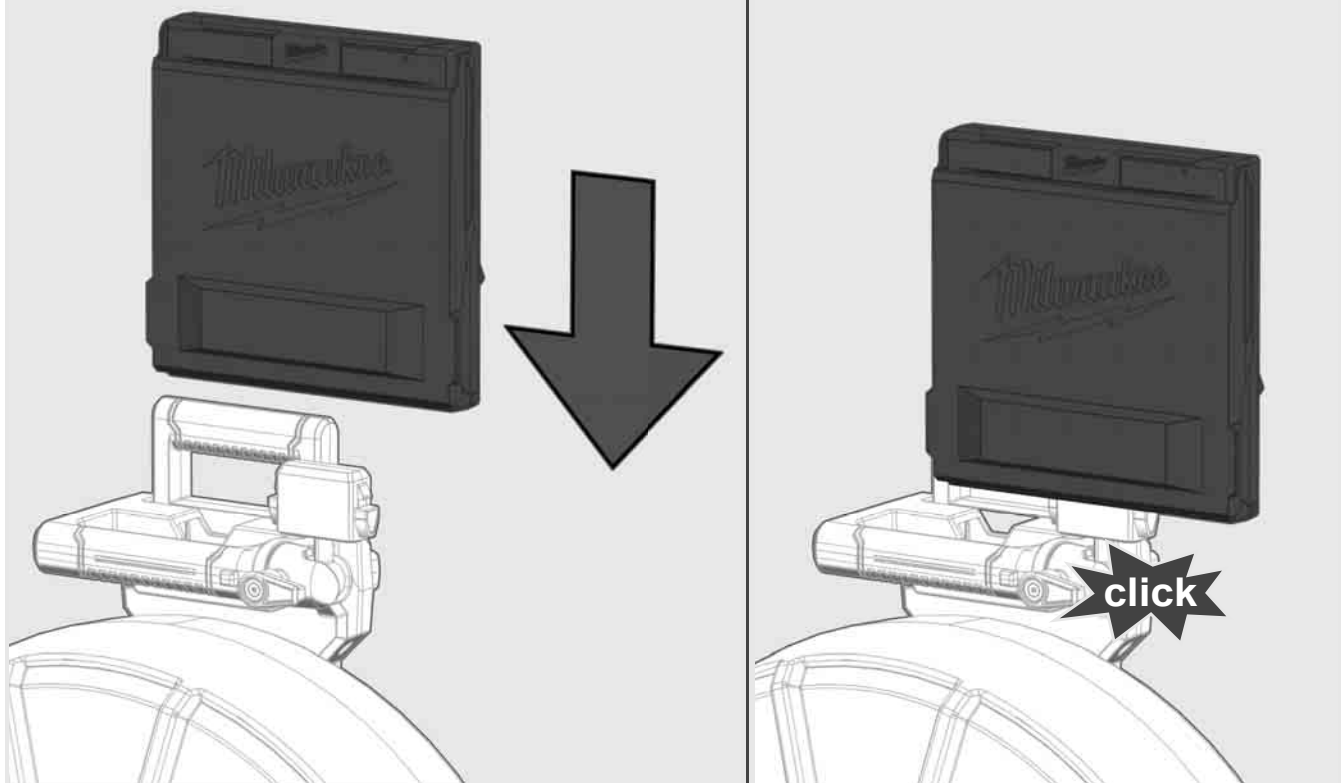
**1**



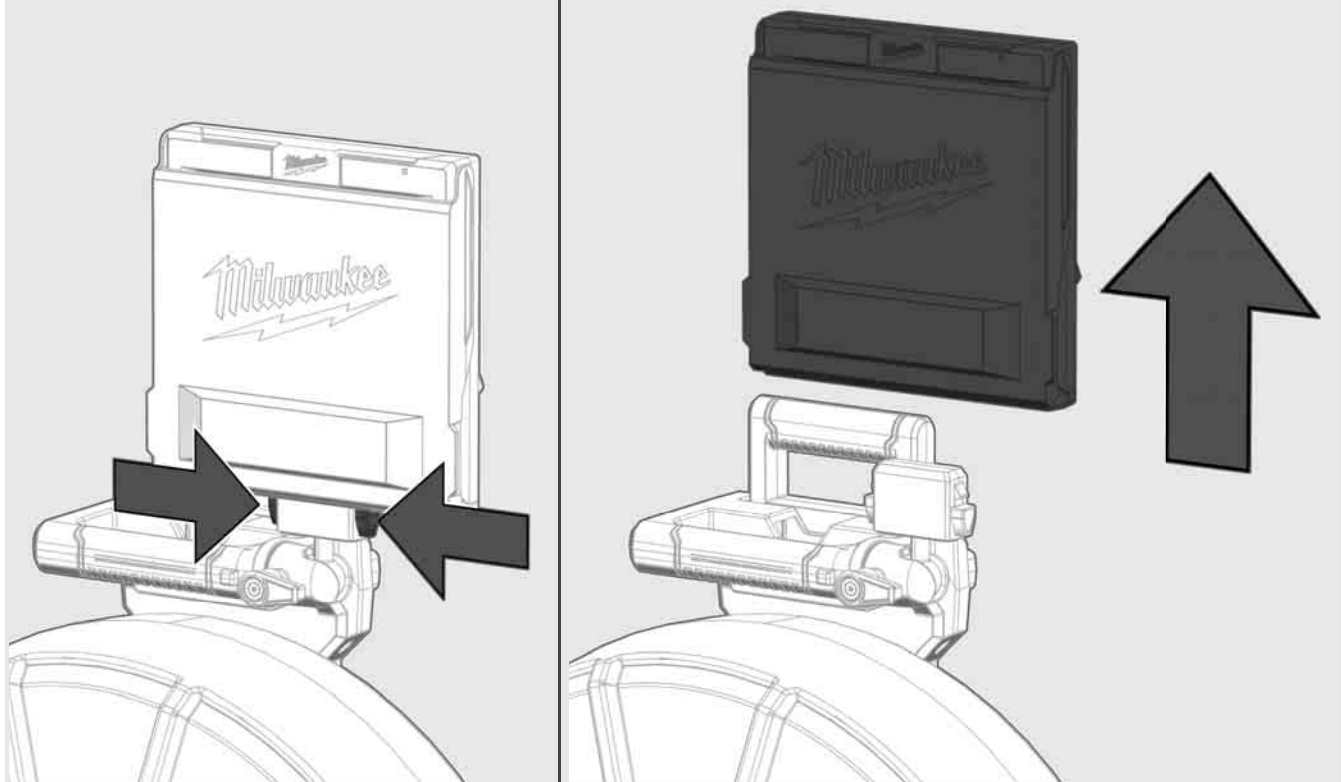
**2**

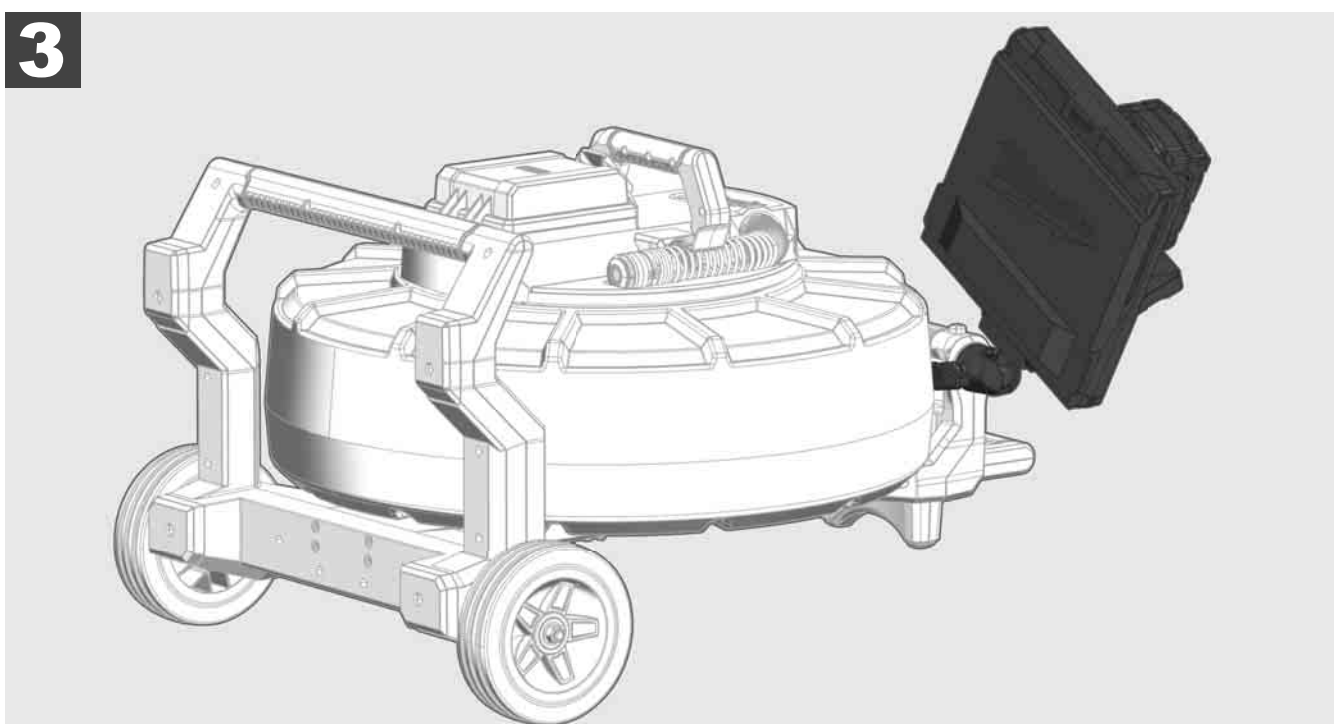
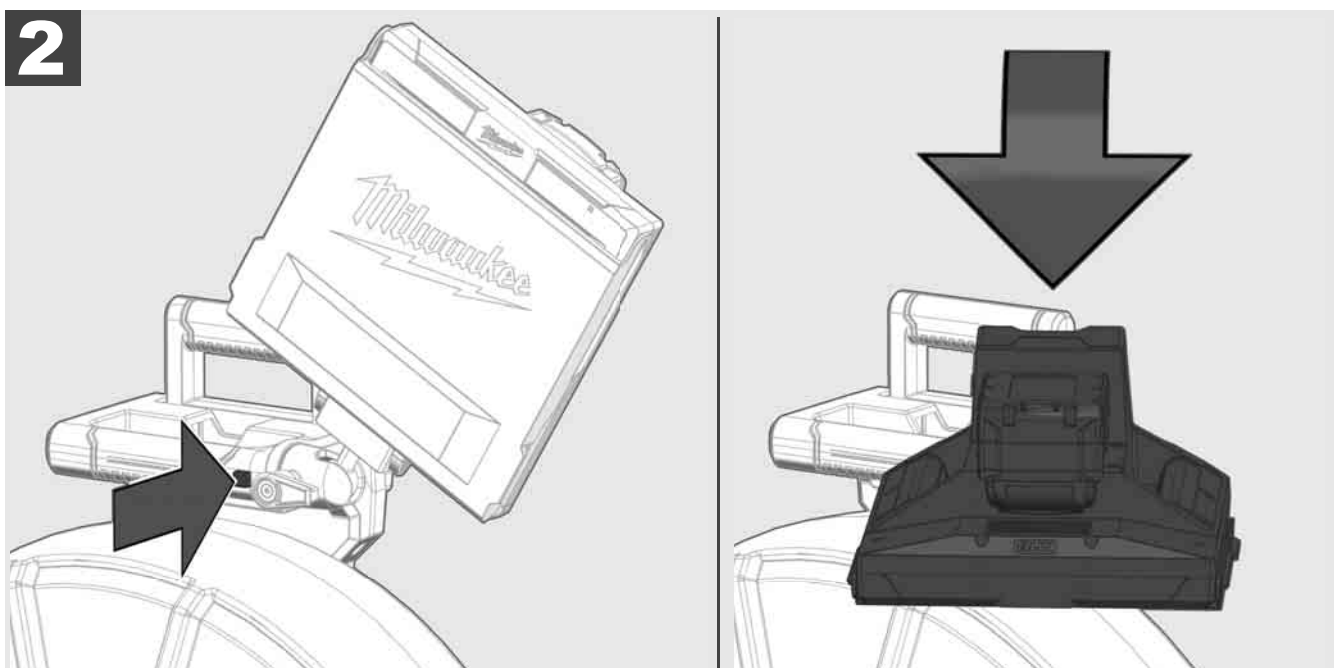
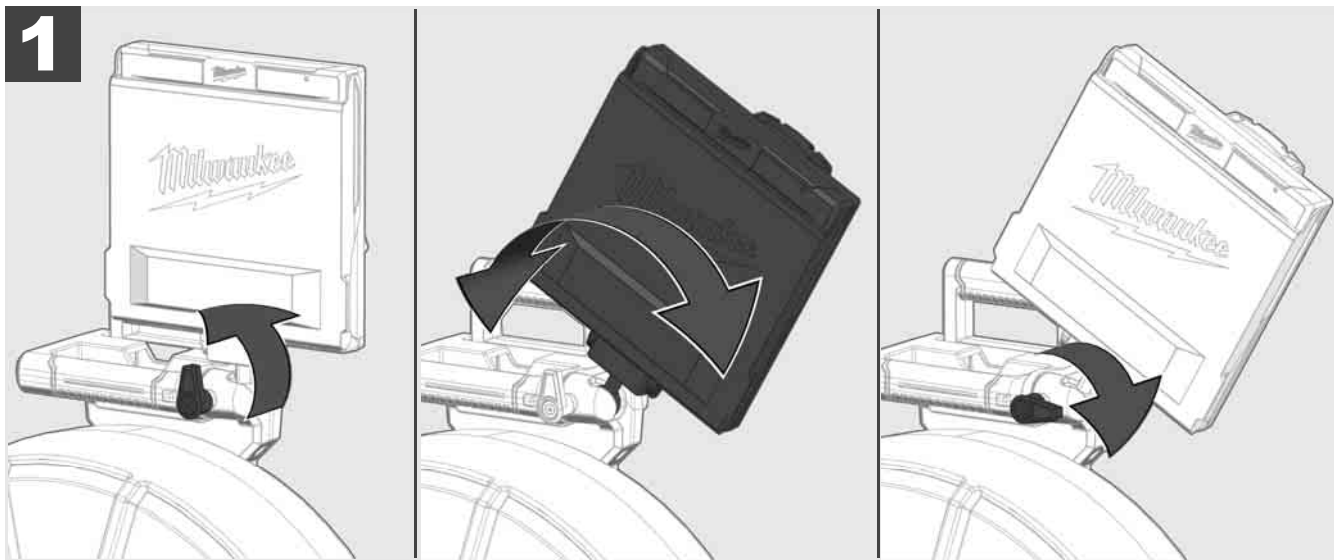


**1**



**2**





### 3.7 Utilizarea tamburului de inspecție a țevilor



Controlați cablul de tracțiune în ceea ce privește urmele de uzură – La înfășurare examinați cablul pentru a nu prezenta tăieturi, flambaje sau eroziuni. Atunci când învelișul exterior este atât de uzat încât se observă țesătura galbenă sau albă din Kevlar, cablul de tracțiune trebuie înlocuit. La utilizarea unui cablu de tracțiune cu învelișul deteriorat există riscul de pătrundere a apei și umidității, ceea ce poate afecta calitatea înregistrărilor realizate cu camera sau chiar defectarea camerei.

Următoarea figură ilustrează exemple de învelișuri deteriorate grav. Aceste cabluri de tracțiune trebuie înlocuite imediat.

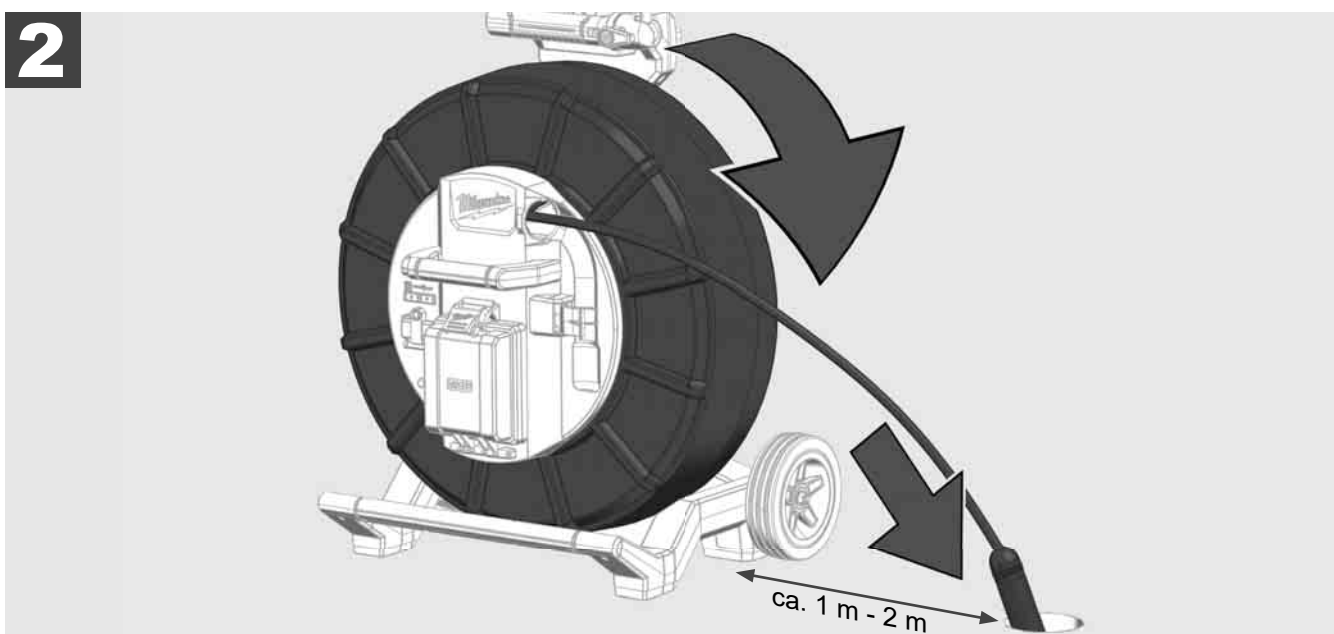
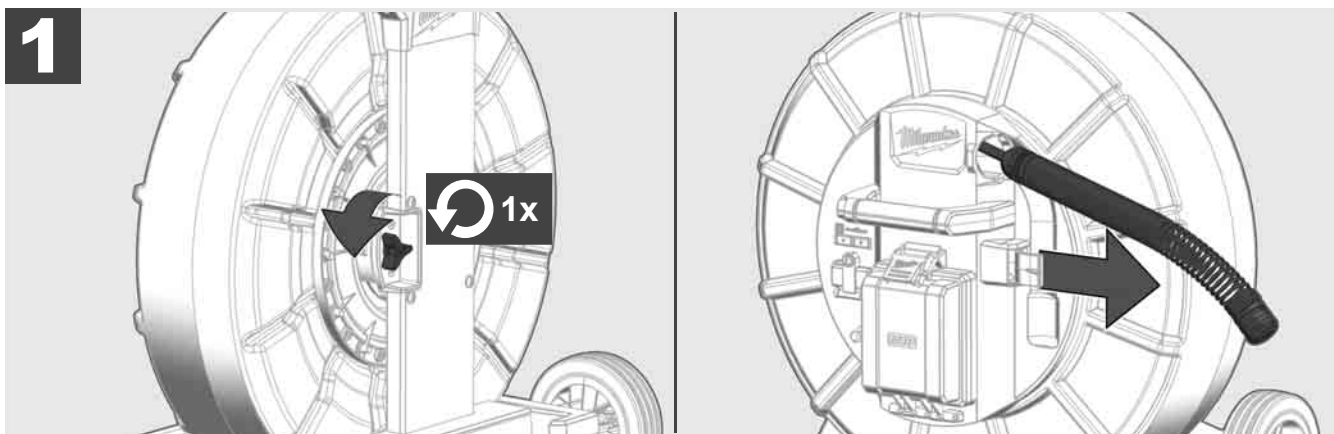


Cablul de tracțiune și modulul constructiv cu resort trebuie menținute mereu în stare uscată și curată – La înfășurare curățați mereu cablul cu o cârpă curată și uscată. La terminarea programului de lucru curățați temeinic capul camerei și resortul sub jet de apă pentru a elimina resturile de impurități. Scuturați pentru a elimina surplusul de apă sau suflați cu aer comprimat cu presiune joasă, apoi uscați componentele. Capul camerei, cablul de tracțiune și piesele de racordare sunt expuse unor substanțe chimice agresive în timpul utilizării. Curățarea temeinică a sistemului prelungeste durata de viață a acestor piese.

Tratați cu atenție cablul de tracțiune – Nu trageți cablul din tamburul blocat. În caz contrar cablul se comprimă în tambur și este solicitat excesiv. Tragerea înapoi a cablului de tracțiune în tamburul blocat însă poate duce la bascularea rolei sau la flambarea cablului.

Plasați tamburul la circa 1 până la 2 metri distanță de punctul de intrare, pe o suprafață netedă. Astfel rămâne suficient loc pentru manevrarea cablului, fără a trage buclele de cablu pe sol. Eventual acționați frâna cu frecare, pentru a încetini mișcarea cablului de tracțiune.

Dacă tamburul este utilizat în poziție orizontală, suprafața dintre picioarele de sprijin este mai mare. Astfel tamburul are o poziție mai stabilă pe teren denivelat iar înălțimea este redusă, ceea ce poate fi un avantaj în condiții de spațiu limitat.





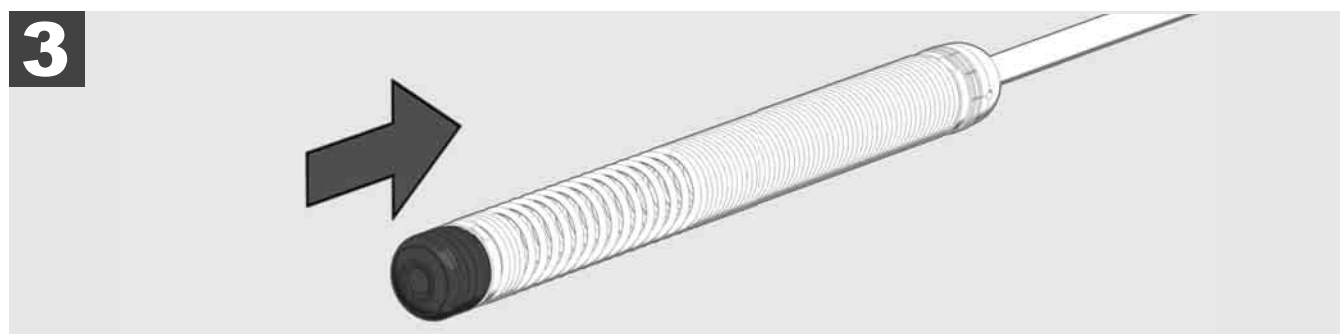
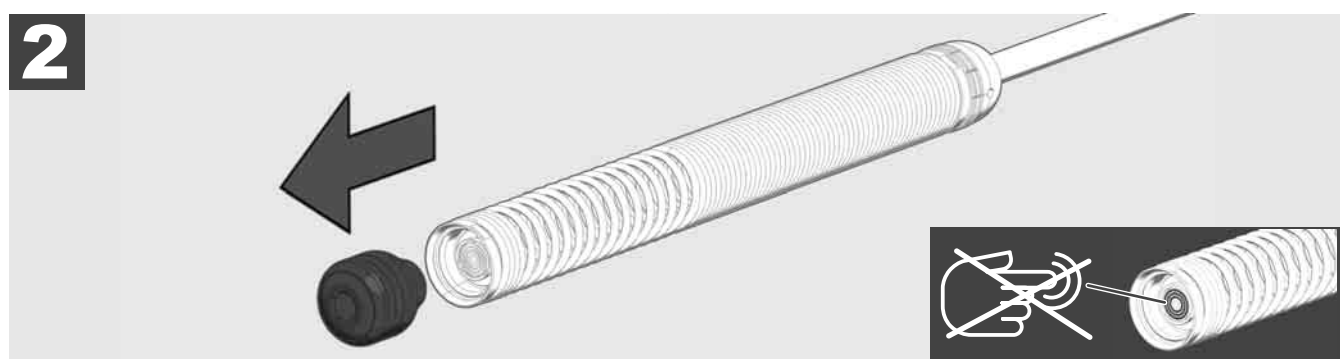
### 3.8 Grup constructiv cap camera



Placa verde cu circuite sau contactele de aur de pe modul constructiv cu arc precum și capul camerei nu se vor atinge, pe cât posibil, cu mâinile goale. Prin contactul direct, particulele de grăsime de pe degete pot fi transferate pe aceste obiecte, ceea ce accelerează coroziunea acestora. Dacă este posibil, purtați mănuși de protecție curate și uscate.

Înainte de demontare ștergeți uscat capul camerei și îndepărtați resturile de impurități care se pot acumula în zona de racordare a camerei.

Nu strângeți prea tare și nu aplicați o forță exagerată!



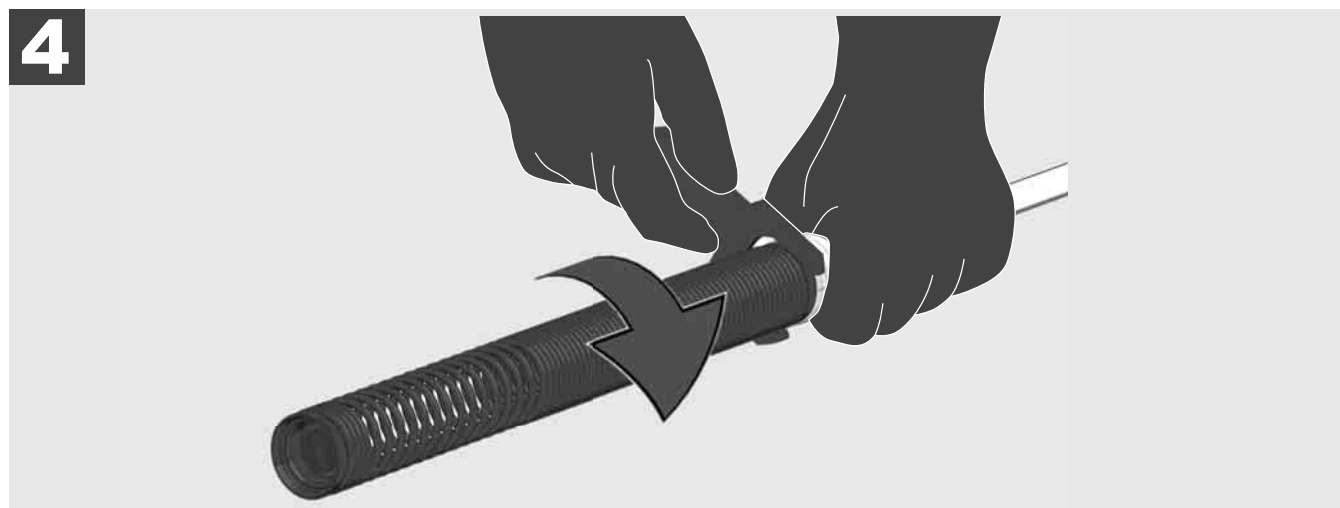
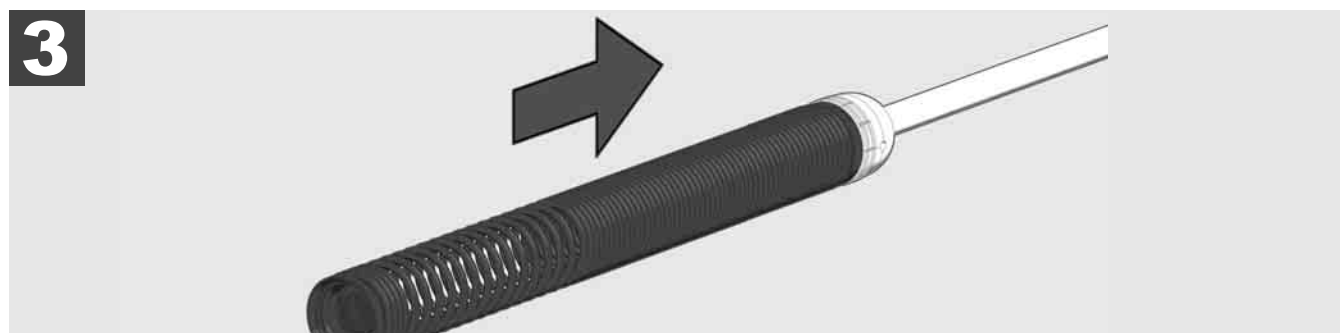
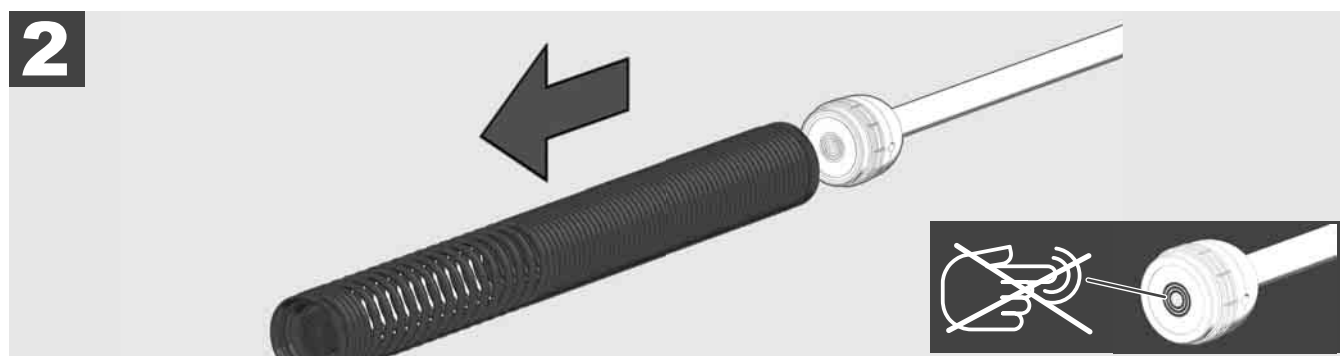
### 3.9 Federgruppe



Placa de circuite de culoare verde sau contactele de aur de pe modul constructiv cu resort nu trebuie atinse, pe cât posibil, cu mâinile goale. În caz contrar, particulele de grăsime de pe degete pot fi transferate pe aceste componente, ceea ce le accelerează coroziunea. Purtați, după posibilități, mănuși curate din cauciuc.

După demontare, ștergeți capul camerei cu o cârpă uscată și îndepărtați resturile de impurități, care ar putea pătrunde în zona de racordare a camerei.

Nu strângeți prea tare și nu folosiți forță excesivă!



### 3.10 Capac de protecție a camerei

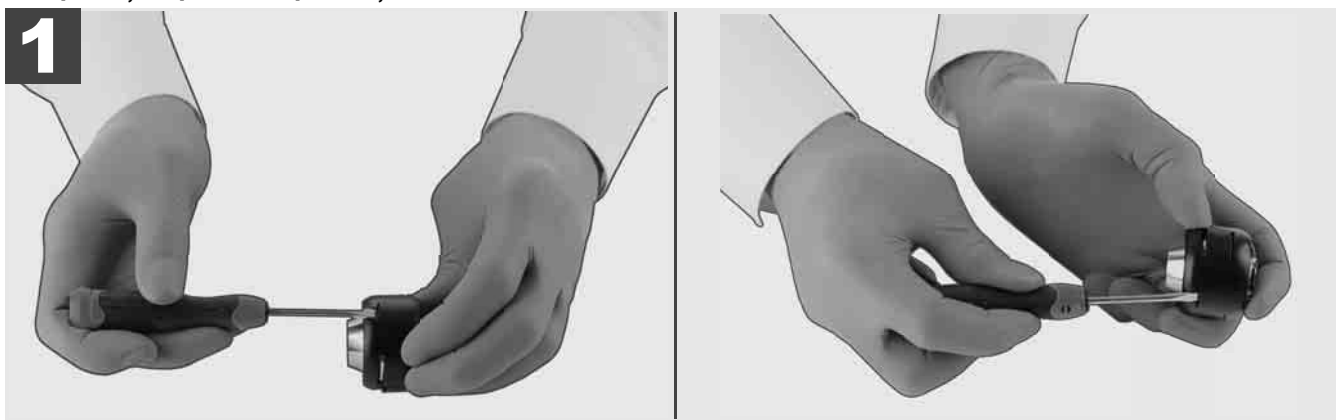


Capace de protecție – Adecvate pentru capetele de cameră cu diametrul de 25 mm resp. 34 mm. Aceste capace de protecție sunt livrate împreună cu toți TAMBURII DE INSPECȚIE PENTRU ȚEVI sau capete de cameră de schimb.

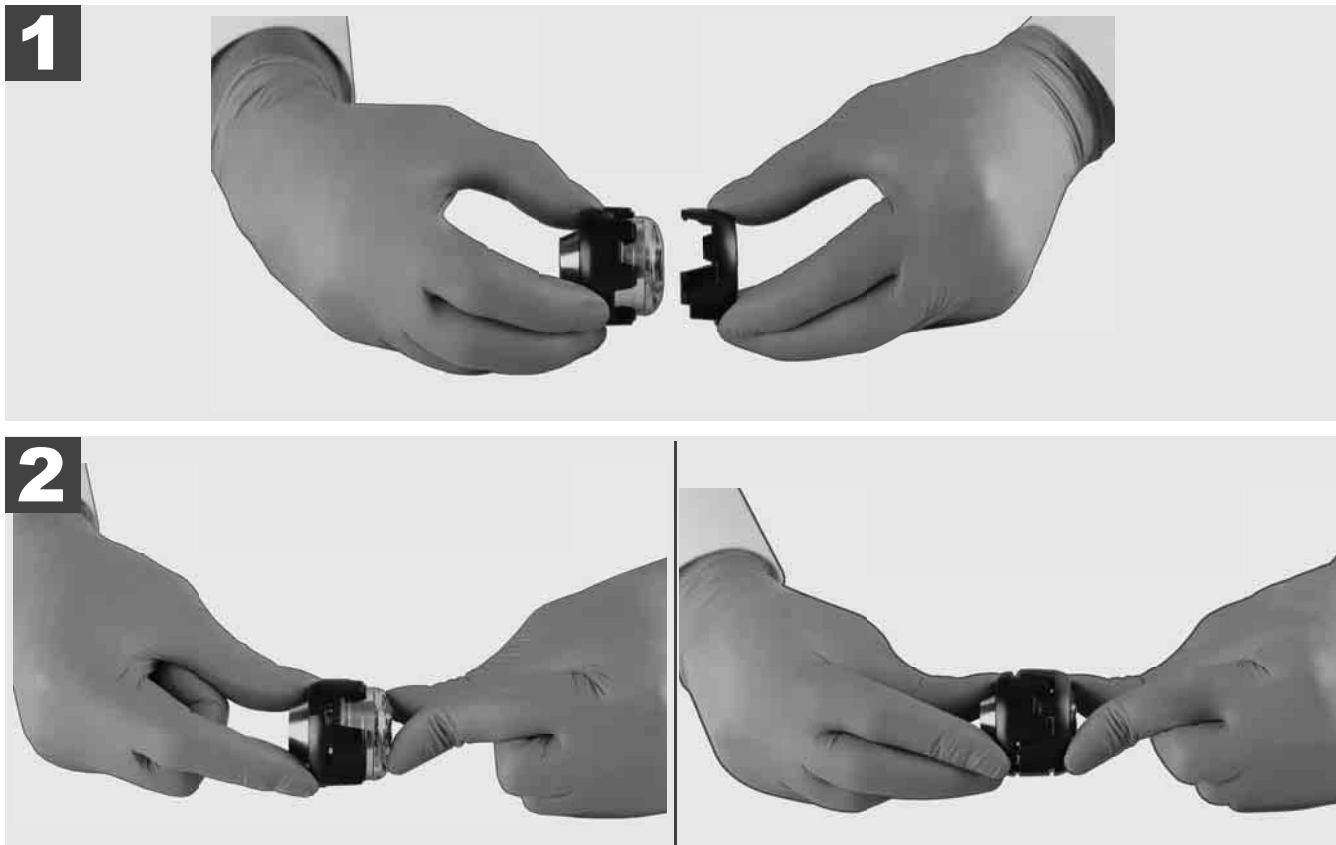
Ghidaje – Acestea sunt plasate pe modulul constructiv cu resort, pentru a ghida capul de cameră la o anumită distanță față de fundul țevii, fără a veni în contact cu țeava.



#### Îndepărtați capacul de protecție



#### Instalați capacul de protecție



### 3.11 Ghidaje cameră



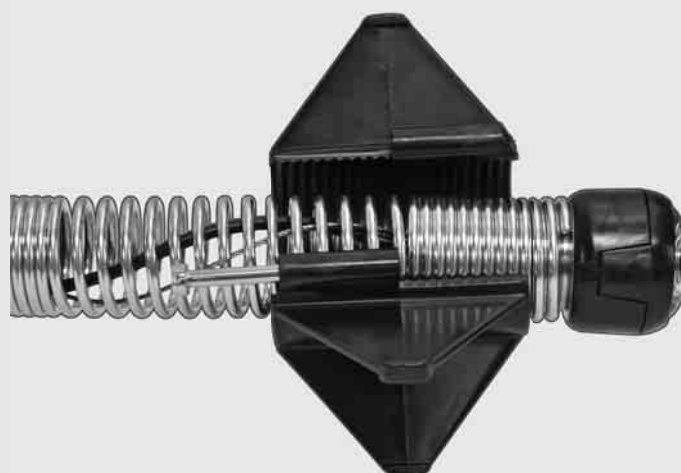
Pentru capetele de cameră de 25 mm resp. 34 mm diametru sunt disponibile două ghidaje: o variantă mică de 75 mm și o variantă medie de 100 mm.

Ghidaj cameră 25 mm

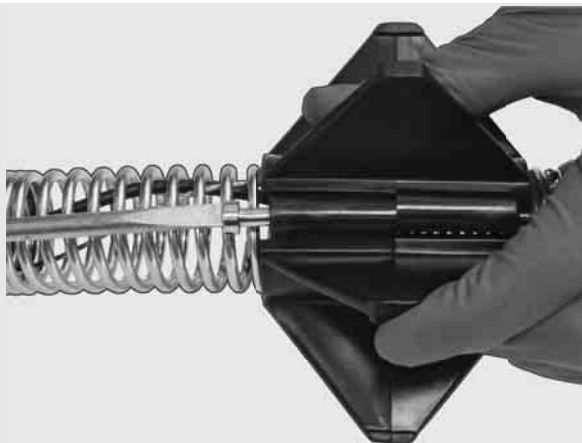
Ghidaj cameră 34 mm



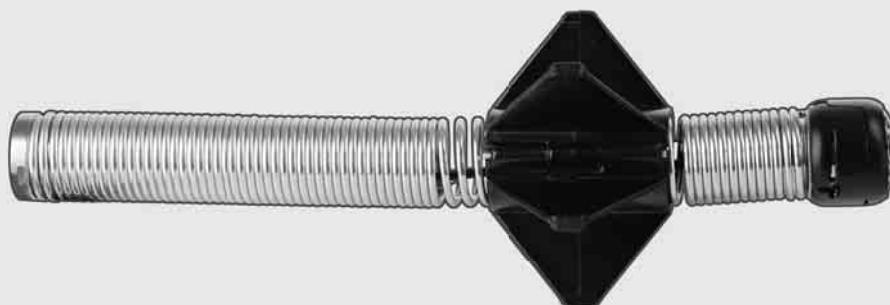
**1**



**2**



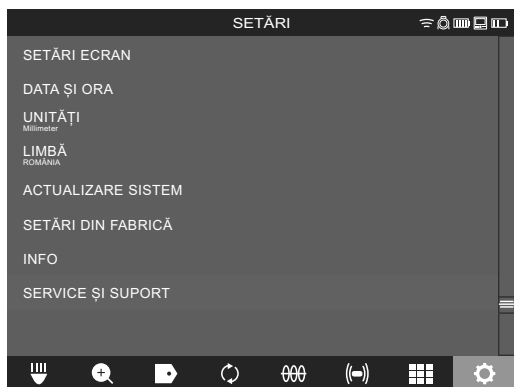
**3**



### 3.12 Service și asistență


În cazul în care SISTEMUL DE INSPECȚIE A ȚEVILOR trebuie reparat, de la punctul SERVICE ȘI ASISTENȚĂ ajungeți la pagina de service pentru uneltele Milwaukee, unde sunt afișate toate numerele de telefon importante.

Selecționați **SETARI**  → **SERVICE ȘI ASISTENȚĂ**




**Milwaukee**  
Nothing but **HEAVY DUTY**®

click →



**M18 SIC36**  
**M18 SIC60**  
**M18 SISH**

click →



**M18 SIM**

click

1	Генерални упатства .....	2
1.1	Посебни прописи за безбедност на системите за проверка на цевки .....	2
1.2	Други безбедносни и работни упатства .....	2
1.3	Технички податоци .....	3
1.4	Наменска употреба .....	3
1.5	Барања за радиофреквенција поврзани со европски инсталации.....	3
1.6	ЕК-Декларација за сообразност .....	4
1.7	ONE-KEY™ .....	4
1.8	БАТЕРИИ.....	4
1.9	Транспорт на литиум-јонски батерии .....	4
1.10	Одржување .....	5
1.11	Симболи .....	5
2	SMART HUB M18 SISH .....	6
2.1	Преглед на SMART HUB M18 SISH.....	6
2.2	Вметнување и отстранување на батеријата.....	7
2.3	Проверка на набојот на батеријата.....	8
2.4	Вметнување на Smart Hub M18 SISH .....	9
2.5	Отстранување на Smart Hub M18 SISH .....	10
2.6	Прекинувач за вклучување/исклучување .....	11
2.7	Поврзување на мониторот.....	12
2.8	USB-порти.....	13
2.9	Прачка за заземјување .....	14
2.10	Ресетирање на бројачот на должината на кабелот .....	15
2.11	Врска за тестирање на камерата .....	16
2.12	Форматирање на внатрешната податочна единица и на USB-мемориското стапче .....	17
2.13	Фабрички поставки.....	18
2.14	Ажурирање на системот .....	19
3	МАКАРА ЗА ПРОВЕРКА НА ЦЕВКИТЕ .....	21
3.1	Преглед на макарата за проверка на цевките M18 SIC36 .....	21
3.2	Преглед на макарата за проверка на цевките M18 SIC60 .....	22
3.3	Инсталирање на носачот .....	23
3.4	Отстранување на носачот .....	24
3.5	Инсталирање на безжичниот монитор M18 SIM .....	25
3.6	Поставување на безжичниот монитор M18 SIM .....	26
3.7	Употреба на макарата за проверка на цевките .....	27
3.8	Модул на главата на камерата .....	28
3.9	Модул на пружината .....	29
3.10	Поклопец за заштита на камерата .....	30
3.11	Водилки за камера .....	31
3.12	Сервис и поддршка .....	32

## 1.1 Посебни прописи за безбедност на системите за проверка на цевки

Кога работите во цевки внимавајте, цевките да не бидат под напон или да не се напојуваат со електрична енергија. Цевките не смеат да содржат течност. Камерата и апаратот не смеат да дојдат во контакт со течност.

Камерата и кабелот не смеат да дојдат во контакт со масло, гас или други материјали што предизвикуваат корозија.

За да се намали ризикот од експлозија, електричен удар или материјална штета, пред да се почне со работа да се провери работното подрачје. Кабелот не смее да дојде во контакт со електрични компоненти, хемикалии или подвижни делови.

За да се намали ризикот од оштетување на апаратот, да не се употребува прекумерна сила и да не се свиткува кабелот. Камерата за инспекција и кабелот да не се употребуваат во подрачја, каде што би можеле да дојдат во контакт со нагривачки и масни супстанции.

Кабелот да не се употребува за отстранување на затнувања или препреки. Ова не е чистач на цевки!

Ако одводната цевка што треба да се провери содржи хемикалии, бактерии или други токсични супстанции на пр. предизвикувачи на инфекции, тогаш користете ракавици од латекс или гумени ракавици и заштитни очила, штитник за лице, заштитна облека и маска за дишење, препорачани од производителот. Цевките може да содржат хемикалии, бактерии или други супстанции, кои може да бидат токсични или да предизвикаат инфекции, кои пак може да доведат до изгореници со киселина или до други тешки повреди.

Придржувајте се до добрата хигиенска пракса. Додека ракувате со апаратот, немојте да јадете или да пушите. По ракувањето односно по користењето на системот за проверка на цевки рацете или другите делови од телото кои дошле во контакт со содржината на цевката, треба секогаш да се измијат со топла вода и сапун. На овој начин избегнувате ризици по здравјето заради контакт со токсични материји или материји што може да предизвикаат инфекции.

Пред употребата, проверете дали на кабелот постојат траги од абенење или оштетување. Заменете го изабениот или оштетениот кабел пред употреба на апаратот.

**ВНИМАНИЕ!** Треба да се внимава кога го носите на грб системот за проверка на цевките користејќи го носачот. Може да изгубите рамнотежа.

Секогаш користете го апаратот внимателно и претпазливо. Невозможно е да се предвидат сите опасни ситуации. Не користете го апаратот ако не ги разбирате овие упатства или ако се чувствувате премногу уморни од работа. За повеќе информации или обука, контактирајте го Milwaukee или квалификуван професионалец.

Немојте да ги отстранувате етикетите и плочките со натписи. Овие плочки содржат важни информации. Ако плочките повеќе не се читливи или недостигаат, обратете се до корисничката служба на MILWAUKEE, за да добиете бесплатна замена на истите.

Некои прашина предизвикани од машини за брушење, пилање и дупчење или други градежни активности можат да содржат хемиски супстанции кои се канцерогени, доведуваат до вродени дефекти или ја нарушуваат плодноста. Примери за овој вид хемиске супстанции се:

- олово од олово-базирани бои,
- кристали на силика од тули, цемент или други ѕидарски производи, како и
- арсен или хром од хемиски третирана дрвена граѓа.

Ризикот од изложеност зависи од тоа колку често работите со овие супстанции. За да се одржи ризикот од изложеност што е можно понизок, секогаш работете во добро проветрени места. Носете официјално одобрена заштитна опрема, како што се маски за прав со филтер за микрочестички.

## 1.2 Други безбедносни и работни упатства

Не менувајте ја батеријата кога површината на алатот е влажна.

Не ги оставајте искористените батерии во домашниот отпад и не горете ги. Дистрибутерите на Milwaukee ги собираат старите батерии за еколошко отстранување.

Не ги чувајте батериите заедно со метални предмети (ризик од краток спој).

Користете исклучиво полначи од систем M18 за полнење на батерии од систем M18. Не користете батерии од друг систем.

Течност од оштетените батериите може да истече при екстремно преоптоварување или екстремна температура. Доколку дојдете во контакт со исатата, измијте се веднаш со сапун и вода. Во случај на контакт со очите плакнете ги убаво најмалку 10 минути и задолжително одете на лекар.

**Предупредување!** За да избегнете опасноста од пожар, од наранувања или од оштетување на производот, коишто ги создава краток спој, не го потопувајте во течност апаратот, батеријата или полначот и пазете да не проникнуваат течности. Корозивни или електроспроводноливи течности, како солена вода, одредени хемикалии, избелувачки препарати или производи кои содржат избелувачки супстанции, можат да предизвикаат краток спој.

Овој апарат не смее да се опслужува или чисти од страна на лица кои што располагаат со намалени телесни, сензорни или душевни способности односно недостаток на искуство или знаење, освен ако не биле обучени за безбедно ракување со апаратот од страна на лице кое што е според законот одговорно за нивната безбедност. Горе наведените лица треба да се набљудуваат при употреба на апаратот. На апаратот не му е место крај деца. Затоа при негова неупотреба апаратот треба да се чува безбедно и вон дофат на деца.

### 1.3 Технички податоци

	M18 SIC36	M18 SIC60	M18 SISH
Должина на кабелот од камерата .....	36 m.....	60 m	
Глава на камерата.....	ø 25 mm.....	ø 34 mm	
Макс. зумирање .....	4x .....	4x	
Волтажа на батеријата .....			18 V
Тежина според ЕПТА-процедурата 01/2014 (4.0 Ah / 12 Ah)...	12,4 kg .....	20,46 kg.....	5,37 kg
Фреквентна лента (фреквентни ленти) за блутут.....			2402-2480 MHz
Високофреквентна моќност.....			1,8 dBm
Верзија блутут.....			4.0 BT-режим на сигналот
Препорачана температура на околината при работа.....	-18 .....	+50 °C	
Препорачани типови на батерии.....	M18B....;	M18HB....	
Препорачани полначи .....	M12-18C, M12-18AC, M12-18FC, M1418C6		

### 1.4 Наменска употреба

Системот за проверка на цевките се користи за преглед и инспекција на цевките. Системот се состои од три модули:

#### - Макара за проверка на цевките M18 SIC36 или M18 SIC60

Макарата за проверка на цевките се користи за намотување и одмотување и за контрола на кабелот за туркање. Макарите се достапни во две големини: M18SIC36 за цевки со дијаметар од 50 mm до 150 mm и поголемиот модел M18SIC60 за цевки со дијаметар од 75 mm до 250 mm.

Двете макари вклучуваат кабел за туркање со модул на пружините, на кој е монтирана главата на камера која се израмнува автоматски. Безжичниот монитор M18 SIM и котролниот центар M18 SISH можат да се користат и со двете макари.

Двете макари можат да работат вертикално и хоризонтално. За носење на апаратот на грб, носачот може да биде прикачен на задниот дел на M18 SIC36.

#### - SMART HUB M18 SISH

SMART HUB M18 SISH се користи за контрола на системот за проверка на цевките.

Безжичниот монитор M18 SIM или таблетот, на кој е инсталирана Milwaukee® апликација за проверка на цевките, се поврзува со SMART HUB M18 SISH да ги прима видео записите и сликите. Видео записите и сликите се зачувуваат на внатрешната податочна единица на SMART HUB M18 SISH.

#### - Безжичен монитор M18 SIM (не се содржи во испораката; може да се купи одделно)

Безжичниот монитор M18 SIM Ви овозможува да ги гледате видео записите снимени од главата на камерата, да снимате видео записи и слики и да репродуцирате датотеки со видео записи и слики. За време на снимање на видео запис, преку внатрешниот микрофон можат да се снимаат говорни коментари. Со функцијата „Ознаки“ можат да се додадат и текстови на коментарите. Текстовите на коментарите се прикажани во снимениот видео запис и се појавуваат на сликите заедно со датумот, времето и должината на одмотаниот кабел.

Не го користете овој апарат на било кој друг начин освен пропишаниот за наменска употреба.

### 1.5 Барања за радиофреквенција поврзани со европски инсталации

Упатство: Овој апарат е тестиран и ги исполнува граничните вредности на приемникот од категорија 3 во согласност со EN 300 440 V2.1.1.

Овие гранични вредности мора да обезбедат соодветна заштита од нарушувања на радио во станбени згради.

Овој апарат реагира на други апарати што пренесуваат радио бранови во фреквенцијата од 2402 до 2480 MHz. Ова може да доведе до нарушувања при користење на далечинскиот управувач. Не може да се исклучи нарушувањата да се појават под одредени околности. За да одредите дали овој апарат се меша



со радио сигнали од други апарати, кратко исклучете ги другите апарати за да проверите дали мешањето тогаш исчезнува. Следниве мерки можат да помогнат во отстранувањето на нарушувањата:

- Исклучете го изворот на мешање.
- Зголемете го растојанието до изворот на мешање.
- Консултирајте се со специјалист продавач или со квалификуван радио-техничар.

## 1.6 ЕК-Декларација за сообразност

Techtronic Industries GmbH изјавува, дека радио опремата тип M18SISH соодветствува со директивата 2014/53 на ЕУ. Целосниот текст на декларација за соодветност на ЕУ може да го најдете на следената интернет адреса: <http://services.milwaukeeetool.eu>

## 1.7 ONE-KEY™

За да дознаете повеќе за функционирањето на ONE-KEY на овој апарат, Ве молиме прочитајте го упатството за брзо стартување или посетете на интернет на: [www.milwaukeeetool.com/one-key](http://www.milwaukeeetool.com/one-key). Апликацијата ONE-KEY може да ја симнете на Вашиот смартфон преку App Store или Google Play.

Ако дојде до електростатско празнење, Bluetooth поврзувањето ќе биде прекинато. Во таков случај, повторно воспоставете ја врската рачно.

Апаратот соодветствува на минималните барања според EN 55014-2:2015 / EN 301489-1 V2.2.3 / EN 301489-17 V3.1.1.

### Индикатор ONE-KEY™

Сино светло: Радио-врската е активна и и може да се постави преку апликацијата ONE-KEY™.

Сино трепкачко светло: Апаратот комуницира со апликацијата ONE-KEY™.

Црвено трепкачко светло: Апаратот е заклучен поради безбедност и може да го отклучи операторот преку апликацијата ONE-KEY™.

## 1.8 БАТЕРИИ

Батериите кои не биле користени подолго време треба да се наполнат пред употреба.

Температура повисока од 50°C ја намалува ефикасноста на батеријата. Избегнувајте подолго изложување на батериите на високи температури или сонце.

Клемите на полначот и батеријата мора да бидат чисти.

За оптимален работен век батеријата мора да се наполни целосно по употреба.

За можно подолг век на траење, батериите после нивното полнење треба да бидат извадени од полначот.

Во случај на складирање на батеријата подолго од 30 дена:

Батеријата да се чува на температура под 27°C и на суво место.

Батеријата да се складира наполнета на приближно 30%-50%.

Батеријата повторно да се наполни на секои 6 месеци.

## 1.9 Транспорт на литиум-јонски батерии

Литиум-јонските батерии подлежат на законските одредби за транспорт на опасни материи.

Транспортот на овие батерии мора да се врши согласно локалните, националните и меѓународните прописи и одредби.

- Корисниците на овие батерии може да вршат непречен патен транспорт на истите.
- Комерцијалниот транспорт на литиум-јонски батерии од страна на шпедитерски претпријатија подлежат на одредбите за транспорт на опасни материи. Подготовките за шпедиција и транспорт треба да ги вршат исклучиво соодветно обучени лица. Целокупниот процес треба да биде стручно надгледуван.

При транспортот на батерии треба да се внимава на следното:

- Осигурајте се дека контактите се заштитени и изолирани, а сето тоа со цел да се избегнат кратки споеви.
- Внимавајте да не дојде до изместување на батериите во нивната амбалажа.
- Забранет е транспорт на оштетени или протечени батерии.






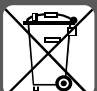






За понатамошни инструкции обратете се до Вашето шпедитерско претпријатие.

## 1.10 Одржување

Користете само Milwaukee додатоци и резервни делови. Доколку некои од компонентите кои не се опишани треба да бидат заменети, Ве молиме контактирајте ја корисничката служба на Milwaukee (консултирајте ја брошурата за гаранција/листата со адреси на корисничката служба).

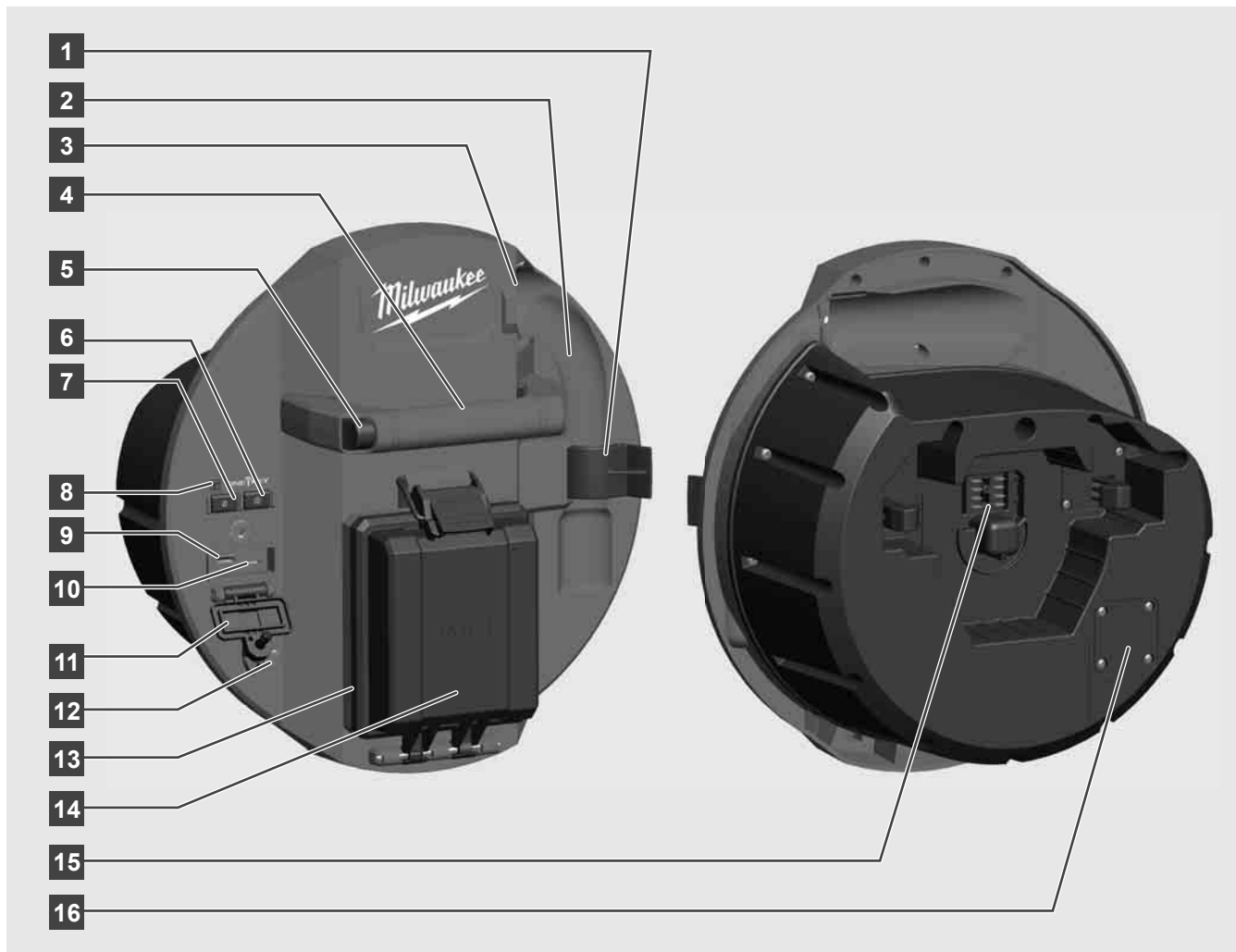
При потреба може да се побара цртеж со експлодиран изглед на апаратот со наведување на типот на уредот и шестоцифрениот број на табличката за идентификација или во Вашата корисничка служба или директно кај Techtronic Industries GmbH, Max-Eyth-Straße 10, 71364 Winnenden, Германија.

## 1.11 Символи

	ВНИМАНИЕ! ПРЕДУПРЕДУВАЊЕ! ОПАСНОСТ!
	Отстранете ја батеријата пред да работите на апаратот.
	Ве молиме внимателно прочитајте ги упатствата за употреба пред пуштањето во работа.
	Носете ракавици!
	Секогаш при користење на апаратот носете заштитни очила.
	Електричните апарати и батериите/ акумулаторските батериите не смеат да се фрлат заедно со домашниот отпад. Електричните апарати и акумулаторските батерии треба да се собираат одделно и да бидат предадени на компанија за еколошко рециклирање. Информирајте се кај Вашите местни служби или кај специјализираниот трговски претставник, каде има такви погони за рециклажа и собирни станици.
	Напон
	Еднонасочна струја
	Европска ознака за сообразност
	Ознака за сообразност на ОК
	Украинска ознака за сообразност
	Евроазиска ознака за сообразност

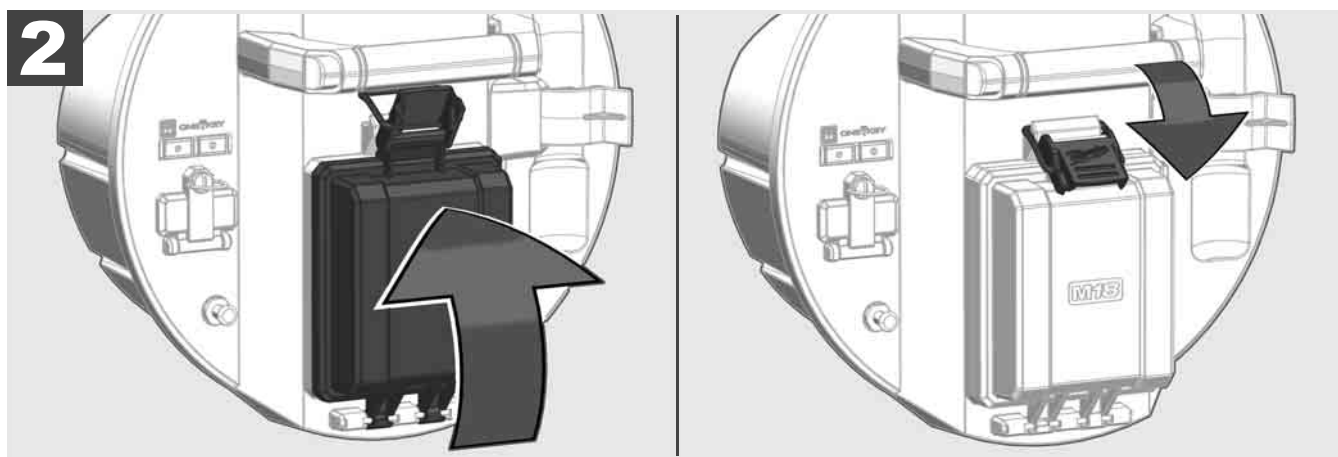
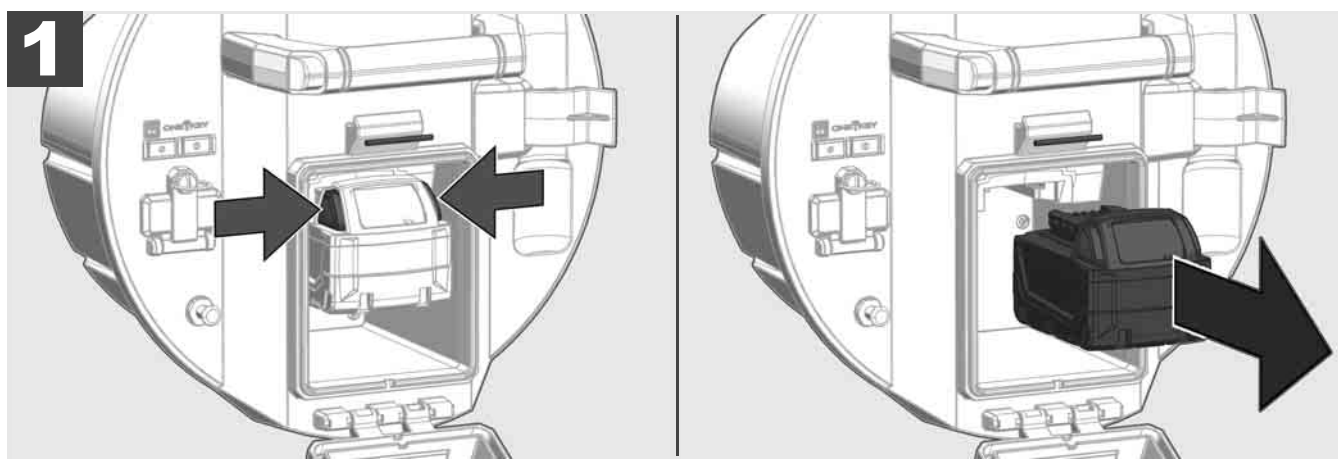
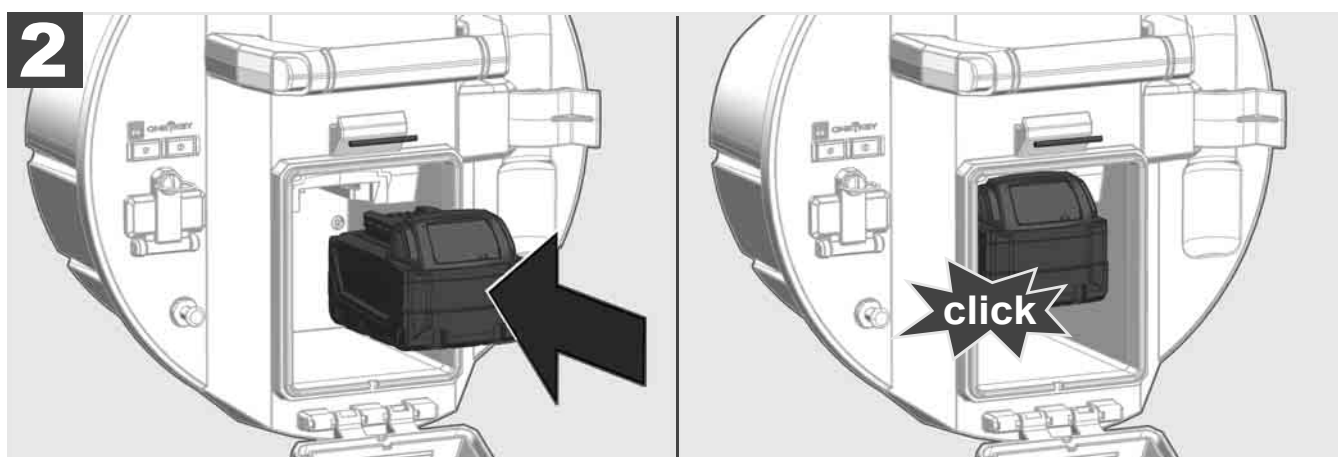
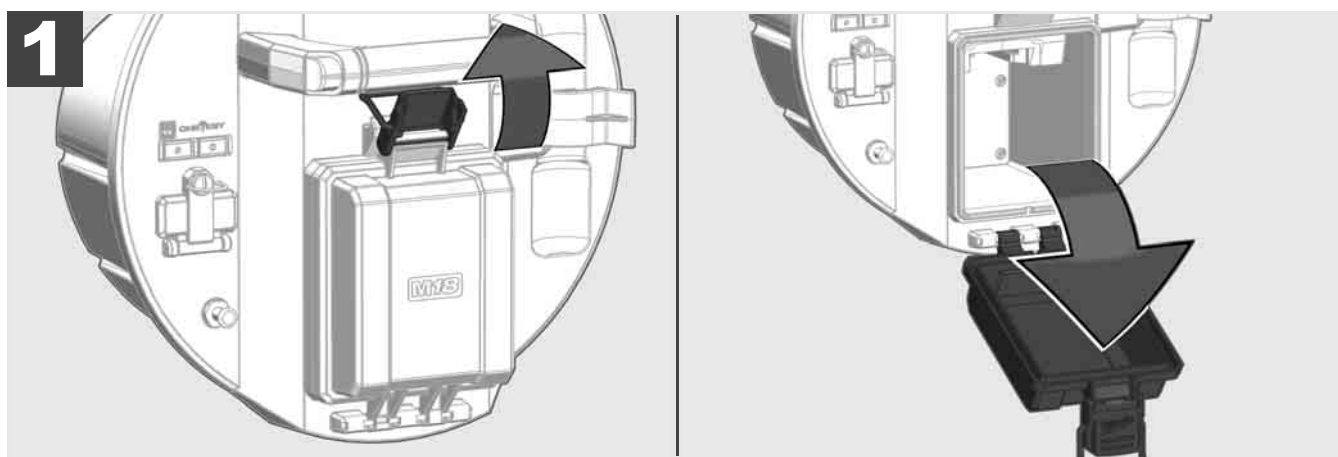
## 2 SMART HUB M18 SISH

### 2.1 Преглед на SMART HUB M18 SISH



- 1 Клип за заклучување на пружината – За заклучување на пружината и камерата за време на транспортот.
- 2 Прием на пружината – одржува ја во место пружината и камерата за време на транспортот и складирањето.
- 3 Водилка за кабел – Пред SMART HUB да затекне на своето место, навојте ја пружината и кабелот за туркање низ водилката.
- 4 Рачка
- 5 Копче за отклучување – Притиснете го ова копче за да го ослободите SMART HUB од макарата за проверка на цевките.
- 6 Главен прекинувач – Притиснете кратко еднаш за да го вклучите апаратот; Притиснете и задржете за да го исклучите апаратот.
- 7 Копче за ресетирање на должината на кабелот – Ресетира должината на одмотаниот кабел на нула.
- 8 ONE-KEY-LED-индикатор
- 9 USB-A-порта – За директно зачување на видеа и слики, како и за ажурирања на фирмверот.
- 10 USB-C-порта – Опционална врска за напојување и за податоци за поврзување на безжичниот монитор M18 SIM со Smart Hub.
- 11 Капак на USB-конекторот – Водоотпорен капак што ги штити USB-конекторите од прашина и влага.
- 12 Прачка за заземјување – За заземјување на Smart Hub при следењето на кабелот.
- 13 Капак на батеријата – Водоотпорен капак што ја штити батеријата од прашина и влага.
- 14 Преграда за батерија – За M18™ батерија
- 15 Конектор за поврзување на Smart Hub и макарата за проверка на цевките.
- 16 Конектор за испитување на камерата – За решавање проблеми со главата на камерата

## 2.2 Вметнување и отстранување на батеријата



## 2.3 Проверка на набојот на батеријата



78-100 %



55-77 %



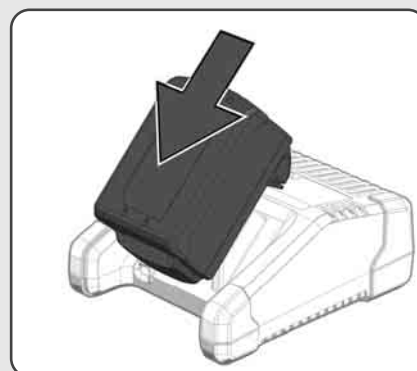
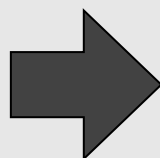
33-54 %

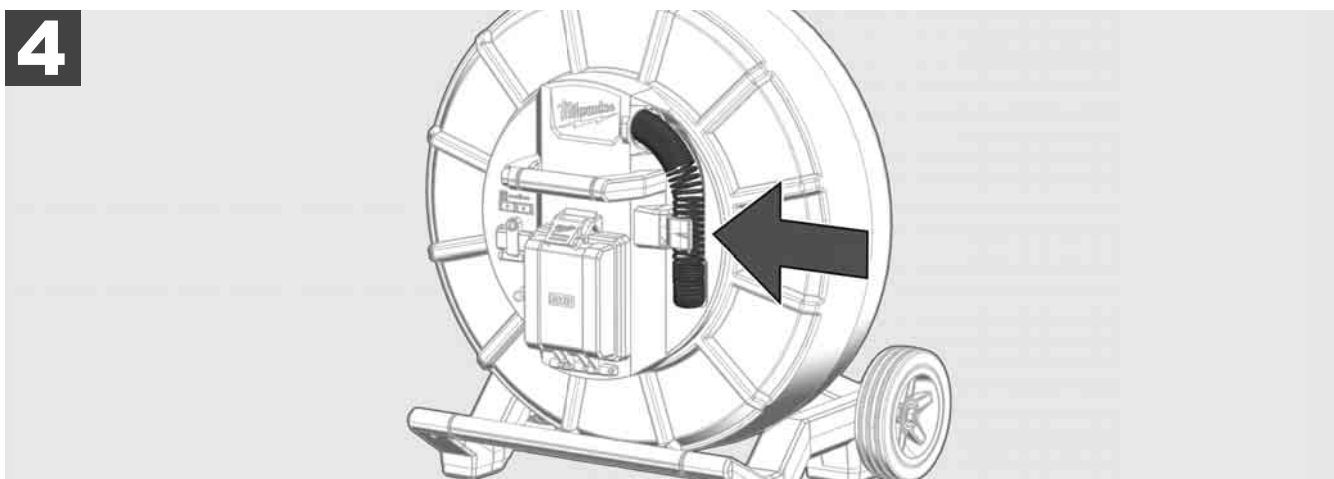
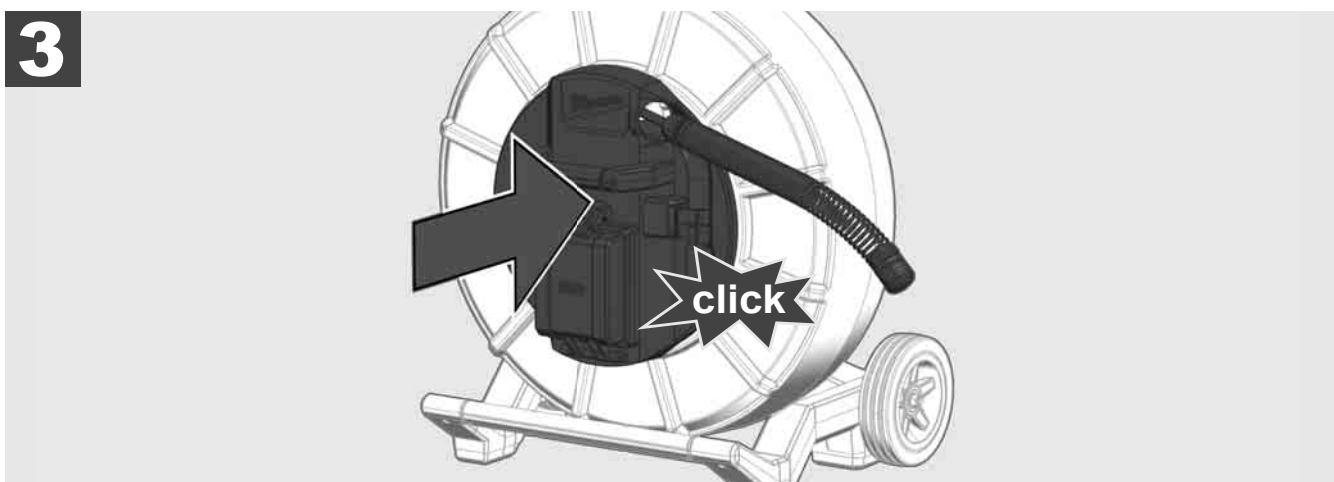
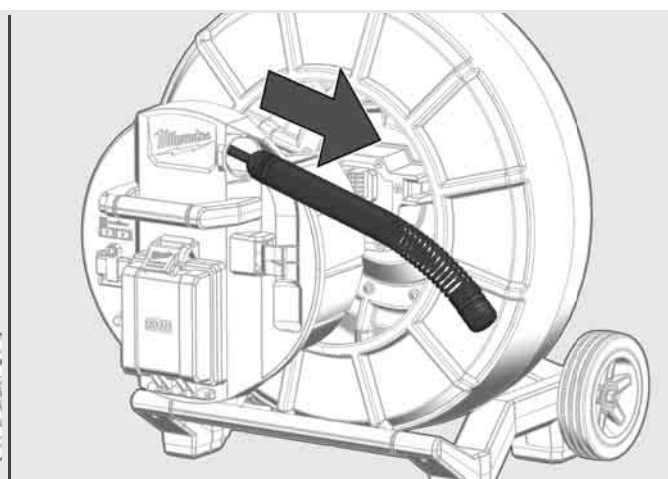
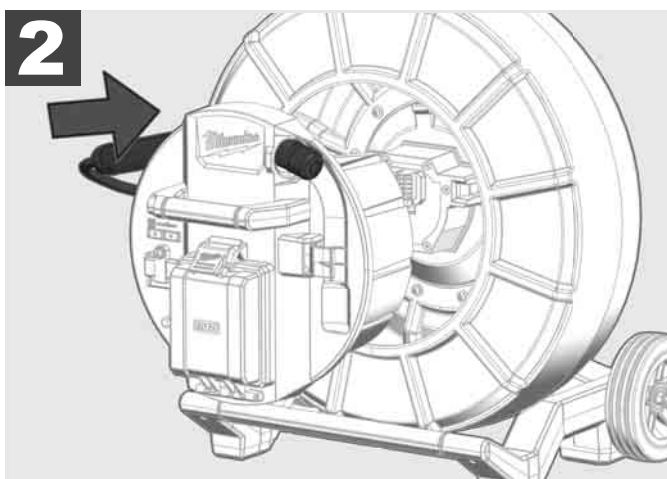
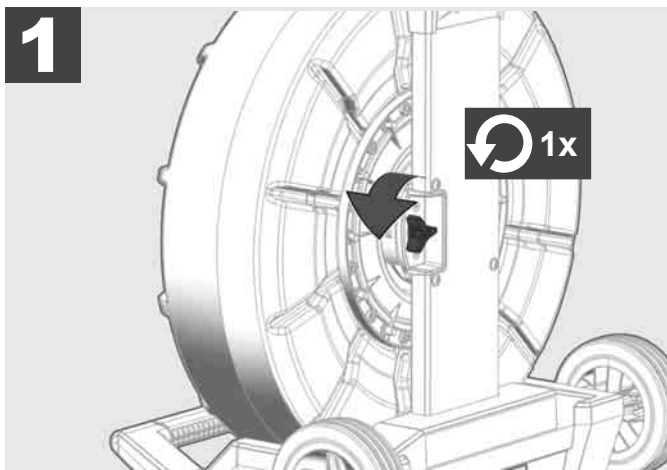


10-32 %



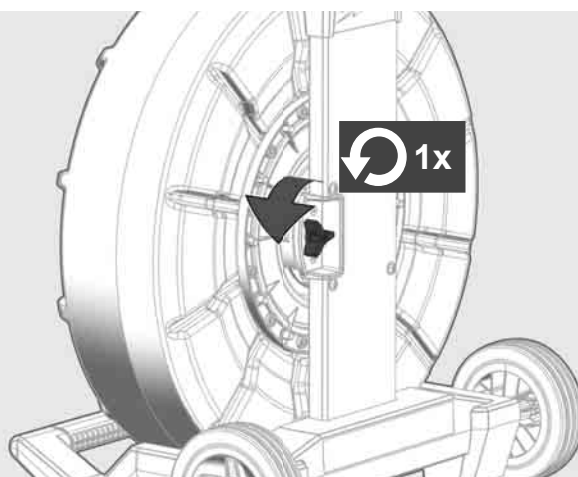
< 10 %



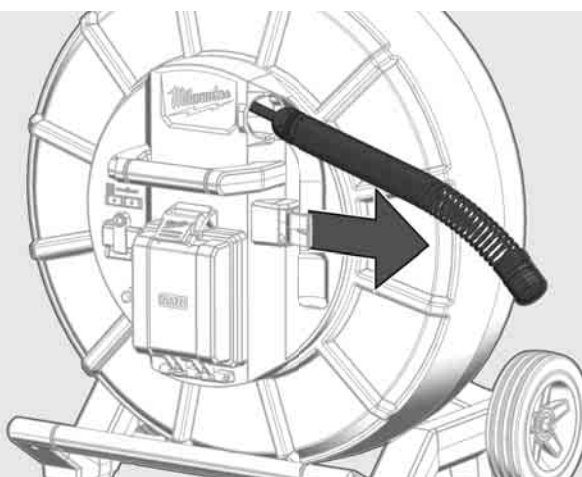




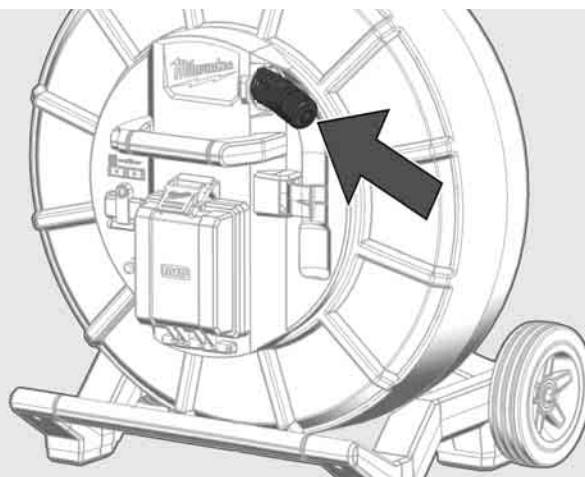
**1**



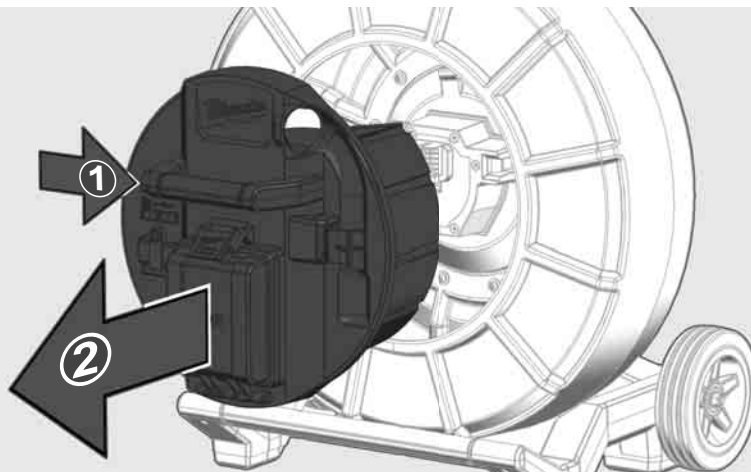
**2**



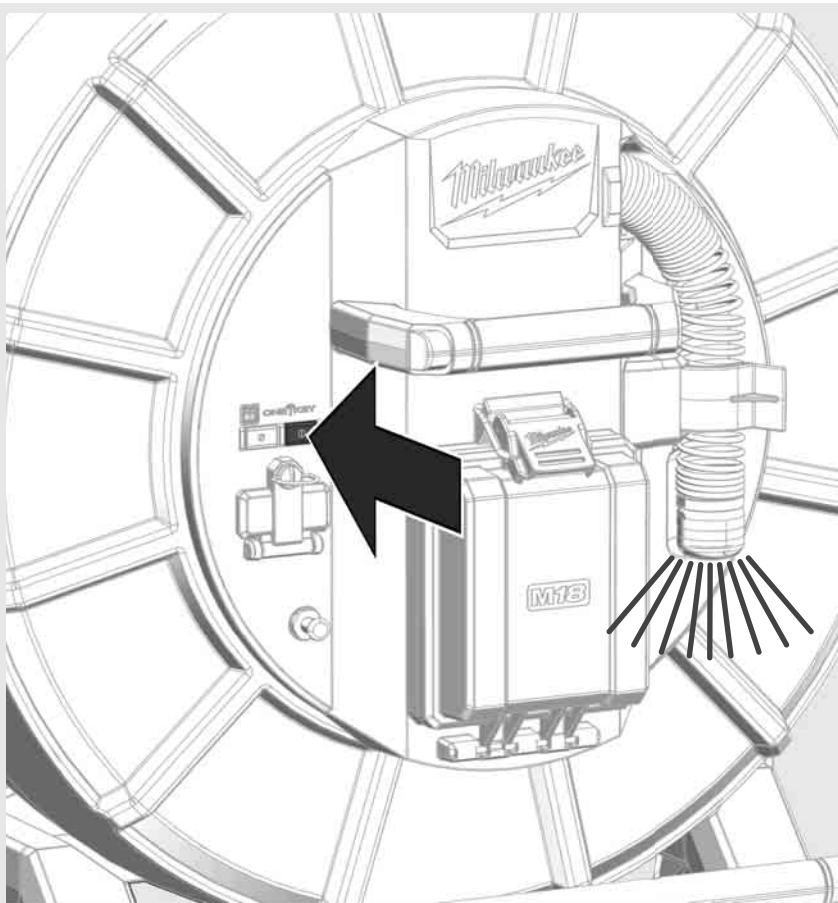
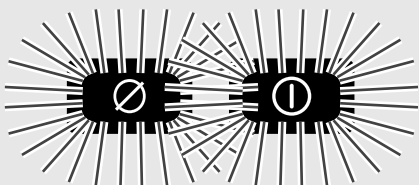
**3**



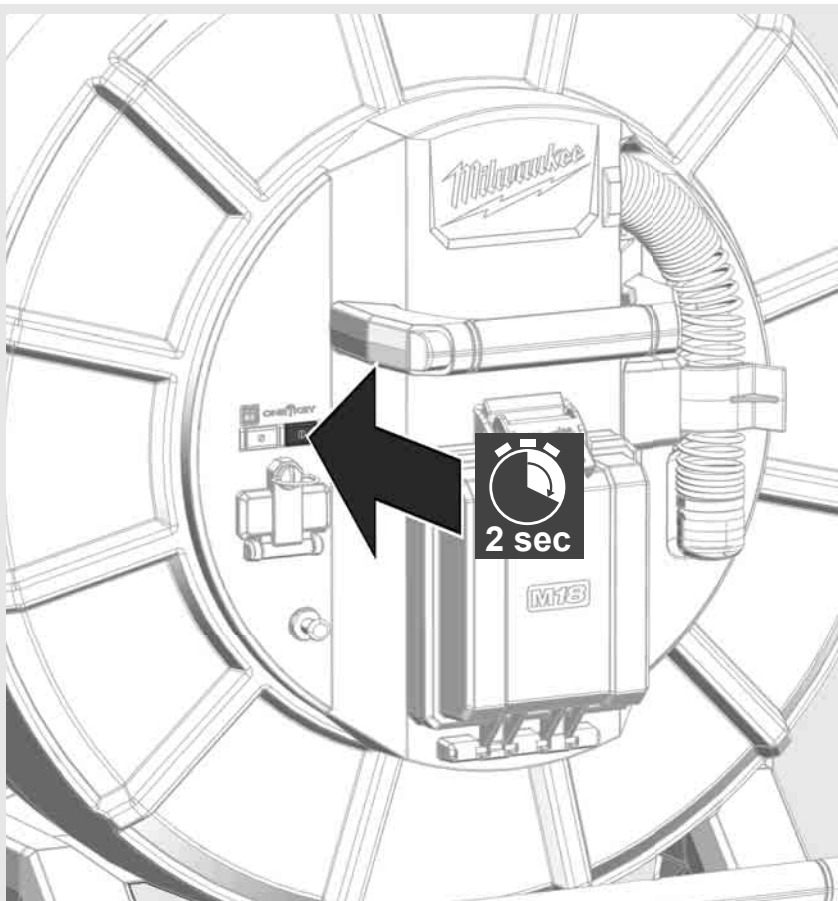
**4**



**ON**



**OFF**





## 2.7 Поврзување на мониторот

За промена на поставките на СИСТЕМОТ ЗА ПРОВЕРКА НА ЦЕВКИТЕ, за контрола на неговите функции и за прикажување на слики и видеа направени со камерата, потребен е уред за надворешен апарат за прикажување.

Надворешниот апарат за прикажување не се содржи во испораката на СИСТЕМОТ ЗА ПРОВЕРКА НА ЦЕВКИТЕ и мора да се купи одделно.

Достапни се следниве опции:

- MILWAUKEE БЕЗЖИЧЕН МОНИТОР M18 SIM

- Таблет или паметен телефон со MILWAUKEE АПЛИКАЦИЈА ЗА ПРОВЕРКА НА ЦЕВКИТЕ

БЕЗЖИЧНИОТ МОНИТОР е поврзан со СИСТЕМОТ ЗА ПРОВЕРКА НА ЦЕВКИТЕ преку WLAN или USB-C-порта и е веднаш подготвен за употреба. Кога користите таблет или паметен телефон, прво инсталирајте ја на односниот апарат MILWAUKEE АПЛИКАЦИЈАТА ЗА ПРОВЕРКА НА ЦЕВКИТЕ.

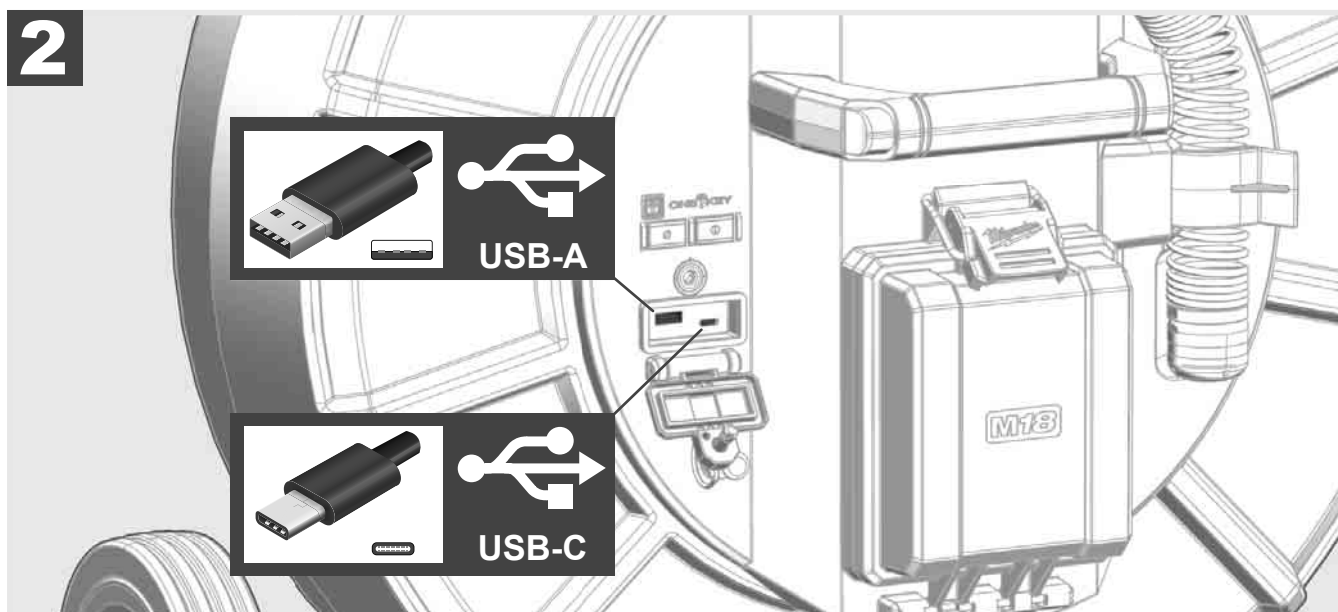
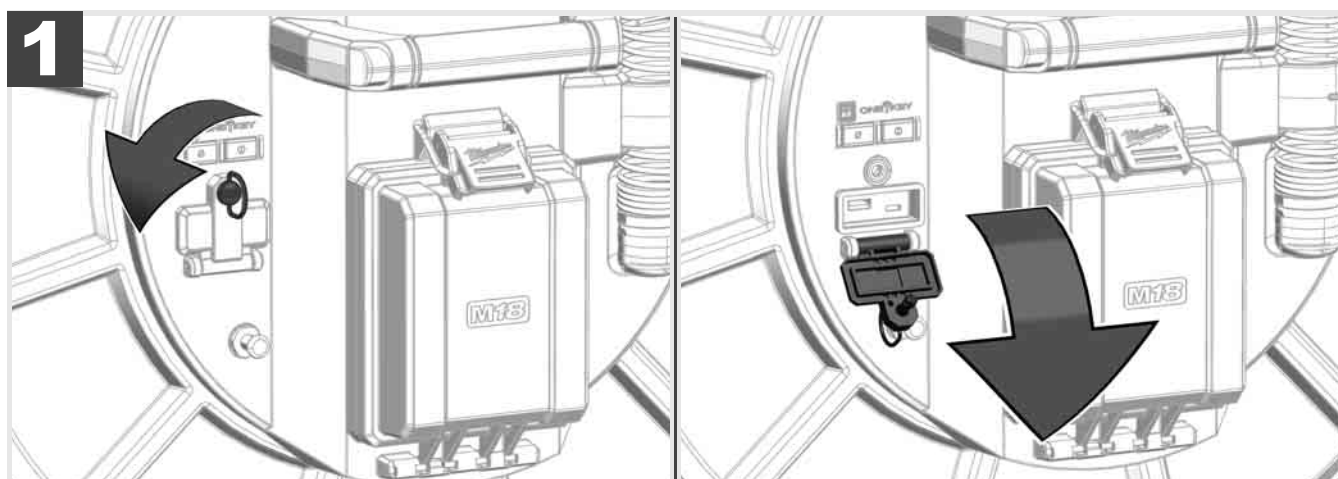
### ПОЧЕТНА УПОТРЕБА СО БЕЗЖИЧЕН МОНИТОР M18 SIM:

1. Вклучите го SMART HUB и БЕЗЖИЧНИОТ МОНИТОР.
2. БЕЗЖИЧНИОТ МОНИТОР автоматски се поврзува со SMART HUB во рок од 25 секунди.

\*За кабелска врска, поврзете го мониторот со Smart Hub користејќи USB-C-кабел.

### ПОЧЕТНА УПОТРЕБА СО ПАМЕТЕН ТЕЛЕФОН ИЛИ ТАБЛЕТ:

1. Преземете и инсталирајте ја MILWAUKEE АПЛИКАЦИЈАТА ЗА ПРОВЕРКА НА ЦЕВКИТЕ.
2. Вклучите го SMART HUB и апаратот за прикажување.
3. Изберете ја опцијата Поставки > WLAN.
4. Изберете ја опцијата MTCAM\_[ПОСЛЕДНИТЕ 9 ЦИФРИ ОД СЕРИСКИОТ БРОЈ НА SMART HUB].
5. Внесете ја лозинката: 29702000
6. Стартувајте ја MILWAUKEE АПЛИКАЦИЈАТА ЗА ПРОВЕРКА НА ЦЕВКИТЕ.

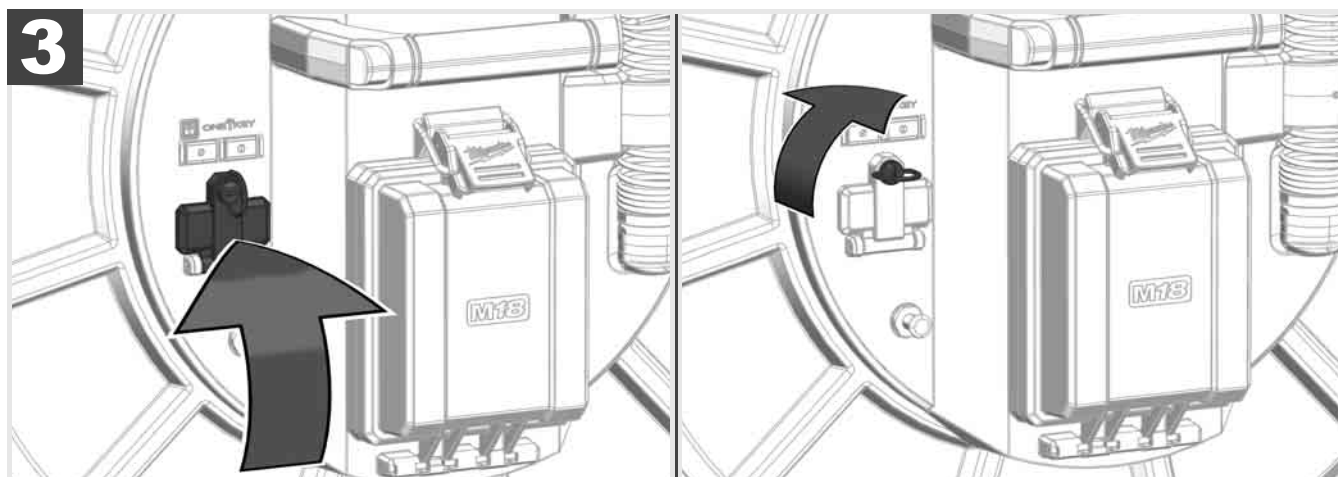


### USB-A

- Порта за нормална употреба. Овозможува директно снимање на датотеки со видео записи и слики или нивното пренесување од внатрешната податочна единица на Smart Hub.
- Овозможува ажурирањето на фирмверот да се изврши во Smart Hub.

### USB-C

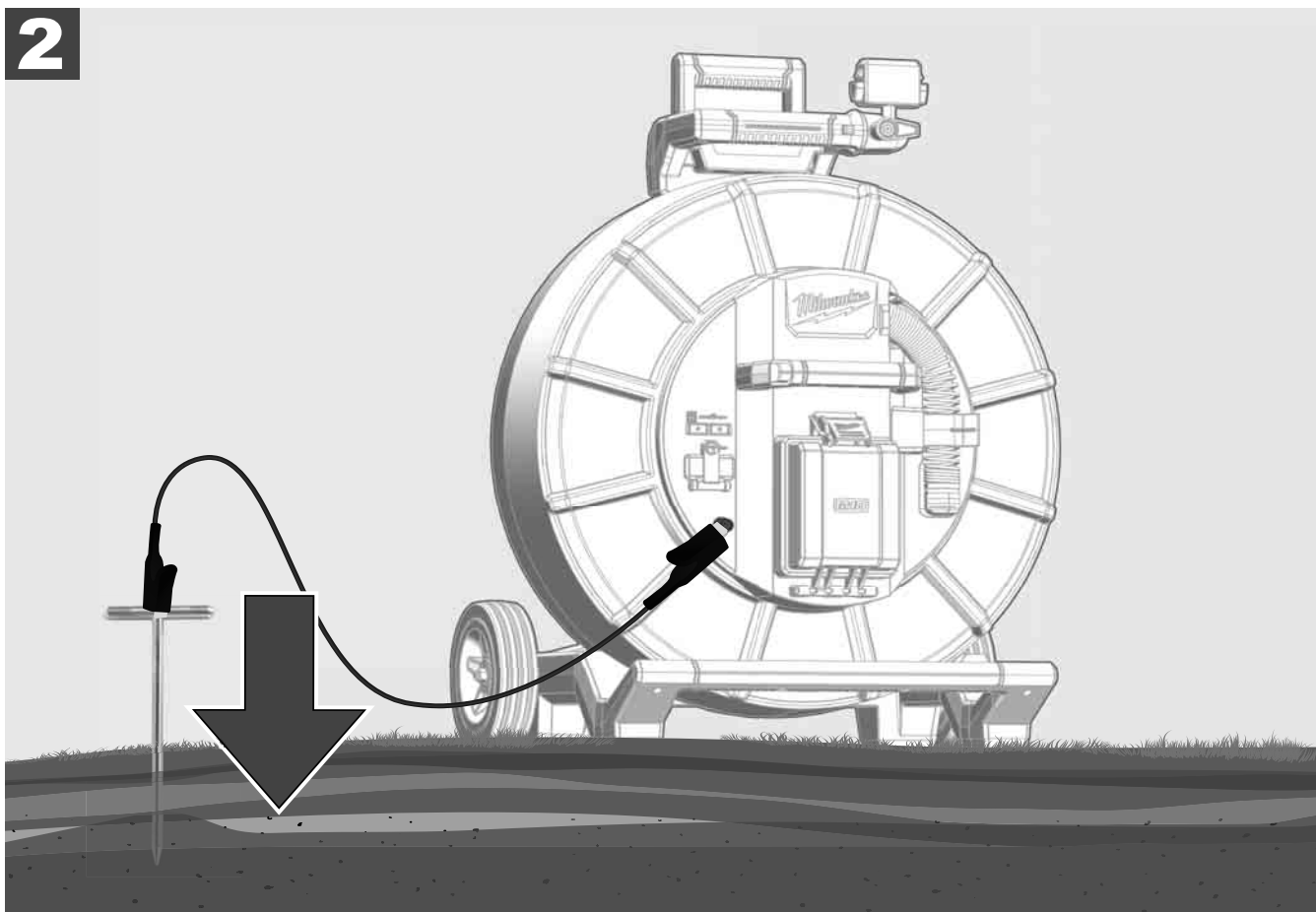
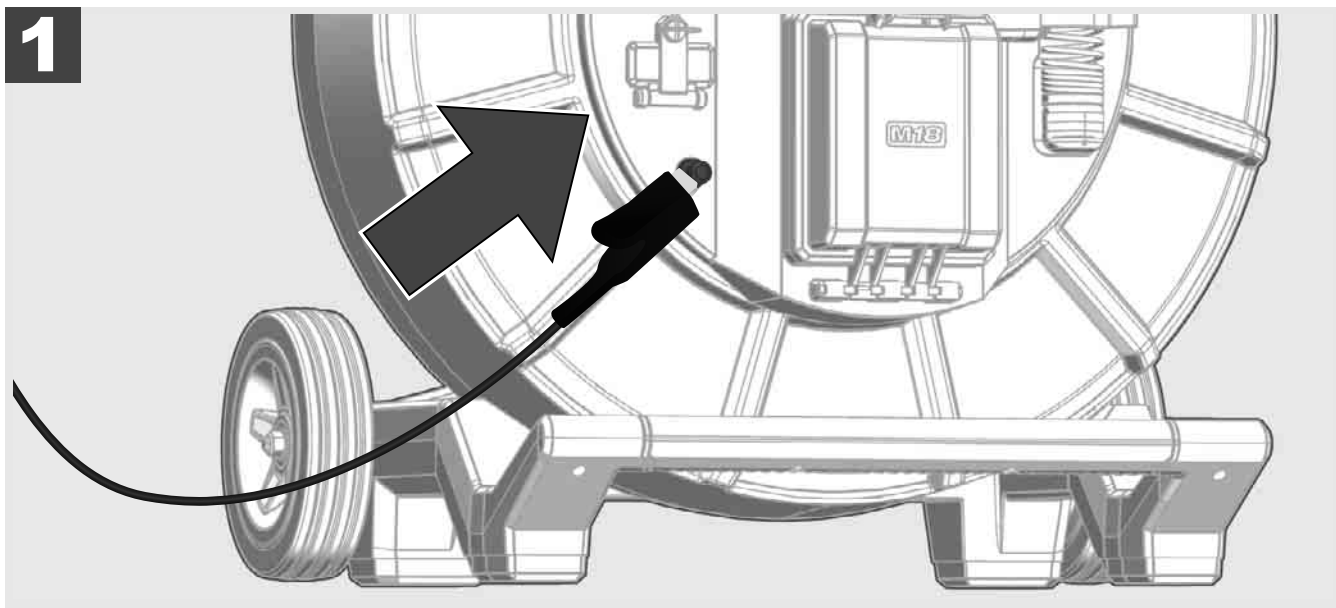
- Овозможува поврзување помеѓу безжичниот монитор M18 SIM и Smart Hub без WLAN врска. Кога батеријата не е наполнета, Smart Hub се напојува од безжичниот монитор M18 SIM или обратно.



## 2.9 Прачка за заземјување




Секогаш треба да се користи прачка за заземјување, кога кабелот за туркање се следи со функцијата СЛЕДЕЊЕ НА КАБЕЛ. Smart Hub мора да биде заземјен така што струјното коло да е затворено и да се испраќа добар сигнал за лоцирање. За да го заземете Smart Hub, користете го испорачаниот кабел за заземјување и прачка за заземјување.

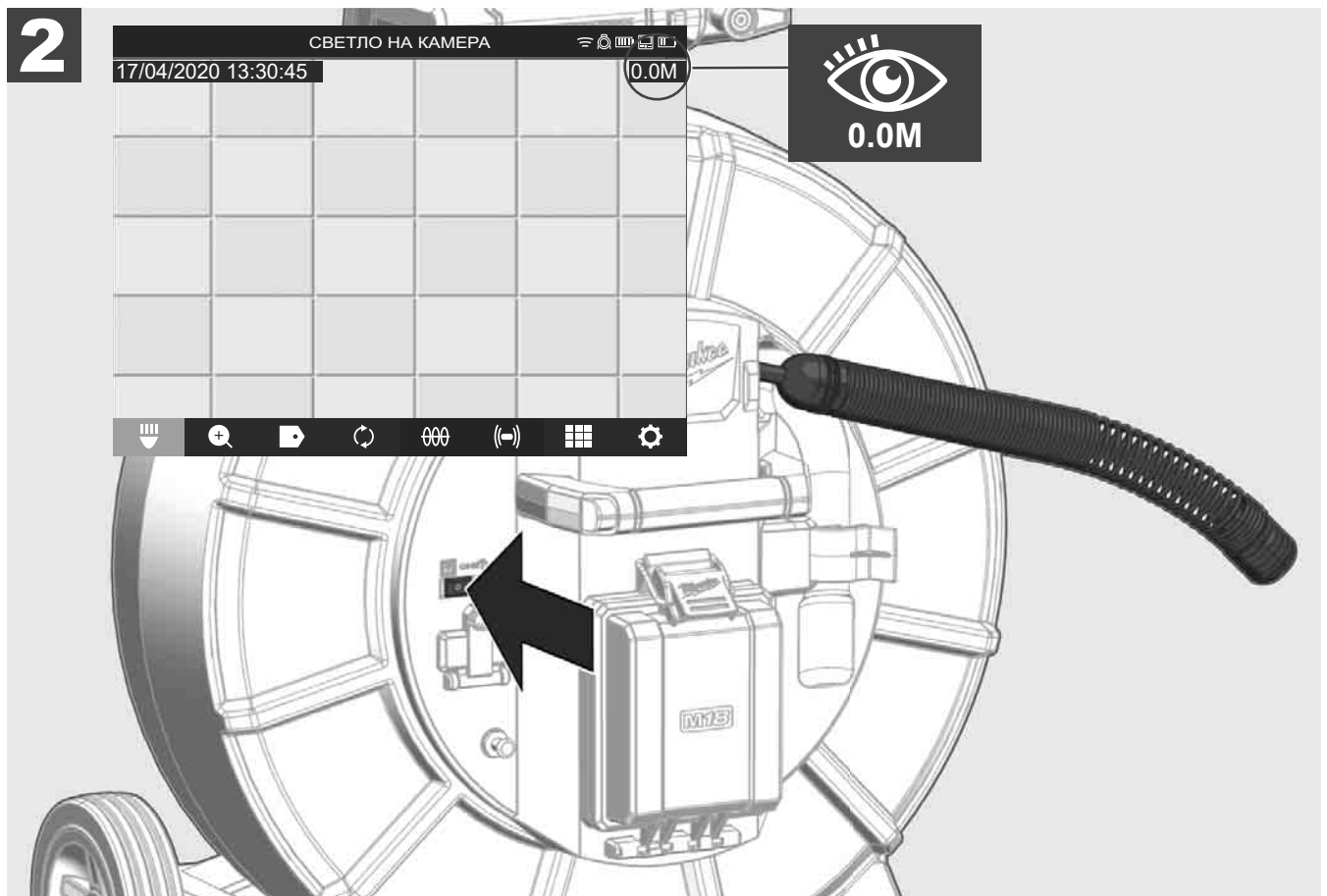
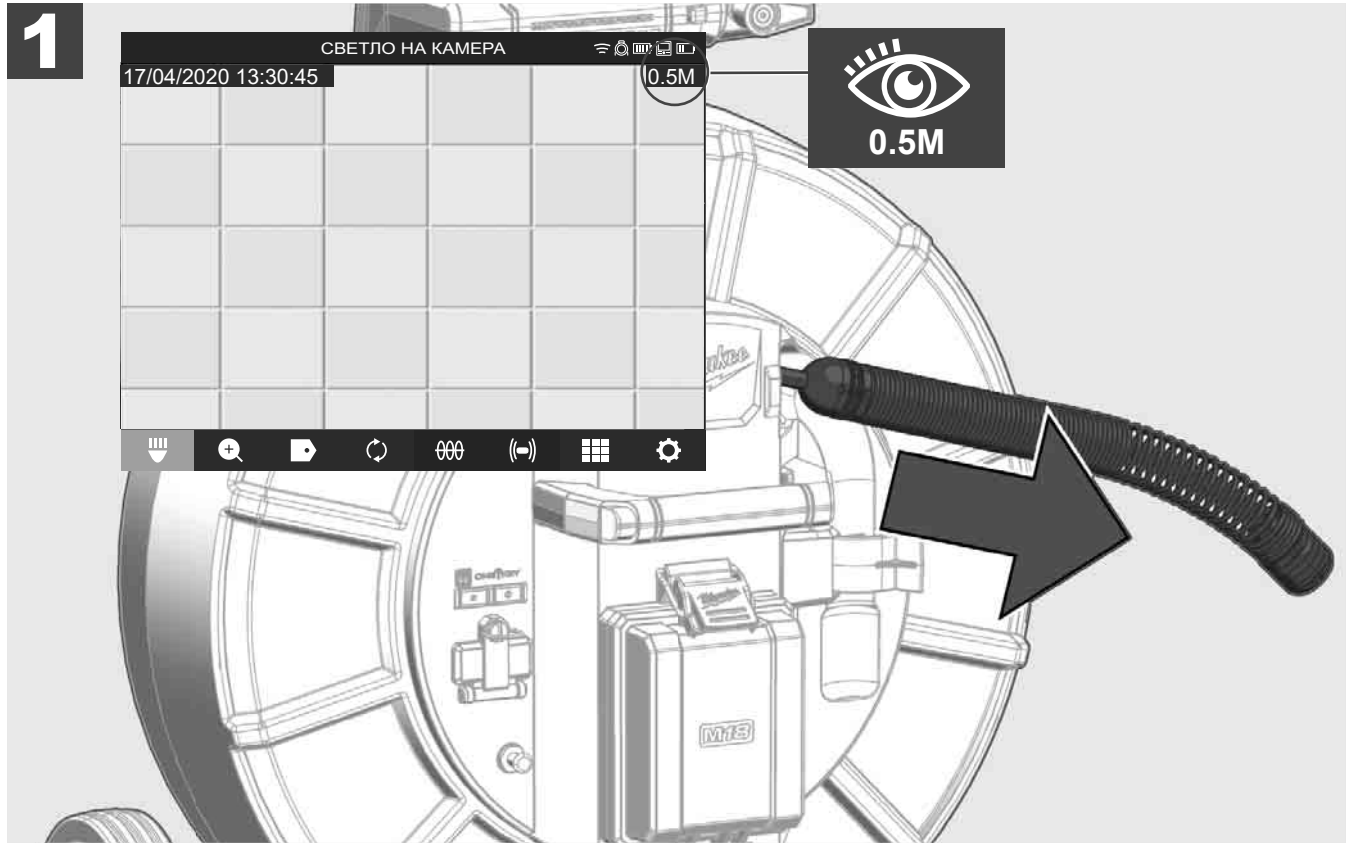


## 2.10 Ресетирање на бројачот на должината на кабелот



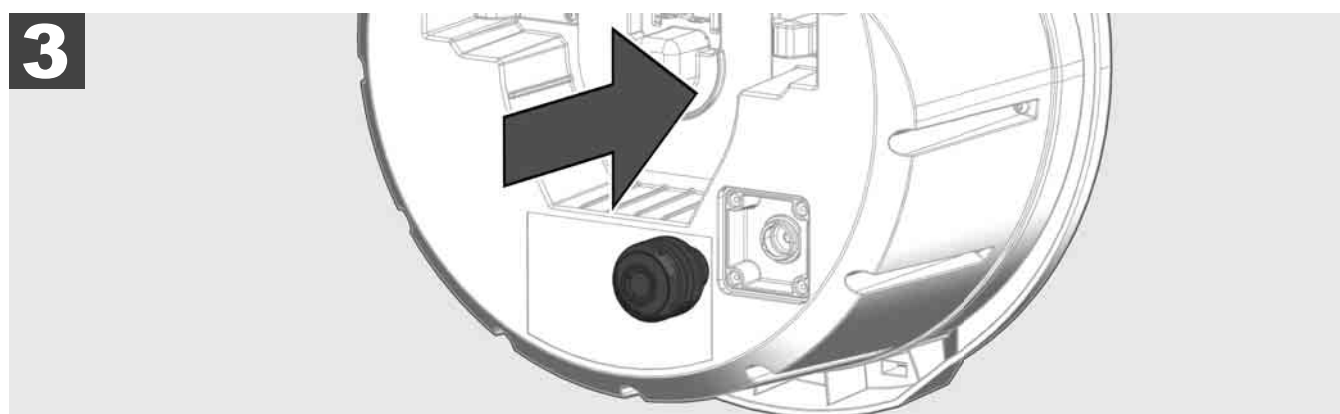
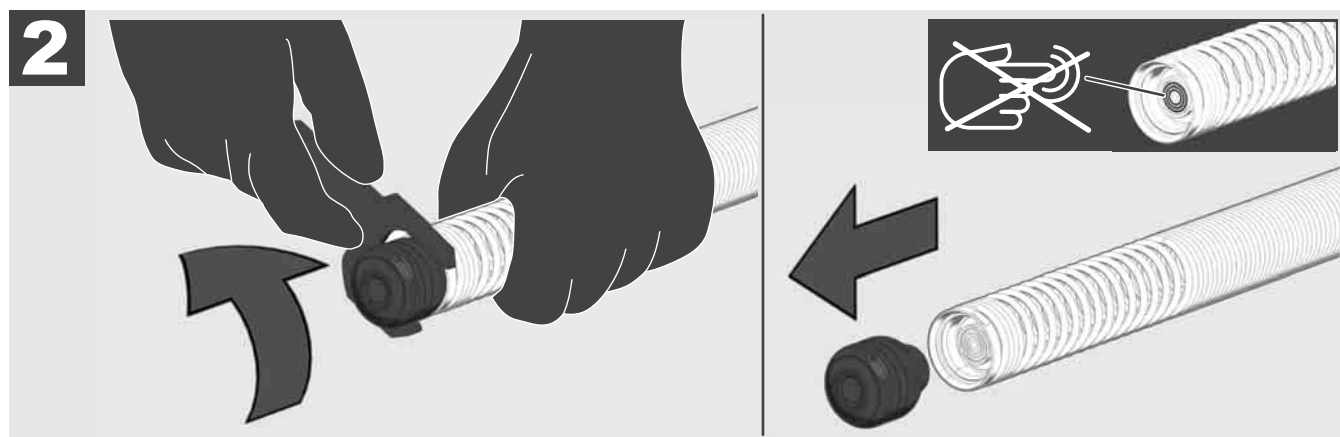
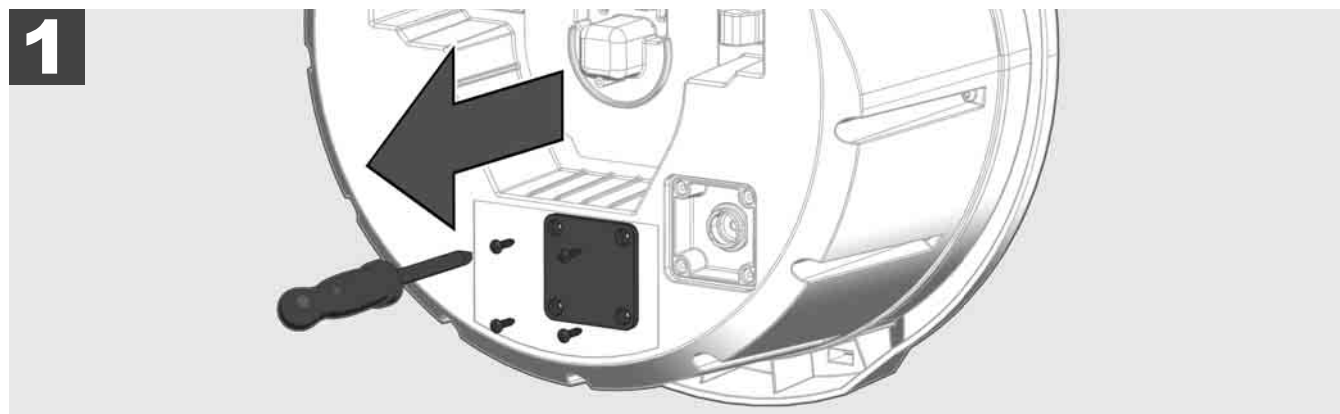
Кога се одмотува МАКАРАТА ЗА ПРОВЕРКА НА ЦЕВКИТЕ, должината на одмотаниот кабел се прикажува на лентата за статус на безжичниот монитор M18 SIM.

За да го ресетирасте индикаторот, притиснете го копчето .



## 2.11 Врска за тестирање на камерата

Ако има проблеми со главата на камерата, камерата може да се провери преку врската за тестирање.

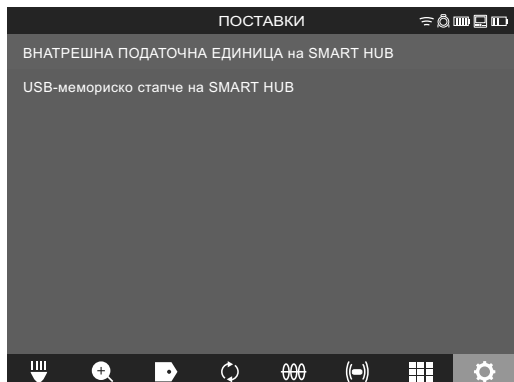


## 2.12 Форматирање на внатрешната податочна единица и на USB-мемориското стапче

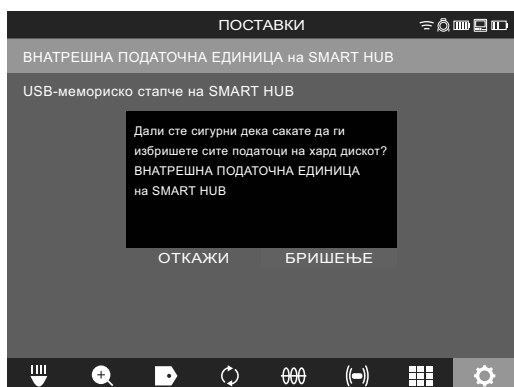
Со оваа функција можете да ја форматирате внатрешната податочна единица од 500 GB во Smart Hub или во USB-мемориското стапче.

USB-мемориските стапчиња мора да бидат форматирани во формат FAT32.

1. Изберете **ПОСТАВКИ**  → **ФОРМАТИРАЊЕ НА МЕМОРИЈАТА**
2. Изберете ја меморијата.



3. Потврдете ја пораката на екранот.




Избраната податочна единица се форматира и системот се враќа во мени **ПОСТАВКИ**.

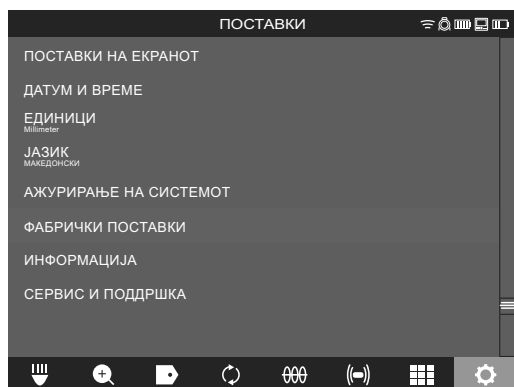
## 2.13 Фабрички поставки

Избирањето на функцијата Фабрички поставки го ресетира Smart Hub M18 SISH на вредностите поставени во фабриката.

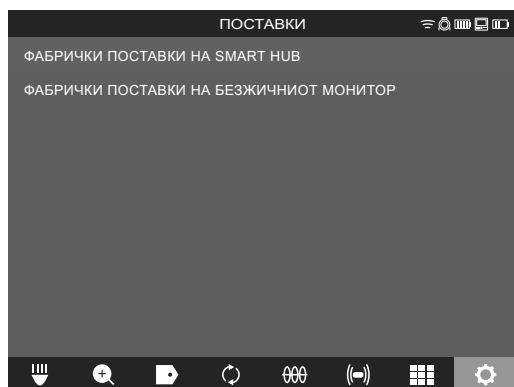
Следниве поставки на Smart Hub M18 SISH се ресетираат:

- ОЗНАКИТЕ се бришат.
- Поставките на ВИДЕО ЗАПИСИТЕ и СЛИКИТЕ се ресетираат на 1080 P.
- ИМЕТО НА КОМПАНИЈАТА се брише.
- ФРЕКВЕНЦИЈАТА НА СОНДАТА се ресетира на фабричката поставка.
- СЛЕДЕЊЕТО НА КАБЕЛОТ се ресетира на фабричката поставка.
- ПОСТАВКИТЕ НА ЕКРАНОТ се ресетираат на фабричкото поставување: нијанса, осветленост, контраст, заситеност.
- МЕРНИ ЕДИНИЦИ

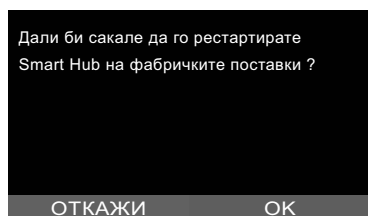
1. Изберете **ПОСТАВКИ**  → **ФАБРИЧКИ ПОСТАВКИ**



2. Изберете **ФАБРИЧКИ ПОСТАВКИ** Smart Hub M18 SISH.



3. Прочитајте и потврдете ја пораката за ресетирање со ОК.



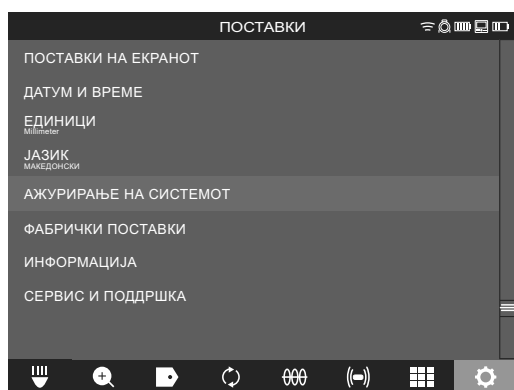
Ресетирањето на фабричките поставки е завршено и системот се враќа во подмени **ФАБРИЧКИ ПОСТАВКИ**.

## 2.14 Ажурирање на системот

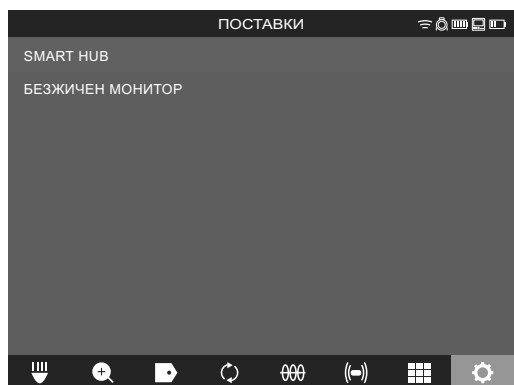
Пред ажурирање на системот, отворете го менито **ПОСТАВКИ** → **ИНФОРМАЦИЈА** и забележете ја актуелната верзија на фирмверот.

Ажурирањата на фирмверот можат да се извршаат или преку безжичниот монитор M18 SIM или со таблет со Milwaukee® апликација за проверка на цевките.

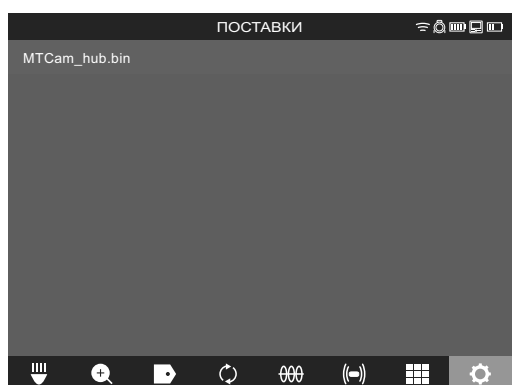
1. Вклучите го Smart Hub M18 SISH и безжичниот монитор M18SIM или таблетот со Milwaukee® апликација за проверка на цевките.
2. Осигурете се дека безжичниот монитор M18 SIM или таблетот е поврзан со Smart Hub M18 SISH преку WLAN. Ако нема WLAN поврзување прво воспоставете го.
3. Поврзете USB-мемориското стапче со ажурирањето на фирмверот во USB-A портата на Smart Hub M18 SISH.
4. Изберете **ПОСТАВКИ** → **АЖУРИРАЊЕ НА СИСТЕМОТ**



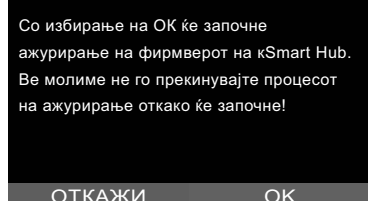
5. Изберете го Smart Hub M18 SISH.



6. Името на датотеката со ажурирањето се прикажува на екранот. Изберете **ИМЕ НА ДАТОТЕКАТА** за да започнете со ажурирањето.

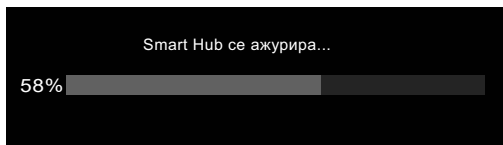


7. Прочитајте и потврдете ја предупредувачката порака со ОК.

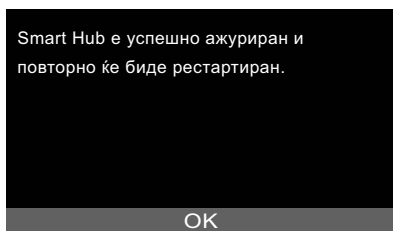




8. Напредокот на ажурирањето се прикажува на лентата за напредок.



9. На крајот на ажурирањето, се прикажува порака што мора да се потврди. Изберете ОК за да го рестартирате системот.



10. Изберете **ПОСТАВКИ** → **ИНФОРМАЦИЈА**, за да проверите дали верзијата на фирмверот е ажурирана.

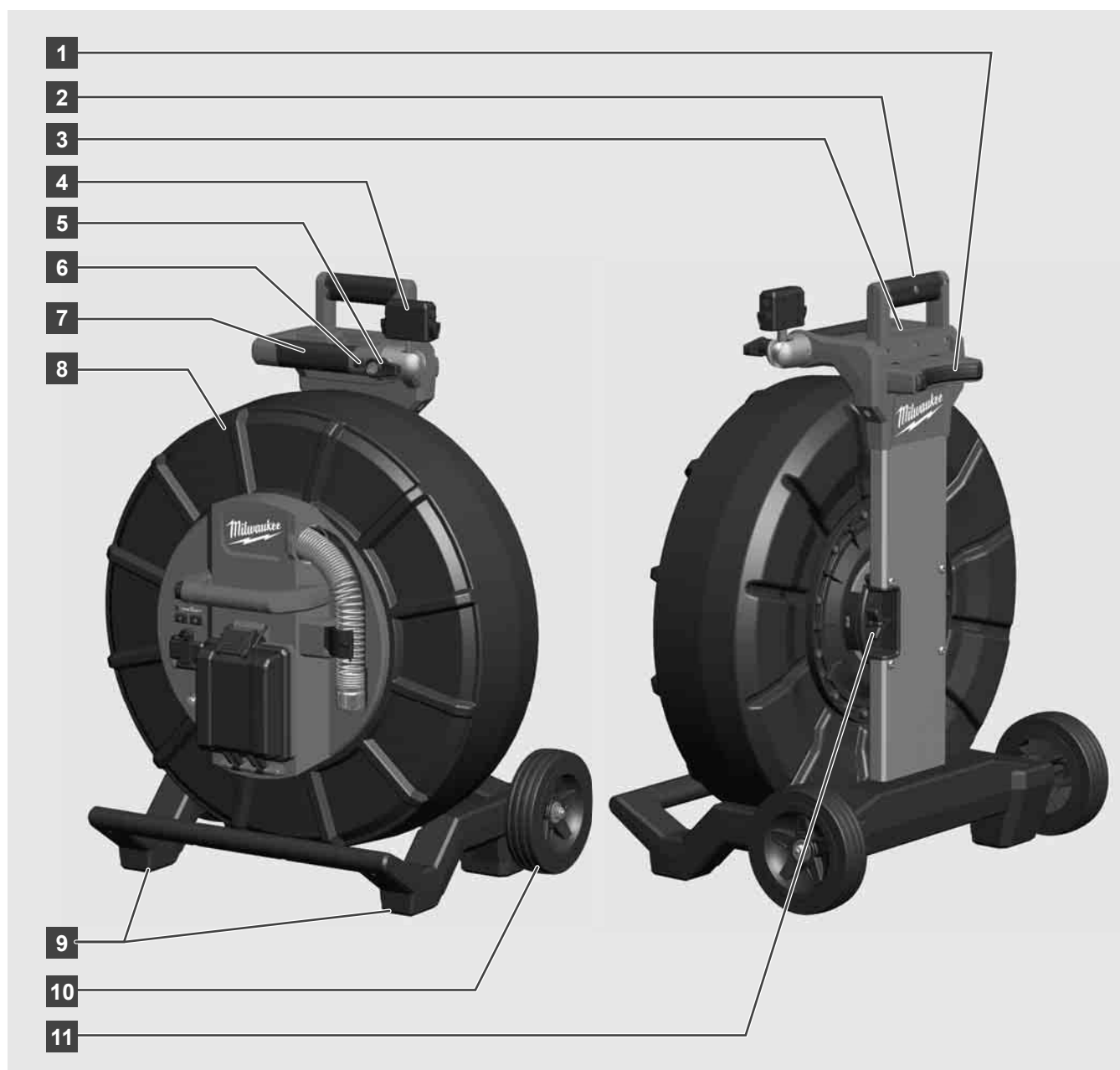
### 3 МАКАРА ЗА ПРОВЕРКА НА ЦЕВКИТЕ

#### 3.1 Преглед на макарата за проверка на цевките M18 SIC36



- 1 Израмнувачка нога за хоризонтална употреба
- 2 Безжичен монитор M18 SIM – држач за таблет и конектор
- 3 Безжичен монитор M18 SIM – заклучување на вртењето
- 4 Безжичен монитор M18 SIM – заклучување на навалувањето
- 5 Рачка
- 6 Кабелска макара со кабел за туркање
- 7 Израмнувачка нога за вертикална употреба
- 8 Кочница на кабелската макара
- 9 Израмнувачка нога за хоризонтална употреба
- 10 Носач

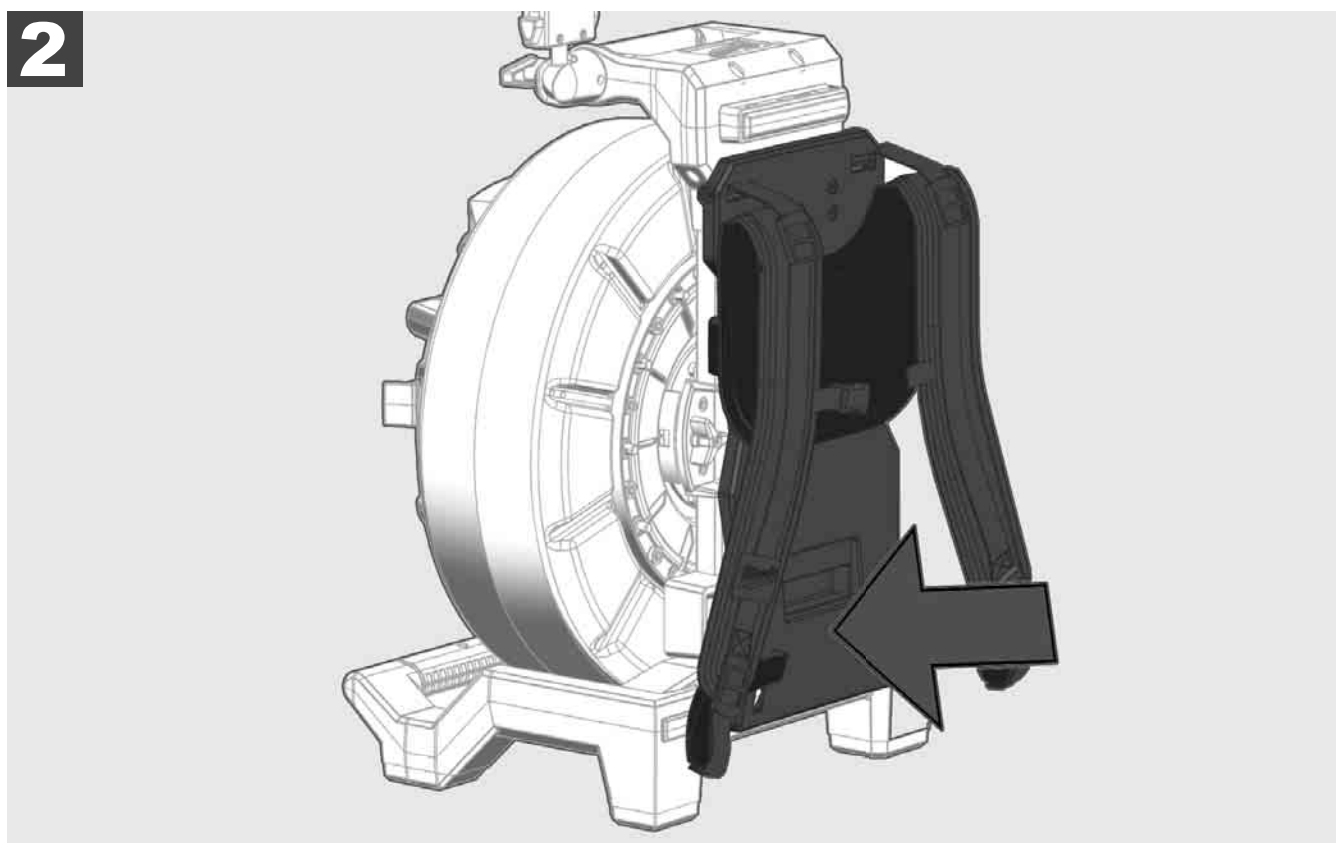
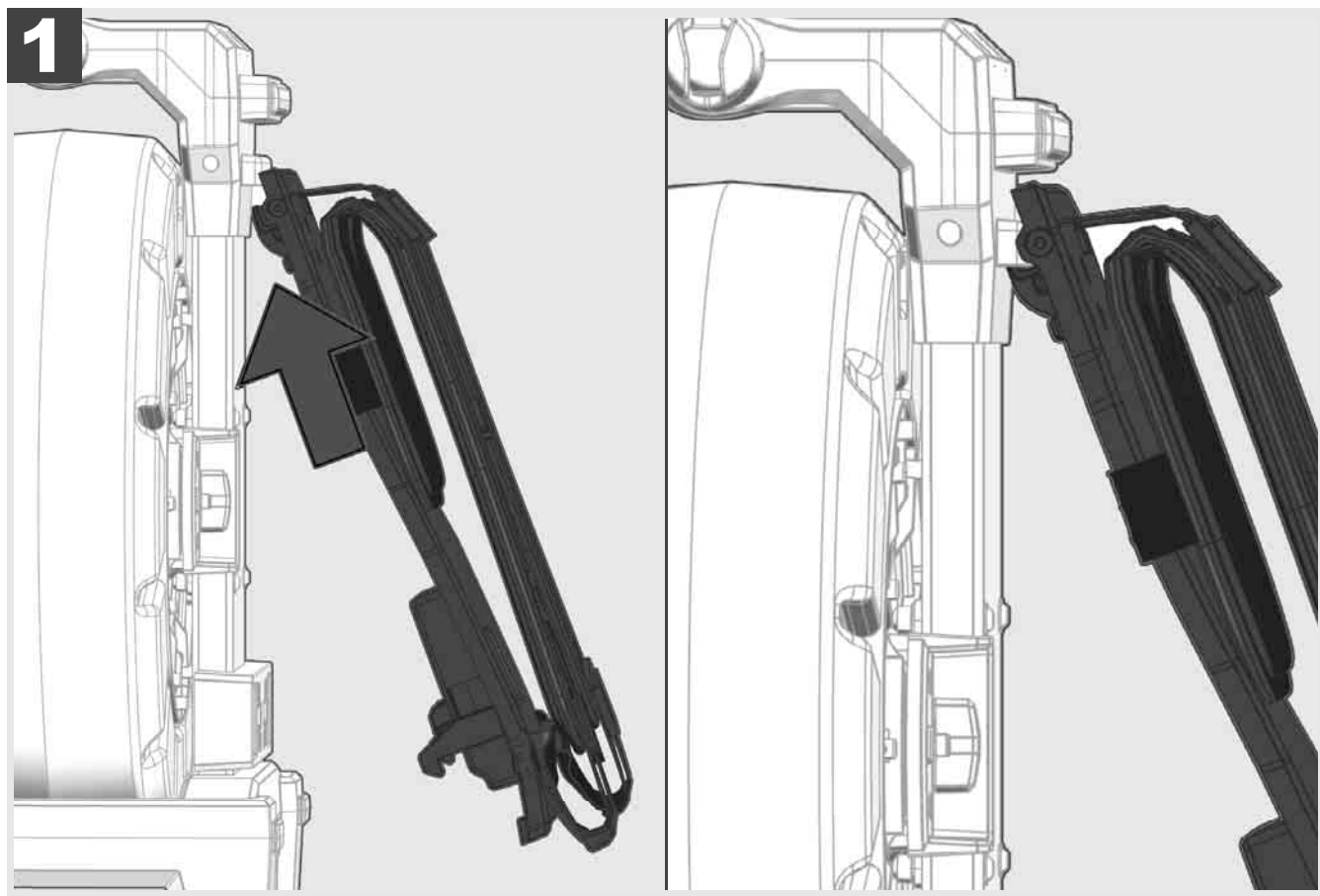
### 3.2 Преглед на макарата за проверка на цевките M18 SIC60



- 1 Израмнувачка нога за хоризонтална употреба
- 2 Извлечива рачка (во вметната позиција)
- 3 Копче за заклучување и отклучување на извлечивата рачка
- 4 Безжичен монитор M18 SIM – држач / држач за таблет и конектор
- 5 Безжичен монитор M18 SIM – осигурување на вртењето
- 6 Безжичен монитор M18 SIM – осигурување на навалувањето
- 7 Рачка
- 8 Кабелска макара со кабел за туркање
- 9 Израмнувачка нога за вертикална употреба
- 10 Тркала
- 11 Кочница на кабелската макара

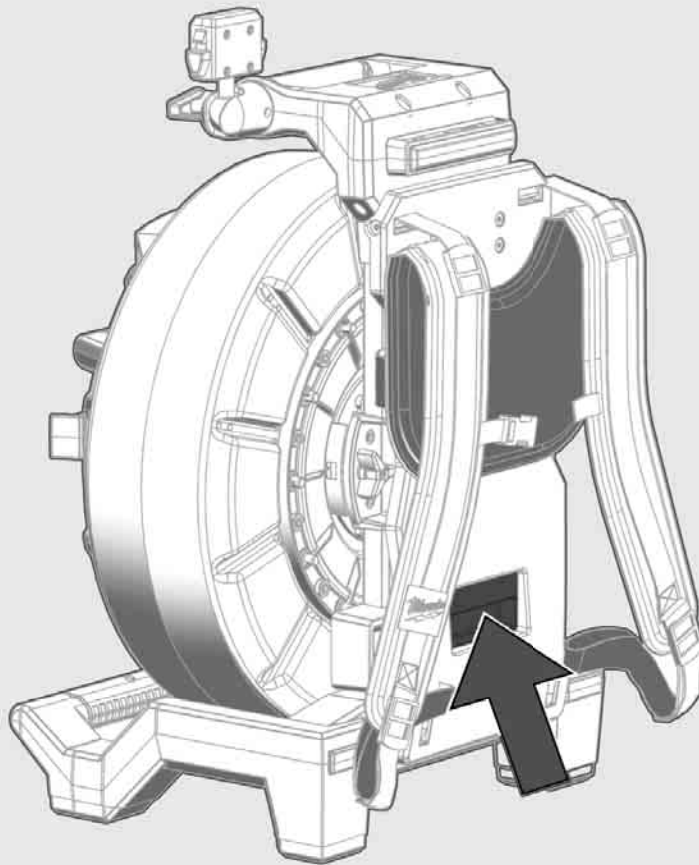
### 3.3 Инсталирање на носачот

МАКАРАТА ЗА ПРОВЕРКА НА ЦЕВКИТЕ M18 SIC36 е опремена со носач со кој макарата може да се носи на грб како ранец. Ово овозможува малата макара полесно да се транспортира до местото на употреба, што е особено корисно кога се качувате по скала или користите скала.

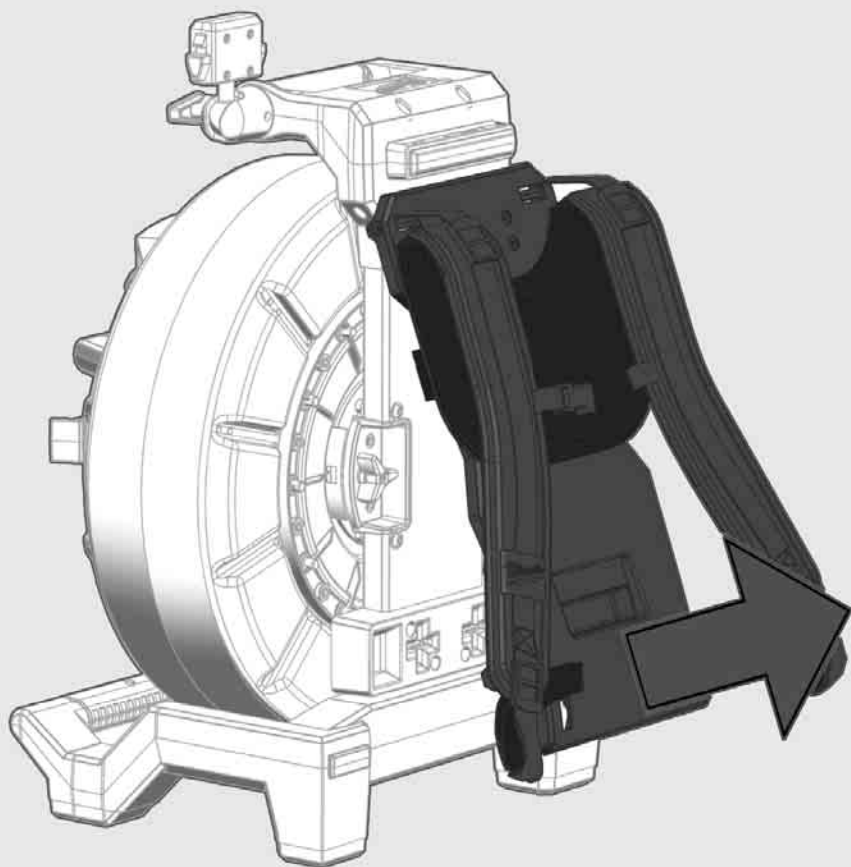


Прикачете го носачот на горниот дел и притиснете го со раката кон долната страна сè додека носачот не се заклучи на место. Повлечете го носачот кратко за да се осигурате дека е заклучен на место.

**1**

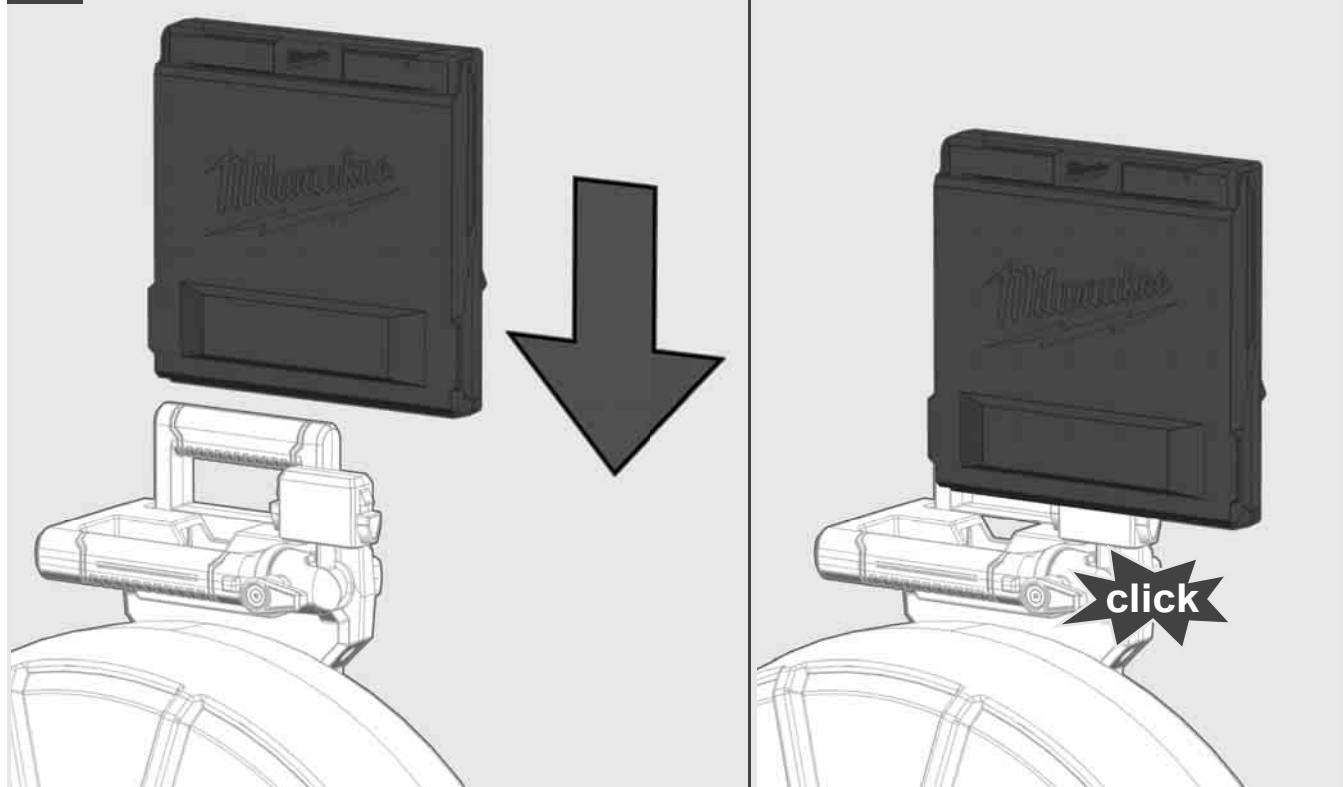


**2**

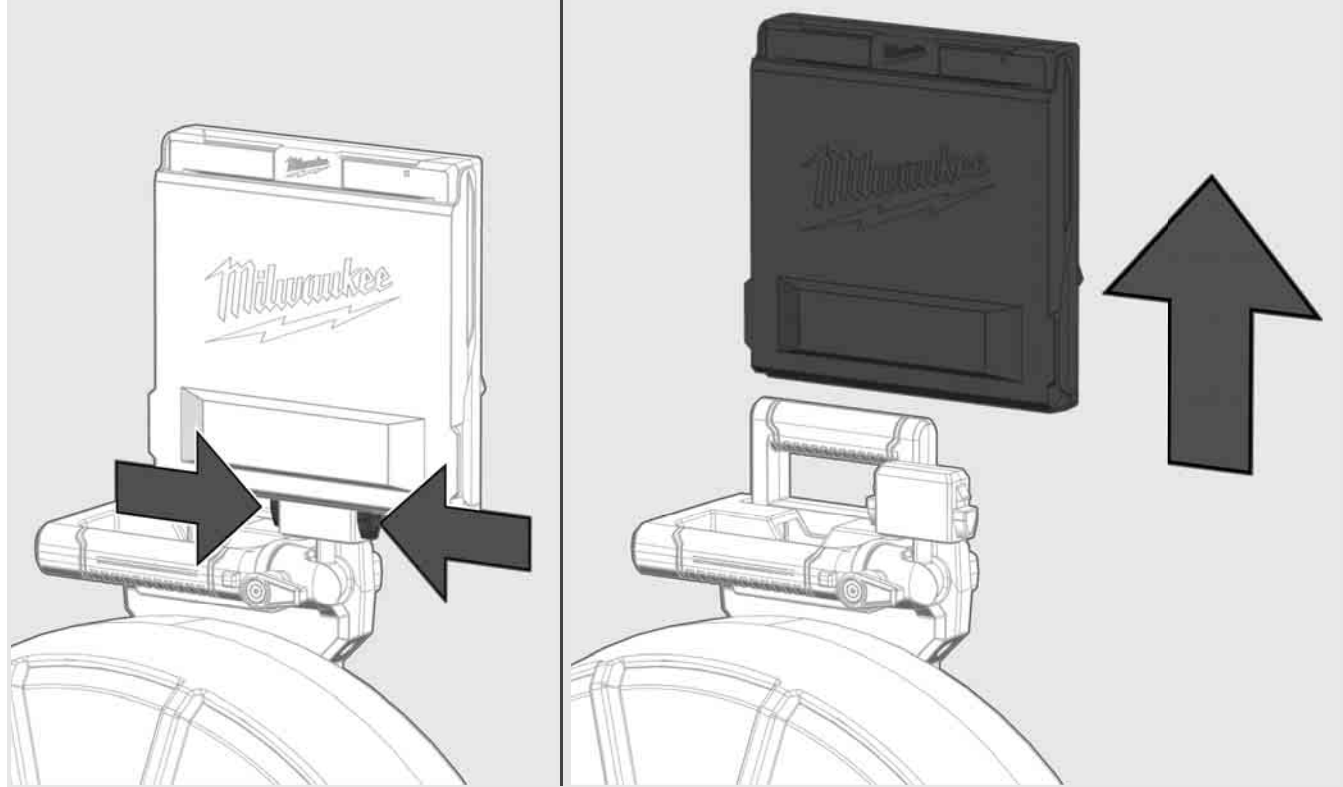


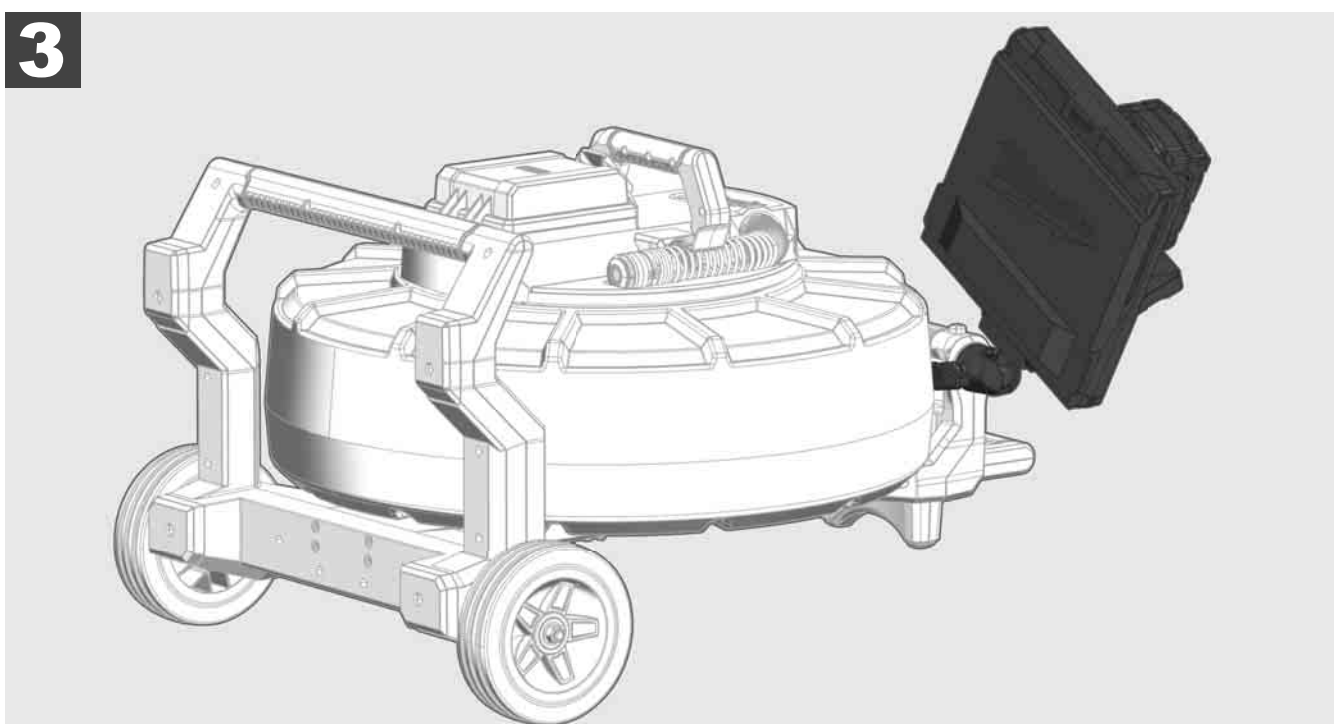
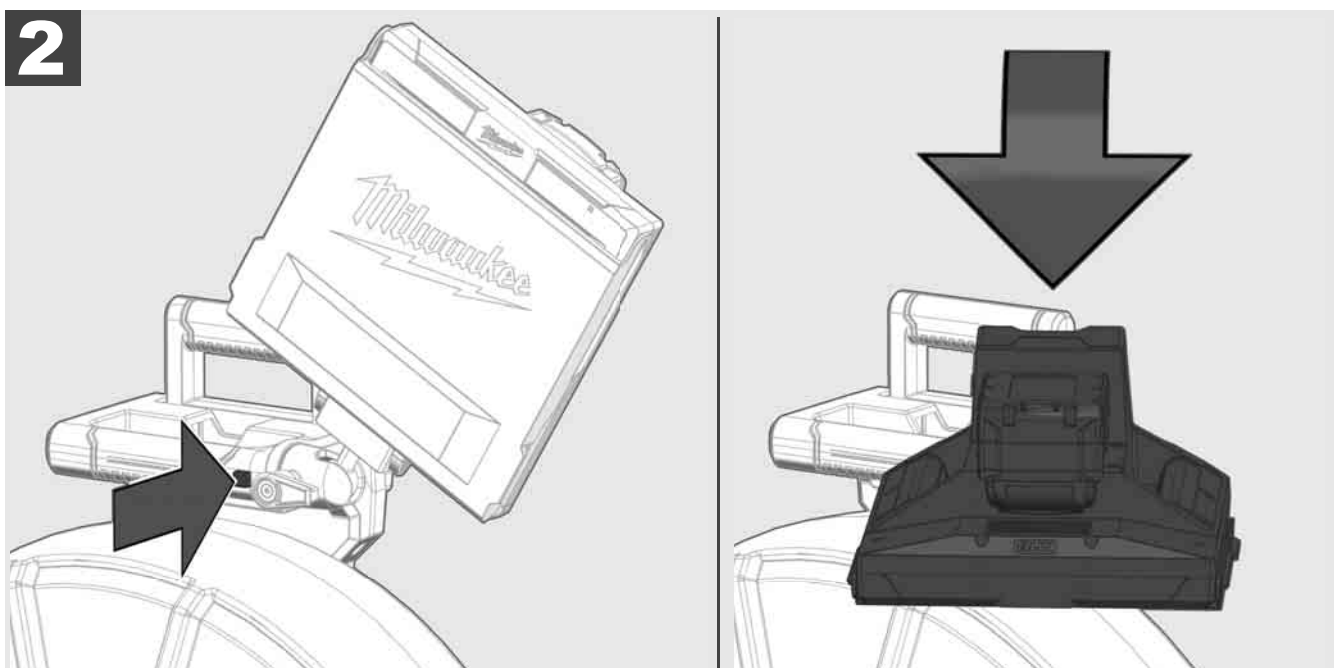
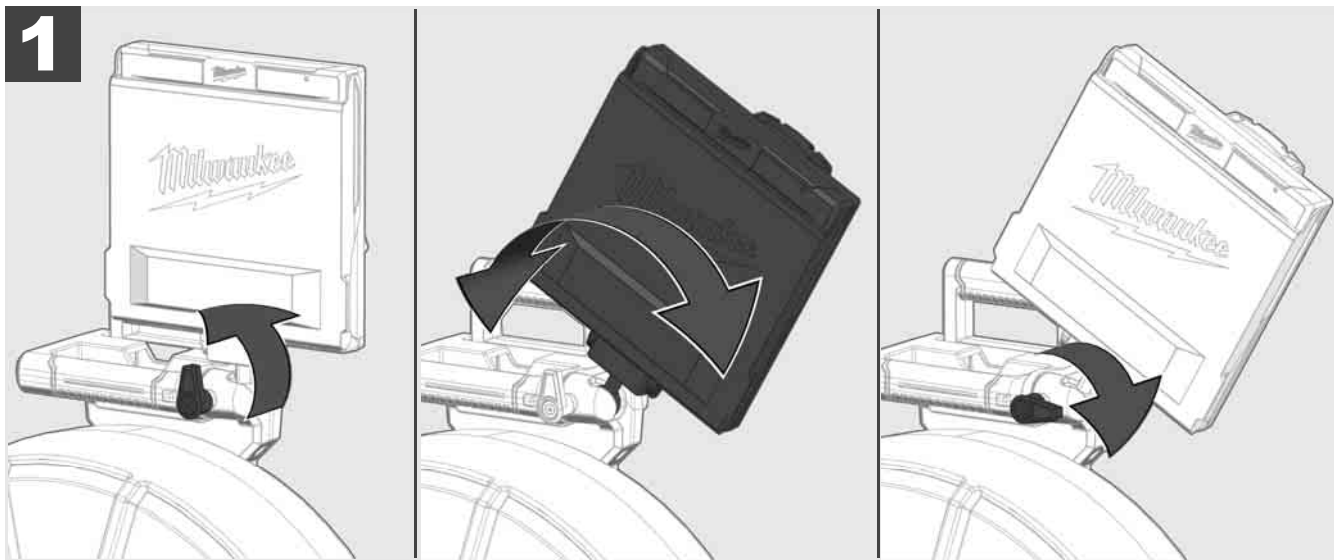


**1**



**2**





### 3.7 Употреба на макарата за проверка на цевките



Проверка на кабелот за туркање за знаци на абење – Кога намотувате кабелот, проверете го за исекотини, кршења и истрошени места. Ако обвивката е толку истрошена дека може да се види жолта или бела кевлар плетенка, кабелот за туркање треба да се замени. Кога користите кабел за туркање со оштетена обвивка, во него можат да навлезат вода и влага, што може да влијае на квалитетот на снимките од камерата или да доведе до откажување на камерата. Илустрацијата подолу покажува примери на тешко оштетени обвивки. Ваквите кабли за туркање треба да се заменат што е можно поскоро.

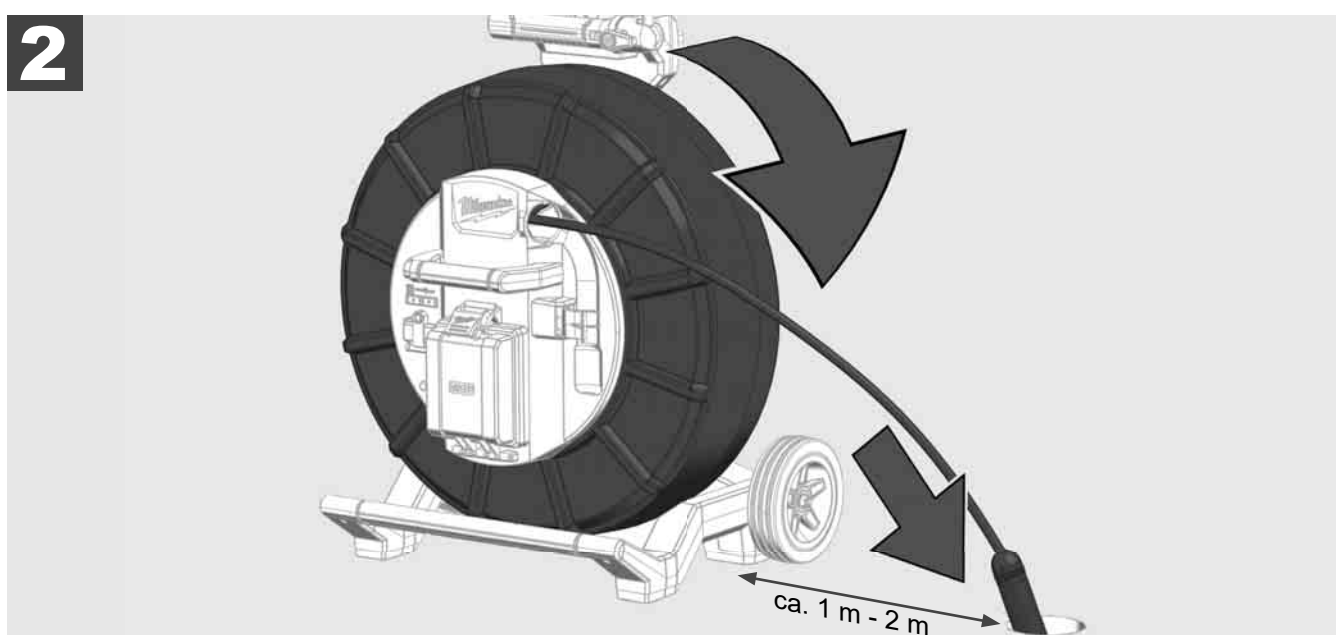
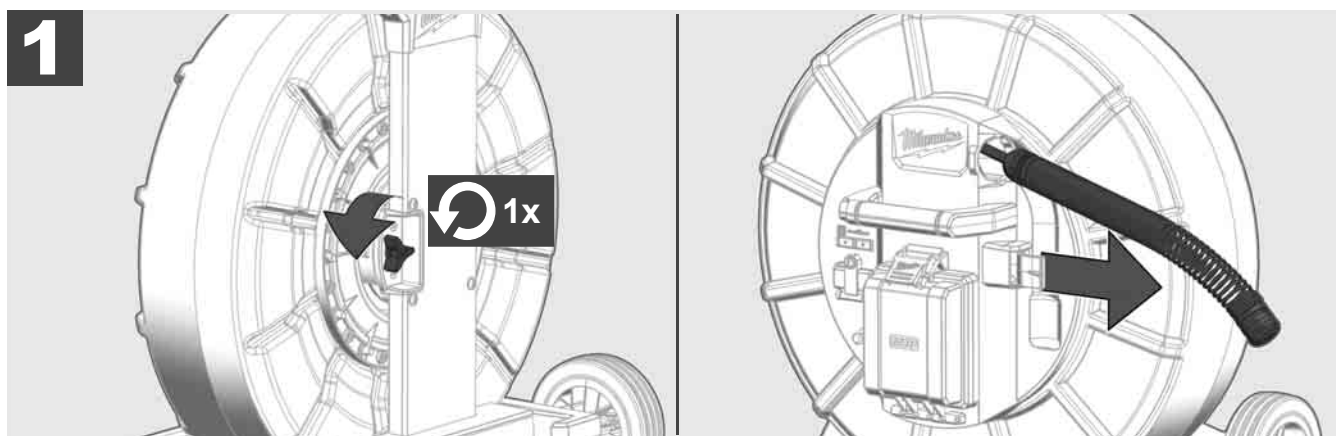


Секогаш чувајте го кабелот за туркање и модулот на пружините сув и чист – Секогаш кога намотувате кабелот, чистете го со чиста, сува крпа. На крајот на работниот ден, внимателно измијте ја главата на камерата и пружината под проточна вода. Протресете ги деловите или издувајте вишок вода со сув воздух под мал притисок и потоа исушете ги деловите. При секојдневната употреба главата на камерата, кабелот за туркање и деловите за поврзување се изложени на агресивни хемикалии. Внимателното чистење на системот ќе го продолжи животот на овие делови.

Внимателно ракувајте со кабелот за туркање – Не извлекувајте го кабелот за туркање кога макарата е заклучена. Инаку кабелот ќе биде смачкан во макарата и ќе биде преоптоварен. Од друга страна, ако го притиснете кабелот за туркање назад во заклучената макара, ролната може да се преврти или кабелот да се скрши.

Ставете ја макарата на рамна површина околу 1 до 2 метри од влезната точка. На тој начин ќе остане доволно простор за ракување со кабелот, без да повлекувате јамки на кабелот на подот. Доколку е потребно, притиснете ја кочница за триење, за да го забавите движењето на кабелот за туркање.

Ако макарата се користи во хоризонтална положба, растојанието меѓу нозете се зголемува. На овој начин положбата на макарата станува постабилна на нерамно тло и ја намалува висината, што е предност во тесни места.





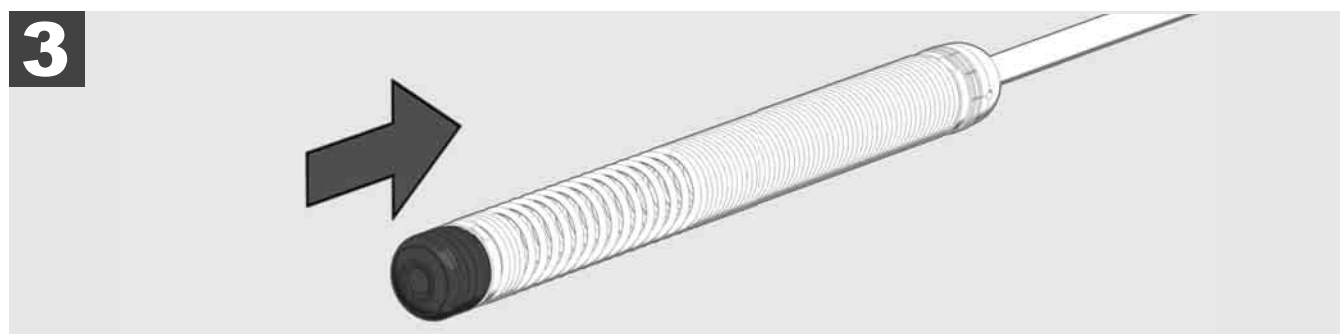
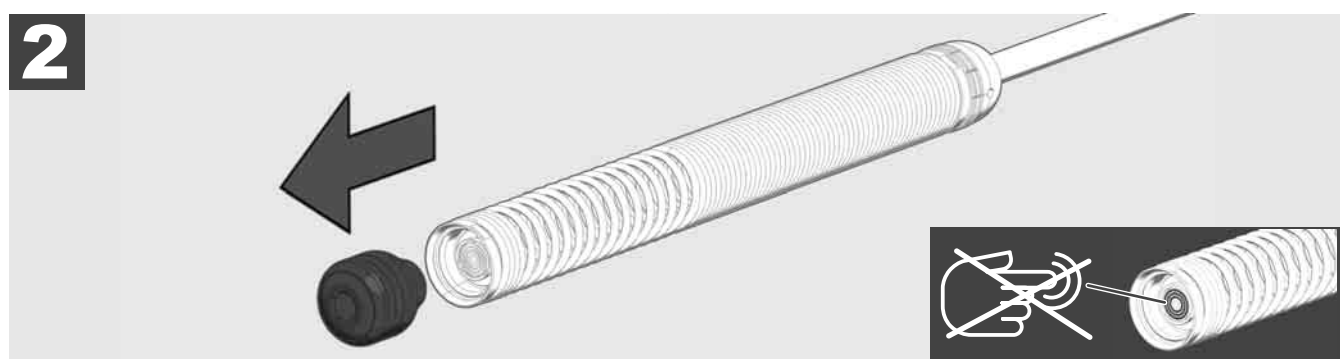
### 3.8 Модул на главата на камерата



Доколку е можно, не ги допирајте со голи раце зелената печатена плочка или златните контакти на модулот на пружината или главата на камерата. Инаку, масниот слој од прстите се пренесува на овие компоненти, што може да доведе до нивната прерана корозија. Ако е можно, носете чисти и суви гумени нараквици.

Избришете ја главата на камерата пред да ја отстраните и отстранете ја нечистотијата што може да падне во областа за поврзување на камерата.

Не затегнувајте премногу и не користете прекумерна сила!



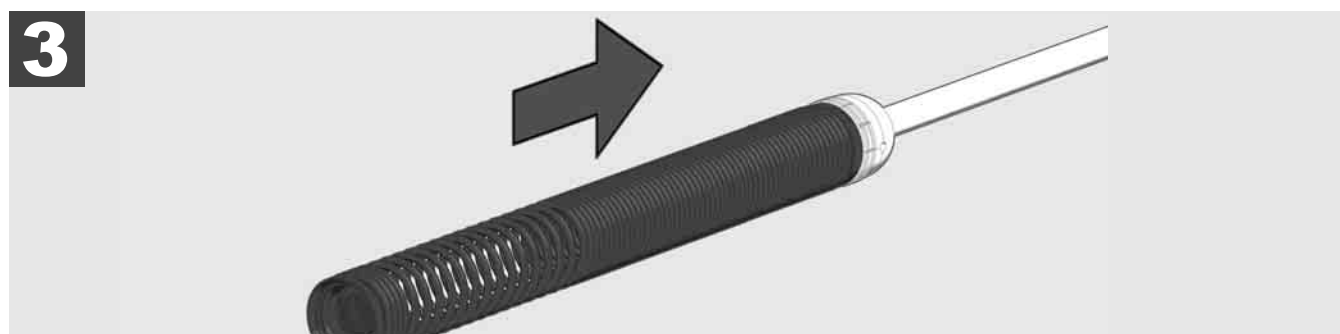
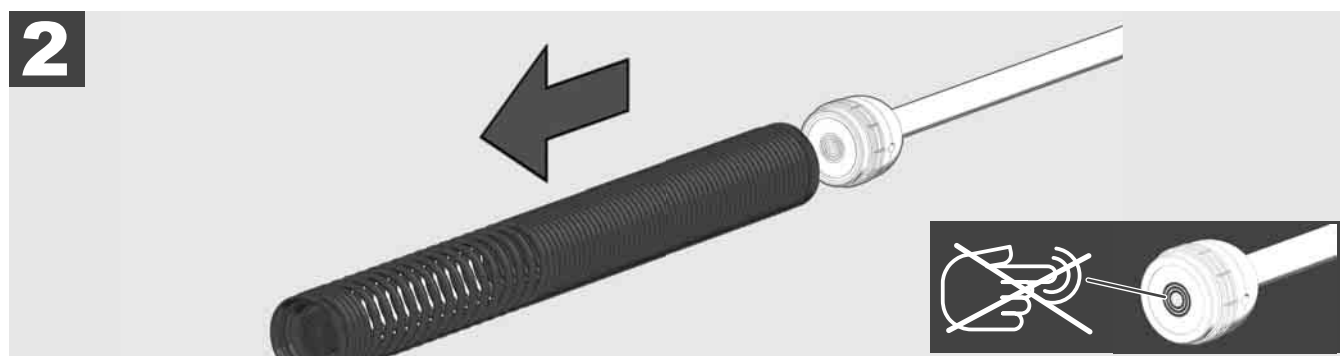
### 3.9 Модул на пружината



Доколку е можно, не ги допирајте со голи раце зелената печатена плочка или златните контакти на модулот на пружината или главата на камерата. Инаку, масниот слој од прстите се пренесува на овие компоненти, што може да доведе до нивната прерана корозија. Ако е можно, носете чисти и суви гумени нараквици.

Избришете ја главата на камерата пред да ја отстраните и отстранете ја нечистотијата што може да падне во областа за поврзување на камерата.

Не затегнувајте премногу и не користете прекумерна сила!



### 3.10 Поклопец за заштита на камерата

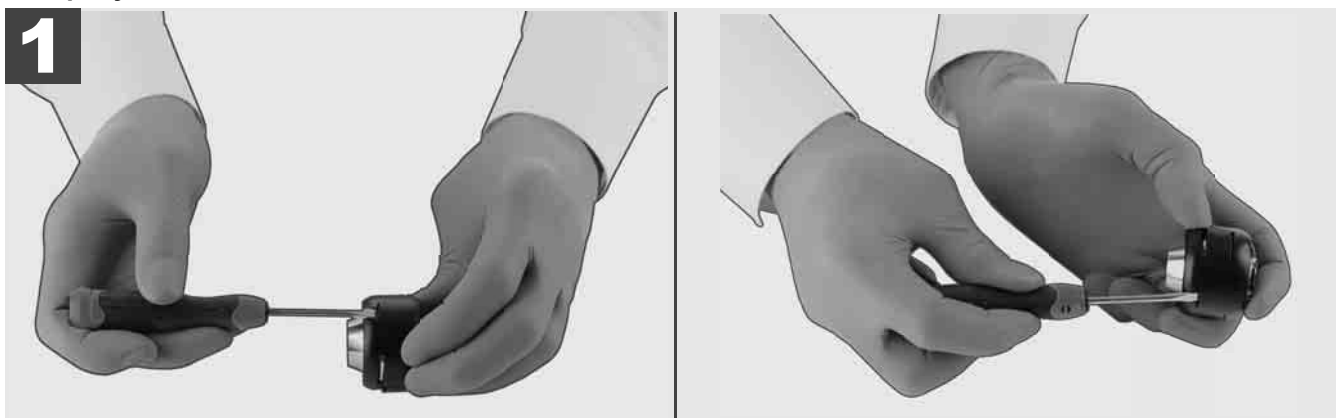


Поклопци за заштита – Погодни за главите на камери со дијаметар од 25 mm или 34 mm. Овие заштитни поклопци се испорачуваат со сите МАКАРИ ЗА ПРОВЕРКА НА ЦЕВКИТЕ или глави на камерите за замена.

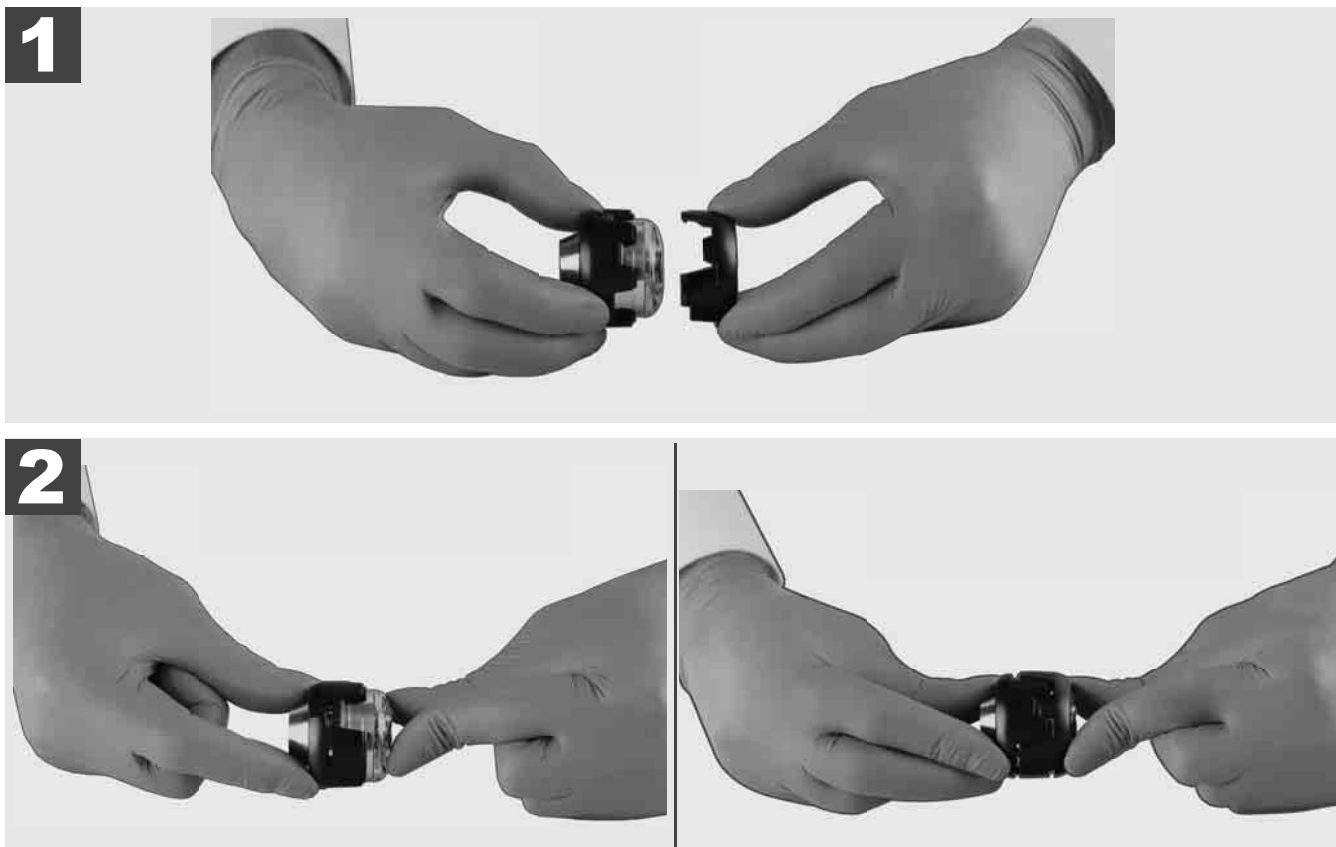
Водилки – Овие водилки се поставени на модулот на пружината така што главата на камерата се движи над подот и не доаѓа во директен контакт со цевката.



#### Отстранување на заштитните поклопци



#### Поставување на заштитните поклопци



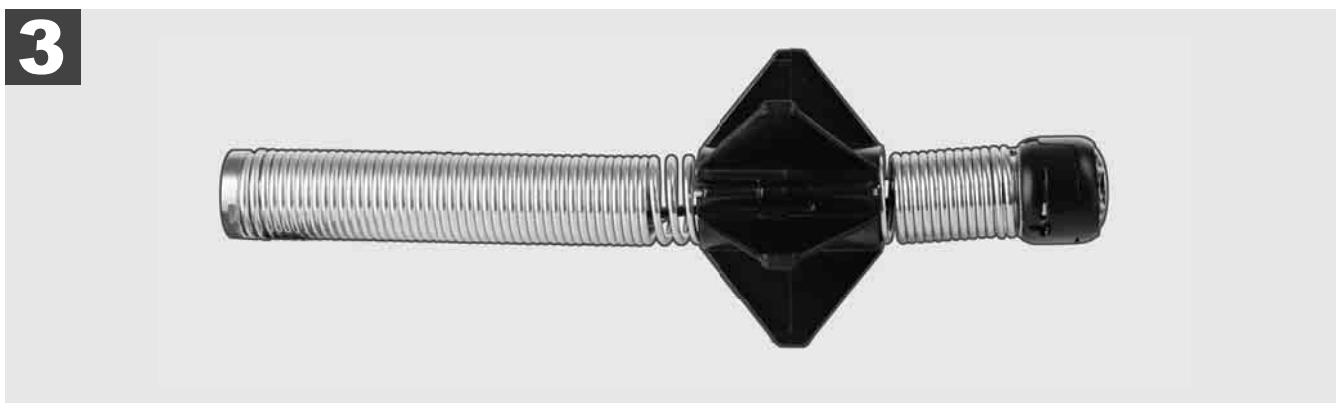
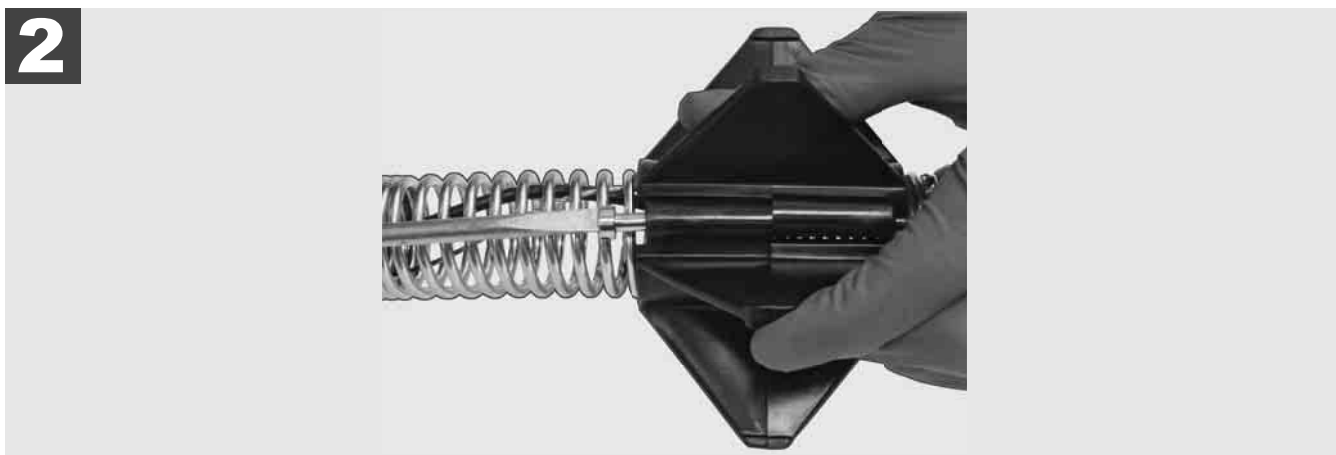
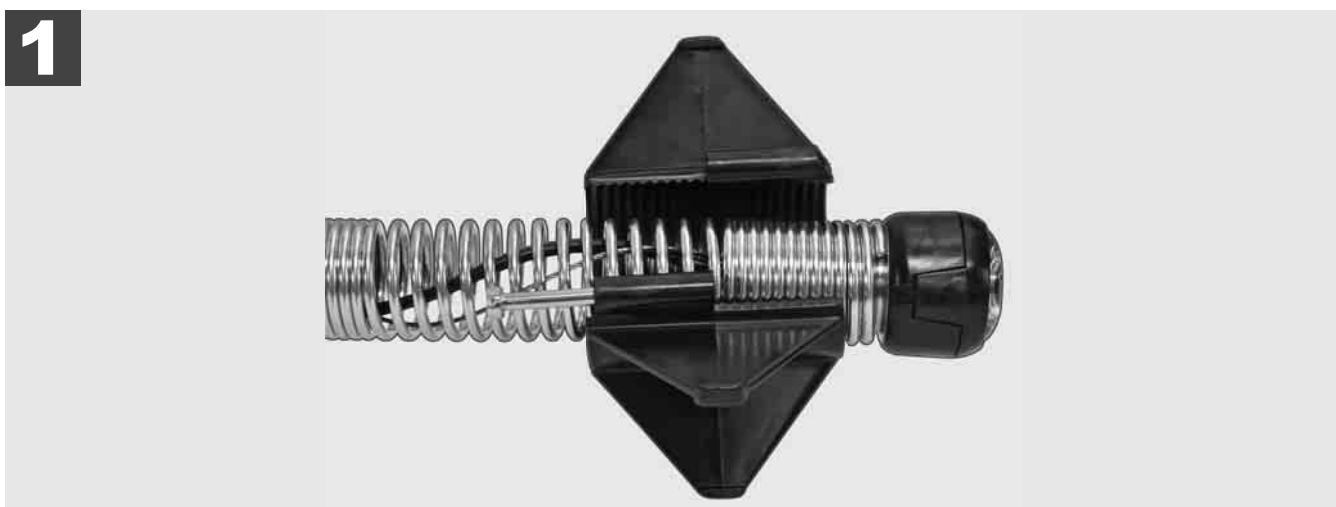
### 3.11 Водилки за камера



Достапни са две водилки за главите на камера од 25 mm и 34 mm: Мала верзија со 75 mm и средна верзија со 100 mm.


Водилка за камера 25 mm

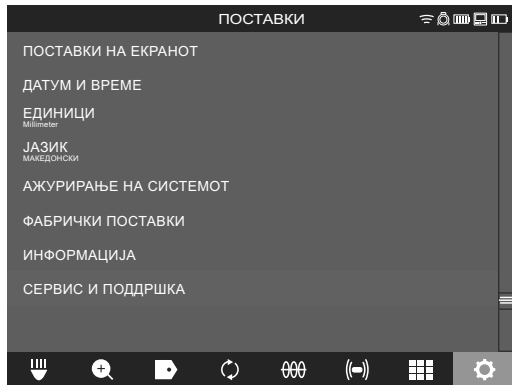
Канал за камера 34 mm



### 3.12 Сервис и поддршка


Ако Вашиот СИСТЕМ ЗА ПРОВЕРКА НА ЦЕВКИТЕ треба да се поправи, можете да отидете на страницата за услуги за алатите Milwaukee и во делот за СЕРВИС И ПОДДРШКА да ги најдете сите важни телефонски броеви.

Изберете **ПОСТАВКИ**  → **СЕРВИС И ПОДДРШКА**




**Milwaukee**  
Nothing but **HEAVY DUTY**®

click →



**M18 SIC36**  
**M18 SIC60**  
**M18 SISH**

click →



**M18 SIM**

click

1	Загальні вказівки.....	2
1.1	Особливі вказівки щодо техніки безпеки для систем інспектування труб.....	2
1.2	Додаткові інструкції з техніки безпеки та експлуатації.....	2
1.3	Технічні характеристики.....	3
1.4	Використання за призначенням.....	3
1.5	Вимоги до радіочастоти щодо європейських установок.....	3
1.6	Декларація ЄС про відповідність.....	4
1.7	ONE-KEY™.....	4
1.8	АКУМУЛЯТОРНІ БАТАРЕЇ.....	4
1.9	Транспортування літій-іонних акумуляторних батарей.....	4
1.10	Обслуговування.....	5
1.11	Символи.....	5
2	Smart Hub M18 SISH.....	6
2.1	Огляд Smart Hub M18 SISH.....	6
2.2	Встановлення та знімання акумуляторної батареї.....	7
2.3	Перевірка рівня заряду акумуляторної батареї.....	8
2.4	Встановлення Smart Hub M18 SISH.....	9
2.5	Знімання Smart Hub M18 SISH.....	10
2.6	Перемикач УВІМК/ВИМК.....	11
2.7	Під'єднання монітору.....	12
2.8	Роз'єми USB.....	13
2.9	Стержень заземлення.....	14
2.10	Скидання лічильника довжини.....	15
2.11	Тестовий роз'єм камери.....	16
2.12	Форматування внутрішнього дисководу та USB-флеш-накопичувача.....	17
2.13	Заводські налаштування.....	18
2.14	Оновлення системи.....	19
3	БАРАБАНИ ДЛЯ ІНСПЕКТУВАННЯ ТРУБ.....	21
3.1	Огляд барабана для інспектування труб M18 SIC36.....	21
3.2	Огляд барабана для інспектування труб M18 SIC60.....	22
3.3	Встановлення пристрою для перенесення.....	23
3.4	Знімання пристрою для перенесення.....	24
3.5	Встановлення бездротового монітору M18 SIM.....	25
3.6	Налаштування бездротового монітору M18 SIM.....	26
3.7	Використання барабана для інспектування труб.....	27
3.8	Вузол головки камери.....	28
3.9	Блок пружин.....	29
3.10	Захисний чохол камери.....	30
3.11	Напрямні камери.....	31
3.12	Сервіс та підтримка.....	32

## 1.1 Особливі вказівки щодо техніки безпеки для систем інспектування труб

При роботах в трубах звертати увагу на те, щоб вони не були під напругою та не мали електричного заряду. Труби не повинні містити рідину. На камеру та пристрій не повинна потрапляти рідина.

На камеру та кабель не повинні потрапляти мастила, газу або інші матеріали, що спричинюють корозію.

Щоб знизити ризик вибуху, ураження електричним струмом та матеріальних збитків, перед виконанням будь-яких робіт завжди перевіряти робочу область. Кабель не повинен контактувати з електричними компонентами, хімікатами або рухомими деталями.

Щоб знизити ризик пошкодження пристрою, не застосовувати надмірну силу та не перегинати кабель. Не застосовувати інспекційну камеру та кабель в тих ділянках, де на них можуть потрапити їдкі або мастильні речовини.

Не використовувати кабель для усунення засмічення або перешкод. Він не є придатним для чищення труб!

Якщо у випускній трубі, що підлягає очищенню, передбачається наявність хімікатів, бактерій або токсичних субстанцій, наприклад збудників інфекцій, під рекомендовані виробником захисні рукавички надіньте латексні або гумові рукавички, а також захисні окуляри, захисний щіток для обличчя, захисний одяг та респіратор. Трубопроводи можуть містити хімікати, бактерії та інші субстанції, які можуть бути токсичними або заразними і викликати роздратування або важкі ушкодження.

Виконуйте правила гігієни. Не слід палити та приймати їжу під час користування пристроєм. Після використання пристрою для системи інспектування труб необхідно ретельно вимити руки та інші частини тіла, що мали контакт з вмістом труб, теплою водою з милом. Це дозволить уникнути ризиків для здоров'я в результаті контакту з токсичними речовинами і збудниками інфекцій.

Перед застосуванням перевірте кабель на наявність слідів зносу й пошкоджень. Замініть зношений або пошкоджений кабель, перш ніж користатися пристроєм.

**ОБЕРЕЖНО!** При транспортуванні системи інспектування труб за допомогою приладу для перенесення на спині необхідно бути обережним. Ви можете втратити рівновагу.

Завжди використовуйте пристрій обачно та обережно. Неможливо передбачити всі небезпечні ситуації. Не використовуйте цей пристрій, якщо ви не розумієте цю інструкцію або відчуваєте перевантаження від роботи. Для отримання додаткової інформації або навчання зв'яжіться з Milwaukee або кваліфікованим фахівцем.

Не видаляйте етикетки та фірмові щітки. Вони містять важливу інформацію. Якщо текст на вказівних табличках стає нечитабельним або відсутній, зверніться до служби підтримки MILWAUKEE для безкоштовної заміни табличок.

Деякі види пилу, який виникає внаслідок роботи пил, шліфувальних та свердлильних машин або від інших будівельних робіт, можуть містити канцерогенні хімічні речовини, які можуть призводити до вроджених дефектів або негативно впливати на репродуктивну функцію. Прикладами такого типу хімічних речовин є:

- свинець із фарб на свинцевій основі,
- кристалічний кремнезем з цегли, цементу або інших матеріалів для кладки, а також
- миш'як або хром з хімічно оброблених будівельних лісоматеріалів.

Ризик впливу залежить від того, як часто ви виконуєте такий тип робіт. Щоб мінімізувати ризик впливу, завжди працюйте у добре провітрюваних приміщеннях. Використовуйте офіційно схвалені засоби захисту, як-от пилозахисні маски з фільтрами мікрочастинок.

## 1.2 Додаткові інструкції з техніки безпеки та експлуатації

Не замінюйте акумуляторну батарею, якщо поверхня інструмента волога.

Відпрацьовані акумуляторні батареї не можна кидати у вогонь або викидати з побутовими відходами. Milwaukee пропонує утилізацію старих акумуляторних батарей, безпечно для довкілля.

Не зберігати акумуляторні батареї разом з металевими предметами (небезпека короткого замикання).

Акумуляторні батареї системи M18 заряджати лише зарядними пристроями системи M18. Не заряджати акумуляторні батареї інших систем.

При екстремальному навантаженні або при екстремальній температурі з пошкодженої акумуляторної батареї може витікати електроліт. При потрапленні електроліту на шкіру його негайно необхідно змити водою з милом. При потрапленні в очі їх необхідно негайно ретельно промити протягом, щонайменше 10 хвилин, та негайно звернутися до лікаря.

**Попередження!** Для запобігання небезпеці пожежі в результаті короткого замикання, травм і пошкодженню виробів не занурюйте пристрій, акумулятор або зарядний пристрій у рідину та не допускайте потрапляння рідини всередину них. Корозійні і струмопровідні рідини, такі як солоний розчин, певні хімікати, вибілювальні засоби або продукти, що їх містять, можуть призвести до короткого замикання.

Цей пристрій не можна обслуговувати або чистити людям з обмеженими фізичними, сенсорними, розумовими можливостями або з недостатнім досвідом чи з недостатніми знаннями, хіба що особа, яка за законом відповідає за їхню безпеку, проінструктувала їх щодо безпечного поводження з пристроєм. Зазначені вище особи при користуванні пристроєм повинні перебувати під наглядом. Цей пристрій не призначений для дітей. Тому якщо ви не користуєтесь пристроєм, його необхідно зберігати у надійному та недоступному для дітей місці.

### 1.3 Технічні характеристики

	M18 SIC36	M18 SIC60	M18 SISH
Довжина кабелю камери .....	36 m.....	60 m	
Головка камери.....	Ø 25 mm.....	Ø 34 mm	
Макс. збільшення .....	4x .....	4x	
Напруга акумуляторної батареї.....			18 V
Вага згідно з процедурою ЕРТА 01/2014 (12 А г).....	12,4 kg.....	20,46 kg.....	5,37 kg
Діапазон частот Bluetooth (діапазони частот).....			2402-2480 MHz
потужність високої частоти .....			1,8 dBm
Версія Bluetooth .....			4.0 BT signal mode
Рекомендована температура довкілля під час роботи.....	-18 ....	+50 °C	
Рекомендовані типи акумуляторів.....	M18B....;	M18HB....	
Рекомендовані зарядні пристрої .....	M12-18C, M12-18AC, M12-18FC, M1418C6		

### 1.4 Використання за призначенням

Система інспектування труб призначена для огляду та інспектування трубопроводів. Система складається з трьох модулів:

#### - Барабан для інспектування труб M18 SIC36 або M18 SIC60

Барабан для інспектування труб призначений для намотування та розмотування, а також для управління проштовхувальним кабелем. Барабани доступні у двох розмірах: M18 SIC36 для труб з діаметром 50–150 мм та більша модель M18 SIC60 для труб з діаметром 75–250 мм.

Обидва барабани оснащено проштовхувальним кабелем з блоком пружин, на який монтується самовирівнювана головка камери. Бездротовий монітор M18 SIM та Smart Hub M18 SISH можуть застосовуватися з обома барабанами.

Обидва барабани можуть використовуватися як вертикально, так і горизонтально. Щоб переносити пристрій на спині, на задній стороні M18 SIC36 можна закріпити пристрій для перенесення.

#### - Smart Hub M18 SISH

Smart Hub M18 SISH призначений для управління системою інспектування труб.

Для отримання відео або зображення, бездротовий монітор M18 SIM або планшет, на якому встановлено застосунок Milwaukee® для інспектування труб, з'єднується з Smart Hub M18 SISH. Відео та зображення зберігаються на внутрішньому дисководі Smart Hub M18 SISH.

#### - Бездротовий монітор M18 SIM (не входить в обсяг поставки; можна придбати окремо)

Бездротовий монітор M18 SIM дозволяє переглядати записані головкою камери відео, записувати відео та фото, а також відтворювати відеофайли та файли зображень. Під час запису відео можна записувати коментарі, які надиктовуються через внутрішній мікрофон. Завдяки функції «Мітки» можна також додавати тексти коментарів. Тексти коментарів відображаються у записаному відео та з'являються на фотографіях разом з датою, часом та довжиною розмотаного кабелю.

Цей пристрій можна використовувати тільки за призначенням так, як вказано в цьому документі.

### 1.5 Вимоги до радіочастоти щодо європейських установок

Вказівка: цей пристрій було перевірено, та він перебуває у межах граничних значень приймача категорії 3 відповідно до EN 300 440 V2.1.1.

Ці граничні значення мають забезпечувати відповідний захист від радіотехнічних завод у житлових будинках.

Цей пристрій реагує на інші пристрої, які передають радіохвилі у частотному діапазоні 2402–2480 МГц. Через це, при використанні пристрою дистанційного керування, можуть виникати завади. Не можна виключати можливість того, що за певних умов можуть проявлятися завади. Щоб встановити, чи впливають на цей пристрій радіосигнали інших пристроїв, вимкніть інші пристрої на короткий час для перевірки, чи завади у такому випадку зникнуть. Наступні заходи можуть допомогти усунути завади:



- Вимкніть джерело завад.
- Збільшіть відстань від джерела завад.
- Зверніться за консультацією до спеціалізованого дилера або кваліфікованого радіотехніка.

## 1.6 Декларація ЄС про відповідність

Ця компанія „Techtronic Industries GmbH“ заявляє, що радіоустановка типу M18SISH відповідає вимогам Директиви 2014/53/ЄС. З повним текстом сертифікату відповідності ЄС можна ознайомитися в Інтернеті за адресою: <http://services.milwaukeeetool.eu>

## 1.7 ONE-KEY™

Щоб дізнатися більше про функціональні можливості ONE-KEY для цього пристрою, ознайомтеся з короткою інструкцією, яка додається, або відвідайте нашу сторінку в інтернеті - [www.milwaukeeetool.com/one-key](http://www.milwaukeeetool.com/one-key). Застосунок ONE-KEY доступний для завантаження на ваш смартфон через App Store або Google Play.

У разі виникнення електростатичного розряду з'єднання Bluetooth переривається. У цьому випадку слід відновити з'єднання вручну.

Пристрій відповідає мінімальним вимогам згідно з EN 55014-2:2015 / EN 301489-1 V2.2.3 / EN 301489-17 V3.1.1.

### Індикатор ONE-KEY™

Індикатор горить синім: Радіозв'язок активний і його можна встановити за допомогою програми ONE-KEY™.

Індикатор блимає синім: пристрій зв'язується з програмою ONE-KEY™.

Індикатор блимає червоним: пристрій був заблокований з міркувань безпеки і його може розблокувати оператор через програму ONE-KEY™.

## 1.8 АКУМУЛЯТОРНІ БАТАРЕЇ

Акумуляторну батарею, що не використовувалася тривалий час, перед використанням необхідно підзарядити.

Температура понад 50 °C зменшує потужність акумуляторної батареї. Уникати тривалого нагрівання сонячними променями або системою обігріву.

З'єднувальні контакти зарядного пристрою та акумуляторної батареї повинні бути чистими.

Для забезпечення оптимального строку експлуатації акумуляторні батареї після використання необхідно повністю зарядити.

Для забезпечення максимально можливого терміну експлуатації акумуляторні батареї після зарядки необхідно виймати з зарядного пристрою.

При зберіганні акумуляторної батареї понад 30 днів:

Зберігати акумуляторну батарею за температури нижче 27 °C в сухому місці.

Зберігати акумуляторну батарею в стані зарядки приблизно 30-50 %.

Кожні 6 місяців заново заряджати акумуляторну батарею.

## 1.9 Транспортування літій-іонних акумуляторних батарей

Літій-іонні акумуляторні батареї підпадають під законоположення про перевезення небезпечних вантажів.

Транспортування таких акумуляторних батарей повинно відбуватися із дотриманням місцевих, національних та міжнародних приписів та положень.

- споживачі можуть без проблем транспортувати ці акумуляторні батареї по вулиці.
- Комерційне транспортування літій-іонних акумуляторних батарей експедиторськими компаніями підпадає під положення про транспортування небезпечних вантажів. Підготовку до відправлення та транспортування можуть здійснювати виключно особи, які пройшли відповідне навчання. Весь процес повинні контролювати кваліфіковані фахівці.

При транспортуванні акумуляторних батарей необхідно дотримуватись зазначених далі пунктів:

- Переконайтеся в тому, що контакти захищені та ізольовані, щоб запобігти короткому замиканню.
- Слідкуйте за тим, щоб акумуляторна батарея не переміщувалася всередині упаковки.
- Пошкоджені акумуляторні батареї, або акумуляторні батареї, що потекли, не можна транспортувати.












Для отримання подальших вказівок звертайтеся до своєї експедиторської компанії.

## 1.10 Обслуговування

Використовувати комплектуючі та запчастини тільки від Milwaukee. Деталі, заміна яких не описується, замінювати тільки в відділі обслуговування клієнтів Milwaukee (зверніть увагу на брошуру „Гарантія/адреси сервісних центрів“).

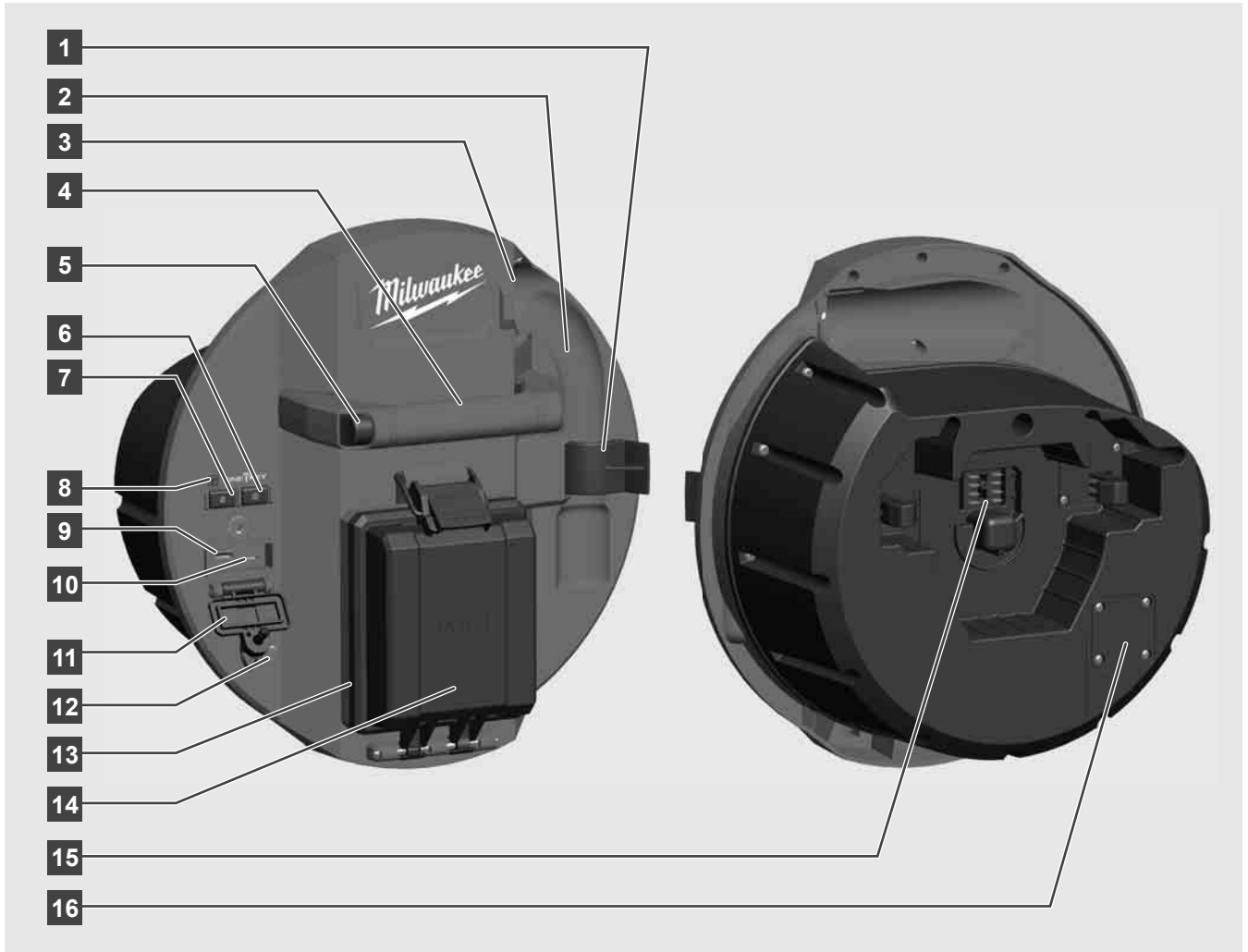
У разі необхідності, у сервісної служби або безпосередньо в Techtronic Industries GmbH, Max-Eyth-Straße 10, 71364 Winnenden, Німеччина, можна запросити складальне креслення пристрою, повідомивши його тип і шестизначний номер, вказаний на фірмовій табличці.

## 1.11 Символи

	УВАГА! ПОПЕРЕДЖЕННЯ! НЕБЕЗПЕЧНО!
	Перед будь-якими роботами на пристрої вийняти акумуляторну батарею.
	Уважно прочитайте інструкцію з експлуатації перед введенням пристрою в дію.
	Носити захисні рукавиці!
	Під час роботи з пристроєм завжди носити захисні окуляри.
	Електропристрої, батареї/акумулятори заборонено утилізувати разом з побутовим сміттям. Електричні пристрої і акумуляторні батареї слід збирати окремо і здавати в спеціалізовану компанію для утилізації відповідно до норм охорони довкілля. Зверніться до місцевих органів або до вашого дилера, щоб отримати адреси пунктів вторинної переробки та пунктів прийому.
	Напруга
	Постійний струм
	Європейський знак відповідності
	Британський знак відповідності
	Український знак відповідності
	Євразійський знак відповідності

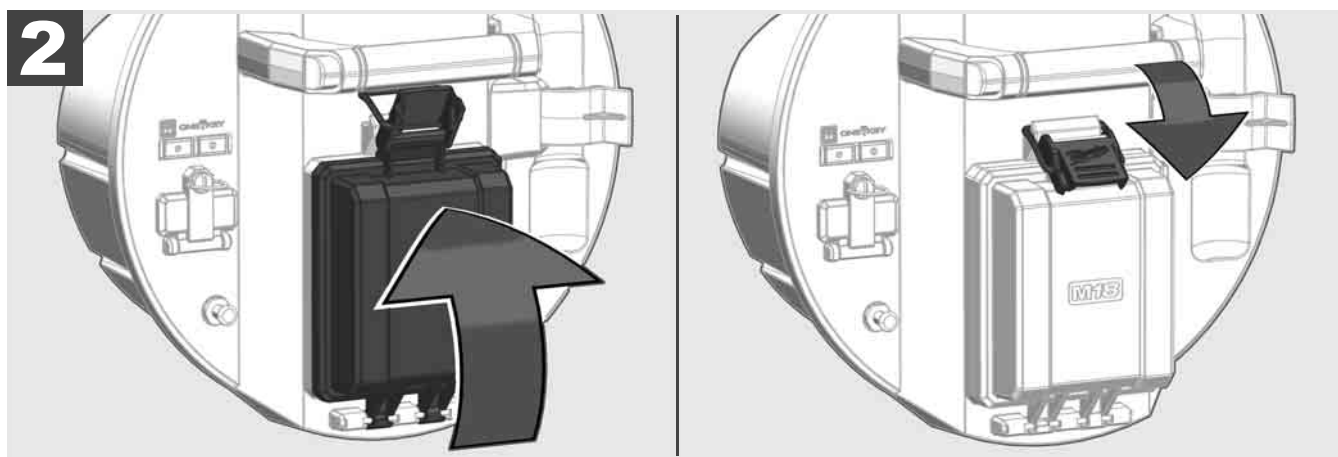
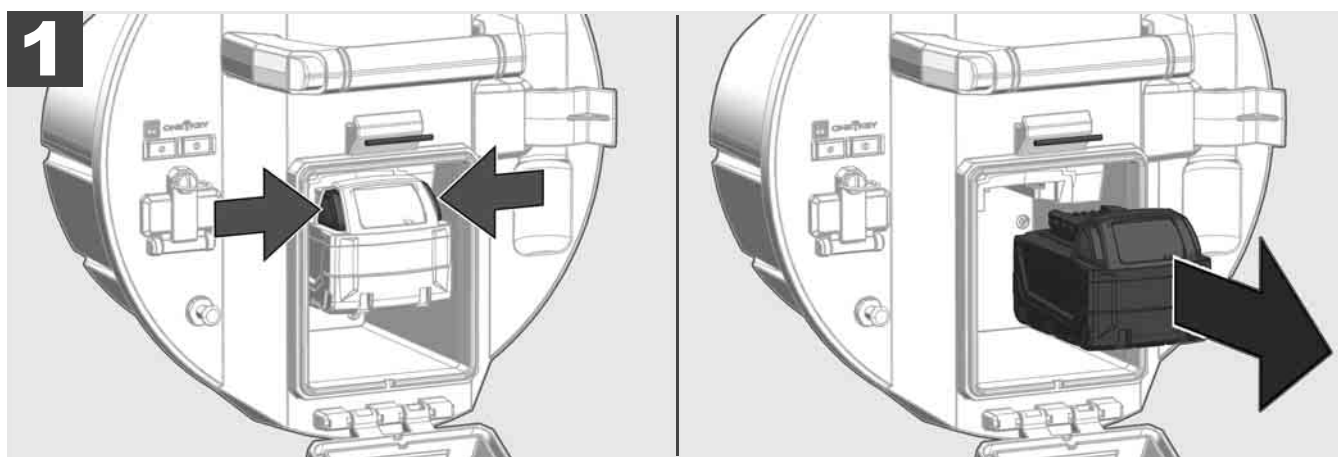
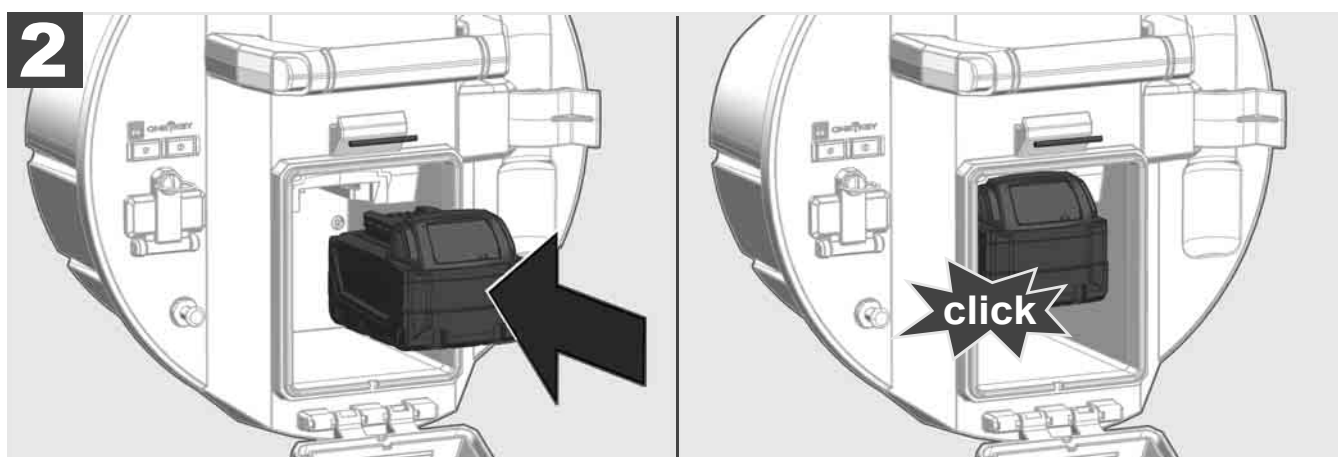
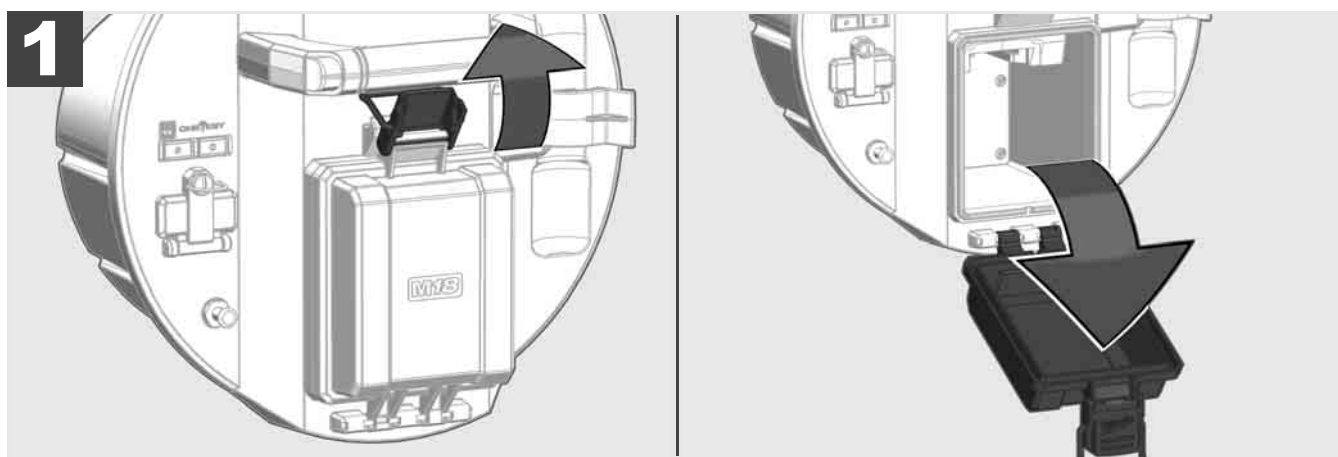
## 2 SMART HUB M18 SISH

### 2.1 Огляд Smart Hub M18 SISH



- 1 Пружинний стопорний затискач — для захисту пружини та камери під час транспортування.
- 2 Опора пружини — утримує пружину та камеру під час транспортування та зберігання на місці.
- 3 Напрямна кабелю — перед фіксацією Smart Hub проведіть пружину та проштовхувальний кабель через напрямну.
- 4 Ручка
- 5 Кнопка розблокування — натисніть цю кнопку для від'єднання Smart Hub від барабана для інспектування труб.
- 6 Головний перемикач — один раз короткочасно натисніть, щоб увімкнути пристрій; утримуйте натиснутим, щоб вимкнути пристрій.
- 7 Кнопка скидання довжини кабелю — онулює довжину розмотаного кабелю.
- 8 Світлодіодний індикатор ONE-KEY
- 9 Роз'єм USB-A — для безпосереднього зберігання відео та фото, а також для оновлень мікропрограмного забезпечення.
- 10 Роз'єм USB-C — опціональний роз'єм для живлення та передачі даних для під'єднання бездротового монітору M18 SIM до Smart Hub.
- 11 Ковпачок USB-роз'єму — водонепроникний ковпачок, який захищає роз'єми USB від пилу та вологи.
- 12 Стержень заземлення — для заземлення Smart Hub при відслідковуванні проштовхувального кабелю.
- 13 Кришка акумуляторної батареї — водонепроникна кришка, яка захищає акумуляторну батарею від пилу та вологи.
- 14 Відділення для акумуляторної батареї — для акумуляторної батареї M18™
- 15 Роз'єм для з'єднання Smart Hub та барабана для інспектування труб.
- 16 Тестовий роз'єм камери — для усунення помилок у випадку проблем з головкою камери

## 2.2 Встановлення та знімання акумуляторної батареї



## 2.3 Перевірка рівня заряду акумуляторної батареї



78-100 %



55-77 %



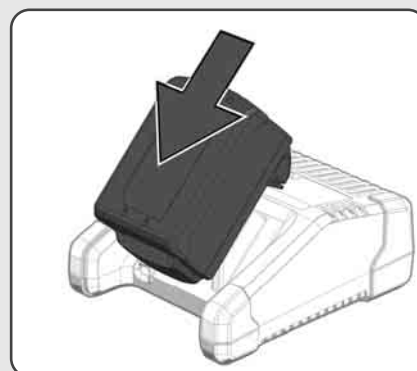
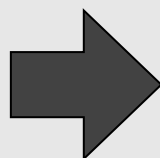
33-54 %

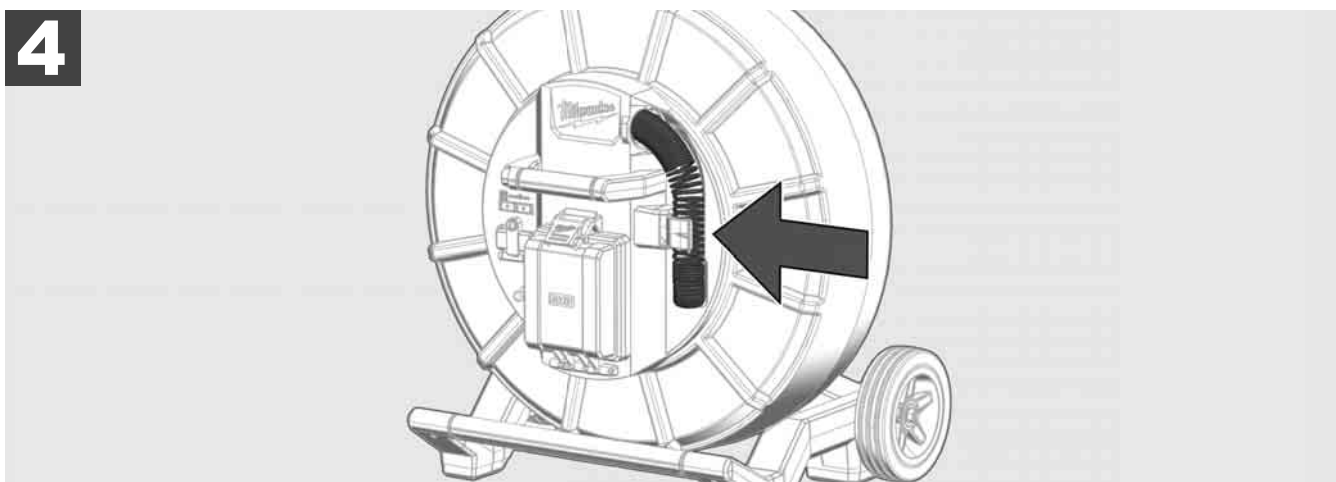
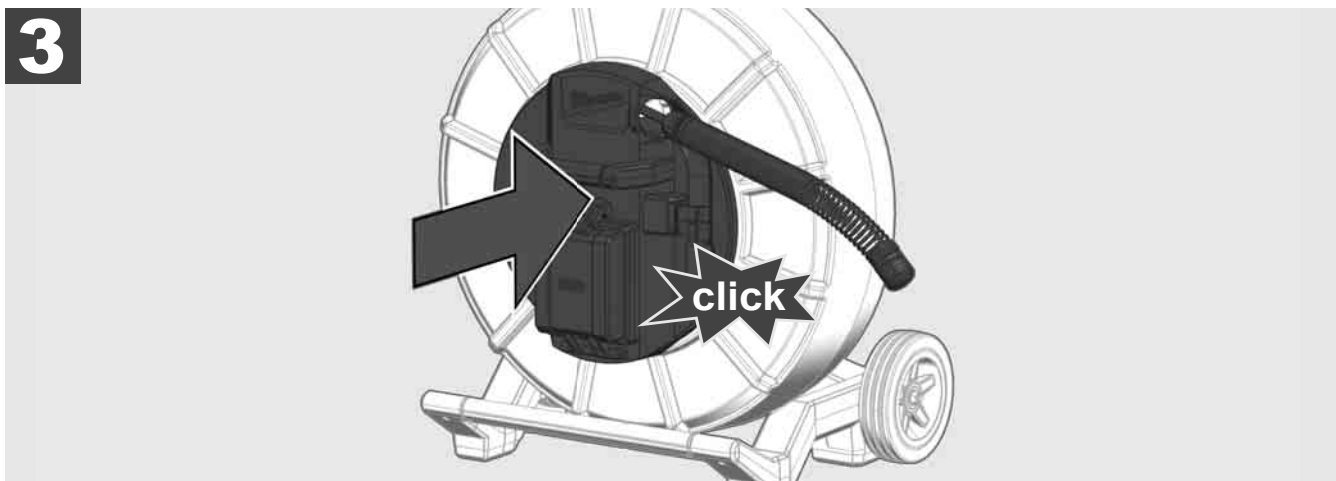
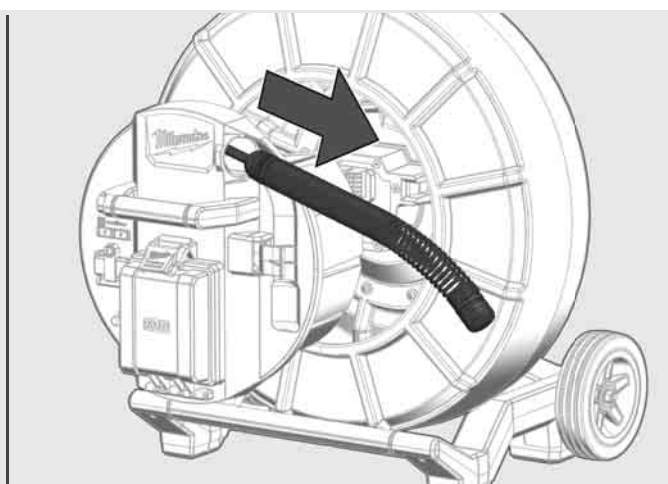
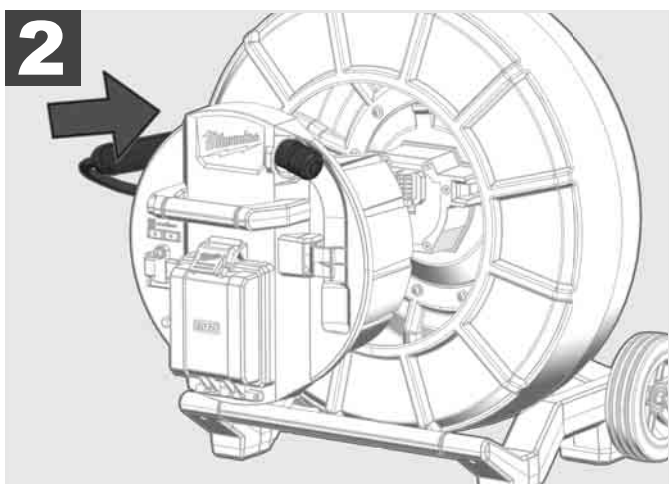
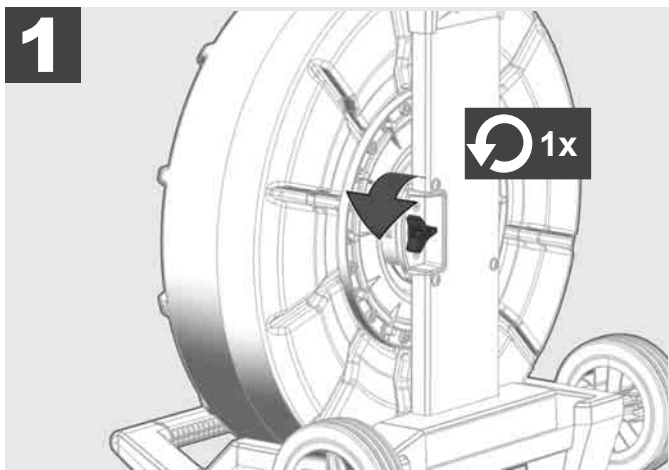


10-32 %



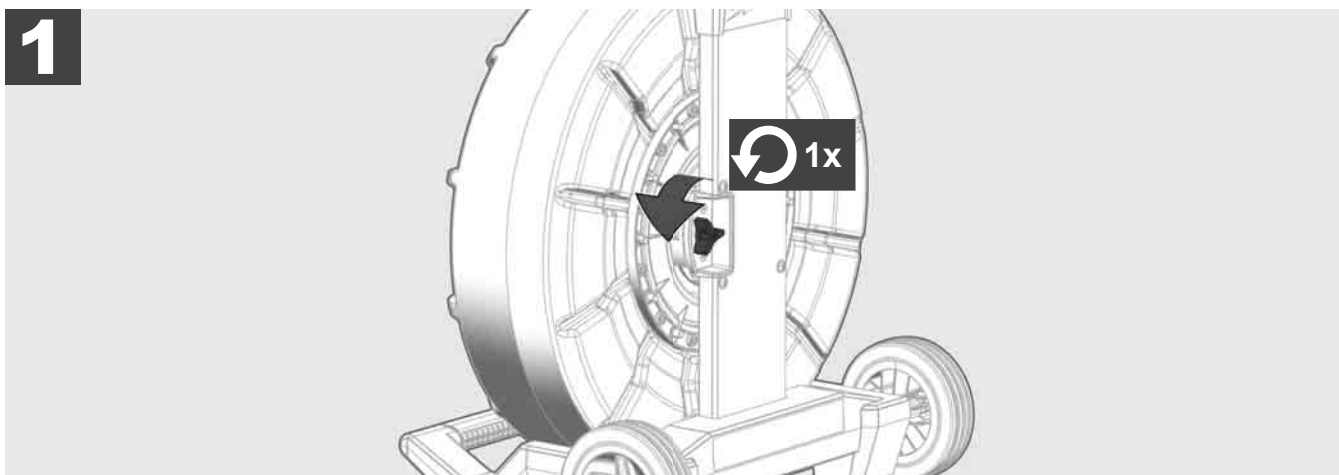
< 10 %



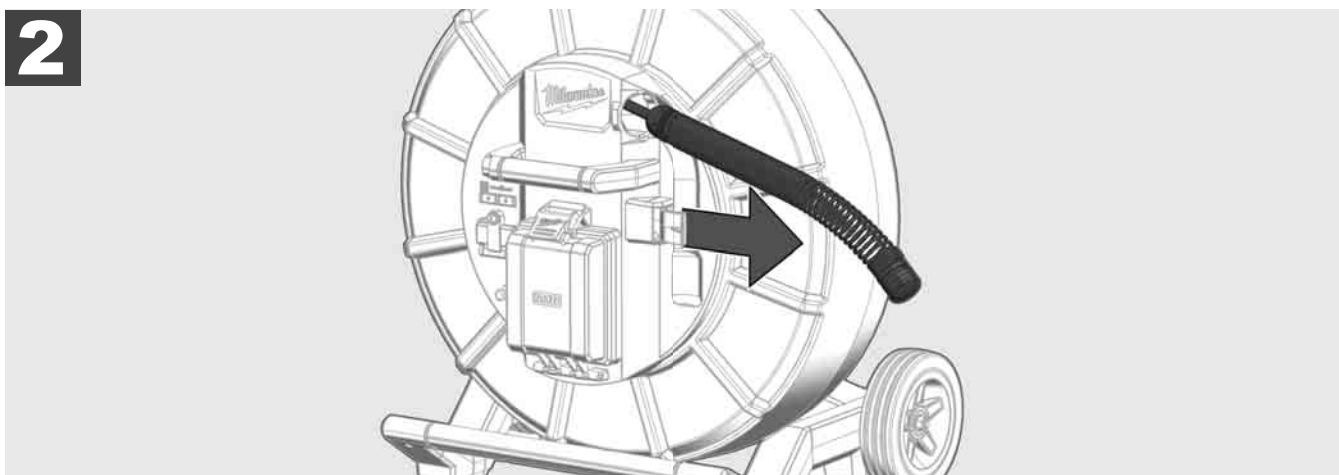




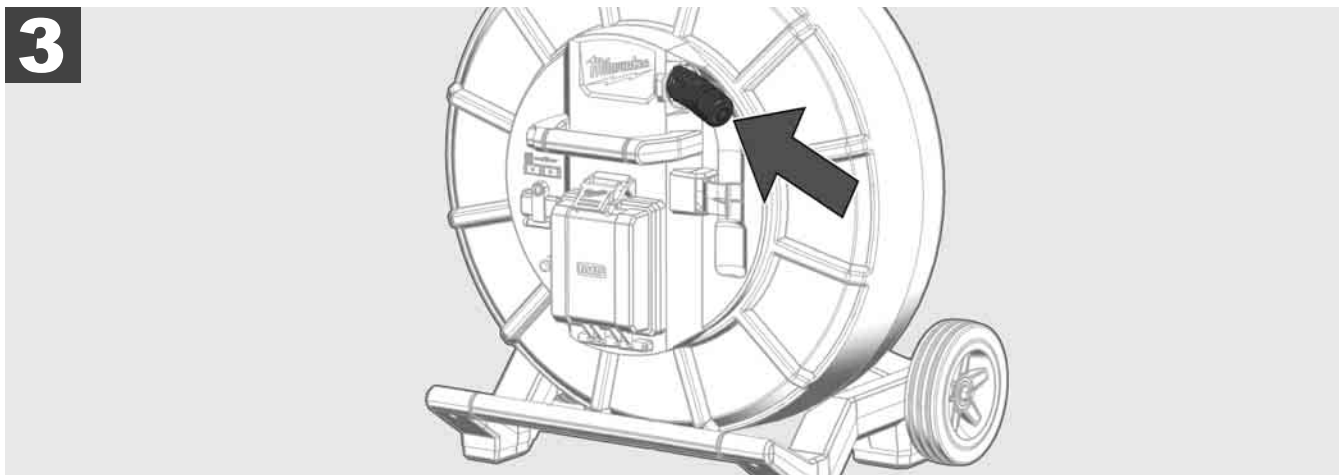
**1**



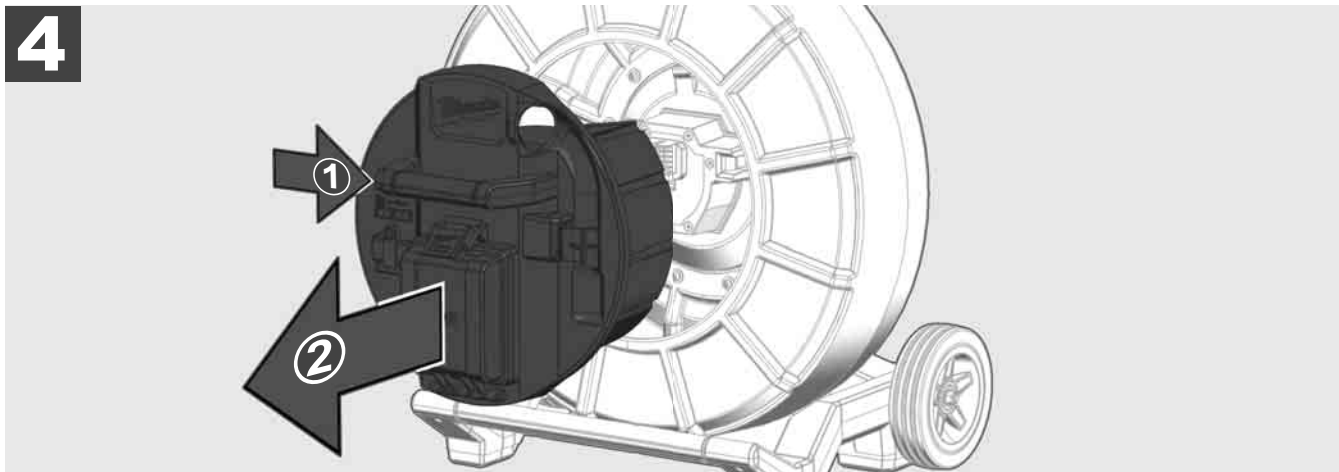
**2**



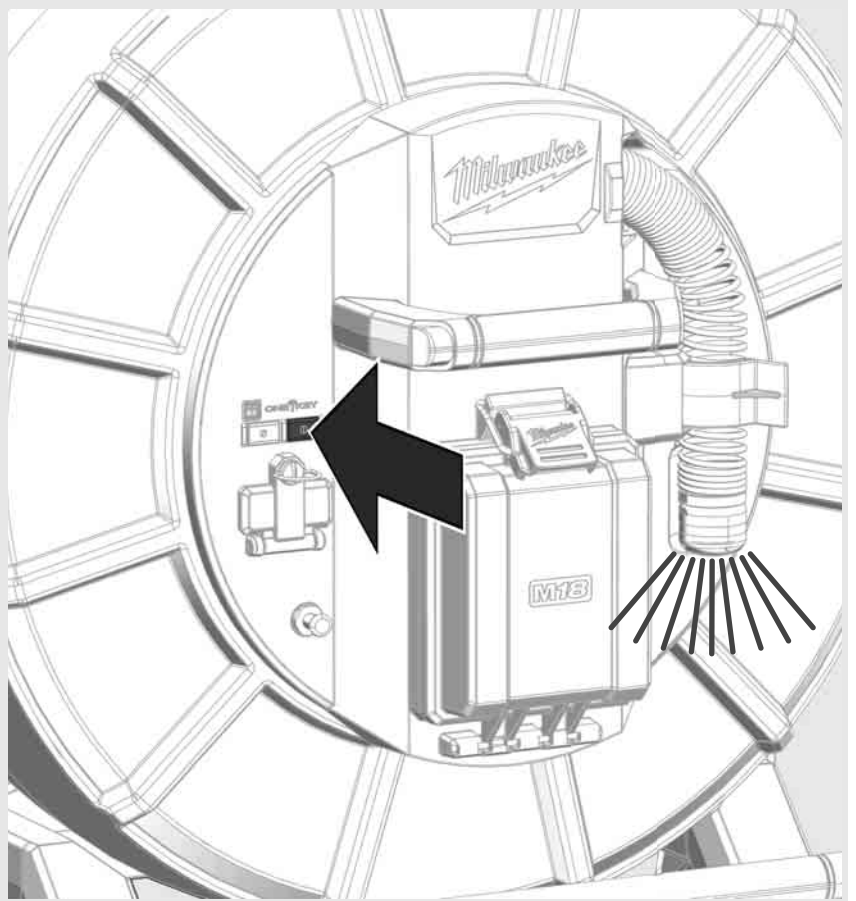
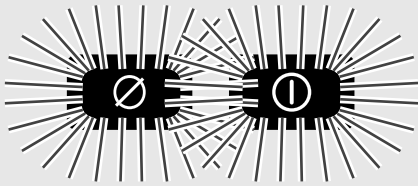
**3**



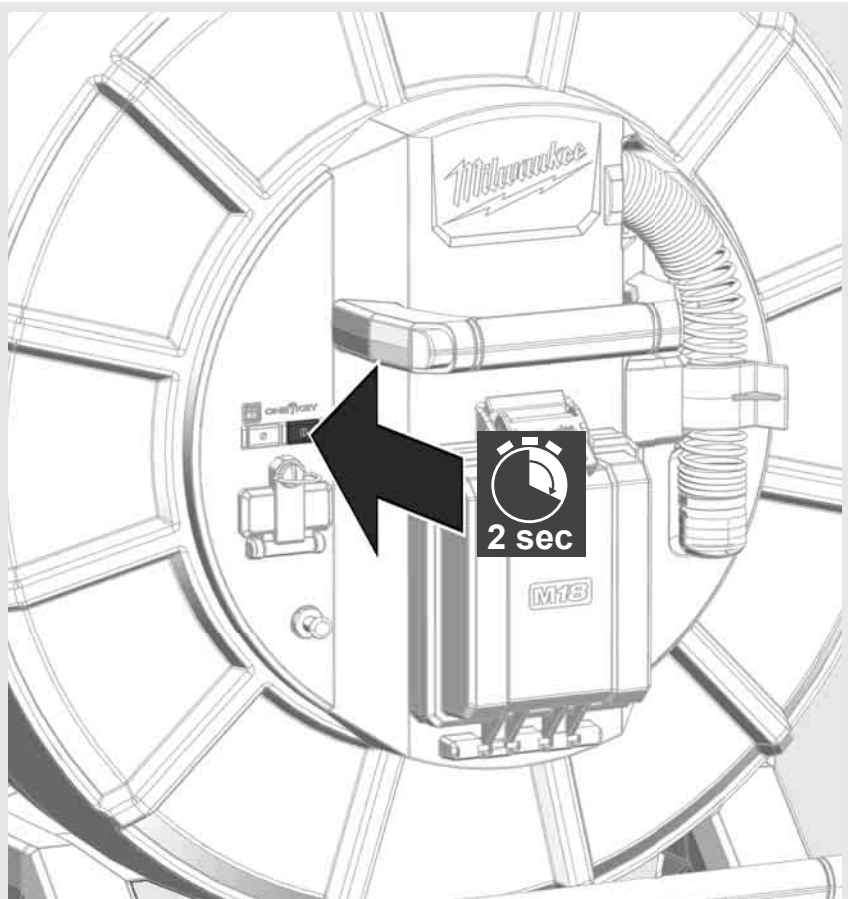
**4**



**ON**



**OFF**





## 2.7 Під'єднання монітору

Щоб змінити налаштування СИСТЕМИ ІНСПЕКТУВАННЯ ТРУБ, щоб управляти її функціями та відображати записані за допомогою камери зображення та відео, потрібен зовнішній пристрій для відображення.

Зовнішній пристрій для відображення не входить до обсягу постачання СИСТЕМИ ІНСПЕКТУВАННЯ ТРУБ і його необхідно докупувати окремо.

Доступні наступні опції:

- БЕЗДРОТОВИЙ МОНІТОР MILWAUKEE M18 SIM
- Планшет або смартфон із ЗАСТОСУНОКОМ MILWAUKEE ДЛЯ ІНСПЕКТУВАННЯ ТРУБ

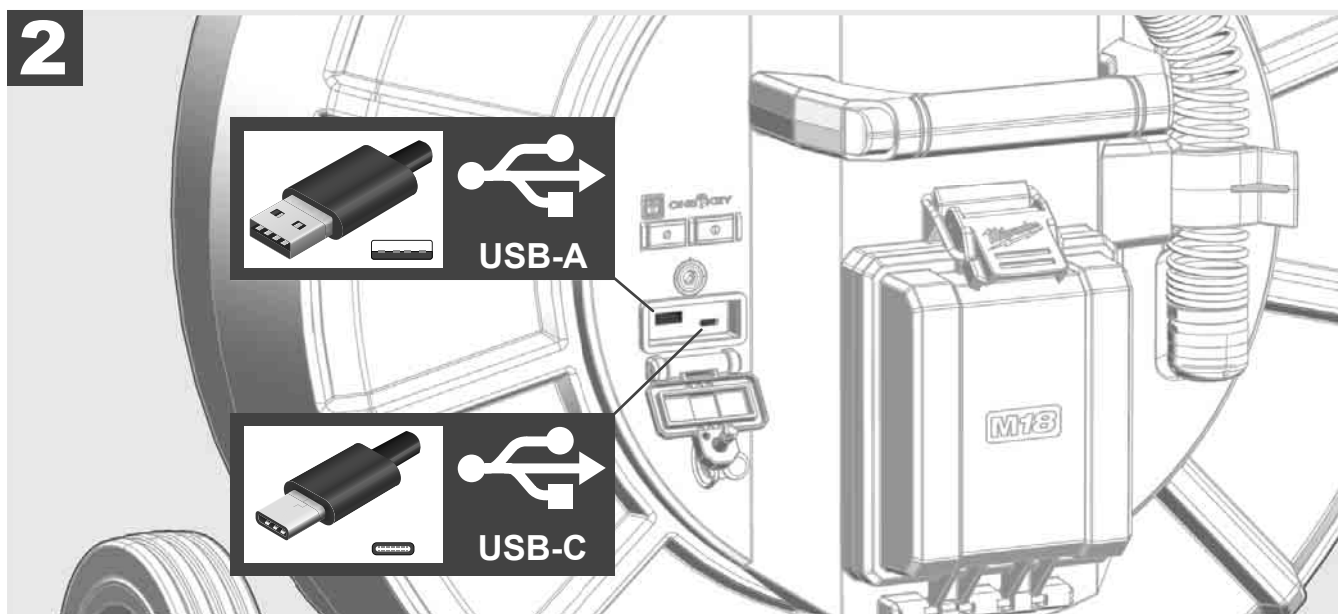
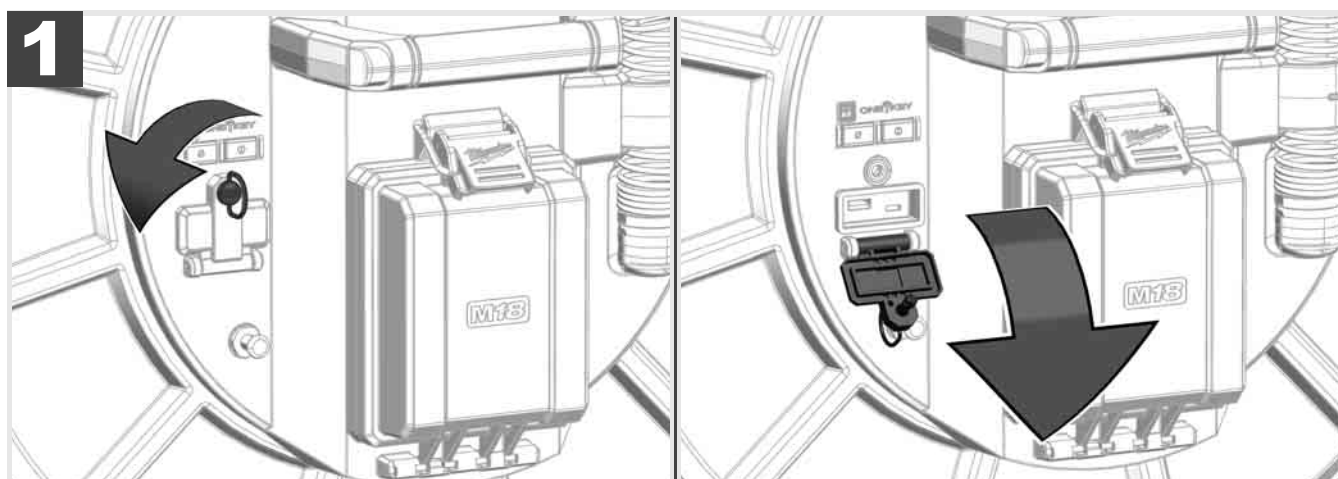
БЕЗДРОТОВИЙ МОНІТОР під'єднується через WLAN або роз'єм USB-C до СИСТЕМИ ІНСПЕКТУВАННЯ ТРУБ і відразу готовий до роботи. При використанні планшета або смартфона спочатку встановіть ЗАСТОСУНОК MILWAUKEE ДЛЯ ІНСПЕКТУВАННЯ ТРУБ на відповідний пристрій.

### **ПЕРШЕ ВИКОРИСТАННЯ З БЕЗДРОТОВИМ МОНІТОРОМ M18 SIM:**

1. увімкніть SMART HUB і БЕЗДРОТОВИЙ МОНІТОР.
2. БЕЗДРОТОВИЙ МОНІТОР автоматично з'єднується з SMART HUB упродовж 25 секунд.  
\*Для кабельного з'єднання монітор слід під'єднати до Smart Hub за допомогою кабелю USB-C.

### **ПЕРШЕ ВИКОРИСТАННЯ ЗІ СМАРТФОНОМ АБО ПЛАНШЕТОМ:**

1. завантажте та встановіть ЗАСТОСУНОК MILWAUKEE ДЛЯ ІНСПЕКТУВАННЯ ТРУБ.
2. Увімкніть SMART HUB і пристрій для відображення.
3. Виберіть опцію «Налаштування» > «WLAN».
4. Виберіть опцію «MTCAM\_[ОСТАННІ 9 ЦИФР СЕРІЙНОГО НОМЕРА БЛОКУ УПРАВЛІННЯ #]».
5. Введіть пароль: 29702000
6. Запустіть ЗАСТОСУНОК MILWAUKEE ДЛЯ ІНСПЕКТУВАННЯ ТРУБ.

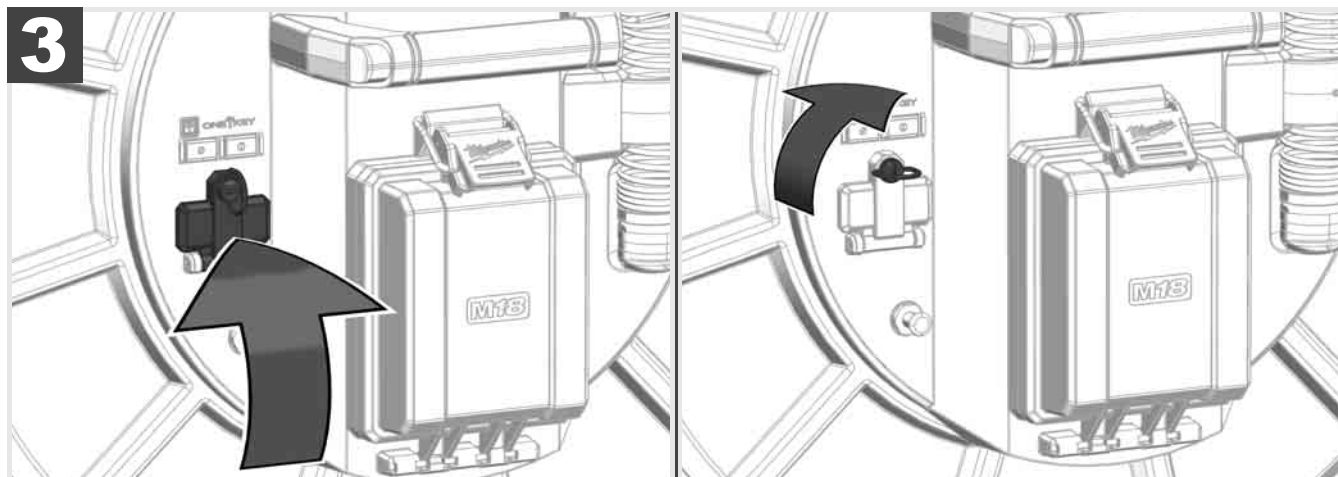


### USB-A

- Роз'єм для стандартного використання. Уможливує прямий запис відеофайлів та файлів зображень або їхню передачу з внутрішнього дисководу Smart Hub.
- Дозволяє виконувати оновлення мікропрограмного забезпечення на Smart Hub.

### USB-C

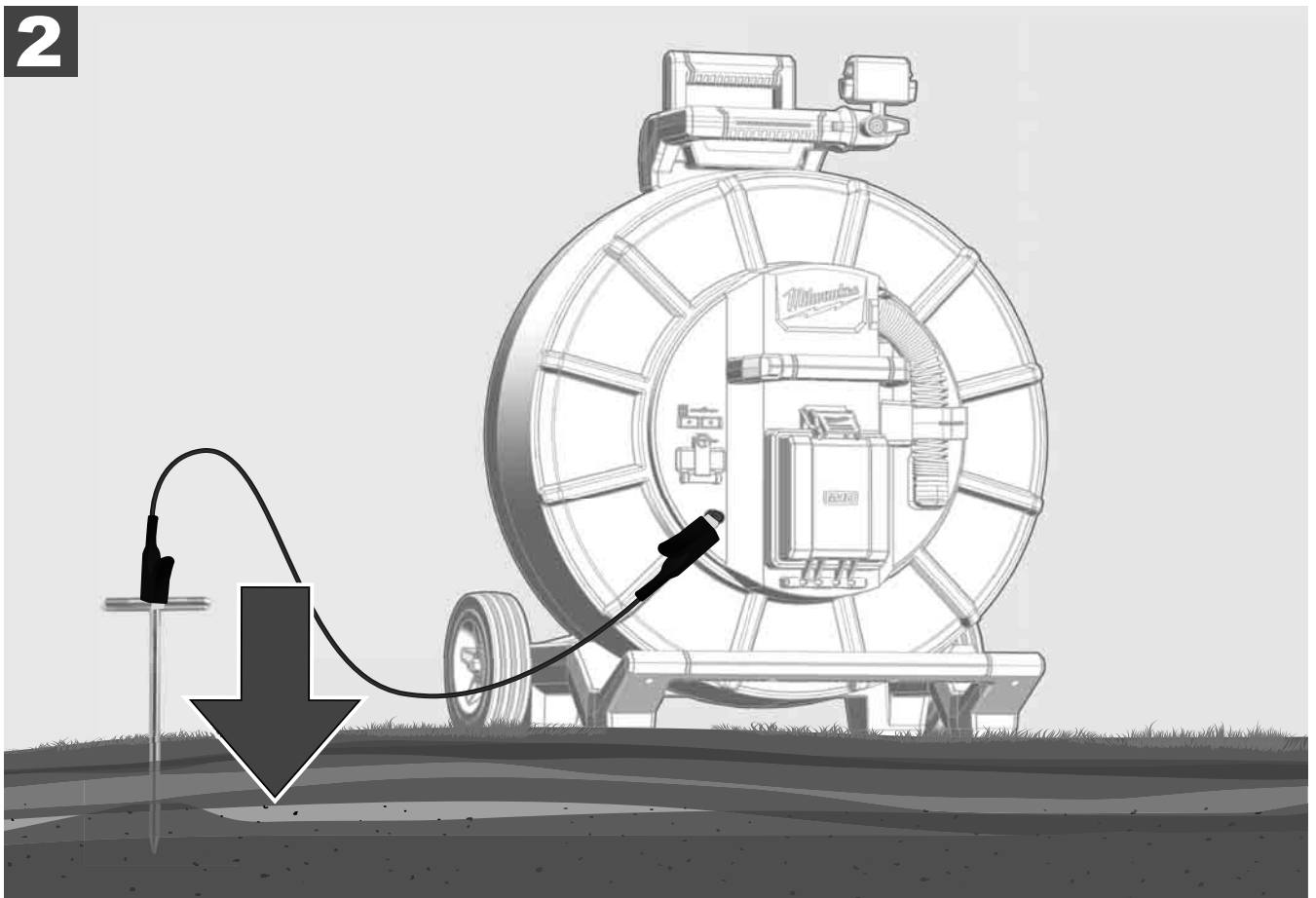
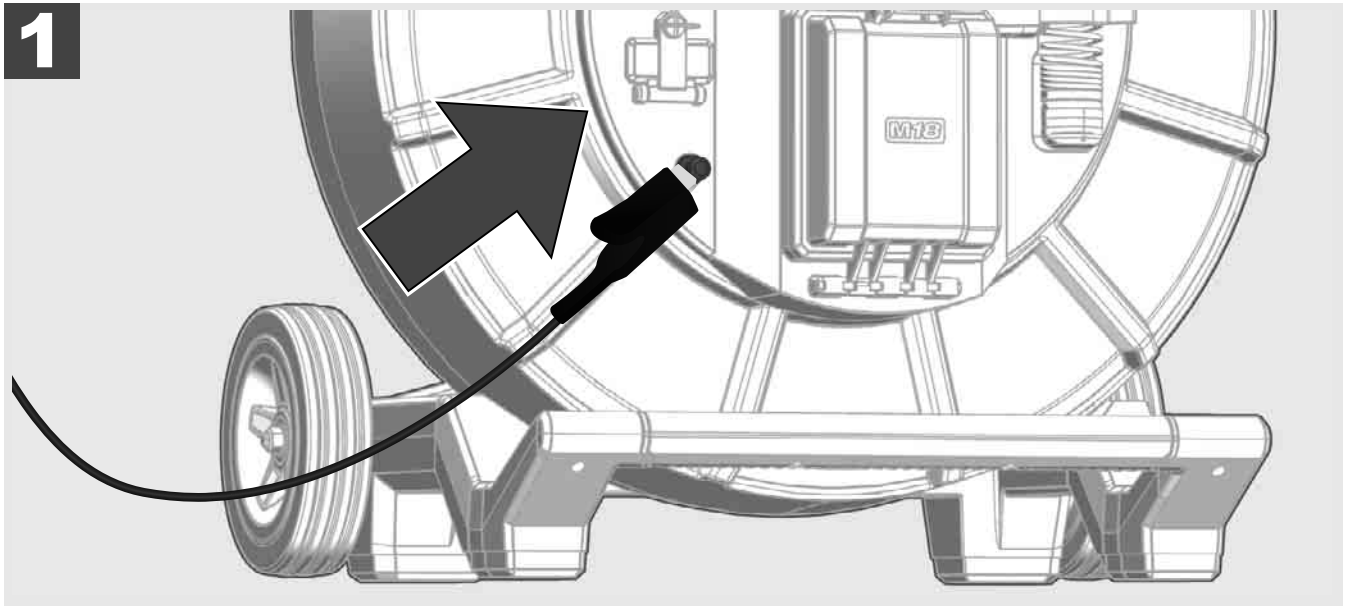
- Уможливує з'єднання бездротового монітору M18 SIM та Smart Hub без WLAN-з'єднання. Живлення Smart Hub через бездротовий монітор M18 SIM або навпаки, якщо акумуляторну батарею не заряджено.



## 2.9 Стержень заземлення




Стержень заземлення має використовуватися завжди, коли проштовхувальний кабель відслідковується за допомогою функції «ВІДСЛІДКУВАННЯ КАБЕЛЮ». Smart Hub має бути заземлено, щоб петлю струму було закрито та надсилався хороший сигнал визначення. Для заземлення Smart Hub використовуйте кабель заземлення, який входить у обсяг постачання, разом зі стержнем заземлення.

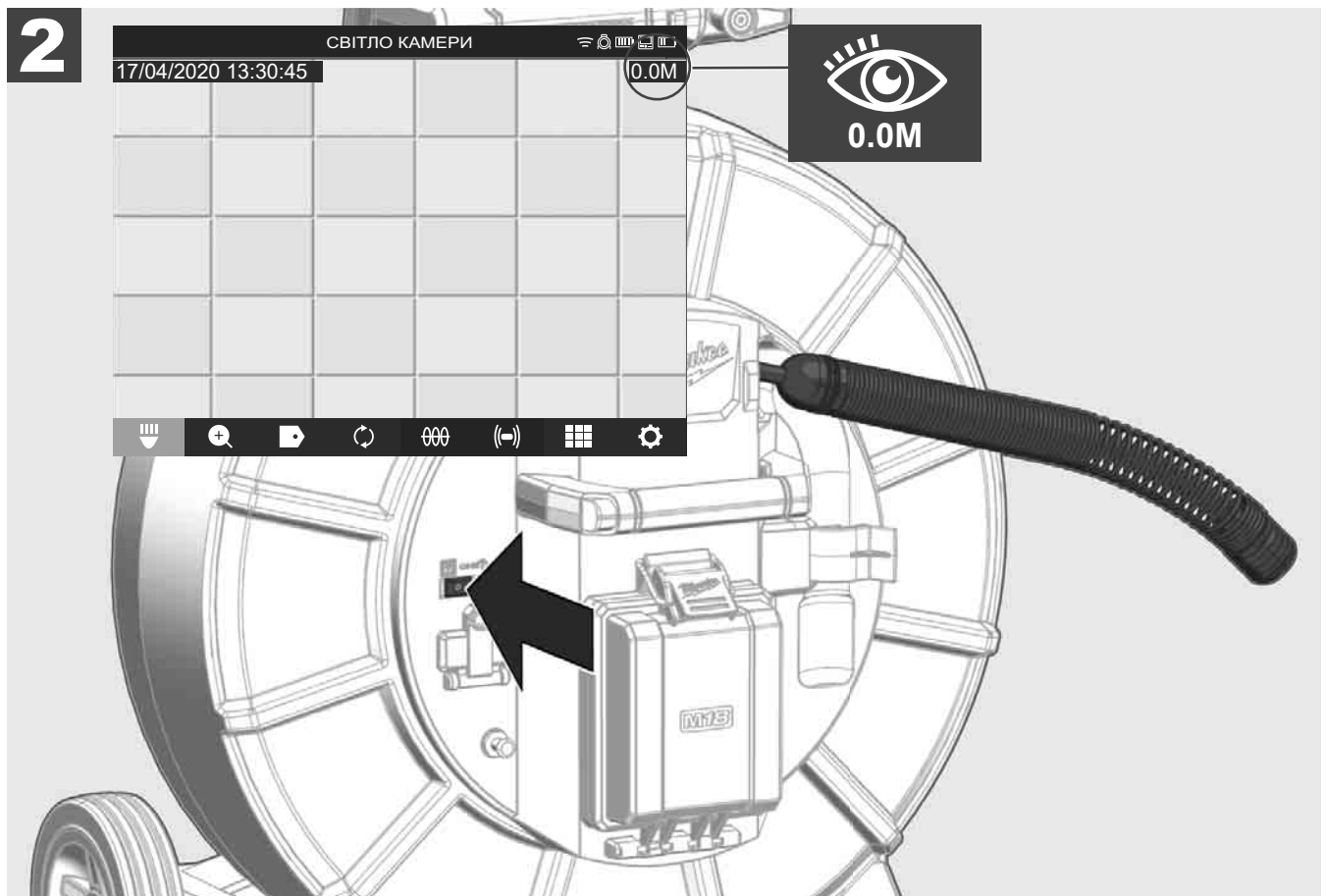
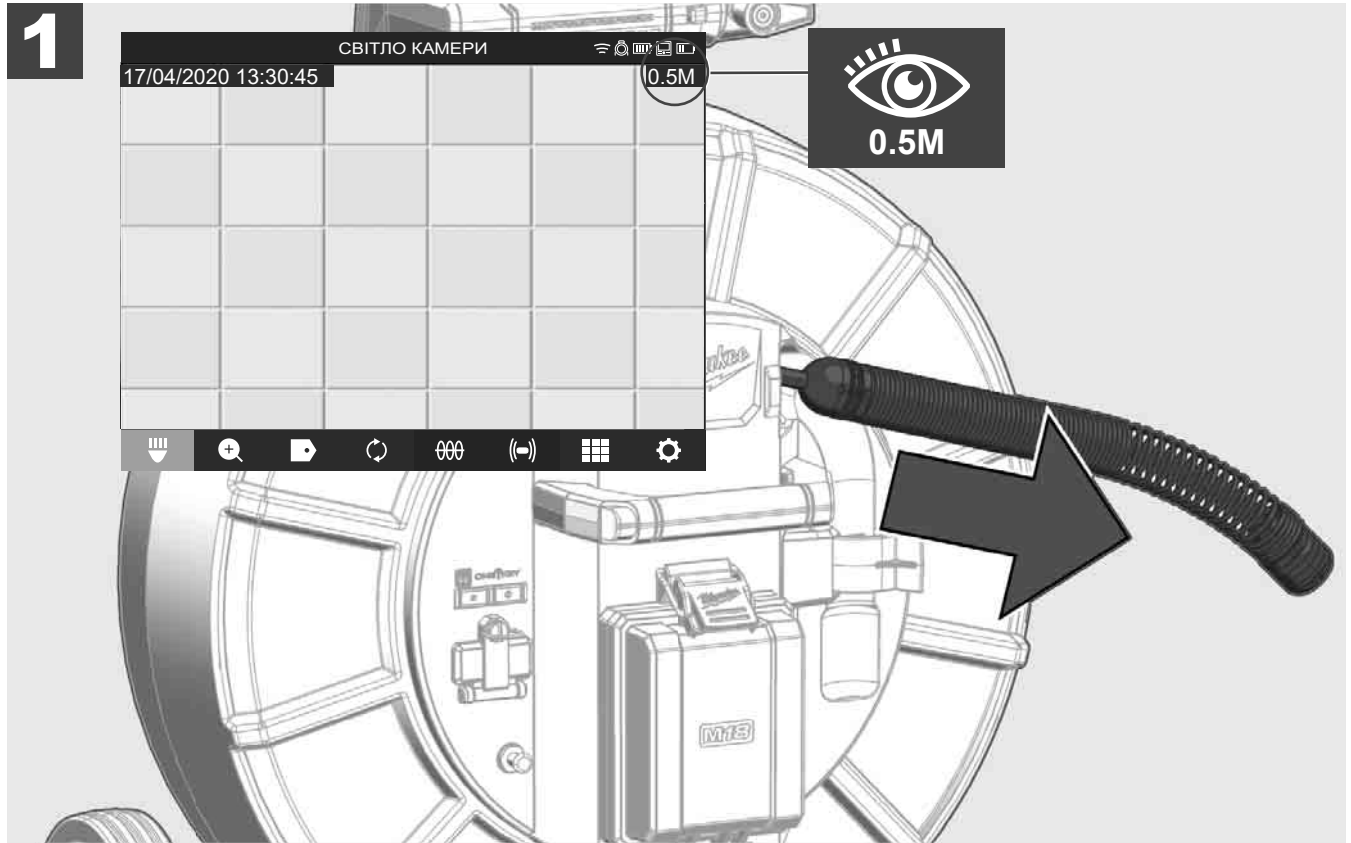


## 2.10 Скидання лічильника довжини



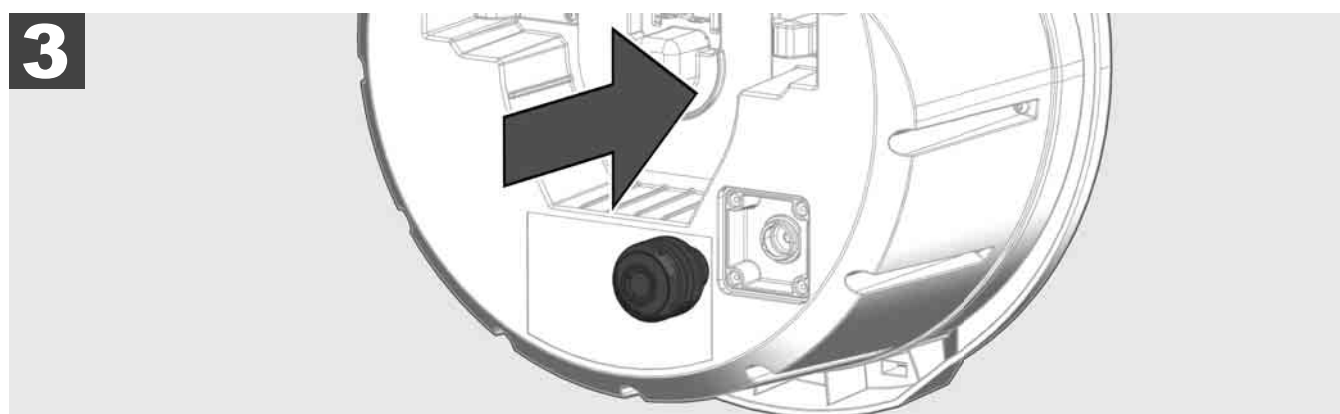
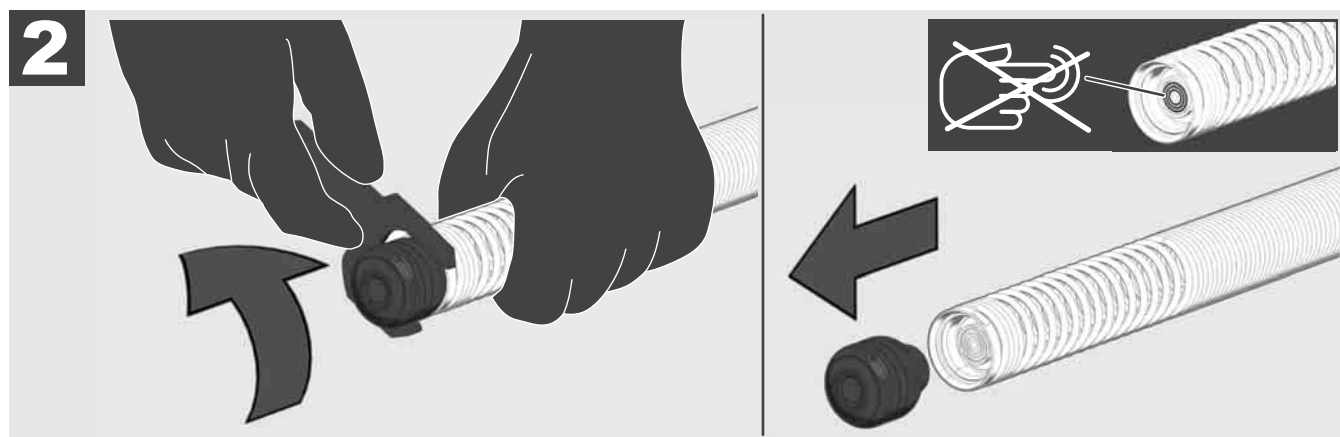
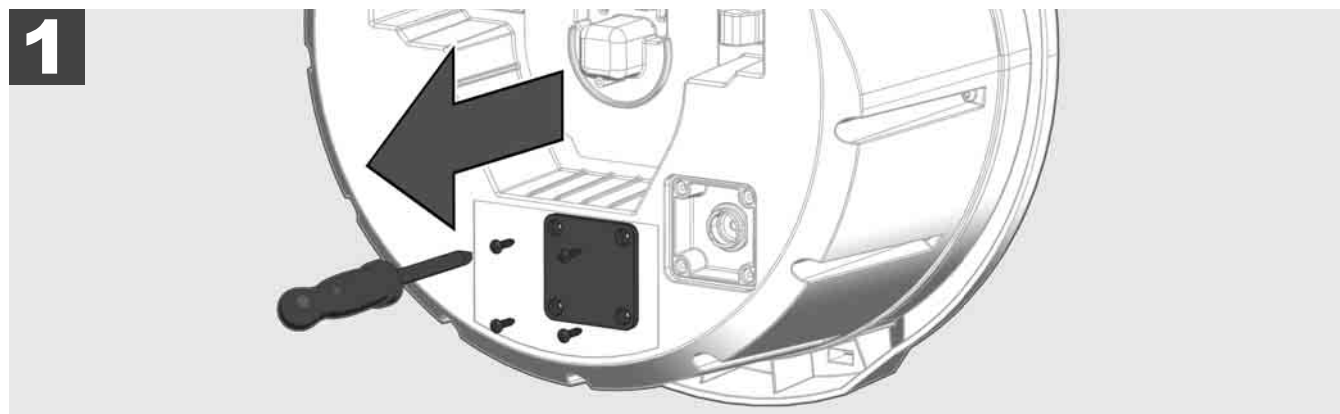
При розмотуванні БАРАБАНА ДЛЯ ІНСПЕКТУВАННЯ ТРУБ, довжина розмотаного кабелю відображається на статусному рядку бездротового монітору M18 SIM.

Щоб скинути індикацію, натисніть кнопку .



## 2.11 Тестовий роз'єм камери

Якщо з головкою камери виникнуть проблеми, камеру можна перевірити через тестовий роз'єм.

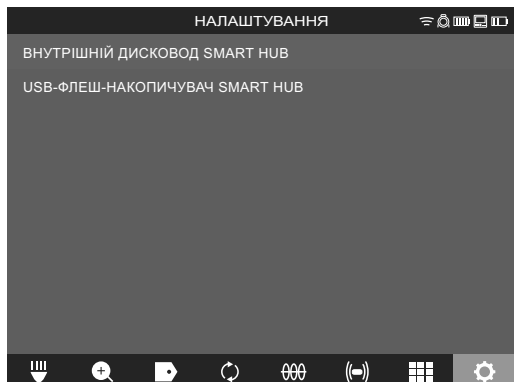


## 2.12 Форматування внутрішнього дисководу та USB-флеш-накопичувача

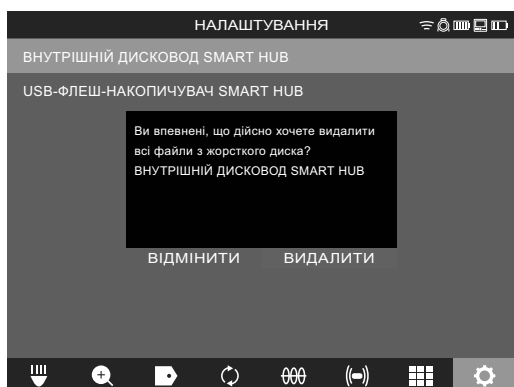
За допомогою цієї функції ви можете відформатувати внутрішній дисковод Smart Hub ємністю 500 Гб або USB-флеш-накопичувач.

USB-флеш-накопичувачі повинні формуватися у форматі FAT32.

1. Виберіть **НАЛАШТУВАННЯ**  → **ФОРМАТУВАТИ ПРИСТРІЙ ЗБЕРІГАННЯ**
2. Виберіть пристрій зберігання.



3. Підтвердіть повідомлення на екрані.



Вибраний дисковод форматується і система повертається назад до меню **НАЛАШТУВАННЯ**.

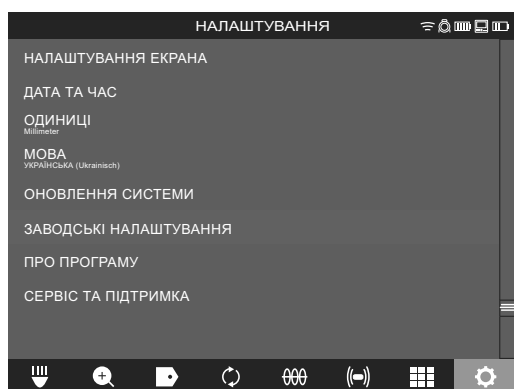
## 2.13 Заводські налаштування

Вибір функції «Заводські налаштування» скидає налаштування Smart Hub M18 SISH до заводських значень.

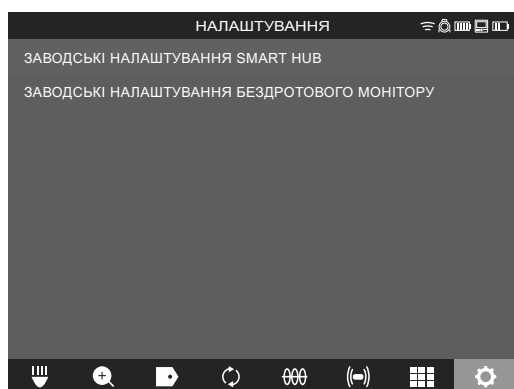
Скидаються наступні налаштування Smart Hub M18 SISH:

- МІТКИ видаляються.
- Налаштування ВІДЕО та ЗОБРАЖЕННЯ скидаються до 1080 пікселів (P).
- НАЗВА КОМПАНІЇ видаляється.
- ЧАСТОТА ЗОНДА скидається до заводських налаштувань.
- ВІДСЛІДКОВУВАННЯ КАБЕЛЮ скидається до заводських налаштувань.
- НАЛАШТУВАННЯ ЕКРАНА скидаються до заводських налаштувань: тон кольору, яскравість, контраст, насичення.
- ОДИНИЦІ ВИМІРЮВАННЯ

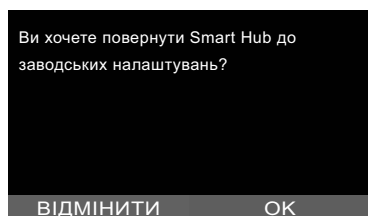
1. Виберіть **НАЛАШТУВАННЯ**  **ЗАВОДСЬКІ НАЛАШТУВАННЯ**



2. Виберіть **ЗАВОДСЬКІ НАЛАШТУВАННЯ** Smart Hub M18 SISH.



3. Прочитайте та підтвердіть повідомлення про скидання шляхом натискання «ОК».



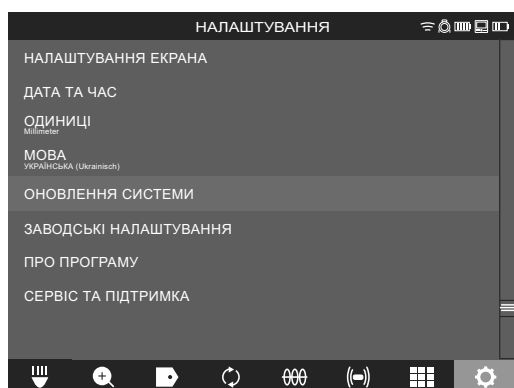
Повернення до заводських налаштувань завершено та система повертається назад до вкладеного меню **ЗАВОДСЬКІ НАЛАШТУВАННЯ**.

## 2.14 Оновлення системи

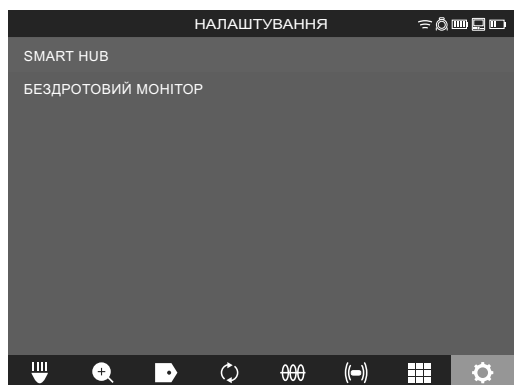
Перед оновленням системи відкрийте меню **НАЛАШТУВАННЯ** → **ПРО ПРОГРАМУ** та запишіть поточну версію мікропрограмного забезпечення.

Виконати оновлення мікропрограмного забезпечення можна через бездротовий монітор M18 SIM або за допомогою планшета із застосунком Milwaukee® для інспектування труб.

1. Увімкніть Smart Hub M18 SISH та бездротовий монітор M18 SIM або планшет із застосунком Milwaukee® для інспектування труб.
2. Переконайтеся, що бездротовий монітор M18 SIM або планшет під'єднано через WLAN до Smart Hub M18 SISH. Якщо WLAN-з'єднання відсутнє, спочатку створіть його.
3. Вставте USB-флеш-накопичувач з оновленням мікропрограмного забезпечення в роз'єм USB-A Smart Hub M18 SISH.
4. Виберіть **НАЛАШТУВАННЯ** → **ОНОВЛЕННЯ СИСТЕМИ**



5. Виберіть Smart Hub M18 SISH.

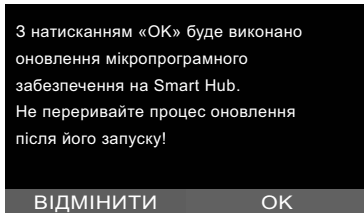


6. Назва файлу оновлення відображається на екрані. Виберіть **НАЗВА ФАЙЛУ**, щоб розпочати оновлення.

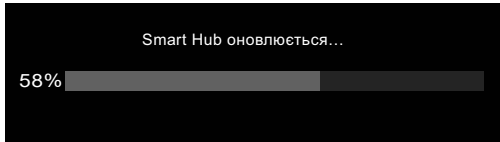




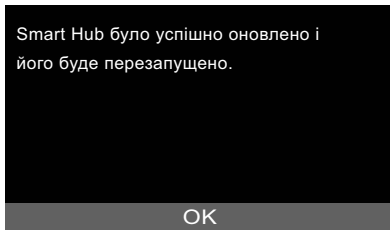
7. Прочитайте та підтвердіть повідомлення-попередження шляхом натискання «ОК».



8. На індикаторі виконання відображається прогрес оновлення.



9. По завершенню оновлення з'являється повідомлення, яке необхідно підтвердити. Виберіть «ОК» для перезапуску системи.



10. Виберіть НАЛАШТУВАННЯ → ПРО ПРОГРАМУ, щоб перевірити, чи версію мікропрограмного забезпечення було оновлено.

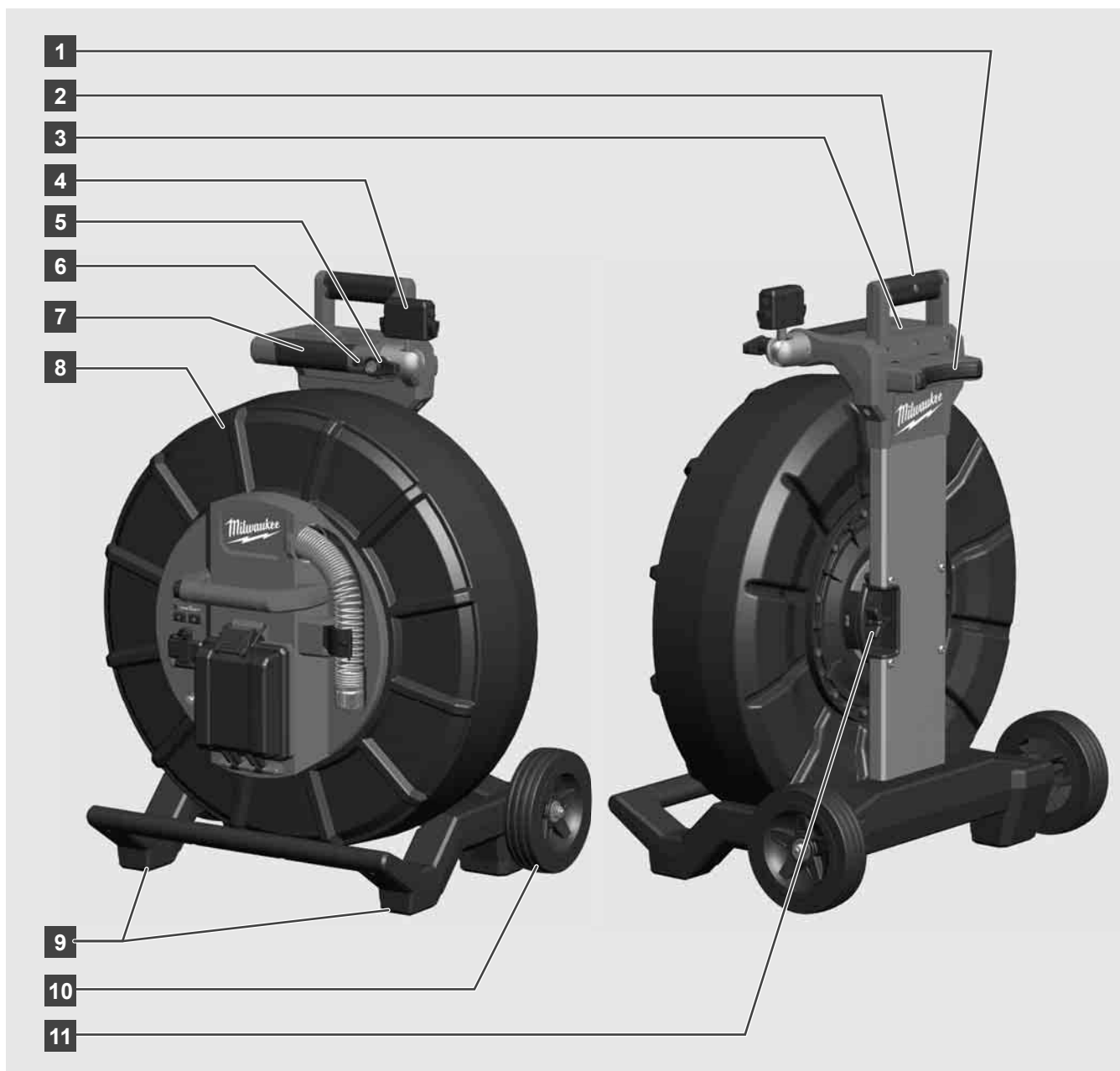
## 3 БАРАБАНИ ДЛЯ ІНСПЕКТУВАННЯ ТРУБ

### 3.1 Огляд барабана для інспектування труб M18 SIC36



- 1 Регульована ніжка для використання у горизонтальному положенні
- 2 Бездротовий монітор M18 SIM — тримач планшета та роз'єм
- 3 Бездротовий монітор M18 SIM — фіксатор від повертання
- 4 Бездротовий монітор M18 SIM — фіксатор від перекидання
- 5 Ручка
- 6 Кабельний барабан з проштовхувальним кабелем
- 7 Регульована ніжка для використання у вертикальному положенні
- 8 Гальмо кабельного барабана
- 9 Регульована ніжка для використання у горизонтальному положенні
- 10 Пристрій для перенесення

### 3.2 Огляд барабана для інспектування труб M18 SIC60

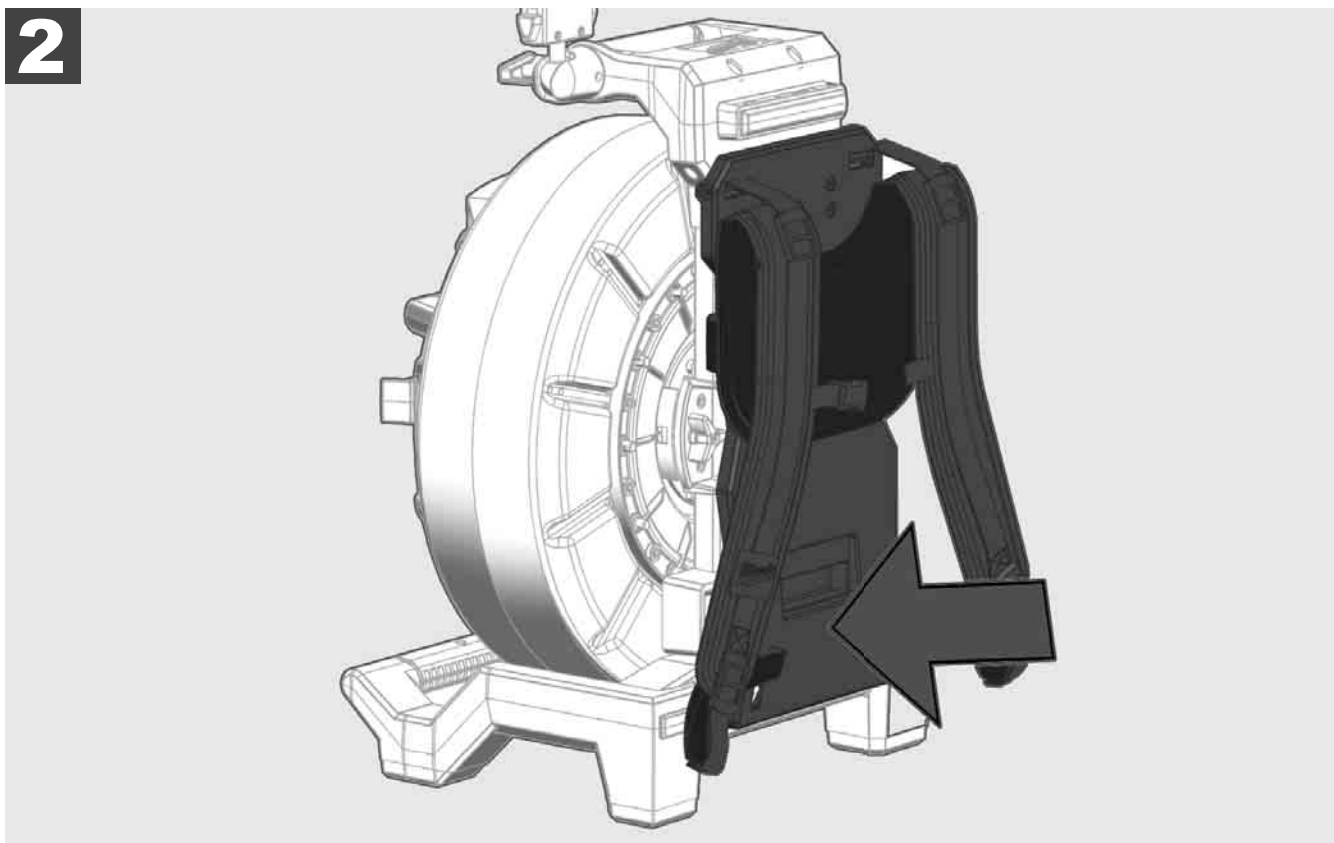
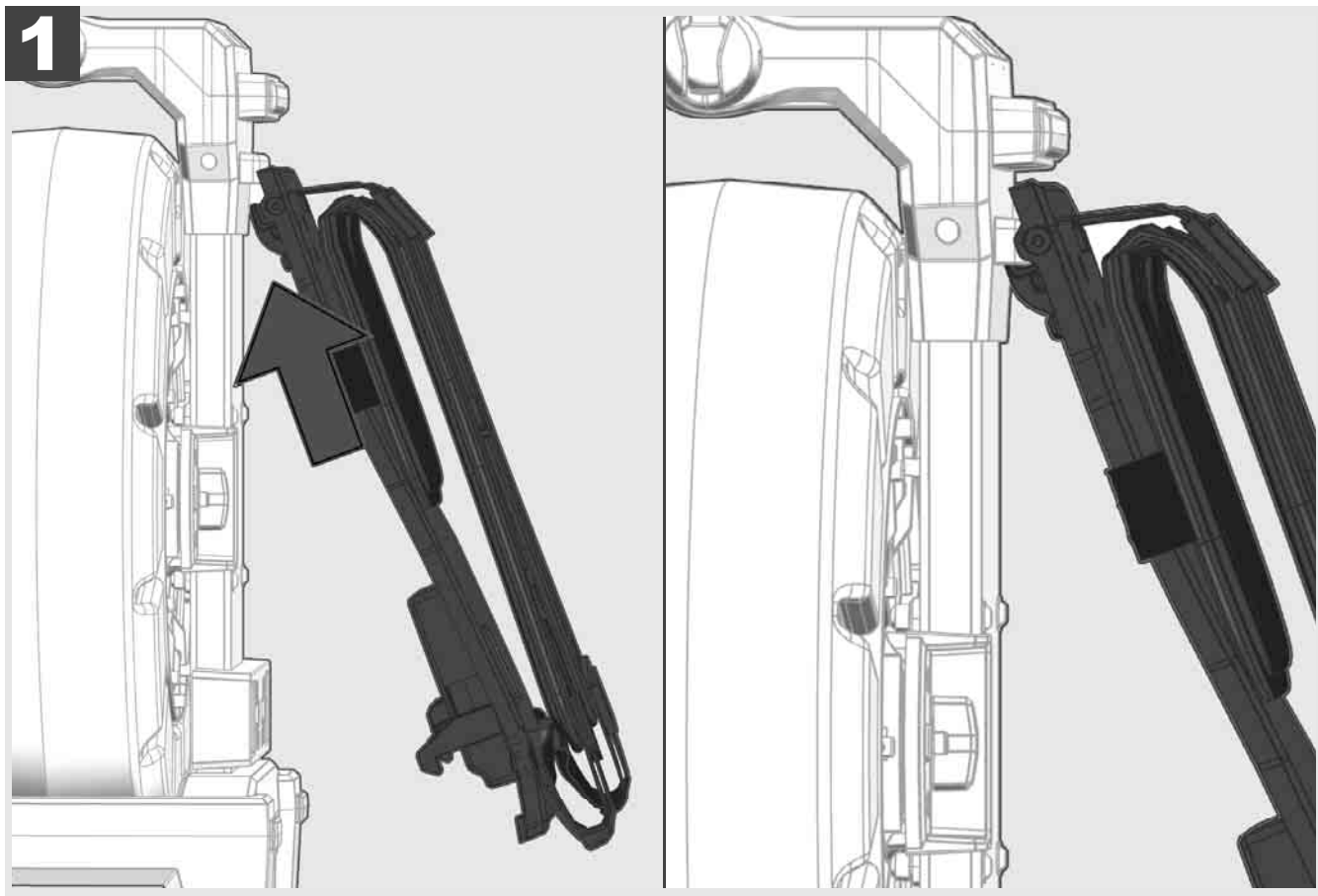


- 1 Регульована ніжка для використання у горизонтальному положенні
- 2 Ручка, яка витягується (у складеному положенні)
- 3 Кнопка для блокування та розблокування ручки, яка витягується
- 4 Бездротовий монітор M18 SIM — тримач/тримач планшета та роз'єм
- 5 Бездротовий монітор M18 SIM — захист від повертання
- 6 Бездротовий монітор M18 SIM — захист від перекидання
- 7 Ручка
- 8 Кабельний барабан з проштовхувальним кабелем
- 9 Регульована ніжка для використання у вертикальному положенні
- 10 Коліщатка
- 11 Гальмо кабельного барабана

### 3.3 Встановлення пристрою для перенесення



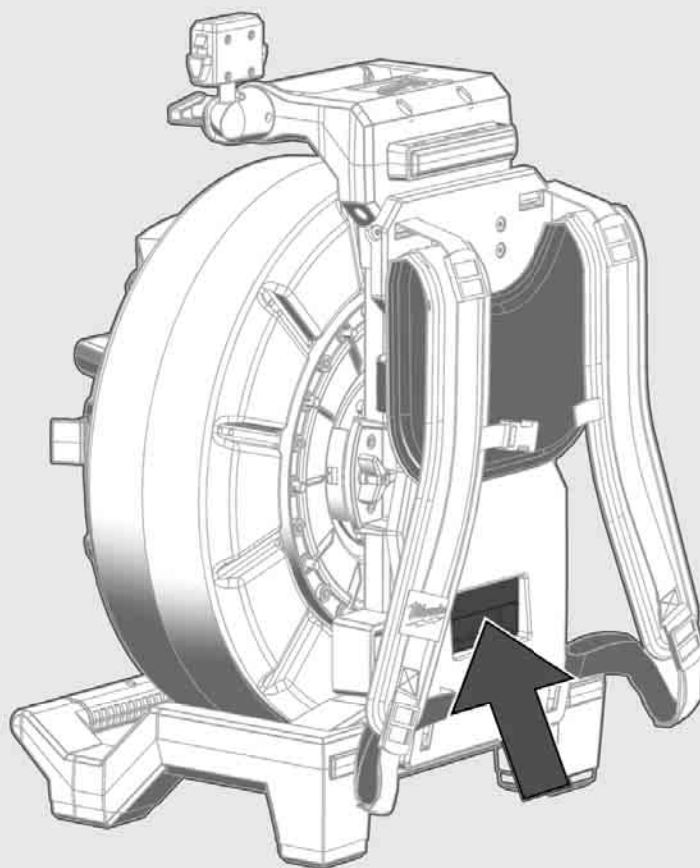
БАРАБАН ДЛЯ ІНСПЕКТУВАННЯ ТРУБ M18 SIC36 оснащено пристроєм для перенесення, за допомогою якого барабан можна переносити на спині як рюкзак. Таким чином можна зручно переносити невеликий барабан до місця застосування, що практично, передовсім, при підніманні по сходах або при використанні драбини.



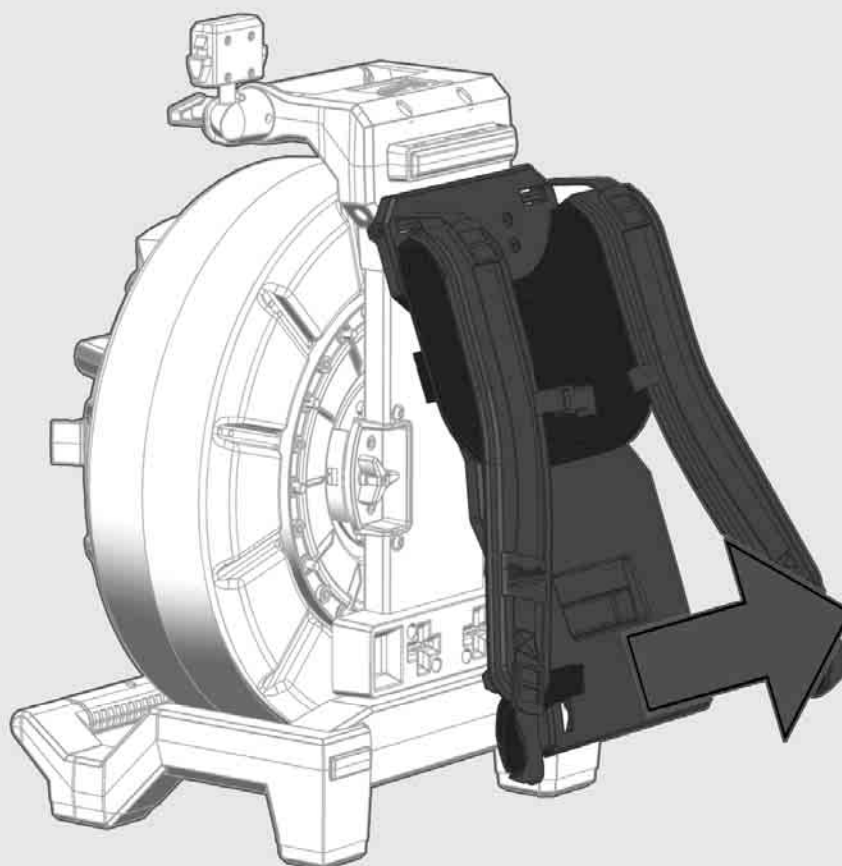
Підвісьте пристрій для перенесення зверху та притисніть подушечками пальців до нижньої сторони до фіксації пристрою для перенесення. Трохи потягніть пристрій для перенесення, щоб переконаватися, що він зафіксувався.



**1**

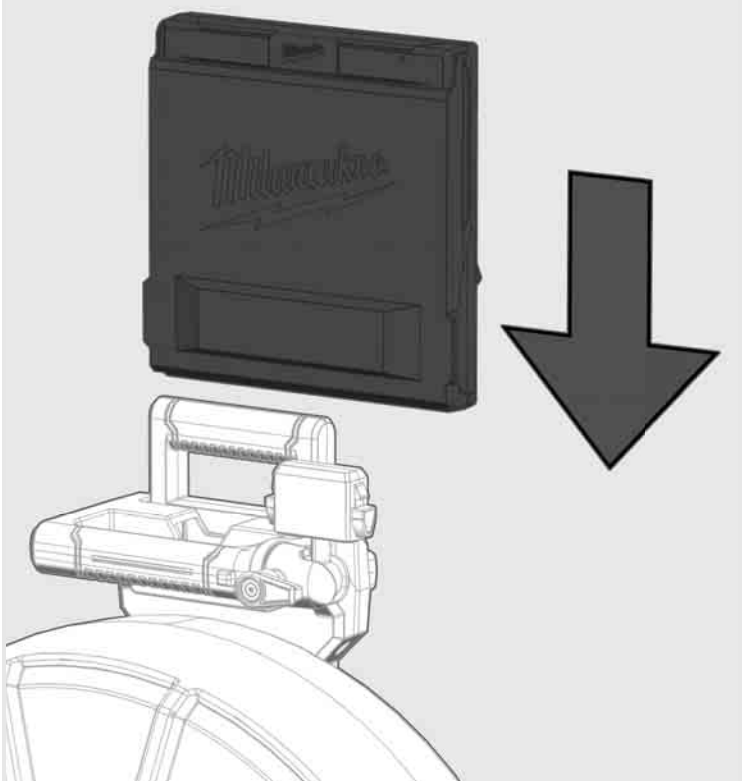


**2**

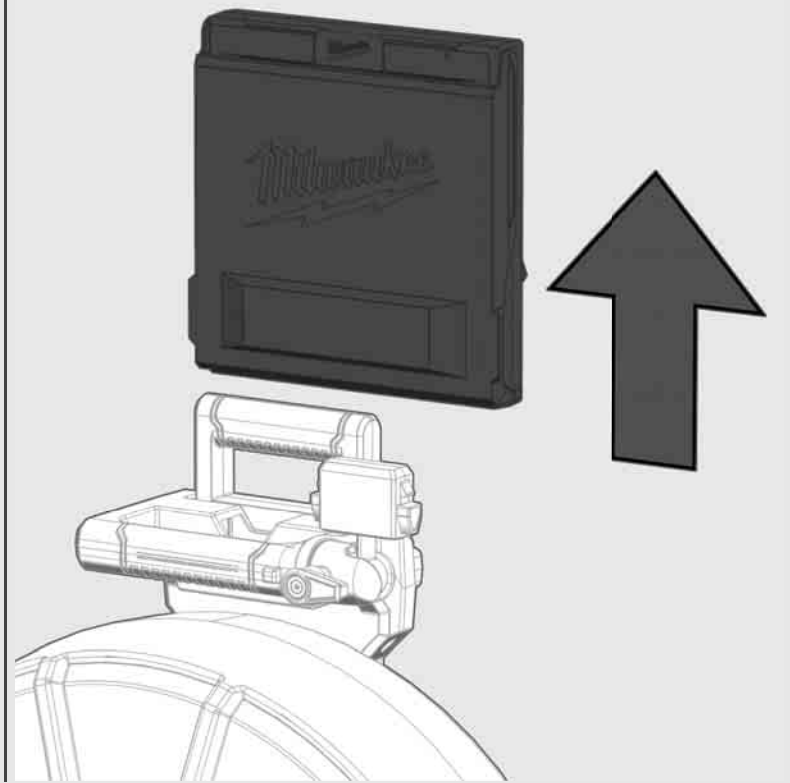
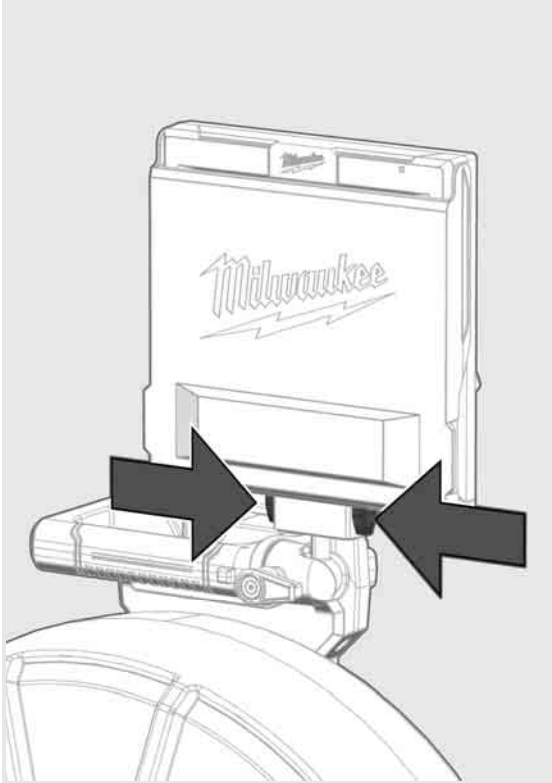


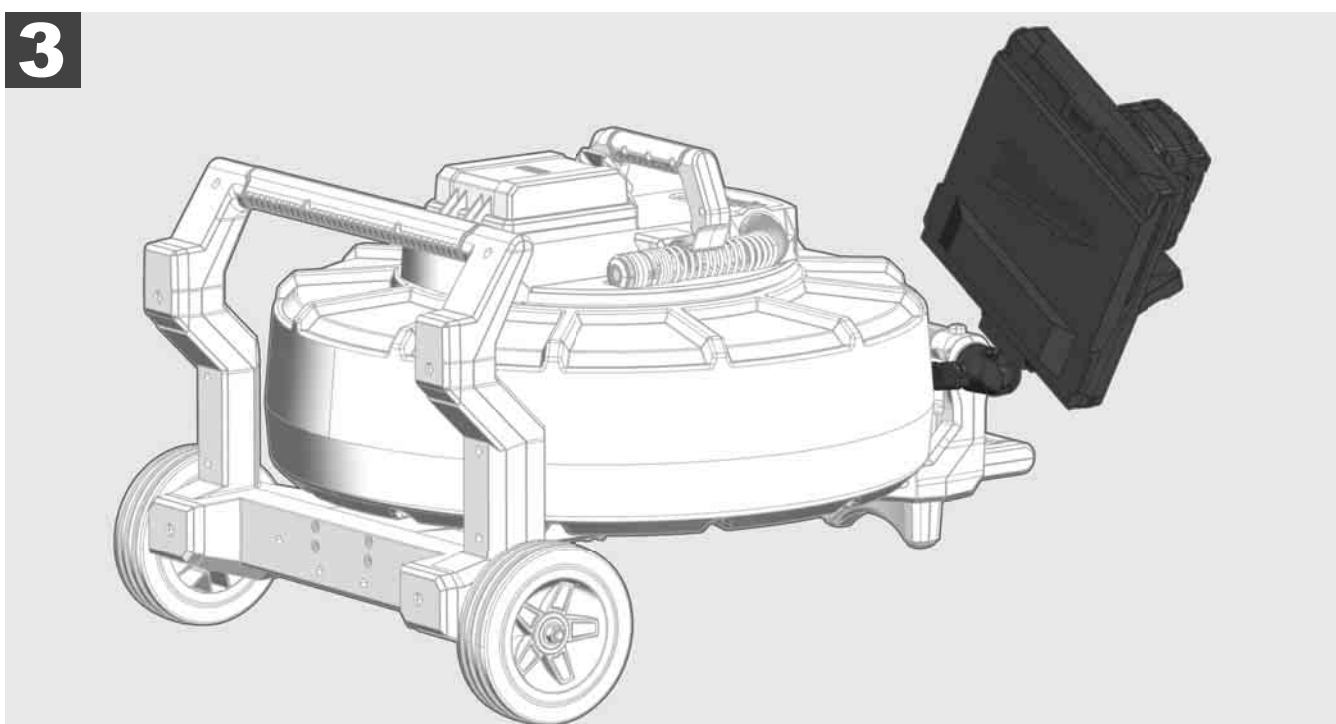
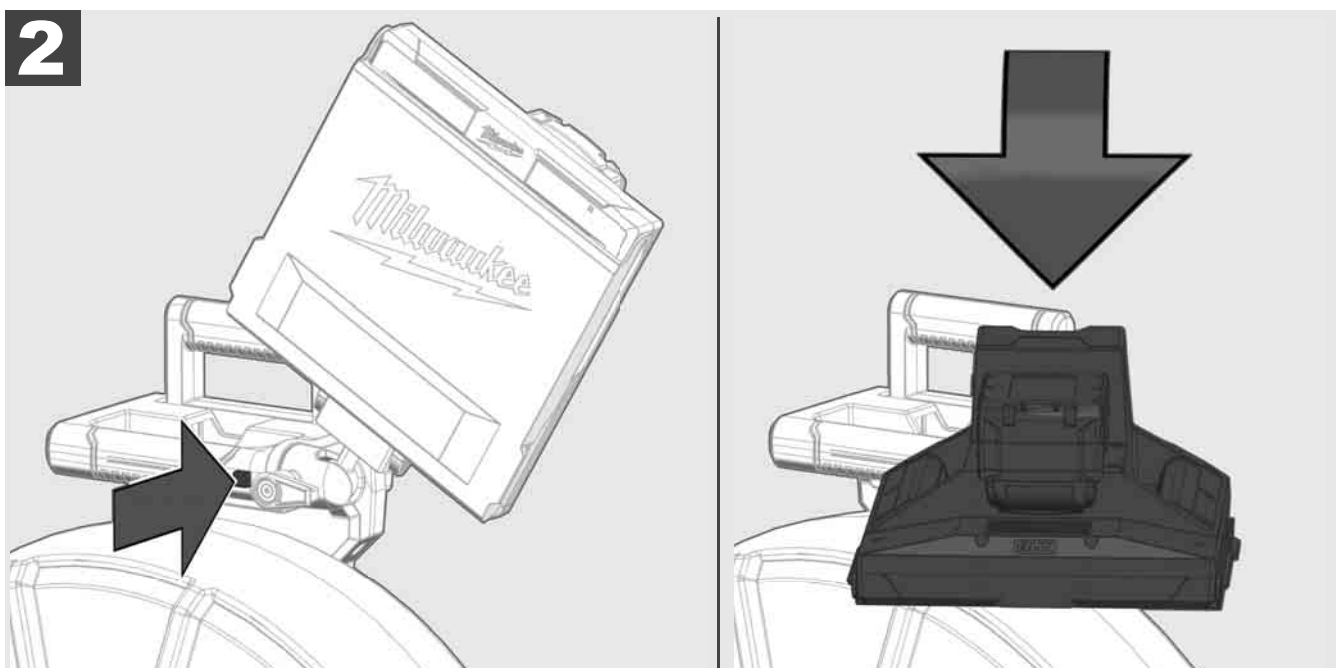
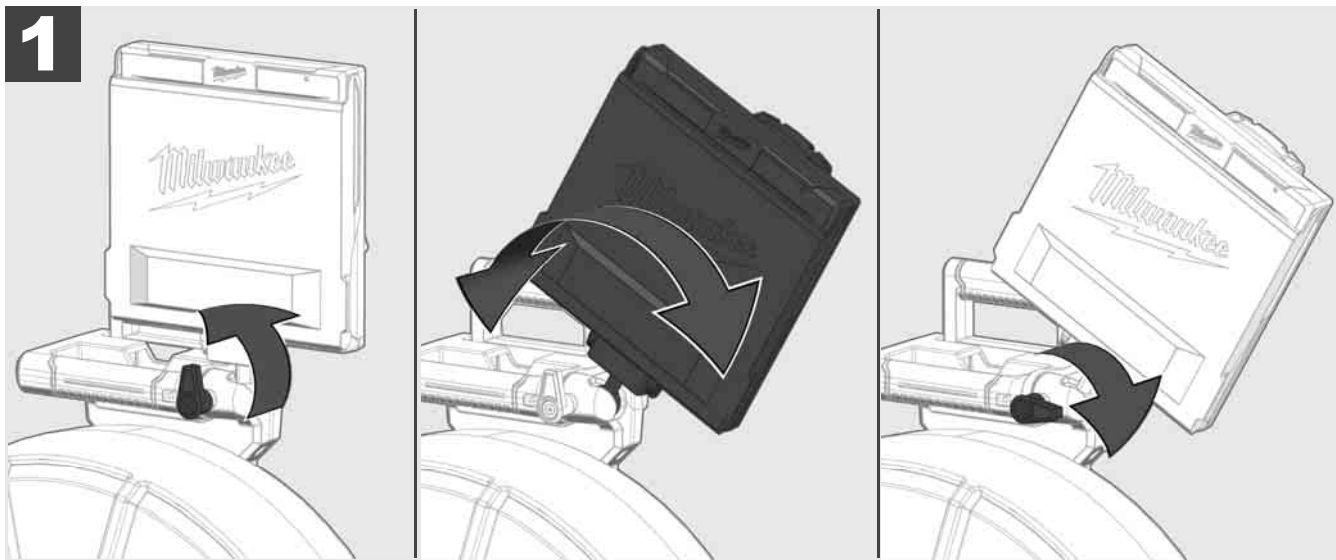


**1**



**2**





### 3.7 Використання барабана для інспектування труб



Перевірте проштовхувальний кабель на ознаки зношування — перед намотуванням перевірте кабель на наявність порізів, перегинів та перетирання. Якщо оболонка так сильно зносилася, що видно жовту або білу кевларову оплітку, необхідно замінити проштовхувальний кабель. При використанні проштовхувального кабелю з пошкодженою оболонкою можуть проникати вода та волога, що може позначитися на якості записів камери або призвести до виходу камери з ладу. На зображенні нижче показано приклад сильно пошкоджених оболонок. Такі проштовхувальні кабелі необхідно якомога швидше замінити.

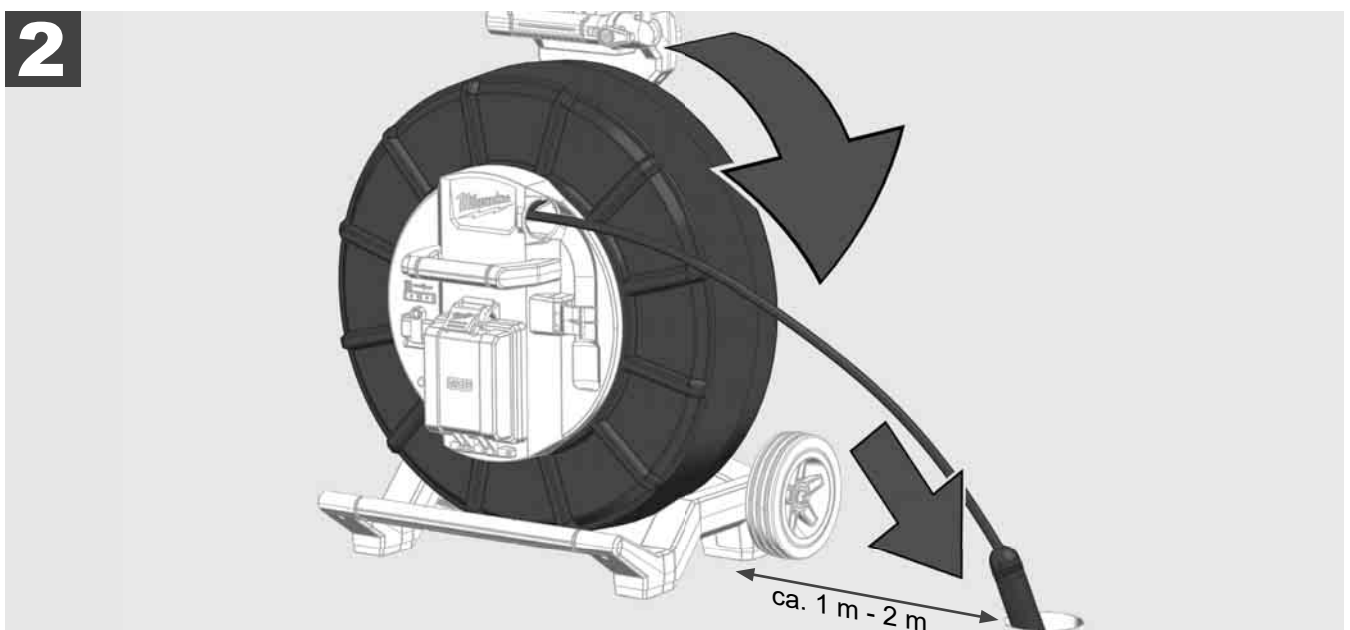
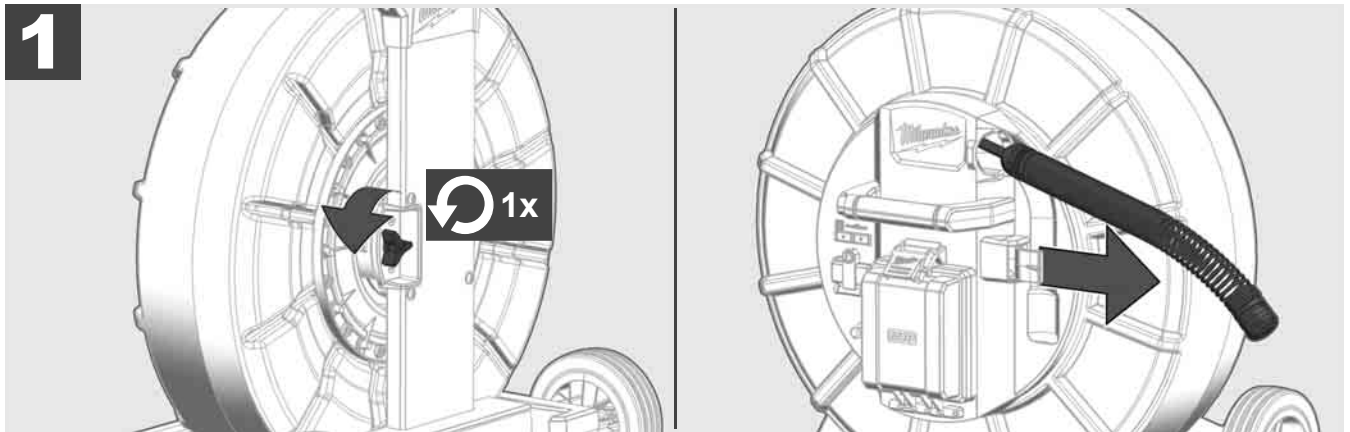


Завжди зберігайте проштовхувальний кабель та блок пружин сухими та чистими — при намотуванні завжди виконуйте чищення кабелю чистою, сухою ганчіркою. Наприкінці робочого дня обережно почистіть голівку камери та пружину від залишків бруду під проточною водою. Потрусіть, щоб висушити, або продуйте насухо повітрям з низьким тиском для видалення залишків води, після цього залиште частини висохнути. Голівка камери, проштовхувальний кабель та з'єднувальні частини за щоденного використання піддаються впливу агресивних хімічних речовин. Ретельне чищення системи продовжує строк експлуатації цих частин.

Обережно поводьтеся з проштовхувальним кабелем — не тягніть проштовхувальний кабель із заблокованого барабана. Інакше кабель буде затиснуто в барабані та він буде піддаватися надмірному навантаженню. Засовування проштовхувального кабелю назад в заблокований барабан, навпаки, може призвести до перекидання барабана або перегинання кабелю.

Ставте барабан на рівній поверхні на відстані приблизно 1–2 метри від точки входу. Так залишиться достатньо місця для маніпуляцій з кабелем без протягування кабельних петель по підлозі. За необхідності, щоб уповільнити рух проштовхувального кабелю, натисніть фрикційне гальмо.

Якщо барабан використовується у горизонтальному положенні, площа між ніжками збільшується. Це забезпечує барабану стабільне положення на нерівній поверхні та зменшує його висоту, що корисно за умов обмеженого простору.





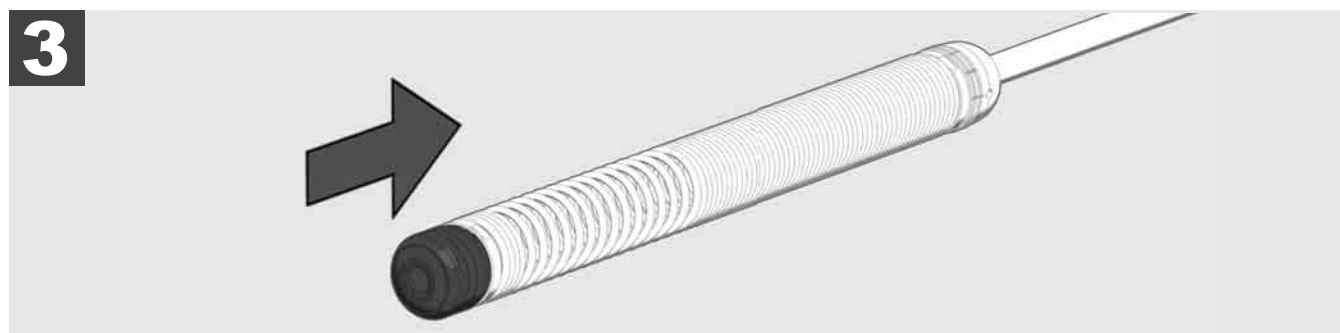
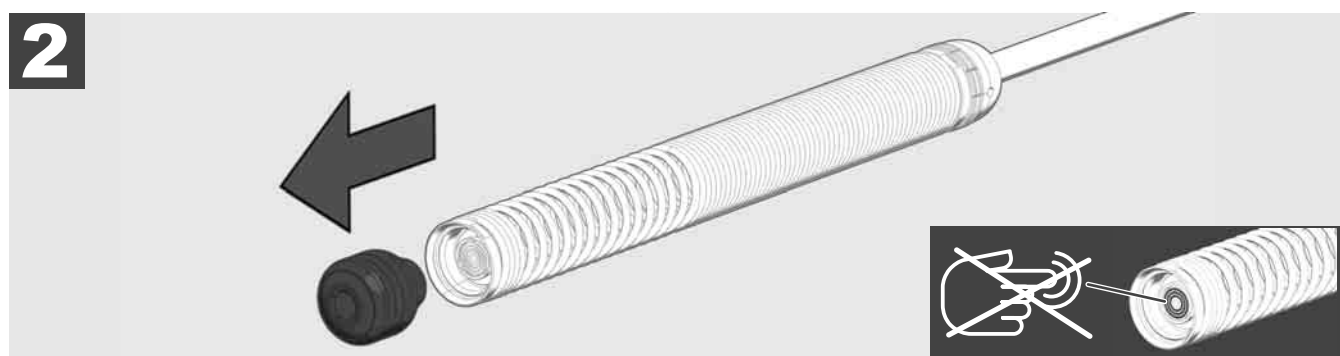
### 3.8 Вузол головки камери



За можливості, не чіпайте голими руками зелену друковану плату або золоті контакти на блоці пружин, а також головку камери. Інакше, на ці компоненти переноситься жировий шар пальців, що може призвести до передчасної корозії таких компонентів. За можливості, використовуйте чисті та сухі резинові рукавиці.

Перед зніманням, витріть головку камери насухо та приберіть залишки бруду, які могли потрапити у зону з'єднання камери.

Не затягуйте занадто сильно та не докладайте надмірних зусиль!

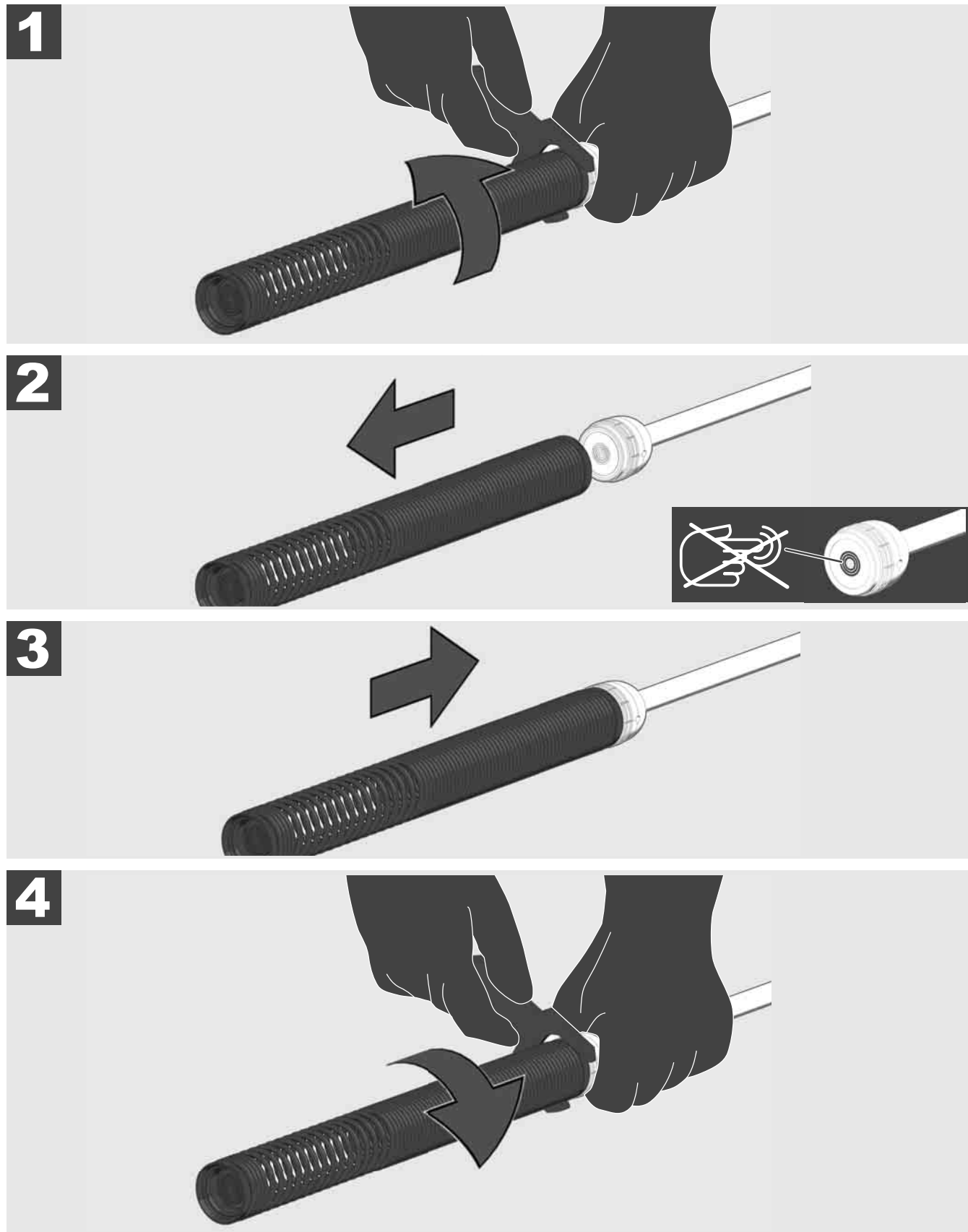


### 3.9 Блок пружин



За можливості, не чіпайте голими руками зелену друковану плату або золоті контакти на блоці пружин, а також головку камери. Інакше, на ці компоненти переноситься жировий шар пальців, що може призвести до передчасної корозії таких компонентів. За можливості, використовуйте чисті та сухі резинові рукавиці. Перед зніманням, витріть головку камери насухо та приберіть залишки бруду, які могли потрапити у зону з'єднання камери.

Не затягуйте занадто сильно та не докладайте надмірних зусиль!

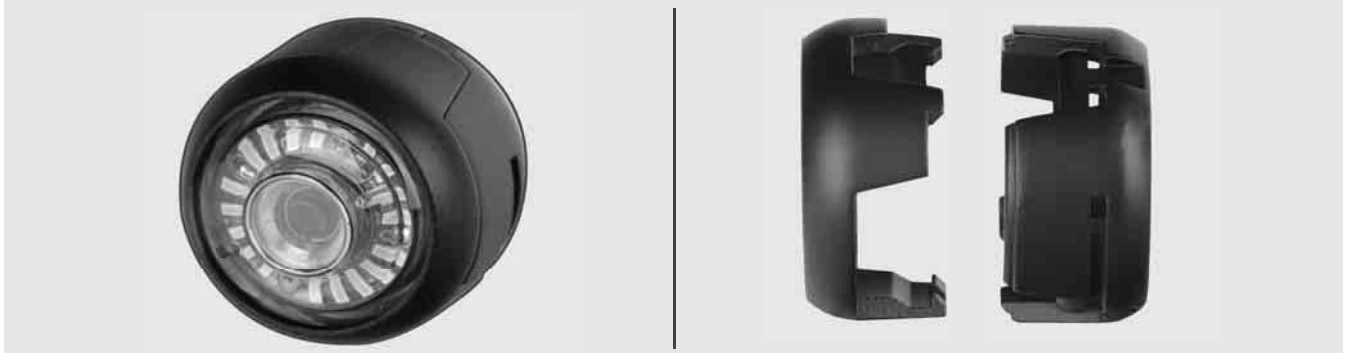


### 3.10 Захисний чохол камери

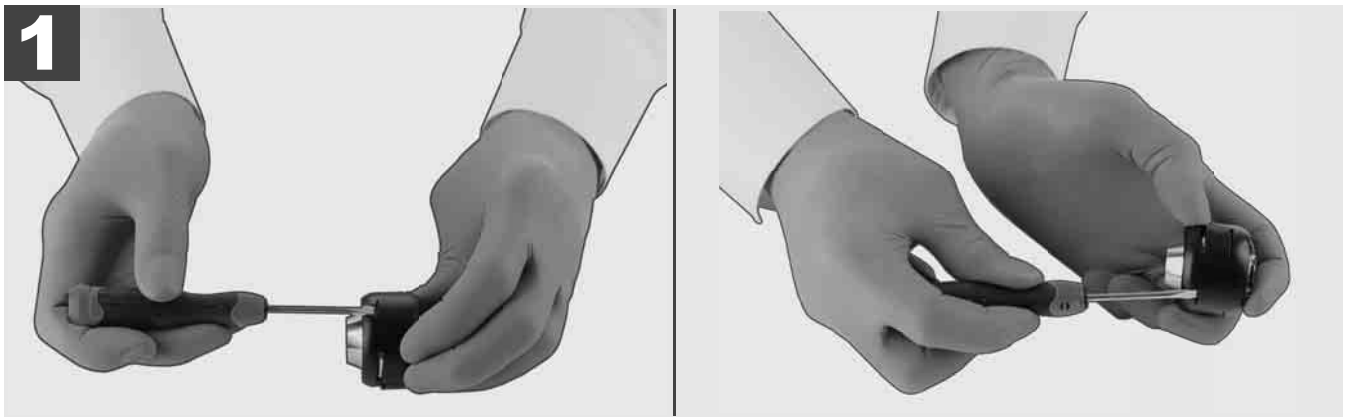


Захисні чохла — придатні для головок камер діаметром 25 або 34 мм. Такі захисні чохла постачаються зі всіма БАРАБАНАМИ ДЛЯ ІНСПЕКТУВАННЯ ТРУБ або запасними головками камер.

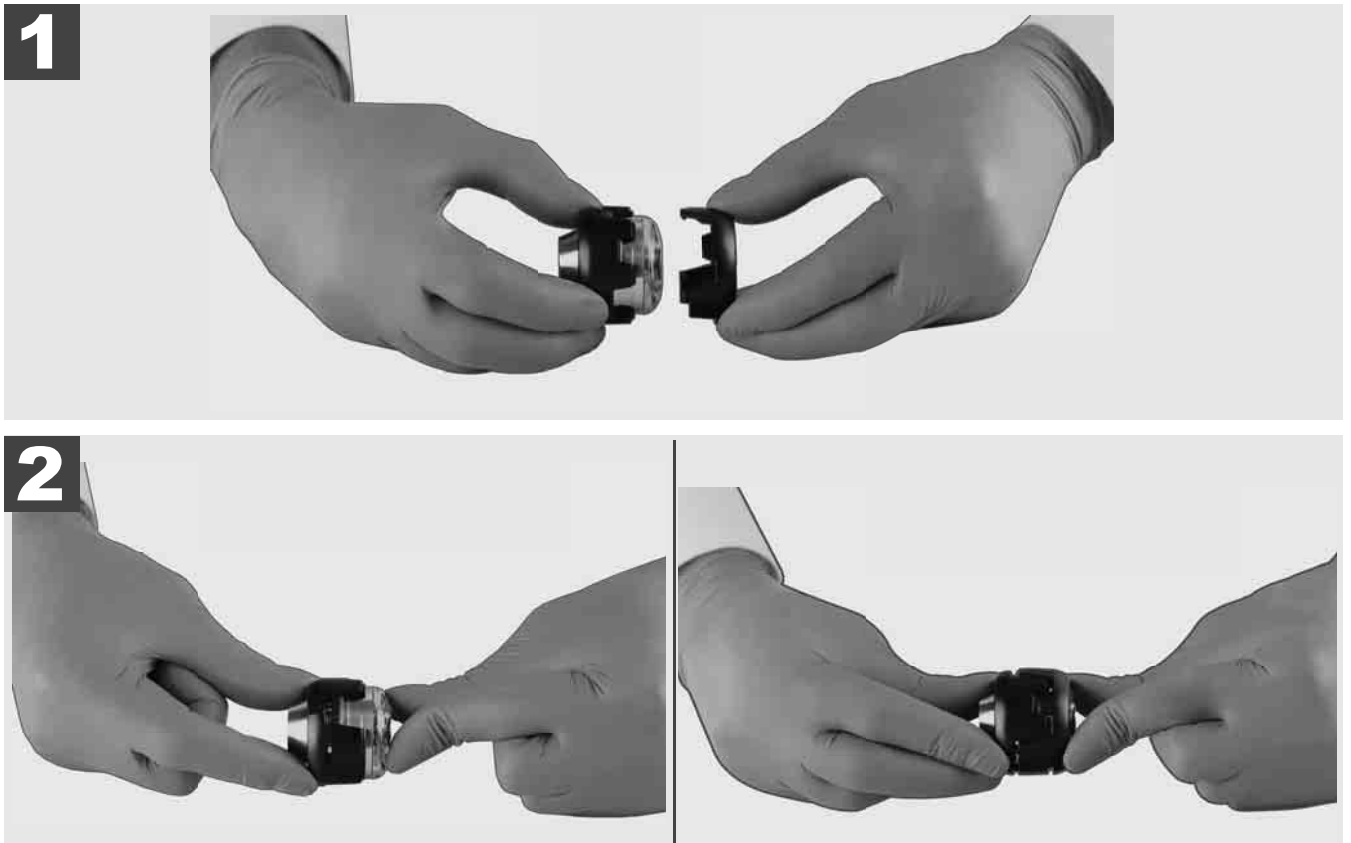
Напрявні — вони встановлюються на блоці пружин, щоб головка камери могла рухатися вздовж підлоги та прямо не контактувала з трубою.



#### Знімання захисного чохла



#### Встановлення захисного чохла



### 3.11 Напрямні камери



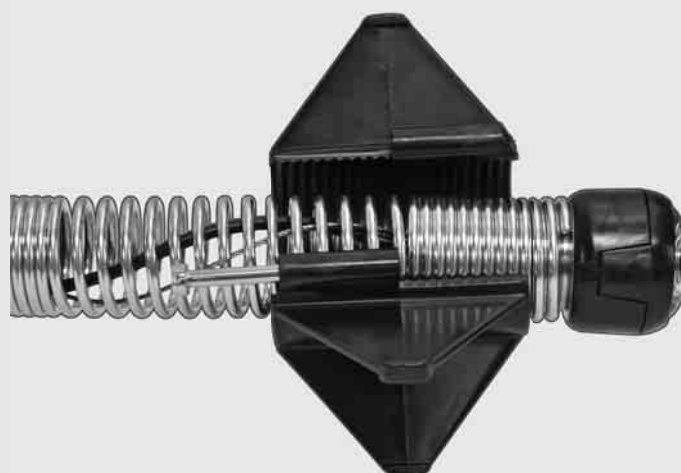
Для головок камер з шириною 25 або 34 мм доступні у кожному варіанті по дві напрямні: мале виконання з 75 мм та середнє виконання з 100 мм.

Напрямна камери 25 мм

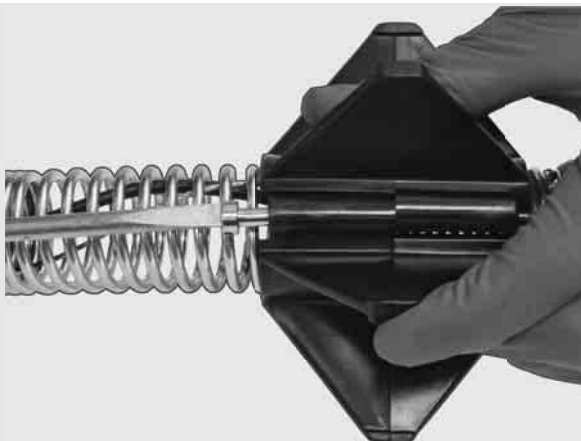
Напрямна камери 34 мм



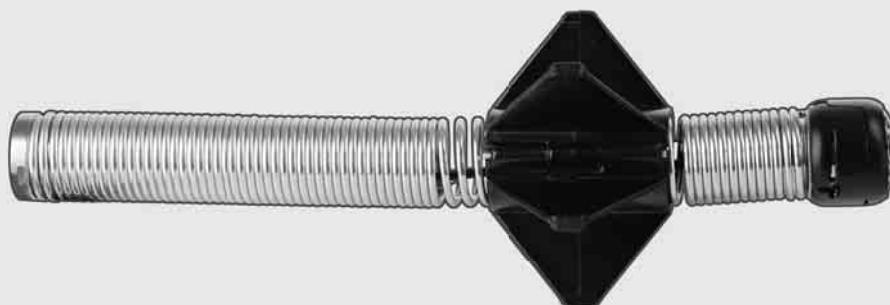
**1**



**2**




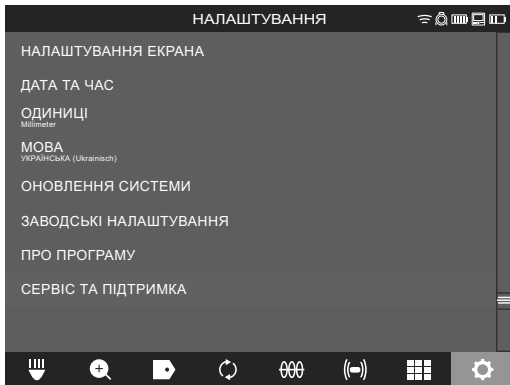
**3**





### 3.12 Сервіс та підтримка

Якщо вашу СИСТЕМУ ІНСПЕКТУВАННЯ ТРУБ необхідно відремонтувати, у пункті «СЕРВІС ТА ПІДТРИМКА» ви потрапите до сторінки сервісного обслуговування інструментів Milwaukee зі всіма важливими телефонними номерами.


Виберіть **НАЛАШТУВАННЯ**  **→ СЕРВІС ТА ПІДТРИМКА**




**click** 

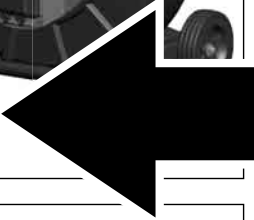


**M18 SIC36**  
**M18 SIC60**  
**M18 SISH**

**click** 



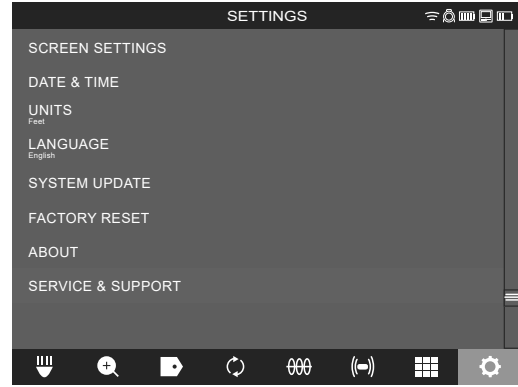
**M18 SIM**

**click** 

**click**


إذا كان من الواجب إصلاح نظام فحص المواسير الخاص بك، تتوصل تحت الخدمة والدعم الفني على صفحة الخدمات لأدوات العمل ماركة Milwaukee إلى جميع أرقام التليفون الهامة.

اختار إعدادات ⚙️ → الخدمة والدعم الفني




**Milwaukee**  
Nothing but **HEAVY DUTY**®

click →



**M18 SIC36**  
**M18 SIC60**  
**M18 SISH**

click →



**M18 SIM**

click



### 3.11 مجريات توجيه الكاميرا

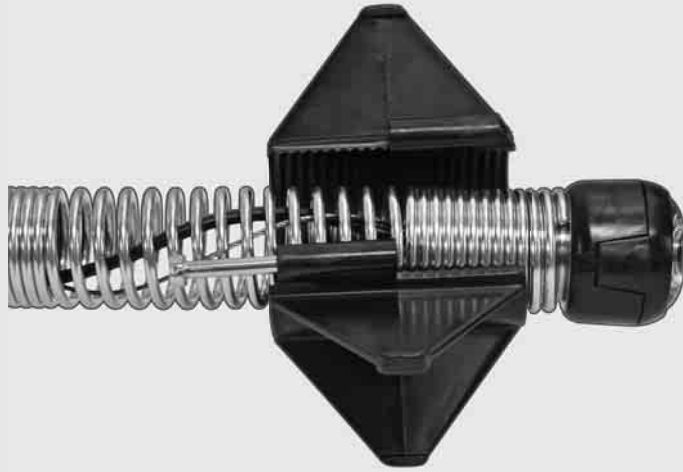
يتوافر لرؤس الكاميرا التي يبلغ عرضها من 25 مم حتى 34 مم مجريان للتوجيه لكل منهما: تصميم صغير بـ 75 مم وتصميم متوسط بـ 100 مم.

موجه كاميرا 25 مم

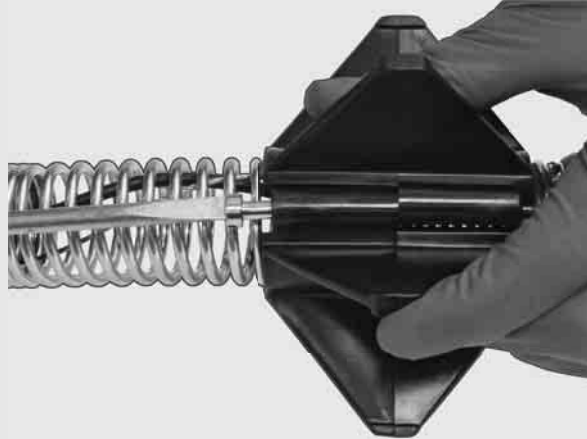
موجه كاميرا 34 مم



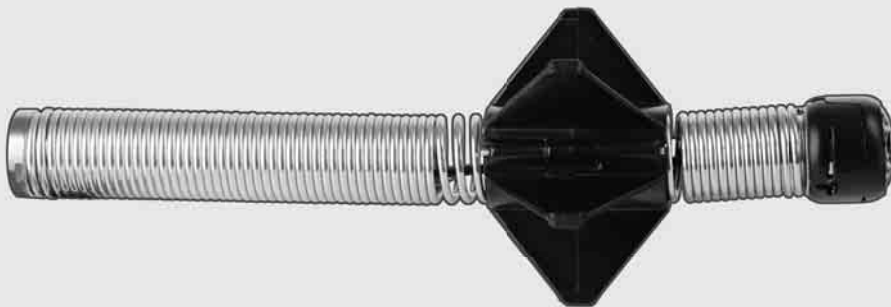
1



2



3

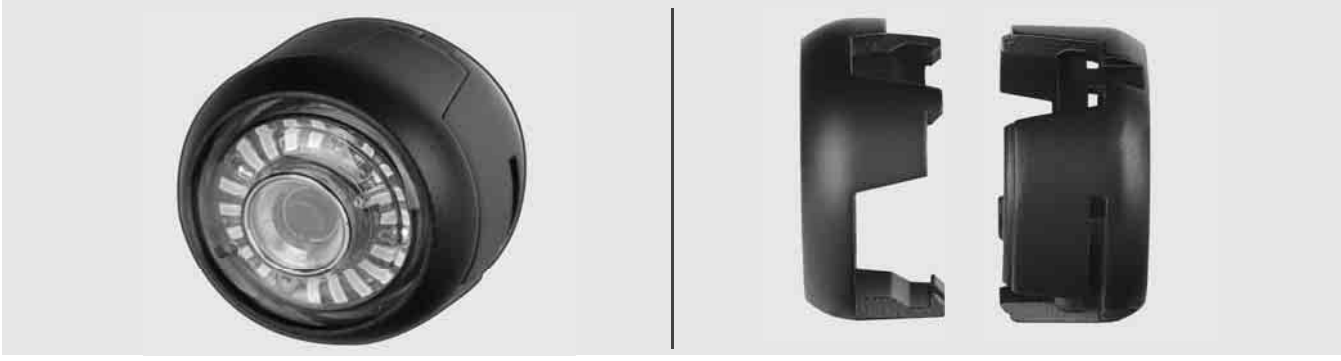




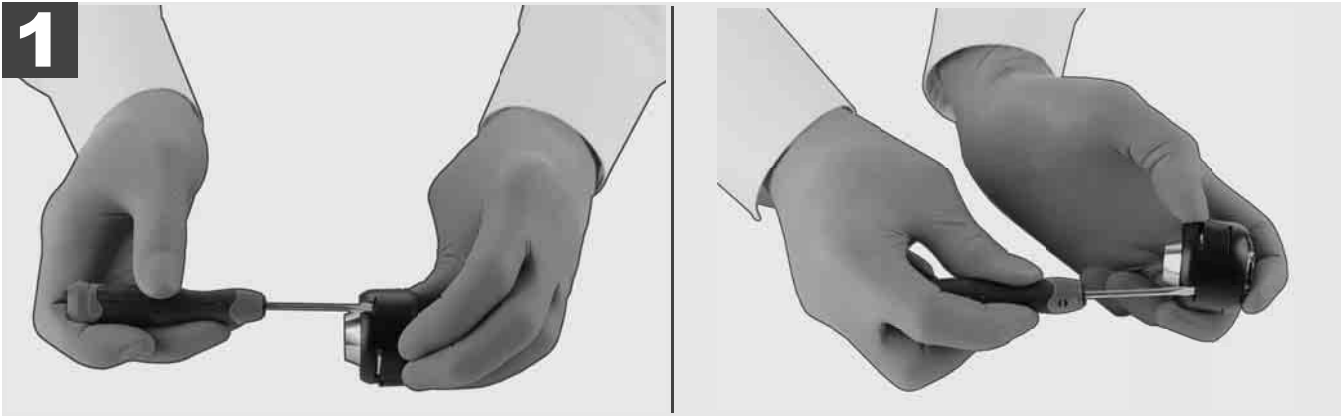
### 3.10 أغطية حماية الكاميرا

أغطية الحماية - تتناسب مع رؤس الكاميرات التي بقطر من 25 مم حتى 34 مم. يجري توريد أغطية الحماية هذه مع جميع بكرات فحص المواسير أو رؤس الكاميرات البديلة.

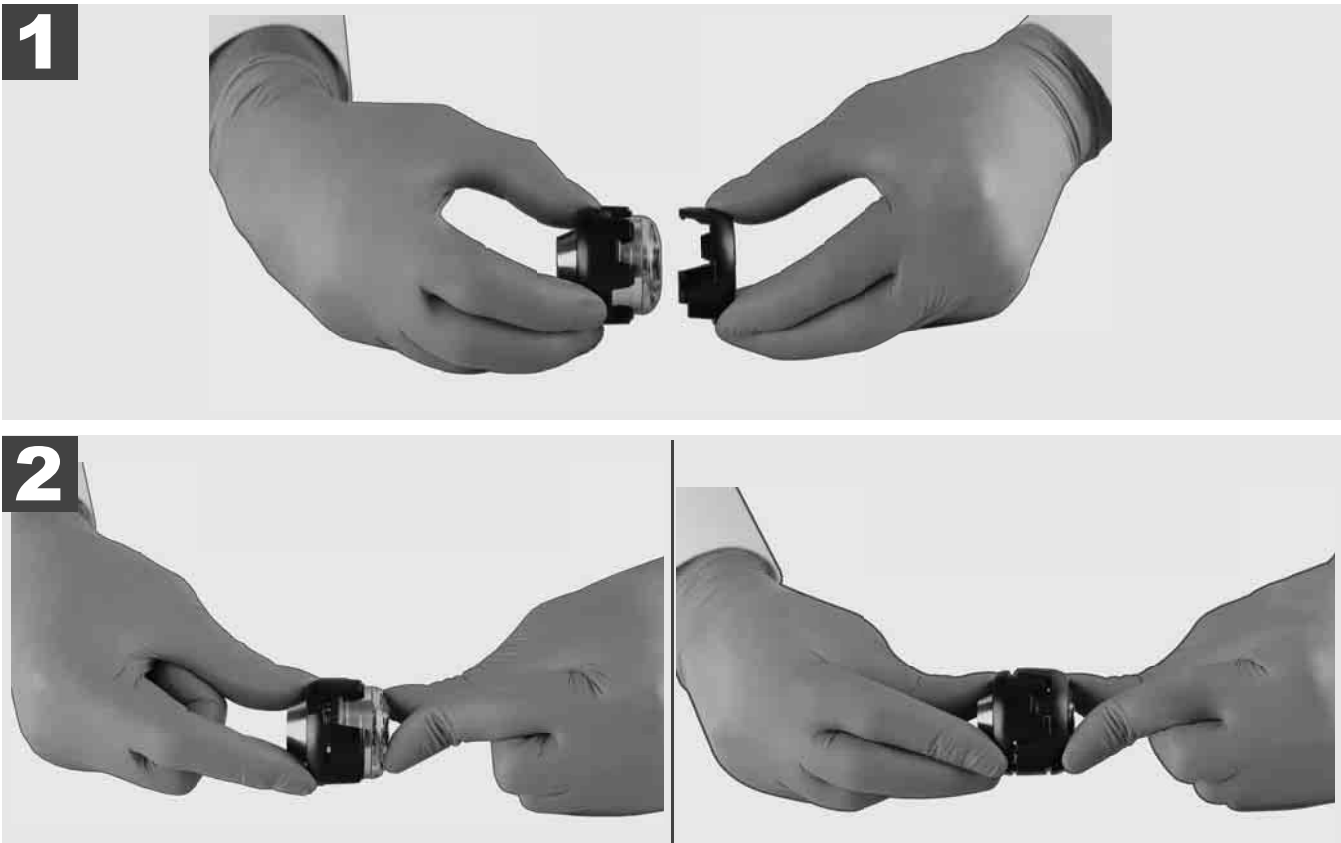
مجريات توجيه - توضع على مجموعة التركيب الحلزونية، لكي يسير رأس الكاميرا بشكل مستقيم فوق الأرض ولا يلامس الماسورة مباشرة.



#### أزغ غطاء الحماية



#### ضع غطاء الحماية





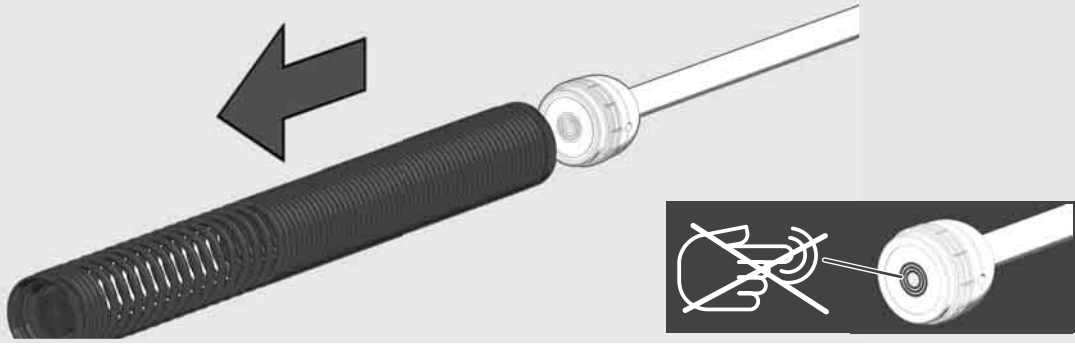


لا تمسك بقدر الإمكان اللوحة المطبوعة الخضراء أو الوصلات الذهبية على مجموعة التركيب الحزونية وكذلك رأس الكاميرا بالأيدي العارية. خلافاً لذلك تنتقل طبقة شحمية من الأصابع على هذه الأجزاء الأمر الذي قد يؤدي إلى تكون صدأ بها مبكراً. ارتدي تبعاً للإمكانيات قفازات كاوتشوك نظيفة وجافة. أمسح رأس الكاميرا قبل نزعها للتجفيف وتخلص من بقايا التلوثات التي قد تتواجد في منطقة توصيل الكاميرا. لا تشدد الإحكام بشكل شديد ولا تستخدم قوة أكثر من اللازم!

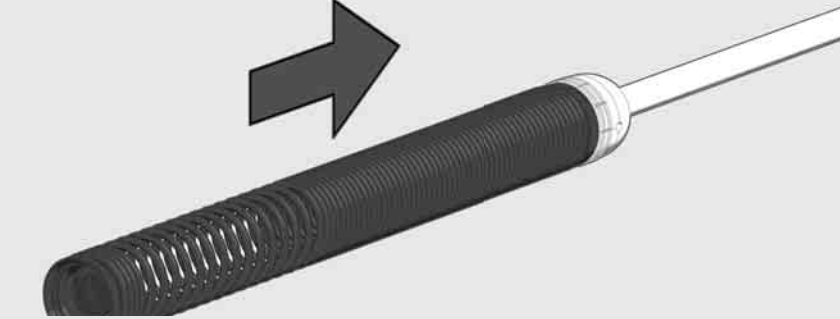
1



2



3



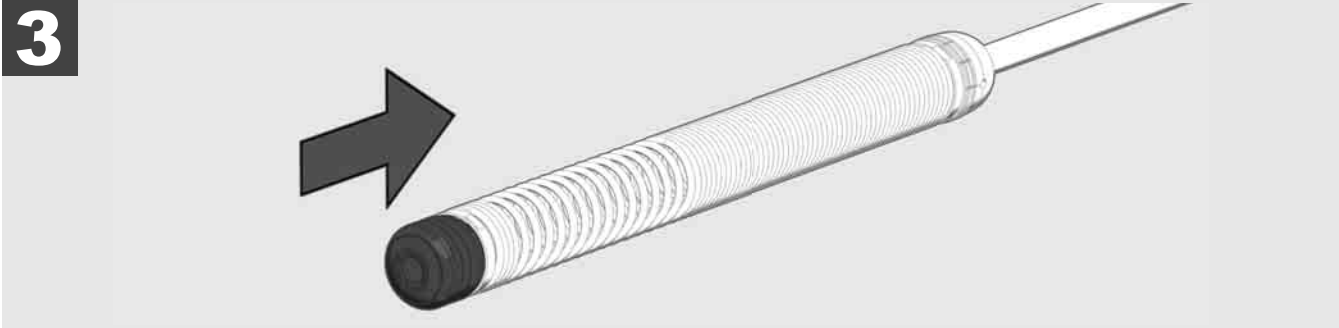
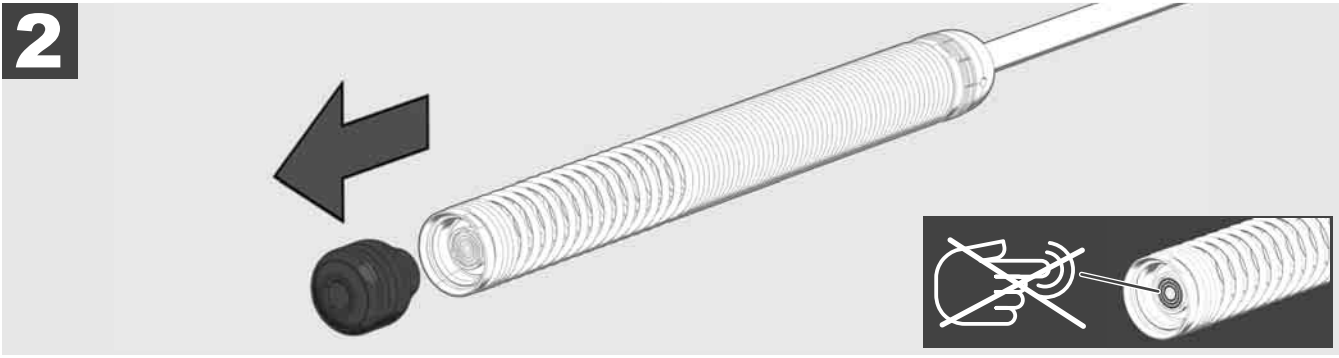
4





### 3.8 مجموعة تركيب رأس الكاميرا

لا تمسك بقدر الإمكان اللوحة المطبوعة الخضراء أو الوصلات الذهبية على مجموعة التركيب الحلزونية وكذلك رأس الكاميرا بالأيدي العارية. خلافًا لذلك تنتقل طبقة شحمية من الأصابع على هذه الأجزاء الأمر الذي قد يؤدي إلى تكون صدأ بها مبكراً. ارتدي تبعاً للإمكانيات قفازات كاوتشوك نظيفة وجافة. أمسح رأس الكاميرا قبل نزعها للتجفيف وتخلص من بقايا التلوثات التي قد تتواجد في منطقة توصيل الكاميرا. لا تشدد الإحكام بشكل شديد ولا تستخدم قوة أكثر من اللازم!





فحص كبل الدفع عن أثار تهاك - عند لف الكبل افحص الكبل عما إذا كان به قطوع وإنحناءات وتآكل. إذا كان الغلاف الخارجي للكبل قد استهلك بشكل شديد، بحيث يمكن مشاهدة ألياف الكيفلار الأصفر والأبيض، يكون من الواجب استبدال كبل الدفع. عند استخدام كبل للدفع به أضرار في الغلاف الخارجي من الممكن تغلغل المياه والرطوبة، الأمر الذي يضر بجودة صور الكاميرا أو يمكن أن يؤدي إلى تعطل الكاميرا.

الصور التالية تعرض أمثلة لأغلفة خارجية بها أضرار شديدة. كبلات الدفع التي من هذا القبيل يجب استبدالها بأسرع قدر ممكن.

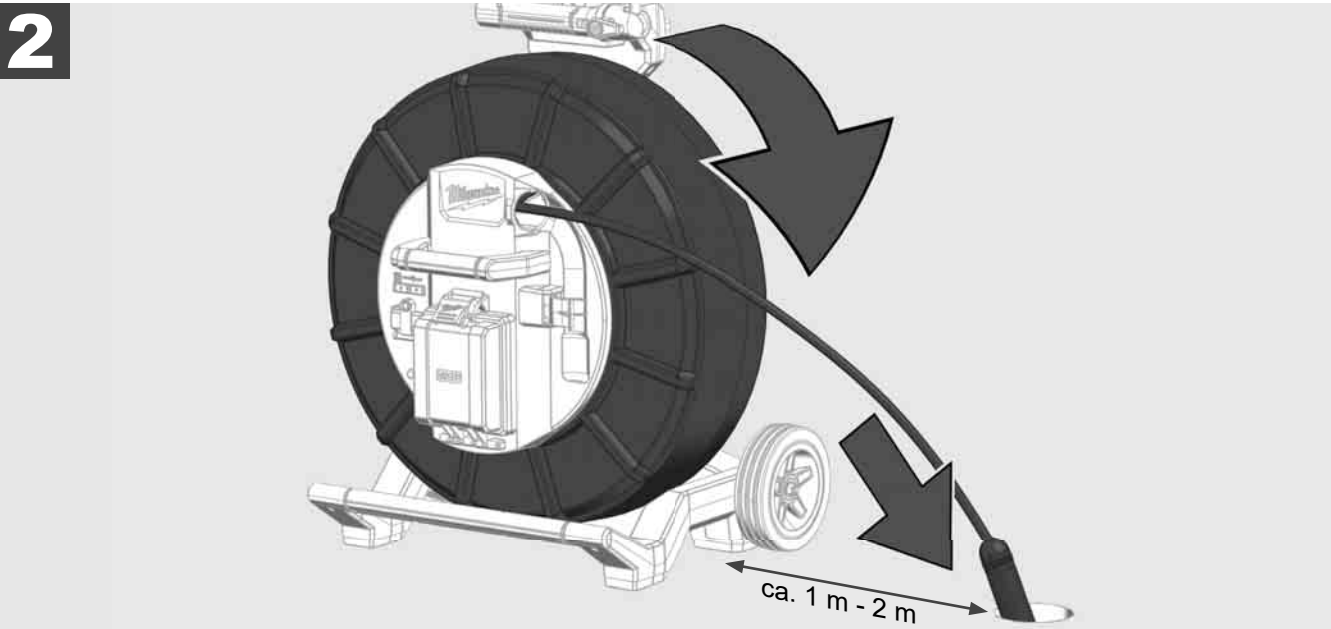
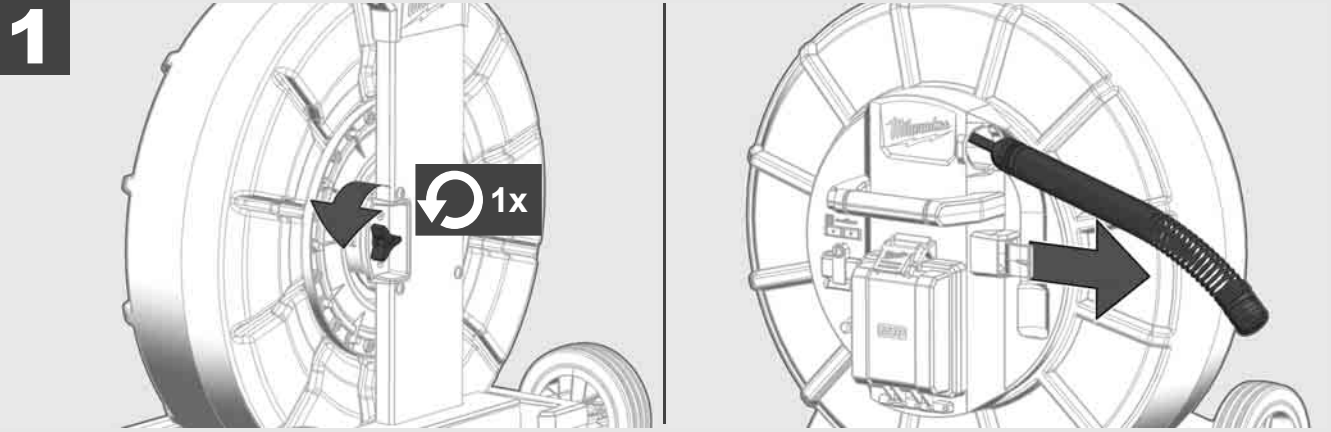


حافظ على كبل الدفع ومجموعة التركيب الحلزونية دائماً جافة ونظيفة - نظف الكبل بفوطه نظيفة جافة عند اللف دائماً. في نهاية يوم العمل قم بإزالة بقايا التلوثات بحذر من رأس الكاميرا والحلزون تحت الماء الجاري. جفف بالاهتزاز أو بطرد الماء الزائد بهواء مضغوط وجفف الأجزاء في أعقاب ذلك. رأس الكاميرا وكبل الدفع وأجزاء التوصيل معرضة في الاستخدام اليومي لكيماويات شديدة التأثير. تنظيف النظام بعناية يطيل من عمر هذه الأجزاء.

تعامل بعناية مع كبل الدفع - لا تسحب كبل الدفع من البكرة المعطلة عن الدوران. خلافاً لذلك يتم ضغط الكبل داخل البكرة مع بعضه البعض ويستهلك بشكل أكثر من اللازم. أما سحب كبل الدفع إلى الخلف في البكرة المعطلة عن الدوران يمكن أن يؤدي على العكس من ذلك إلى إنقلاب البكرة أو إنحناء الكبل.

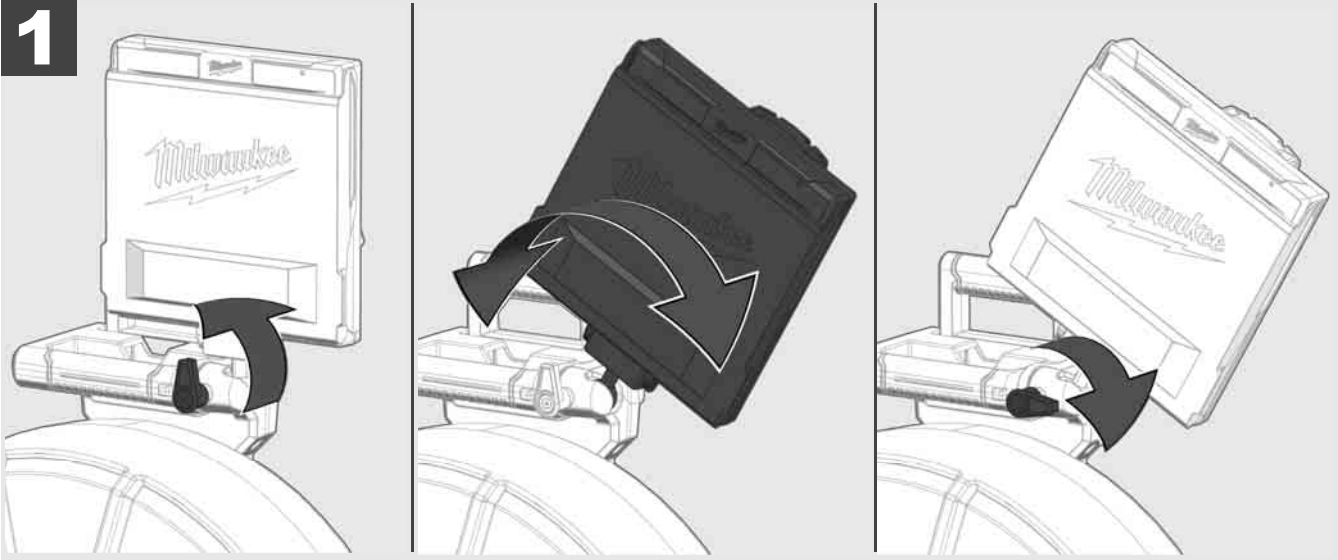
ضع البكرة على أرضية مستوية على مسافة تبعد من 1 إلى 2 متر من موضع الإدخال. على هذا النحو يظل هناك مكاناً كافياً للتعامل مع الكبل، دون حدوث عقد في الكبل على الأرض. إذا استدعى الأمر اضغط على فرملة الاحتكاك، لكي تنبسط من حركة كبل الدفع.

إذا استخدمت البكرة في وضع أفقي، تزيد المساحة بين الأقدام. يضيف هذا ثباتاً للبكرة على الأرضية الغير مستوية ويحد من ارتفاعها، الأمر الذي قد يكون مفيداً في حالة الظروف الضيقة في المكان.

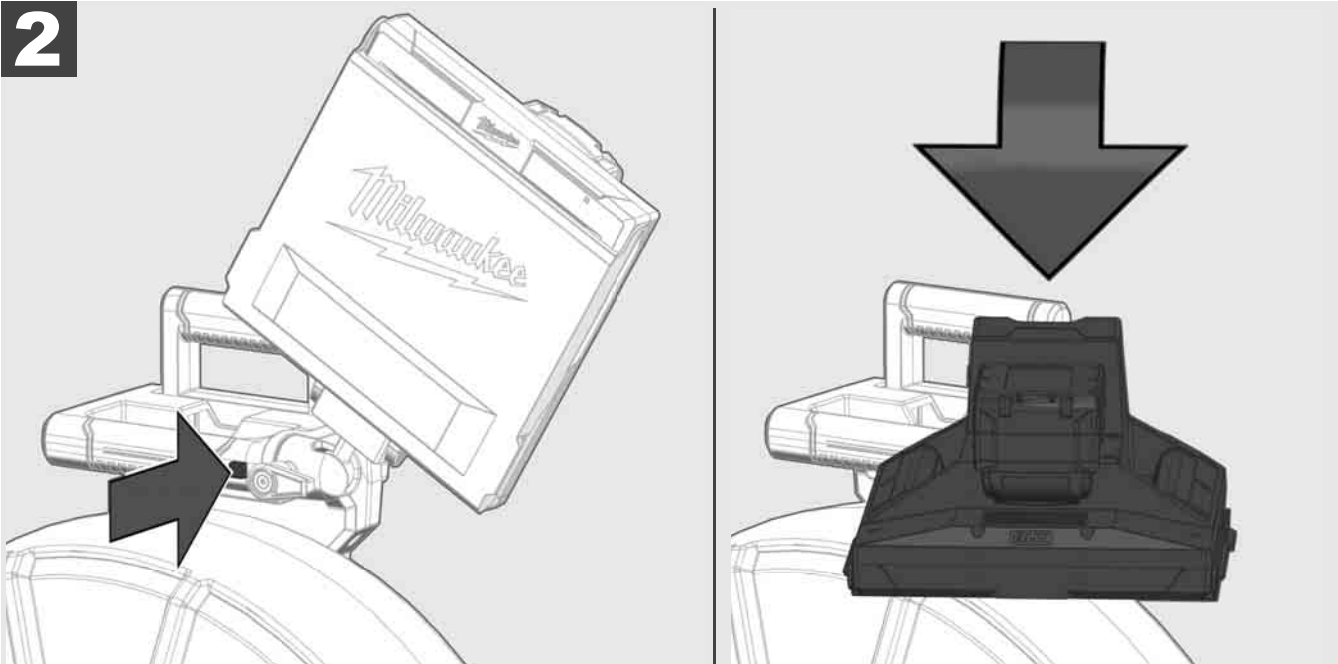




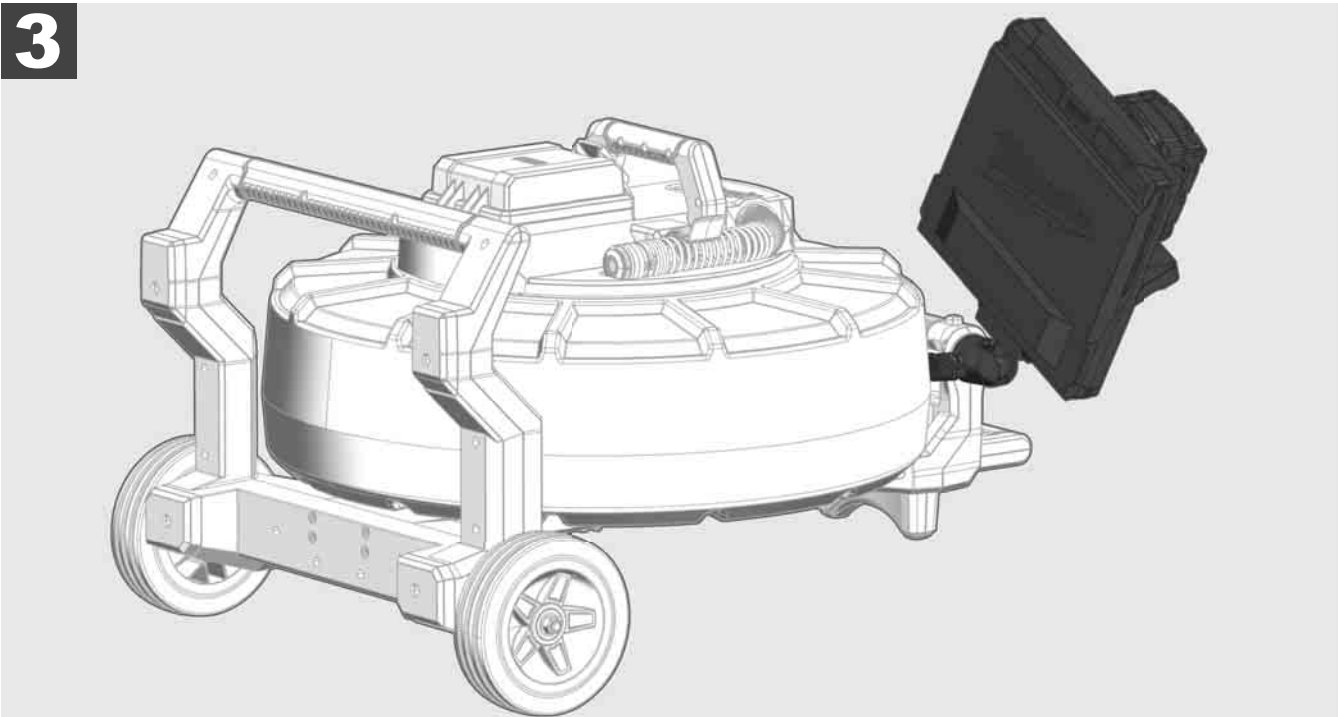
1



2

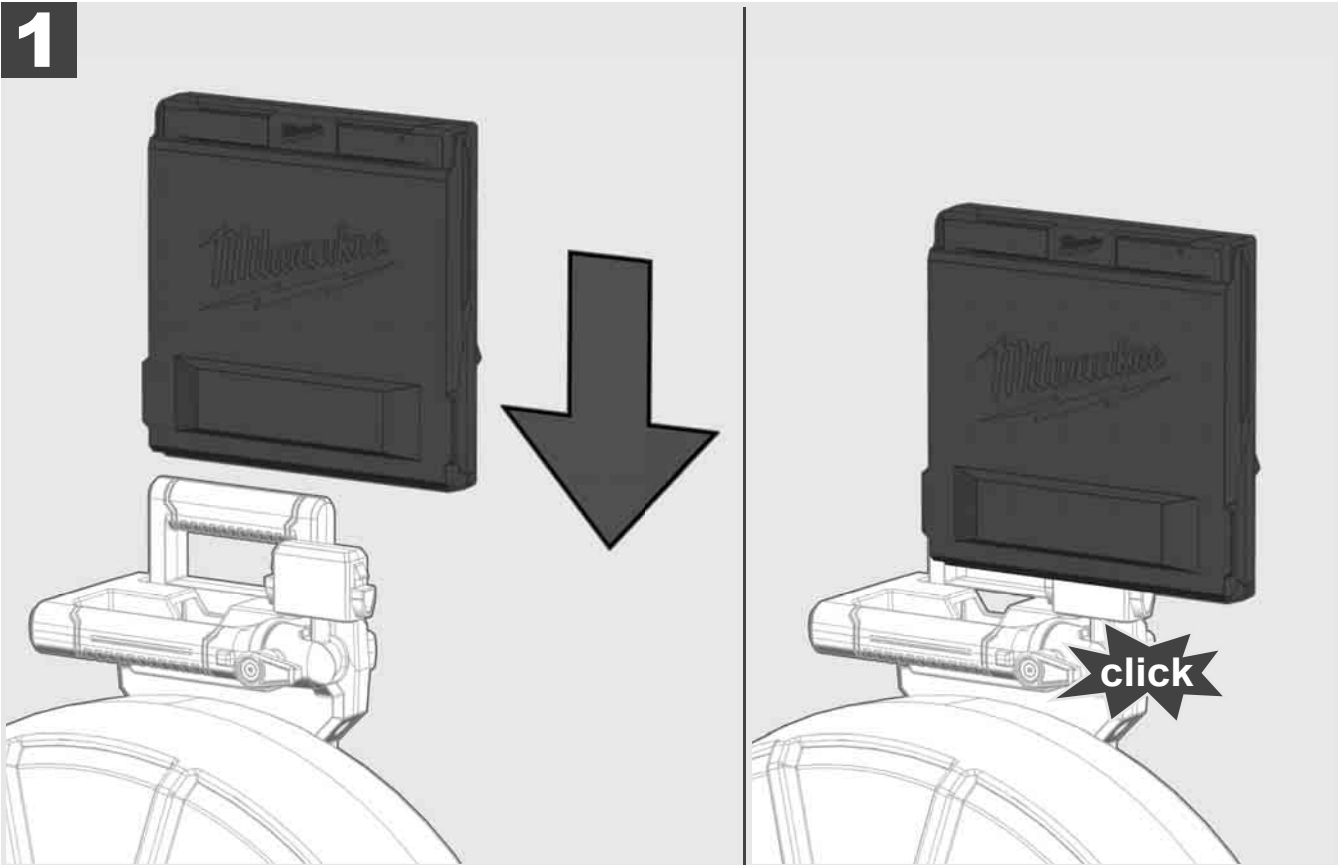


3

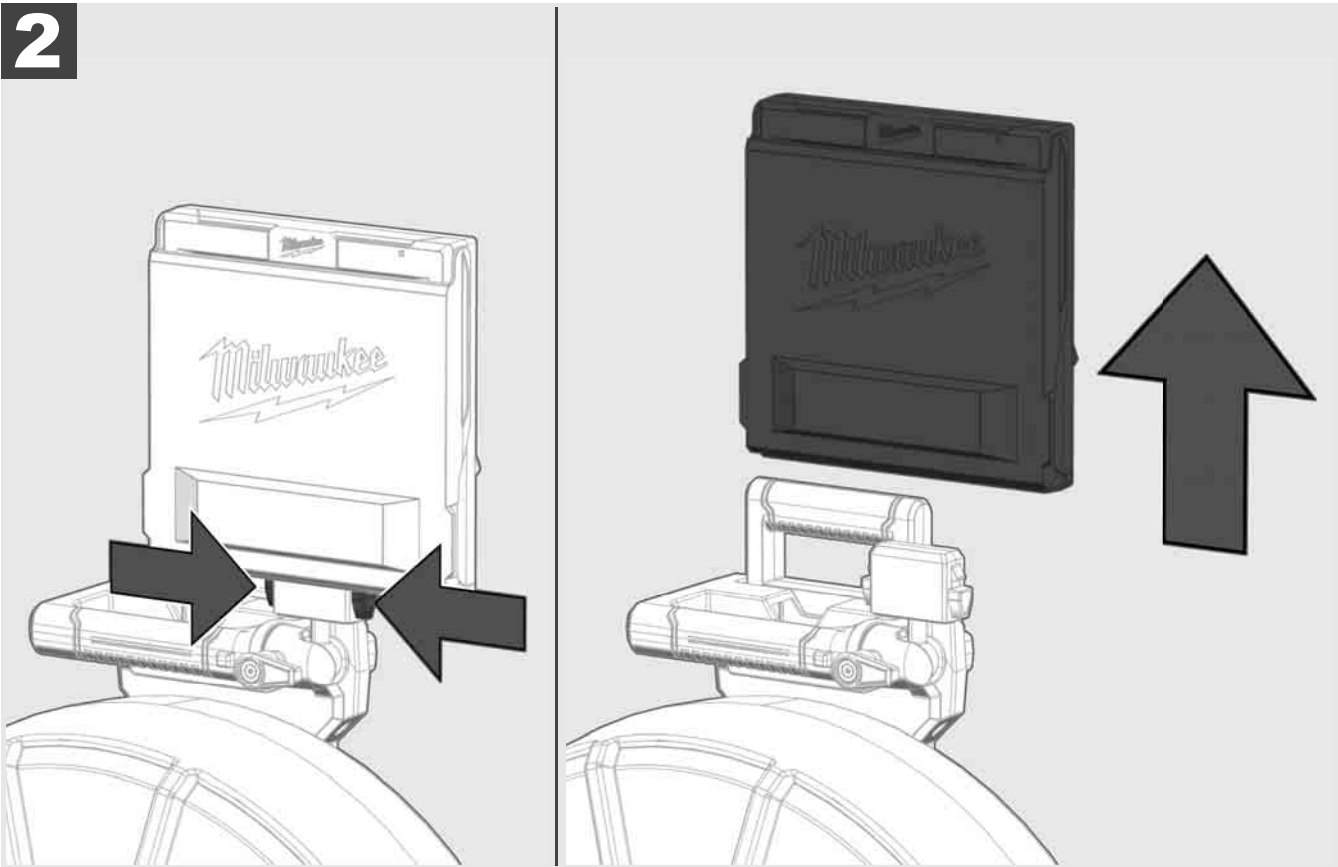




1

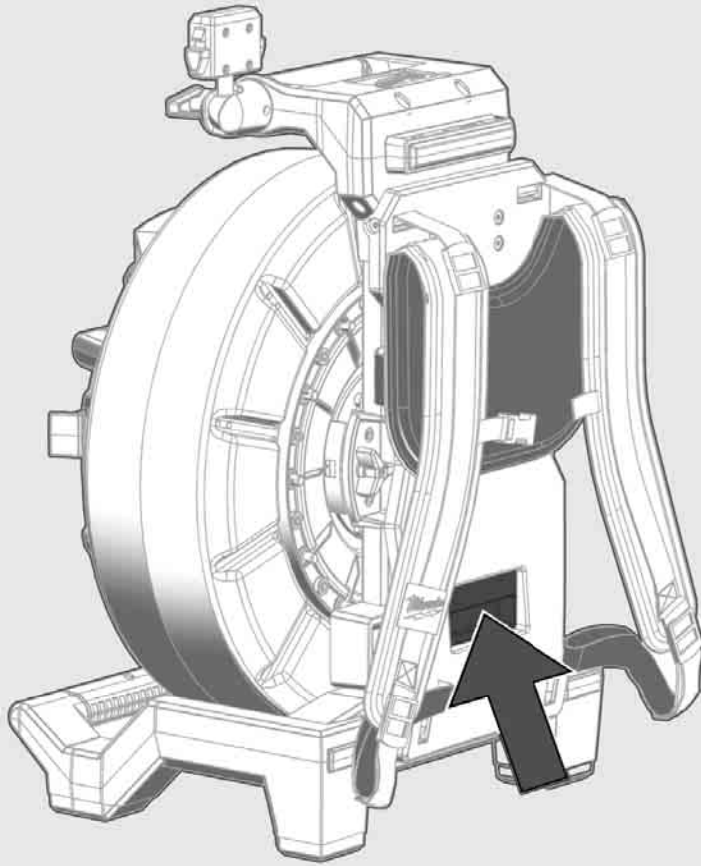


2

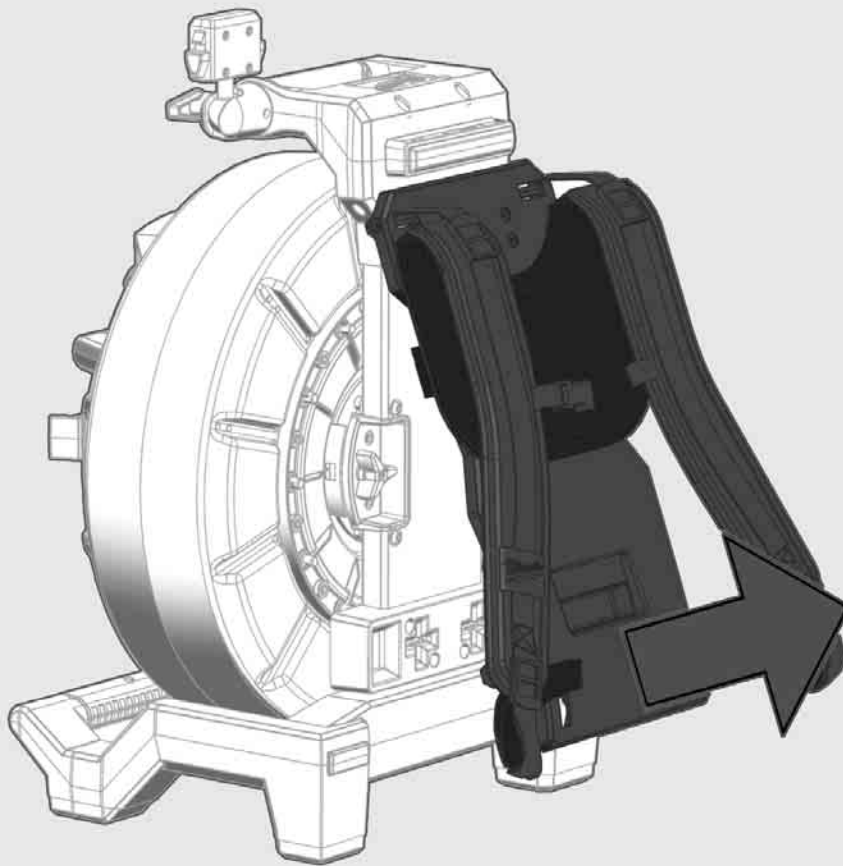




1

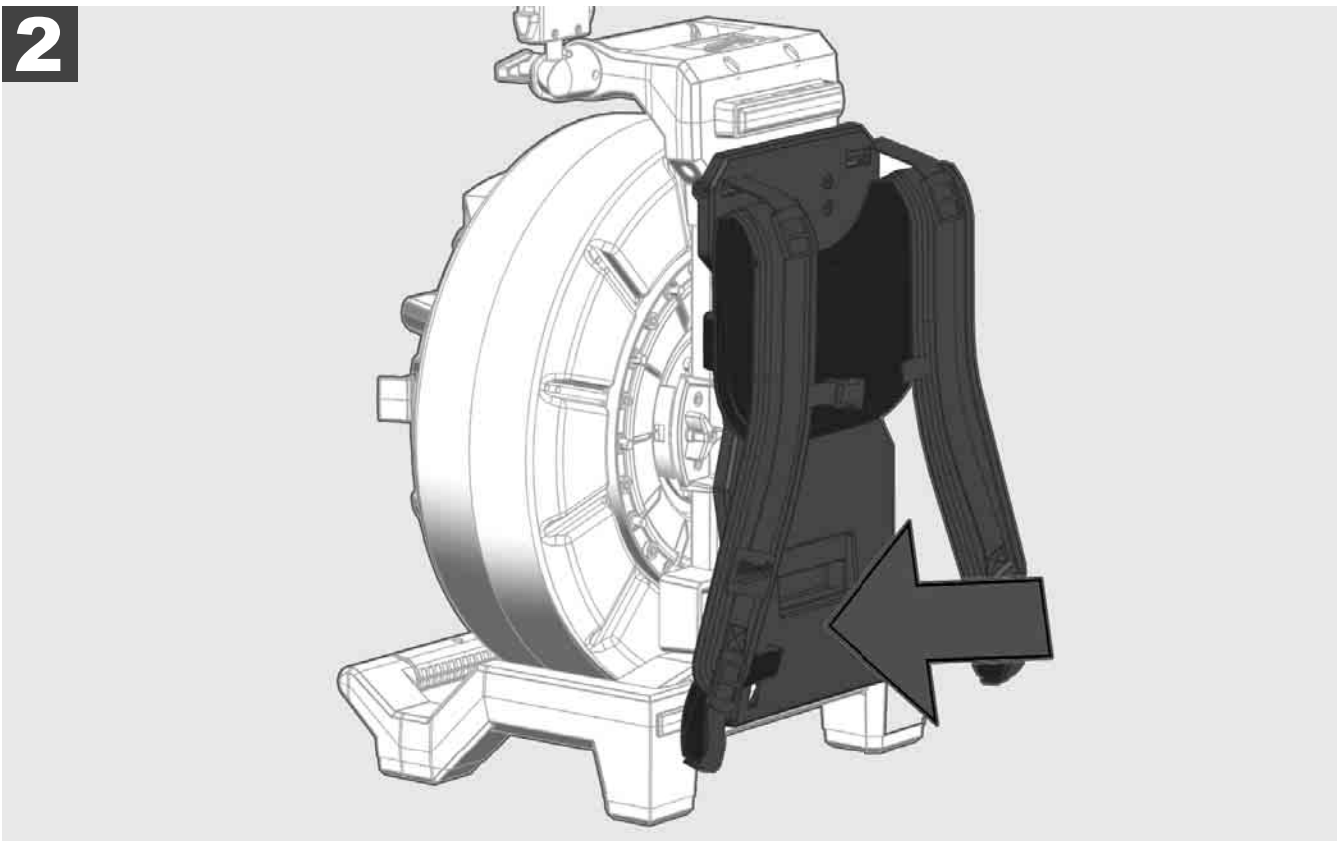
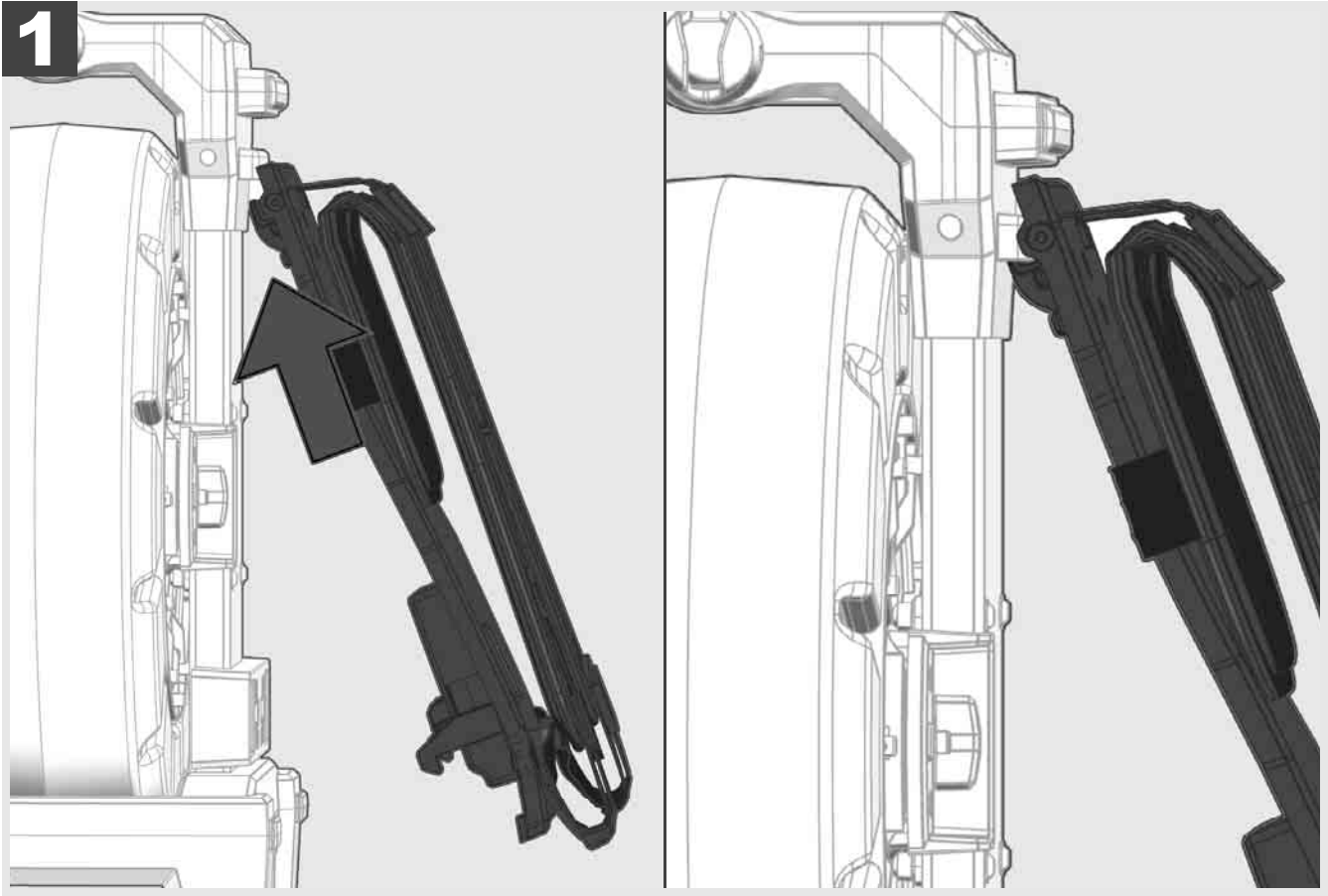


2

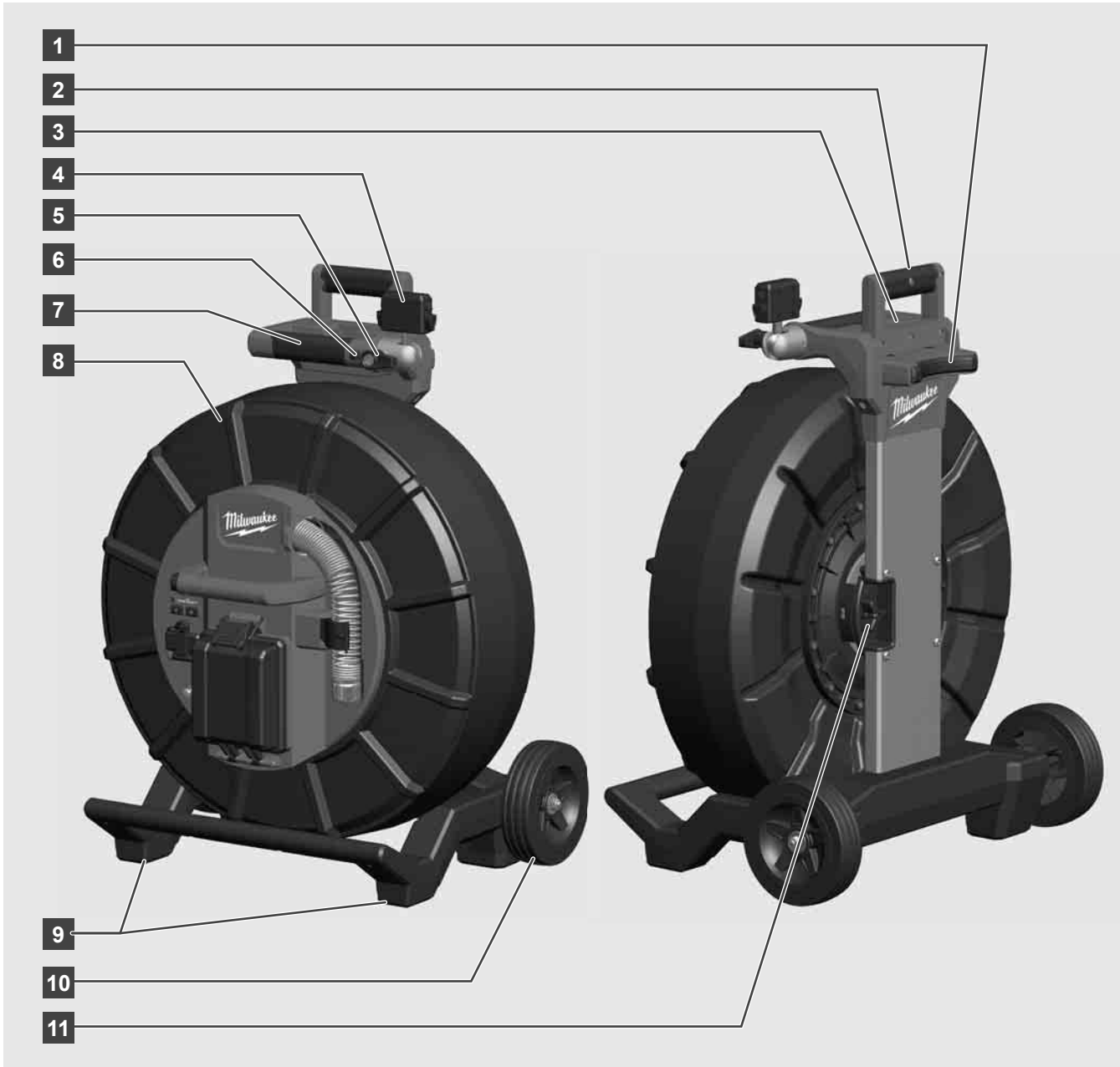




بكرة فحص المواسير M18 SIC36 مزودة بوسيلة حمل يمكن حمل البكرة على الظهر مثل حقيبة الظهر. باستخدامها يمكن نقل البكرة الصغيرة بشكل مريح إلى مكان الاستخدام، الأمر الذي يبدو عملياً عند صعود درجات السلم أو عند استخدام السلالم.

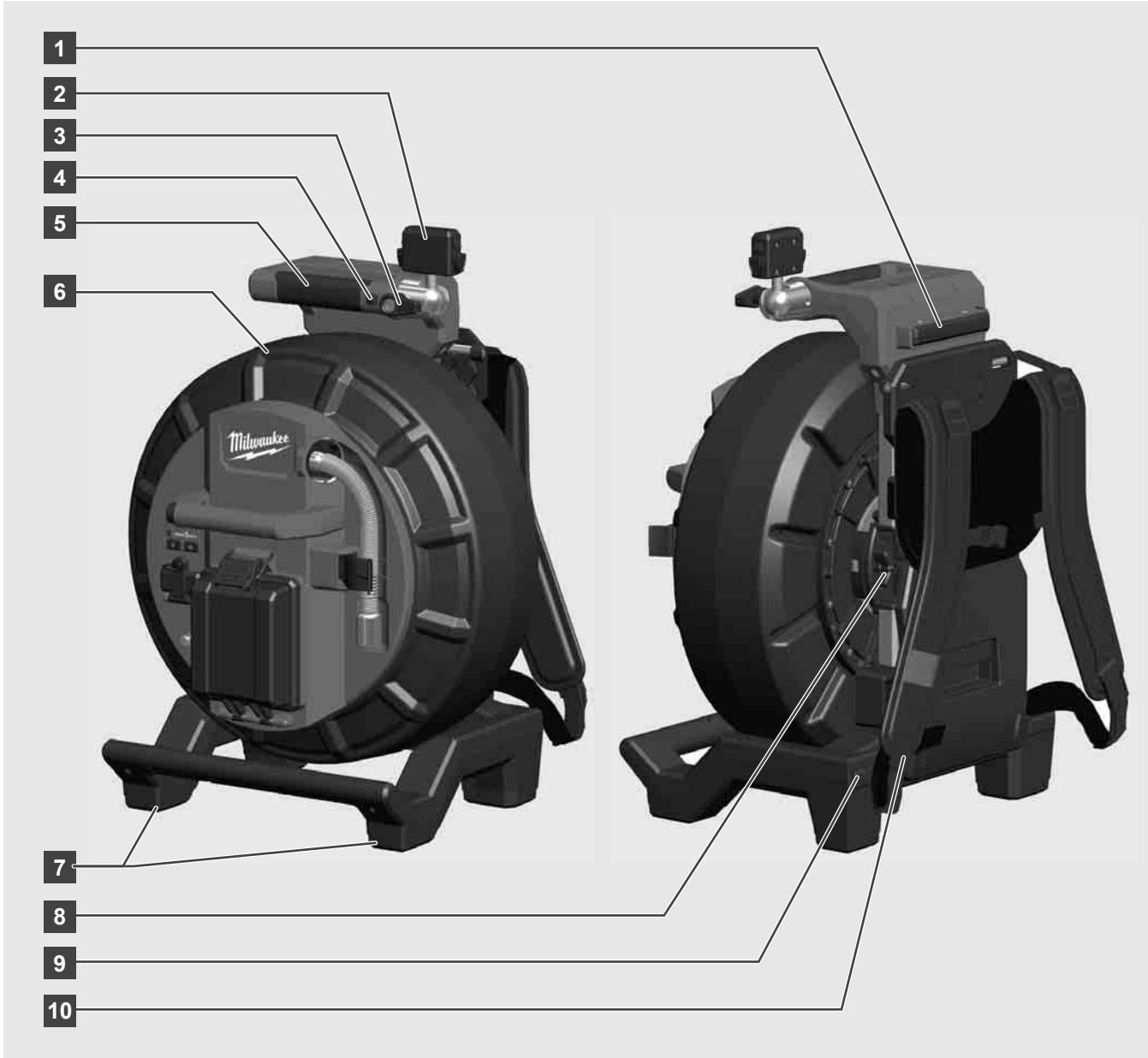


علق وسيلة الحمل من أعلى وإضغط براحة اليد ضد الجزء الأسفل حتى يتم تعشيق وسيلة الحمل. قم بشد وسيلة الحمل قصيراً، لكي تتأكد، أنه قد تم تعشيقها.



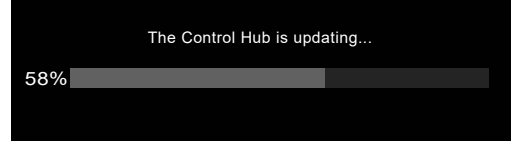
- 1 قدم وضع للاستخدام الأفقي
- 2 مقبض يمكن سحبه للخارج (في وضع الإدخال)
- 3 زر لتعطيل وإزالة تعطيل سحب المقبض للخارج
- 4 شاشة لاسلكية M18 SIM - حامل / حامل كمبيوتر لوحى ومنفذ توصيل
- 5 شاشة لاسلكية M18 SIM - تأمين الدوران
- 6 شاشة لاسلكية M18 SIM - تأمين الانقلاب
- 7 المقبض
- 8 بكرة أسلاك بها كبل للدفع
- 9 قدم وضع للاستخدام الرأسي
- 10 عجلات
- 11 فرملة لبكرة الكبل



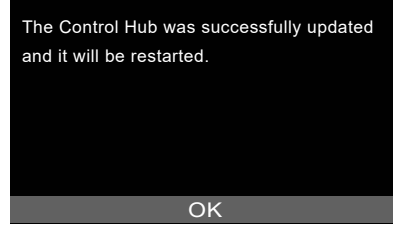


- 1 قدم وضع للاستخدام الأفقي
- 2 شاشة لاسلكية M18 SIM - حامل للكمبيوتر اللوحي ومنفذ توصيل
- 3 شاشة لاسلكية M18 SIM - وسيلة منع الدوران
- 4 شاشة لاسلكية M18 SIM - وسيلة منع الانقلاب
- 5 المقبض
- 6 بكرة كبلات بها كبل للدفع
- 7 قدم وضع للاستخدام الرأسي
- 8 فرملة لبكرة الكبل
- 9 قدم وضع للاستخدام الأفقي
- 10 وسيلة حمل

8. على شريط تقدم الإجراء سوف يتم عرض سير التحديث.



9. في نهاية التحديث سوف تظهر رسالة يجب تأكيدها. اختار OK لكي تبدأ تشغيل النظام مرة أخرى.

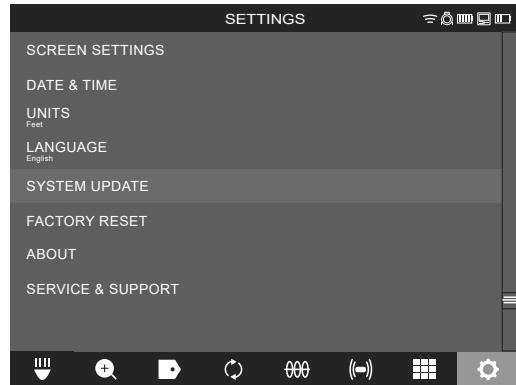


10. اختار (ZF-D) إعدادات (Z-F-D) (PF) معلومات (PF)، لكي تتحقق، عما إذا كان قد تم تحديث البرامج الثابتة.

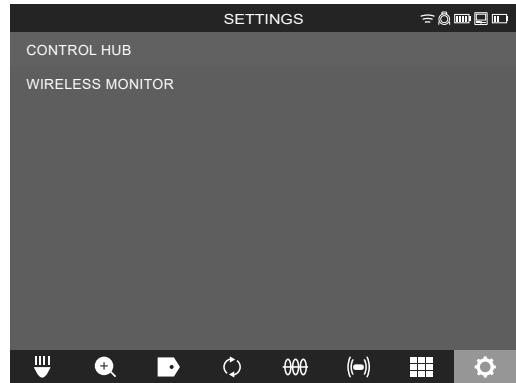
قبل تحديث النظام افتح قائمة الأوامر **إعدادات** → **معلومات** وسجل رقم إصدار البرامج الثابتة.

يمكن إجراء تحديث البرامج الثابتة إما عن طريق الشاشة اللاسلكية M18 SIM أو باستخدام كمبيوتر لوحي مع تطبيق Milwaukee® لفحص المواسير.

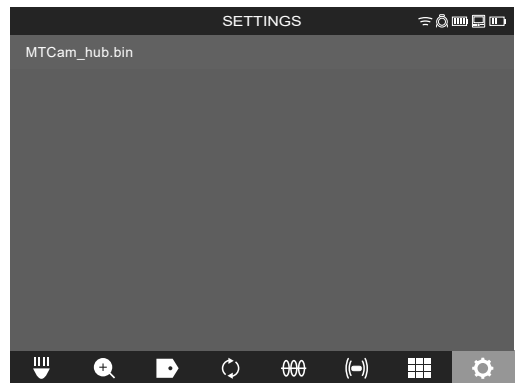
1. قم بتشغيل Smart Hub M18 SISH والشاشة اللاسلكية M18SIM أو الكمبيوتر اللوحي مع تطبيق Milwaukee® لفحص المواسير.
2. تأكد من أن الشاشة اللاسلكية M18 SIM أو الكمبيوتر اللوحي متصل بـ Smart Hub M18 SISH عن طريق شبكة WLAN. إذا لم يكن هناك اتصال عن طريق شبكة WLAN، قم أولاً بإنشاء هذه الشبكة.
3. أدخل فلاشة يو أس بي التي تحمل تحديث البرامج الثابتة في منفذ يو أس بي - أيه على Smart Hub M18 SISH.
4. اختر **إعدادات** → **تحديث النظام**



5. اختر Smart Hub M18 SISH.



6. أسم ملف التحديث سوف يظهر على الشاشة. اختر **اسم الملف**، لكي تبدأ التحديث.



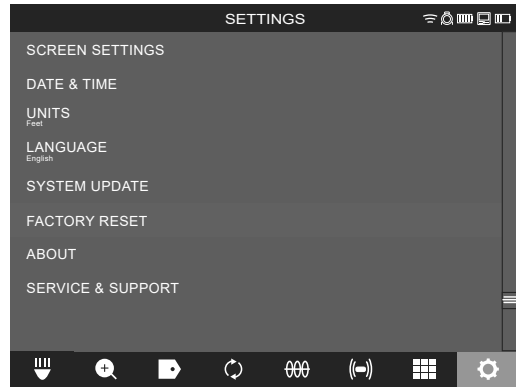
7. إقرأ إشارة التحذير وأكدها بـ OK.

Selecting OK will run a firmware update in the Control Hub. Please do not interrupt the update process after it has started.

Cancel OK

- إن اختيار وظيفة إعدادات المصنع تعيد Smart Hub M18 SISH إلى القيم التي تم ضبطها من المصنع. الإعدادات التالية في Smart Hub M18 SISH يتم إعادتها إلى للوضع الأصلي:
- يتم محو العلامات.
  - إعدادات الفيديو والصور يتم إعادتها إلى 1080 نقطة.
  - يتم محو اسم الشركة.
  - ترددات المجسات يتم إعادتها إلى إعدادات المصنع.
  - متابعة الكبل يتم إعادتها إلى إعدادات المصنع.
  - إعدادات ضبط الشاشة يتم إعادتها إلى إعدادات المصنع. درجة اللون، درجة السطوع، تباين الألوان، مدى التشبع.
  - وحدات القياس

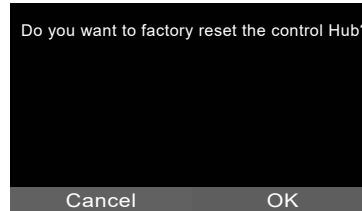
### 1. اختيار إعدادات المصنع → إعدادات المصنع



### 2. اختيار إعدادات المصنع Smart Hub M18 SISH



### 3. إقراء إشارة العودة إلى إعدادات المصنع وأكدها بـ OK.



أنتهت الإعادة إلى ضبط المصنع وسيعود النظام إلى قائمة الأوامر الفرعية إعدادات المصنع مرة أخرى.

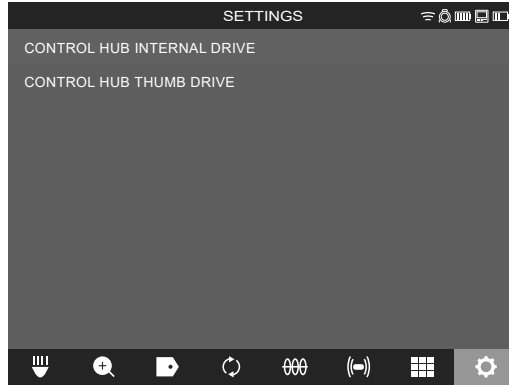
## 2.12 تهيئة محرك الأقراص الداخلي وفلاشة يو أس بي

بهذه الوظيفة تستطيع تهيئة محرك الأقراص الداخلي 500 ميغا بايت الخاص بـ Smart Hub أو فلاشة يو أس بي لتخزين البيانات.

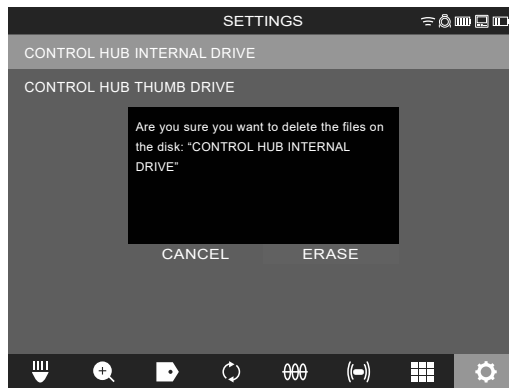
يجب تهيئة فلاشة يو أس بي تبعاً لنظام جدول توزيع الملفات FAT32.

1. أختار **إعدادات** → **تهيئة الذاكرة**

2. أختار الذاكرة

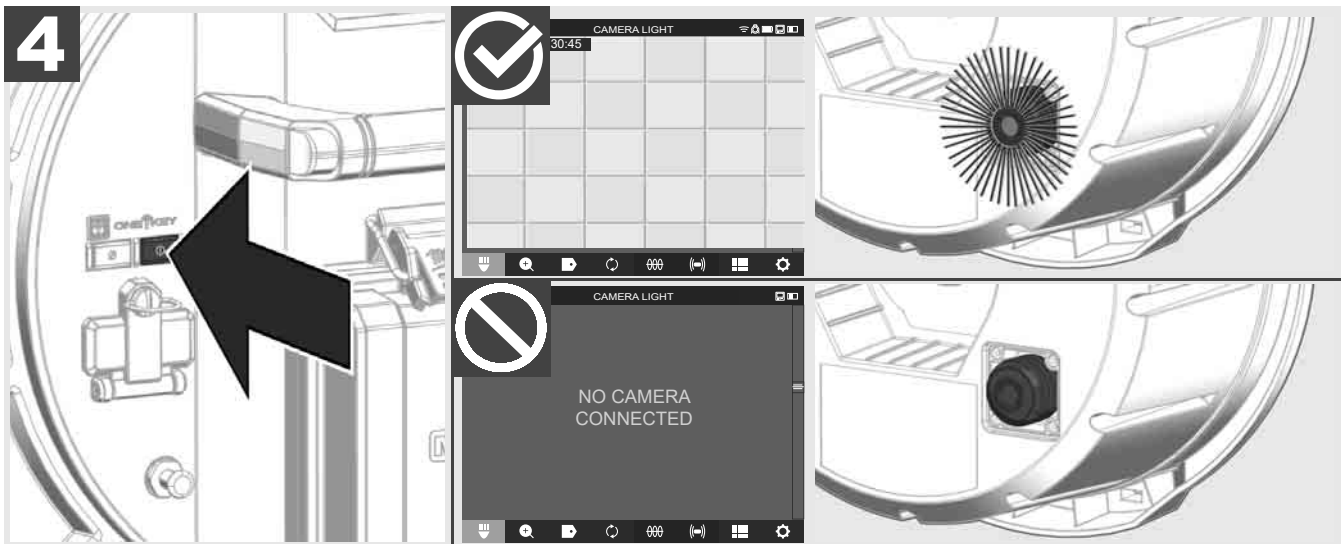
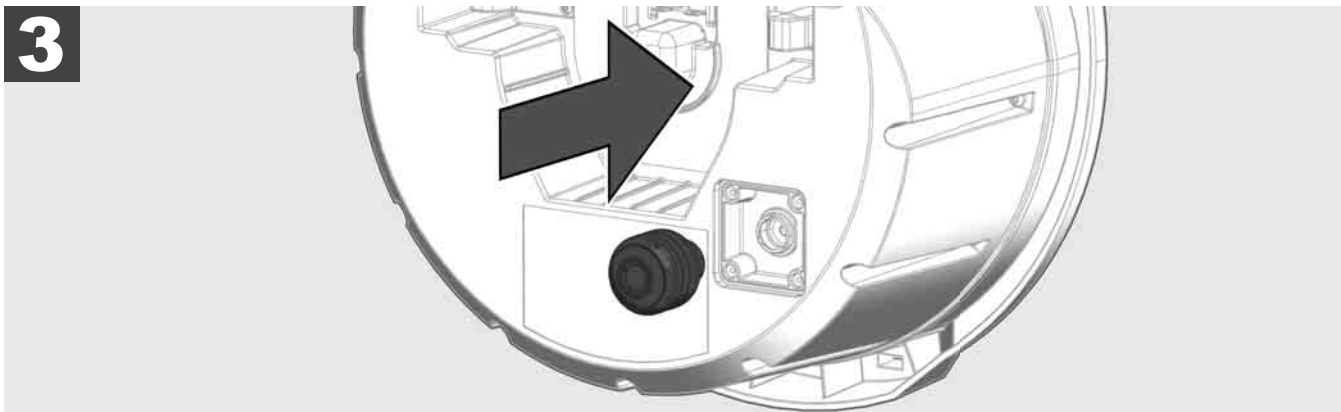
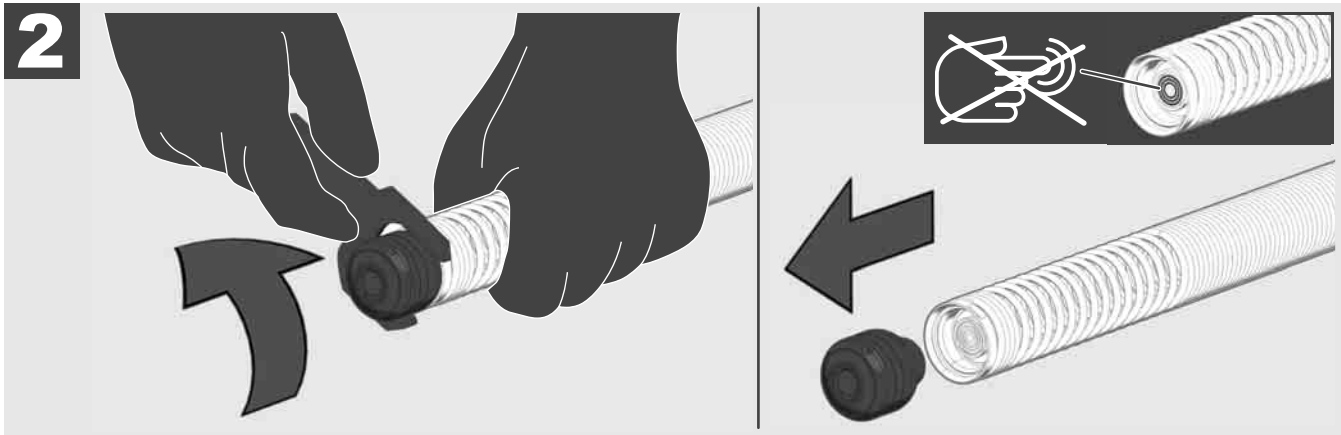
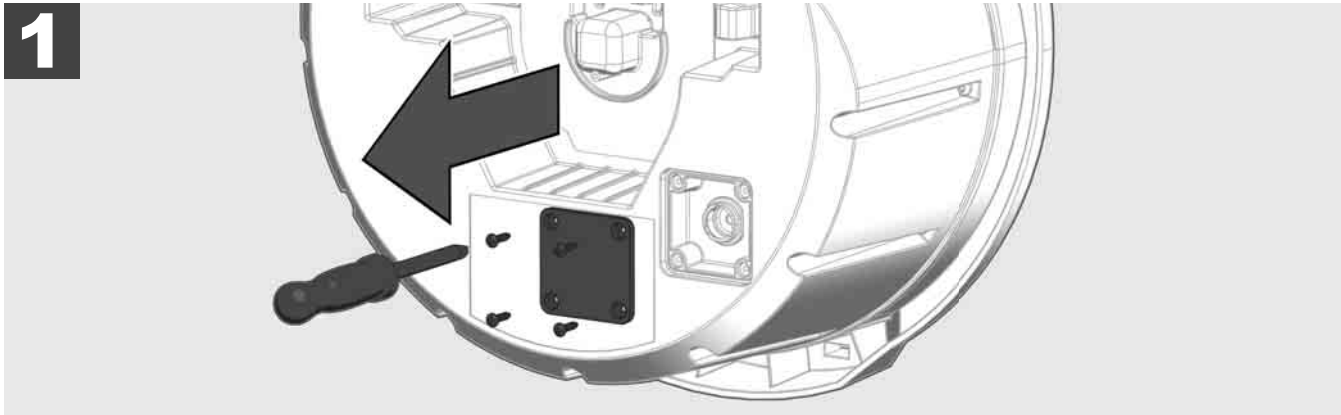


3. أكد الرسالة التي تظهر على الشاشة.



سوف يتم تهيئة محرك الأقراص الذي تم اختياره لحفظ البيانات وسيعود النظام إلى قائمة الأوامر **إعدادات** مرة أخرى.


إذا نشأت مشاكل مع رأس الكاميرا، يمكن فحص الكاميرا عن طريق منفذ توصيل الاختبار.



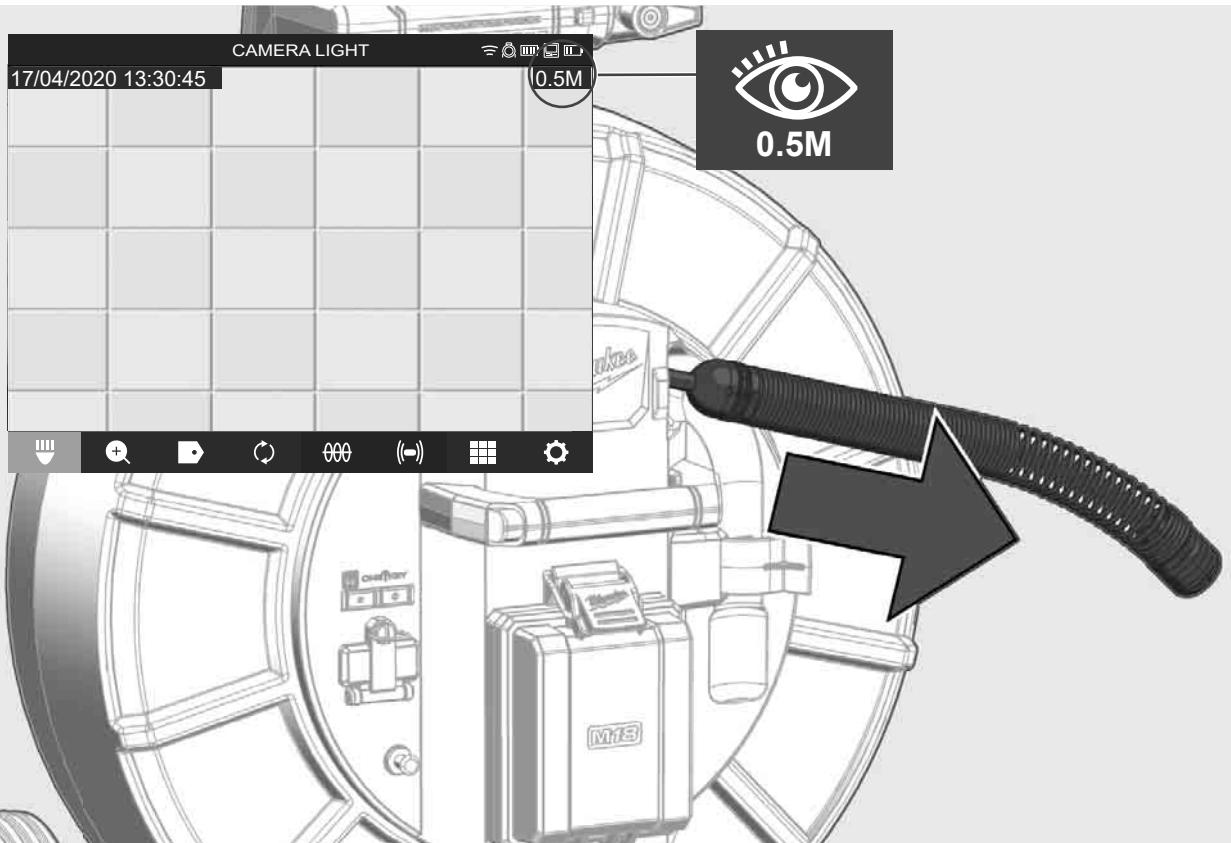


## 2.10 إعادة عداد الأطوال إلى الوضع الأصلي

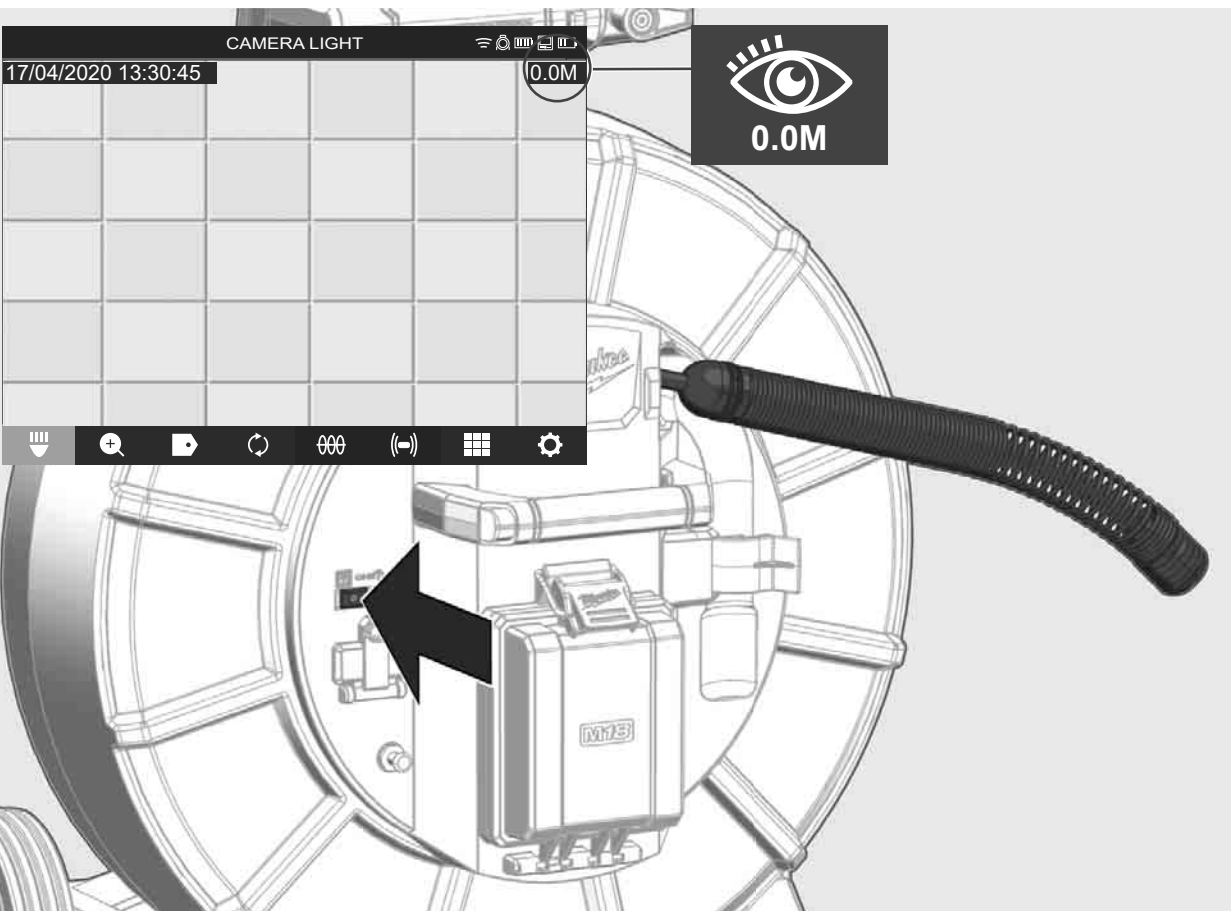
عند فك بكرة فحص المواسير يتم عرض طول الكبل الذي تم فكه على شريط المعلومات على الشاشة اللاسلكية M18 SIM.

لإعادة شاشة العرض إلى الوضع الأصلي، أضغط الزر .

1

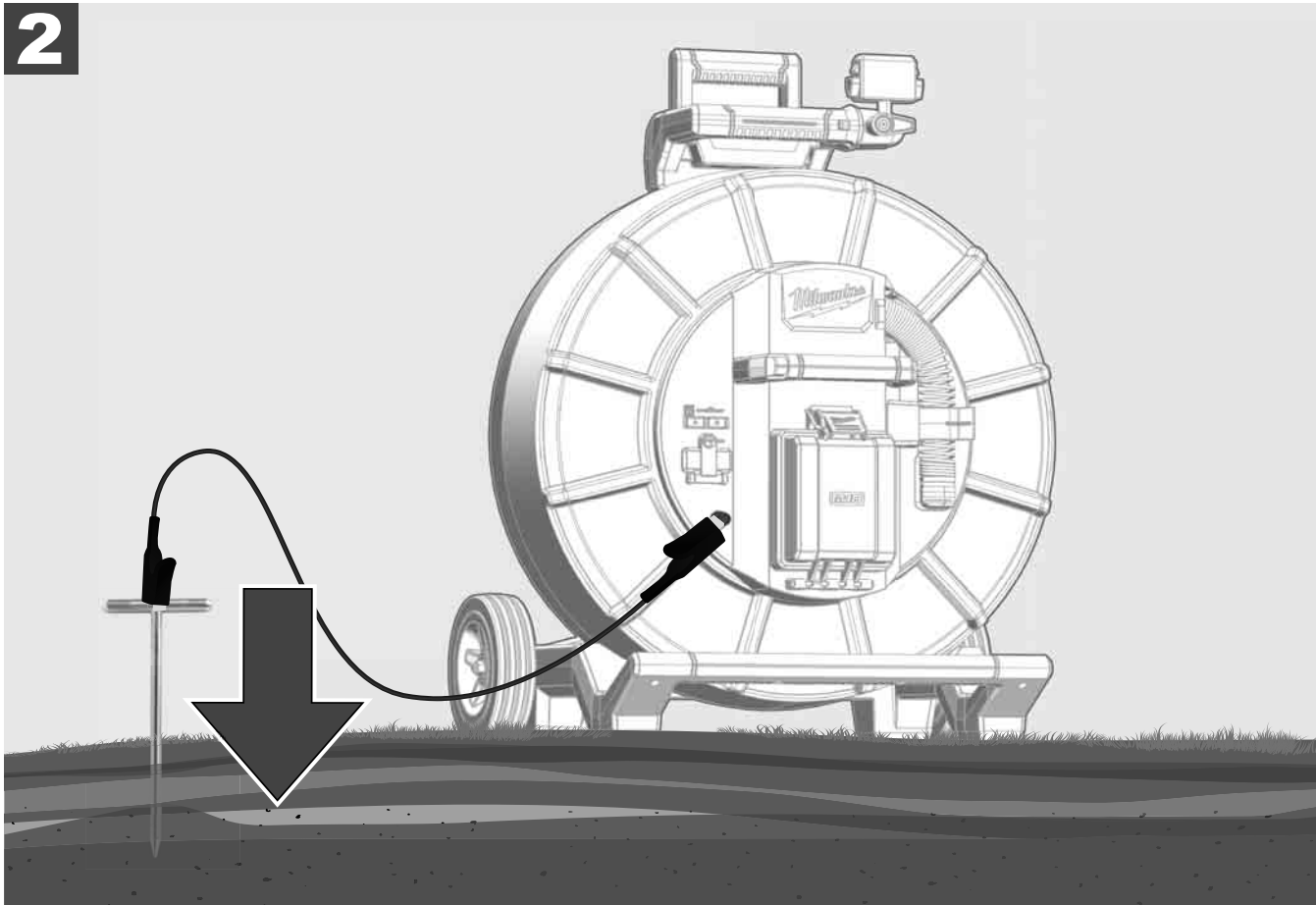
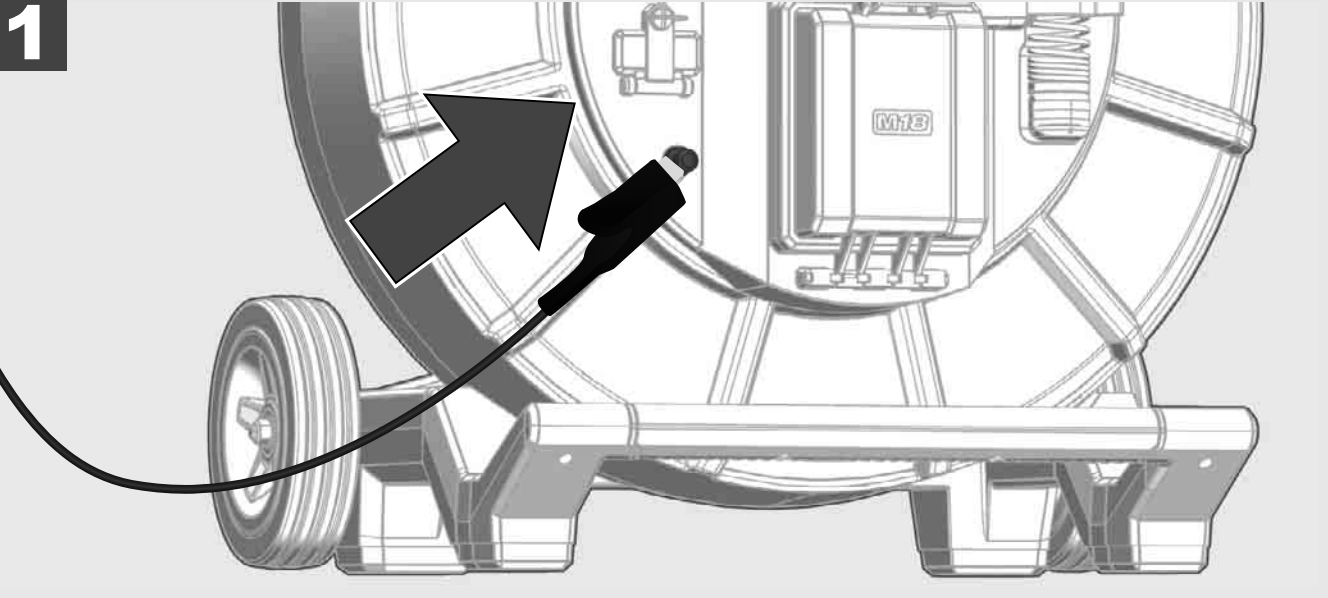


2

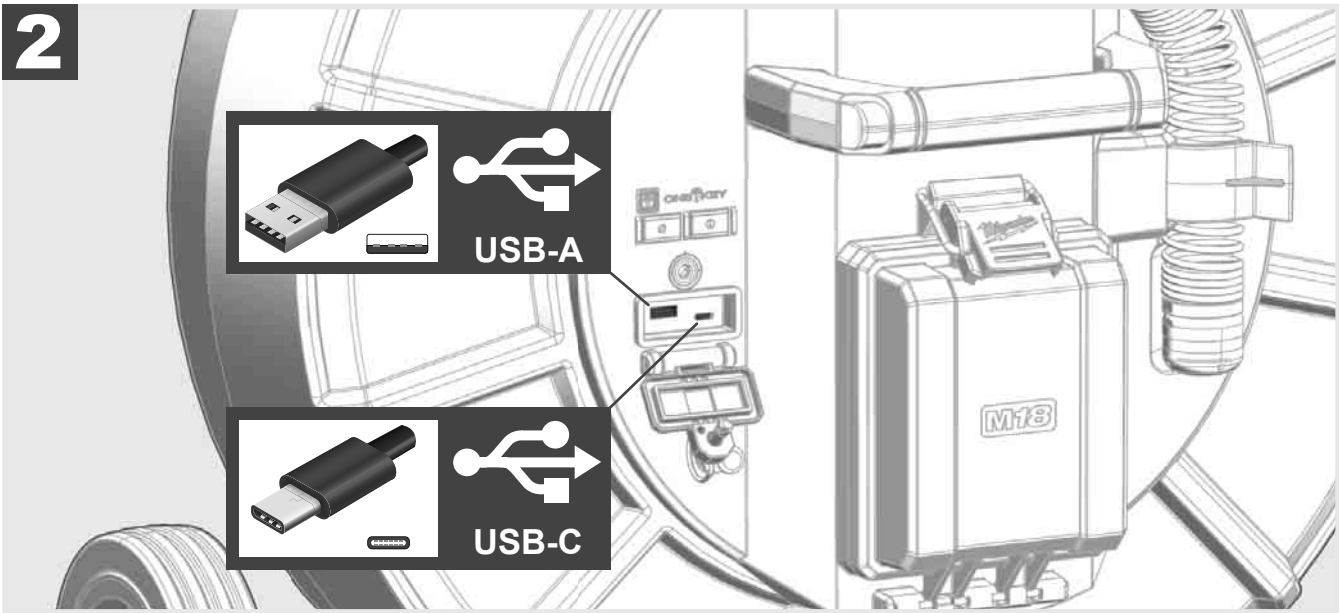
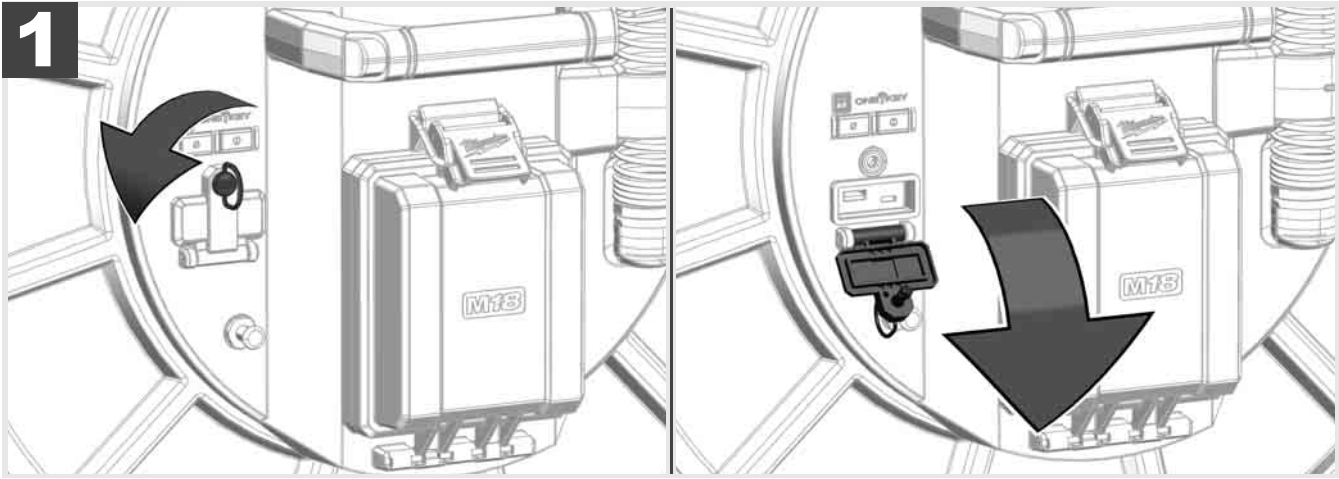




يجب استخدام عصاة التآريض دائماً، إذا تم متابعة كبل الدفع عن طريق وظيفة متابعة الكبل. يجب تآريض Smart Hub، لكي يتم غلق دائرة التيار وإرسال إشارة جيدة لتحديد الموضع. استخدم كبل التآريض المورد مع النظام بما فيه عصاة التآريض من أجل تآريض Smart Hub.





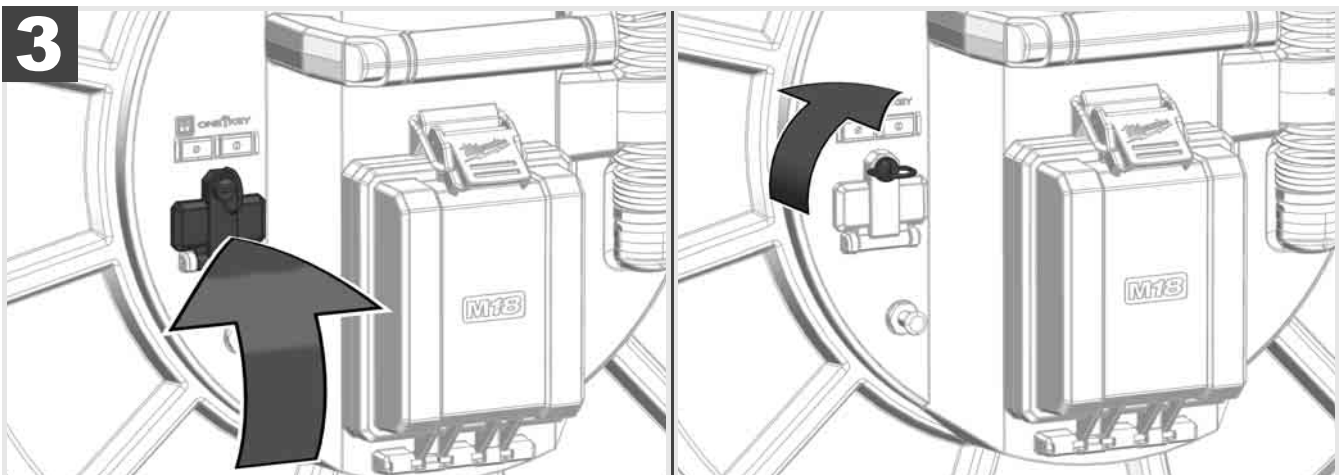


يو أس بي - آيه

- منفذ للاستخدام العادي. يسمح بالتسجيل المباشر لملفات الفيديو والصور أو نقلها من محرك الأقراص الداخلي في الـ Smart Hub.
- يتيح إجراء تحديث البرامج الثابتة على الـ Smart Hub.

يو أس بي - سي

- يتيح الربط بين الشاشة اللاسلكية M18 SIM و SMART HUB بدون شبكة WLAN.
- إمداد SMART HUB بالتيار عن طريق الشاشة اللاسلكية M18 SIM أو العكس، إذا كانت البطارية غير مشحونة.



لكي تغير ضبط نظام صيانة المواسير والتحكم في وظائفه وعرض الصور والفيديوهات المسجلة بواسطة الكاميرا، هناك حاجة إلى جهاز عرض خارجي. لا تشمل أجزاء نظام فحص المواسير الذي يتم توريده على جهاز العرض الخارجي ويجب شرائه منفصلاً. الإمكانيات التالية متوفرة:

- شاشة لا سلكية MILWAUKEE M18 SIM ماركة

- الكمبيوتر اللوحي أو الهاتف الذكي مع تطبيق MILWAUKEE لفحص المواسير.

يتم توصيل الشاشة اللاسلكية عبر شبكة WLAN أو منفذ يو أس بي - سي بنظام فحص المواسير ويكون جاهزاً للاستخدام على الفور. عند استخدام كمبيوتر لوحي أو هاتف ذكي يجب تثبيت تطبيق MILWAUKEE لفحص المواسير على الجهاز المعني.

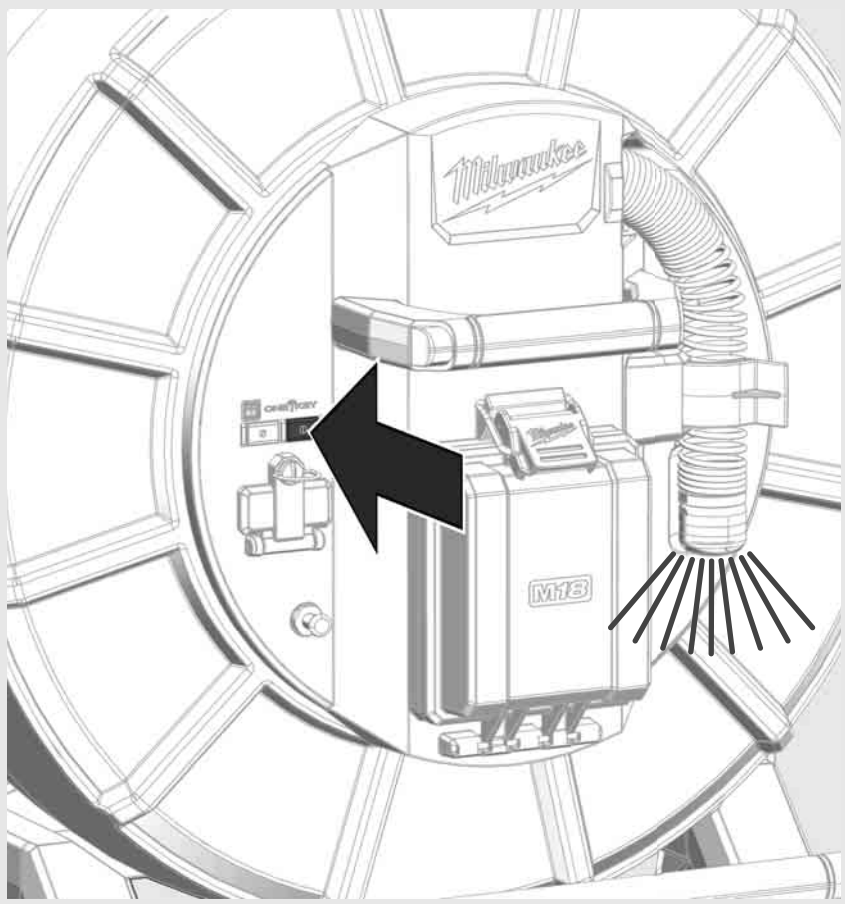
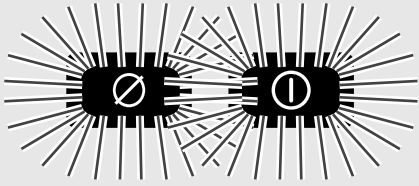
**الاستخدام لأول مرة مع الشاشة اللاسلكية M18 SIM:**

1. قم بتشغيل Smart Hub والشاشة اللاسلكية:
2. الشاشة اللاسلكية سوف تتصل تلقائياً خلال 25 ثانية بـ Smart Hub.
- \*لربط الشاشة بواسطة الكبل قم بتوصيل الشاشة عن طريق كبل يو أس بي - سي مع Smart Hub.

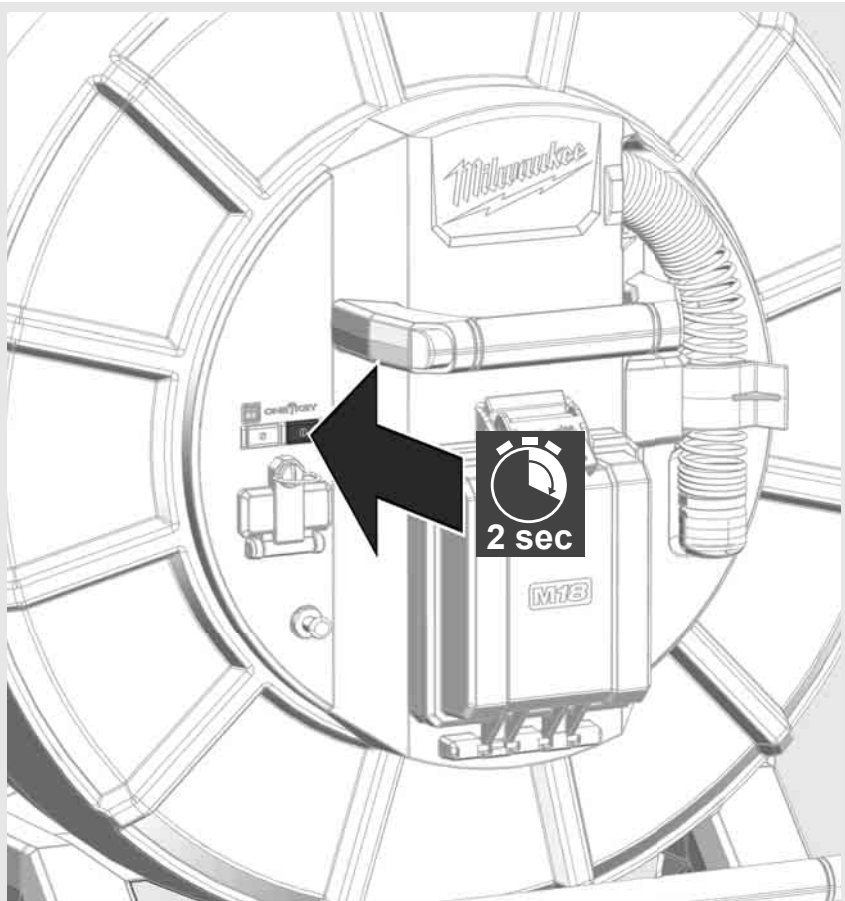
**الاستخدام لأول مرة مع هاتف ذكي أو كمبيوتر لوحي:**

1. قم بتنزيل وتثبيت تطبيق MILWAUKEE لفحص المواسير.
2. قم بتشغيل Smart Hub والشاشة اللاسلكية:
3. اختر خيار إعدادات < WLAN.
4. اختر الخيار [ # LAST 9 DIGITS OF HUB SERIAL ]
5. أدخل كلمة المرور: 29702000
6. يبدأ تشغيل تطبيق MILWAUKEE لفحص المواسير .

# ON

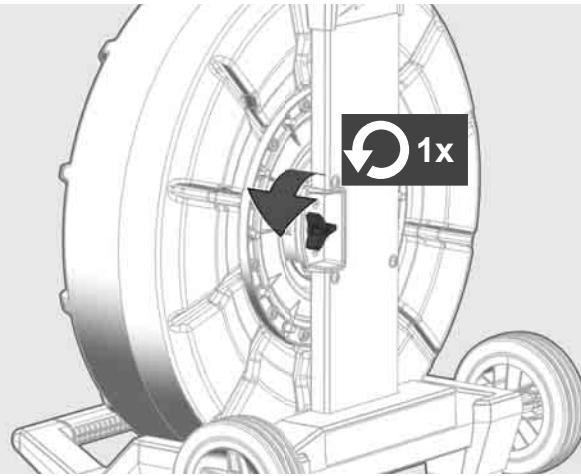


# OFF

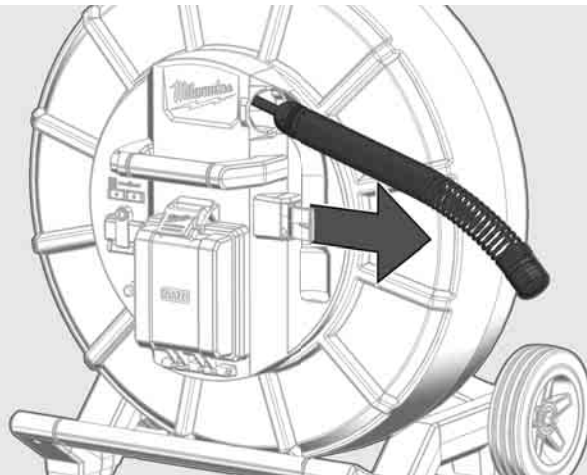




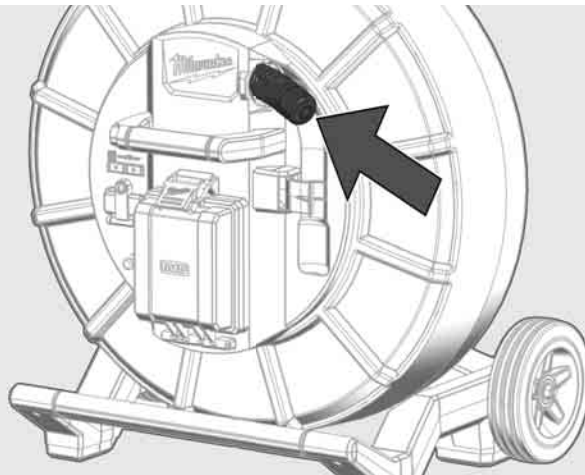
1



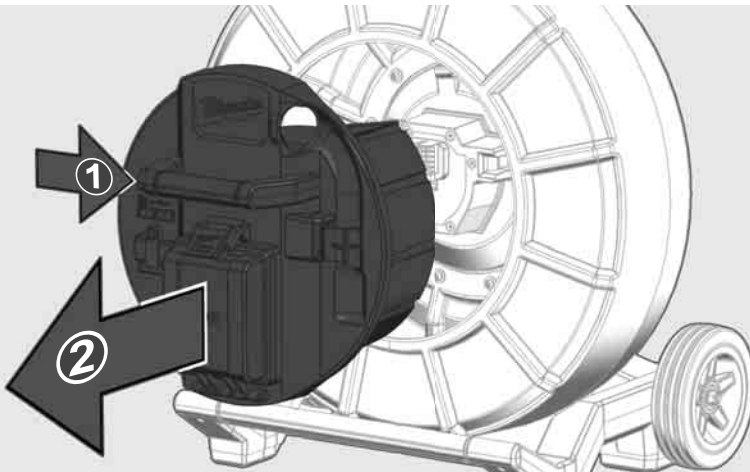
2

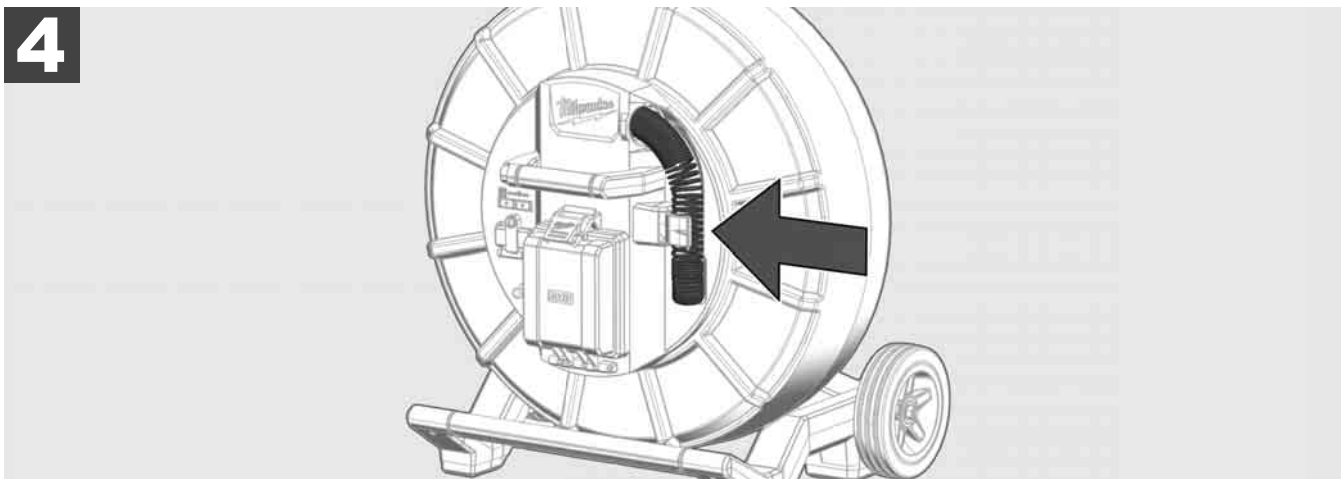
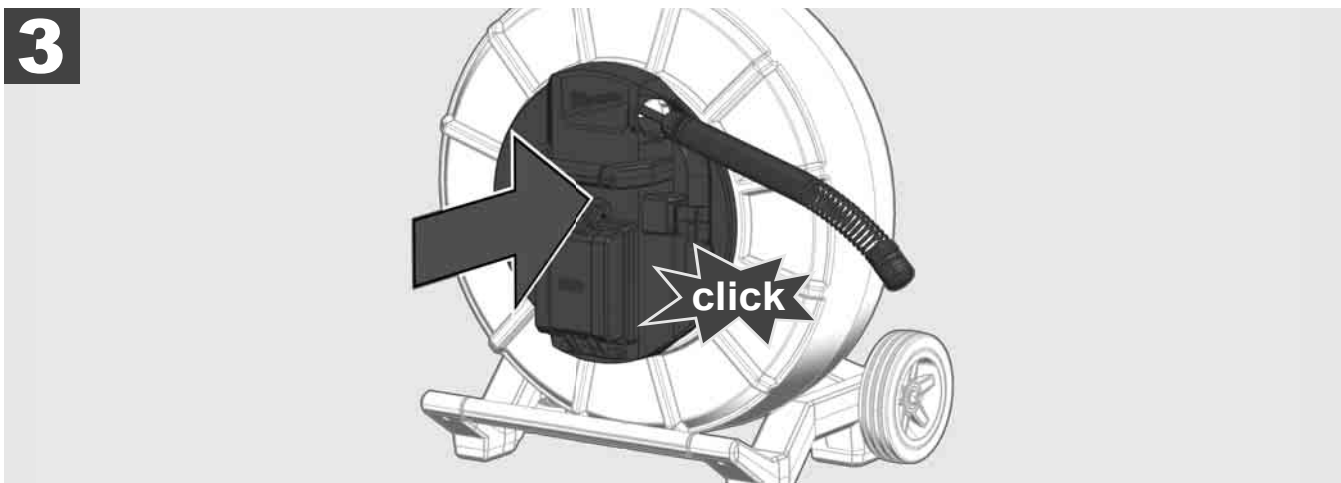
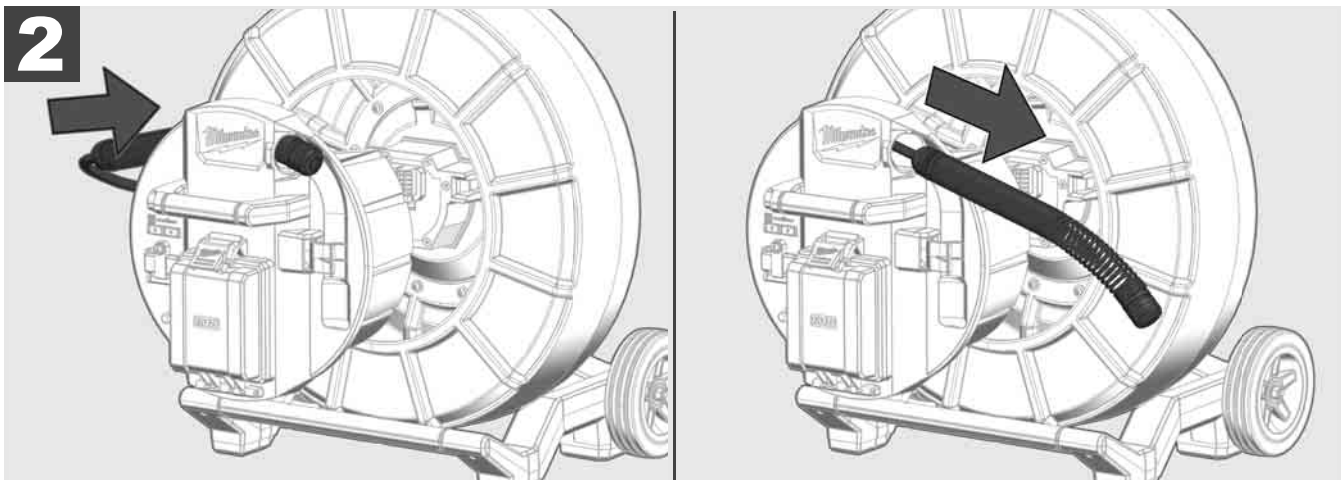
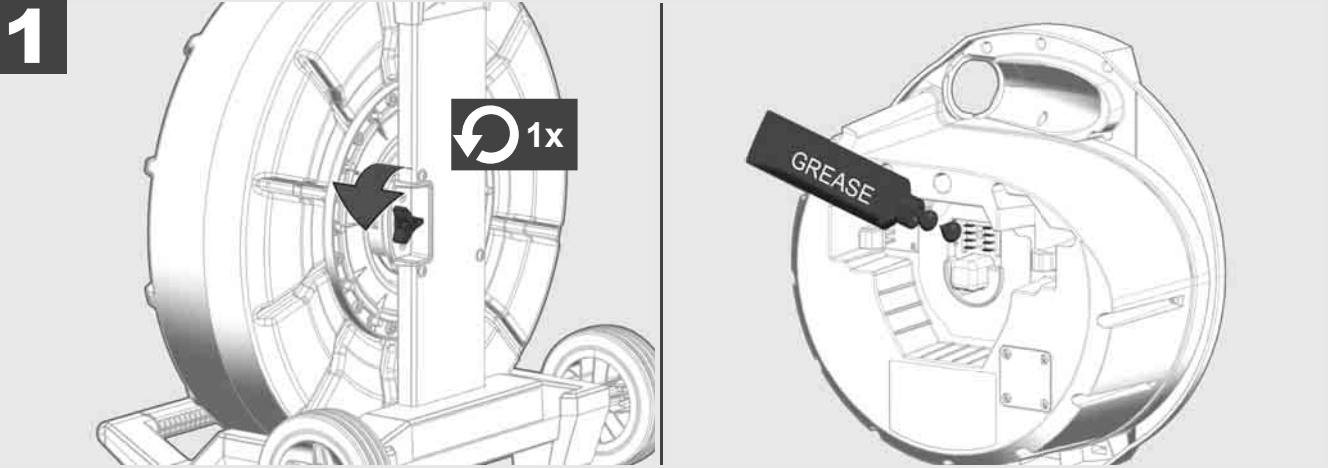


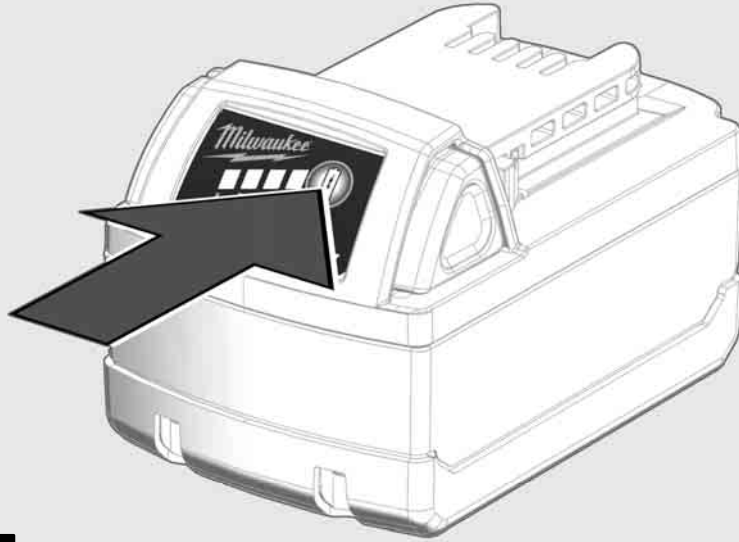
3



4







78-100 %



55-77 %



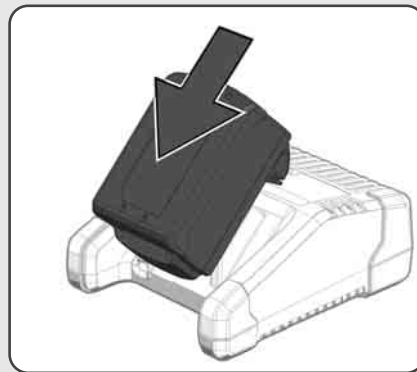
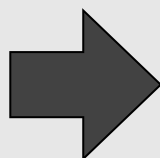
33-54 %

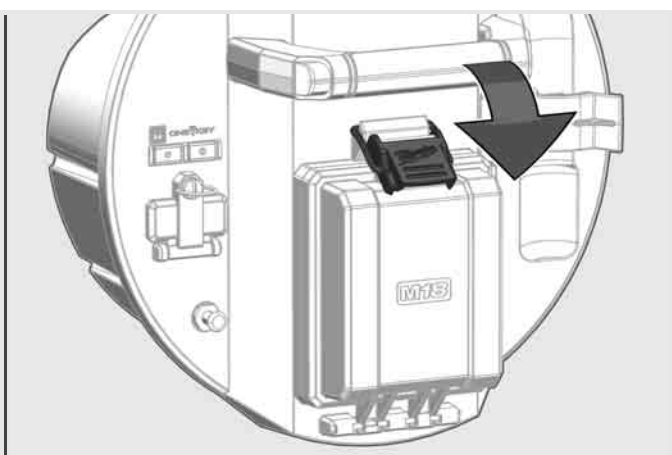
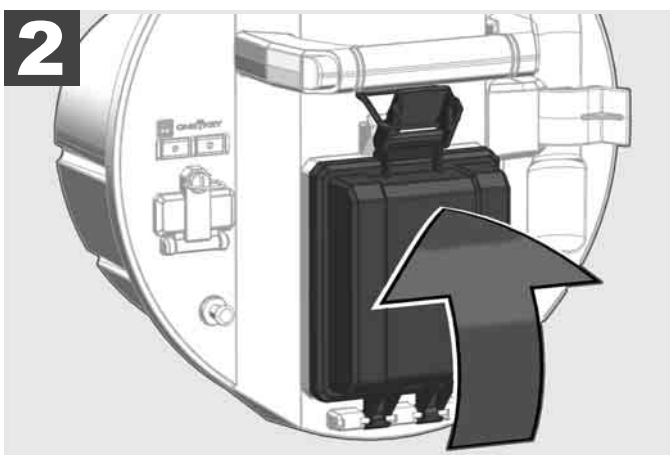
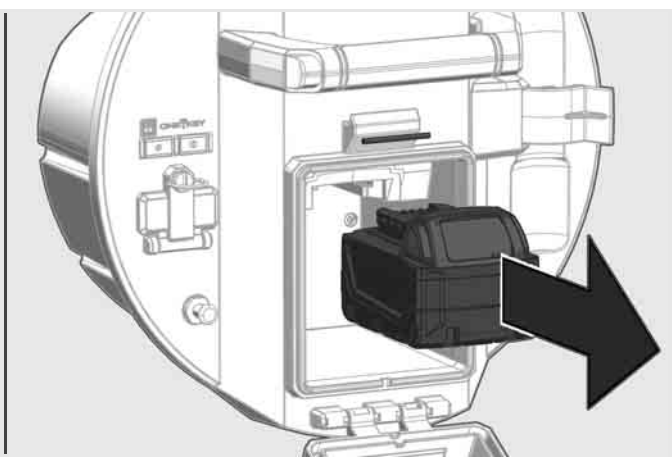
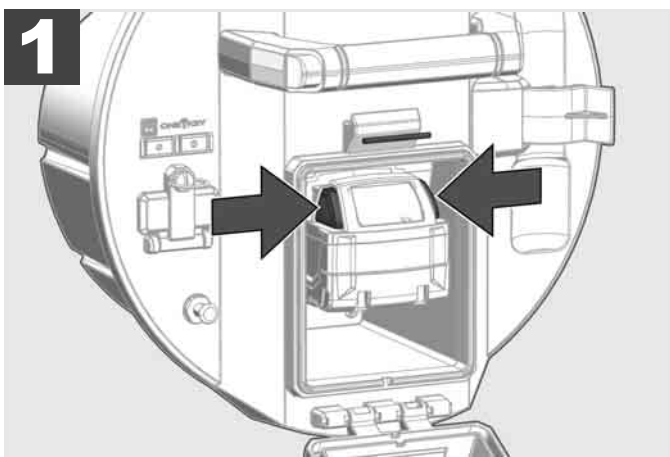
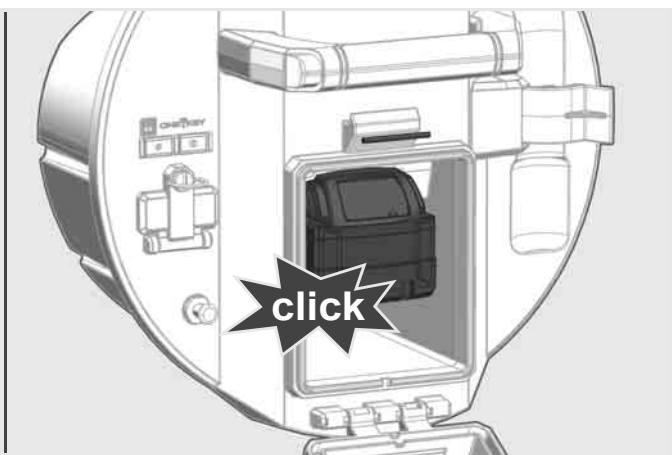
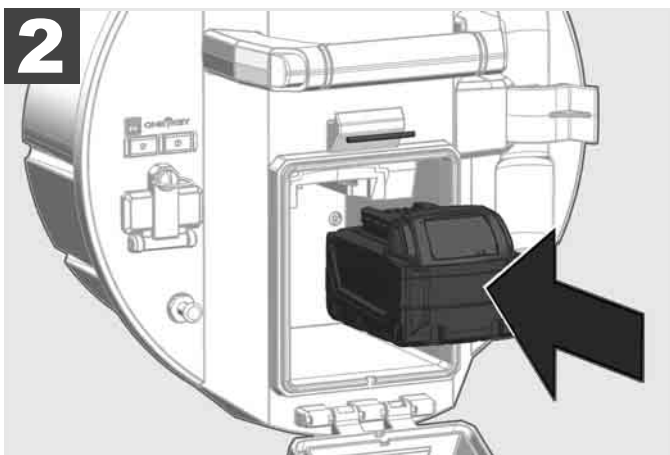
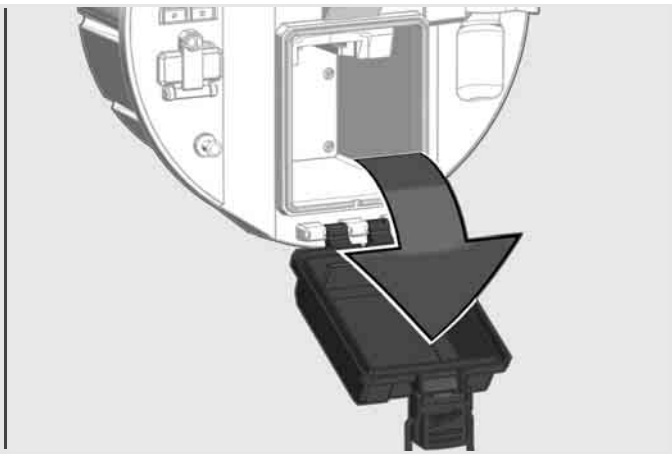
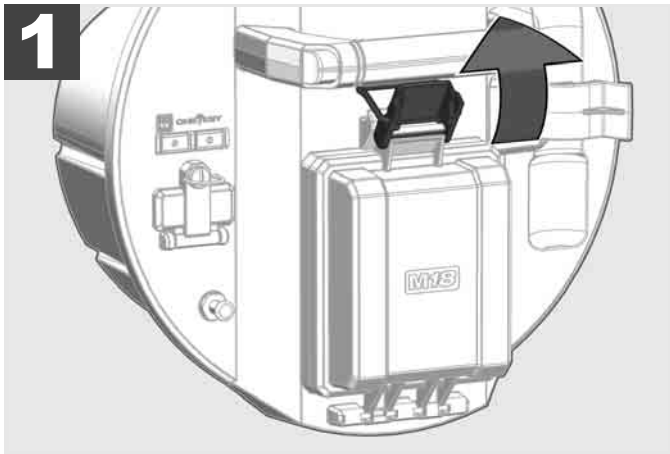


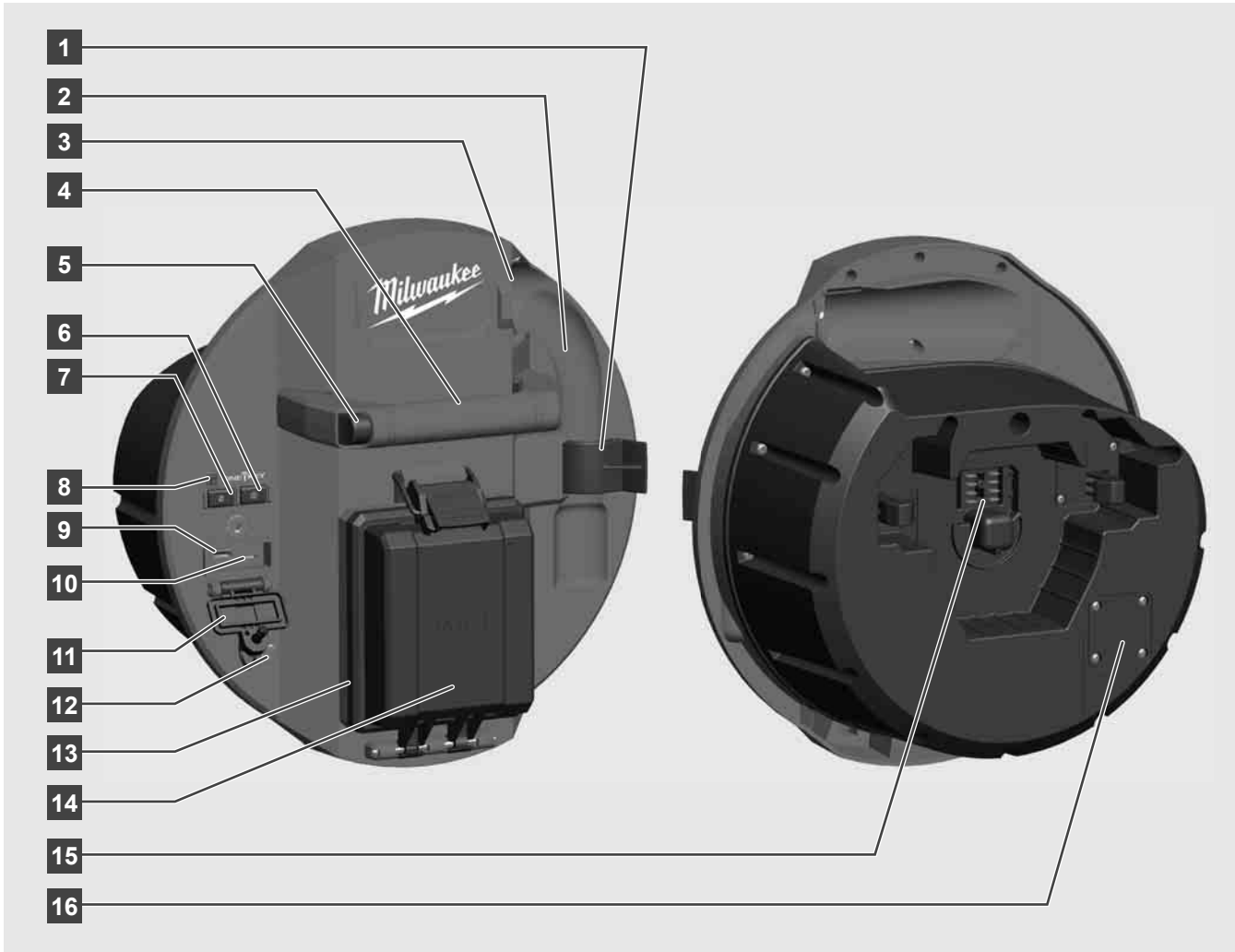
10-32 %



< 10 %







- 1 مشبك تأمين الحلزون - لتأمين الحلزون والكاميرا أثناء النقل.
- 2 استقبال الحلزون - يثبت الحلزون والكاميرا أثناء النقل ويحفظهما في المكان والموضع.
- 3 توجيه الكبل - قبل تعشيق الـ Smart Hub مرر الحلزون وكبل الدفع عبر الموجه.
- 4 المقبض
- 5 زر فك التعشيق - اضغط هذا الزر لفك الـ Smart Hub من بكرة فحص المواسير.
- 6 الزر الرئيسي - اضغط قصيراً لمرة واحدة، لكي تقوم بتشغيل الجهاز؛ أستمِر في الضغط، لكي تقوم بإيقاف الجهاز.
- 7 زر إعادة طول الكبل للوضع الأصلي - يضع طول الكبل الذي تم فكه على القيمة صفر.
- 8 إشارة ONE-KEY-LED
- 9 منفذ يو أس بي - أيه - للحفاظ المباشر لتسجيلات الفيديو والصور وكذلك من أجل تحديث البرامج الثابتة
- 10 منفذ يو أس بي - سي - وصلة إمداد وبيانات اختيارية لربط الشاشة اللاسلكية M18 SIM مع الـ Smart Hub.
- 11 غطاء منفذ يو أس بي - غطاء مانع لنفاذ الماء يحمي منافذ يو أس بي من الأتربة والرطوبة.
- 12 عصاة تأريض - لتأريض الـ Smart Hub عند متابعة كبل الدفع.
- 13 غطاء البطارية - غطاء مانع لنفاذ الماء يحمي البطارية من الأتربة والرطوبة.
- 14 علبة البطارية - لبطارية قابلة للشحن M18™
- 15 منفذ توصيل لربط الـ Smart Hub مع بكرة فحص المواسير.
- 16 منفذ اختبار الكاميرا - لإزالة الأخطاء في حالة وجود مشاكل مع رأس الكاميرا



	تنبيه! تحذير! خطر!
	قم بنزع البطارية قبل البدء في أي أعمال على الجهاز.
	يرجى قراءة التعليمات بعناية قبل بدء تشغيل الجهاز.
	ارتدي قفازات!
	ارتدي دائماً نظارات واقية عند العمل بالجهاز.
	يحظر التخلص من الأجهزة الكهربائية والبطاريات/البطاريات القابلة للشحن في القمامة المنزلية. يجب جمع الأجهزة الكهربائية والبطاريات القابلة للشحن منفصلة وتسليمها للتخلص منها بشكل لا يضر بالبيئة لدى شركة إعادة استغلال. الرجاء الاستفسار لدى الهيئات المحلية أو لدى التجار المتخصصين عن مواقع إعادة الاستغلال ومواقع الجمع.
	الجهد الكهربائي
	التيار المستمر
	علامة المطابقة الأوروبية
	علامة الملائمة البريطانية
	علامة التوافق الأوكرانية
	علامة التوافق الأوروبية الآسيوية

الإضاءة الزرقاء: الاتصال اللاسلكي في حالة نشاط ويمكن ضبطه عن طريق تطبيق الاستخدام **TM ONE-KEY**.  
 الوميض الأزرق: الجهاز يتواصل مع تطبيق الاستخدام **TM ONE-KEY**.  
 الوميض الأحمر: لأسباب السلامة تم تعطيل الجهاز ويمكن إزالة العطل من المستخدم عن طريق تطبيق الاستخدام **TM ONE-KEY**.

## 1.8 البطاريات

يجب إعادة شحن البطارية غير المستخدمة لفترة قبل الاستخدام.  
 تقلل درجات الحرارة التي تتجاوز 50° سيليزيوس من أداء البطارية. تجنب التعرض الزائد للحرارة أو أشعة الشمس (خطر التسخين)..  
 يجب الحفاظ على محتويات الشواحن و البطاريات نظيفة.  
 للحصول على فترة استخدام مثالية، يجب شحن البطاريات تماما، بعد الاستخدام.  
 للحصول على أطول عمر ممكن للبطارية، انزع البطارية من الشاحن بمجرد شحنها تماما.  
 لتخزين البطارية أكثر من 30 يوم:  
 خزن البطارية بحيث تكون درجة الحرارة أقل من 27° سيليزيوس وبعيدا عن أي رطوبة  
 خزن البطارية مشحونة بنسبة تتراوح بين 30%-50%  
 اشحن البطارية كالمعتاد، وذلك كل ستة أشهر من التخزين.

## 1.9 نقل بطاريات الليثيوم

تخضع بطاريات الليثيوم أيون لشروط قوانين نقل السلع الخطرة.  
 ويجب نقل هذه البطاريات وفقاً للأحكام والقوانين المحلية والوطنية والدولية.  
 • يمكن للمستخدم نقل البطاريات برأ دون الخضوع لشروط أخرى.  
 • يخضع النقل التجاري لبطاريات الليثيوم أيون عن طريق الغير إلى قوانين نقل السلع الخطرة. يتعين أن يقوم أفراد مدربون جيداً بالإعداد لعملية النقل والقيام بها بصحبة خبراء مثلهم.  
 متى تُنقل البطاريات:  
 • عند التأكد من حماية أطراف توصيل البطارية وعزلها تجنباً لحدوث قصر بالدائرة.  
 • عند التأكد من حماية حزمة البطارية من الحركة داخل صندوق التعبئة.  
 • يُرجى عدم نقل البطاريات التي بها تشققات أو تسربات.  
 يُرجى البحث مع شركة الشحن عن نصيحة أخرى

## 1.10 الصيانة

استخدم ملحقات **Milwaukee** وقطع الغيار التابعة لها فقط. إذا كانت المكونات التي يجب تغييرها غير مذكورة، يرجى الاتصال بأحد عملاء صيانة **Milwaukee** (انظر قائمة عناوين الضمان/الصيانة الخاصة بنا).  
 عند الحاجة يمكن طلب رمز انفجار الجهاز بعد ذكر طراز الجهاز والرقم السداسي المذكور على بطاقة طاقة الجهاز لدى جهة خدمة العملاء أو مباشرة لدى شركة **Techtronic Industries GmbH**  
 Max-Eyth-Straße 10  
 Winnenden 71364  
 ألمانيا

M18 SISH	M18 SIC60	M18 SIC36	
	60 m	36 m	طول كبل الكاميرا
	Ø 34 mm	Ø 25 mm	رأس الكاميرا
	4x	4x	أقصى تكبير
18V			جهد البطارية
5,37kg	20,46kg	12,4kg	الوزن وفقاً لنهج EPTA رقم 01/2014 (12 Ah)
2402-2480MHz			نطاق تردد البلوتوث (نطاقات التردد)
1,8dBm			قدرة للتردد العالي
signal mode 4.0BT			رقم إصدار - البلوتوث
-18 ..... +50 °C			درجة حرارة الجو المحيط المنصوح بها عند العمل
M18B.....; M18HB			طراز البطارية المنصوح به
M12-18C, M12-18AC, M12-18FC, M1418C6			أجهزة الشحن المنصوح بها

## 1.4 الاستخدام تبعاً للتعليمات

يخدم نظام فحص المواسير مشاهدة وفحص خطوط المواسير. يتكون النظام من ثلاثة أجزاء:

## - بكرة فحص المواسير M18 SIC36 أو M18 SIC60

تخدم بكرة فحص المواسير لف وفك وتوجيه كبل الدفع. تتوافر البكرات بحجمين: M18SIC36 للمواسير التي بقطر من 50 مم حتى 150 مم والطراز الأكبر M18SIC60 للمواسير التي بقطر من 75 مم حتى 250 مم تحتوي البكرتين على كبل للدفع مع مجموعة تركيب حلزونية تم تركيب رأس كاميرا ذاتي التعديل عليها. الشاشة اللاسلكية M18 SIM و Smart Hub M18 SISH يمكن استخدامها مع البكرتين. يمكن تركيب البكرتين على حد سواء في الوضع الرأسي أو الوضع الأفقي. عل ظهر M18 SIC36 يمكن تثبيت وسلة حمل، لكي يتم حمل الجهاز على الظهر.

## - Smart Hub M18 SISH

الغرض من الـ Smart Hub هو توجيه نظام فحص المواسير.

الشاشة اللاسلكية M18 SIM أو الكمبيوتر اللوحي المثبت عليه تطبيق Milwaukee® لفحص المواسير، يتصل بـ Smart Hub M18 SISH لكي يستقبل تسجيلات الفيديو والصور. سواء تسجيلات الفيديو أو الصور يجري تخزينها على محرك الأقراص الداخلي في الـ Smart Hub M18 SISH.

- الشاشة اللاسلكية M18 SIM (ليست ضمن التوريد؛ يمكن شرائها منفصلة) الشاشة اللاسلكية M18 SIM تنتج مشاهدة الفيديو الملتقط برأس الكاميرا، وتسجيل الفيديو والنقاط الصور وكذلك عرض ملفات الفيديو وملفات الصور. أثناء تسجيل الفيديو يمكن تسجيل تعليقات صوتية عبر الميكروفون الداخلي. عن طريق وظيفة "وضع علامات" يمكن أيضاً إضافة تعليقات نصية. تظهر التعليقات النصية في الفيديو المسجل وتظهر مع التاريخ والوقت وطول الكبل الذي تم فكه على الصور.

لا تستخدم هذا المنتج بأي طريقة أخرى غير مصرح بها للاستخدام العادي.

## 1.5 متطلبات التردد اللاسلكي فيما يتعلق بالتثبيت الأوروبي

إرشاد: هذا الجهاز تم اختباره وهو يلتزم بالقيم المحددة لمستقبل من الفئة 3 تبعاً للمعايير الأوروبية EN 300 440 V2.1.1.

هذه القيم الحدودية ينبغي أن توفر حماية مناسبة ضد التشويش اللاسلكي الفني في المباني السكنية.

هذا الجهاز يصدر رد فعل على الأجهزة الأخرى التي ترسل موجات لاسلكية في مجال تردد من 2402 حتى 2480 ميغاهرتز. من خلال ذلك قد يحدث تشويش عند استخدام التحكم عن بعد. ليس من الممكن استبعاد، أن تظهر تشويشات في ظروف معينة. للتحقق من أن هذا الجهاز يجري التشويش عليه من خلال إشارات لا سلكية تصدر من أجهزة أخرى، قم بإيقاف الأجهزة الأخرى لفترة قصيرة، لكي تتحقق، عما إذا كان التشويش قد يختفي. الإجراءات التالية يمكن أن تساعد على إزالة التشويش:

- إيقاف عمل مصدر التشويش.

- زيادة البعد عن مصدر التشويش.

- استشارة تاجر متخصص أو فني لا سلكي مؤهل.

## 1.6 إقرار المطابقة وفقاً للوائح الاتحاد الأوروبي

بموجب هذا تقرر شركة Techtronic Industries GmbH، أن الآلة التي تعمل لا سلكياً من طراز M18SISH تتطابق المعايير الأوروبية EU/2014/53 أما النص الكامل لإقرار التوافق مع المعايير الأوروبية فيمكن مشاهدته في الإنترنت تحت عنوان <http://services.milwaukeetool.eu>

## 1.7™ ONE-KEY

لمعرفة المزيد عن وظائف ONE-KEY الخاصة بهذا الجهاز، إقرأ دليل الاستخدام السريع المرفق أو قم بزيارتنا على الإنترنت تحت عنوان [www.milwaukeetool.com/one-key](http://www.milwaukeetool.com/one-key). يمكنك تنزيل التطبيق ONE-KEY على هاتفك الذكي عن طريق متجر التطبيقات آب ستور أو جوجل بلاي.

إذا حدث تفريغ إلكتروستاتيكي، سوف ينقطع اتصال البلوتوث. في هذه الحالة قم بإجراء الاتصال مرة أخرى يدوياً. الجهاز يطابق أقل المتطلبات تبعاً للمعايير

.EN 55014-2:2015 / EN 301489-1 V2.2.3 / EN 301489-17 V3.1.1

## 1.1 تعليمات سلامة خاصة لنظام فحص المواسير

عند العمل في الأنابيب تأكد أنها غير مكهربة أو مشحونة بالكهرباء. يجب ألا تحتوي الأنابيب على أي سائل. يجب ألا تتلامس الكاميرا والجهاز مع السائل. يجب ألا تلامس الكاميرا والكبل الزيت أو البنزين أو المواد الأخرى التي يمكن أن تسبب تآكل. للإقلال من أخطار الانفجار والصعقات الكهربائية والأضرار، قم بفحص موضع العمل دائماً قبل بدأ العمل. يحظر ملامسة السلك للأجزاء الكهربائية والكيماويات أو الأجزاء المتحركة. للإقلال من مخاطر الإضرار بالجهاز، لا تستخدم قوة أكثر من اللازم ولا تقوم بثني السلك. لا تستخدم الكامير والكبل في المجالات التي تتلامس فيها مع المركبات الحارقة أو الشحمية.

لا تستخدم الكبل للتخلص من الإنسدادات أو الموقفات. فهو ليس جهاز تنظيف مواسير!

إذا كان من المحتمل أن ماسورة الصرف التي يجب تنظيفها تحتوي على مواد كيماوية أو بكتريا أو أي مركبات سمية أخرى أو جراثيم مسببة للعدوى، فيتعين عليك استخدام قفازات الوقاية المنصوح بها من الشركة المنتجة من اللاتكس أو الكورتشوك وكذلك نظارة واقية وواقي للوجه وملابس واقية وقناع واقي للتنفس. قد تحتوي خطوط المواسير على كيماويات أو بكتريا أو مركبات أخرى تكون سمية أو مسببة للعدوى وقد تؤدي إلى حروق كيماوية أو إصابات أخرى حادة.

الرجاء مراعاة تعليمات النظافة. يحظر تناول الطعام والتدخين أثناء استخدام الجهاز. بعد التعامل H، مع نظام فحص المواسير أو استخدامه يجب غسل اليدين وأي أعضاء أخرى في الجسم حدث لها تلامس مع محتوى المواسير بالماء الساخن والصابون. بهذا تتجنب المخاطر الصحية التي تنجم عن ملامسة المواد السامة أو المسببة للعدوى.

قم بفحص الكبل قبل الاستعمال عما إذا كان به آثار تهاك وأضرار. قم باستبدال السلك المتهاك أو الذي به ضرر قبل استخدام الجهاز.

تحذير! يرجى الحذر عند نقل نظام فحص المواسير بمساعدة وسيلة الحمل على الظهر. من الممكن أن تفقد التوازن.

استخدم الجهاز دائماً بحكمة وبحذر. ليس من الممكن التنبأ بجميع مواقف الخطر. لا تستخدم هذا الجهاز، إذا كنت لا تفهم تعليمات الاستخدام المرفقة أو شعرت بأن العمل يتطلب أكثر مما تستطيع. لمزيد من المعلومات أو للتدريب يرجى التوجه إلى Milwaukee أو أخصائي مؤهل.

يحظر نزع لافتة الطراز والبطاقة الملصقة. هذه البطاقات تتضمن معلومات هامة. إذا أصبحت هذه البطاقات غير مقروءة أو غير متوافرة يرجى التوجه إلى خدمة العملاء بشركة MILWAUKEE للحصول على بديل مجاني.

قد يحتوي الغبار الناجم أحياناً عن آلات التجليخ والنشر والتقب أو أي أعمال بناء أخرى على مركبات كيماوية قد تؤدي إلى الإصابة بالسرطان أو إلى أضرار بالمواليد أو القدرة على الإنجاب. أمثلة على هذا النوع من المركبات الكيماوية هي:

- الرصاص من الوان الطلاء التي على أساس الرصاص،

- ثنائي أكسيد السليكون البلوري من أحجار الطوب الأحمر، الأسمنت أو منتجات البناء الأخرى وكذلك

- الزرنيخ أو الكروم من أخشاب البناء المعالجة كيماوياً.

يتوقف خطر التعرض على مدى تكرار إجراء هذا النوع من العمل. للحد من خطر التعرض بقدر الإمكان، يتعين العمل دائماً في الأماكن الجيدة التهوية. ارتدي الأدوات الوقائية المصرح بها رسمياً، مثل قناع الوقاية من الغبار وفلتر للجزيئات الدقيقة.

## 1.2 إرشادات أمان وعمل إضافية

لا تستبدل البطارية، إذا كان سطح الأداة مبتلاً.

لا تتخلص من البطاريات المستعملة مع النفايات المنزلية أو بحرقها. يقدم موزعو Milwaukee خدمة استعادة البطاريات القديمة لحماية البيئة.

لا تقم بتخزين البطارية مع الأشياء المعدنية (خطر قصر الدائرة)..

استخدم فقط أجهزة شحن نظام M18 لشحن بطاريات النظام M18. لا تستخدم بطاريات من أنظمة أخرى.

قد يتسرب حامض البطارية من البطاريات التالفة في ظروف التحميل الزائد بدرجة كبيرة أو في درجات الحرارة الشديدة. في حالة ملامسة حامض البطارية اغسل فوراً بالماء والصابون. في حالة ملامسة السائل للعينين اشطفهما جيداً لمدة 10 دقائق على الأقل وتوجه إلى الطبيب على الفور

**تحذير!** لتجنب أخطار الحريق أو الإصابة أو الإضرار بالمنتج التي تنجم عن الماس الكهربائي، لا تغمر الأداة أو البطارية القابلة للاستبدال أو جهاز الشحن في السوائل وأحرص على أن لا تصل السوائل إلى داخل الجهاز والبطارية. السوائل المؤدية للتآكل أو الموصلة للتيار الكهربائي، مثل الماء المالح ومركبات كيماوية معينة ومواد التبييض أو المنتجات التي تشتمل على مواد تبييض، يمكن أن تؤدي إلى حدوث ماس كهربائي.

هذا الجهاز غير مَعَد للاستخدام أو التنظيف من قِبل الأشخاص ذوي القدرات البدنية أو الحسية أو العقلية المحدودة، أو الأشخاص الذين تنقصهم الخبرة والمعرفة إلا بعد إعطائهم تعليمات تتعلق بالاستخدام الآمن للجهاز من قِبل شخص يتمتع بأهلية قانونية وذلك لسلامتهم. وينبغي الإشراف عليهم أثناء استخدام الجهاز. يتعين ألا يستخدم الأطفال هذا الجهاز أو يقومون بتنظيفه أو اللعب به، حيث يجب إبقاؤه بعيداً عن متناول أيديهم عند عدم الاستخدام.

1	الخدمة والدعم الفني	1.1
2	مجريات توجيه الكاميرا	1.2
3	أغطية حماية الكاميرا	1.3
4	مجموعة الحلزون	1.4
5	مجموعة تركيب رأس الكاميرا	1.5
6	استخدام بكرة فحص المواسير	1.6
7	إعداد الشاشة اللاسلكية M18 SIM	1.7
8	تركيب الشاشة اللاسلكية M18 SIM	1.8
9	نزع وسيلة الحمل	1.9
10	تركيب وسيلة الحمل	1.10
11	نظرة عامة على بكرة فحص المواسير M18 SIC60	1.11
12	بكرة فحص المواسير	1
12	نظرة عامة على بكرة فحص المواسير M18 SIC36	1.1
14	تحديث النظام	1.2
15	إعدادات المصنع	1.3
16	تهيئة محرك الأقراص الداخلي وفلاشة يو أس بي	1.4
17	منفذ توصيل اختبار الكاميرا	1.5
18	إعادة إعداد الأطوال إلى الوضع الأصلي	1.6
19	عصاة التأريض	1.7
20	منافذ يو أس بي	1.8
21	توصيل الشاشة	1.9
22	زر التشغيل/الإيقاف	1.10
23	نزع Smart Hub M18 SISH	1.11
24	تركيب Smart Hub M18 SISH	1.12
25	اختبار حالة شحن البطارية	1.13
26	تركيب ونزع البطارية	1.14
27	Smart Hub M18 SISH	2
27	نظرة عامة على Smart Hub M18 SISH	2.1
29	البطاريات	2.2
29	نقل بطاريات الليثيوم	2.3
29	الصيانة	2.4
	الرموز 29	2.5
30	البيانات الفنية	2.6
30	الاستخدام تبعاً للتعليمات	2.7
30	متطلبات التردد اللاسلكي فيما يتعلق بالثبوت الأوربي	2.8
30	إقرار المطابقة وفقاً للوائح الاتحاد الأوربي	2.9
30	TM ONE-KEY	2.10
31	إرشادات عامة	3
31	تعليمات سلامة خاصة لنظام فحص المواسير	3.1
31	إرشادات أمان وعمل إضافية	3.2