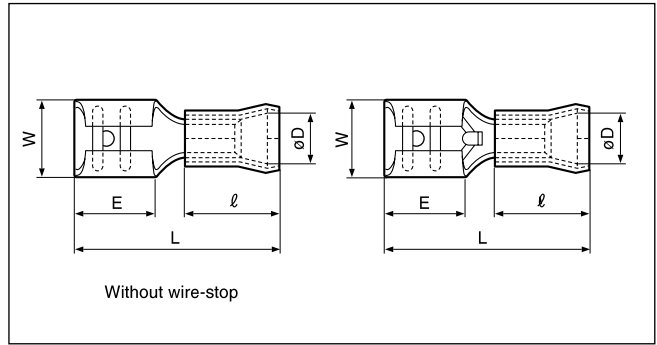
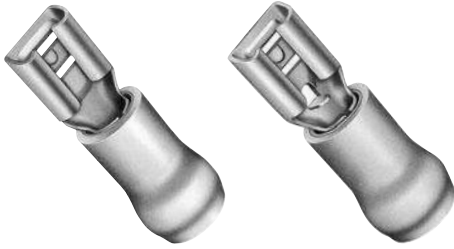
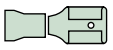


Solderless terminals



QUICK DISCONNECT Female, Vinyl-insulated with copper sleeve



Certificate No.: E70188 LR20812

| | Applicable Wire AWG#(mm ²) | Part No. | Standard | Dimensions mm (in.) | | | | | | | Color | Tool No. | | | | | | | Qty/box | | | |
|-------------------------|---|-------------------------|------------------|---------------------|-------------|-------------|-------------|------------|-----------------------|-------------------------|--------|------------|----------|----------|-----------|------|------|-------|---------|----------|---|-------|
| | | | | W | L | E | ø D | ℓ | Material Thickness | Mating Tab Thickness | | YNT-2622 | YNT-2216 | YNT-1614 | YNT-1210S | YA-1 | YA-2 | YA-4 | | BCT-0514 | | |
| 110 | 26 to 22 (0.2 to 0.5) | FVDDF0.5 -110A-5 * | (Note 2) | 3.7 (.146) | 16.4 (.646) | 6.4 (.252) | 2.2 (.087) | 8.0 (.315) | 0.25(.010) | 0.5 (.020) | Yellow | o | | | | o | o | o | o | 1,000 | | |
| | | FVDDF0.5 -110A-8 * | | 3.7 (.146) | 16.4 (.646) | 6.4 (.252) | 2.2 (.087) | 8.0 (.315) | 0.25(.010) | 0.8 (.031) | | | | | | | | | | | | |
| 187 | 22 to 16 (0.25 to 1.65) | FVDDF1.25-110A-5 | | 3.7 (.146) | 17.9 (.705) | 6.4 (.252) | 3.5 (.138) | 9.5 (.374) | 0.25(.010) | 0.5 (.020) | Red | | | | | o | o | o | o | 1,000 | | |
| | | FVDDF1.25-110A-8 | | 3.7 (.146) | 17.9 (.705) | 6.4 (.252) | 3.5 (.138) | 9.5 (.374) | 0.25(.010) | 0.8 (.031) | | | o | | | | | | | | | |
| | | FVDDF1.25-187A-5 | | 5.7 (.224) | 18.7 (.736) | 6.0 (.236) | 3.5 (.138) | 9.5 (.374) | 0.35(.014) | 0.5 (.020) | | | | | | | | | | | | |
| | | FVDDF1.25-187A-8 | | 5.7 (.224) | 18.7 (.736) | 6.0 (.236) | 3.5 (.138) | 9.5 (.374) | 0.35(.014) | 0.8 (.031) | | | | | | | | | | | | |
| 205 | 16 to 14 (1.04 to 2.63) | FVDDF2 -187A-5 | | 5.7 (.224) | 18.7 (.736) | 6.0 (.236) | 4.3 (.169) | 9.5 (.374) | 0.35(.014) | 0.5 (.020) | Blue | | | o | | o | o | o | o | 1,000 | | |
| | | FVDDF2 -187A-8 | | 5.7 (.224) | 18.7 (.736) | 6.0 (.236) | 4.3 (.169) | 9.5 (.374) | 0.35(.014) | 0.8 (.031) | | | | | | | | | | | | |
| 250 | 22 to 16 (0.25 to 1.65) | FVDDF1.25-205A-5 * | | 6.3 (.248) | 18.7 (.736) | 6.4 (.252) | 3.5 (.138) | 9.5 (.374) | 0.4 (.016) | 0.5 (.020) | Red | o | | | | o | o | o | o | 1,000 | | |
| | | FVDDF1.25-205A-8 * | | 6.3 (.248) | 18.7 (.736) | 6.4 (.252) | 3.5 (.138) | 9.5 (.374) | 0.4 (.016) | 0.8 (.031) | | | | | | | | | | | | |
| 375 | 16 to 14 (1.04 to 2.63) | FVDDF2 -205A-5 * | | 6.3 (.248) | 18.7 (.736) | 6.4 (.252) | 4.3 (.169) | 9.5 (.374) | 0.4 (.016) | 0.5 (.020) | Blue | | | o | | o | o | o | o | 1,000 | | |
| | | FVDDF2 -205A-8 * | | 6.3 (.248) | 18.7 (.736) | 6.4 (.252) | 4.3 (.169) | 9.5 (.374) | 0.4 (.016) | 0.8 (.031) | | | | | | | | | | | | |
| | 22 to 16 (0.25 to 1.65) | FVDDF1.25-250A | | 7.4 (.291) | 20.5 (.807) | 7.8 (.307) | 3.5 (.138) | 9.5 (.374) | 0.4 (.016) | 0.8 (.031) | Red | o | | | | o | o | o | o | 1,000 | | |
| | | 16 to 14 (1.04 to 2.63) | | FVDDF2 -250A | 7.4 (.291) | 20.5 (.807) | 7.8 (.307) | 4.3 (.169) | 9.5 (.374) | 0.4 (.016) | | 0.8 (.031) | Blue | | o | | | o | o | o | o | 1,000 |
| | | 12 to 10 (2.63 to 6.64) | | FVDDF5.5 -250A | 7.4 (.291) | 24.5 (.965) | 7.8 (.307) | 6.2 (.244) | 13.5 (.531) | 0.4 (.016) | | 0.8 (.031) | Yellow | | | o | | | | | | 500 |
| | | 22 to 16 (0.25 to 1.65) | | FVDDF1.25-250B * | 7.6 (.299) | 20.5 (.807) | 8.0 (.315) | 3.5 (.138) | 9.5 (.374) | 0.45(.018) | | 0.8 (.031) | Red | o | | | | o | o | o | o | 1,000 |
| 16 to 14 (1.04 to 2.63) | FVDDF2 -250B * | 7.6 (.299) | 20.5 (.807) | 8.0 (.315) | 4.3 (.169) | 9.5 (.374) | 0.45(.018) | 0.8 (.031) | Blue | | | o | | o | o | o | o | 1,000 | | | | |
| 12 to 10 (2.63 to 6.64) | FVDDF5.5 -250B * | 7.6 (.299) | 24.5 (.965) | 8.0 (.315) | 6.2 (.244) | 13.5 (.531) | 0.45(.018) | 0.8 (.031) | Yellow | | | o | | | | | | | 500 | | | |
| 375 | 16 to 14 (1.04 to 2.63) | FVDDF2 -375A * | | 11.0 (.433) | 25.2 (.992) | 12.0 (.472) | 4.3 (.169) | 9.5 (.374) | 0.5 (.020) | 1.1 (.043) | Blue | | | o | | o | o | o | o | 500 | | |
| | | 12 to 10 (2.63 to 6.64) | FVDDF5.5 -375A * | | 11.0 (.433) | 29.2(1.150) | 12.0 (.472) | 6.2 (.244) | 13.5 (.531) | 0.5 (.020) | | 1.1 (.043) | Yellow | | | o | | | | | | 250 |

Note:1) Products marked with * are without wire-stop.
 2) It's applicable only AWG#22 for UL,CSA.
 3) Delivery lead times may vary depending on the product. Contact JST for details.