


Part number

# CX 01 YPEF



## Brief description:

female insert, 1 pole PE, crimp connections, 200A V, 200A female crimp contacts, 2 modules, modular units series MIXO

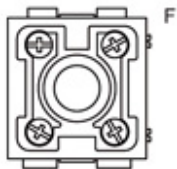
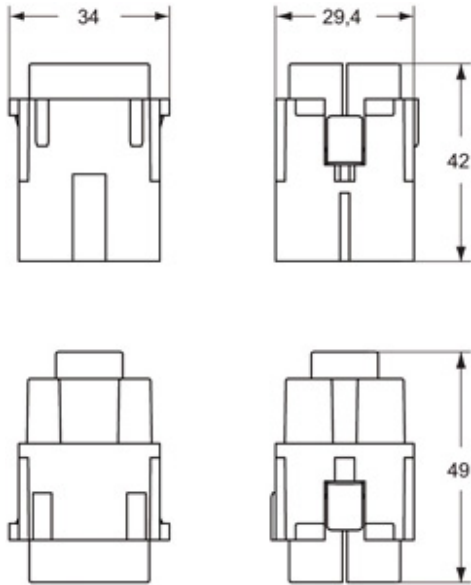
Product description		Approvals / Standards	
Model	female insert	Quality mark	 , DNV GL, BV, EAC
Version	Crimp connection	Conformity	CQC, CE
Product type	200A female crimp contacts	General ordering information	
Style	PE module for earth termination	EAN13 code	8015747168076
Family	MIXO series, customizable inserts	Tariff number	85369095
Size	2 modules	Packaging Information	
N. of poles	1 pole PE	Packaging length	112,00 mm
Technical data		Packaging height	95,00 mm
Current	200 A (A.C. and D.C.)	Packaging width	117,00 mm
Operating temperature range (min, max)	-40°C ... +125°C	Packaging weight	0,19 kg
IP degree of protection	IP20 without enclosure, IP65/IP66/IP68/IP69 with enclosure	Packaging volume	1,24 dm <sup>3</sup>
Further technical details		Packaging description	Carton box
Insulation resistance	≥ 10 GΩ	Packaging quantity	5 Pcs
Rated voltage according to UL/CSA	600V	Packaging EAN code	8015747168403
UL 94 flammability rating	V-0	Sub-packaging weight	0,04 kg
Weight	39,00 g	Sub-packaging description	Plastic bag
		Sub-packaging quantity	1 Pcs
		Sub-packaging EAN barcode	8015747168410

Part number

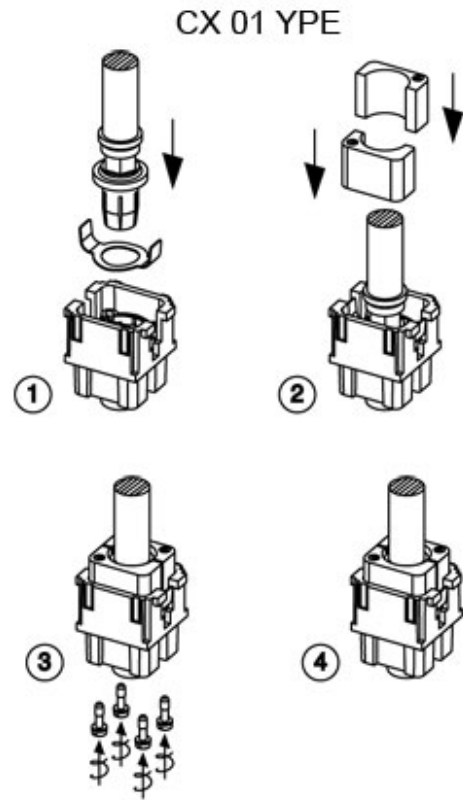
# CX 01 YPEF



Catalogue drawings



Catalogue drawings



## Notes

- ambient temperature limit: -40 °C ... +125 °C
- are made of self-extinguishing thermoplastic resin UL 94 V0

the modular inserts must be installed in suitable frames which in turn are installed in traditional housings or COB panel support