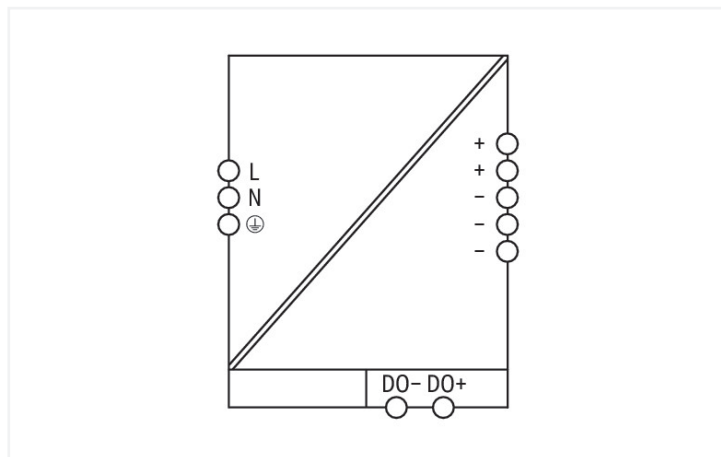


Data Sheet | Item Number: 2687-2144

Power supply; Eco 2; 1-phase; 24 VDC output voltage; 5 A output current; DC OK contact

<https://www.wago.com/2687-2144>



Features:

- Signal output, optical status indication
- Suitable for both parallel and series operation
- Natural convection cooling when horizontally mounted
- Connection technology with push-in termination and tool-free lever operation
- Electrically isolated output voltage (SELV/PELV) per EN 61010/UL 61010
- Marker slot (2789-1233, not included) for WAGO marking cards (WMB) and WAGO marking strips

Technical data

Input		Output	
Phases	1	Nominal output voltage $U_{o, nom}$	DC 24 V (SELV)
Nominal input voltage $U_{i, nom}$	1 x AC 100 ... 240 V	Output voltage range	DC 23 ... 28 V (adjustable)
Input voltage range	1 x AC 90 ... 264 V	Default setting	DC 24 V
Nominal mains frequency range	50 ... 60 Hz; 0 Hz	Nominal output current $I_{o, nom}$	5 A (24 VDC)
Input current I_i	≤ 0.8 A (230 VAC; nominal load); ≤ 1.5 A (100 VAC; nominal load)	Nominal output power	120 W
Inrush current	≤ 20 A (after 1 ms)	Deviation	≤ 1 %
Power factor correction (PFC)	active	Residual ripple	≤ 75 mV (peak-to-peak)
Mains failure hold-up time	≥ 20 ms (230 VAC)	Overload behavior	Constant current up to 125 %; shutdown and automatic restart in the event of a short circuit

Signaling and communication		Efficiency/power losses	
Signaling	Optical status indication (overload) Optical status indication (DC OK) Digital signal output (DO)	Power loss P_i	≤ 3 W; ≤ 12 W (nominal load)
		Efficiency (typ.)	90 %

Circuit protection	
Internal fuse	T 3.15 A / 250 VAC
Backup fusing (recommended)	16 A (for USA/Canada: 15 A)

Safety and protection	
Isolation voltage (pri.-sec., AC)	3510 V
Isolation voltage (pri.-PE, AC)	2200 V
Isolation voltage (sec.-PE)	DC 0.5 kV
Isolation voltage (sec.-signal)	DC 0.5 kV
Protection class	I
Protection type	IP20; per EN 60529
Overvoltage category	III (≤ 2000 m a.s.l.); II (> 2000 m a.s.l.)
Pollution degree	2
Short-circuit-protected	Yes
Open-circuit-proof	Yes
Parallel operation	Yes
Series operation	No
MTBF	$> 1,000,000$ h (per IEC 61709)

Connection data	
Connection type 1	Input/output/signaling
Connection technology	Push-in CAGE CLAMP®
Solid conductor	0.2 ... 4 mm ² / 24 ... 12 AWG
Fine-stranded conductor	0.2 ... 4 mm ² / 24 ... 12 AWG

Physical data	
Width	38 mm / 1.496 inches
Height	130 mm / 5.118 inches
Depth from upper-edge of DIN-rail	130 mm / 5.118 inches

Mechanical data

Mounting type	DIN-35 rail
---------------	-------------

Material data

Fire load	0 MJ
Weight	620 g

Environmental requirements

Ambient temperature (operation)	-25 ... +70 °C (Device starts at -40 °C (type-tested))
Ambient temperature (storage)	-40 ... +85 °C
Relative humidity	5 ... 96 % (no condensation permissible)
Derating	See type label
Operating altitude (max.)	5000 m

Standards and specifications

Conformity marking	CE
Standards/specifications	EN 61010-1 EN 61010-2-201 EN 61204-3 UL 61010-1 UL 61010-2-201

Commercial data

ETIM 8.0	EC002540
ETIM 7.0	EC002540
PU (SPU)	1 pcs
Country of origin	CN
GTIN	4066966207439
Customs tariff number	85044083900

Approvals / Certificates

General approvals



Approval	Standard	Certificate Name
UL Underwriters Laboratories Inc.	UL 61010-2-201	UL-US-2218925-0_UL- CA-2218432-0

Approvals for hazardous areas



Approval	Standard	Certificate Name
UL Underwriters Laboratories Inc. (HAZARDOUS LOCA- TIONS)	UL 121201	E198726

Downloads

Environmental Product Compliance

Compliance Search

Environmental Product
Compliance 2687-2144



Documentation

Manual

Power supply; Eco 2; 1-phase; 24 VDC output voltage; 5 A output current	V 1.0.0 19.12.2022	pdf 4207.46 KB	
---	-----------------------	-------------------	--

Bid Text

2687-2144	xml 7.26 KB	
2687-2144	docx 29.77 KB	

Instruction Leaflet

Power supply; Eco 2	V 1.3.0 08.11.2022	pdf 2307.76 KB	
---------------------	-----------------------	-------------------	--

CAD/CAE-Data

CAD data

2D/3D Models 2687-2144	
---------------------------	--

1 Compatible Products

1.1 Optional Accessories

1.1.1 Marking

1.1.1.1 Marker carrier



Item No.: 2789-1233

Marker carrier; for WMB or marking strips;
Length: 33 mm