

Recessing system cutter holder, modular radial right

for cutting, grooving and copying using AD, AE cutting inserts

ATORN

Application

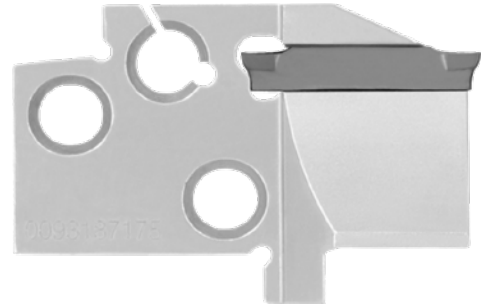
For cutting, grooving and copy turning externally.

Version

- Precision-manufactured steel support, nickel-plated and hardened with clamping element

Advantage

- High-quality and wear-resistant steel support with high-strength clamping element
- precisely manufactured insert setting



| | |
|---------------------------------|------------------|
| Art. no. | 17673 748 |
| Suitable for knife width | 3 mm |
| Shank width | 25 mm |
| Shaft height | 25 mm |
| Tool design | Left |

EAN-Code

4050293732177

