

## Quick-change insert

Without safety coupling

**ORION**<sup>®</sup>

### Application:

For quickly changing screw taps without having to use a wrench.

### Execution:

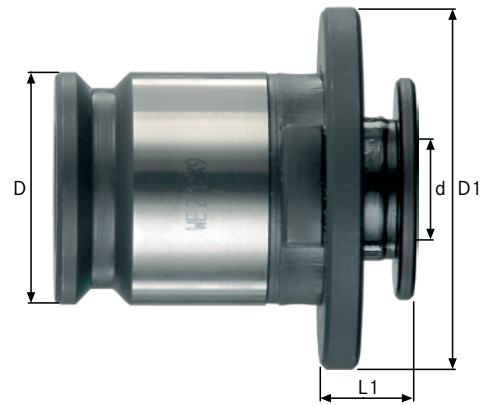
- Precision quick-change insert.

### Advantage:

- Increased tool service life.

### Delivery:

1x quick-change insert without safety clutch.



<b>Art. no.</b>	<b>21565 140</b>
<b>Brand</b>	ORION
<b>Manufacturer Part Number</b>	21565140
<b>Shank diameter</b>	8 mm
<b>Square shank on screw tap</b>	6.2
<b>Outer diameter</b>	30 mm
<b>Collar width</b>	7 mm
<b>Diameter</b>	19 mm
<b>Gross Weight</b>	0.134 kg
<b>Product Group</b>	295

### EAN

4039247543915