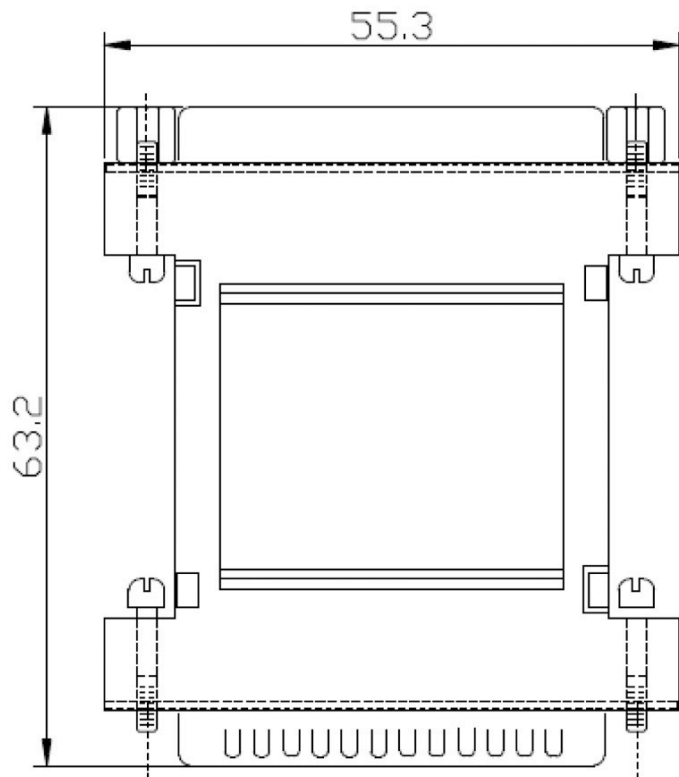


No.	Changes and/or Note No.	Date	Intr.	No.	Changes and/or Note No.	Date	Intr.



SPECIFICATION

MATERIAL

WIRE :PVC WIRE COMPOUND UL1007

Insulator: P.B.T & Glass fill reinforced UL94V-0

Contacts: Brass(standard);Phosphor Bronze(choose)

Shell: **ABS UL94HB Finished Metalized**

Rivet,Boardlock: Brass

CONTACT PLATING

Underplate: 50m" Nickel

Contact area: 1m" Selective Gold

ELECTRICAL CHARACTERISTICS

Operation voltage: 250 VAC max.

Current rating: 3 Amps max.

Contact resistance: 15 mohms max.

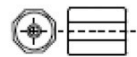
Insulation resistance: 3000 Mohms min @ 500 VDC

Dielectric withstanding voltage: 1000 VAC / minute

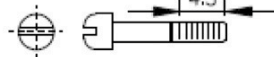
Operating temperature: -55°C TO +105°C

WIRE SPECIFICATION COUNT		
BLACK	M-F	3
BROWN	M-F	3
RED	M-F	3
ORANGE	M-F	3
YELLOW	M-F	3
GREEN	M-F	2
BLUE	M-F	2
VIOLET	M-F	2
GRAY	M-F	2
WHITE	M-F	2

PARTS OPTION



HEX NUT
(4.75x5.9mm)



SCREWS
(ø4.2x15.0mm)

DATE	DRAWN	SCALE	MATERIAL TYPE	
	APPROVED		REPLACES	
			25-way Male to 25-way Female	
			GA-2525-MF-M-K	
			DRAWING No 2111-0105-13	