

NISBETS **ESSENTIALS**

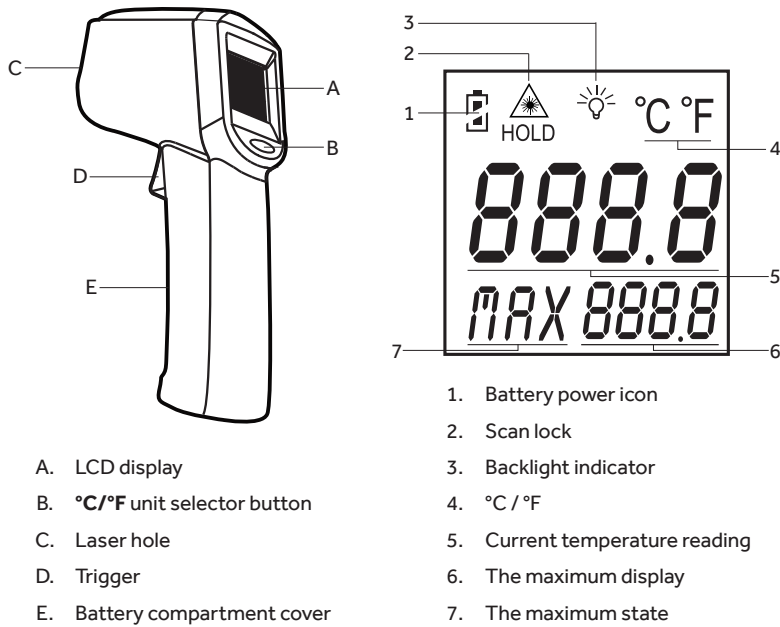
Mini Infrared Thermometer

Instruction manual



**Model:
DF673**

Function Diagram



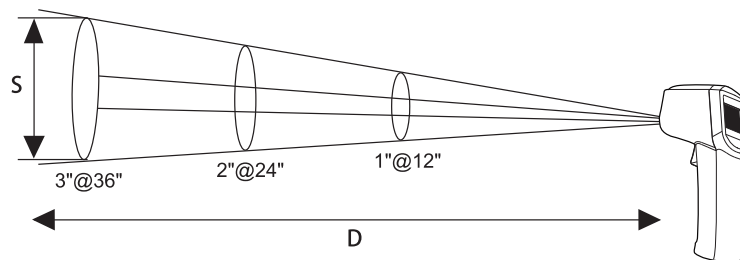
Operation

1. Remove the battery compartment cover. Install the batteries and replace the cover.
2. Press the trigger to turn on.
3. Aim at target and press the trigger for 1 second. Temperature reading will show once trigger is released.
4. To select between °C and °F, use selector button (°C/°F) on front of thermometer.
5. Thermometer will automatically turn off after being idle for 30 seconds.

Specifications

- Temperature range: -50°C to 520°C (-58°F to 968°F)
- Temperature Resolution: 0.1°C (0.2°F)
- Accuracy: ±2%
- Laser Wavelength: 635~650um, power ≤ 1mw
- Ideal Ambient Conditions for use: 0°C ~ 40°C, humidity ≤ 85%
- Storage Temperature: ≤ 60°C
- Power: 2x 1.5V (AAA battery)

Distance to Spot Ratio (12:1)

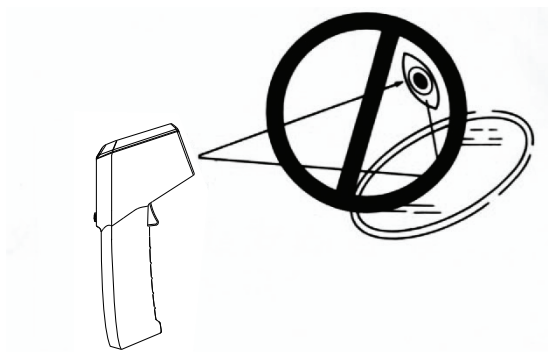


Cleaning, Care and Maintenance

- Lens cleaning – remove loose particles using clean compressed air, gently brush remaining debris away using soft clean brush.
- Clean the case with a damp cloth and warm water.



- **DO NOT USE SOLVENTS TO CLEAN LENS.**
- **DO NOT SUBMERGE THERMOMETER IN WATER.**
- **AVOID ELECTROMAGNETIC FIELDS SUCH AS INDUCTION COOKERS.**
- **DO NOT POINT LASER DIRECTLY OR INDIRECTLY TOWARDS EYE.**



Compliance

Dispose of depleted batteries in accordance with local regulations, within the EC there are nominated disposal points for batteries.

The WEEE logo on this product or its documentation indicates that the product must not be disposed of as household waste. To help prevent possible harm to human health and/or the environment, the product must be disposed of in an approved and environmentally safe recycling process. For further information on how to dispose of this product correctly, contact the product supplier, or the local authority responsible for waste disposal in your area.



Nisbets Essentials parts have undergone strict product testing in order to comply with regulatory standards and specifications set by international, independent, and federal authorities.

Nisbets Essentials products have been approved to carry the following symbol:



All rights reserved. No part of these instructions may be produced or transmitted in any form or by any means, electronic, mechanical, photocopying, recording or otherwise, without the prior written permission of Nisbets Essentials. Every effort is made to ensure all details are correct at the time of going to press, however, Nisbets Essentials reserve the right to change specifications without notice.

DECLARATION OF CONFORMITY

• Conformiteitsverklaring • Déclaration de conformité • Konformitätserklärung • Dichiarazione di conformità •
• Declaración de conformidad • Declaração de conformidade

Equipment Type • Uitrustingstype • Type d'équipement • Gerätetyp • Tipo di apparecchiatura • Tipo de equipo • Tipo de equipamento		Model • Modèle • Modell • Modello • Modelo • Malli
Mini Infrared Thermometer		DF673
Application of Territory Legislation & Council Directives(s) Toepassing van Europese Richtlijn(en) • Application de la/des directive(s) du Conseil • Anwendbare EU-Richtlinie(n) • Applicazione delle Direttive • Aplicación de la(s) directiva(s) del consejo • Aplicação de directiva(s) do Conselho	Electro-Magnetic Compatibility (EMC) Directive 2014/30/EU - recast of 2004/108/EC EN 61000-3-2:2014 EN 61000-3-3:2013 EN 61326-1:2013 EN 61000-4-2:2009 EN 61000-4-3:2006 +A1:2008 +A2:2010 EN 61000-4-4:2012 EN 61000-4-5:2014 EN 61000-4-6:2014 EN 61000-4-8:2010 EN61000-4-11:2004 Restriction of Hazardous Substances Directive (RoHS) 2015/863 amending Annex II to Directive 2011/65/EU	
Producer Name • Naam fabrikant • Nom du producteur • Name des Herstellers • Nome del produttore • Nombre del fabricante • Nome do fabricante		Nisbets Essentials

I, the undersigned, hereby declare that the equipment specified above conforms to the above Territory Legislation, Directive(s) and Standard(s).

Ik, de ondergetekende, verklaar hierbij dat de hierboven gespecificeerde uitrusting goedgekeurd is volgens de bovenstaande Richtlijn(en) en Standaard(en).

Je soussigné, confirme la conformité de l'équipement cité dans la présente à la / aux Directive(s) et Norme(s) ci-dessus
Ich, der/die Unterzeichnende, erkläre hiermit, dass das oben angegebene Gerät der/den oben angeführten Richtlinie(n) und Norm(en) entspricht.

Il sottoscritto dichiara che l'apparecchiatura di sopra specificata è conforme alle Direttive e agli Standard sopra riportati.

El abajo firmante declara por la presente que el equipo arriba especificado está en conformidad con la(s) directiva(s) y estándar(es) arriba mencionadas.

Eu, o abaixo-assinado, declaro que o equipamento anteriormente especificado está em conformidade com a(s) anterior(es) Directiva(s) e Norma(s)

Date • Data • Date • Datum • Data •
Fecha • Data
Signature • Handtekening • Signature
• Unterschrift Firma • Firma •
Assinatura

Full Name • Volledige naam • Nom et prénom • Vollständiger Name • Nome completo • Nombre completo • Nome por extenso

Position • Functie • Fonction • Position
• Qualifica • Posición • Função

Producer Address • Adres fabrikant • Adresse du producteur • Anschrift des Herstellers • Indirizzo del produttore • Dirección del fabricante • Morada do fabricante

23rd October 2020

DocuSigned by: <i>Ashley Hooper</i> B39382C9FD9C478...	DocuSigned by: <i>Eoghan Donnellan</i> D3528747FFAB460...	DocuSigned by: <i>Josie Holt</i> 3582E210C4054DA...
Ashley Hooper	Eoghan Donnellan	Josie Holt
Technical & Quality Manager	Commercial Manager/Importer	Commercial Manager/Responsible Supplier
Fourth Way, Avonmouth, Bristol, BS11 8TB United Kingdom	42 North Point Business Park New Mallow Road Cork Ireland	15 Bagdally Road, Campbelltown NSW 2560





UK	+44 (0)845 146 2887
Eire	
NL	040 – 2628080
FR	01 60 34 28 80
BE-NL	0800-29129
BE-FR	0800-29229
DE	0800 – 1860806
IT	N/A
ES	901-100 133
PT	vendas@nisbets.pt
AU	1300 225 960

NISBETS
ESSENTIALS



<http://www.nisbets.com/> 

DF673_EN_A5_v3_20201030