

## FEATURES

- Durable reinforced glass filled nylon
- Hollowed centre profile
- Moulded 5.3 mm diameter threaded bore
- M6 hexagon bolts inserted from above for easy installation
- Black cover caps included for a tidy finish

## RS PRO Matte Black Plastic Drawer Handle, 141mm

RS Stock No.: 456-501



RS Professionally Approved Products bring to you professional quality parts across all product categories. Our product range has been tested by engineers and provides a comparable quality to the leading brands without paying a premium price.

## Product Description

From RS Pro a pair of high-quality thermoplastic drawer handles also known as 'pull handles' or 'bridge handles'. These drawer handles are made from robust matte black reinforced glass filled nylon and have a hollowed centre profile. The handles feature a moulded, threaded bore with a 5.3 mm diameter. M6 hexagonal bolts are inserted from above into the threaded bore to provide a secure fitting to the drawer or door. The pre-threaded bores also make these drawer handles simple to install. Black cover caps are supplied with the handles to conceal the fixing heads for a neat finish

## General Specifications

<b>Material</b>	Plastic
<b>Finish</b>	Matte
<b>Colour</b>	Black
<b>Application</b>	Drawer handles can be used on both cabinet draws and cupboard doors

## Mechanical Specifications

<b>Length</b>	141mm
<b>Height</b>	28mm
<b>Width</b>	24mm
<b>Fixing Centres</b>	120mm
<b>Thread Type</b>	5.3mm/M6

## Approvals

<b>Compliance/Certifications</b>	2011/65/EU and 2015/863
----------------------------------	-------------------------

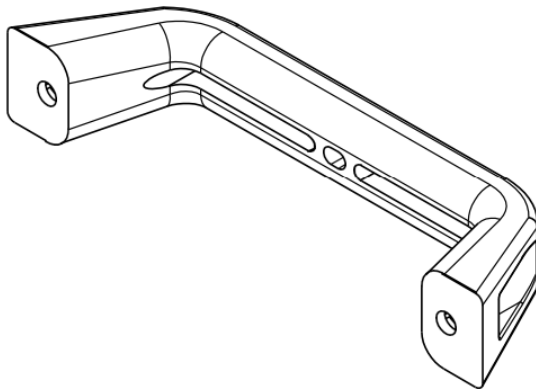
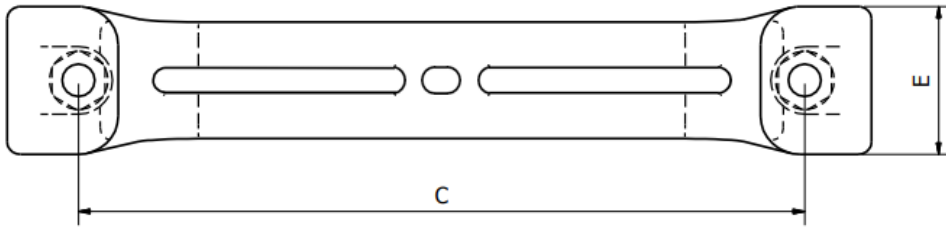


TABLE						
RS Part No	A	B	C	D	E	Bore Size
456501	141	38	120	26	24	5.3

