

NOTES:

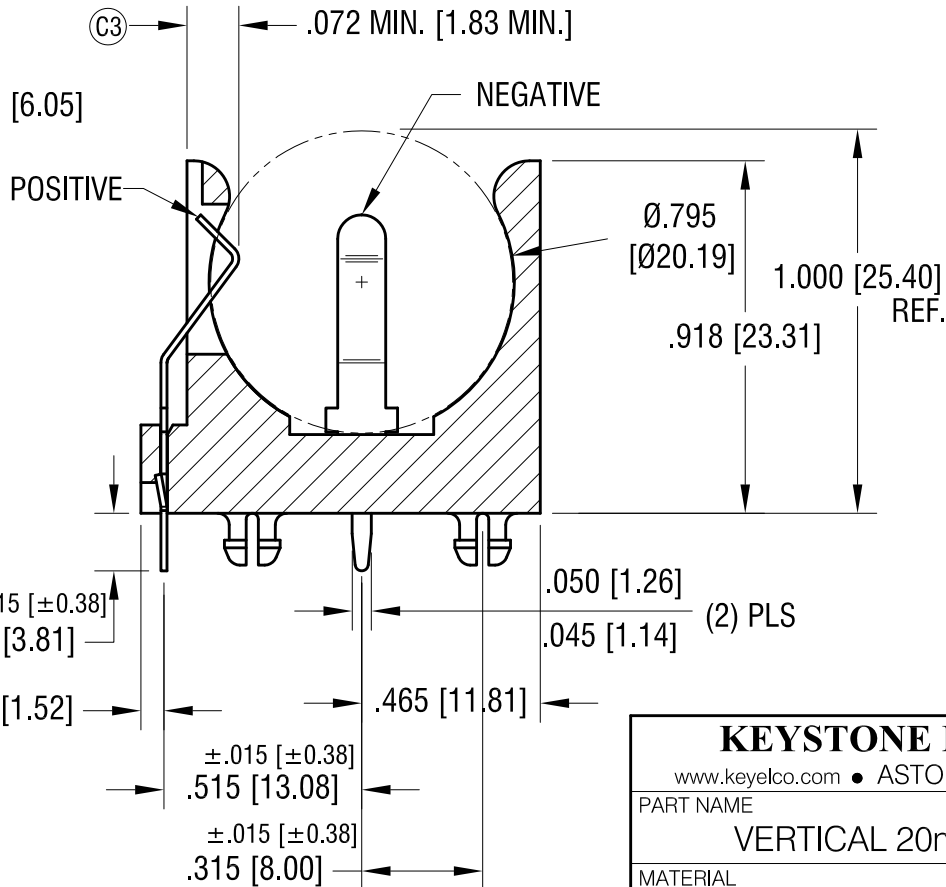
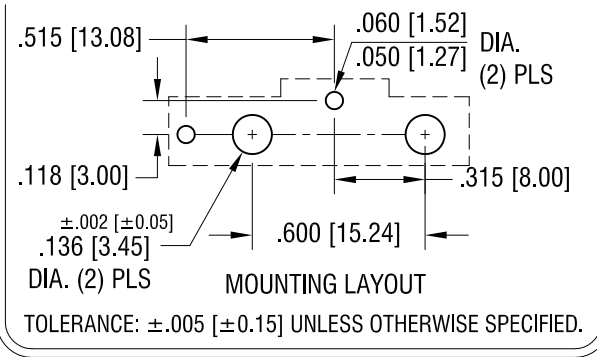
1. BASE:

MAT'L - PBT (UL 94V-0) BLACK

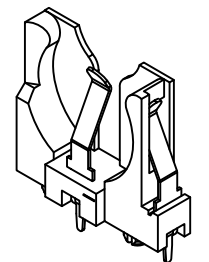
CONTACTS:

MAT'L - .016 [0.40] TH'K STAINLESS STEEL

FINISH - TIN NICKEL PLATE.



ACTUAL SIZE



DATE	DESCRIPTION	REV.
7.6.98	CHANGE AS PER ECR 98-038	A
4.19.12	CHANGE AS PER ECN 10-051 ADD CONTACT LOCATION DIMENSIONS	B
8.02.13	CHANGE AS PER ECN 13-063 ADD C1, C2, C3 DIMENSIONS CONTACT MT'L WAS SPRING STEEL	C

KEYSTONE ELECTRONICS CORP.			
www.keyelco.com • ASTORIA, N.Y. 11105-2017 • Tel (718) 956-8900			
PART NAME VERTICAL 20mm COIN CELL HOLDER			
MATERIAL AS NOTED			
FINISH AS NOTED		DRN BY BOONE	DATE 5.6.98
		APPD LN	SCALE 2X
TOLERANCES	INCH [MM]	CODE	DWG NO.
DECIMAL	± .010 [± 0.25]	C	1065
ANGULAR	± 1°		
UNLESS OTHERWISE SPECIFIED			

THIS DOCUMENT IS THE PROPERTY OF KEYSTONE ELECTRONICS CORP. AND SHALL NOT BE REPRODUCED, DISTRIBUTED OR USED AS A BASIS FOR MANUFACTURE WITHOUT PRIOR WRITTEN PERMISSION FROM KEYSTONE ELECTRONICS CORP.