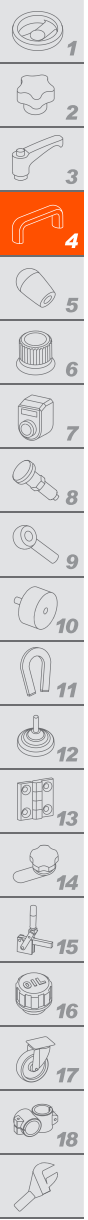


# GN 425.1 | Double-curved handles

Steel, stainless steel, aluminium



## STANDARD EXECUTIONS

- **GN 425.1-CR:** round cross section bar, chrome-plated steel. Threaded blind holes.
- **GN 425.1-NI:** round cross section bar, AISI 303 stainless steel (only for  $d_1 = 8 - 10$ ). Round cross section bar, AISI 304 stainless steel ( $d_1 = 12$ ). Sandblasted matte finish. Threaded blind holes.
- **GN 425.1-A4:** round cross section bar, AISI 316L stainless steel, sandblasted matte finish. Threaded blind holes.
- **GN 425.1-AL-EL:** round cross section bar, anodised aluminium, natural colour. Threaded blind holes.
- **GN 425.1-AL-SW:** round cross section bar, aluminium, epoxy resin coating, RAL 9005 black colour, matte finish. Threaded blind holes.

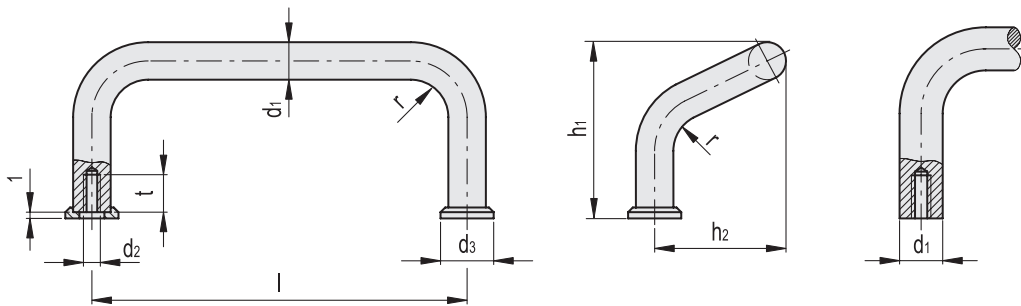
## SPECIAL EXECUTIONS ON REQUEST

- Different lengths.
- Epoxy resin coating in different colours.



GN 425.1 ( $d_1 = 8 - 10$ )

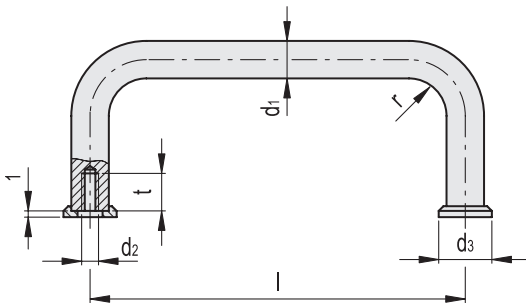
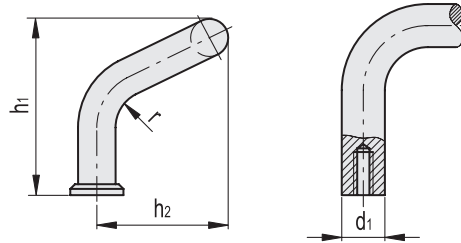
GN 425.1 ( $d_1 = 12$ )



## GN 425.1-CR

Code	Description	d1	l±0.25	d2	d3	h1	h2	r	tmin	⚖️
GN.26702	GN 425.1-8-55-CR#	8	55	M4	12	40	30	9	8	56
GN.26703	GN 425.1-8-64-CR	8	64	M4	12	40	30	9	8	62
GN.26704	GN 425.1-8-88-CR#	8	88	M4	12	40	30	9	8	70
GN.26706	GN 425.1-8-96-CR	8	96	M4	12	40	30	9	8	74
GN.26707	GN 425.1-8-100-CR	8	100	M4	12	40	30	9	8	76
GN.26701	GN 425.1-10-88-CR#	10	88	M5	15	47	35	11	12	113
GN.26705	GN 425.1-10-100-CR	10	100	M5	15	47	35	11	12	120
GN.26711	GN 425.1-10-120-CR#	10	120	M5	15	47	35	11	12	132
GN.26709	GN 425.1-10-180-CR	10	180	M5	15	47	35	11	12	175
GN.26710	GN 425.1-10-200-CR	10	200	M5	15	47	35	11	12	187
GN.26689	GN 425.1-12-160-CR	12	160	M6	-	60	44	12	12	90
GN.26690	GN 425.1-12-200-CR	12	200	M6	-	60	44	12	12	102

Lift & Pull handles

GN 425.1 (d<sub>1</sub> = 8 - 10)GN 425.1 (d<sub>1</sub> = 12)

## GN 425.1-A4

INOX STAINLESS STEEL

Code	Description	d <sub>1</sub>	±0.25	d <sub>2</sub>	d <sub>3</sub>	h <sub>1</sub>	h <sub>2</sub>	r	t <sub>min</sub>	⚖
GN.26912	GN 425.1-A4-10-88-GS#	10	88	M5	15	47	35	11	12	119
GN.26914	GN 425.1-A4-10-100-GS	10	100	M5	15	47	35	11	12	127
GN.26916	GN 425.1-A4-10-120-GS#	10	120	M5	15	47	35	11	12	139
GN.26918	GN 425.1-A4-10-180-GS	10	180	M5	15	47	35	11	12	180
GN.26920	GN 425.1-A4-10-200-GS	10	200	M5	15	47	35	11	12	170

## GN 425.1-NI

INOX STAINLESS STEEL

Code	Description	d <sub>1</sub>	±0.25	d <sub>2</sub>	d <sub>3</sub>	h <sub>1</sub>	h <sub>2</sub>	r	t <sub>min</sub>	⚖
GN.26861	GN 425.1-NI-8-55-GS#	8	55	M4	12	40	30	9	8	54
GN.26862	GN 425.1-NI-8-64-GS	8	64	M4	12	40	30	9	8	60
GN.26863	GN 425.1-NI-8-88-GS#	8	88	M4	12	40	30	9	8	70
GN.26864	GN 425.1-NI-8-96-GS	8	96	M4	12	40	30	9	8	100
GN.26865	GN 425.1-NI-8-100-GS	8	100	M4	12	40	30	9	8	113
GN.26871	GN 425.1-NI-10-88-GS#	10	88	M5	15	47	35	11	12	113
GN.26873	GN 425.1-NI-10-100-GS	10	100	M5	15	47	35	11	12	121
GN.26875	GN 425.1-NI-10-120-GS#	10	120	M5	15	47	35	11	12	137
GN.26877	GN 425.1-NI-10-180-GS	10	180	M5	15	47	35	11	12	196
GN.26879	GN 425.1-NI-10-200-GS	10	200	M5	15	47	35	11	12	189
GN.26878	GN 425.1-NI-12-160-GS	12	160	M6	-	60	44	12	12	90
GN.26880	GN 425.1-NI-12-200-GS	12	200	M6	-	60	44	12	12	102

## GN 425.1-AL-EL

## GN 425.1-AL-SW

Code	Description	Code	Description	d <sub>1</sub>	±0.25	d <sub>2</sub>	d <sub>3</sub>	h <sub>1</sub>	h <sub>2</sub>	r	t <sub>min</sub>	⚖
GN.26930	GN 425.1-AL-8-55-EL#	GN.26932	GN 425.1-AL-8-55-SW#	8	55	M4	12	40	30	9	8	50
GN.26933	GN 425.1-AL-8-64-EL	GN.26934	GN 425.1-AL-8-64-SW	8	64	M4	12	40	30	9	8	27
GN.26929	GN 425.1-AL-8-88-EL#	GN.26935	GN 425.1-AL-8-88-SW#	8	88	M4	12	40	30	9	8	28
GN.26936	GN 425.1-AL-8-96-EL	GN.26937	GN 425.1-AL-8-96-SW	8	96	M4	12	40	30	9	8	27
GN.26938	GN 425.1-AL-8-100-EL	GN.26939	GN 425.1-AL-8-100-SW	8	100	M4	12	40	30	9	8	29
GN.26949	GN 425.1-AL-10-88-EL#	GN.26950	GN 425.1-AL-10-88-SW#	10	88	M5	15	47	35	11	12	44
GN.26940	GN 425.1-AL-10-100-EL	GN.26942	GN 425.1-AL-10-100-SW	10	100	M5	15	47	35	11	12	47
GN.26943	GN 425.1-AL-10-120-EL#	GN.26944	GN 425.1-AL-10-120-SW#	10	120	M5	15	47	35	11	12	52
GN.26945	GN 425.1-AL-10-180-EL	GN.26946	GN 425.1-AL-10-180-SW	10	180	M5	15	47	35	11	12	63
GN.26947	GN 425.1-AL-10-200-EL	GN.26948	GN 425.1-AL-10-200-SW	10	200	M5	15	47	35	11	12	68
GN.26955	GN 425.1-AL-12-160-EL	GN.26956	GN 425.1-AL-12-160-SW	12	160	M6	-	60	44	12	12	90
GN.26957	GN 425.1-AL-12-200-EL	GN.26958	GN 425.1-AL-12-200-SW	12	200	M6	-	60	44	12	12	102

# Suitable for use on rack 19' and instruments in general.