

# TPC. | Oil fill plugs

for push-fit, technopolymer

# TPC+a | Oil fill plugs

with flat dipstick for push-fit, technopolymer

- 1
- 2
- 3
- 4
- 5
- 6
- 7
- 8
- 9
- 10
- 11
- 12
- 13
- 14
- 15
- 16
- 17
- 18

**MATERIAL**  
High-resilience polypropylene based (PP) technopolymer, black colour, matte finish.

**PACKING RINGS**  
Two NBR synthetic rubber O-rings.

**STANDARD EXECUTIONS**  
- **TPC.:** without side hole.  
- **TPCF.:** with side breather hole.

**MAXIMUM CONTINUOUS WORKING TEMPERATURE**  
100°C.

**GRAPHIC SYMBOL "FILL"**  
According to DIN regulations.

**MATERIAL**  
High-resilience polypropylene based (PP) technopolymer, black colour, matte finish.

**PACKING RINGS**  
Two NBR synthetic rubber O-rings.

**FLAT DIPSTICK**  
Flat section phosphatised steel.  
On request and for sufficient quantities dipstick can be supplied in different lengths and/or complete with MAX-MIN level lines.

**STANDARD EXECUTIONS**  
- **TPC+a:** without side hole.  
- **TPCF+a:** with side breather hole.

**MAXIMUM CONTINUOUS WORKING TEMPERATURE**  
100°C.

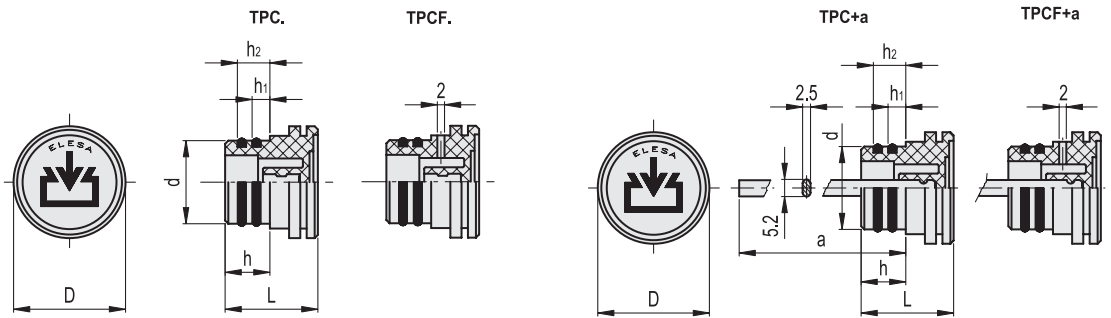
**GRAPHIC SYMBOL "FILL"**  
According to DIN regulations.



ELESA Original design



ELESA Original design



**TPC.**

Code	Description	d+0.2	h	D	L	h1	h2	⚖
59861	TPC.20	20	14	30	29	6.5	10.5	8
59881	TPC.26	26	14	35	29.5	6.5	10.5	15

**TPCF.**

Code	Description	d+0.2	h	D	L	h1	h2	⚖
59901	TPCF.20	20	14	30	29	6.5	10.5	8
59921	TPCF.26	26	14	35	29.5	6.5	10.5	15

**TPC+a**

Code	Description	d+0.2	h	D	L	h1	h2	a	⚖
59865	TPC.20+a	20	14	30	29	6.5	10.5	188	27
59885	TPC.26+a	26	14	35	29.5	6.5	10.5	188	35

**TPCF+a**

Code	Description	d+0.2	h	D	L	h1	h2	a	⚖
59905	TPCF.20+a	20	14	30	29	6.5	10.5	188	27
59925	TPCF.26+a	26	14	35	29.5	6.5	10.5	188	35

Accessories for hydraulic systems