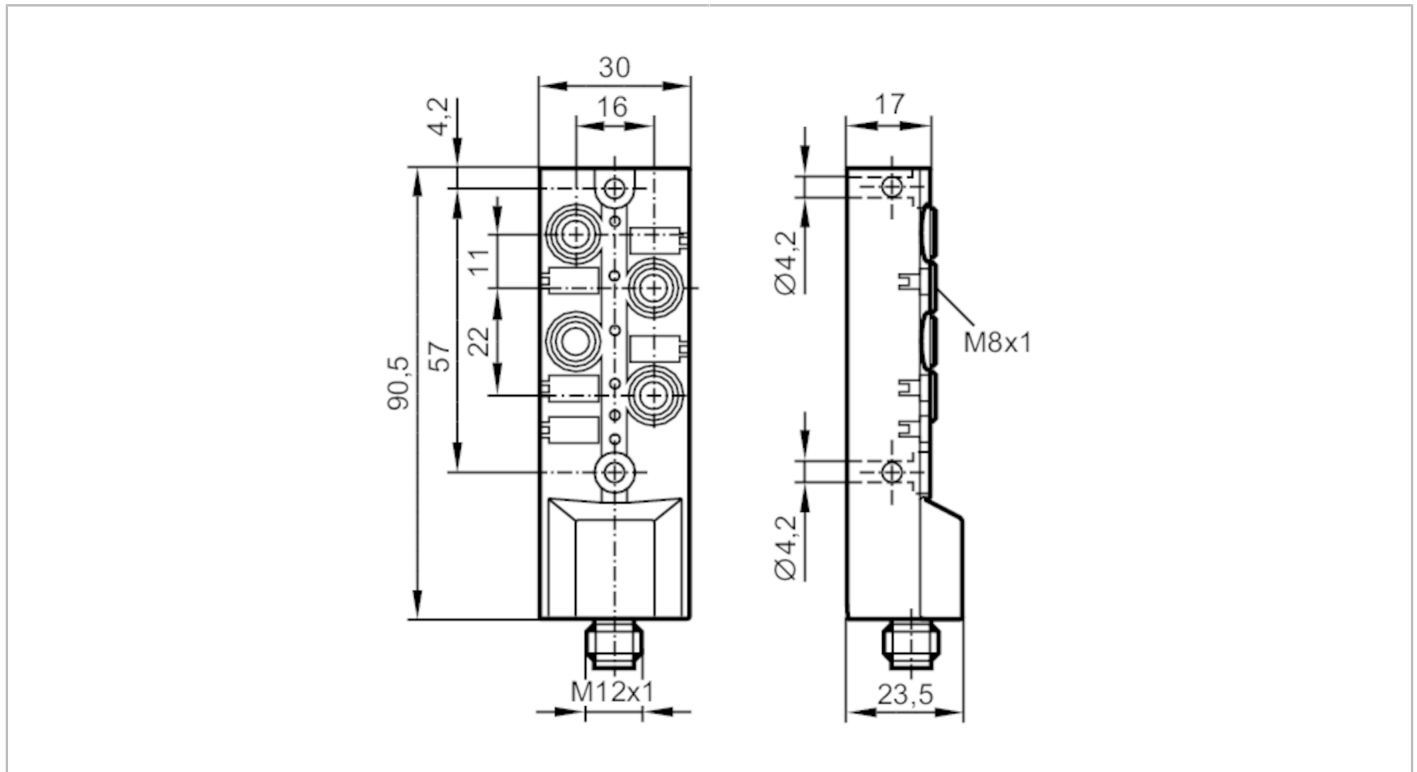


AC2482



AS-Interface CompactLine module

CompactM8 2DI 2DO



Electrical data	
Operating voltage [V]	26.5...31.6 DC; ("supply class 2" to cULus)
Max. current consumption from AS-i [mA]	230
Max. current load total [A]	0.18
Integrated watchdog	yes
Inputs / outputs	
Number of inputs and outputs	Number of digital inputs: 2; Number of digital outputs: 2
Inputs	
Number of digital inputs	2
Input circuit of digital inputs	PNP
Sensor supply of the inputs	AS-i
Voltage supply [V]	18...30
Max. total current rating of inputs [mA]	180; (current load for all inputs and outputs: 180 mA)
Min. switching level high signal [V]	11
Digital inputs protected against short circuits	yes



AS-Interface CompactLine module

CompactM8 2DI 2DO

Outputs						
Number of digital outputs	2					
Voltage range DC [V]	18...30					
Max. current load per output [mA]	180; (current load for all inputs and outputs: 180 mA)					
Short-circuit proof	yes					
Electrically separated	no					
Actuator supply switching outputs	AS-i					
Operating conditions						
Ambient temperature [°C]	-25...60					
Protection	IP 65; IP 67; IP 68; ("enclosure type 1" according to cULus)					
Tests / approvals						
EMC	EN 50295 IEC 61000-6-2					
AS-i classification						
AS-i version	2.11 + 3.0					
Extended addressing mode possible	yes					
AS-i profile	S-B.A.E					
AS-i I/O configuration [hex]	B					
AS-i ID code [hex]	A.E					
AS-i certificate	100901					
Assignment of the data bits	data bit	D0	D1	D2	D3	
	input	-	-	3	4	
	socket	-	-	I-3	I-4	
	pin	-	-	4	4	
	Output	1	2	-	-	
	socket	O-1	O-2	-	-	
Assignment of the parameter bits	pin	4	4	-	-	
	parameter bit	Designation				
	P0	not used				
	P1	peripheral fault indication	: 1	activated	/ 0	deactivated
	P2	not used				
P3	not used					
Mechanical data						
Weight [g]	111					
Type of mounting	backplane mounting					
Materials	PBT					
Displays / operating elements						
Display	switching status	LED, yellow				
	operation	LED, green				
	errors	LED, red				



AS-Interface CompactLine module

CompactM8 2DI 2DO

Accessories	
Accessories (supplied)	Label tags
	Protective caps: 2
Accessories (optional)	Protective cap: M8, E73005
	Flat cable insulation displacement connector 1m , round cable, E70582
	Flat cable insulation displacement connector: M12, E70096
	DIN rail adapter, E73006

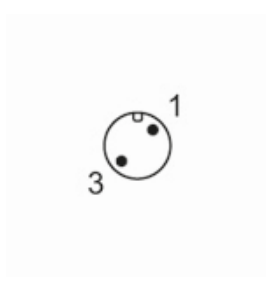
Remarks	
Pack quantity	1 pcs.

Electrical connection

Electrical connection - AS-i

- 1 AS-i +
- 3 AS-i -

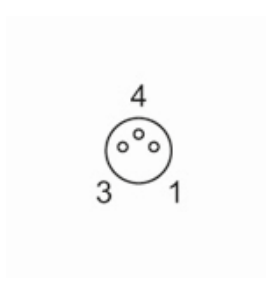
Connector: 1 x M12



Electrical connection - Inputs

- | | Inputs |
|---|------------------|
| 1 | Sensor supply L+ |
| 3 | Sensor supply L- |
| 4 | data input |

Connector: 2 x M8



Electrical connection - Outputs

- | | Outputs |
|---|---------------------|
| 1 | not used |
| 3 | internal voltage E- |
| 4 | switching output + |

Connector: 2 x M8

AC2482



AS-Interface CompactLine module

CompactM8 2DI 2DO

