

MOTOR SUPPRESSOR

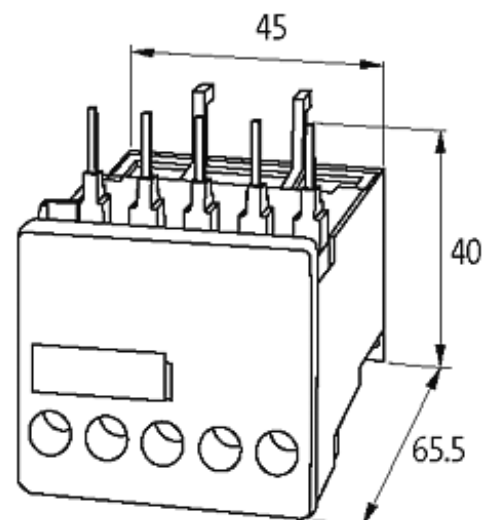
RC, 3x575VAC/5,5kW

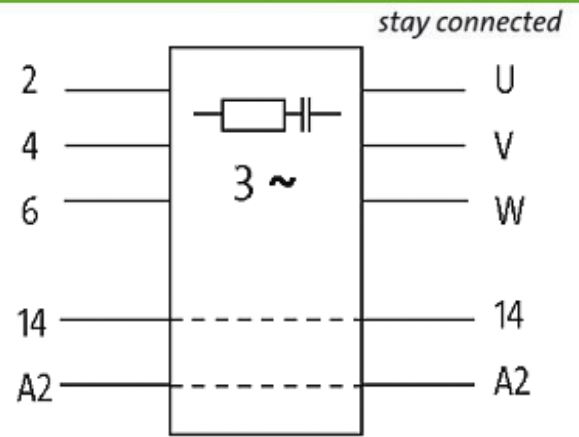
3 × 575 V AC
RC

Suppressors for other voltages, frequencies, and motor ratings available on request. Do not use RC motor suppressors with frequency inverters.

[Link to Product](#)

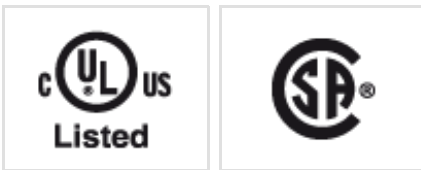
Illustration





Product may differ from Image

Approvals



Appropriate contactors

Siemens 3 RT 10, 3 RT 20 screw terminal

Technical Data

Operating frequency	50...60 Hz
Material	Flame retardant plastic acc. to (UL 94)

General data

Connection	fits directly into SIRIUS contactors, size 00
Temperature range	-20...+60 °C
Dimensions H × W × D	40×45×65.5 mm

Commercial data

country of origin	CZ
customs tariff number	85363010
minimum order quantity	1