

**M12 MALE 90° SHIELDED**

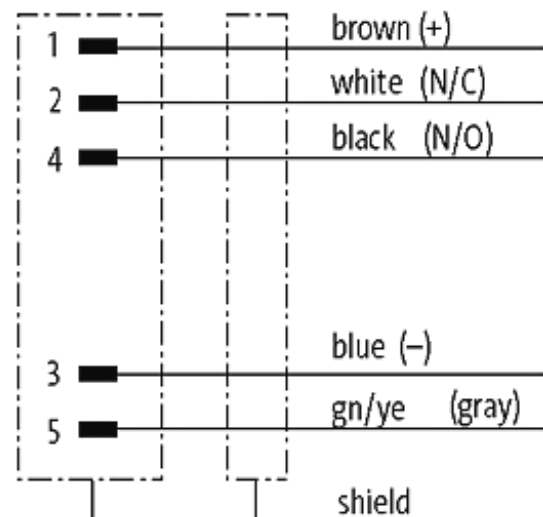
PVC 5X0.34 shielded black UL,CSA 15m

M12

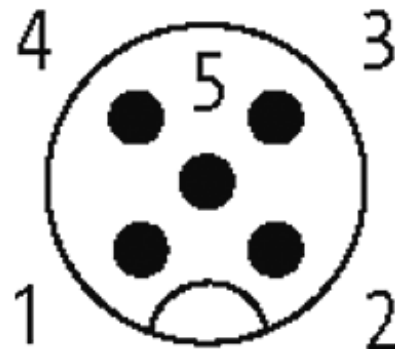
Male 90°

5-pole, shielded

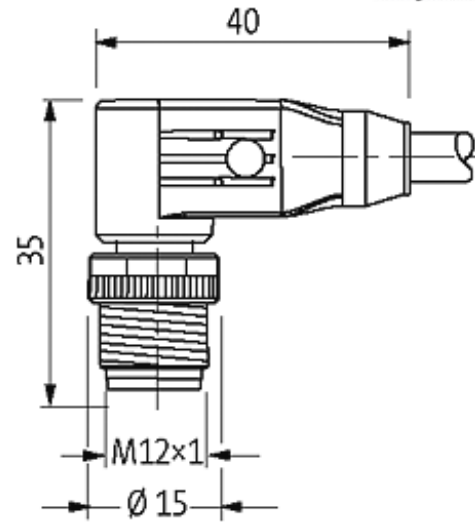
Plastic housings with good resistance against chemicals and oils. The resistance to aggressive media should be individually tested for your application. Further details on request. Further cable lengths on request.

[Link to Product](#)**Illustration**

Male



*stay connected*



Product may differ from Image