



Model Number

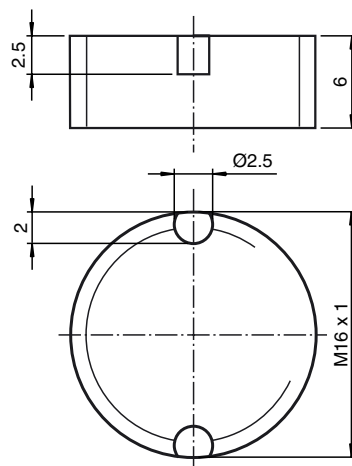
IQC35-16GK

Data carrier

Features

- Operating frequency 13.56 MHz
- Conforms to ISO 15693
- 64 bit Fixcode
- 1280 bits memory available
- Degree of protection IP68

Dimensions



Technical data

General specifications

Operating frequency	13.56 MHz
Transfer rate	26 kBit/s

Memory

Chip Type	ICODE SLI-S (NXP)
Type/Size	EEPROM 1280 Bit , fixcode 64 Bit
Read cycles	unlimited
Write cycles	> 100000
Data retention period	10 years

Directive conformity

Radio and telecommunication terminal equipment	
Directive 2014/53/EU	EN 300330-2:2015 V1.6.1

Standard conformity

Degree of protection	EN 60529:2000
RFID	ISO/IEC 15693-1:2010 , ISO/IEC 15693-2:2006 , ISO/IEC 15693-3:2009 , ISO/IEC 18000-3:2010

Ambient conditions

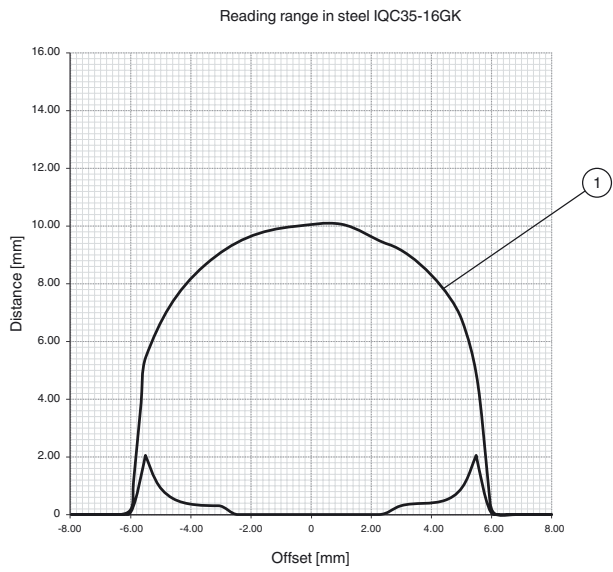
Ambient temperature	-25 ... 85 °C (-13 ... 185 °F)
Storage temperature	-25 ... 85 °C (-13 ... 185 °F)

Mechanical specifications

Degree of protection	IP68
Material	
Housing	Epoxy (black)
Mass	≤ 1 g

Read/write distances

- ① IQH1-18GM-V1 ② IQH1-F61-V1 ③ IQH1-FP-V1
- ④ IQH1-F15-V1



Release date: 2016-07-19 11:45 Date of issue: 2016-07-19 254074_eng.xml